

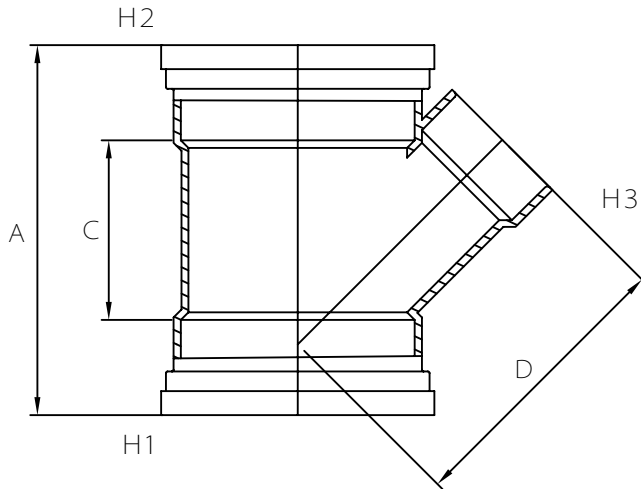


MULTI FITTINGS

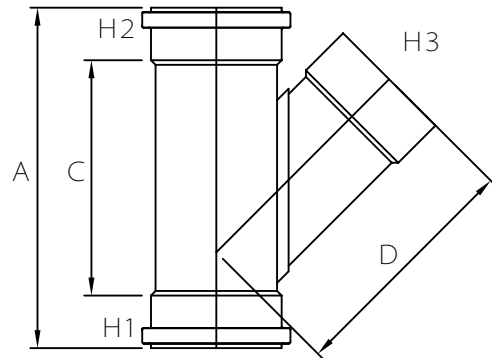
LAYING LENGTH

ISSUE DATE: OCT 30/17
SUPERCEDES: SEPT 14/07

45 ° WYE (GxGxSCH40 H)



INJECTION MOLDED FITTING (M)



FABRICATED FITTING (F)

	SIZE H1xH2xH3	PART NUMBER	A REF	C REF	D REF
M =	8x8x4	067020	16.000	9.250	10.875
F	8x8x6	067021	-	-	-
F @	10x10x4	067043	36.000	-	16.000
F	10x10x6	067163	-	-	-
F	12x12x4	067044	-	-	-
F @	12x12x6	067045	-	-	-
F	15x15x4	067056	-	-	-
F @	15x15x6	067051	39.000	-	21.000

Note: = Refer to Page HW4 for Hub Detail, Type A
 = Refer to Page HW4 - 2 for SCH40 Hub Detail
 @ Refer to Page HW5 for Hub Detail, Fabricated