

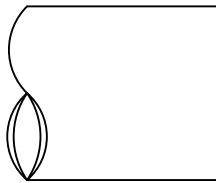
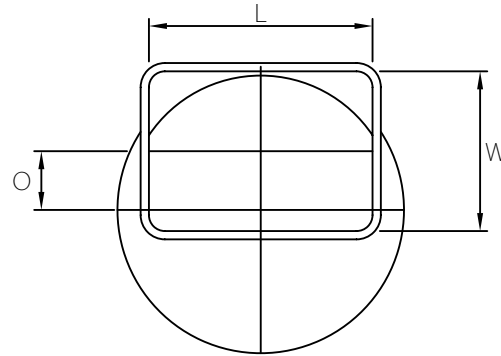


MULTI FITTINGS

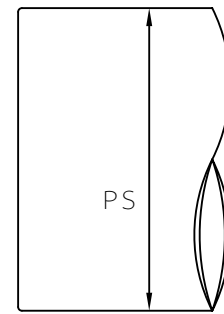
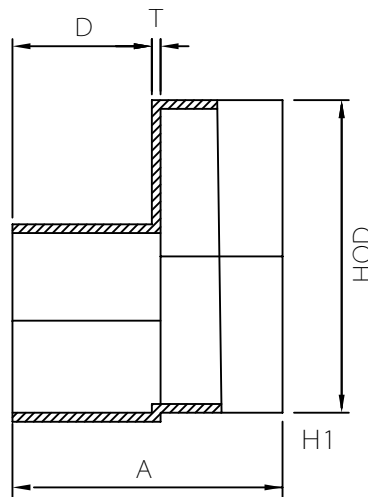
LAYING LENGTH

ISSUE DATE: NOV 15/17
SUPERCEDES: MAY 10/05

OFFSET DOWN SPOUT ADAPTER



DOWN SPOUT



SPIGOT

INJECTION MOLDED FITTING (M)

	SIZE WxLxH1	PART NUMBER	O REF	W REF	L REF	D REF	T REF
M	2x3x4	040765	0.920	2.500	3.500	2.000	0.125
M	3x4x4	040767	0.421	3.500	4.500	2.000	0.125
M	4x6x6	040766	1.100	4.250	6.250	2.000	0.180

PS
4.215
4.215
6.275

SIZE WxLxH1	PART NUMBER	A REF	HOD REF
2x3x4	040765	3.875	4.500
3x4x4	040767	3.875	4.500
4x6x6	040766	5.180	6.625