

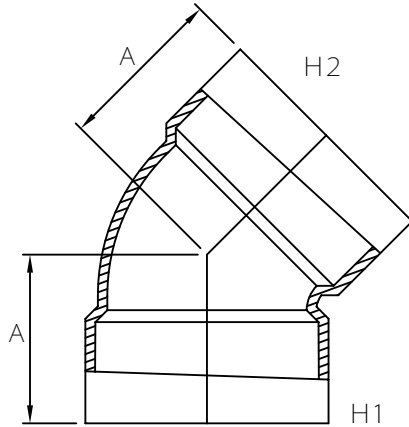


MULTI FITTINGS

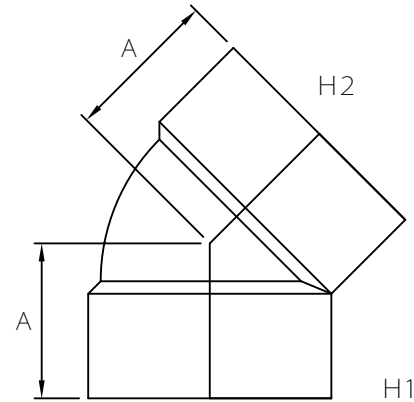
LAYING LENGTH

ISSUE DATE: 2018 02 07
SUPERCEDES: 2005 06 30

45 ° ELBOW (HxH) (1/8 BEND)



INJECTION MOLDED FITTING (M)



FABRICATED FITTING (F)

	SIZE H1xH2	PART NUMBER	A REF
M	4x4	026472	3.875
M	6x6	026101	5.000
M	6x6	226030	5.000
M	8x8	026102	6.000
M	8x8	226032	6.000
M	10x10	026170	8.000
M	12x12	026188	9.500
F	14x14	294612	10.25
F	16x16	294616	11.75
F	18x18	294620	13.25
F	20x20	294624	14.50
F	24x24	294628	17.50

NOTE: Refer to Page LPD5 for Molded hub detail
Refer to Page LPD5 - 1 for Fabricated hub detail