

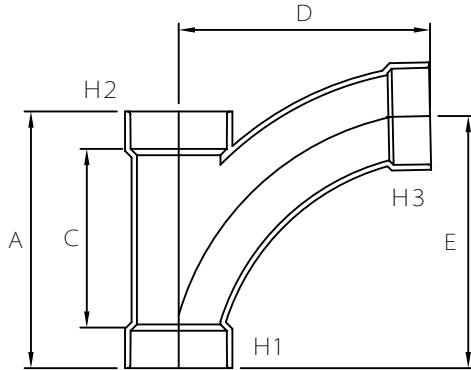


MULTI FITTINGS

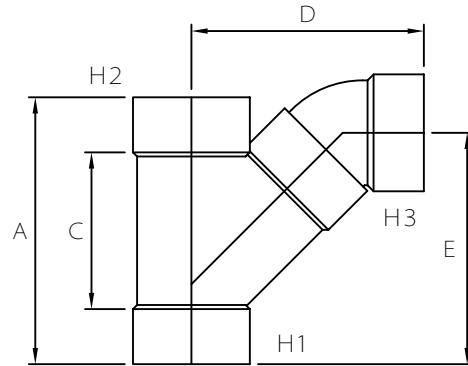
LAYING LENGTH

ISSUE DATE: 2018 02 07
SUPERCEDES: 2005 06 30

COMBO WYE (HxHxH)



INJECTION MOLDED FITTING



FABRICATED FITTING

	SIZE H1xH2xH3	PART NUMBER	A REF	C REF	D REF	E REF
M	4x4x4	026475	11.500	8.500	10.000	13.000
F	6x6x4	026407	13.000	-	12.000	11.500
F	6x6x6	026609	-	-	-	-
F	8x8x4	026610	16.000	-	13.000	13.000
F	8x8x6	026611	18.500	-	16.000	15.500
F	8x8x8	026612	22.000	-	19.000	19.000
F	10x10x4	295469	21.25	11.25	16.75	18.75
F	10x10x6	295470	24.25	14.25	18.50	20.75
F	10x10x8	295471	27.00	17.00	20.25	22.50
F	10x10x10	295458	30.00	20.00	22.00	24.25
F	12x12x4	295472	23.50	11.50	18.75	21.00
F	12x12x6	295473	26.75	14.75	20.75	23.00
F	12x12x8	295474	29.50	17.50	22.50	24.75
F	12x12x10	295475	32.50	20.50	24.50	26.75
F	12x12x12	295459	35.25	23.25	26.00	28.25
F	14x14x4	295476	25.75	11.75	20.50	23.25
F	14x14x6	295477	28.75	14.75	22.50	25.25
F	14x14x8	295478	31.50	17.50	24.25	27.00
F	14x14x10	295479	34.50	20.50	26.00	28.75
F	14x14x12	295480	37.50	23.50	28.00	30.75
F	14x14x14	295460	39.25	25.25	29.50	31.75
F	16x16x4	295481	28.25	12.25	25.00	26.00
F	16x16x6	295482	31.25	15.25	24.75	27.75
F	16x16x8	295483	34.00	18.00	26.50	29.50
F	16x16x10	295484	37.00	21.00	28.25	31.50
F	16x16x12	295485	40.00	24.00	30.25	33.25
F	16x16x14	295486	41.75	25.75	31.75	34.50
F	16x16x16	295461	44.50	28.50	33.50	36.00

NOTE: Refer to Page LPD5 for Molded hub detail
Refer to Page LPD5 - 1 for Fabricated hub detail