

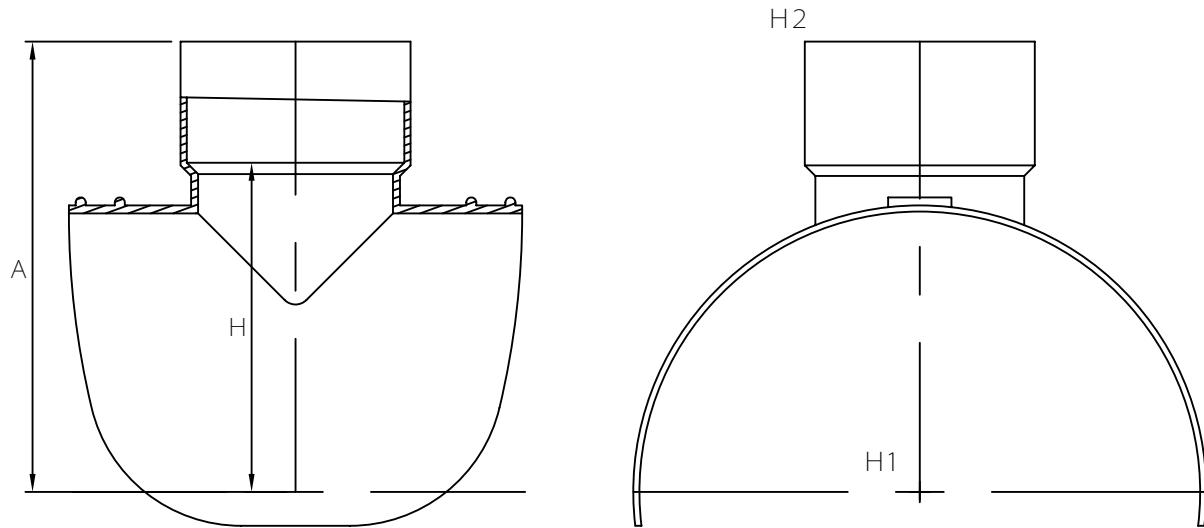


MULTI FITTINGS

LAYING LENGTH

ISSUE DATE: NOV 15/17
SUPERCEDES: MAY 10/05

SADDLE TEE SW SKIRT x SW HUB



INJECTION MOLDED FITTING (M)

	SIZE H1xH2	PART NUMBER	A REF	H REF
P	6x4	040775	-	-
M	8x4	040776	6.125	4.375
M	8x6	040779	7.250	4.250
F	10x4	040055	-	-
F	10x6	040081	-	-
F	10x8	040098	-	-
P	12x4	040804	-	-
F	12x6	040841	-	-
F	12x8	040840	-	-
P	12x10	040097	-	-
P	15x6	040914	-	-