

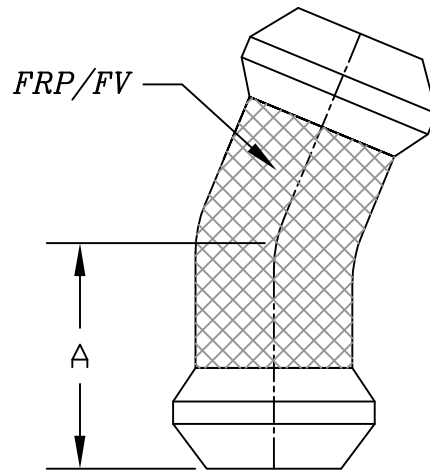
CSA B137.3

PVC I.P.S. SERIES PIPE FITTINGS  
RACCORDS PVC TUYAU I.P.S. SERIES

22.5° ELBOW G X G  
COUDE 22.5° G X G

ISSUE DATE: 2003 01 10  
DATE D'EMISSION:

SUPERSEDES: 2002 05 24  
REPLACE:



ALL DIMENSIONS HAVE A TOLERANCE OF  $\pm 25\text{mm}(1.0\text{'})$

CODE	Size Grosueur	A Ref.
055053 SDR21	50mm (2.0")	114mm (4.50")
055054 SDR21	75mm (3.0")	140mm (5.50")
057064 SDR26	50mm (2.0")	114mm (4.50")
057065 SDR26	63.50mm (2.50")	127mm (5.0")
057066 SDR26	75mm (3.0")	140mm (5.50")