

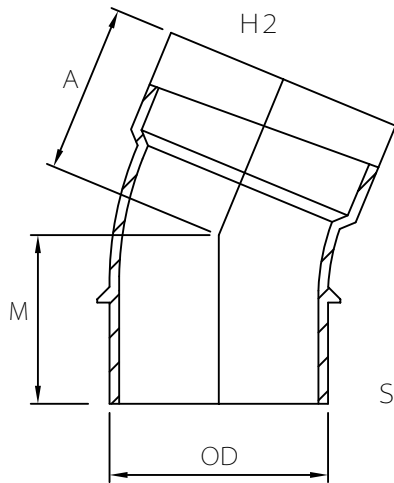


MULTI FITTINGS

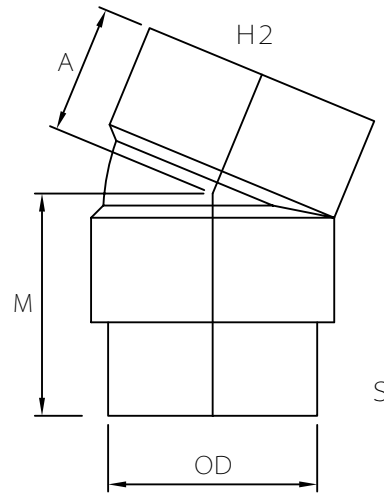
LAYING LENGTH

ISSUE DATE: 2018 02 07
SUPERCEDES: 2005 06 30

22 1/2° ELBOW (SXH) (1/16 BEND)



INJECTION MOLDED FITTING (M)



FABRICATED FITTING (F)

	SIZE SxH2	PART NUMBER	A REF	M REF	OD
M	4x4	026068	2.750	2.875	4.500
P	6x6	026461	-	-	6.625
F	8x8	294517	4.75	8.75	8.625
F	10x10	294521	5.75	10.75	10.750
F	12x12	294525	7.00	13.00	12.750
F	14x14	294529	8.00	15.00	14.000
F	16x16	294533	9.25	17.25	16.000
F	18x18	294537	10.25	19.25	18.000
F	20x20	294541	11.50	21.50	20.000
F	24x24	294545	13.75	25.75	24.000

NOTE: Refer to Page LPD5 for Molded hub detail
Refer to Page LPD5 - 1 for Fabricated hub detail