

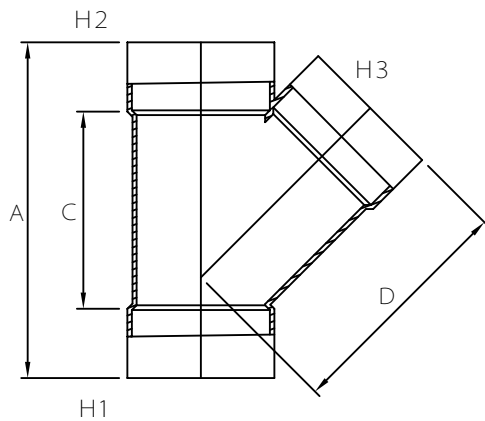


MULTI FITTINGS

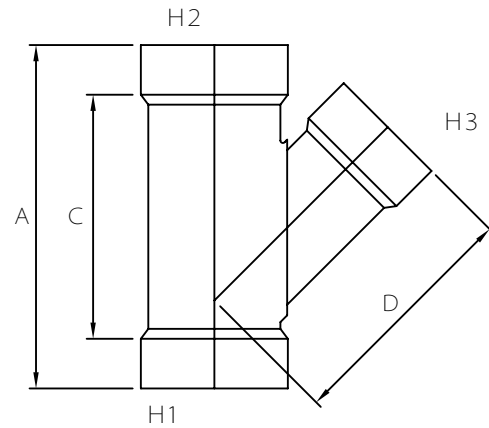
LAYING LENGTH

ISSUE DATE: 2018 02 07
SUPERCEDES: 2005 06 30

45 ° WYE (HxHxH)



INJECTION MOLDED FITTING (M)



FABRICATED FITTING (F)

	SIZE H1xH2xH3	PART NUMBER	A REF	C REF	D REF
M	4x4x4	026474	9.875	6.375	7.500
M	6x6x4	026097	12.875	6.875	9.250
M	6x6x4	226044	12.875	6.875	9.250
M	6x6x6	026092	16.125	10.125	11.500
M	6x6x6	226053	16.125	10.125	11.500
M	8x8x4	026093	16.000	8.000	10.375
M	8x8x6	026095	18.500	10.500	12.750
M	8x8x6	226045	18.500	10.500	12.750
M	8x8x8	026094	22.125	14.125	15.750
M	8x8x8	226054	22.125	14.125	15.750
F	10x10x4	295196	21.25	11.25	15.25
F	10x10x6	295199	24.25	14.25	18.25
F	10x10x8	295201	27.00	17.00	20.50
P	10x10x10	026303	-	-	-
F	12x12x4	295203	23.50	11.50	16.75
P	12x12x6	026374	-	-	-
F	12x12x8	295208	29.50	17.50	22.00
F	12x12x10	295210	32.50	20.50	25.00
P	12x12x12	026493	-	-	-
F	14x14x4	295212	25.75	11.75	17.75
F	14x14x6	295214	28.75	14.75	20.50
F	14x14x8	295216	31.50	17.50	22.25
F	14x14x10	295218	34.50	20.50	25.75
F	14x14x12	295220	37.50	23.50	28.00
F	14x14x14	295175	39.25	25.25	31.00

NOTE: Refer to Page LPD5 for Molded hub detail
Refer to Page LPD5 - 1 for Fabricated hub detail