

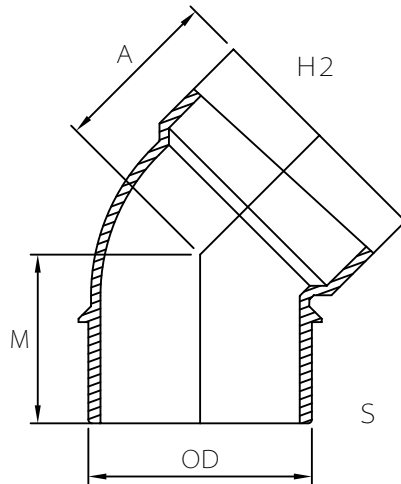


MULTI FITTINGS

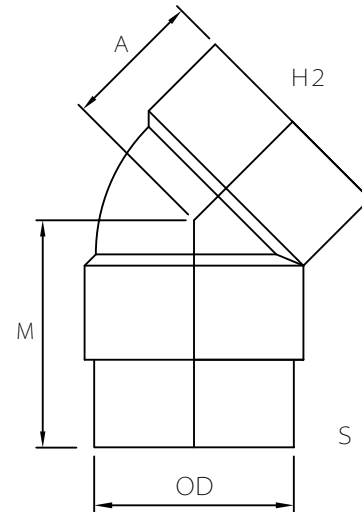
LAYING LENGTH

ISSUE DATE: 2018 02 07
SUPERCEDES: 2005 06 30

45 ° ELBOW (SxH) (1/8 BEND)



INJECTION MOLDED FITTING (M)



FABRICATED FITTING (F)

	SIZE SxH2	PART NUMBER	A REF	M REF	OD
M	4x4	026120	3.875	3.875	4.500
M	6x6	026099	5.000	5.000	6.625
M	6x6	226033	5.000	5.000	6.625
M	8x8	026100	6.000	6.000	8.625
P	10x10	026112	-	-	10.750
P	12x12	026033	-	-	12.750
F	14x14	294614	10.25	17.25	14.000
F	16x16	294618	11.75	19.75	16.000
F	18x18	294622	13.25	22.25	18.000
F	20x20	294626	14.50	24.50	20.000
F	24x24	294630	17.50	29.50	24.000

NOTE: Refer to Page LPD5 for Molded hub detail
Refer to Page LPD5 - 1 for Fabricated hub detail