

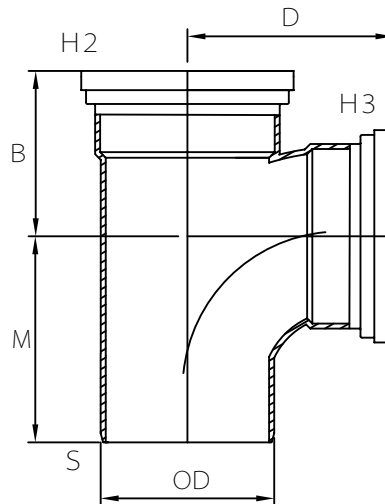


MULTI FITTINGS

LAYING LENGTH

ISSUE DATE: OCT 30/17
SUPERCEDES: MAR 11/05

TEE WYE (SxGxG)



INJECTION MOLDED FITTING (M)

	SIZE SxH2xH3	PART NUMBER	B REF	D REF	M REF	OD
<>M =	4x4x4	043864	4.500	6.000	6.250	4.215
P	6x6x4	043589	-	-	-	6.275
M =	6x6x6	043881	5.875	8.375	9.625	6.275
<>M =	8x8x4	043865	5.500	8.250	8.000	8.400
M =	8x8x6	043866	6.750	8.500	8.750	8.400
P	8x8x8	143018				8.400
F	10x10x4	043695	-	-	-	10.500
F	10x10x6	043696	-	-	-	10.500
F	12x12x6	043689	-	-	-	12.500

Note: = Refer to Page G4 for Hub Detail, Type A
<> 4" Deep hub