

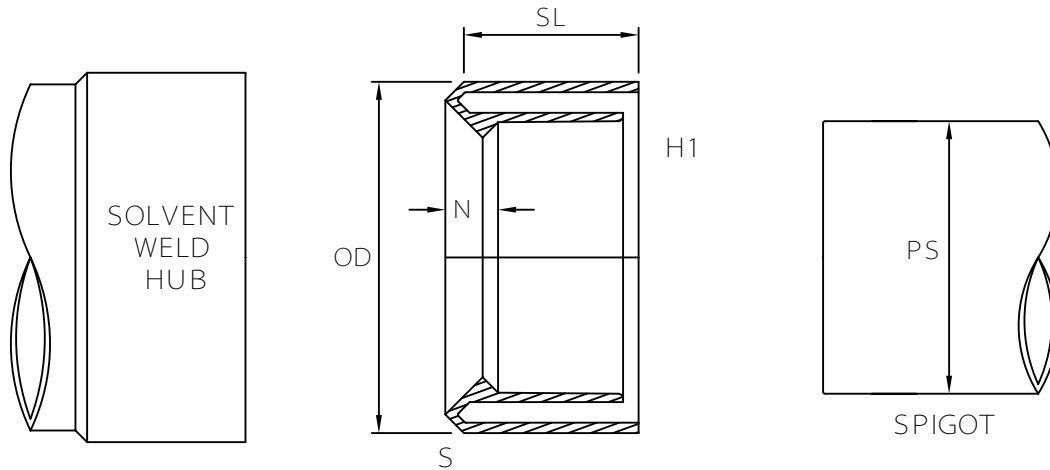


MULTI FITTINGS

LAYING LENGTH

ISSUE DATE: 2018 02 07
SUPERCEDES: 2005 06 30

FLUSH BUSHING (SxH)



INJECTION MOLDED FITTING (M)

	SIZE SxH1	PART NUMBER	N REF	SL REF	OD	PS
A	4x2	026023	-	-	4.500	2.375
A	4x3	026016	-	-	4.500	3.500
M	6x4	026149	1.250	3.000	6.625	4.500
P	8x6	026936	-	-	8.625	6.625
P	10x8	026935	-	-	10.750	8.625
P	12x10	026891	-	-	12.750	10.750

NOTE: Refer to Page LPD5 for Molded hub detail
Refer to Page LPD5 - 1 for Fabricated hub detail