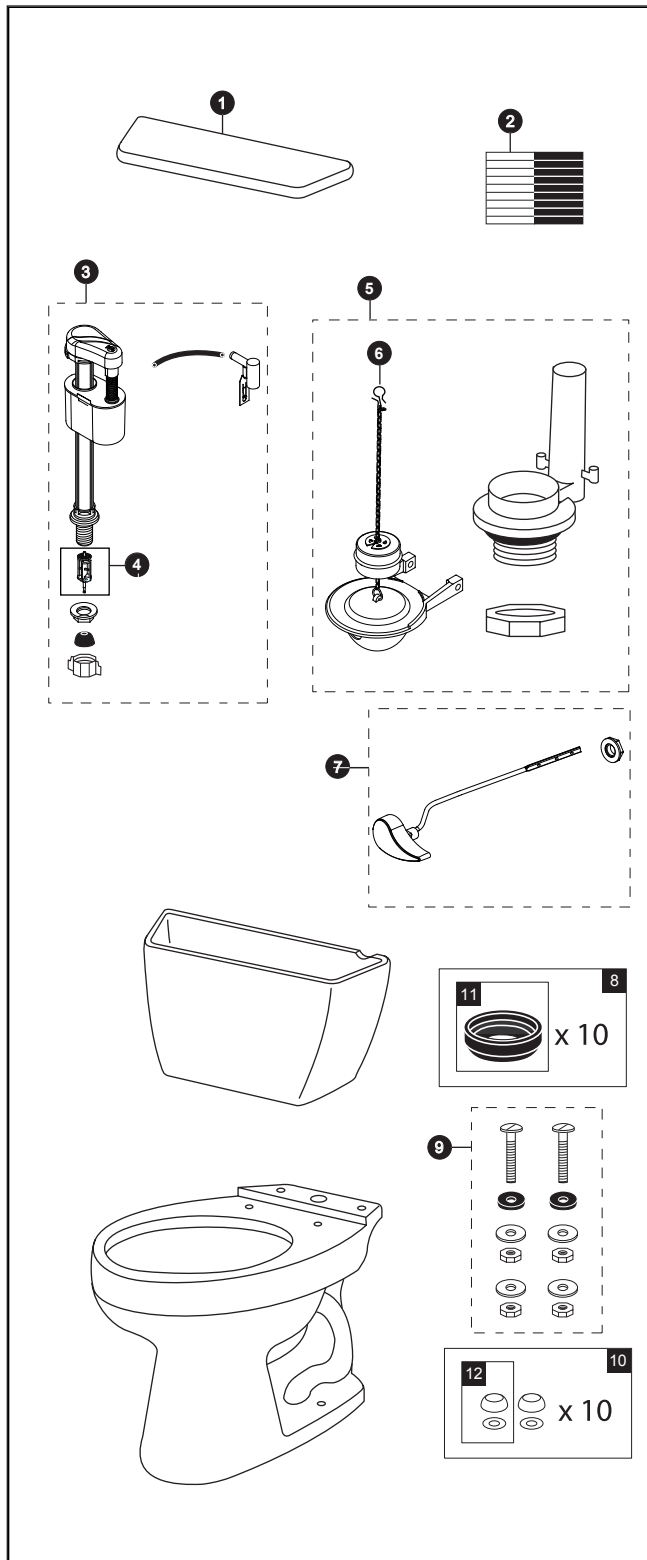


# CST744EL

CST744EL  
ST743E  
C744EL

## Drake® 1.28 Gpf Toilet, Elongated, E-Max®, ADA, 12" Rough-In



Actual product may differ slightly from illustration.

| Item | Part  | Description  |
|------|---|--|
| 1    | TCU743CRE#01<br>TCU743CRE#03<br>TCU743CRE#11<br>TCU743CRE#12<br>TCU743CRE#51  | Tank Lid w/ Velcro Tape<br>Tank Lid w/ Velcro Tape<br>Tank Lid w/ Velcro Tape<br>Tank Lid w/ Velcro Tape<br>Tank Lid w/ Velcro Tape  |
| 2    | THU107  | Velcro Tape  |
| 3    | TSU33A  | Fill Valve   |
| 4    | THU229  | Fill Valve Filter  |
| 5    | THU252W-A   | Flush Valve Assembly w/Flapper   |
| 6    | THU277S   | Flapper w/Float & Chain  |
| 7    | THU068#01<br>THU068#03<br>THU068#04<br>THU068#11<br>THU068#12<br>THU068#51<br>THU068#BL<br>THU068#BN<br>THU068#CP<br>THU068#PB<br>THU068#PN<br>THU068#RB<br>THU068#RS | Trip Lever<br>Trip Lever<br>Trip Lever<br>Trip Lever<br>Trip Lever<br>Trip Lever<br>Trip Lever<br>Trip Lever<br>Trip Lever<br>Trip Lever<br>Trip Lever<br>Trip Lever<br>Trip Lever |
| 8    | THU131  | Tank to Bowl Gaskets (for 10 toilets)  |
| 9    | TSU01D  | Tank Mounting Kit  |
| 10   | THU098#01<br>THU098#03<br>THU098#51   | Bolt Cap Sets (for 10 toilets) for #01 & #11<br>Bolt Cap Sets (for 10 toilets) for #03 & #12<br>Bolt Cap Sets (for 10 toilets)   |
| 11   | 9BU014E   | 2" Tank to Bowl Gaskets (for 10 toilets)   |
| 12   | THU044#01<br>THU044#03<br>THU044#51   | Bolt Cap Sets (for 10 toilets) for #01 & #11<br>Bolt Cap Sets (for 10 toilets) for #03 & #12<br>Bolt Cap Sets (for 10 toilets)   |

### Product Number Explanations

#### Two-Piece Toilet

(CST) Gravity Type Toilet  
(744) Model  
(E) E-Max®  
(L) ADA Compliant

#### Tank

(ST) Tank  
(743) Model

#### Bowl

(C) Bowl  
(744) Model  
(E) E-Max®  
(L) ADA Compliant

#### Colors

(#01) Cotton  
(#03) Bone  
(#11) Colonial  
(#12) Sedona  
(#51) Ebony

#### Finishes

(#BL) Black Nickel  
(#BN) Brushed Nickel  
(#CP) Chrome Plated  
(#PB) Polished Brass  
(#PN) Polished Nickel  
(#RB) Rubbed Bronze  
(#RS) Rose Bronze