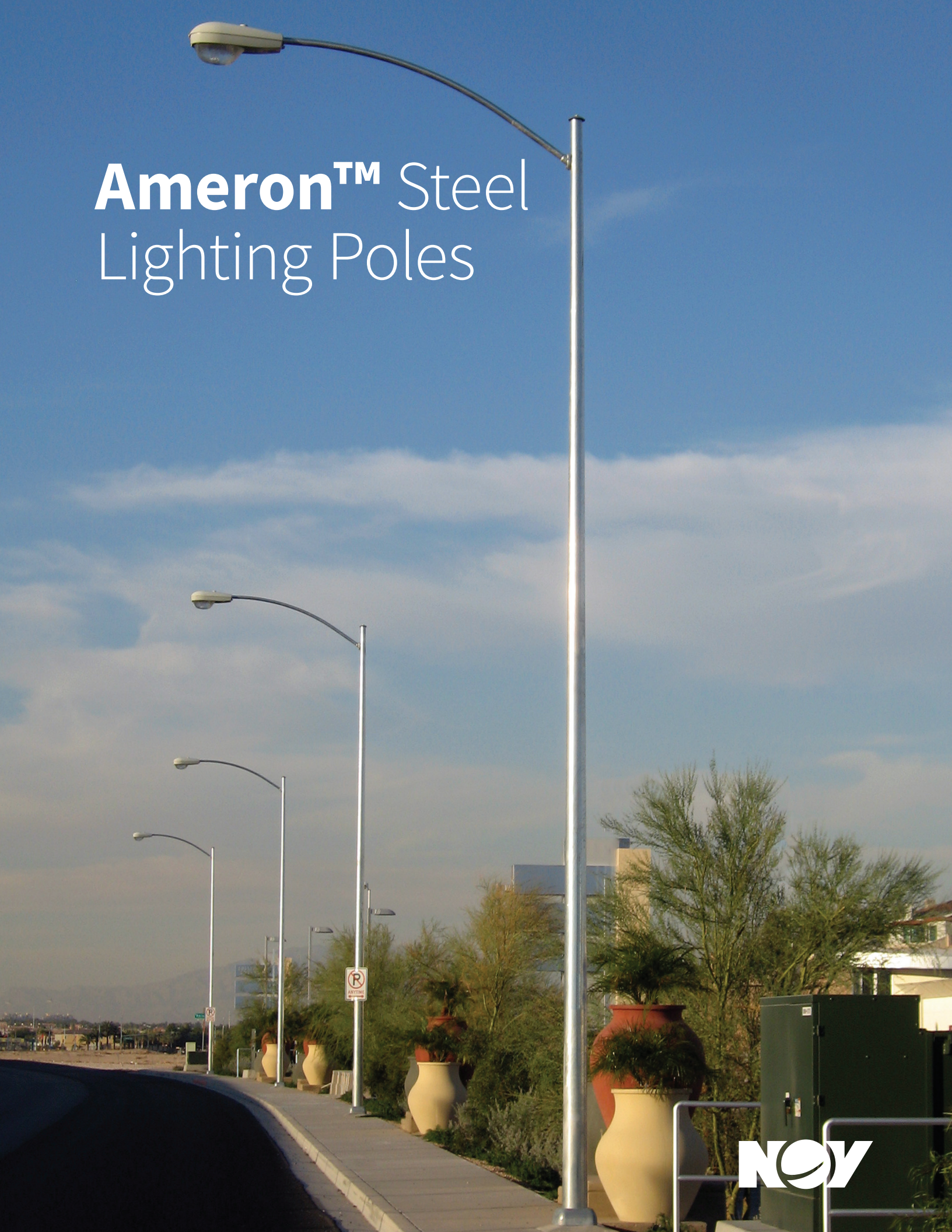



Ameron™ Steel Lighting Poles



NOV



Ameron steel lighting poles bring quality and long-term performance to your roadway.

Ameron™ Series A Steel Pipe Luminaire Arm



Series A Design Information

Mast arm attachments:

Arms are secured by a single cap screw to weather-resistant fitting.

Base plates:

Provided with slotted holes to allow easy anchor bolt installation.

Base covers:

Give a pleasing, smooth transition from shaft to base. They are supplied in two halves and clamp securely to the pole.

Anchor bolts:

If ordered, are galvanized and supplied with two nuts and two washers per bolt. They meet ASTM F1554 grade 55 specification.

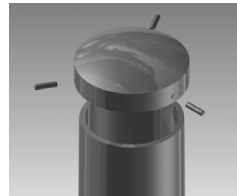
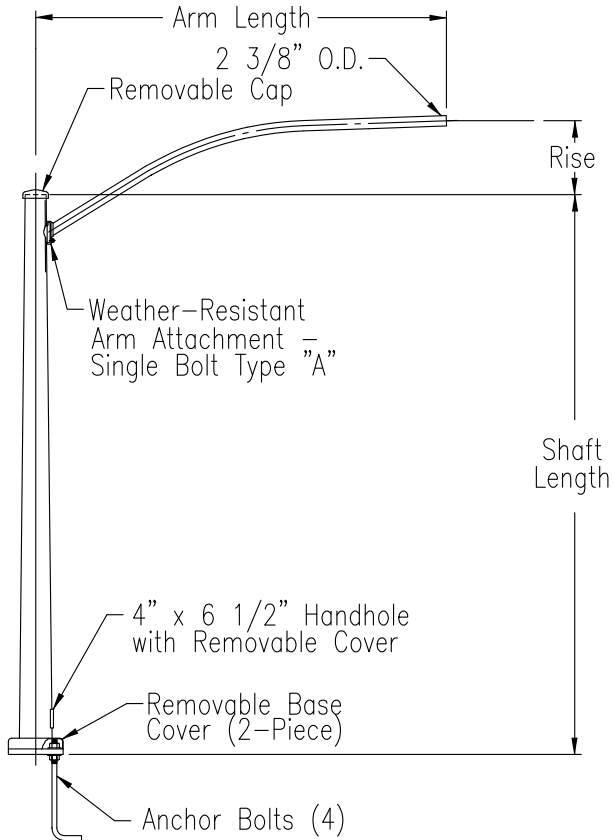
Finish:

Poles and arms are galvanized in conformance to ASTM A123.

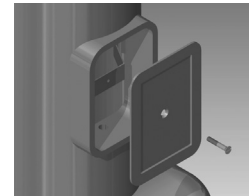
Options:

See page 20 for other options and accessories.

Ameron™ Series A Steel Pipe Luminaire Arm

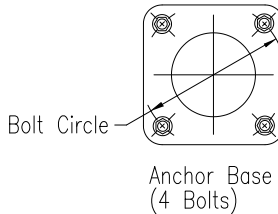


Pole Cap Detail
Removable pole cup cap.



Handhole Detail
Standard handhole assembly 4" x 6-1/2"

1. Pole Design is in accordance to the 2009 AASHTO Specifications for Structural Supports of Highway Signs, Luminaires, and Traffic Signals.
2. Weights are exclusive of anchor bolts.
3. For twin arms or high rise pipe arm, consult manufacturer.



ORDERING NOMENCLATURE

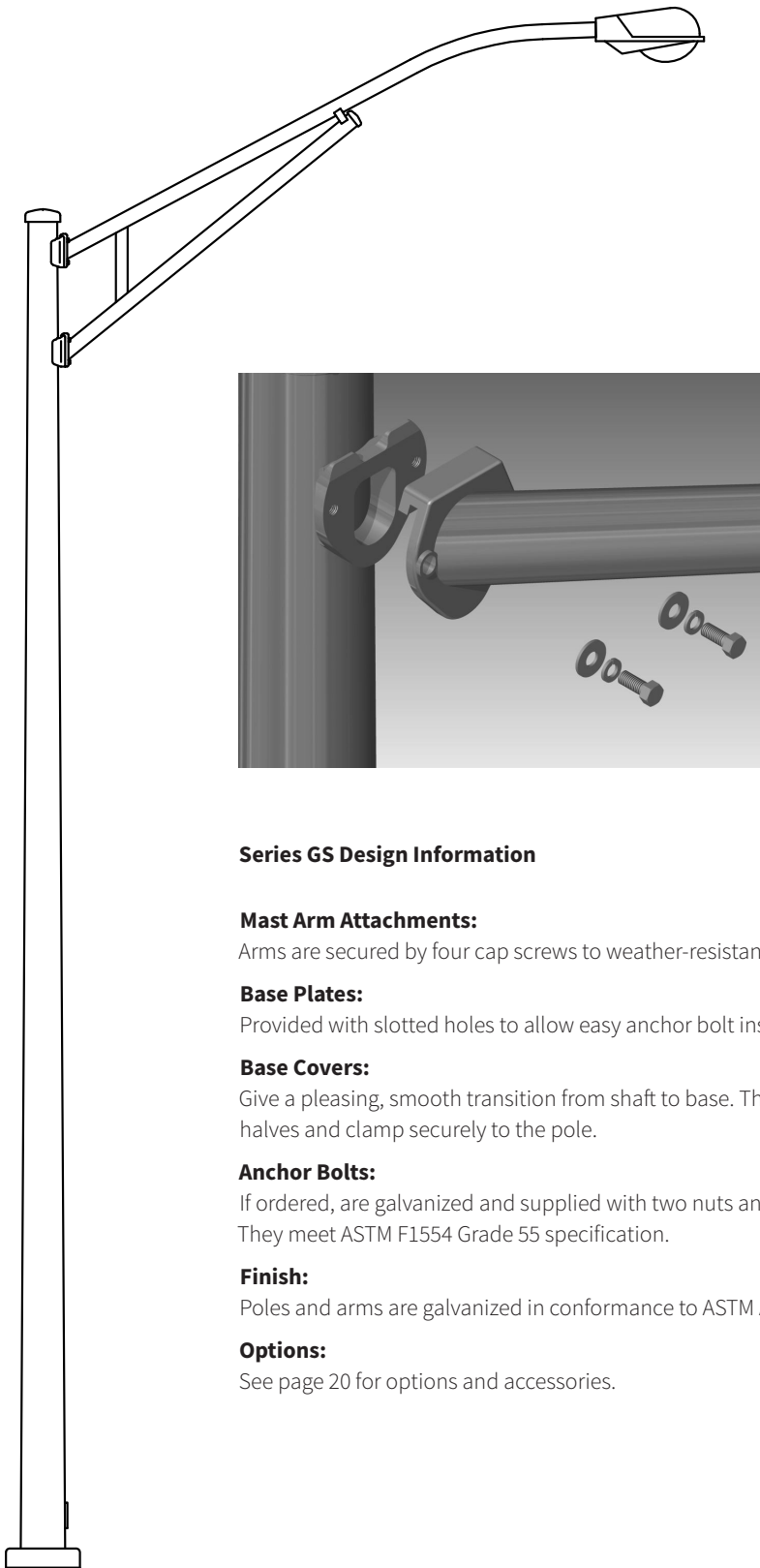
SERIES — LUMINAIRE ARM

A-308

SHAFT LENGTH —

Catalog Number	Shaft Length (ft)	Bolt Dia (in)	Base OD (in)	BC Min (in)	BC Max (in)	Base Square (in)	Arm Length (ft)	Rise	Weight (lbs)	Max EPA			
										90 MPH	100 MPH	110 MPH	120 MPH
A204	20	1	6.625	10	11.5	11.5	4	0' - 9"	184	3.3	3.3	3.3	3.3
A206	20	1	6.625	10	11.5	11.5	6	1' - 3"	193	3.3	3.3	3.3	3.3
A208	20	1	6.625	10	11.5	11.5	8	2' - 3"	204	3.3	3.3	3.3	2.7
A254	25	1	7.313	10	11.5	11.5	4	0' - 9"	228	3.3	3.3	3.3	3.3
A256	25	1	7.313	10	11.5	11.5	6	1' - 3"	237	3.3	3.3	3.3	3.3
A258	25	1	7.313	10	11.5	11.5	8	2' - 3"	248	3.3	3.3	3.2	2.6
A264	26.5	1	7.5	10	11.5	11.5	4	0' - 9"	243	3.3	3.3	3.3	3.3
A266	26.5	1	7.5	10	11.5	11.5	6	1' - 3"	252	3.3	3.3	3.3	3.3
A268	26.5	1	7.5	10	11.5	11.5	8	2' - 3"	263	3.3	3.3	3.2	2.6
A284	28.5	1	7.75	10.25	11.5	11.5	4	0' - 9"	268	3.3	3.3	3.3	3.3
A286	28.5	1	7.75	10.25	11.5	11.5	6	1' - 3"	277	3.3	3.3	3.3	3.3
A288	28.5	1	7.75	10.25	11.5	11.5	8	2' - 3"	287	3.3	3.3	3.1	2.5
A304	30	1	8	10.5	11.5	11.5	4	0' - 9"	282	3.3	3.3	3.3	3.3
A306	30	1	8	10.5	11.5	11.5	6	1' - 3"	291	3.3	3.3	3.3	3.3
A308	30	1	8	10.5	11.5	11.5	8	2' - 3"	302	3.3	3.3	3.1	2.5
A354	35	1	8.688	11.25	11.5	11.5	4	0' - 9"	338	3.3	3.3	3.3	3.3
A356	35	1	8.688	11.25	11.5	11.5	6	1' - 3"	347	3.3	3.3	3.3	3.3
A358	35	1	8.688	11.25	11.5	11.5	8	2' - 3"	358	3.3	3.3	3.0	2.4
A404	40	1	9.375	11.875	12.5	12.5	4	0' - 9"	426	3.3	3.3	3.3	3.3
A406	40	1	9.375	11.875	12.5	12.5	6	1' - 3"	435	3.3	3.3	3.3	3.3
A408	40	1	9.375	11.875	12.5	12.5	8	2' - 3"	445	3.3	3.3	2.9	2.3

Ameron™ Series GS Steel Pipe Truss Luminaire Arm



Series GS Design Information

Mast Arm Attachments:

Arms are secured by four cap screws to weather-resistant fitting.

Base Plates:

Provided with slotted holes to allow easy anchor bolt installation.

Base Covers:

Give a pleasing, smooth transition from shaft to base. They are supplied in two halves and clamp securely to the pole.

Anchor Bolts:

If ordered, are galvanized and supplied with two nuts and two washers per bolt. They meet ASTM F1554 Grade 55 specification.

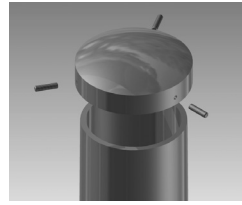
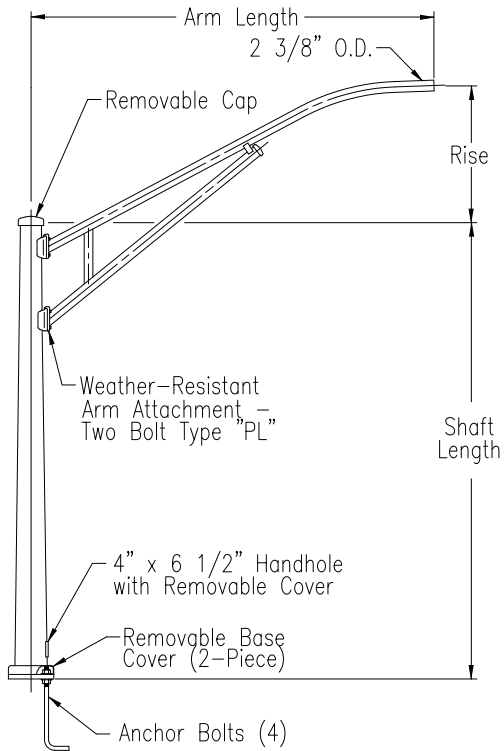
Finish:

Poles and arms are galvanized in conformance to ASTM A123.

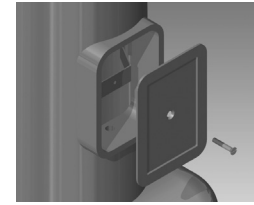
Options:

See page 20 for options and accessories.

Ameron™ Series GS Steel Pipe Truss Luminaire Arm

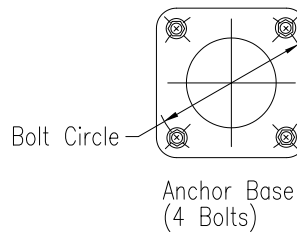


Pole Cap Detail
Removable pole cup cap.

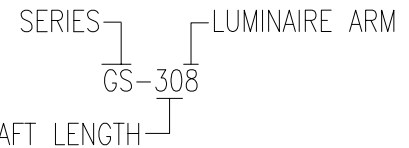


Handhole Detail
Standard handhole assembly 4" x 6 -1/2"

1. Pole Design is in accordance to the 2009 AASHTO Specifications for Structural Supports of Highway Signs, Luminaires, and Traffic Signals.
2. Weights are exclusive of anchor bolts.
3. For twin arms, consult manufacturer.

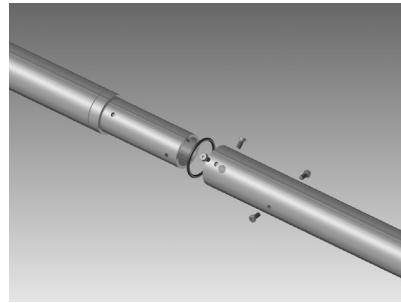
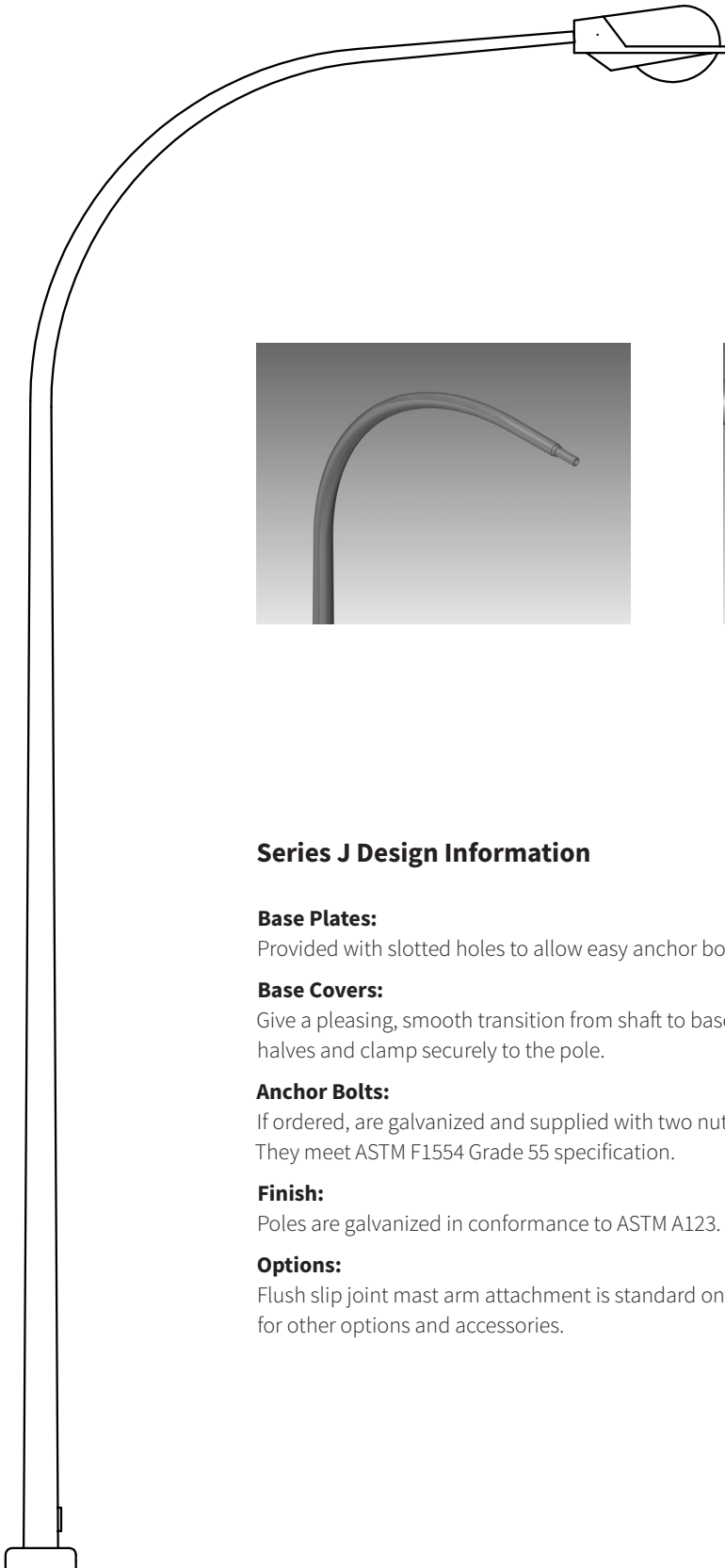


ORDERING NOMENCLATURE



Catalog Number	Shaft Length (ft)	Bolt Dia (in)	Base OD (in)	BC Min (in)	BC Max (in)	Base Square (in)	Arm Length (ft)	Rise	Weight (lbs)	Max EPA			
										90 MPH	100 MPH	110 MPH	120 MPH
GS208	20	1	6.625	9.25	11.5	11.5	8	1'-6"	239	17.1	13.7	11.1	9.2
GS2010	20	1	6.625	9.25	11.5	11.5	10	1'-9"	255	13.3	10.5	8.5	7.0
GS2012	20	1	6.625	9.25	11.5	11.5	12	2'-0"	263	11.0	8.7	6.9	5.6
GS2015	20	1	6.625	9.25	11.5	11.5	15	3'-3"	290	7.7	5.9	4.6	3.6
GS258	25	1	7.313	10	11.5	11.5	8	1'-6"	282	16.4	13.1	10.6	8.8
GS2510	25	1	7.313	10	11.5	11.5	10	1'-9"	298	12.7	10.1	8.1	6.6
GS2512	25	1	7.313	10	11.5	11.5	12	2'-0"	306	10.5	8.3	6.6	5.3
GS2515	25	1	7.313	10	11.5	11.5	15	3'-3"	333	7.4	5.7	4.4	3.4
GS288	28	1	7.75	10.25	11.5	11.5	8	1'-6"	322	16.0	12.8	10.4	8.6
GS2810	28	1	7.75	10.25	11.5	11.5	10	1'-9"	338	12.4	9.8	7.9	6.5
GS2812	28	1	7.75	10.25	11.5	11.5	12	2'-0"	346	10.3	8.1	6.4	5.2
GS2815	28	1	7.75	10.25	11.5	11.5	15	3'-3"	373	7.2	5.5	4.3	3.3
GS308	30	1	8	10.5	11.5	11.5	8	1'-6"	337	15.8	12.6	10.2	8.4
GS3010	30	1	8	10.5	11.5	11.5	10	1'-9"	353	12.3	9.7	7.8	6.4
GS3012	30	1	8	10.5	11.5	11.5	12	2'-0"	360	10.1	8.0	6.3	5.1
GS3015	30	1	8	10.5	11.5	11.5	15	3'-3"	387	7.1	5.4	4.2	3.2
GS358	35	1	8.688	11.25	11.5	11.5	8	1'-6"	392	15.3	12.2	9.9	7.9
GS3510	35	1	8.688	11.25	11.5	11.5	10	1'-9"	408	11.9	9.4	7.5	6.1
GS3512	35	1	8.688	11.25	11.5	11.5	12	2'-0"	416	9.8	7.7	6.1	4.9
GS3515	35	1	8.688	11.25	11.5	11.5	15	3'-3"	443	6.9	5.2	4.0	3.1
GS408	40	1	9.375	12	12.5	12.5	8	1'-6"	480	14.9	11.2	8.3	6.3
GS4010	40	1	9.375	12	12.5	12.5	10	1'-9"	496	11.5	9.1	7.3	5.6
GS4012	40	1	9.375	12	12.5	12.5	12	2'-0"	504	9.5	7.5	5.9	4.8
GS4015	40	1.25	9.375	12.5	12.5	12.5	15	3'-3"	531	6.7	5.1	3.9	3.0

Ameron™ Series J Steel Long Radius Tapered Luminaire Arm



Arm Extension Detail

Flush slip joint mast arm attachment is standard on Series J and JS for arms in excess of 8'.

Series J Design Information

Base Plates:

Provided with slotted holes to allow easy anchor bolt installation.

Base Covers:

Give a pleasing, smooth transition from shaft to base. They are supplied in two halves and clamp securely to the pole.

Anchor Bolts:

If ordered, are galvanized and supplied with two nuts and two washers per bolt. They meet ASTM F1554 Grade 55 specification.

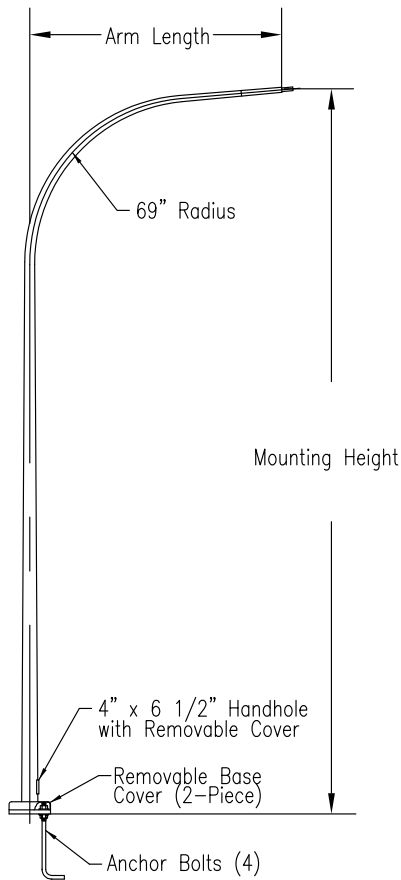
Finish:

Poles are galvanized in conformance to ASTM A123.

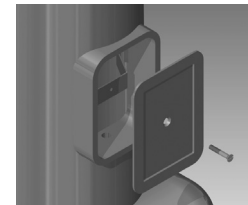
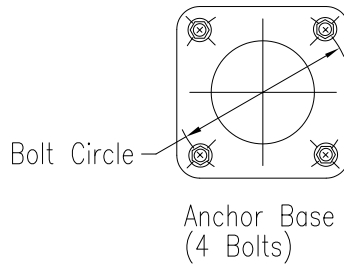
Options:

Flush slip joint mast arm attachment is standard on arms in excess of 8'. See page 20 for other options and accessories.

Ameron™ Series J Steel Long Radius Tapered Luminaire Arm

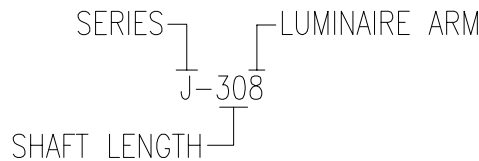


1. Pole Design is in accordance to the 2009 AASHTO Specifications for Structural Supports of Highway Signs, Luminaires, and Traffic Signals.
2. Weights are exclusive of anchor bolts.
3. For twin arms, consult manufacturer.
4. Arms over 8' are supplied in 2 pieces, using arm extension detail.



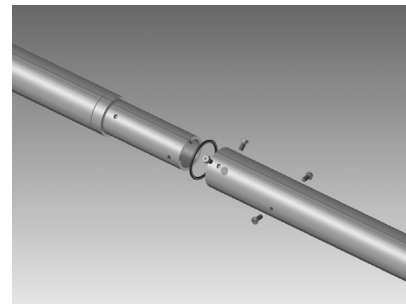
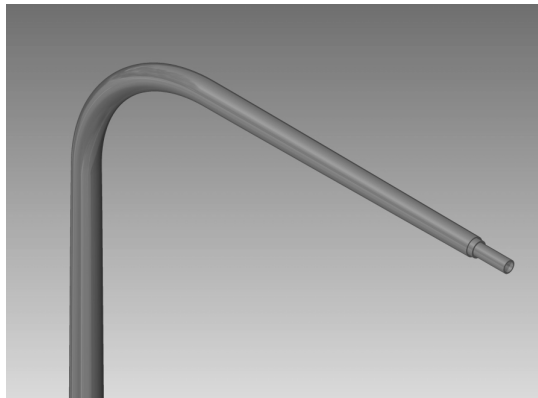
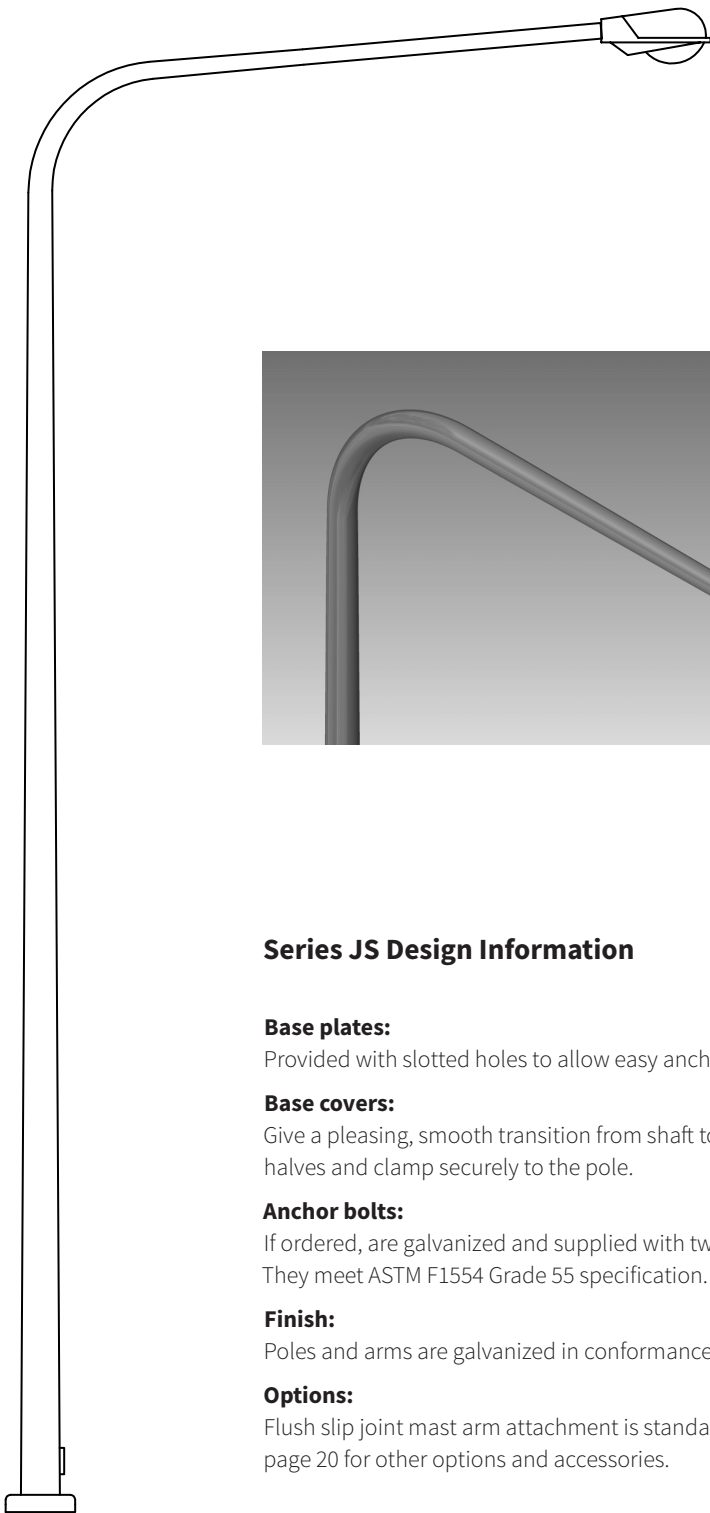
Handhole Detail
Standard handhole assembly 4" x 6 1/2"

ORDERING NOMENCLATURE



Catalog Number	Mtg Height (ft)	Bolt Dia (in)	Base OD (in)	BC Min (in)	BC Max (in)	Base Square (in)	Arm Length (ft)	Rise	Weight (lbs)	Max EPA			
										90 MPH	100 MPH	110 MPH	120 MPH
J206	20	1	6.625	9.25	9.5	11.5	6	5' - 9"	181	22.2	17.8	14.5	12.0
J208	20	1	6.625	9.25	9.5	11.5	8	5' - 11"	209	17.5	13.9	11.2	9.2
J2010	20	1	6.625	9.25	9.5	11.5	10	6' - 1"	235	14.1	11.1	8.9	7.2
J2012	20	1	6.625	9.25	9.5	11.5	12	6' - 3"	250	11.6	9.0	7.1	5.6
J256	25	1	7.313	10	11.5	11.5	6	5' - 9"	225	21.4	17.1	13.9	11.5
J258	25	1	7.313	10	11.5	11.5	8	5' - 11"	253	16.8	13.3	10.7	8.8
J2510	25	1	7.313	10	11.5	11.5	10	6' - 1"	279	13.5	10.6	8.5	6.9
J2512	25	1	7.313	10	11.5	11.5	12	6' - 3"	294	11.0	8.5	6.7	5.3
J306	30	1	8	10.5	11.5	11.5	6	5' - 9"	279	20.6	16.5	13.4	11.1
J308	30	1	8	10.5	11.5	11.5	8	5' - 11"	304	16.2	12.8	10.3	8.5
J3010	30	1	8	10.5	11.5	11.5	10	6' - 1"	331	13.0	10.2	8.1	6.6
J3012	30	1	8	10.5	11.5	11.5	12	6' - 3"	347	10.6	8.2	6.4	5.1
J356	35	1	8.688	11.25	11.5	11.5	6	5' - 9"	335	20.0	15.4	11.9	9.5
J358	35	1	8.688	11.25	11.5	11.5	8	5' - 11"	390	15.7	12.4	10.0	8.2
J3510	35	1	8.688	11.25	11.5	11.5	10	6' - 1"	393	12.6	9.9	7.8	6.3
J3512	35	1	8.688	11.25	11.5	11.5	12	6' - 3"	409	10.3	7.9	6.2	4.9
J406	40	1	9.375	12	13	12.5	6	5' - 9"	422	18.3	13.8	10.6	8.3
J408	40	1	9.375	12	13	12.5	8	5' - 11"	430	15.3	12.1	9.7	7.6
J4010	40	1	9.375	12	13	12.5	10	6' - 1"	466	12.3	9.6	7.6	6.1
J4012	40	1	9.375	12	13	12.5	12	6' - 3"	482	10.0	7.7	6.0	4.7

Ameron™ Series JS Steel Short Radius Tapered Luminaire Arm



Arm Extension Detail

Flush slip joint mast arm attachment is standard on Series J and JS for arms in excess of 8'.

Series JS Design Information

Base plates:

Provided with slotted holes to allow easy anchor bolt installation.

Base covers:

Give a pleasing, smooth transition from shaft to base. They are supplied in two halves and clamp securely to the pole.

Anchor bolts:

If ordered, are galvanized and supplied with two nuts and two washers per bolt. They meet ASTM F1554 Grade 55 specification.

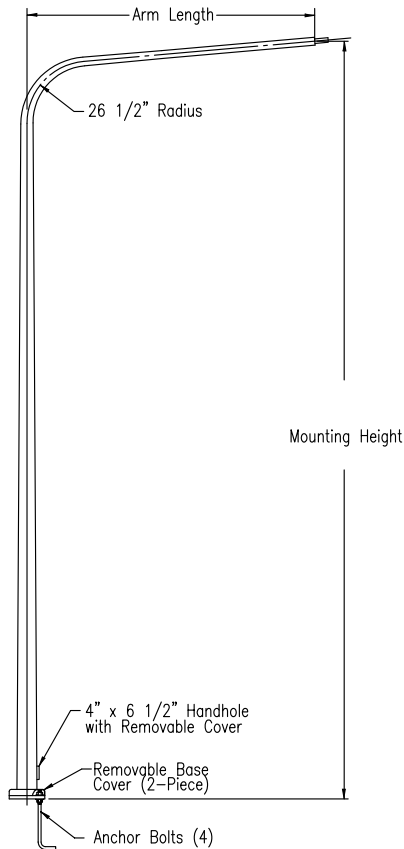
Finish:

Poles and arms are galvanized in conformance to ASTM A123.

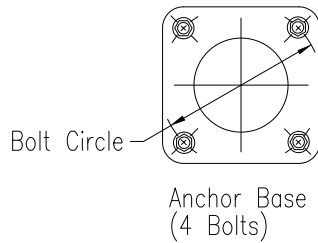
Options:

Flush slip joint mast arm attachment is standard on arms in excess of 8'. See page 20 for other options and accessories.

Ameron™ Series JS Steel Short Radius Tapered Luminaire Arm

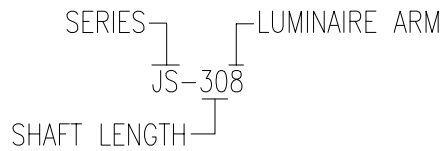


1. Pole Design is in accordance to the 2009 AASHTO Specifications for Structural Supports of Highway Signs, Luminaires, and Traffic Signals.
2. Weights are exclusive of anchor bolts.
3. For twin arms, consult manufacturer.
4. Arms over 8' are supplied in 2 pieces, using arm extension detail.



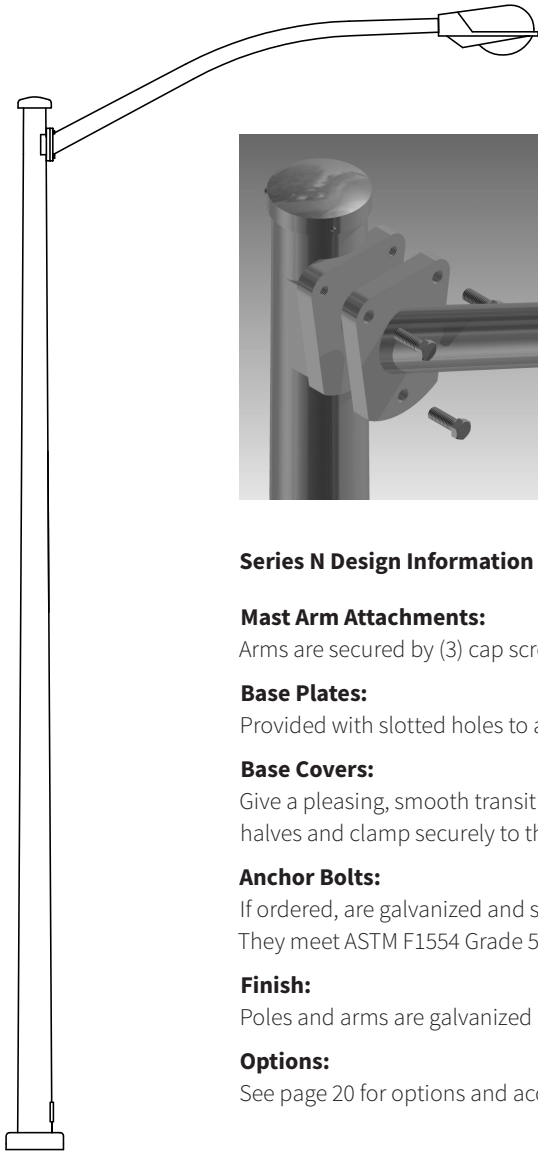
Handhole Detail
Standard handhole assembly 4" x 6 -1/2"

ORDERING NOMENCLATURE



Catalog Number	Mtg Height (ft)	Bolt Dia (in)	Base OD (in)	BC Min (in)	BC Max (in)	Base Square (in)	Arm Length (ft)	Rise	Weight (lbs)	Max EPA			
										90 MPH	100 MPH	110 MPH	120 MPH
JS206	20	1	6.625	9.5	9.5	11.5	6	2' - 6"	226	29.0	23.0	18.6	15.3
JS208	20	1	6.625	9.5	9.5	11.5	8	2' - 8"	256	23.5	18.8	15.3	12.6
JS2010	20	1	6.625	9.5	9.5	11.5	10	2' - 10"	280	18.7	14.9	12.0	9.8
JS2012	20	1	6.625	9.5	9.5	11.5	12	3' - 0"	296	15.3	12.0	9.6	7.8
JS256	25	1	7.313	10	11.5	11.5	6	2' - 6"	270	26.0	20.4	16.3	13.3
JS258	25	1	7.313	10	11.5	11.5	8	2' - 8"	300	22.4	17.9	14.6	11.9
JS2510	25	1	7.313	10	11.5	11.5	10	2' - 10"	324	17.9	14.2	11.4	9.4
JS2512	25	1	7.313	10	11.5	11.5	12	3' - 0"	340	14.6	11.5	9.1	7.4
JS306	30	1	8	10.75	11.5	11.5	6	2' - 6"	324	23.6	18.4	14.6	11.8
JS308	30	1	8	10.75	11.5	11.5	8	2' - 8"	349	21.6	17.0	13.4	10.7
JS3010	30	1	8	10.75	11.5	11.5	10	2' - 10"	376	17.2	13.6	11.0	9.0
JS3012	30	1	8	10.75	11.5	11.5	12	3' - 0"	392	14.0	11.0	8.8	7.1
JS356	35	1	8.688	11.5	11.5	11.5	6	2' - 6"	380	20.0	15.2	11.8	9.3
JS358	35	1	8.688	11.5	11.5	11.5	8	2' - 8"	410	19.0	14.3	11.0	8.5
JS3510	35	1	8.688	11.5	11.5	11.5	10	2' - 10"	438	16.7	13.2	10.1	7.7
JS3512	35	1	8.688	11.5	11.5	11.5	12	3' - 0"	454	13.6	10.6	8.5	6.8
JS406	40	1	9.375	12	13	12.5	6	2' - 6"	464	18.2	13.6	10.5	8.1
JS408	40	1	9.375	12	13	12.5	8	2' - 8"	479	17.2	12.8	9.7	7.4
JS4010	40	1	9.375	12	13	12.5	10	2' - 10"	507	16.2	11.9	8.9	6.6
JS4012	40	1	9.375	12	13	12.5	12	3' - 0"	523	13.2	10.3	8.1	5.8

Ameron™ Series N Steel Tapered Luminaire Arm



Series N Design Information

Mast Arm Attachments:

Arms are secured by (3) cap screws.

Base Plates:

Provided with slotted holes to allow easy anchor bolt installation.

Base Covers:

Give a pleasing, smooth transition from shaft to base. They are supplied in two halves and clamp securely to the pole.

Anchor Bolts:

If ordered, are galvanized and supplied with two nuts and two washers per bolt. They meet ASTM F1554 Grade 55 specification.

Finish:

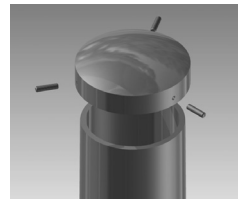
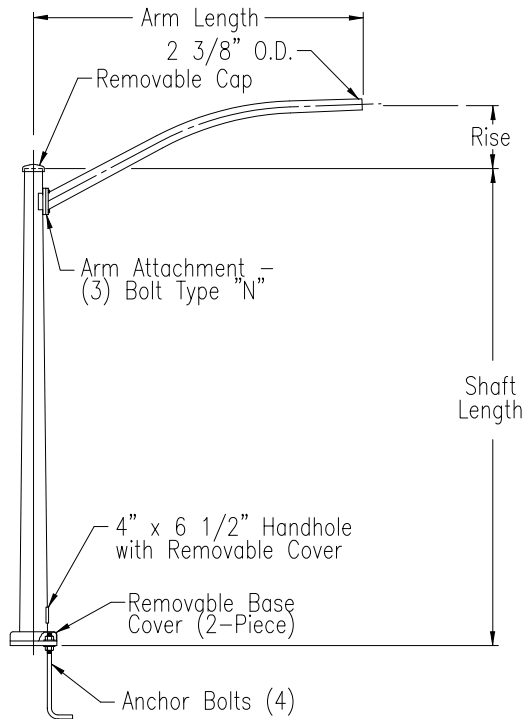
Poles and arms are galvanized in conformance to ASTM A123.

Options:

See page 20 for options and accessories.

Catalog Number	Shaft Length (ft)	Bolt Dia (in)	Base OD (in)	BC Min (in)	BC Max (in)	Base Square (in)	Arm Length (ft)	Rise	Weight (lbs)	Max EPA			
										90 MPH	100 MPH	110 MPH	120 MPH
N204	20	1	6.625	9.25	11.5	11.5	4	0' - 9"	202	22.8	18.4	15.1	12.7
N206	20	1	6.625	9.25	11.5	11.5	6	1' - 6"	211	20.1	16.2	13.2	11.0
N208	20	1	6.625	9.25	11.5	11.5	8	2' - 3"	220	18.2	14.5	11.8	9.8
N2010	20	1	6.625	9.25	11.5	11.5	10	2' - 6"	229	16.8	13.4	10.9	8.9
N2012	20	1	6.625	9.25	11.5	11.5	12	3' - 9"	246	12.7	9.9	7.9	6.3
N2015	20	1	6.625	9.25	11.5	11.5	15	4' - 3"	263	9.0	6.9	5.3	4.1
N254	25	1	7.313	10	11.5	11.5	4	0' - 9"	246	21.9	17.6	14.5	12.1
N256	25	1	7.313	10	11.5	11.5	6	1' - 6"	255	19.3	15.5	12.7	10.5
N258	25	1	7.313	10	11.5	11.5	8	2' - 3"	264	17.5	13.9	11.4	9.4
N2510	25	1	7.313	10	11.5	11.5	10	2' - 6"	273	16.1	12.8	10.4	8.5
N2512	25	1	7.313	10	11.5	11.5	12	3' - 9"	290	12.1	9.5	7.5	6.0
N2515	25	1	7.313	10	11.5	11.5	15	4' - 3"	307	8.5	6.5	5.0	3.9

Ameron™ Series N Steel Tapered Luminaire Arm

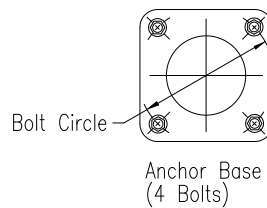


Pole Cap Detail
Removable pole cup cap.

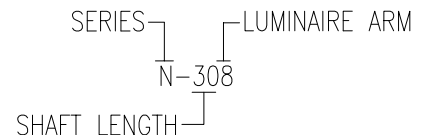


Handhole Detail
Standard handhole assembly 4" x 6-1/2"

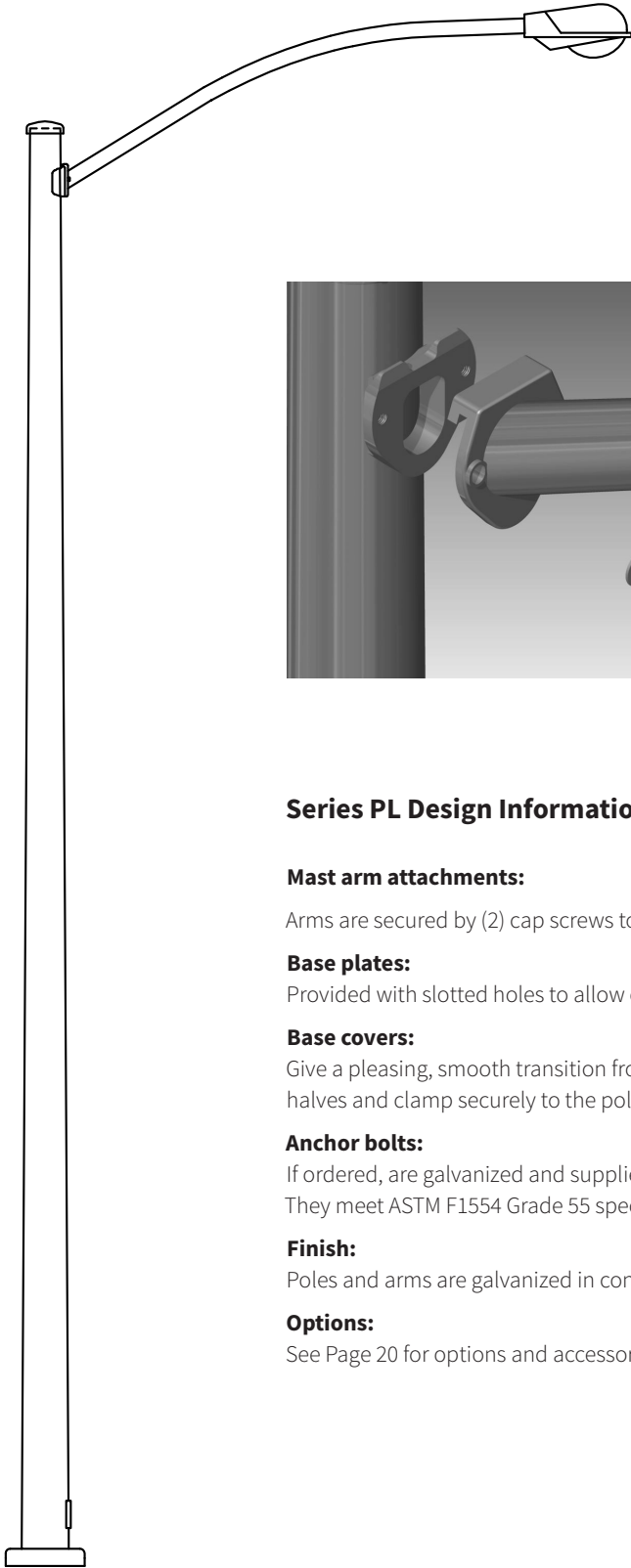
1. Pole Design is in accordance to the 2009 AASHTO Specifications for Structural Supports of Highway Signs, Luminaires, and Traffic Signals.
2. Weights are exclusive of anchor bolts.
3. For twin arms or high rise tapered arm, consult manufacturer.



ORDERING NOMENCLATURE



Catalog Number	Shaft Length (ft)	Bolt Dia (in)	Base OD (in)	BC Min (in)	BC Max (in)	Base Square (in)	Arm Length (ft)	Rise	Weight (lbs)	Max EPA			
										90 MPH	100 MPH	110 MPH	120 MPH
N284	28.5	1	7.75	10.25	11.5	11.5	4	0' - 9"	288	21.3	17.2	14.1	11.4
N286	28.5	1	7.75	10.25	11.5	11.5	6	1' - 6"	295	18.8	15.1	12.4	10.3
N288	28.5	1	7.75	10.25	11.5	11.5	8	2' - 3"	305	17.0	13.6	11.1	8.9
N2810	28.5	1	7.75	10.25	11.5	11.5	10	2' - 6"	312	15.7	12.5	10.1	8.2
N2812	28.5	1	7.75	10.25	11.5	11.5	12	3' - 9"	329	11.4	8.9	7.0	5.6
N2815	28.5	1	7.75	10.25	11.5	11.5	15	4' - 3"	347	8.0	6.1	4.6	3.6
N304	30	1	8	10.5	11.5	11.5	4	0' - 9"	302	21.1	17.0	14.0	11.3
N306	30	1	8	10.5	11.5	11.5	6	1' - 6"	310	18.6	14.9	12.2	10.2
N308	30	1	8	10.5	11.5	11.5	8	2' - 3"	320	16.9	13.5	11.0	8.9
N3010	30	1	8	10.5	11.5	11.5	10	2' - 6"	327	15.6	12.4	10.0	8.2
N3012	30	1	8	10.5	11.5	11.5	12	3' - 9"	344	11.6	9.1	7.2	5.8
N3015	30	1	8	10.5	11.5	11.5	15	4' - 3"	361	8.2	6.2	4.8	3.7
N354	35	1	8.688	11.25	11.5	11.5	4	0' - 9"	358	20.4	15.7	12.2	9.8
N356	35	1	8.688	11.25	11.5	11.5	6	1' - 6"	365	18.1	14.5	11.2	8.8
N358	35	1	8.688	11.25	11.5	11.5	8	2' - 3"	376	16.4	13.0	9.9	7.6
N3510	35	1	8.688	11.25	11.5	11.5	10	2' - 6"	383	15.1	12.0	9.2	7.0
N3512	35	1	8.688	11.25	11.5	11.5	12	3' - 9"	400	11.2	8.7	6.9	5.3
N3515	35	1	8.688	11.25	11.5	11.5	15	4' - 3"	417	7.9	6.0	4.6	3.5
N404	40	1	9.375	12	13	13.5	4	0' - 9"	446	18.7	14.0	10.9	8.6
N406	40	1	9.375	12	13	13.5	6	1' - 6"	453	17.4	12.9	9.9	7.7
N408	40	1	9.375	12	13	13.5	8	2' - 3"	464	15.9	11.6	8.7	6.6
N4010	40	1	9.375	12	13	13.5	10	2' - 6"	470	14.7	10.9	8.1	6.0
N4012	40	1	9.375	12	13	13.5	12	3' - 9"	487	10.9	8.5	6.4	4.5
N4015	40	1	9.375	12	13	13.5	15	4' - 3"	505	7.6	5.7	4.4	3.3



Series PL Design Information

Mast arm attachments:

Arms are secured by (2) cap screws to a weather-resistant fitting.

Base plates:

Provided with slotted holes to allow easy anchor bolt installation.

Base covers:

Give a pleasing, smooth transition from shaft to base. They are supplied in two halves and clamp securely to the pole.

Anchor bolts:

If ordered, are galvanized and supplied with two nuts and two washers per bolt. They meet ASTM F1554 Grade 55 specification.

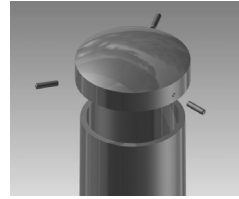
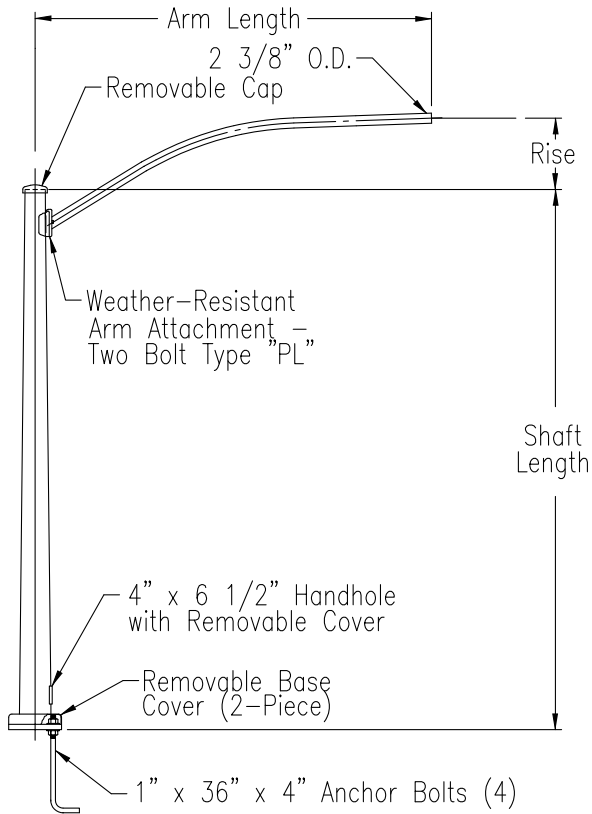
Finish:

Poles and arms are galvanized in conformance to ASTM A123.

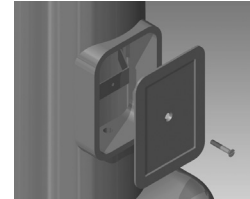
Options:

See Page 20 for options and accessories.

Ameron™ Series PL Steel Elliptical Tapered Luminaire Arm

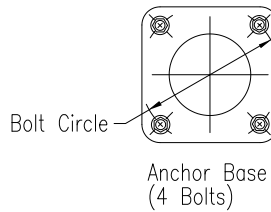


Pole Cap Detail
Removable pole cup cap.

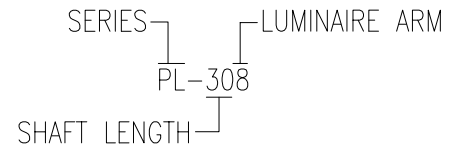


Handhole Detail
Standard handhole assembly 4" x 6 -1/2"

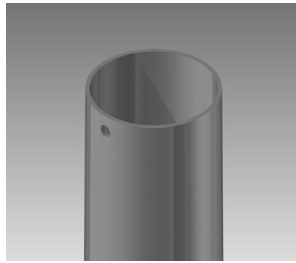
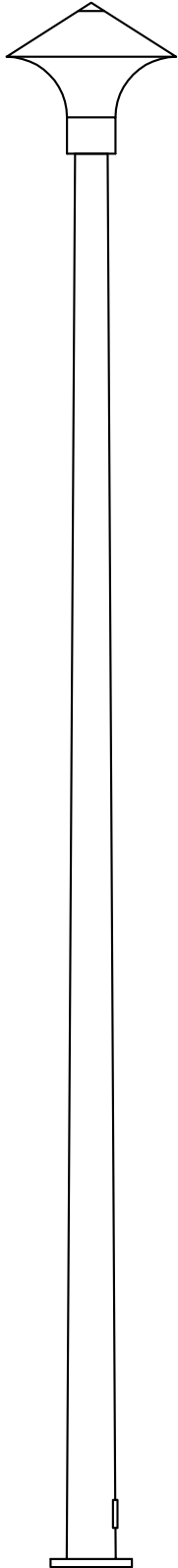
1. Pole Design is in accordance to the 2009 AASHTO Specifications for Structural Supports of Highway Signs, Luminaires, and Traffic Signals.
2. Weights are exclusive of anchor bolts.
3. For twin arms, consult manufacturer.



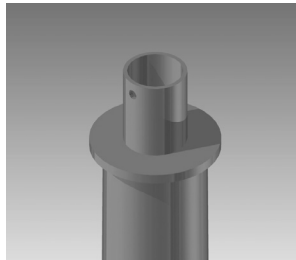
ORDERING NOMENCLATURE



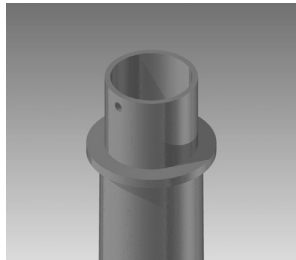
Catalog Number	Shaft Length (ft)	Bolt Dia (in)	Base OD (in)	BC Min (in)	BC Max (in)	Base Square (in)	Arm Length (ft)	Rise	Weight (lbs)	Max EPA			
										90 MPH	100 MPH	110 MPH	120 MPH
PL204	20	1	6.625	9.25	11.5	11.5	4	0' - 9"	193	3.3	3.3	3.3	3.3
PL206	20	1	6.625	9.25	11.5	11.5	6	1' - 6"	200	3.3	3.3	3.3	3.3
PL208	20	1	6.625	9.25	11.5	11.5	8	2' - 3"	210	3.3	3.3	3.3	3.3
PL254	25	1	7.313	10	11.5	11.5	4	0' - 9"	237	3.3	3.3	3.3	3.3
PL256	25	1	7.313	10	11.5	11.5	6	1' - 6"	244	3.3	3.3	3.3	3.3
PL258	25	1	7.313	10	11.5	11.5	8	2' - 3"	254	3.3	3.3	3.3	3.3
PL264	26.5	1	7.519	10	11.5	11.5	4	0' - 9"	252	3.3	3.3	3.3	3.3
PL266	26.5	1	7.519	10	11.5	11.5	6	1' - 6"	259	3.3	3.3	3.3	3.3
PL268	26.5	1	7.519	10	11.5	11.5	8	2' - 3"	269	3.3	3.3	3.3	3.3
PL284	28.5	1	7.794	10.25	11.5	11.5	4	0' - 9"	270	3.3	3.3	3.3	3.3
PL286	28.5	1	7.794	10.25	11.5	11.5	6	1' - 6"	278	3.3	3.3	3.3	3.3
PL288	28.5	1	7.794	10.25	11.5	11.5	8	2' - 3"	288	3.3	3.3	3.3	3.3
PL304	30	1	8	10.5	11.5	11.5	4	0' - 9"	285	3.3	3.3	3.3	3.3
PL306	30	1	8	10.5	11.5	11.5	6	1' - 6"	292	3.3	3.3	3.3	3.3
PL308	30	1	8	10.5	11.5	11.5	8	2' - 3"	303	3.3	3.3	3.3	3.3
PL354	35	1	8.688	11.25	11.5	11.5	4	0' - 9"	341	3.3	3.3	3.3	3.3
PL356	35	1	8.688	11.25	11.5	11.5	6	1' - 6"	348	3.3	3.3	3.3	3.3
PL358	35	1	8.688	11.25	11.5	11.5	8	2' - 3"	358	3.3	3.3	3.3	3.3
PL404	40	1	9.375	12	13	13	4	0' - 9"	429	3.3	3.3	3.3	3.3
PL406	40	1	9.375	12	13	13	6	1' - 6"	436	3.3	3.3	3.3	3.3
PL408	40	1	9.375	12	13	13	8	2' - 3"	446	3.3	3.3	3.3	3.3



No. 0



No. 9



No. 10

Series F Design Information

Base plates:

Provided with slotted holes to allow easy anchor bolt installation.

Anchor bolts:

If ordered, are galvanized and supplied with two nuts and two washers per bolt. They meet ASTM F1554 Grade 55 specification.

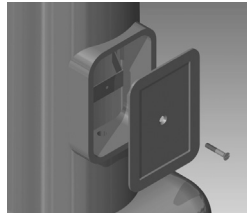
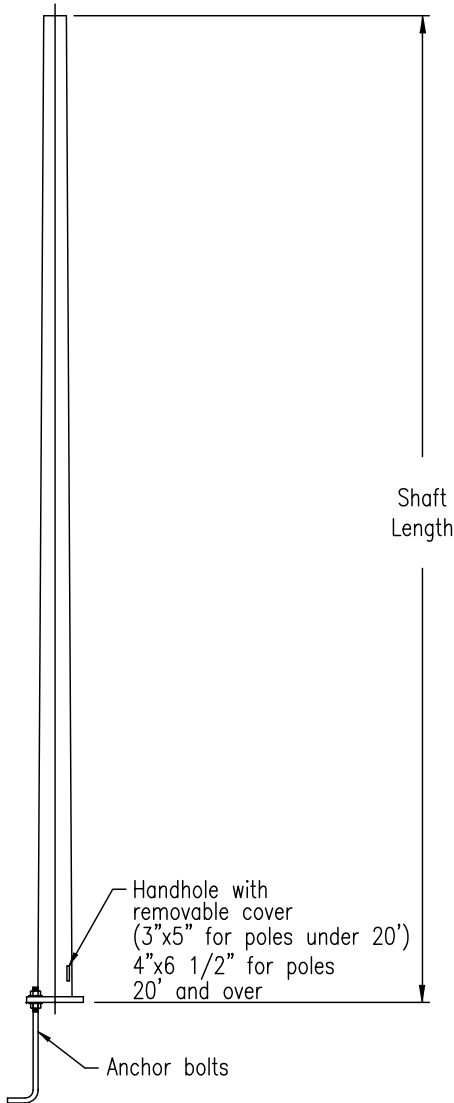
Finish:

Poles are galvanized in conformance to ASTM A123.

Options:

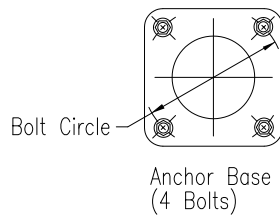
See page 20 for options and accessories.

Ameron™ Series F Steel Post Top Mounted Luminaires



Handhole Detail

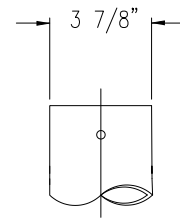
Standard handhole assembly is 3" x 5" for pole diameters less than 6.625". Standard handhole assembly is 4" x 6.5" for pole diameters 6.625" and greater.



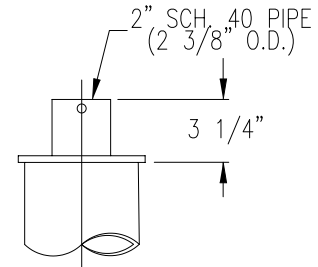
ORDERING NOMENCLATURE

POLE TYPE — F-400-9

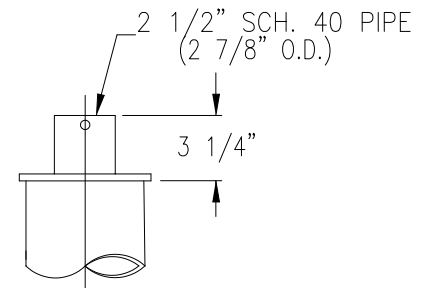
POLE LENGTH — TENON STYLE



No. 0



No. 9

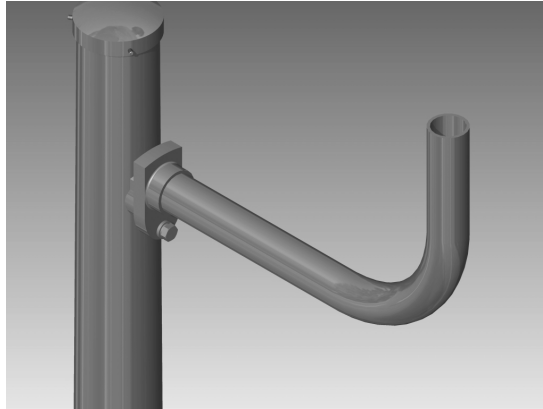
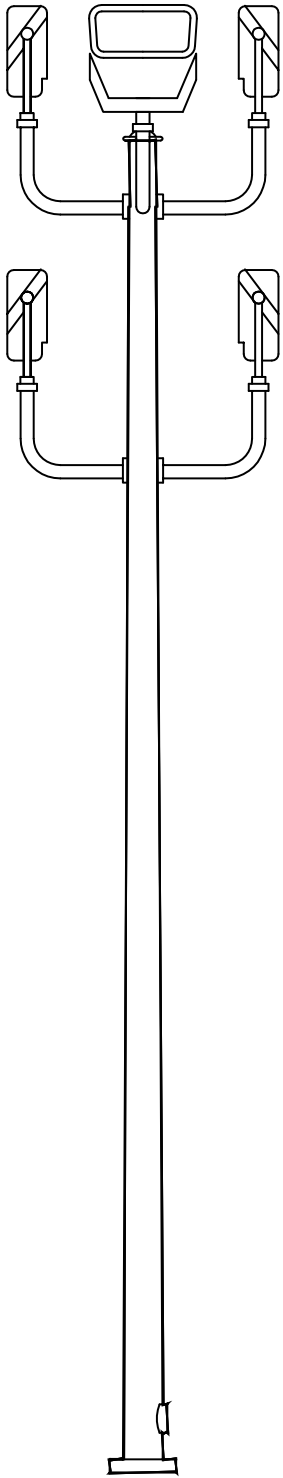


No. 10

1. Pole Design is in accordance to the 2009 AASHTO Specifications for Structural Supports of Highway Signs, Luminaires, and Traffic Signals.
2. Weights are exclusive of anchor bolts.
3. Drilling of side mounted fixtures is to be done in the field to ensure proper fit.

Catalog Number	Shaft Length (ft)	Bolt Dia (in)	Base OD (in)	BC Min (in)	BC Max (in)	Base Square (in)	Weight (lbs)	Max EPA			
								90 MPH	100 MPH	110 MPH	120 MPH
F-140-X	14	0.75	5.8	8.5	9.5	11.5	113	30.0	28.4	23.1	19.3
F-160-X	16	0.75	6.075	8.5	9.5	11.5	128	30.0	24.2	19.6	16.3
F-180-X	18	0.75	6.35	9	9.5	11.5	143	25.8	20.4	16.5	13.7
F-200-X	20	1	6.625	9.25	11.5	11.5	160	30.0	24.8	20.2	16.8
F-250-X	25	1	7.313	10	11.5	11.5	202	28.1	22.3	18.0	14.8
F-300-X	30	1	8	10.5	11.5	11.5	259	26.2	20.4	16.5	13.6
F-350-X	35	1	8.688	11.25	11.5	11.5	315	22.4	17.5	13.9	11.3
F-400-X	40	1.25	9.375	12	13	13.5	387	21.9	16.8	13.4	10.9

Ameron™ Series FU Steel Upsweep Pipe Arms



Series FU Design Information

Base plates:

Provided with slotted holes to allow easy anchor bolt installation.

Base covers:

Give a pleasing, smooth transition from shaft to base. They are supplied in two halves and clamp securely to the pole.

Anchor bolts:

If ordered, are galvanized and supplied with two nuts and two washers per bolt. They meet ASTM F1554 Grade 55 specification.

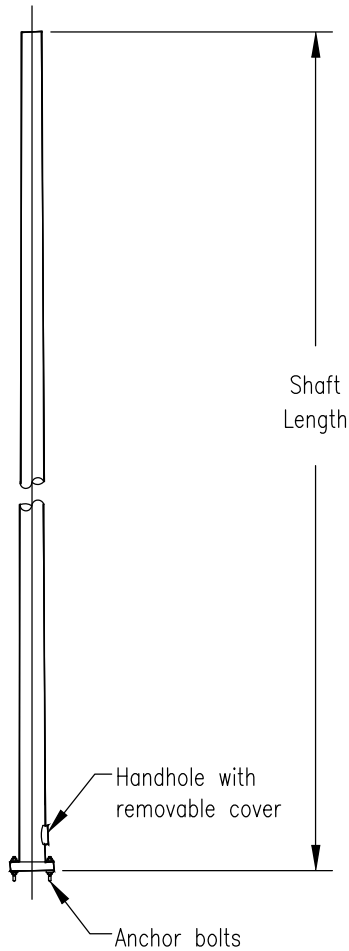
Finish:

Poles are galvanized in conformance to ASTM A123.

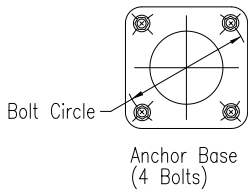
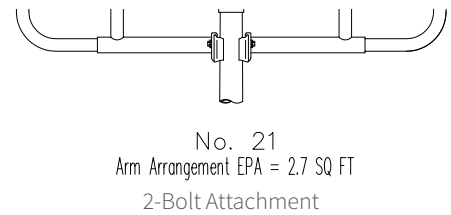
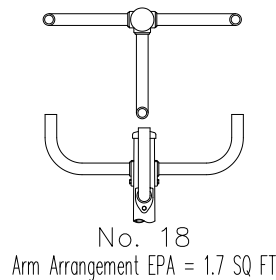
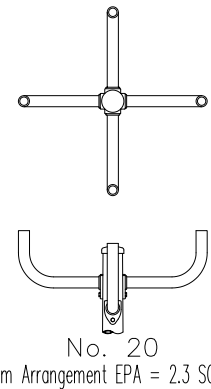
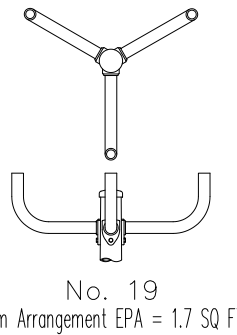
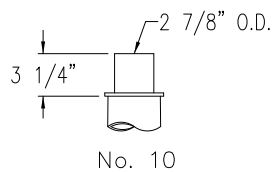
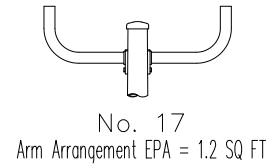
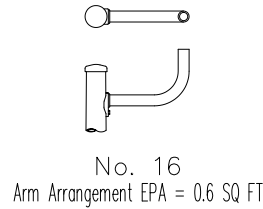
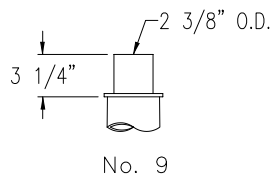
Options:

See page 20 for options and accessories.

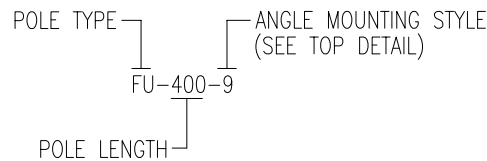
Ameron™ Series FU Steel Upsweep Pipe Arms



1. Pole Design is in accordance to the 2009 AASHTO Specifications for Structural Supports of Highway Signs, Luminaires, and Traffic Signals.
2. Weights are exclusive of anchor bolts and brackets.
3. Charted EPA is EPA of fixtures + arm(s) arrangement.
4. Maximum EPA per tenon 5 SQ FT.

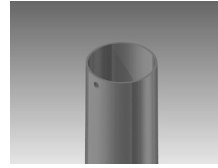
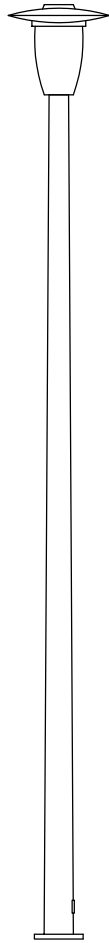
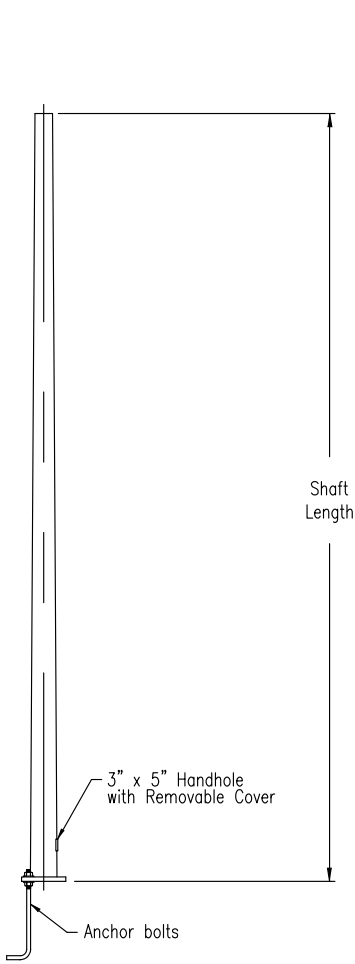


ORDERING NOMENCLATURE

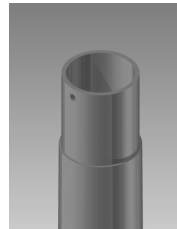
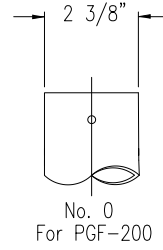


Catalog Number	Shaft Length (ft)	Bolt Dia (in)	Base OD (in)	BC Min (in)	BC Max (in)	Base Square (in)	Weight (lbs)	Max EPA			
								90 MPH	100 MPH	110 MPH	120 MPH
FU-140-X	14	0.75	5.8	8.5	9.5	11.5	113	30.0	28.4	23.1	19.3
FU-160-X	16	0.75	6.075	8.5	9.5	11.5	128	30.0	24.2	19.6	16.3
FU-180-X	18	0.75	6.35	9	9.5	11.5	143	25.8	20.4	16.5	13.7
FU-200-X	20	1	6.625	9.25	11.5	11.5	160	30.0	24.8	20.2	16.8
FU-250-X	25	1	7.313	10	11.5	11.5	202	28.1	22.3	18.0	14.8
FU-300-X	30	1	8	10.5	11.5	11.5	259	26.2	20.4	16.5	13.6
FU-350-X	35	1	8.688	11.25	11.5	11.5	315	22.4	17.5	13.9	11.3
FU-400-X	40	1.25	9.375	12	13	13.5	387	21.9	16.8	13.4	10.9

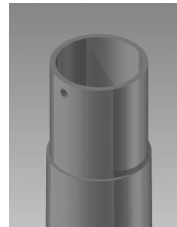
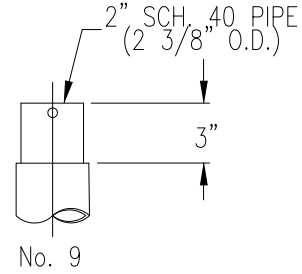
Ameron™ Series PGF Steel Post Top Mounted Garden Flood



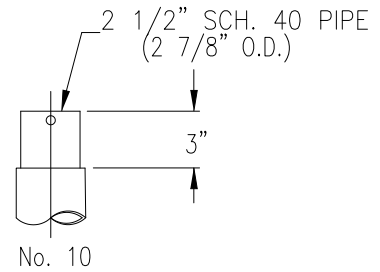
No. 0
For PGF-200



No. 9



No.10



Series PGF Design Information

Anchor Bolts:

If ordered, are galvanized and supplied with two nuts and two washers per bolt. They meet ASTM F1554 Grade 55 specification.

Finish:

Poles are galvanized in conformance to ASTM A123.

Options:

See page 20 for options and accessories.

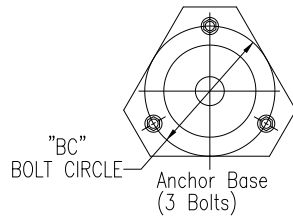
ORDERING NOMENCLATURE

POLE TYPE

PGF-100-10

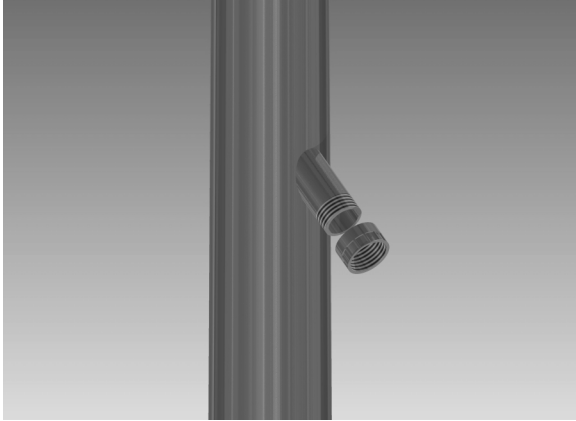
SHAFT LENGTH

TENON STYLE



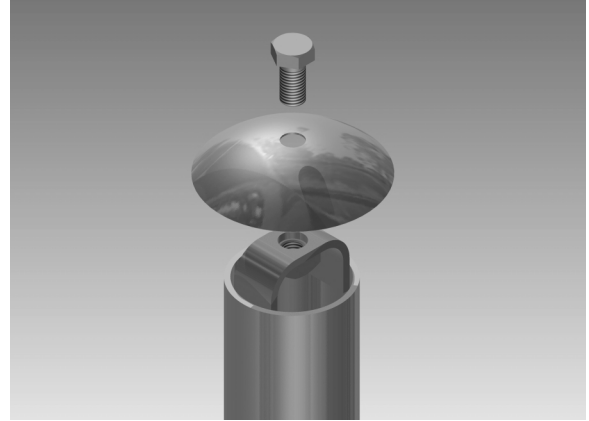
Catalog Number	Shaft Length (ft)	Bolt Dia (in)	Base OD (in)	BC Min (in)	BC Max (in)	Base Width (in)	Weight (lbs)	Max EPA			
								90 MPH	100 MPH	110 MPH	120 MPH
PGF-100-X	10	0.75	5.25	8	8	9	83	26.2	20.9	17.1	14.3
PGF-120-X	12	0.75	5.25	8	8	9	95	21.4	16.9	13.7	11.4
PGF-140-X	14	0.75	5.25	8	8	9	104	17.9	14.0	11.3	9.2
PGF-160-X	16	0.75	5.25	8	8	9	112	15.2	11.8	9.4	7.6
PGF-180-X	18	0.75	5.25	8	8	9	120	12.8	9.8	7.7	6.2
PGF-200-X	20	0.75	5.25	8	8	9	127	10.9	8.2	6.4	5.0

Options & Accessories



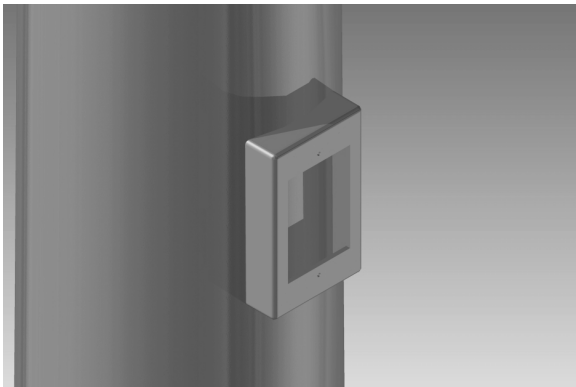
Modification No. 1

1 1/4" pipe wire inlet at 45° with insulating bushing.



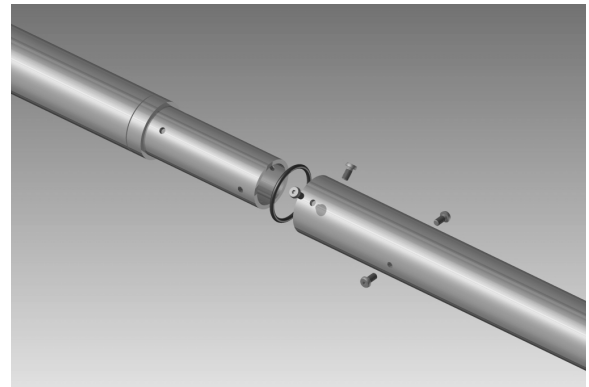
Modification No. 4

Pole top wire inlet to accommodate 3/4" insulator pin. (Pin not provided).
Cap supplied with 3/4" hex head bolt.



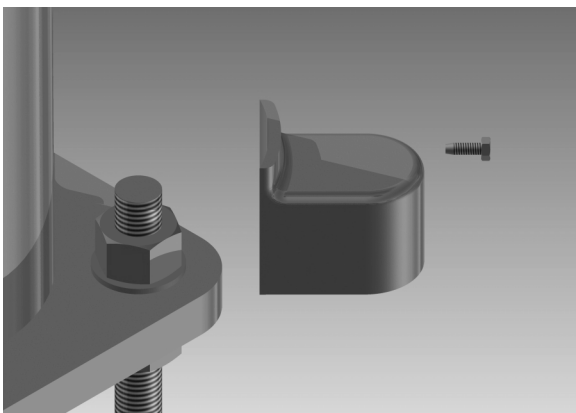
Modification No. 5

Festoon outlet (Weather proof cover and duplex receptacle optional)



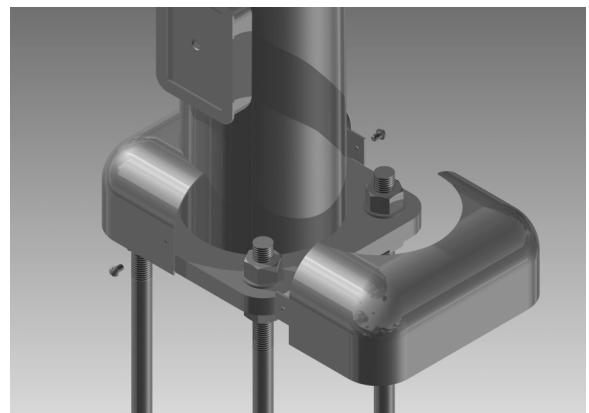
Arm Extension Detail

Flush slip joint mast arm attachment.
Standard on Series J and JS for arms in excess of 8'.



Accessory No. 20

Standard nut cover



Accessory No. 21

Standard base cover

Steel Product Specifications

Design:

Ameron lighting standards are designed in accordance to AASHTO "Standard Specification for Structural Supports for Highway Signs, Luminaires and Traffic Signals." Maximum EPA is based on 2009 AASHTO (3-second gust). For 2001 And 2013 AASHTO requirements use the 2009 AASHTO Maximum EPA.

Ameron disclaims any warranty associated with fatigue initiated by harmonic or induced vibration that is influenced by interacting variables in or around the vicinity of the installed product. It shall be the responsibility of the owner to routinely inspect and make essential maintenance from excessive vibration, or the effects thereof, including but not limited to cracking, bolt/nut loosening or other associated structural damage. Ameron does not recommend the installation of cantilever mast arms without affixing applied loadings. The components details are based on designs that have been reviewed and stamped by a professional engineer and are on file with the manufacturer.

Welding:

All welding is performed by pre-qualified welders and is in accordance with AWS (American Welding Society) D1.1.

Pole Shaft:

Pole shafts are smooth round and tapered at .1375" per foot. They are produced from high grade open-hearth steel with a minimum yield of 55 ksi after fabrication, meeting ASTM A595 Gr. A tolerances. The shaft is provided with a thickness of either 11 gauge (.1196") or 7 gauge (.1793"). The electrical resistance process welds a single full-length longitudinal seam.

Handhole:

Poles are supplied with a 3" x 5" or 4" x 6 1/2" nominal size handhole frame. The 3" x 5" frame is 1/4" x 2" steel bar and the 4" x 6 1/2" frame is 3/8" thick rectangular tubing. Handhole frames are drilled and tapped to accept a 1/2" hex head cap screw for grounding.

Finish:

The standard finish is hot dip galvanized conforming to ASTM A123. Prime or finish paint can be provided upon request.

Anchor Bolts:

Anchor bolts are fabricated from carbon steel round bar conforming to ASTM F1554 Gr. 55. The bolt is threaded on one end with an "L" bend on the other. Four bolts (three for PGF series) are provided with each pole. Each anchor bolt is furnished with two nuts and two flat washers. One hex nut is provided for leveling and the other to secure the base plate. Anchor bolts sizes are 1" x 36" x 4" and 1 1/4" x 42" x 6".

Anchor Base Plate:

The base plate is manufactured from hot rolled steel conforming to ASTM A36 specification. The pole shaft is telescoped into the base plate and circumferentially welded top and bottom. The bolt holes are slotted 1/4" over the anchor bolt size to allow for slight variation in the bolt circle of the anchor bolts.

Luminaire Arms:

Pipe arms are fabricated from 2" Schedule 40 ASTM A53 Gr. B or ASTM A500 Gr. B with a minimum yield of 42 ksi. Tapered arms are made from a high-grade open-hearth steel with a minimum yield of 48 ksi after fabrication.

Luminaire Arm Attachment:

One and two bolt connectors are steel castings conforming to ASTM A27 Gr. 65-35. Three bolt flanges are carbon steel conforming to ASTM A36. Luminaire mounting height tolerance is 6" (plus or minus).

Base/Nut Covers:

Full base covers may be provided in cast aluminum, pressed steel or plastic (acrylic polyvinyl). These come standard on Street Lighting Poles and are optional on Area Lighting Poles. The aluminum and steel base covers are two pieces. The plastic base cover is one piece. Nut covers for anchor bolts are cast aluminum. Each cover is secured to the pole with a self-tapping stainless steel screw.

Pole Top Cap:

Top caps may be cast aluminum or steel. These are secured to the pole with cup point set screws.

Fastening Hardware:

Structural fasteners for flanged connectors conform to ASTM A325, galvanized to ATM A153 or equal and casting connectors meet ASTM A307. All other fasteners under 1/2" are stainless steel.

Ameron Pole Products, LLC - Terms and Conditions of Sale for Steel Products

Terms:

Invoice is net and due 30 days from day of shipment.

Freight:

All products are priced and sold F.O.B. Tulsa, Oklahoma. Routing and method of shipment will be determined by Ameron Pole Products, LLC ("Ameron") to ensure the most efficient and economical shipment of products. The customer will assume charges for special services such as air freight, express delivery and multiple drops on one order.

Quotations:

Prices quoted are subject to receipt and acceptance of order within 30 days of the quotation. All quotations older than 30 days are subject to price changes or withdrawal. Ameron is the final authority issuing all quotations and bids, and approving the acceptance of all contracts and orders.

Returned Goods:

Ameron grants returns based on the resale potential of a product. All requests for returns shall be in writing through an Ameron Agent. A Return Material Authorization will be issued for any accepted return and should be used as a Bill of Material when shipping. A credit will be issued if agreed upon prior to return of product, with restocking fees predetermined by Ameron and freight prepaid by customer. Non-standard product will not be accepted as a return.

Cancellations:

All cancellations must be in writing by the customer and must be received in a timely manner. Any cancellation charges will be assessed based upon expenses already incurred by Ameron.

Claims For Shortages:

A notice of a shortage of material/parts must be in writing, within 5 working days of delivery. If no written notice is received within the allotted time, it will be deemed by Ameron that the customer has accepted material, complete with no discrepancies.

General:

Ameron reserves the right to make changes, without notice, to their specifications for product improvement, material availability and/or other commercial considerations.

Warranty:

Ameron warrants the goods delivered hereunder to be free from defects in material and workmanship for a period of one (1) year from the date of Ameron's shipment. Ameron's sole obligation and Customer's exclusive remedy for defects in the goods shall be limited, at Ameron's option, to either repair or replacement of goods determined to be defective. Any claim by Customer must be made by Customer to Ameron in writing within (5) days of the discovery of the claimed defect but in no event after the expiration of one (1) year from the date of Ameron's shipment, whichever is less. Customer's failure to so notify Ameron of such defects within the above time periods shall bar customer from any remedy under this Warranty, or for any recovery of damages or losses due to defects in the products.

THIS WARRANTY IS THE SOLE WARRANTY COVERING THE PRODUCTS AND AMERON MAKES NO OTHER WARRANTY OF ANY KIND, WHETHER EXPRESSED, IMPLIED OR STATUTORY, AND ALL IMPLIED WARRANTIES OF MERCHANTABILITY AND FITNESS FOR A PARTICULAR PURPOSE ARE HEREBY DISCLAIMED BY AMERON AND EXCLUDED FROM THIS WARRANTY. IN NO EVENT SHALL AMERON BE LIABLE FOR CONSEQUENTIAL, COMPENSATORY, PUNITIVE OR INCIDENTAL DAMAGES HOWSOEVER ARISING FROM AMERON'S PERFORMANCE OF THIS CONTRACT OR THE PERFORMANCE OF THE GOODS.

This warranty shall not apply to goods or products which have been repaired or altered by other than authorized representatives of Ameron or to damage or defects caused by accident, vandalism, acts of god, corrosion, erosion, normal wear and tear, improper selection by Customer or others, and other causes beyond Ameron's control. This warranty shall not apply to the misapplication, improper installation, or misuse of the goods caused by variations in the environment, the inappropriate extrapolation of data provided, the failure of Customer or others to adhere to pertinent specifications or industry practices, or otherwise.



National Oilwell Varco has produced this brochure for general information only, and it is not intended for design purposes. Although every effort has been made to maintain the accuracy and reliability of its contents, National Oilwell Varco in no way assumes responsibility for liability for any loss, damage or injury resulting from the use of information and data herein. All applications for the material described are at the user's risk and are the user's responsibility.

Corporate Headquarters
7909 Parkwood Circle Drive
Houston, Texas 77036
USA

Pole Products
2333 S. Yukon
Tulsa, OK 74107
1.800.282.6376
USA