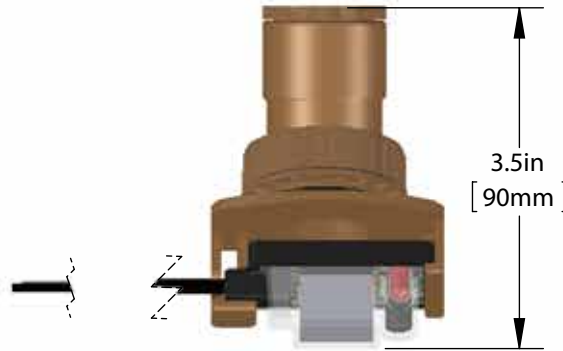
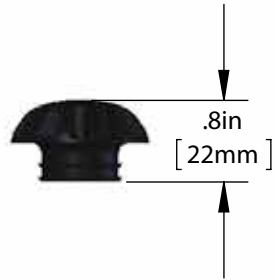


### VIBRATION ISOLATORS

### AG-4200

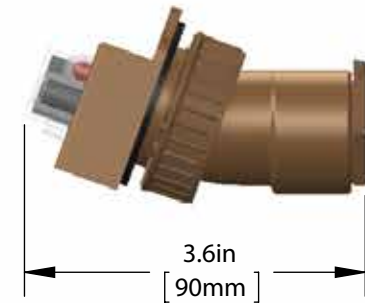
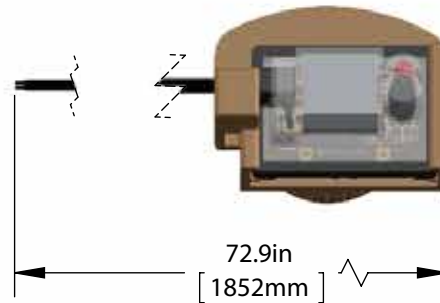
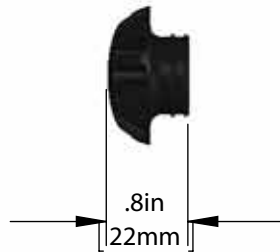
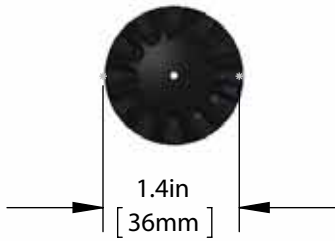
C

C



B

B



**NOTES:**  
 Water sensor for Goliath and Spartan Series Pans.  
 Included-Drain Port Assembly & 14 Vibration Isolators.

ENGINEERING	NAME	DATE
DRAWN BY ENG.	DS	1/12/12
CHECKED BY ENG.	JK	1/12/12
ENG APPR.	CC	1/12/12
MFG APPR.	CC	1/12/12



2601 Spenwick Drive,  
 Houston, TX 77055  
 800-231-3345

UNLESS OTHERWISE SPECIFIED:

PROPRIETARY AND CONFIDENTIAL

DIMENSIONS ARE IN INCHES  
 TOLERANCES:  
 FRACTIONAL ±.032  
 ANGULAR: MACH ±.5° BEND ±2°  
 TWO PLACE DECIMAL ±.010  
 THREE PLACE DECIMAL ±.005

THE INFORMATION CONTAINED IN THIS DRAWING IS THE SOLE PROPERTY OF RESOURCE CONSERVATION TECHNOLOGIES, INC. ANY REPRODUCTION IN PART OR AS A WHOLE WITHOUT THE WRITTEN PERMISSION OF RESOURCE CONSERVATION TECHNOLOGIES IS PROHIBITED.

INTERPRET GEOMETRIC TOLERANCING PER: ANSI Y14.5, 1994

TITLE:

AG-4200 SPECIFICATION SHEET

SIZE  
A

SCALE: 1:2

SHEET 1 OF 1

A