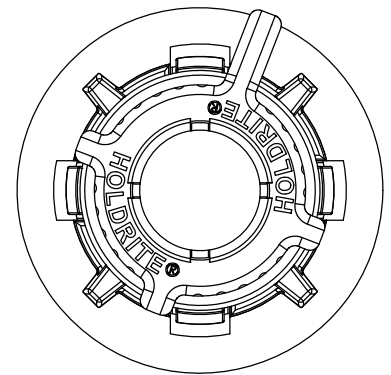
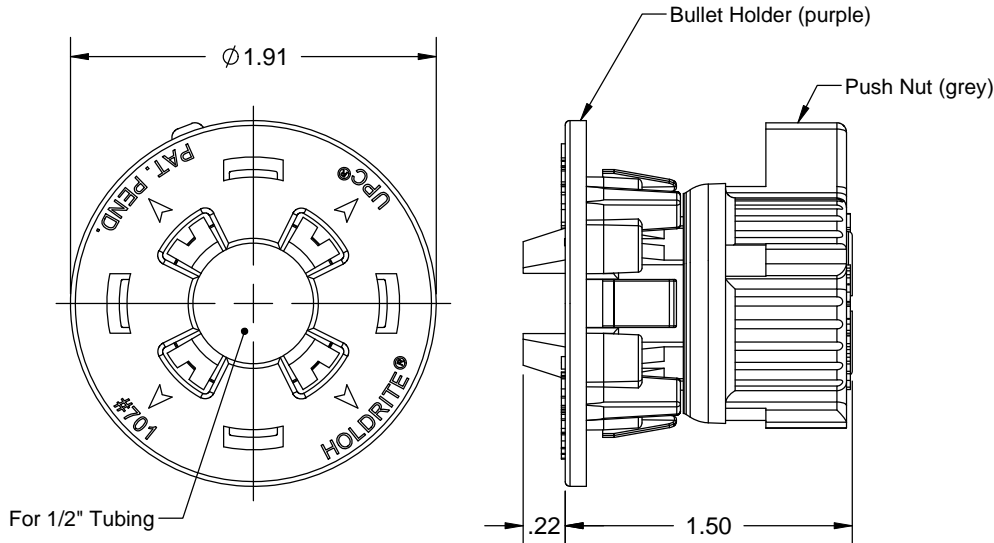
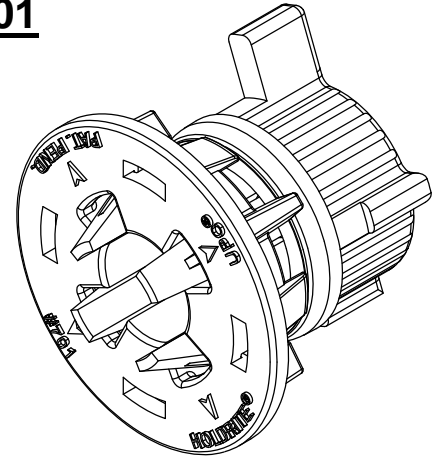


PRODUCT SPECIFICATION DRAWING

HOLDRITE® LOCK-n-LOAD™ #701



The HOLDRITE® LOCK-n-LOAD™ #701 is a clamp that mounts into our #103, #709, #110-R or #721 Series Bracket. This clamp requires no hardware to install and is designed to firmly grip fixture stub-outs such as bullets or similar 1/2" CTS tubing. The HOLDRITE LOCK-n-LOAD #701 is for use with PEXRITE Brackets only.

Product Information:

- Material: Nylon
- Color: Purple (Bullet Holder), Grey (Push Nut)
- Temperature range: -10°F to +140°F (tentative)
- Load rating: 25 pounds
- UPC / IPC / IAPMO listed
- Materials meet UL94V-2 flame resistance



THIS INFORMATION IS PROPRIETARY TO HOLDRITE AND IS SUBJECT TO CHANGE WITHOUT NOTICE. IT MAY NOT BE REPRODUCED IN PART OR WHOLE WITHOUT WRITTEN AUTHORIZATION.



CONVERTING MAKESHIFT METHODS INTO ENGINEERED SOLUTIONSSM
 800-321-0316 OR 760-744-6944 / FAX: 760-744-0507 / WWW.HOLDRITE.COM
 spec_701_RevJ

Product Submittal	
Job Name:	
Date:	
Part Number:	Qty:
Architect / Owner:	
Contractor:	
Notes:	