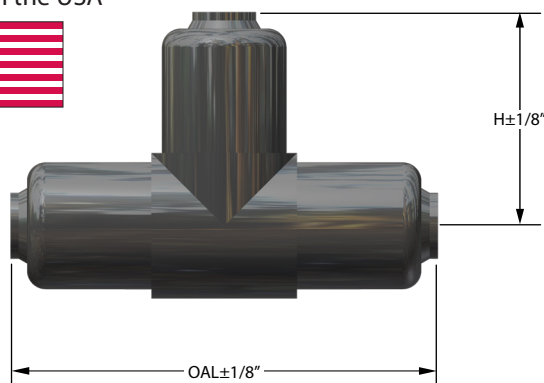
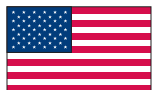


CON-STAB ID SEAL® FITTINGS

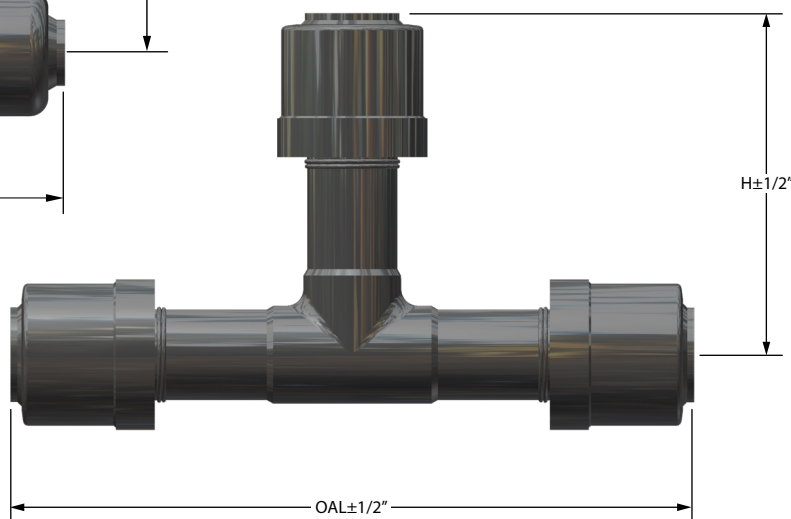
3-Way Tees

The Con-Stab meets the following standards:

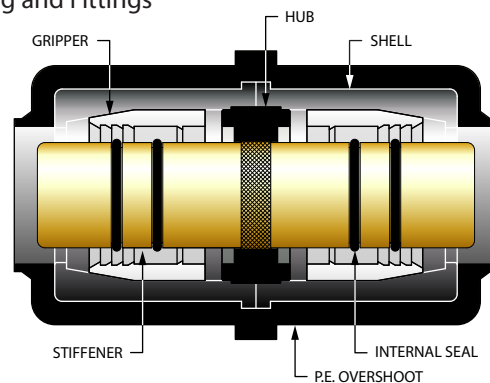
- ▶ ASTM D 2513 "Standard Specification for Thermoplastic Gas Pressure Pipe, Tubing and Fittings"
- ▶ ASME B31.8-1995 "Gas Transmission and Distribution Piping Systems"
- ▶ D.O.T., Title 49 of the Code of Federal Regulations, Part 192.283 (b)
- ▶ NFPA 58, LP-Gas Code and NFPA 54 National Fuel Gas Code
- ▶ CSA
- ▶ ICC – International Plumbing Code
- ▶ IAPMO – Uniform Plumbing Code
- ▶ First Stab Connector to be rated at 125 psi
- ▶ Continental is a ISO 9001 Certified Company
- ▶ Made in the USA



TYPE I



TYPE II



SIZE	WALL	PART NUMBER (3408/4710)	PART NUMBER (2406)	TYPE	"OAL"	"H"
1/2" CTS (5/8" OD)	.062	3259-50-1004-AA	3369-50-1004-AA	I	5 1/2"	2 15/16"
	.090	3259-50-1004-00†‡	3369-50-1004-00‡			
3/4" IPS	SDR-11 (.095)	3259-50-1013-00†‡	3369-50-1013-00‡	I	6"	3 1/16"
1" CTS (1 1/8" OD)	.090	3259-50-1008-AA‡	3369-50-1008-AA‡	I	6"	3 1/16"
	.099/.101	3259-50-1008-00‡	3369-50-1008-00‡			
1" IPS	SDR-11 (.119)	3259-50-1014-00†‡	3369-50-1014-00‡	I	6 1/4"	3 1/4"
	SDR-10 (.151)	3259-50-1015-AA	3369-50-1015-AA			
1 1/4" IPS	SDR-11 (.166)	3259-50-1015-00†	3369-50-1015-00	II	17 1/2"	8 13/16"
	SDR-11 (.216)	3259-50-1017-00†‡	3369-50-1017-00			

- Con-Stab ID Seal® fittings rated for 125 psig.
- † = CSA Approved / ‡ = IAPMO/UPC Listed

