

# SUBMITTAL

# MicroMetl

FORM NO. 4347-2P

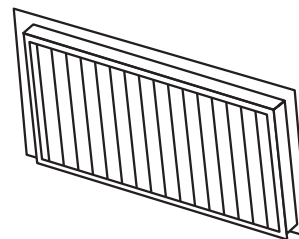
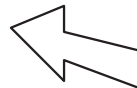
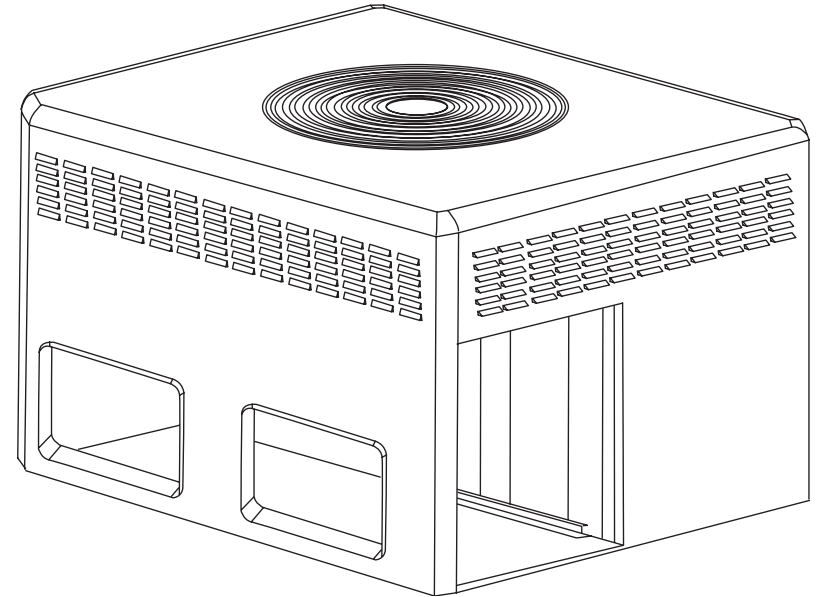
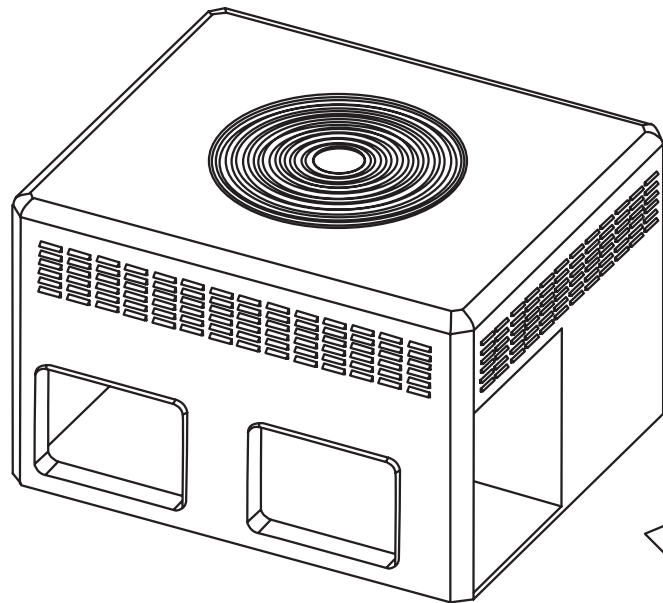
DATE: 4/12

SUBMITTED TO \_\_\_\_\_  
 COMPANY: \_\_\_\_\_  
 DRAWN BY: \_\_\_\_\_  
 JOB NAME: \_\_\_\_\_  
 EQUIPMENT: \_\_\_\_\_  
 NOTES: \_\_\_\_\_

Combination 1" & 2" Filter Rack for Down or Horizontal Applications for Trane 2WCC,YCC,YCX 3024-3060; 2WCX,4TCC,TCX,YCC,WCX,YCX 3018-3060; 4DCY 4024-4060; 4DCZ,W CZ,YCZ 6036,6048,6060; 4TCY,W CY,YCY 4024-4060; 4WCC 3018,3036,4042-4060 Units

Part Number:

**FLRK-I213-TD**  
**FLRK-I235-TD**



Part Number	Units
FLRK-I213-TD	2WCC,YCC,YCX 3024-3036; 2WCX,4TCC,TCX,YCC,YCX 3018-3036; 4DCY 4024,4036; 4DCZ,W CZ,YCZ 6036; 4TCY,W CY,YCY 4024-4036; 4WCC,W CX 3018,3036
FLRK-I235-TD	2WCC,W CX,YCC,YCX,4TCC, TCX,W CX,YCC 3042-3060; 4DCY 4048,4060; 4DCZ,W CZ,YCZ 6048,6060; 4TCY,W CC,W CY 4042-4060; 4YCX 3048,3060; 4YCY 4042-4060

THIS DOCUMENT IS THE PROPERTY OF MICROMETL CORPORATION AND IS DELIVERED UPON THE EXPRESS CONDITION THAT THE CONTENTS WILL NOT BE DISCLOSED OR USED WITHOUT MICROMETL'S WRITTEN CONSENT.