

# SUBMITTAL

# MicroMetl

FORM NO. 4343-5P

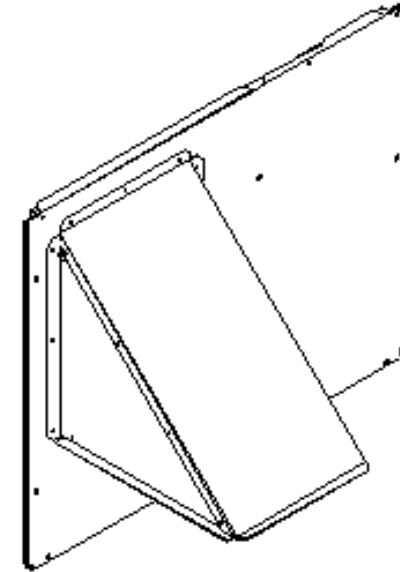
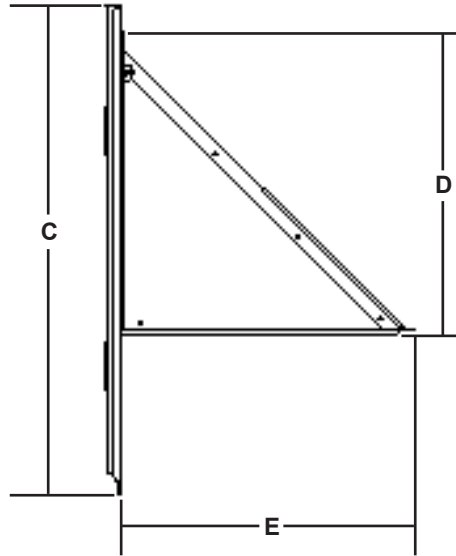
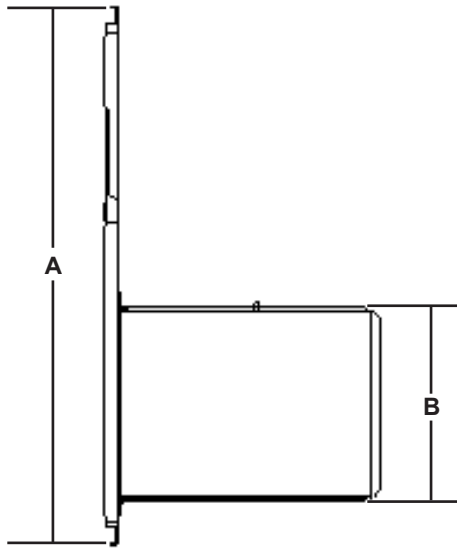
DATE 4/12

SUBMITTED TO \_\_\_\_\_  
 COMPANY: \_\_\_\_\_  
 DRAWN BY: T. Hubbard  
 JOB NAME: \_\_\_\_\_  
 EQUIPMENT: \_\_\_\_\_  
 NOTES: \_\_\_\_\_

Manual Outside Air Intake for Trane I2  
 2WCC,YCC,YCX 3024-3060; 2WCX,4TCC,TCX,YCC 3018-3060;  
 4DCY 4024,4036,4048,4060; 4DCZ,WCZ,YCZ 6036,6048,6060;  
 4TCY,WCY,YCY 4024-4060; 4WCC,WCX 3018,3036,3042-3060;  
 4YCX 3018-3036,3048,3060 Units

Part Number:

**OAM-I213-TD**  
**OAM-I235-TD**



Trane Unit	MicroMetl Part Number
2WCC,YCC,CYX 3024-3036; 2WCX,4TCC,TCX,YCC,TCX 3018-3036; 4DCY,TCY,YCY,WCY 4024-4036; 4DCZ,WCZ,YCZ 6036; 4WCC,WCX 3018,3036	OAM-I213-TD
2/4WCC,WCX,YCC,2YCX,4TCC,TCX 3042-3060; 4DCY 4048,4060; 4DCZ,WCZ,YCZ 6048,6060; 4TCY,WCY,YCY 4042-4060; 4YCX 3048,3060	OAM-I235-TD

MicroMetl Part Number	A	B	C	D	E
OAM-I213-TD	22.42	9.22	20.70	12.90	12.39
OAM-I235-TD	25.42	9.22	20.70	12.90	12.39

THIS DOCUMENT IS THE PROPERTY OF MICROMETL CORPORATION AND IS DELIVERED UPON THE EXPRESS CONDITION THAT THE CONTENTS WILL NOT BE DISCLOSED OR USED WITHOUT MICROMETL'S WRITTEN CONSENT.