

SPECIFICATIONS

TANK LEVER HANDLE

Description

- Fits front mount tanks
- Fits 5/8" hole

Standards



- ADA Accessibility Guidelines for Buildings and Facilities - 309.4 Operation for Operable Parts

Warranty

Danze products are covered by a manufacturer s limited "lifetime" warrantyfor manufacturing defects.



D492045BN-South Sea™

Available Colors & Finish

- Brushed Nickel (BN)



D492058-Parma™

Available Colors & Finish

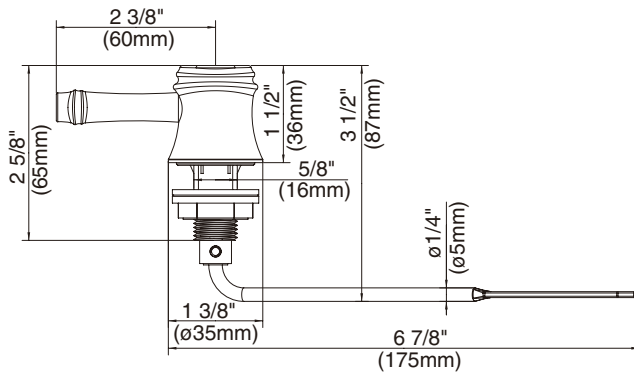
- Chrome
- Brushed Nickel (BN)



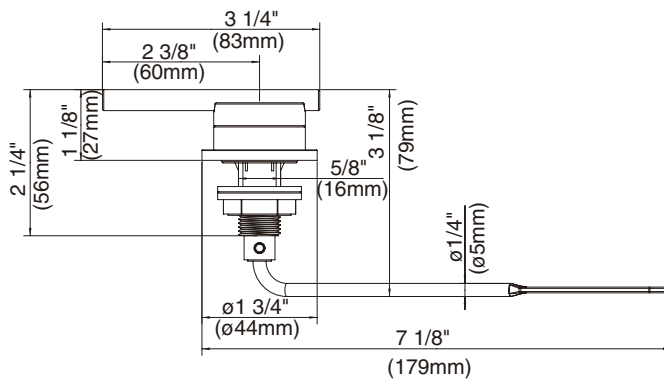
D492044-Sirius™

Available Colors & Finish

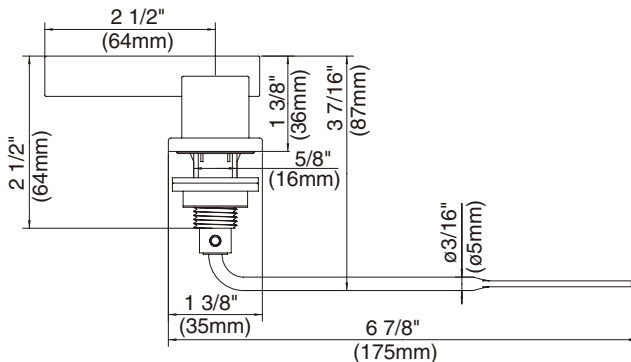
- Chrome
- Brushed Nickel (BN)



D492045



D492058



D492044

Submittal Information:

Job Name: _____

Location: _____

Contractor: _____

Contact #: _____