



5320-TCP

Description

15 Amp, 125 Volt, NEMA 5-15R, 2P, 3W, With Ears Duplex Receptacle, Straight Blade, Residential Grade, Grounding, All Screws Backed Out Contractor Pack, Quickwire Push-In & Side Wired, Steel Strap, - Light Almond

Product Features

Color: Light Almond



NEMA: 5-15R



Grounding: Grounding

Feature: All Screws Backed Out Contractor Pack

Amperage: 15 Amp

Voltage: 125 Volt

NEMA: 5-15R

Pole: 2

Wire: 3

Termination: Quickwire Push-In & Side

Face Material: Thermoplastic

Body Material: Thermoplastic

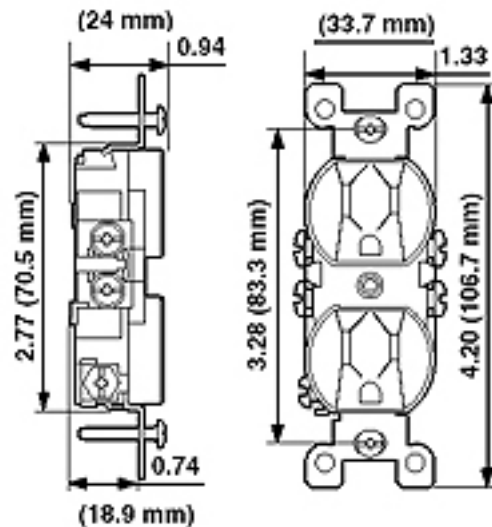
Strap Material: Steel

Color: Light Almond

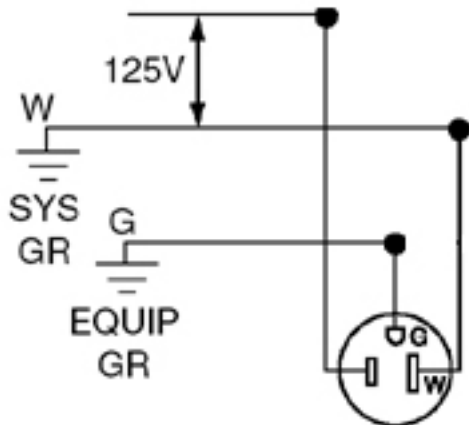
Standards and Certifications: UL

Warranty: 2 Year Limited

Dimensional Diagram



Wiring Diagram



5-15R

SPECIFICATION SUBMITTAL

JOB NAME: <input style="width: 90%;" type="text"/>	CATALOG NUMBERS: <input style="width: 95%;" type="text"/>
JOB NUMBER: <input style="width: 80%;" type="text"/>	<input style="width: 95%;" type="text"/>

Leviton Manufacturing Co., Inc.

59-25 Little Neck Parkway, Little Neck, NY 11362-2591

Telephone: 1-800-323-8920 · FAX: 1-800-832-9538 · Tech Line (8:30AM-7:30PM E.S.T. Monday-Friday): 1-800-824-3005

Leviton Manufacturing of Canada, Ltd.

165 Hymus Boulevard, Pointe Claire, Quebec H9R 1E9 · Telephone: 1-800-469-7890 · FAX: 1-800-824-3005

Leviton S. de R.L. de C.V.

Lago Tana 43, Mexico DF, Mexico CP 11290 · Tel.: (+52)55-5082-1040 · FAX: (+52)5386-1797 · www.leviton.com.mx



Visit our Website at: www.leviton.com

©2007 Leviton Manufacturing Co., Inc. All rights reserved. Subject to change without notice.