

Installation Instructions

Wind Baffle Part # WB-PA1

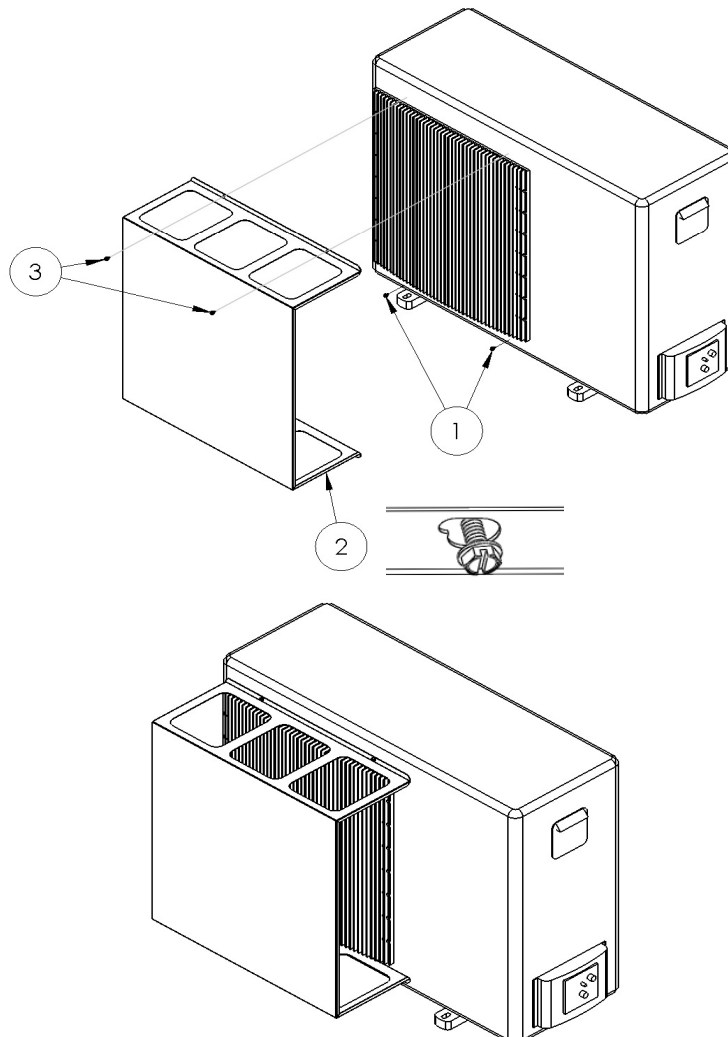
WARNING! MOVING PARTS. INCORRECT HANDLING COULD LEAD TO DEATH OR INJURY!

IMPORTANT! Outdoor Unit should be installed with back coil surface facing a wall or oriented so the wind does NOT blow directly on to the back coil surface. Do not install this product where there is any obstacle at either side or above the outdoor unit. If the discharge air is obstructed the air may be short cycled.

Steps:

1. Insert the 2 lower screws part way first.
2. Slide baffle into position using slots provided.
3. Install remaining screws and tighten all 4 screws securely. Repeat with all baffles.

ENSURE BAFFLE OUTLETS WILL NOT BE BLOCKED OR OBSTRUCTED !



Manufactured for Mitsubishi Electric US, Inc.

© 2012 Mitsubishi Electric US, Inc.