

# SPECIFICATION SUBMITTAL SHEET



**“CLASSIC” BATH WASTE & OVERFLOW with Test Kit**

Job Name: \_\_\_\_\_  
 Job Location: \_\_\_\_\_  
 Engineer: \_\_\_\_\_  
 Approval: \_\_\_\_\_

Contractor: \_\_\_\_\_  
 Approval: \_\_\_\_\_  
 Contractor's PO#: \_\_\_\_\_  
 Representative: \_\_\_\_\_

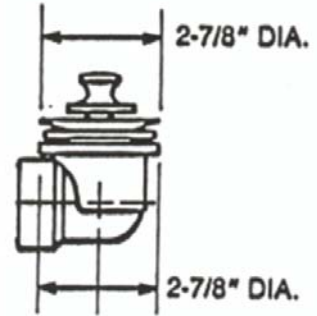
## Specifications

- “Classic” Bath Waste & Overflow with Test Kit
- Half Kits—Rough-In Only
- Less Pipe and Tee
- Includes Brass Strainer 1-1/2” x 11-1/2” Pipe Size

UPC Listed

Manufactured to ASME Standard

ASME A 112.18.2-2005 / CSA B 125.2-05



√	Product Code	Description	Model #
	62070	ABS - Chrome	ABA2217RI
	62072	ABS - Chrome with Zinc Strainer	ABA2217RIPZ
	62497	ABS - Satin Nickel	ABA2221SNRI
	62262	ABS - Venetian Bronze	ABA2221VBRI
	62492	ABS - Oil Rubbed Bronze	ABA2221ORBRI
	62073	PVC - Chrome	ABA2218RI
	62078	PVC - Chrome with Slip Condensate Overflow Elbow	ABA22181RICOS
	62074	PVC - Chrome with Threaded Condensate Overflow Elbow	ABA22181RICOT
	62075	PVC - Chrome with Metal Test Kit	ABA2218RIM
	62076	PVC - Chrome with Zinc Strainer	ABA2218RIZ
	62079	PVC - Chrome with Zinc Strainer for Turn Top Stopper	ABA2251RIZ
	62088	PVC - Satin Nickel	ABA2222SNRI
	62263	PVC - Venetian Bronze	ABA2222VBRI
	62249	PVC - Oil Rubbed Bronze	ABA2222ORBRI

