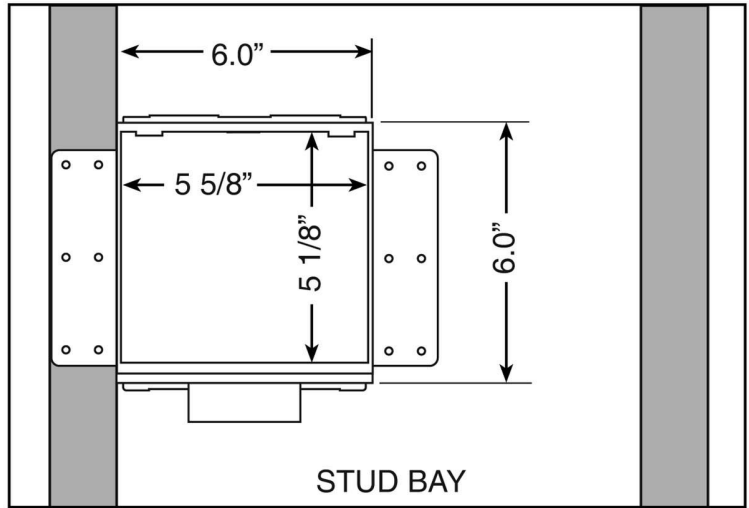
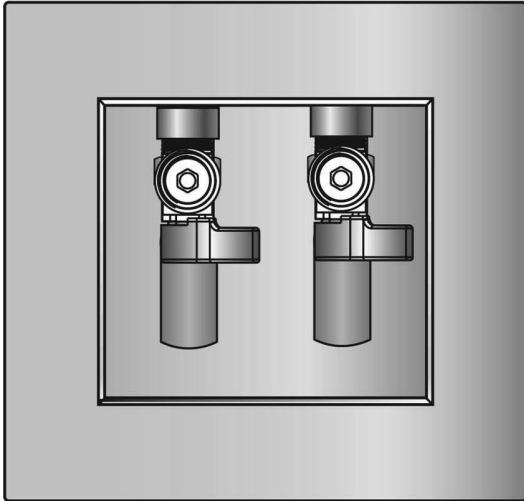
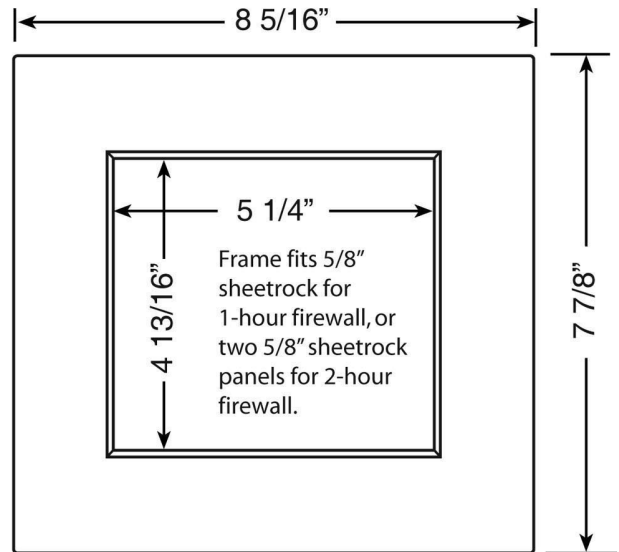


SPECIFICATION SUBMITTAL SHEET



SPECIFICATIONS



✓	PROD. CODE

MODEL#	DESCRIPTION



www.ipscorp.com ipscorp@aol.com

202 Industrial Park Ln, P.O. Box 220 Collierville, TN 38027, USA ■ TEL: 901-853-5001 ■ WATS: 800-888-8312 ■ FAX: 901-853-5008
 455 West Victoria, Compton, CA 90220, USA ■ TEL: 310-898-3300 ■ WATS: 800-421-2677 ■ FAX: 310-898-3390