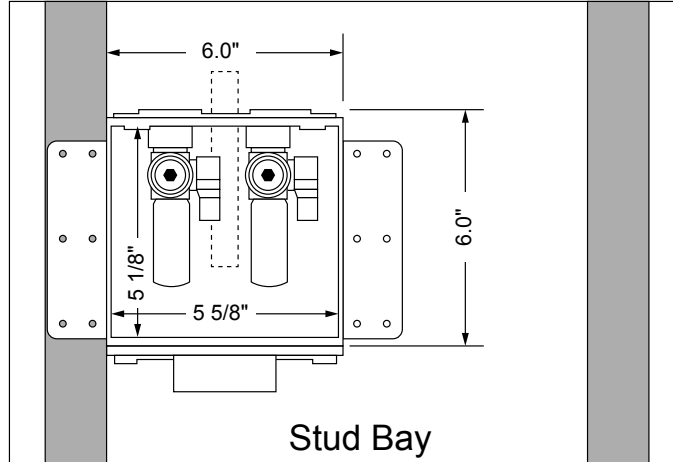
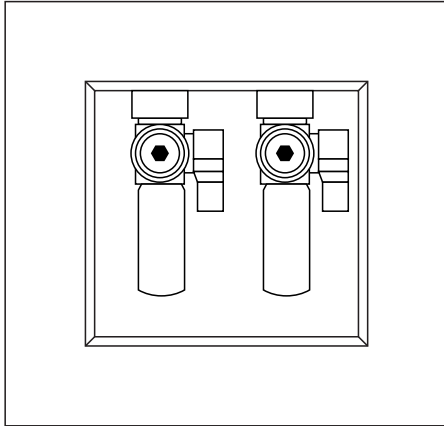




**"FR-12" Plastic WMOB
with Quarter Turn Arrester Valves**



Specifications:

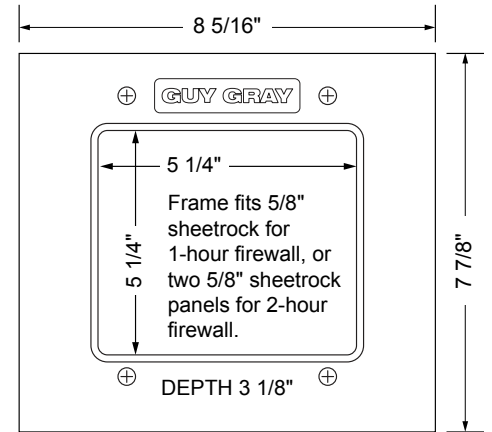
Furnish and install fire rated recessed washing machine outlet box. Unit shall have brass quarter-turn hammer arrester valves as noted below. Unit shall be Guy Gray product code checked below as manufactured by IPS Corporation.

Box Material:

PVC Resin & Intumescent Pad attached

Valve & Drain Option:

Domestic Valve with 1/2" MIP/Sweat, CPVC, PEX, Wirsbo, or REHAU EVERLOC+™ connection furnished. Valves comply with ASME A112.18.1 and ASSE 1010.



Item #	Product Description	Model #	Quantity
82371	Qtr Turn Valves, 1/2" Sweat Conx.	FR12SHA	5
82373	Qtr Turn Valves, 1/2" CPVC Conx.	FR12CHA	5
82375	Qtr Turn Valves, 1/2" Pex Conx.	FR12PHA	5
82377	Qtr Turn Valves, 1/2" Wirsbo® Connection	FR12WHA	5
CONTRACTOR PACKS			
82372	Qtr Turn Valves, 1/2" Sweat Conx.	FR12SHACP	10
82374	Qtr Turn Valves, 1/2" CPVC Conx.	FR12CHAP	10
82376	Qtr Turn Valves, 1/2" Pex Conx.	FR12PHACP	10
82378	Qtr Turn Valves, 1/2" Wirsbo® Connection	FR12WHACP	10
83371	Qtr Turn Valves, 1/2" REHAU EVERLOC+™ Conx	FR12RHACP	10



500 Distribution Parkway, Collierville, TN 38017 ▪ Phone: 800-888-8312 ▪ Fax: 901-853-5008 ▪ www.ipscorp.com