



BRADFORD WHITE[®]
W A T E R H E A T E R S

COMMERCIAL REPLACEMENT PARTS LIST
Energy Saver Commercial Gas
Millivolt (DM) Models

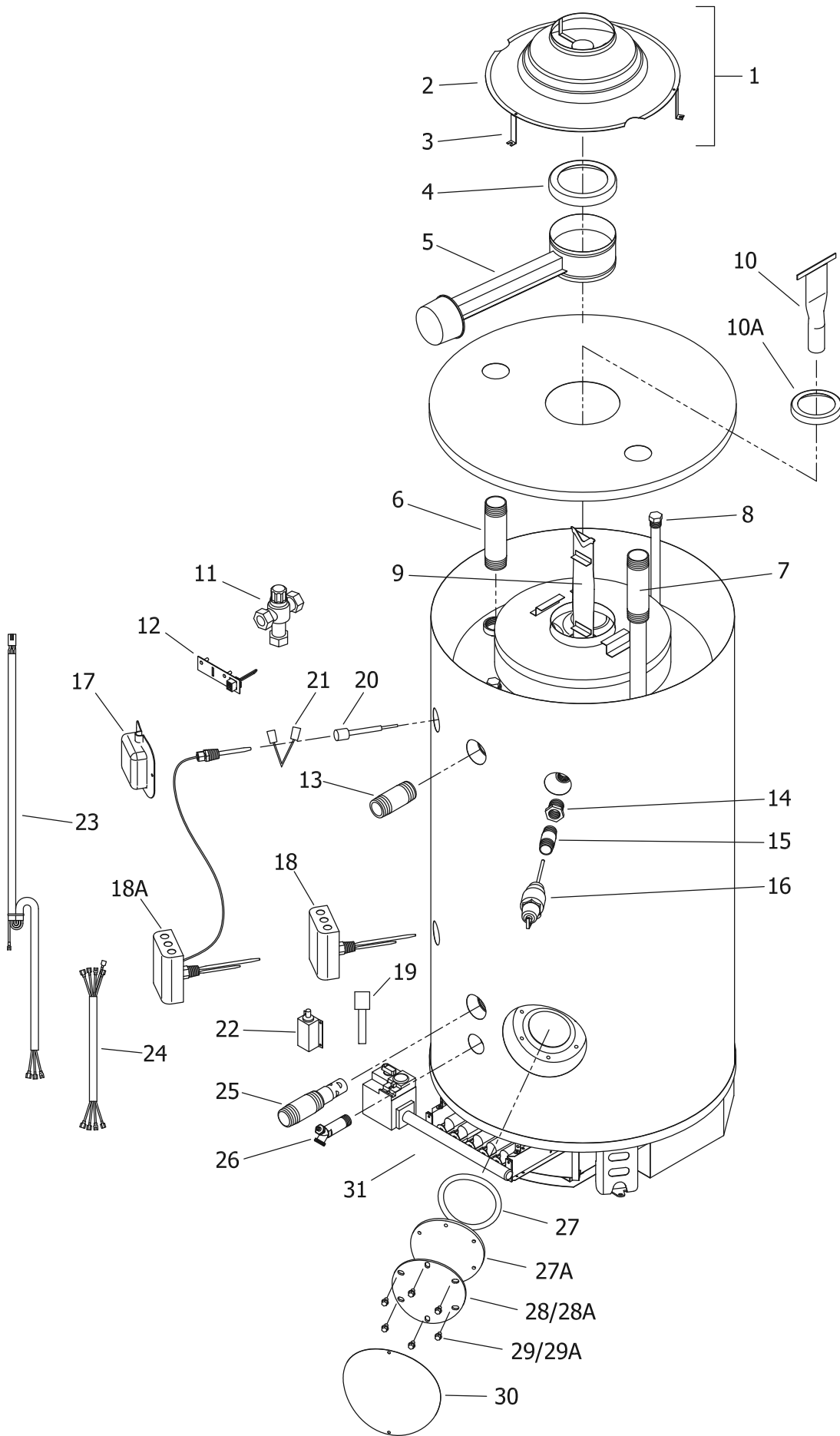


Includes Hydrojet[®]
Total Performance System

Effective: May, 2011
ECO 7428

**NOTE: BOTH MODEL AND SERIAL
NUMBERS ARE REQUIRED FOR
ORDERING REPLACEMENT PARTS**

Dimensions and specifications
subject to change without notice.



| Item Description | Model | Model | Model | Model | Model |
|--|------------------------|-----------------------|-----------------------|-----------------------|-----------------------|
| | DM38T155(E)*(N,X) | DM75T125(E)*(N,X) | DM75T160(E)*(N,X) | DM80T180(E)*(N,X) | DM80T199(E)*(N,X) |
| 1 Draft Diverter Complete with Leg Kit | 265-46541-00 | 265-46542-00 | 265-46543-00 | 265-46544-00 | 265-46544-00 |
| 2 Draft Diverter Only | 243-81733-00-01 | 243-82000-01-01 | 243-81998-00-01 | 243-81986-00-01 | 243-81986-00-01 |
| 3 Draft Diverter Leg Kit Only | 243-43690-02 | 243-43689-02 | 243-43690-06 | 243-43690-02 | 243-43690-02 |
| 4 Flue Damper Reducer | --- | 239-81980-00 | 239-81980-00 | --- | --- |
| 5 Flue Damper Complete | 239-42806-00 | 243-42823-00 | 243-42823-00 | 239-42806-00 | 239-42806-00 |
| 6 Hot Water Outlet Nipple (Top) | --- | 229-40913-01 | 229-40913-01 | 229-40913-01 | 229-40913-01 |
| 7 Cold Water Inlet Diptube (Top) | --- | 229-46709-01 | 229-46709-01 | 229-46709-03 | 229-46709-03 |
| 8 Plug Type Anode Rod (Magnesium) | 224-47782-09 (Qty. 3) | 224-47782-06 (Qty. 2) | 224-47782-06 (Qty. 2) | 224-47782-11 (Qty. 2) | 224-47782-11 (Qty. 2) |
| Plug Type Anode Rod (Aluminum) | 224-38508-02 (Qty. 3) | 224-38508-03 (Qty. 2) | 224-38508-03 (Qty. 2) | 224-38508-03 (Qty. 2) | 224-38508-03 (Qty. 2) |
| 9 Flue Baffle | 243-81683-00 (Qty. 11) | --- | --- | 243-81563-00 (Qty. 8) | 243-82118-00 (Qty. 8) |
| 10 Flue Core | --- | 239-81476-00 (Qty. 2) | --- | --- | --- |
| 10A Flue Reducer | --- | 243-36920-00 | 243-36920-00 | --- | --- |
| 11 ASSE Approved Mixing Valve (Optional) | 239-43740-02 | 239-43740-02 | 239-43740-02 | 239-43740-02 | 239-43740-02 |
| 12 Damper Service Plate with Kit | 243-42805-00 | 243-42805-00 | 243-42805-00 | 243-42805-00 | 243-42805-00 |
| 13 Hot Water Outlet Nipple (Side) | 229-40913-02 | 229-40913-02 | 229-40913-02 | 229-40913-02 | 229-40913-02 |
| 14 1" NPT to 3/4" NPT Reducer Bushing | 239-02052-00 | --- | --- | 239-02052-00 | 239-02052-00 |
| 15 3/4" NPT Nipple | 229-32762-04 | 229-32762-04 | 229-32762-04 | 229-32762-04 | 229-32762-04 |
| 1" NPT Nipple | --- | --- | --- | --- | --- |
| 16 T&P Valve | 230-30246-00 | 230-30246-00 | 230-30246-00 | 230-30246-00 | 230-30246-00 |
| 17 Utility Cover | 239-80281-03 | 239-80281-03 | 239-80281-03 | 239-80281-03 | 239-80281-03 |
| 18 Thermostat (Single Probe) | 265-48921-00 | 265-48921-00 | 265-48921-00 | --- | --- |
| 18A Thermostat (Dual Probe) | --- | --- | --- | 265-47524-00 | 265-47524-00 |
| 19 Harness-ECO Adapter † | 239-47527-00 | 239-47527-00 | 239-47527-00 | 239-47527-00 | 239-47527-00 |
| 20 Thermal Immersion Well † | --- | --- | --- | 239-46558-02 | 239-46558-02 |
| 21 Mounting Clamp † | --- | --- | --- | 239-47206-00 | 239-47206-00 |
| 22 Piezo Igniter | 239-41065-00 | 239-41065-00 | 239-41065-00 | 239-41065-00 | 239-41065-00 |
| 23 Harness-Flue Damper | 239-42799-02 | 239-42799-01 | 239-42799-01 | 239-42799-03 | 239-42799-03 |
| 24 Harness-Gas Valve & Thermostat | 239-47528-01 | 239-47528-01 | 239-47528-01 | 239-47528-01 | 239-47528-02 |
| 25 Cold Water Inlet Diptube (Side) | 229-44731-00 | 229-44731-00 | 229-44731-00 | 229-44731-00 | 229-44731-00 |
| 26 Brass Drain Valve | 265-42351-04 | 265-42351-04 | 265-42351-04 | 265-42351-04 | 265-42351-04 |
| 27 Cleanout O-Ring Gasket | 205-18427-00 | 205-18427-00 | 205-18427-00 | 205-18427-00 | 205-18427-00 |
| 27A Cleanout Gasket (ASME) | --- | --- | --- | --- | --- |
| 28 Cleanout Cover | 205-18428-00 | 205-18428-00 | 205-18428-00 | 205-18428-00 | 205-18428-00 |
| 28A Cleanout Cover (ASME) | --- | --- | --- | --- | --- |
| 29 Cleanout Cover Screw | 239-82166-00 | 239-82166-00 | 239-82166-00 | 239-82166-00 | 239-82166-00 |
| 29A Cleanout Cover Screw (ASME) | --- | --- | --- | --- | --- |
| 30 Cleanout Access Cover | 243-20299-00 | 243-20299-00 | 243-20299-00 | 243-20299-00 | 243-20299-00 |

* Applies to all warranties

** Ordering a complete burner rack may increase delivery time. Please order the specific component required for the quickest delivery. Does not include item 45.

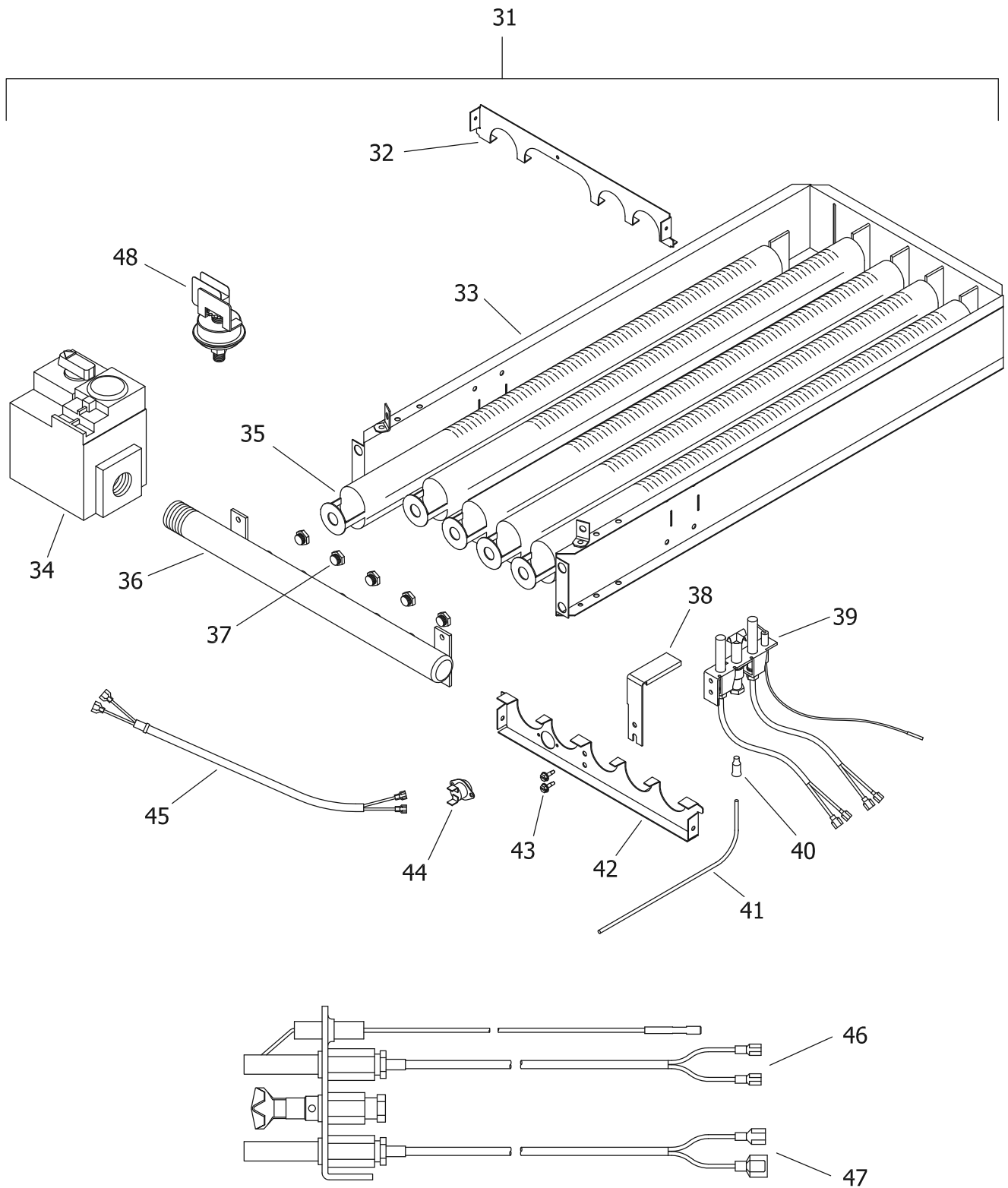
*** No LP version model available.

† Required when replacing Thermostats (Item 18 & 18A) on models prior to HF15207493.

▲ Applies when "E" is present in model number (Example: D38T155E3N).

▲▲ For models with serial number beginning with AG and prior.

▲▲▲ For models with serial numbers beginning with AH or later.



THERMOPILE DETAIL

| Item Description | Model | Model | Model | Model | Model |
|--|-------------------------|-----------------------|-------------------------|-------------------------|-----------------------|
| | DM38T155(E)*(N,X) | DM75T125(E)*(N,X) | DM75T160(E)*(N,X) | DM80T180(E)*(N,X) | DM80T199(E)*(N,X) |
| 31 Burner Rack Complete (Natural Gas) ** | 243-42814-09 | 243-42813-01 | 243-42814-01 | 243-42814-05 | 243-42814-03 |
| Burner Rack Complete (Natural Gas) (Lo NOX) **▲ | 243-42937-05 | 243-42936-01 | 243-42937-01 | 243-42937-03 | 243-42937-02 |
| Burner Rack Complete (LP Gas) ** | 243-42814-02 | 243-42813-02 | 243-42814-02 | 243-42814-06 | 243-42814-04 |
| 32 Draft Panel | 239-39419-00 | 239-39419-00 | 239-39419-00 | 239-39419-00 | 239-39419-00 |
| 33 Burner Rack Only | 233-81969-01 | 243-82107-00 | 233-81969-01 | 233-81969-01 | 233-81969-01 |
| 34 Gas Valve (Natural Gas) | 265-45510-01 | 265-45510-01 | 265-45510-01 | 265-45510-01 | 265-45510-01 |
| Gas Valve (LP Gas) | 265-45510-02 | 265-45510-02 | 265-45510-02 | 265-45510-02 | 265-45510-02 |
| 35 Burner Tube (Standard) | 228-39177-00 (Qty. 5) | 228-39177-00 (Qty. 3) | 228-39177-00 (Qty. 5) | 228-39177-00 (Qty. 5) | 228-39177-00 (Qty. 5) |
| Burner Tube (Lo-NOX) ▲ | 228-42490-00 (Qty. 5) | 228-42490-00 (Qty. 3) | 228-42490-00 (Qty. 5) | 228-42490-00 (Qty. 5) | 228-42490-00 (Qty. 5) |
| Burner Tube (Stainless Steel) | 228-81964-00 (Qty. 5) | 228-81964-00 (Qty. 3) | 228-81964-00 (Qty. 5) | 228-81964-00 (Qty. 5) | 228-81964-00 (Qty. 5) |
| 36 Burner Manifold | 233-39170-00 | 233-39174-00 | 233-39170-00 | 233-39170-00 | 233-39170-00 |
| 37 Main Burner Orifice (Natural Gas) (0ft to 2000ft) | 234-06016-73 (Qty. 5) | 234-06016-33 (Qty. 3) | 234-06016-39 (Qty. 5) | 234-06016-37 (Qty. 5) | 234-06016-35 (Qty. 5) |
| High Altitude (Natural Gas) (2001ft to 5000ft) | 234-06016-42 (Qty. 5) | 234-06016-36 (Qty. 3) | 234-06016-42 (Qty. 5) | 234-06016-39 (Qty. 5) | 234-06016-37 (Qty. 5) |
| High Altitude (Natural Gas) (5001ft to 8000ft) | 234-06016-43 (Qty. 5) | 234-06016-38 (Qty. 3) | 234-06016-43 (Qty. 5) | 234-06016-42 (Qty. 5) | 234-06016-39 (Qty. 5) |
| High Altitude (Natural Gas) (8001ft & above) | 234-06016-44 (Qty. 5) | 234-06016-39 (Qty. 3) | 234-06016-44 (Qty. 5) | 234-06016-42 (Qty. 5) | 234-06016-40 (Qty. 5) |
| Main Burner Orifice (LP Gas) (0ft to 2000ft) | 234-06016-52 (Qty. 5) | 234-06016-48 (Qty. 3) | 234-06016-52 (Qty. 5) | 234-06016-50 (Qty. 5) | 234-06016-49 (Qty. 5) |
| High Altitude (LP Gas) (2001ft to 5000ft) | 234-06016-1/16 (Qty. 5) | 234-06016-50 (Qty. 3) | 234-06016-1/16 (Qty. 5) | 234-06016-51 (Qty. 5) | 234-06016-50 (Qty. 5) |
| High Altitude (LP Gas) (5001ft to 8000ft) | 234-06016-53 (Qty. 5) | 234-06016-51 (Qty. 3) | 234-06016-53 (Qty. 5) | 234-06016-1/16 (Qty. 5) | 234-06016-51 (Qty. 5) |
| High Altitude (LP Gas) (8001ft & above) | 234-06016-53 (Qty. 5) | 234-06016-51 (Qty. 3) | 234-06016-53 (Qty. 5) | 234-06016-1/16 (Qty. 5) | 234-06016-52 (Qty. 5) |
| 38 Pilot Shield | 239-41333-00 | 239-41333-00 | 239-41333-00 | 239-41333-00 | 239-41333-00 |
| 39 Pilot Assembly (Natural Gas) | 265-46289-01 | 265-46289-01 | 265-46289-01 | 265-46289-01 | 265-46289-01 |
| Pilot Assembly (LP Gas) | 265-46289-02 | 265-46289-02 | 265-46289-02 | 265-46289-02 | 265-46289-02 |
| 40 Pilot Orifice (Natural Gas) | 234-46653-01 | 234-46653-01 | 234-46653-01 | 234-46653-01 | 234-46653-01 |
| Pilot Orifice (LP Gas) | 234-46653-02 | 234-46653-02 | 234-46653-02 | 234-46653-02 | 234-46653-02 |
| 41 Aluminum Pilot Tube | 233-80361-10 | 233-80361-10 | 233-80361-10 | 233-80361-10 | 233-80361-10 |
| 42 Burner Support | 239-45180-00 | 239-45180-00 | 239-45180-00 | 239-45180-00 | 239-45180-00 |
| 43 Pilot Mounting Screw | 239-11706-00 (Qty. 2) | 239-11706-00 (Qty. 2) | 239-11706-00 (Qty. 2) | 239-11706-00 (Qty. 2) | 239-11706-00 (Qty. 2) |
| 44 Auto-Reset Thermal Switch ▲▲▲ | 239-45166-00 | 239-45166-00 | 239-45166-00 | 239-45166-00 | 239-45166-00 |
| 45 Harness-Thermal Switch ▲▲▲ | 239-45188-00 | 239-45188-00 | 239-45188-00 | 239-45188-00 | 239-45188-00 |
| 46 Thermopile-Gas Valve | 233-46670-00 | 233-46670-00 | 233-46670-00 | 233-46670-00 | 233-46670-00 |
| 47 Thermopile-Damper | 233-46700-00 | 233-46700-00 | 233-46700-00 | 233-46700-00 | 233-46700-00 |
| 48 Pressure Switch ▲▲ | 239-42797-00 | 239-42797-00 | 239-42797-00 | 239-42797-00 | 239-42797-00 |
| - LP to Natural Gas Conversion Kit | 265-46032-01 | 265-46032-02 | 265-46032-03 | 265-46032-04 | 265-46032-05 |

* Applies to all warranties

** Ordering a complete burner rack may increase delivery time. Please order the specific component required for the quickest delivery. Does not include item 45.

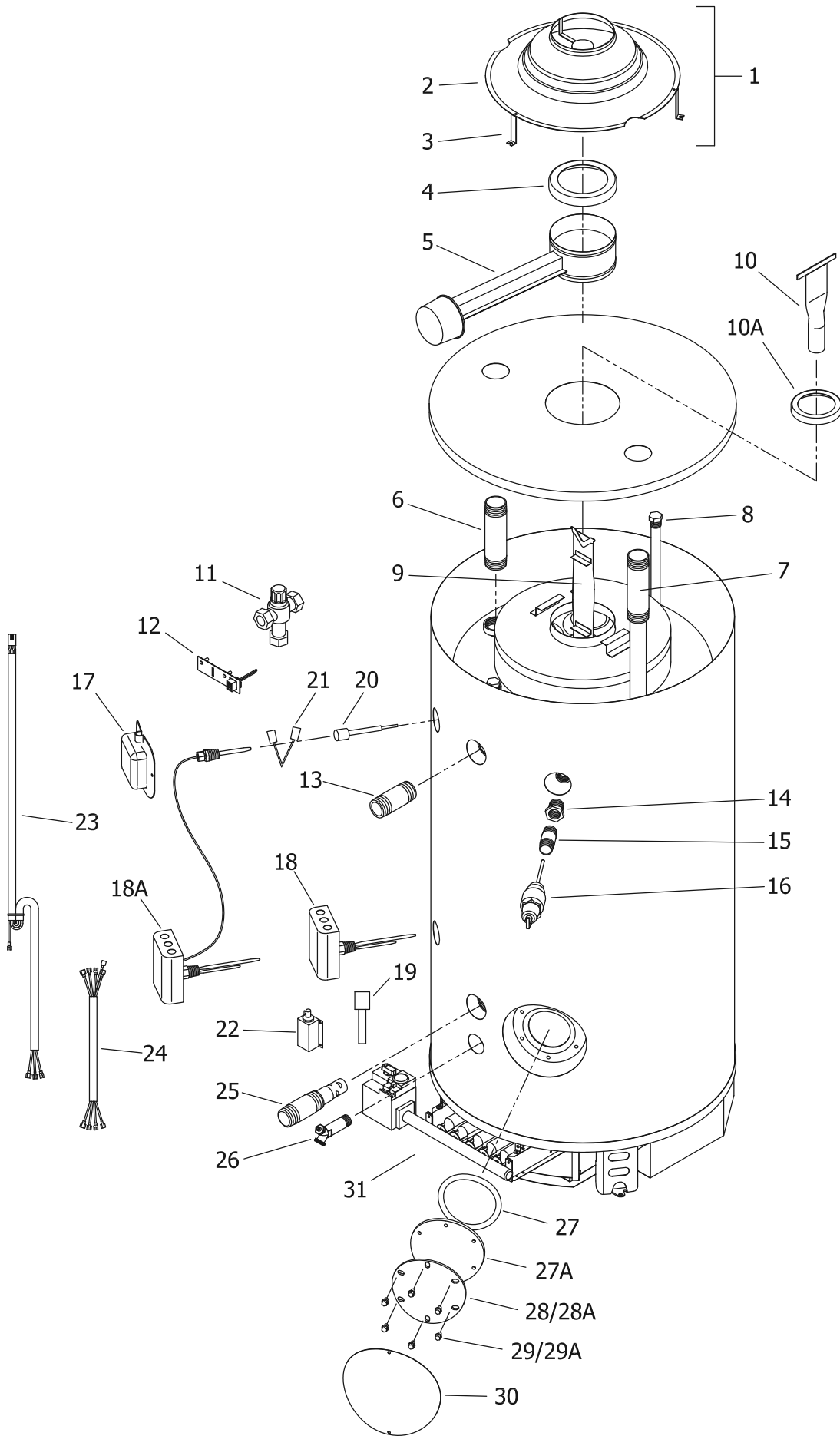
*** No LP version model available.

† Required when replacing Thermostats (Item 18 & 18A) on models prior to HF15207493.

▲ Applies when "E" is present in model number (Example: D38T155E3N).

▲▲ For models with serial number beginning with AG and prior.

▲▲▲ For models with serial numbers beginning with AH or later.



| Item Description | Model | Model | Model | Model | Model |
|--|-----------------------|------------------------|------------------------|------------------------|-----------------------|
| | DM80T250(E)*(N,X)(A) | DM100L199(E)*(N,X) | DM100L250(E)*(N,X)(A) | DM100L270(E)*N(A) | DM100S199(E)*(N,X) |
| 1 Draft Diverter Complete with Leg Kit | 265-46544-00 | 265-46549-00 | 265-46549-00 | 265-46549-00 | 265-46548-00 |
| 2 Draft Diverter Only | 243-81986-00-01 | 243-81733-00-01 | 243-81733-00-01 | 243-81733-00-01 | 243-81733-00-01 |
| 3 Draft Diverter Leg Kit Only | 243-43690-02 | 243-43690-01 | 243-43690-01 | 243-43690-01 | 243-43690-09 |
| 4 Flue Damper Reducer | --- | 239-81811-00 | 239-81811-00 | 239-81811-00 | 239-81811-00 |
| 5 Flue Damper Complete | 239-42806-00 | 243-42824-00 | 243-42824-00 | 243-42824-00 | 243-42824-00 |
| 6 Hot Water Outlet Nipple (Top) | 229-40913-01 | 229-40913-01 | 229-40913-01 | 229-40913-01 | 229-40913-01 |
| 7 Cold Water Inlet Diptube (Top) | 229-46709-03 | 229-46709-01 | 229-46709-01 | 229-46709-01 | 229-46709-01 |
| 8 Plug Type Anode Rod (Magnesium) | 224-47782-11 (Qty. 2) | 224-47782-06 (Qty. 4) | 224-47782-06 (Qty. 4) | 224-47782-06 (Qty. 4) | 224-47782-07 (Qty. 4) |
| Plug Type Anode Rod (Aluminum) | 224-38508-03 (Qty. 2) | 224-38508-03 (Qty. 4) | 224-38508-03 (Qty. 4) | 224-38508-03 (Qty. 4) | 224-38508-03 (Qty. 4) |
| 9 Flue Baffle | 243-82117-00 (Qty. 8) | 243-81735-00 (Qty. 12) | 243-39392-00 (Qty. 12) | 243-81796-00 (Qty. 12) | 243-81735-00 (Qty. 9) |
| 10 Flue Core | --- | --- | --- | --- | --- |
| 10A Flue Reducer | --- | --- | --- | --- | --- |
| 11 ASSE Approved Mixing Valve (Optional) | 239-43740-02 | 239-43740-02 | 239-43740-02 | 239-43740-02 | 239-43740-02 |
| 12 Damper Service Plate with Kit | 243-42805-00 | 243-42805-00 | 243-42805-00 | 243-42805-00 | 243-42805-00 |
| 13 Hot Water Outlet Nipple (Side) | 229-40913-02 | 229-40913-02 | 229-40913-02 | 229-40913-02 | 229-40913-02 |
| 14 1" NPT to 3/4" NPT Reducer Bushing | --- | 239-02052-00 | --- | --- | 239-02052-00 |
| 15 3/4" NPT Nipple | --- | 229-32762-02 | --- | --- | 239-81075-00 |
| 1" NPT Nipple | 229-32762-19 | --- | 239-80982-00 | 239-80982-00 | --- |
| 16 T&P Valve | 230-33630-04 | 230-30246-00 | 230-33630-04 | 230-33630-04 | 230-30246-00 |
| 17 Utility Cover | 239-80281-03 | 239-80281-03 | 239-80281-03 | 239-80281-03 | 239-80281-03 |
| 18 Thermostat (Single Probe) | --- | --- | --- | --- | --- |
| 18A Thermostat (Dual Probe) | 265-47524-00 | 265-47524-00 | 265-47524-00 | 265-47524-00 | 265-47524-00 |
| 19 Harness-ECO Adapter † | 239-47527-00 | 239-47527-00 | 239-47527-00 | 239-47527-00 | 239-47527-00 |
| 20 Thermal Immersion Well † | 239-46558-02 | 239-46558-02 | 239-46558-02 | 239-46558-02 | 239-46558-02 |
| 21 Mounting Clamp † | 239-47206-00 | 239-47206-00 | 239-47206-00 | 239-47206-00 | 239-47206-00 |
| 22 Piezo Igniter | 239-41065-00 | 239-41065-00 | 239-41065-00 | 239-41065-00 | 239-41065-00 |
| 23 Harness-Flue Damper | 239-42799-03 | 239-42799-01 | 239-42799-01 | 239-42799-01 | 239-42799-01 |
| 24 Harness-Gas Valve & Thermostat | 239-47528-02 | 239-47528-01 | 239-47528-01 | 239-47528-01 | 239-47528-01 |
| 25 Cold Water Inlet Diptube (Side) | 229-44731-00 | 229-44731-00 | 229-44731-00 | 229-44731-00 | 229-44731-00 |
| 26 Brass Drain Valve | 265-42351-04 | 265-42351-02 | 265-42351-02 | 265-42351-02 | 265-42351-02 |
| 27 Cleanout O-Ring Gasket | 205-18427-00 | 205-18427-00 | 205-18427-00 | 205-18427-00 | 205-18427-00 |
| 27A Cleanout Gasket (ASME) | 205-32942-00 | --- | 205-32942-00 | 205-32942-00 | --- |
| 28 Cleanout Cover | 205-18428-00 | 205-18428-00 | 205-18428-00 | 205-18428-00 | 205-18428-00 |
| 28A Cleanout Cover (ASME) | 205-32941-00 | --- | 205-32941-00 | 205-32941-00 | --- |
| 29 Cleanout Cover Screw | 239-82166-00 | 239-82166-00 | 239-82166-00 | 239-82166-00 | 239-82166-00 |
| 29A Cleanout Cover Screw (ASME) | 239-32970-00 | --- | 239-32970-00 | 239-32970-00 | --- |
| 30 Cleanout Access Cover | 243-20299-00 | 243-20299-00 | 243-20299-00 | 243-20299-00 | 243-20299-00 |

* Applies to all warranties

** Ordering a complete burner rack may increase delivery time. Please order the specific component required for the quickest delivery. Does not include item 45.

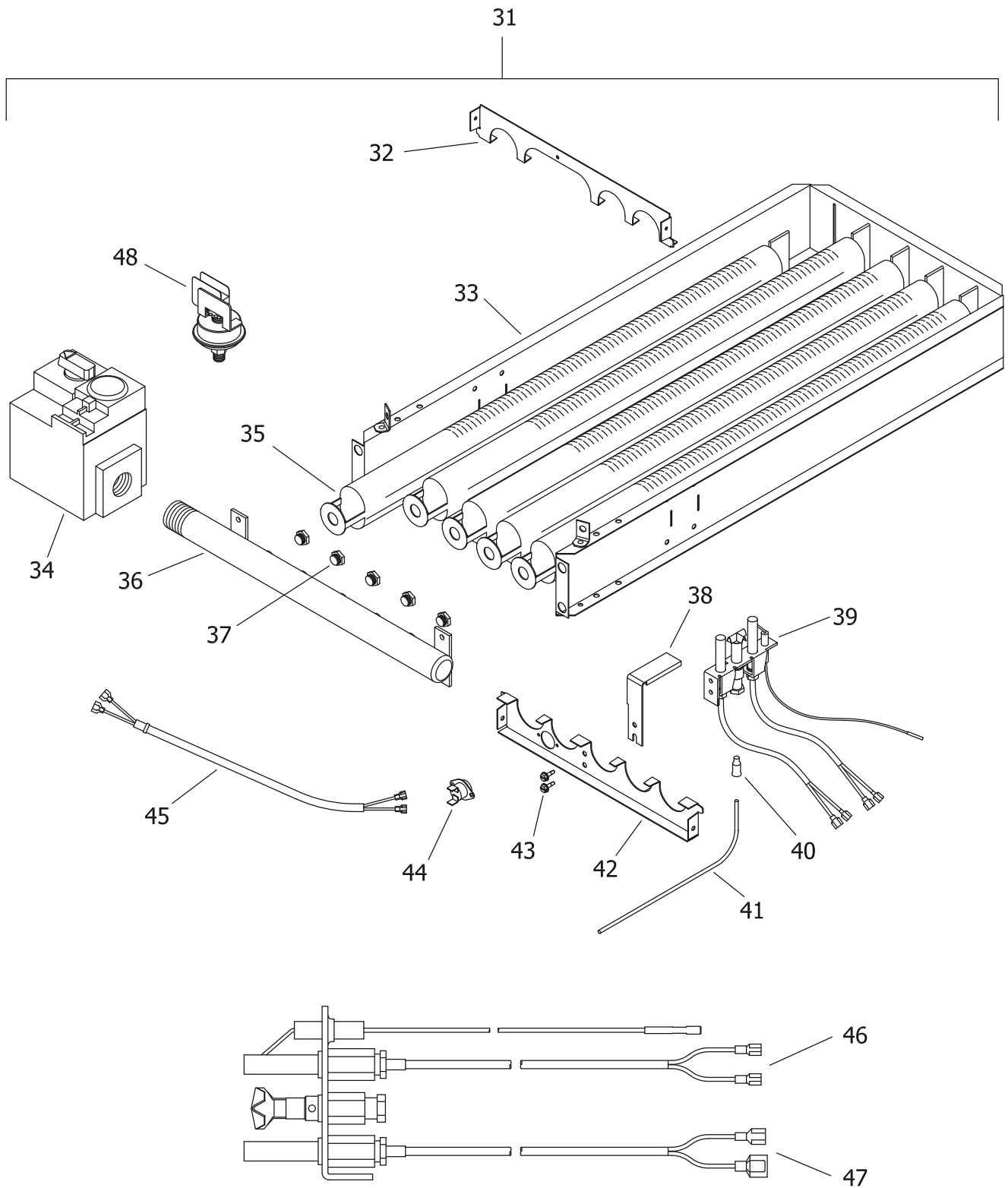
*** No LP version model available.

† Required when replacing Thermostats (Item 18 & 1 models prior to HF15207493.

▲ Applies when "E" is present in model number (Example: D38T155E3N).

▲▲ For models with serial number beginning with AG and prior.

▲▲▲ For models with serial numbers beginning with AH or later.



THERMOPILE DETAIL

| Item Description | Model | Model | Model | Model | Model |
|--|-------------------------|-------------------------|-------------------------|-----------------------|-----------------------|
| | DM80T250(E)*(N,X)(A) | DM100L199(E)*(N,X) | DM100L250(E)*(N,X)(A) | DM100L270(E)*N(A) | DM100S199(E)*(N,X) |
| 31 Burner Rack Complete (Natural Gas) ** | 243-42815-01 | 243-42815-04 | 243-42815-01 | 243-42815-02 | 243-42814-03 |
| Burner Rack Complete (Natural Gas) (Lo NOX) **▲ | 243-42938-01 | 243-42938-03 | 243-42938-01 | 243-42938-02 | 243-42937-02 |
| Burner Rack Complete (LP Gas) ** | 243-42815-03 | 243-42815-05 | 243-42815-03 | *** | 243-42814-04 |
| 32 Draft Panel | 239-39420-00 | 239-39420-00 | 239-39420-00 | 239-39420-00 | 239-39419-00 |
| 33 Burner Rack Only | 239-81969-02 | 239-81969-02 | 239-81969-02 | 239-81969-02 | 233-81969-01 |
| 34 Gas Valve (Natural Gas) | 265-45510-01 | 265-45510-01 | 265-45510-01 | 265-45510-01 | 265-45510-01 |
| Gas Valve (LP Gas) | 265-45510-02 | 265-45510-02 | 265-45510-02 | *** | 265-45510-02 |
| 35 Burner Tube (Standard) | 228-39177-00 (Qty. 7) | 228-39177-00 (Qty. 7) | 228-39177-00 (Qty. 7) | 228-39177-00 (Qty. 7) | 228-39177-00 (Qty. 5) |
| Burner Tube (Lo-NOX) ▲ | 228-42490-00 (Qty. 7) | 228-42490-00 (Qty. 7) | 228-42490-00 (Qty. 7) | 228-42490-00 (Qty. 7) | 228-42490-00 (Qty. 5) |
| Burner Tube (Stainless Steel) | 228-81964-00 (Qty. 7) | 228-81964-00 (Qty. 7) | 228-81964-00 (Qty. 7) | 228-81964-00 (Qty. 7) | 228-81964-00 (Qty. 5) |
| 36 Burner Manifold | 233-81725-00 | 233-81725-00 | 233-81725-00 | 233-81725-00 | 233-39170-00 |
| 37 Main Burner Orifice (Natural Gas) (0ft to 2000ft) | 234-06016-37 (Qty. 7) | 234-06016-42 (Qty. 7) | 234-06016-37 (Qty. 7) | 234-06016-36 (Qty. 7) | 234-06016-35 (Qty. 5) |
| High Altitude (Natural Gas) (2001ft to 5000ft) | 234-06016-40 (Qty. 7) | 234-06016-43 (Qty. 7) | 234-06016-40 (Qty. 7) | 234-06016-38 (Qty. 7) | 234-06016-37 (Qty. 5) |
| High Altitude (Natural Gas) (5001ft to 8000ft) | 234-06016-42 (Qty. 7) | 234-06016-45 (Qty. 7) | 234-06016-42 (Qty. 7) | 234-06016-73 (Qty. 7) | 234-06016-39 (Qty. 5) |
| High Altitude (Natural Gas) (8001ft & above) | 234-06016-42 (Qty. 7) | 234-06016-45 (Qty. 7) | 234-06016-42 (Qty. 7) | 234-06016-73 (Qty. 7) | 234-06016-40 (Qty. 5) |
| Main Burner Orifice (LP Gas) (0ft to 2000ft) | 234-06016-50 (Qty. 7) | 234-06016-1/16 (Qty. 7) | 234-06016-50 (Qty. 7) | *** | 234-06016-49 (Qty. 5) |
| High Altitude (LP Gas) (2001ft to 5000ft) | 234-06016-52 (Qty. 7) | 234-06016-53 (Qty. 7) | 234-06016-52 (Qty. 7) | *** | 234-06016-50 (Qty. 5) |
| High Altitude (LP Gas) (5001ft to 8000ft) | 234-06016-1/16 (Qty. 7) | 234-06016-54 (Qty. 7) | 234-06016-1/16 (Qty. 7) | *** | 234-06016-51 (Qty. 5) |
| High Altitude (LP Gas) (8001ft & above) | 234-06016-53 (Qty. 7) | 234-06016-54 (Qty. 7) | 234-06016-53 (Qty. 7) | *** | 234-06016-52 (Qty. 5) |
| 38 Pilot Shield | 239-41333-00 | 239-41333-00 | 239-41333-00 | 239-41333-00 | 239-41333-00 |
| 39 Pilot Assembly (Natural Gas) | 265-46289-01 | 265-46289-01 | 265-46289-01 | 265-46289-01 | 265-46289-01 |
| Pilot Assembly (LP Gas) | 265-46289-02 | 265-46289-02 | 265-46289-02 | *** | 265-46289-02 |
| 40 Pilot Orifice (Natural Gas) | 234-46653-01 | 234-46653-01 | 234-46653-01 | 234-46653-01 | 234-46653-01 |
| Pilot Orifice (LP Gas) | 234-46653-02 | 234-46653-02 | 234-46653-02 | *** | 234-46653-02 |
| 41 Aluminum Pilot Tube | 233-80361-10 | 233-80361-10 | 233-80361-10 | 233-80361-10 | 233-80361-10 |
| 42 Burner Support | 239-45181-00 | 239-45181-00 | 239-45181-00 | 239-45181-00 | 239-45180-00 |
| 43 Pilot Mounting Screw | 239-11706-00 (Qty. 2) | 239-11706-00 (Qty. 2) | 239-11706-00 (Qty. 2) | 239-11706-00 (Qty. 2) | 239-11706-00 (Qty. 2) |
| 44 Auto-Reset Thermal Switch ▲▲▲ | 239-45166-00 | 239-45166-00 | 239-45166-00 | 239-45166-00 | 239-45166-00 |
| 45 Harness-Thermal Switch ▲▲▲ | 239-45188-00 | 239-45188-00 | 239-45188-00 | 239-45188-00 | 239-45188-00 |
| 46 Thermopile-Gas Valve | 233-46670-00 | 233-46670-00 | 233-46670-00 | 233-46670-00 | 233-46670-00 |
| 47 Thermopile-Damper | 233-46700-00 | 233-46700-00 | 233-46700-00 | 233-46700-00 | 233-46700-00 |
| 48 Pressure Switch ▲▲ | 239-42797-00 | 239-42797-00 | 239-42797-00 | 239-42797-00 | 239-42797-00 |
| - LP to Natural Gas Conversion Kit | 265-46032-06 | 265-46032-07 | 265-46032-06 | --- | 265-46032-05 |

* Applies to all warranties

** Ordering a complete burner rack may increase delivery time. Please order the specific component required for the quickest delivery. Does not include item 45.

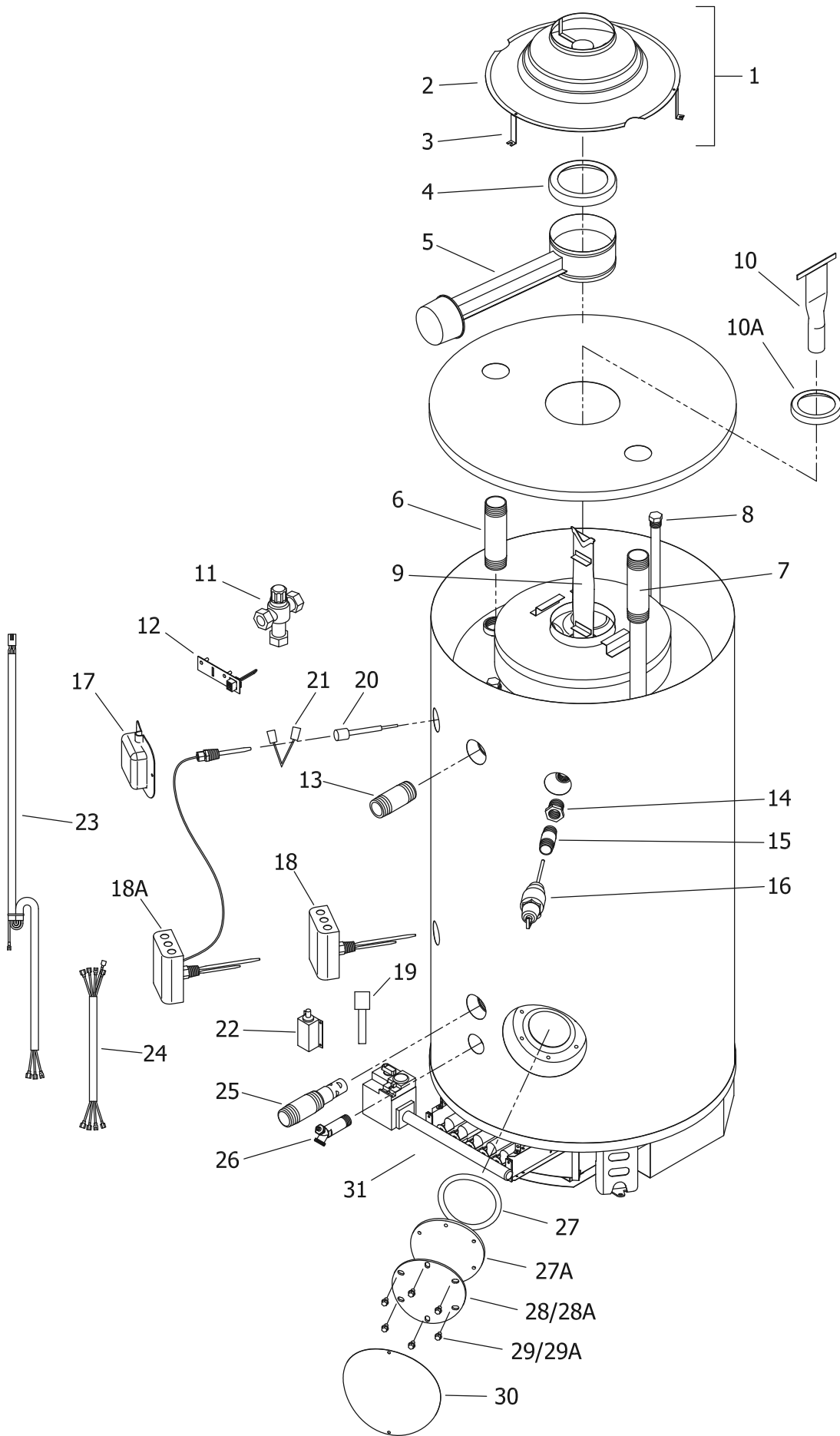
*** No LP version model available.

† Required when replacing Thermostats (Item 18 & 1 models prior to HF15207493.

▲ Applies when "E" is present in model number (Example: D38T155E3N).

▲▲ For models with serial number beginning with AG and prior.

▲▲▲ For models with serial numbers beginning with AH or later.



| Item Description | Model | Model | Model |
|--|-----------------------|-----------------------|-----------------------|
| | DM100S250(E)*(N,X)(A) | DM100T199(E)*(N,X) | DM100T250(E)*(N,X)(A) |
| 1 Draft Diverter Complete with Leg Kit | 265-46548-00 | 265-46544-00 | 265-46544-00 |
| 2 Draft Diverter Only | 243-81733-00-01 | 243-81986-00-01 | 243-81986-00-01 |
| 3 Draft Diverter Leg Kit Only | 243-43690-09 | 243-43690-02 | 243-43690-02 |
| 4 Flue Damper Reducer | 239-81811-00 | --- | --- |
| 5 Flue Damper Complete | 243-42824-00 | 239-42806-00 | 239-42806-00 |
| 6 Hot Water Outlet Nipple (Top) | 229-40913-01 | 229-40913-01 | 229-40913-01 |
| 7 Cold Water Inlet Diptube (Top) | 229-46709-01 | 229-46709-02 | 229-46709-02 |
| 8 Plug Type Anode Rod (Magnesium) | 224-47782-07 (Qty. 4) | 224-47782-12 (Qty. 2) | 224-47782-12 (Qty. 2) |
| Plug Type Anode Rod (Aluminum) | 224-38508-03 (Qty. 4) | 224-38508-07 (Qty. 2) | 224-38508-07 (Qty. 2) |
| 9 Flue Baffle | 243-81566-00 (Qty. 9) | 243-39392-00 (Qty. 8) | 243-39341-00 (Qty. 8) |
| 10 Flue Core | --- | --- | --- |
| 10A Flue Reducer | --- | --- | --- |
| 11 ASSE Approved Mixing Valve (Optional) | 239-43740-02 | 239-43740-02 | 239-43740-02 |
| 12 Damper Service Plate with Kit | 243-42805-00 | 243-42805-00 | 243-42805-00 |
| 13 Hot Water Outlet Nipple (Side) | 229-40913-02 | 229-40913-02 | 229-40913-02 |
| 14 1" NPT to 3/4" NPT Reducer Bushing | --- | 239-02052-00 | --- |
| 15 3/4" NPT Nipple | --- | 229-32762-04 | --- |
| 1" NPT Nipple | 239-80982-00 | --- | 229-32762-19 |
| 16 T&P Valve | 230-33630-04 | 230-30246-00 | 230-33630-04 |
| 17 Utility Cover | 239-80281-03 | 239-80281-03 | 239-80281-03 |
| 18 Thermostat (Single Probe) | --- | --- | --- |
| 18A Thermostat (Dual Probe) | 265-47524-00 | 265-47524-00 | 265-47524-00 |
| 19 Harness-ECO Adapter † | 239-47527-00 | 239-47527-00 | 239-47527-00 |
| 20 Thermal Immersion Well † | 239-46558-02 | 239-46558-02 | 239-46558-02 |
| 21 Mounting Clamp † | 239-47206-00 | 239-47206-00 | 239-47206-00 |
| 22 Piezo Igniter | 239-41065-00 | 239-41065-00 | 239-41065-00 |
| 23 Harness-Flue Damper | 239-42799-01 | 239-42799-03 | 239-42799-03 |
| 24 Harness-Gas Valve & Thermostat | 239-47528-01 | 239-47528-02 | 239-47528-02 |
| 25 Cold Water Inlet Diptube (Side) | 229-44731-00 | 229-44731-00 | 229-44731-00 |
| 26 Brass Drain Valve | 265-42351-02 | 265-42351-04 | 265-42351-04 |
| 27 Cleanout O-Ring Gasket | 205-18427-00 | 205-18427-00 | 205-18427-00 |
| 27A Cleanout Gasket (ASME) | 205-32942-00 | --- | 205-32942-00 |
| 28 Cleanout Cover | 205-18428-00 | 205-18428-00 | 205-18428-00 |
| 28A Cleanout Cover (ASME) | 205-32941-00 | --- | 205-32941-00 |
| 29 Cleanout Cover Screw | 239-82166-00 | 239-82166-00 | 239-82166-00 |
| 29A Cleanout Cover Screw (ASME) | 239-32970-00 | --- | 239-32970-00 |
| 30 Cleanout Access Cover | 243-20299-00 | 243-20299-00 | 243-20299-00 |

* Applies to all warranties

** Ordering a complete burner rack may increase delivery time. Please order the specific component required for the quickest delivery. Does not include item 45.

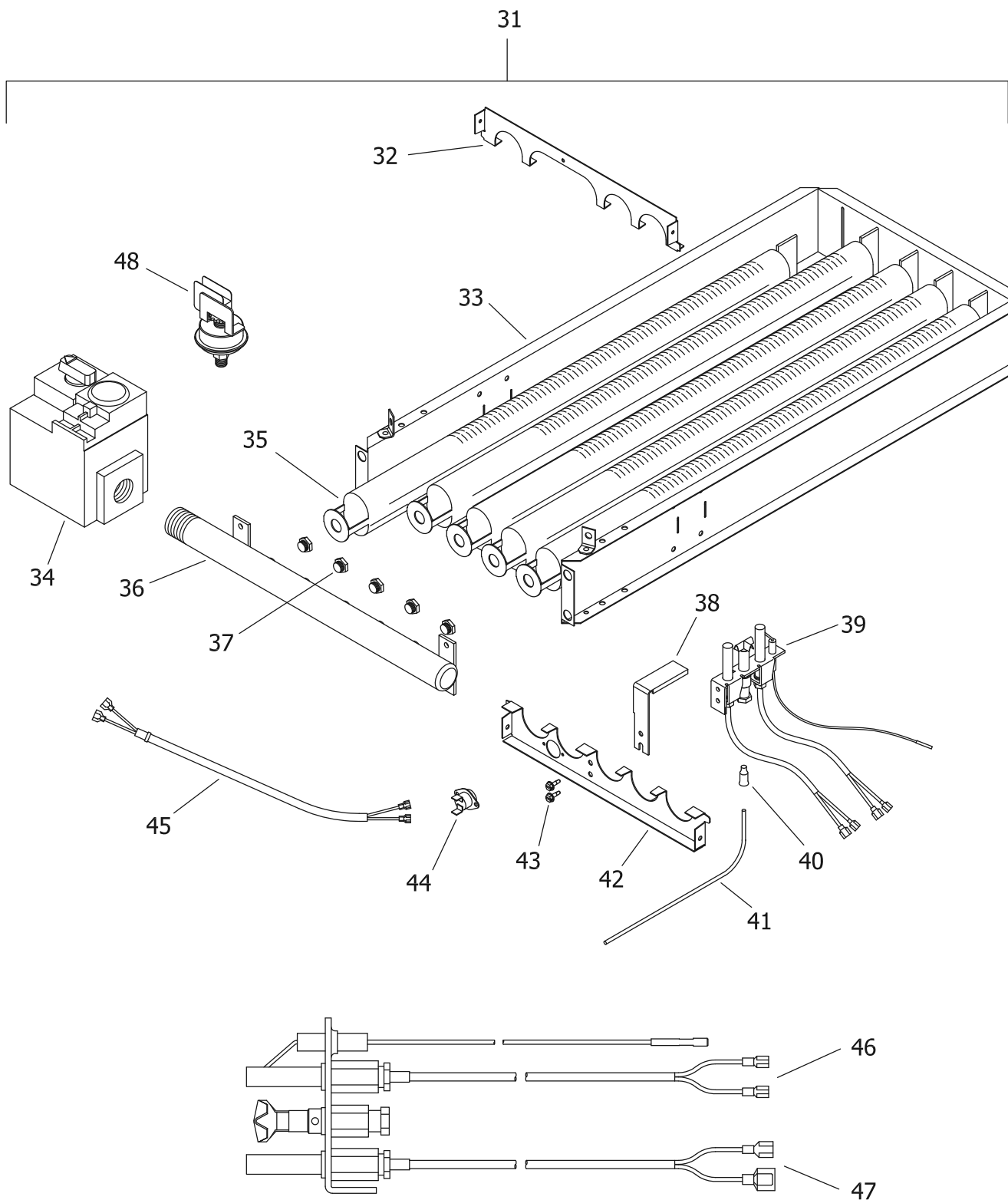
*** No LP version model available.

† Required when replacing Thermostats (Item 18 & 1 models prior to HF15207493).

▲ Applies when "E" is present in model number (Example: D38T155E3N).

▲▲ For models with serial number beginning with AG and prior.

▲▲▲ For models with serial numbers beginning with AH or later.



THERMOPILE DETAIL

| Item Description | Model | Model | Model |
|--|-----------------------|-----------------------|-----------------------|
| | DM100S250(E)*(N,X)(A) | DM100T199(E)*(N,X) | DM100T250(E)*(N,X)(A) |
| 31 Burner Rack Complete (Natural Gas) ** | 243-42814-07 | 243-42814-03 | 243-42814-07 |
| Burner Rack Complete (Natural Gas) (Lo NOX) **▲ | 243-42937-04 | 243-42937-02 | 243-42937-04 |
| Burner Rack Complete (LP Gas) ** | 243-42814-08 | 243-42814-04 | 243-42814-08 |
| 32 Draft Panel | 239-39419-00 | 239-39419-00 | 239-39419-00 |
| 33 Burner Rack Only | 233-81969-01 | 233-81969-01 | 233-81969-01 |
| 34 Gas Valve (Natural Gas) | 265-45510-01 | 265-45510-01 | 265-45510-01 |
| Gas Valve (LP Gas) | 265-45510-02 | 265-45510-02 | 265-45510-02 |
| 35 Burner Tube (Standard) | 228-39177-00 (Qty. 5) | 228-39177-00 (Qty. 5) | 228-39177-00 (Qty. 5) |
| Burner Tube (Lo-NOX) ▲ | 228-42490-00 (Qty. 5) | 228-42490-00 (Qty. 5) | 228-42490-00 (Qty. 5) |
| Burner Tube (Stainless Steel) | 228-81964-00 (Qty. 5) | 228-81964-00 (Qty. 5) | 228-81964-00 (Qty. 5) |
| 36 Burner Manifold | 233-39170-00 | 233-39170-00 | 233-39170-00 |
| 37 Main Burner Orifice (Natural Gas) (0ft to 2000ft) | 234-06016-31 (Qty. 5) | 234-06016-35 (Qty. 5) | 234-06016-31 (Qty. 5) |
| High Altitude (Natural Gas) (2001ft to 5000ft) | 234-06016-32 (Qty. 5) | 234-06016-37 (Qty. 5) | 234-06016-32 (Qty. 5) |
| High Altitude (Natural Gas) (5001ft to 8000ft) | 234-06016-34 (Qty. 5) | 234-06016-39 (Qty. 5) | 234-06016-34 (Qty. 5) |
| High Altitude (Natural Gas) (8001ft & above) | 234-06016-35 (Qty. 5) | 234-06016-40 (Qty. 5) | 234-06016-35 (Qty. 5) |
| Main Burner Orifice (LP Gas) (0ft to 2000ft) | 234-06016-46 (Qty. 5) | 234-06016-49 (Qty. 5) | 234-06016-46 (Qty. 5) |
| High Altitude (LP Gas) (2001ft to 5000ft) | 234-06016-48 (Qty. 5) | 234-06016-50 (Qty. 5) | 234-06016-48 (Qty. 5) |
| High Altitude (LP Gas) (5001ft to 8000ft) | 234-06016-49 (Qty. 5) | 234-06016-51 (Qty. 5) | 234-06016-49 (Qty. 5) |
| High Altitude (LP Gas) (8001ft & above) | 234-06016-50 (Qty. 5) | 234-06016-52 (Qty. 5) | 234-06016-50 (Qty. 5) |
| 38 Pilot Shield | 239-41333-00 | 239-41333-00 | 239-41333-00 |
| 39 Pilot Assembly (Natural Gas) | 265-46289-01 | 265-46289-01 | 265-46289-01 |
| Pilot Assembly (LP Gas) | 265-46289-02 | 265-46289-02 | 265-46289-02 |
| 40 Pilot Orifice (Natural Gas) | 234-46653-01 | 234-46653-01 | 234-46653-01 |
| Pilot Orifice (LP Gas) | 234-46653-02 | 234-46653-02 | 234-46653-02 |
| 41 Aluminum Pilot Tube | 233-80361-10 | 233-80361-10 | 233-80361-10 |
| 42 Burner Support | 239-45180-00 | 239-45180-00 | 239-45180-00 |
| 43 Pilot Mounting Screw | 239-11706-00 (Qty. 2) | 239-11706-00 (Qty. 2) | 239-11706-00 (Qty. 2) |
| 44 Auto-Reset Thermal Switch ▲▲▲ | 239-45166-00 | 239-45166-00 | 239-45166-00 |
| 45 Harness-Thermal Switch ▲▲▲ | 239-45188-00 | 239-45188-00 | 239-45188-00 |
| 46 Thermopile-Gas Valve | 233-46670-00 | 233-46670-00 | 233-46670-00 |
| 47 Thermopile-Damper | 233-46700-00 | 233-46700-00 | 233-46700-00 |
| 48 Pressure Switch ▲▲ | 239-42797-00 | 239-42797-00 | 239-42797-00 |
| - LP to Natural Gas Conversion Kit | 265-46032-08 | 265-46032-05 | 265-46032-08 |

* Applies to all warranties

** Ordering a complete burner rack may increase delivery time. Please order the specific component required for the quickest delivery. Does not include item 45.

*** No LP version model available.

† Required when replacing Thermostats (Item 18 & 1 models prior to HF15207493.

▲ Applies when "E" is present in model number (Example: D38T155E3N).

▲▲ For models with serial number beginning with AG and prior.

▲▲▲ For models with serial numbers beginning with AH or later.



BRADFORD WHITE[®]

W A T E R H E A T E R S

Ambler, PA

For U.S. and Canada field service,
contact your professional installer or
local Bradford White sales representative.

Sales/800-523-2931
Fax/215-641-1670
Parts Fax/215-641-2180

Technical Support/800-334-3393
Fax/269-795-1089

Warranty/800-531-2111
Fax/269-795-1089

International:
Telephone/215-641-9400
Telefax/215-641-9750



BRADFORD WHITE-CANADA[®] INC.

Mississauga, ON

Sales/866-690-0961
905-238-0100

Fax/905-238-0105

Technical Support/800-334-3393

Email

parts@bradfordwhite.com
techserv@bradfordwhite.com

www.bradfordwhite.com