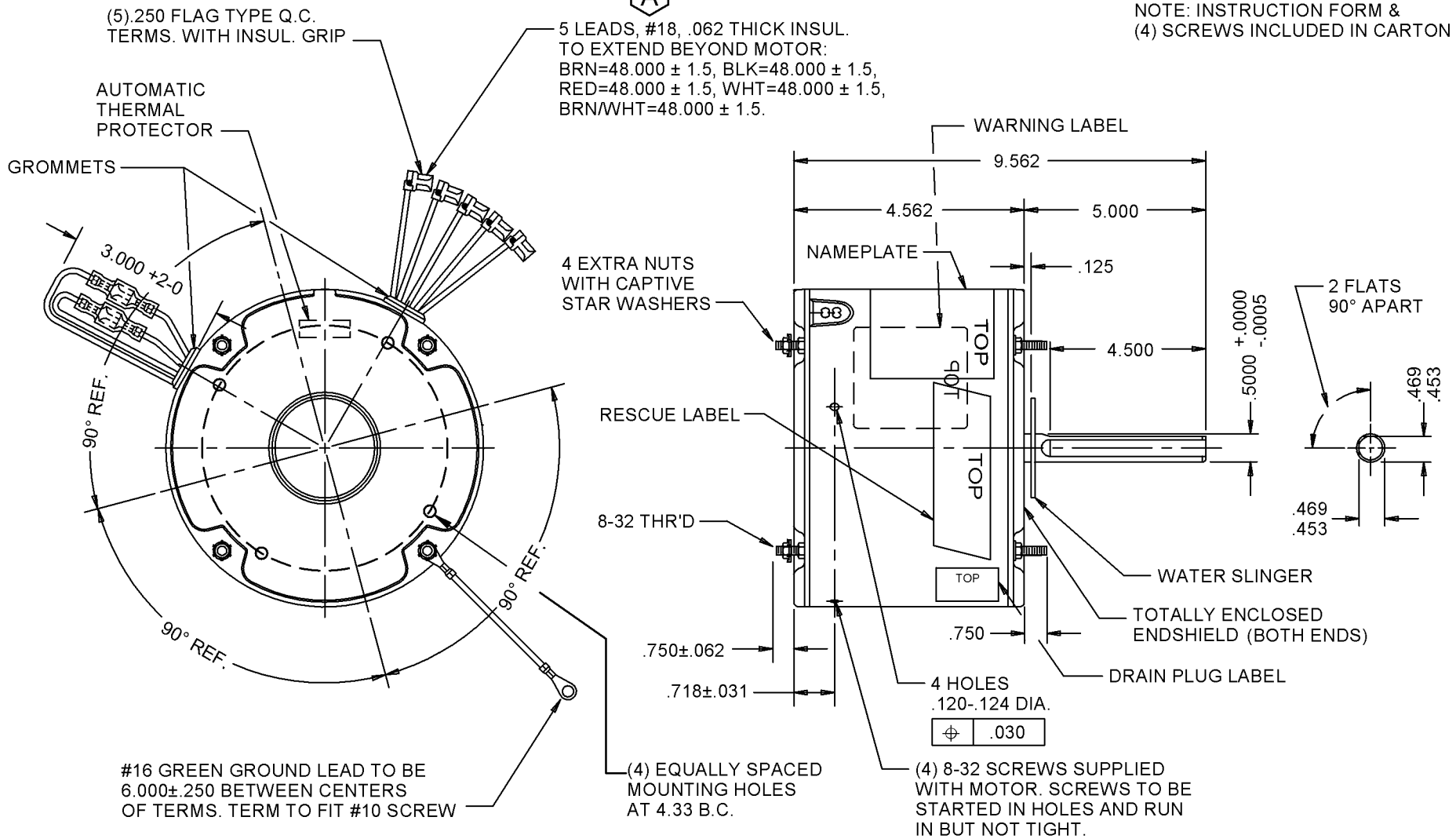


REV
A

NOTE: INSTRUCTION FORM &
(4) SCREWS INCLUDED IN CARTON



© EMERSON ELECTRIC CO. 11/1/2005

MODEL	REF.	CUSTOMER	HP.	VOLTS	AMPS	HZ.	R.P.M.	ROTATION	CUST. PT. NO.	
K55HXWDJ-0404	8010	WHOLESALE-HAC	1/3 - 1/6	208 - 230	2.6 / 1.8	60	1075 / 2SPD	REVERSIBLE	5462	
SHEET NUMBER 1 of 1	REV A	REVISION RECORD FOR: ECO 228189			INFORMATION DISCLOSED ON THIS DOCUMENT IS CONSIDERED PROPRIETARY AND SHALL NOT BE REPRODUCED OR DISCLOSED WITHOUT WRITTEN CONSENT OF EMERSON ELECTRIC COMPANY.					
REVISION DATE 11-4-05	LEADS LENGTH WAS 36.000									
ALL DIMENSIONS ARE FOR REFERENCE ONLY UNLESS TOLERANCE IS GIVEN.										
ISSUED BY R. GUZMAN	REVIEWED BY T. SARANITA	ENGINEER APPROVED T. SARANITA	TITLE ASSEMBLED VIEW	CODE V01						