

Maryland Spec. Type 5 Riser



Product Number

M5258825204M

Design Features

- Materials
See Notes
- Design Load
H-25
- Open Area
N/A
- Coating
Dipped
- √ Designates Machined Surface

Certification

- Weight: 52 Lbs.
-
-
- Country of Origin: USA

Drawing Revision

01/30/2013 Designer: BDD
12/25/2019 Revised By: BDD

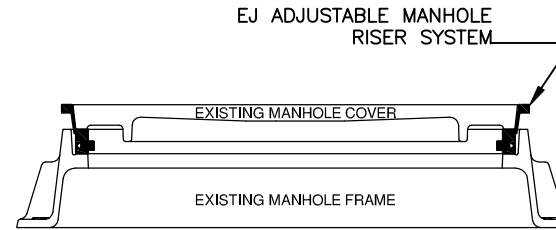
Disclaimer

Weights (lbs/kg), dimensions (inches/mm) and drawings provided for your guidance. We reserve the right to modify specifications without prior notice.

CONFIDENTIAL: This drawing is the property of EJ Group, Inc. and embodies confidential information, registered marks, patents, trade secret information, and/or know-how that is the property of EJ Group, Inc. Copyright © 2011 EJ Group, Inc. All rights reserved.

Contact

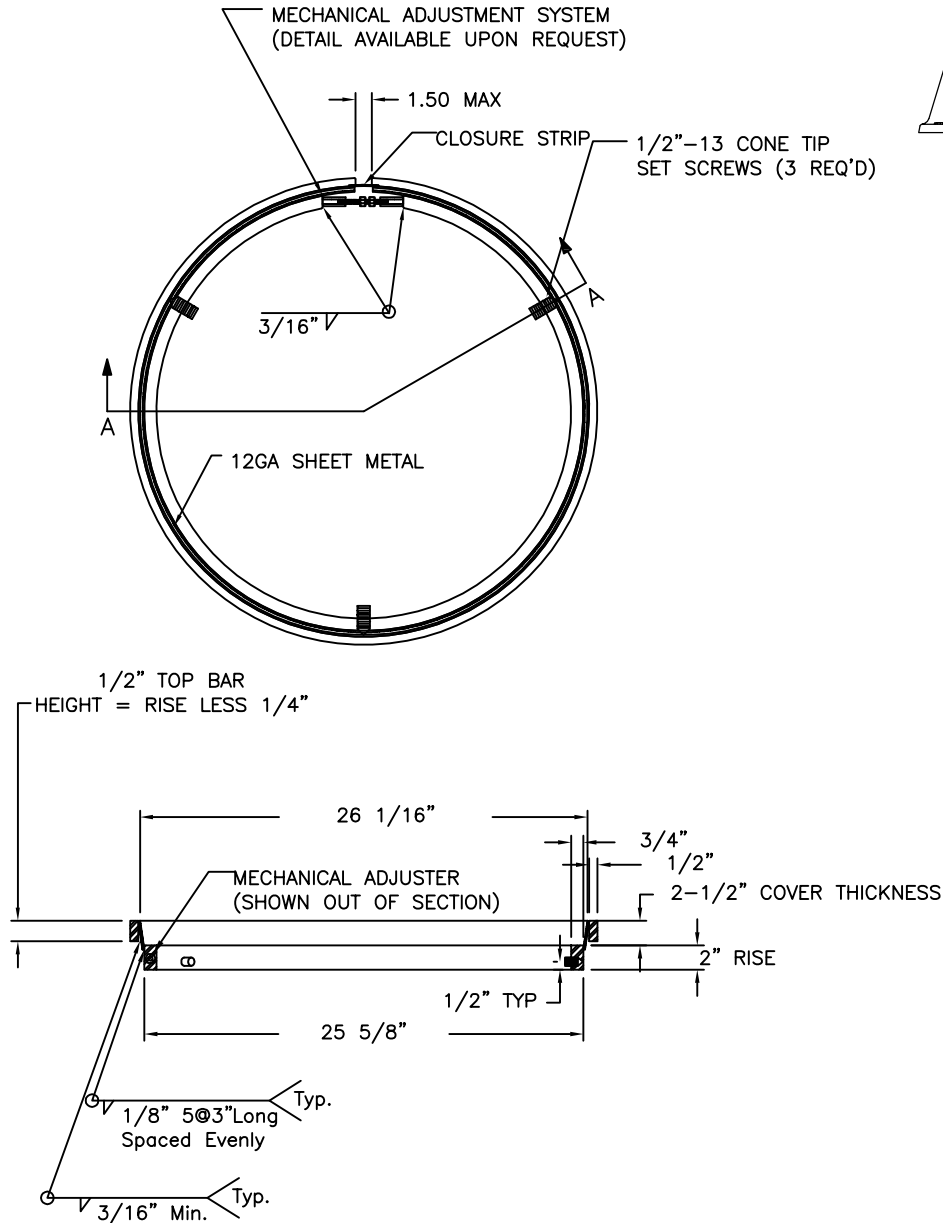
800 626 4653
ejco.com



TYPICAL INSTALLATION SHOWING LID IN RAISED POSITION

NOTES:

- 1.) MATERIAL SHALL BE ASTM A36 CARBON STEEL.
- 2.) TOP RING SHALL HAVE A CONTINUOUS WELD
BOTTOM RING STITCHED PER WELD DETAIL.
- 3.) MECHANICAL ADJUSTMENT STUD IS MADE OF TYPE 304 STAINLESS STEEL.
- 4.) ALL "M5" STYLE RISERS ARE FOR HEIGHT ADJUSTMENTS EQUAL TO OR LESS THAN THE THICKNESS OF THE MANHOLE COVER.
- 5.) EACH RISER IS CUSTOM FABRICATED FROM MEASUREMENTS PROVIDED WITH EACH ORDER. REQUIRED MEASUREMENTS INCLUDE THE FOLLOWING:
 - A. EXIST. MANHOLE COVER DIAMETER - TOP & BOTTOM
 - B. EXISTING MANHOLE COVER THICKNESS
 - C. REQUIRED HEIGHT OF ADJUSTMENT
- 6.) MINIMUM RECOMMENDED HEIGHT OF ADJUSTMENT FOR REPAVING PROJECTS IS 1".
- 7.) HEIGHT ADJUSTMENTS ARE AVAILABLE IN 1/4" INCREMENTS.
- 8.) DURING INSTALLATION CHECK FOR FULL BEARING OF LOWER FRAME SECTION ON EXISTING CASTING. OVERTIGHTENING ADJUSTMENT SYSTEM MAY CAUSE UPLIFTING OF RISER.
- 9.) DIMENSIONS MAY VARY TO MEET EXISTING FIELD CONDITIONS. ANY CHANGE IN DIMENSIONS SHALL BE APPROVED BY THE OWNER.
- 10.) AFTER FABRICATION, RISERS ARE COATED WITH EITHER A WATER BASED BITUMINOUS ASPHALT EMULSION PAINT OR BASF E-COAT W/ CHARCOAL BLACK TOPCOAT.
- 11.) AVAILABLE OPTIONS IN LIEU OF CONE POINT SET SCREWS INCLUDE "L" CLIPS WITH HEX HEAD BOLTS.
- 12.) SLOPED RISERS ARE ALSO AVAILABLE.



FULLWELD TOP ONLY, NOT BOTTOM