

# RAINPRO®

Intelligent Irrigation Solutions™

2018 Turf Pice List





# 900T TELESCOPIC POP-UP SPRINKLERS

PART NO.	LIST PRICE	DESCRIPTION	CASE QTY.
<b>Standard Telescopic Pop-up Sprinklers</b>			
907T	\$10.45	7" pop-up in a 4" body, telescopic	75
907T - Assy	\$9.85	7" telescopic internal assy - 4" body not included	75
913T	\$13.50	13" pop-up in a 6" body, telescopic	50
913TS	\$14.00	13" pop-up with side inlet, in a 6" body, telescopic	50
913T - Assy	\$12.75	13" telescopic internal assy - 6" body not included	50
<b>Telescopic Pop-up Sprinklers with Check Valve</b>			
907T - CKV	\$13.45	7" pop-up in a 4" body, telescopic, w/CKV	75
907T-CKV-Assy	\$12.85	7" telescopic internal assy w/-CKV (4" body not included)	
913T - CKV	\$17.00	13" pop-up in a 6" body, telescopic, w/CKV	50
913T-CKV-Assy	\$16.25	13" telescopic internal assy w/-CKV (6" body not included)	
<b>Telescopic Pop-up Sprinklers with Pressure Regulating Device in Stem</b>			
907T - PRD	\$15.45	7" pop-up in a 4" body, telescopic, w/PRD	75
907T - PRD - Assy	\$14.85	7" telescopic internal assy w/PRD - 4" body not included	75
913TS - PRD	\$19.00	13" pop-up with side inlet, in a 6" body, telescopic w/PRD	50
913T - PRD	\$18.50	13" pop-up in a 6" body, telescopic, w/PRD	50
913T - PRD - Assy	\$17.75	13" telescopic internal assy w/PRD - 6" body not included	50
<b>Telescopic Pop-up Sprinkler with Check Valve and Pressure Regulating Device in Stem</b>			
907T-CKV-PRD	\$17.95	7" pop-up in a 4" body, telescopic, w/CKV-PRD	75
907T-CKV-PRD-Assy	\$17.35	7" telescopic internal assy w/-CKV-PRD (4" body not included)	
913T-CKV-PRD	\$21.50	13" pop-up in a 6" body, telescopic, w/CKV-PRD	50
913T-CKV-PRD-Assy	\$20.75	13" telescopic internal assy w/-CKV-PRD (6" body not included)	
-R	\$0.95	Reclaimed purple cap, add \$0.95 to any product above in lieu of standard cap	50



\* Assemblies may be installed directly into existing Rainbird™ 1800 Series or RainPro™ 900 Series bodies in the field to achieve greater pop up height without any digging or plumbing required.

# SHRUB ADAPTERS



PART NO.	LIST PRICE	DESCRIPTION	BOX QTY.	CASE QTY.
<b>Standard Shrub Adapters</b>				
500 -100	\$1.00	1/2" FIPT Shrub Adapter with Male Threads for use with female Threaded Nozzle	50	500
500 -101	\$1.00	1/2" FIPT Shrub Adapter with Female Threads for use with Male Threaded Nozzle	50	500
500 -100 - R	\$1.25	1/2" FIPT Shrub Adapter with Male Threads for use with Female Threaded nozzle in reclaimed purple	50	500
500 -101 - R	\$1.25	1/2" FIPT Shrub Adapter with Female Threads for use with Male Threaded nozzle in reclaimed purple	50	500
<b>Shrub Adapters with Pressure Regulating Device in Stem</b>				
500-200-PRD	\$4.40	6" Shrub Adapters w/PRD, Male Threads	100	100
500-201-PRD	\$4.40	6" Shrub Adapters w/PRD, Female Threads	100	100

## 900 SERIES POP-UP SPRINKLERS



With Co - molded Wiper Seal

PART NO. MALE	PART NO. FEMALE	LIST PRICE	DESCRIPTION	CASE QTY.
<b>Standard Pop-up Sprinklers with co-molded wiper seal</b>				
902	902F	\$3.40	2" pop-up spray head with co-molded wiper seal	100
903	903F	\$3.40	3" pop-up spray head with co-molded wiper seal	75
904	904F	\$3.40	4" pop-up spray head with co-molded wiper seal	75
905	905F	\$6.75	5" pop-up spray head with co-molded wiper seal	50
906	906F	\$9.95	6" pop-up spray head with co-molded wiper seal	50
906S	906SF	\$10.45	6" pop-up spray head with side inlet and co-molded wiper seal	50
912	912F	\$14.00	12" pop-up spray head with side inlet and co-molded wiper seal	50
<b>Pop-up Sprinkler with Check Valve and co-molded wiper seal</b>				
904-CKV	904F-CKV	\$5.15	4" pop-up spray head with check valve and co-molded wiper seal	75
905-CKV	905F-CKV	\$9.25	5" pop-up spray head with check valve and co-molded wiper seal	50
906-CKV	906F-CKV	\$13.25	6" pop-up spray head with check valve and co-molded wiper seal	50
912-CKV	912F-CKV	\$17.00	12" pop-up spray head with check valve and co-molded wiper seal	50
<b>Pop-up Sprinkler with Pressure Regulating Device in Stem</b>				
904-PRD	904F-PRD	\$5.15	4" pop-up with pressure regulating device in stem and co-molded wiper seal	75
905-PRD	905F-PRD	\$10.65	5" pop-up with pressure regulating device in stem and co-molded wiper seal	50
906-PRD	906F-PRD	\$14.95	6" pop-up with pressure regulating device in stem and co-molded wiper seal	50
906S-PRD	906SF-PRD	\$15.45	6" pop-up with side inlet, pressure regulating device in stem and co-molded wiper seal	50
912-PRD	912F-PRD	\$19.00	12" pop-up with pressure regulating device in stem and co-molded wiper seal	50
<b>Pop-up Sprinklers with Check Valve and Pressure Regulating Device in Stem</b>				
904-CKV-PRD	904F-CKV-PRD	\$8.50	4" pop-up with check valve and pressure regulating device in stem and co-molded wiper seal	75
905-CKV-PRD	905F-CKV-PRD	\$13.25	5" pop-up with check valve and pressure regulating device in stem and co-molded wiper seal	50
906-CKV-PRD	906F-CKV-PRD	\$17.95	6" pop-up with check valve and pressure regulating device in stem and co-molded wiper seal	50
912-CKV-PRD	912F-CKV-PRD	\$21.50	12" pop-up with check valve and pressure regulating device in stem and co-molded wiper seal	50
<b>Pop-up Sprinklers / Option and Accessories</b>				
900-CAP	-	\$1.85	Replacement cap (for Rain Pro and Rainbird™ Series Pop-ups)	30
900-CAP-R	-	\$2.70	Reclaimed purple cap (for Rain Pro and Rainbird™ Series Pop-ups)	30
-R	-R	0.95	Reclaimed purple cap, add \$0.95 to any product above in lieu of standard cap	30

Male Pop-up Sprinklers have the exclusive Green Flush Plug for ease of flushing and Nozzle installation. Patent #5,163,618  
 Female Pop-up Sprinklers have the exclusive Red Flush Plug for ease of flushing and Nozzle installation. Patent #5,163,618



# 700 SERIES POP-UP SPRINKLERS



PART NO.	LIST PRICE	PART NO.	LIST PRICE	DESCRIPTION	CASE QTY.	PALLET QTY.
<b>WITH CHECK VALVE</b>						
<b>Male Pop-Up Spray Heads with Green Flush Plugs (For use with female threaded nozzles)</b>						
702	\$3.07	702-CKV	\$4.57	2" male pop-up spray head	100	6,000
703	\$3.15	703-CKV	\$4.65	3" male pop-up spray head	100	4,500
704	\$3.15	704-CKV	\$4.65	4" male pop-up spray head	100	4,500
706	\$8.43	706-CKV	\$9.93	6" male pop-up spray head	100	3,000
712	\$14.00	712-CKV	\$15.50	12" male pop-up spray head	50	1,000
<b>Female Pop-Up Spray Heads with Red Flush Plugs (For use male threaded nozzles)</b>						
702F	\$3.07	702F-CKV	\$4.57	2" female pop-up spray head	100	6,000
703F	\$3.15	703F-CKV	\$4.65	3" female pop-up spray head	100	4,500
704F	\$3.15	704F-CKV	\$4.65	4" female pop-up spray head	100	4,500
706F	\$8.43	706F-CKV	\$9.93	6" female pop-up spray head	100	3,000
712F	\$14.00	712F-CKV	\$15.50	12" female pop-up spray head	50	1,000
<b>Sprinkler Options</b>						
-R	\$0.75	Reclaimed purple cap, add \$0.75 to any product above in lieu of standard cap			30	
700-004	\$1.50	Universal pop-up spray head check valve for use with any 700 Series Pop-up			50	

Male Pop-up Sprinklers have the exclusive Green Flush Plug for ease of flushing and Nozzle installation. Patent #5,163,618  
 Female Pop-up Sprinklers have the exclusive Red Flush Plug for ease of flushing and Nozzle installation. Patent #5,163,618

# HP POP-UP SPRINKLERS



## 2" and 4" with Adjustable Arc Nozzle Option

PART NO.	LIST PRICE	DESCRIPTION	CASE QTY.	PALLET QTY.
HP02	\$2.25	2" pop-up spray head male piston with flush plug	100	6,000
HP04	\$2.35	4" pop-up spray head male piston with flush plug	100	4,500
HP02 15A	\$3.85	2" pop-up w/15' adjustable arc nozzle	100	6,000
HP02 12A	\$3.85	2" pop-up w/12' adjustable arc nozzle	100	6,000
HP02 10A	\$3.85	2" pop-up w/10' adjustable arc nozzle	100	6,000
HP02 8A	\$3.85	2" pop-up w/8' adjustable arc nozzle	100	6,000
HP04 15A	\$3.95	4" pop-up w/15' adjustable arc nozzle	100	4,500
HP04 12A	\$3.95	4" pop-up w/12' adjustable arc nozzle	100	4,500
HP04 10A	\$3.95	4" pop-up w/10' adjustable arc nozzle	100	4,500
HP04 8A	\$3.95	4" pop-up w/8' adjustable arc nozzle	100	4,500
HP-CKV	\$0.90	Check Valve for HP series Pop-ups (Installed or Bulk) any model	100	NA

# PROLINE FIXED ARC NOZZLES

- Available with either Male or Female Threads
- Designed with Matched Precipitation Rates
- Stainless Steel Screw for Radius Adjustments
- Male threaded nozzles are color coded,  
Female threaded nozzles are Black



MALE  
THREADED



FEMALE  
THREADED

PART NO. FEMALE	PART NO. MALE	LIST PRICE w/screen	MATCHED PRECIPITATION RATE NOZZLE DESCRIPTION	BAG QTY.	CASE QTY.	PALLET QTY.
	add "-M"					
<b>15' Standard Spray - Black</b>						
501-110	M501-110	\$1.87	15Q Quarter Circle	25	500	5000
501-111	M501-111	\$1.87	15T 120° Circle	25	500	5000
501-112	M501-112	\$1.87	15H Half Circle	25	500	5000
501-113	M501-113	\$1.87	15TT 240° Circle	25	500	5000
501-114	M501-114	\$1.87	15TQ 270° Circle	25	500	5000
501-115	M501-115	\$1.87	15F Full Circle	25	500	5000
<b>12' - Brown</b>						
501-116	M501-116	\$1.87	12Q Quarter Circle	25	500	5000
501-117	M501-117	\$1.87	12T 120° Circle	25	500	5000
501-118	M501-118	\$1.87	12H Half Circle	25	500	5000
501-119	M501-119	\$1.87	12TT 240° Circle	25	500	5000
501-120	M501-120	\$1.87	12TQ 270° Circle	25	500	5000
501-121	M501-121	\$1.87	12F Full Circle	25	500	5000
<b>10' Low Angle - Blue</b>						
501-122	M501-122	\$1.87	10QLA Quarter Circle	25	500	5000
501-141	M501-141	\$1.87	10TLA 120° Circle	25	500	5000
501-123	M501-123	\$1.87	10HLA Half Circle	25	500	5000
501-124	M501-124	\$1.87	10FLA Full Circle	25	500	5000
<b>8' Flat - Green</b>						
501-125	M501-125	\$1.87	8FSQ Quarter Circle	25	500	5000
501-142	M501-142	\$1.87	8FST 120° Circle	25	500	5000
501-126	M501-126	\$1.87	8FSH Half Circle	25	500	5000
501-127	M501-127	\$1.87	8FSF Full Circle	25	500	5000
<b>6' Flat Low Gallonage - Red</b>						
501-128	M501-128	\$1.87	6FSQ-LG Quarter Circle	25	500	5000
501-129	M501-129	\$1.87	6FSH-LG Half Circle	25	500	5000
501-130	M501-130	\$1.87	6FSF-LG Full Circle	25	500	5000
<b>Special Pattern - Orange</b>						
501-131	M501-131	\$1.87	15SST4 4'x 30' Side Strip	25	500	5000
501-132	M501-132	\$1.87	17SST9 9' x 18' Side Strip	25	500	5000
501-133	M501-133	\$1.87	15EST 4' x 15' End Strip	25	500	5000
501-134	M501-134	\$1.87	15CST 4' x 30' Center Strip	25	500	5000
<b>10° Stream Spray - Black</b>						
501-135	M501-135	\$1.87	10° SSQ Quarter Circle	25	500	5000
501-136	M501-136	\$1.87	10° SSH Half Circle	25	500	5000
501-137	M501-137	\$1.87	10° SSF Full Circle	25	500	5000
<b>35° Stream Spray- Black</b>						
501-138	M501-138	\$1.87	35° SSQ Quarter Circle	25	500	5000
501-139	M501-139	\$1.87	35° SSH Half Circle	25	500	5000
501-140	M501-140	\$1.87	35° SSF Full Circle	25	500	5000

# PROLINE ADJUSTABLE FIXED ARC NOZZLES



- Male & Female Threaded Nozzles
- Color Coded
- Matched Precipitation Rate 20° - 360° includes Screen in Bag

PART NO. MALE	PART NO. FEMALE	COLOR	LIST PRICE	DESCRIPTION	BAG QTY.	CASE QTY.	PALLET QTY.
AA17-M	AA17	Grey	\$1.98	17' Radius Adjustable Arc Nozzle	25	500	5000
AA15-M	AA15	Black	\$1.98	15' Radius Adjustable Arc Nozzle	25	500	5000
AA12-M	AA12	Green	\$1.98	12' Radius Adjustable Arc Nozzle	25	500	5000
AA10-M	AA10	Red	\$1.98	10' Radius Adjustable Arc Nozzle	25	500	5000
AA8-M	AA8	Brown	\$1.98	8' Radius Adjustable Arc Nozzle	25	500	5000
AA6-M	AA6	Orange	\$1.98	6' Radius Adjustable Arc Nozzle	25	500	5000
AA4-M	AA4	Yellow	\$1.98	4' Radius Adjustable Arc Nozzle	25	500	5000

# 100 SERIES PVC VALVES



- 1" Versatile PVC Valve with Internal Manual Bleed and a variety of to meet your needs, including: 1" Female thread, 1" Male thread, 1" Slip, 1" Barb outlet, 3/4" Male thread, 3/4" Female thread, 1" Spigot
- HIT 100 Series Valves are designed to save you fittings, time and money.

All valves for outdoor use and installation only.

PART NO.	LIST PRICE	DESCRIPTION	CASE QTY.	PALLET QTY.
110-000	\$23.50	1" Valve without flow control, 1" female thread inlet and outlet	12	1152
110-505	\$23.50	1" Valve without flow control, 1" slip socket inlet and outlet	12	1152
110-101	\$23.50	1" Valve without flow control, 1" male thread inlet and outlet	12	1152
110-707	\$23.50	3/4" Valve without flow control, 3/4" male thread inlet and outlet	12	1152
110-606	\$23.50	3/4" Valve without flow control, 3/4" female thread inlet and outlet	12	1152
110-003	\$23.50	1" Valve without flow control, 1" female thread and inlet 1" barb outlet	12	1152
110-103	\$23.50	1" Valve without flow control, 1" male thread inlet and 1" barb outlet	12	1152
110-703	\$23.50	1" Valve without flow control, 3/4" male thread inlet and 1" barb outlet	12	1152
110-503	\$23.50	1" Valve without flow control, 1" slip socket inlet and 1" barb outlet	12	1152
110-205	\$23.50	1" Valve without flow control, 1" spigot slip inlet and 1" socket outlet	12	1152
110-050	\$25.50	1" Valve with flow control, 1" female thread inlet and outlet	12	1152
110-555	\$25.50	1" Valve with flow control, 1" slip socket inlet and outlet	12	1152
110-151	\$25.50	1" Valve with flow control, 1" male thread inlet and outlet	12	1152
110-757	\$25.50	3/4" Valve with flow control, 3/4" male thread inlet and outlet	12	1152
110-656	\$25.50	3/4" Valve with flow control, 3/4" female thread inlet and outlet	12	1152
110-053	\$25.50	1" Valve with flow control, 1" female thread inlet and 1" barb outlet	12	1152
110-153	\$25.50	1" Valve with flow control, 1" male thread inlet and 1" barb outlet	12	1152
110-753	\$25.50	1" Valve with flow control, 3/4" male thread inlet 1" barb outlet	12	1152
110-553	\$25.50	1" Valve with flow control, 1" slip socket inlet and 1" barb outlet	12	1152
110-255	\$25.50	1" Valve with flow control, 1" spigot slip inlet and 1" socket outlet	12	1152

Standard with NPT threaded ports. Consult factory for BSP threaded ports, 50 hertz solenoids

# 200 SERIES PVC VALVES



- PVC Globe / Angle Valve for Residential and Commercial Use. with 150 psi rating

All valves for outdoor use and installation only.

PART NO.	LIST PRICE	DESCRIPTION	CASE QTY.	PALLET QTY.
275-000	\$25.25	3/4" PVC inline electric globe valve without flow control, internal manual bleed and threaded ports, 24 VAC	12	1,152
275-050	\$25.25	3/4" PVC inline electric globe valve without flow control, internal manual bleed and threaded ports, 24 VAC	12	1,152
210-000	\$25.25	1" PVC inline electric globe valve without flow control, internal manual bleed and threaded ports, 24 VAC	12	1,152
210-005	\$25.25	1" PVC inline electric globe valve without flow control, internal manual bleed and slip x slip ports, 24 VAC	12	1,152
210-055	\$27.29	1" PVC inline electric globe valve with internal manual bleed, flow control and slip x slip ports, 24 VAC	12	1,152
210-050	\$27.29	1" PVC inline electric globe valve, with internal manual bleed, flow control and female threaded connections, 24 VAC	12	1,152
215-050	\$77.25	1-1/2" PVC inline electric globe / angle valve, with internal manual bleed, flow control and female threaded connections, 24 VAC	8	384
220-050	\$110	2" PVC inline electric globe / angle valve with internal manual bleed, flow control and female threaded connections, 24 VAC	8	384

Add \$15.00 to list price for 110 VAC solenoid in lieu of 24 VAC solenoid. Consult factory for BSP threads and different solenoid options.

All solenoid wire leads are factory "solder tinned"

# 300 SERIES STRAIGHT FLOW VALVES



1" Glass Filled Straight Flow Valve with 150 psi Rating

All valves for outdoor use and installation only.

PART NO.	LIST PRICE	DESCRIPTION	CASE QTY.	PALLET QTY.
310-000	\$29.25	1" glass filled nylon straight flow valve without flow control, internal manual bleed and threaded ports, 24 VAC	12	1,152
310-005	\$29.25	1" glass filled pvc straight flow valve without flow control, internal manual bleed and slip x slip ports, 24 VAC	12	1,152
310-050	\$31.35	1" glass filled nylon straight flow valve with internal manual bleed, flow control and threaded ports, 24 VAC	12	1,152
310-055	\$31.35	1" glass filled pvc straight flow valve with internal manual bleed, flow control and slip x slip ports, 24 VAC	12	1,152

Add \$15.00 to list price for 110 VAC solenoid in lieu of 24 VAC solenoid. Standard with NPT threaded ports. Consult factory for BSP threaded ports and 50 hertz solenoids. Valve design covered by patent # 5,632,465.

All solenoid wire leads are factory "solder tinned"





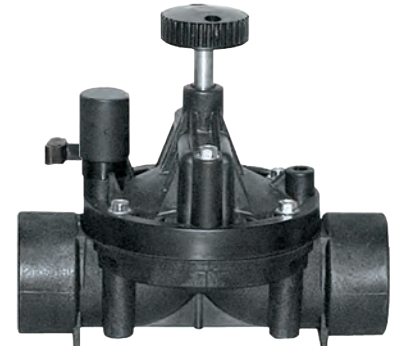
**510-050**  
1"



**515-050**  
1-1/2"



**520-050**  
2"



**530-050**  
3"

## 500 SERIES STRAIGHT FLOW VALVES

- Glass Filled Nylon Construction with Straight Flow Pattern
- Designed for Commercial Use
- 200 psi Rating
- 6-Bolt Pattern
- Stainless Steel Flow Control Stem
- 5-Year Warranty

All valves for outdoor use and installation only.

PART NO.	LIST PRICE	DESCRIPTION	CASE QTY.	PALLET QTY.
510-000	\$64.75	1" glass filled nylon straight flow valve without flow control, internal manual bleed, threaded ports, 6 bolt pattern, 24VAC	12	1,152
510-000-P	\$114.25	510-000 with pressure regulating, without flow control	12	1,152
510-005	\$66.50	1" glass filled nylon straight flow, internal manual bleed, slip x slip ports, 6 bolt pattern, 24VAC	12	1,152
510-050	\$69.00	1" glass filled nylon straight flow valve with internal manual bleed, stainless steel flow control stem, threaded ports, 6 bolt pattern, 24VAC	12	1,152
510-050-P	\$136.00	510-050 with pressure regulating	12	1,152
510-050-R	\$80.50	1" glass filled nylon straight flow valve with internal manual bleed, bonnet/flow control handle in reclaimed warning purple, threaded ports, 24VAC	12	1,152
510-055	\$69.00	1" glass filled nylon straight flow valve with internal manual bleed, stainless steel flow control stem, slip x slip, 6 bolt pattern, 24VAC	12	1,152
510-050-NO	\$229.00	1" glass filled nylon straight flow valve stainless steel flow control and fasteners, 24VAC, Normally Open (Valve closes when activated)	12	1,152
515-050	\$91.50	1-1/2" glass filled nylon straight flow valve with internal manual bleed, stainless steel flow control stem, threaded ports, 6 bolt pattern, 24VAC	8	384
515-050-P	\$159.50	515-050 with pressure regulating	8	384
515-050-R	\$104.00	1 1/2" glass filled nylon straight flow valve with internal manual bleed, bonnet/flow control handle in reclaimed warning purple, threaded ports, 24VAC	8	384
515-050-NO	\$251.50	1.5" glass filled nylon straight flow valve stainless steel flow control and fasteners, 24VAC, Normally Open (Valve closes when activated)	8	384
520-050	\$114.00	2" glass filled nylon straight flow valve with internal manual bleed, stainless steel flow control stem, threaded ports, 6 bolt pattern, 24VAC	8	384
520-050-P	\$181.65	520-050 with pressure regulating	8	384
520-050-NO	\$274.00	2" glass filled nylon straight flow valve stainless steel flow control and fasteners, 24VAC, Normally Open (Valve closes when activated)	8	384
520-050-R	\$127.35	2" glass filled nylon straight flow valve with internal manual bleed, bonnet/flow control handle in reclaimed warning purple, threaded ports, 24VAC	8	384
530-050	\$335.26	3" glass filled nylon straight flow valve with internal manual bleed, stainless steel flow control stem, threaded ports, 6 bolt pattern, 24VAC	8	384
530-050-P	\$402.91	530-050 with pressure regulating	8	384
530-050-NO	\$495.26	3" glass filled nylon straight flow valve stainless steel flow control and fasteners, 24VAC, Normally Open (Valve closes when activated)	8	384

Add \$15.00 to list price for 110 VAC solenoid in lieu of 24 VAC solenoid. Standard with NPT threaded ports. Consult factory for BSP threaded ports and 50 hertz solenoids. Valve design covered by patent # 5,632,465. All solenoid wire leads are factory "solder tinned"

## 8400 SERIES JAR TOP VALVES

- The Rain Pro JAR TOP valves are manufactured of PVC and engineered resin to provide many years and thousands of valve cycles of uninterrupted service.
- Rain Pro valves provide a heavy duty, co-molded diaphragm and valve seat for positive long term closing that exceeds the service life of its competitors.
- Valve bonnet, diaphragm, and lower body are interchangeable with Richdel,<sup>™</sup> Irritrol,<sup>™</sup> 2400 Series valves.



All valves for outdoor use and installation only.

PART NO.	LIST PRICE	DESCRIPTION	CASE QTY.	PALLET QTY.
8410T	\$23.65	Jar Top Valve with 1" female NPT threads	20	1,200
8410	\$23.65	Jar Top Valve with 1" slip socket	20	1,200
8475T	\$23.65	Jar Top Valve with 3/4" female NPT Threads	20	1,200
8475	\$23.65	Jar Top Valve with 3/4" slip socket	20	1,200

Add \$15.00 list price for 110 VAC solenoid in lieu of 24 VAC solenoid.  
Consult factory for BSP threads and different solenoid options.

All solenoid wire leads are factory "solder tinned"

# LogicPLUS S TWO-WIRE TECHNOLOGY

Two-Wire Controllers  
Universal 2 Plus  
Two-Wire Converter



PART NO.	LIST PRICE	DESCRIPTION	CASE QTY.
LP42S-C	\$1,485.00	1-42 Station, 8 Program, 8 Starts per program, 4 path, two-wire output controller in stainless steel locking enclosure. Requires one "LP-RP" programmable receiver per valve.	1
LP128S-C	\$2,175.00	1-128 Station, 16 program, 16 Starts per program, 4 path two-wire output controller in stainless steel locking enclosure. Requires one "LP-RP" programmable receiver per valve.	1
LP-PED	\$525.00	Stainless steel pedestal for use with LP-42 and LP-128 Controllers.	1
LP-RP	\$101.50	Programmable Receiver for LogicPLUS Controllers and LP-UNI-2. Programming of receiver requires a LP-42, LP-128 Controller or LP-HHRP. The LP-UNI-2 utilizes the LP-RP receiver. Each case of 16 LP-RP contains one each #1-#128 receiver identification tag kits. Each LP-RP also includes a pair of DBC-BR brass, waterproof wire connectors for splice to two-wire path.	16
LP-HHRP	\$470.00	Hand-held battery operated device for programming LogicPLUS receivers in the field.	1
L-RP-ID	\$18.00	Extra Programmable Receiver Identification Kit. Consists of one each identification tag for Receivers #1-#128.	1
LP-SPD-F	\$57.50	Surge Protection Device for field wiring of two-wire path. To be installed approximately every 300 - 500 ft along two-wire path. Install with grounding rod (not included). Include DBC-BR Wire Connectors Kit.	1
LP-UNI-2	\$1,145.00	Universal 2 Plus, 1 to 40 Station Two-Wire System Converter with dual output in stainless steel enclosure (requires one receiver per valve-sold separately part no. LP-RP)	1
DBC-R/Y	\$3.75	1 Kit consists of 2 water proof, direct bury, gel-filled splice housings, 2 R/Y 3M wire nuts and 1 splice organizer in a bag.	100 Kits
DBC-R/Y1	\$1.95	Bulk is 1 water proof, direct bury, gel-filled splice housing and 1 R/Y 3M wire nut, bulk packed separately in quantities of 100 each.	100 Box-Bulk
LP-SPD-PAN-S	\$195.00	Replacement Module for sacrificial surge protection panel in LogicPLUS Controller.	1
DBC-BR	\$7.50	Logic Receiver Waterproof brass splice kit with direct bury, gel-filled housing for Receiver to Two-wire path connection. Two connectors per kit includes splice organizer.	100 Kits
DBC-SPL	\$6.85	Direct Bury Splice Kit includes 2 "screw-tight" brass wire connectors with external thread and 2 oversize gel filled, wire nuts with internal threads to accept "screw-tight connectors. Recommended use for outdoor lighting or other uses of 30 volts or less. Do not use for LogicPLUS or other two-wire communication systems.	100 Kits
LP-RPC	\$12.50	Replacement Programming Cables.	1
<b>Radio Remote Options</b>			
LP-RAD-SK	\$1,850.00	Sidekick Radio remote compatible with Logic 2 or 3 and LogicPLUS 42 or 128.	1
LP-RAD-COM	\$4,935.00	Commander Radio remote to 128 stations included: case, radio remote transmitter, radio receiver, antennae with mounting bracket.	1
LP-RAD-COM-T	\$2,995.00	Transmitter (only)	1
LP-RAD-COM-R	\$1,925.00	Receiver 128 station (only)	1



## PRO-Two 2 WIRE CONTROLLER

PART NO.	LIST PRICE	DESCRIPTION	CASE QTY.
P2	\$299.00	Two Wire 16 station Outdoor Controller	8
P2-I	\$275.00	Two Wire 16 station Indoor Controller	8
P2-D	\$59.00	Decoder for PRO-Two-C	16

**TWO WIRE!**



## RAIN PRO EXPANDABLE "XC" CONTROLLER

PART NO.	LIST PRICE	DESCRIPTION	CASE QTY.
RP-XC-315	\$185.00	Rain Pro 3-15 station expandable outdoor controller with locking door and internal transformer includes one 3 station module	8
RPI-XC-315	\$150.00	Rain Pro 3-15 station expandable indoor controller with plug-in transformer includes one 3 station module	8
RP-XC-4	\$40.50	Rain Pro Controller 4 station module	20



## BATTERY OPERATED CONTROLLERS

PART NO.	LIST PRICE	DESCRIPTION	CASE QTY.
BOC	\$105.00	Single Station Battery Controller w/Standard latching solenoid (w/o valve)	16
BOC-210-050	\$127.00	Single Station Battery Controller w/210-050 valve	12
BOC-8410T	\$125.00	Single Station Battery Controller w/8410T Jar Top valve	12
BOC- SOL	\$38.99	Latching solenoid w/3/4"-20 thread	12
SOL-AD-RB	\$12.00	Solenoid adapter for 3/4"-20 thread to Rainbird™ solenoid thread	12



## PLUG-IN PIG TAILS

PART NO.	LIST PRICE	DESCRIPTION	CASE QTY.
H3PT	\$7.00	3' Long, 3 Wire, 16 Ga, 3 Prong Angle Plug, Pig Tail	12
H6PT	\$8.00	6' Long, 3 Wire, 16 Ga, 3 Prong Angle Plug, Pig Tail	12
H6PT-S	\$8.00	6' Long, 3 Wire, 16 Ga, 3 Prong Straight Plug, Pig Tail	12
H8PT	\$9.00	8' Long, 3 Wire, 16 Ga, 3 Prong Angle Plug, Pig Tail	12



LAKE/PUMP FILTERS



PART NO.	LIST PRICE	DESCRIPTION	CASE QTY.
<b>Lake/Pump Filters</b>			
PON-006	\$118.00	6" Lake/Pump Filter, 0-40 gpm, w/2" PVC connection fittings	1
PON-012	\$219.00	12" Lake/Pump Filter, 0-80 gpm, w/2" PVC connection fittings.	1

HAND PUMP



PART NO.	LIST PRICE	DESCRIPTION	CASE QTY.
<b>Hand Pumps</b>			
HP-36-G	\$78.00	Hand Pump, 36" long w/6' flexible outlet hose, w/outlet hose stake	10
HP-33-G	\$60.00	Hand Pump, 36" long w/3' flexible outlet hose, w/outlet hose stake	10

EASY PUSH FUNNY PIPE FITTING



PART NO.	LIST PRICE	DESCRIPTION	BAG QTY.
<b>Easy Push Funny Pipe Fittings</b>			
EZFP-005	\$0.49	Easy Push 1/2" Funny Pipe Fitting 1/2" Male x 1/2" EZ Barb Ell	50



## FUNNY PIPE FITTINGS

PART NO.	LIST PRICE	DESCRIPTION	BOX QTY.	CASE QTY.
<b>Funny Pipe Fittings</b>				
1413-005	\$0.36	1/2" Male x 1/2" Barb Ell	100	500
1413-074	\$0.36	3/4" Male x 1/2" Barb Ell	100	500
1429-005	\$0.36	1/2" Barb x 1/2" Barb Coupler	100	500
1436-005	\$0.36	1/2" Male x 1/2" Barb Adapter	100	500
1436-101	\$0.36	3/4" Male x 1/2" Barb Adapter	50/500	500



## MARLEX STREET ELLS

PART NO.	LIST PRICE	DESCRIPTION	CASE QTY.	PALLET QTY.
<b>Marlex Street Ells</b>				
M412-005	\$0.49	1/2" marlex street Ell	50	19,600
M412-007	\$0.61	3/4" marlex street Ell	50	19,600
M412-010	\$0.82	1" marlex street ell	50	19,600



## CUT-OFF-NIPPLES

PART NO.	LIST PRICE	DESCRIPTION	CASE QTY.	PALLET QTY.
<b>Cut-Off Nipples - Black</b>				
CON-0500	\$0.29	1/2" x 6" Cut-off Nipple	50/500	10,000
CON-0700	\$0.42	3/4" x 6" Cut-off Nipple	25/400	10,000
CON-5070	\$0.32	1/2" x 3/4" x 6" Cut-off Nipple	40/640	10,000



## RISER ADAPTER

PART NO.	LIST PRICE	DESCRIPTION	CASE QTY.	PALLET QTY.
<b>Riser Adapter, 1/2" FIPT x 1/4" Barb</b>				
RPRA250-1	\$1.58	1/2" Riser Adapter w/1/4" Barb outlet (1/2" FIPT X 1/2" MIPT w/one 1/4" Barb)	50	1,000
RPRA250-2	\$1.58	1/2" Riser Adapter w/two 1/4" Barb outlets (1/2" FIPT X 1/2" MIPT w/two 1/4" Barbs)	50	1,000



## SWING JOINT ASSEMBLIES



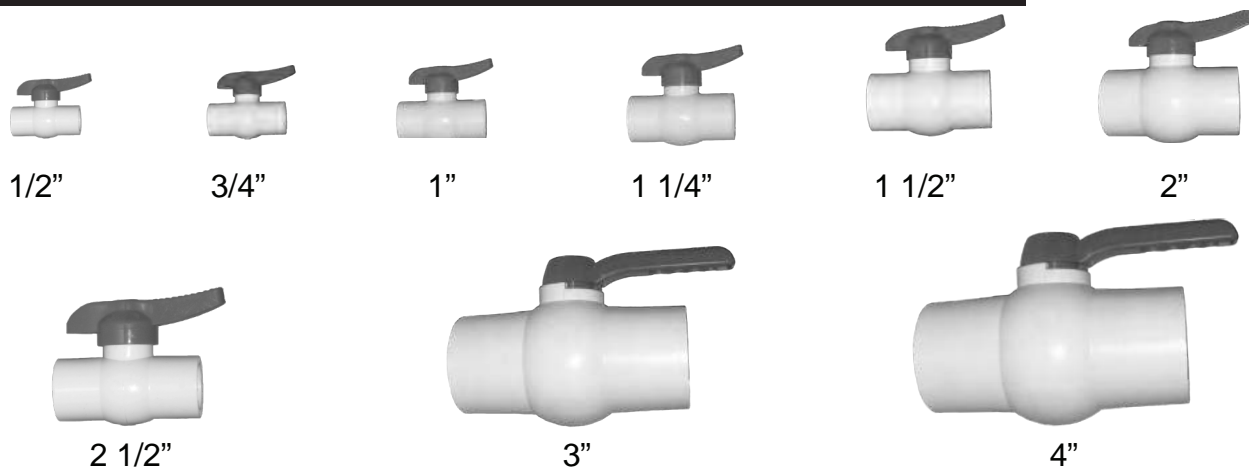
PART NO.	LIST PRICE	DESCRIPTION	BOX QTY.	CASE QTY.
<b>Swing Joint Assemblies</b>				
SJA-605	\$1.76	6" long swing joint 1/2" male thread connections	75	750
SJA-607	\$1.78	6" long swing joint 3/4" male thread connections	75	750
SJA-605-7	\$2.32	6" long swing joint with 1/2" x 3/4" male thread connections	75	750
SJA-1205	\$2.10	12" long swing joint 1/2" male thread connections	75	750
SJA-1205-7	\$2.43	12" long swing joint with 1/2" x 3/4" male thread connections	75	750
SJA-1207	\$2.43	12" long swing joint with 3/4" male thread connections	75	750
SJA-1805	\$2.32	18" long swing joint with 1/2" male thread connections	75	750
SJA-1807	\$2.65	18" long swing joint with 3/4" male thread connections	75	750
SJA2-605	\$2.06	6" long swing joint with 1/2" male thread connections - w/dual marlex	75	750
SJA2-607	\$2.08	6" long swing joint with 3/4" male thread connections - w/dual marlex	75	750
SJA2-605-7	\$2.62	6" long swing joint with 1/2"x 3/4" male thread connections - w/dual marlex	75	750
SJA2-1205	\$2.40	12" long swing joint with 1/2" male thread connections - w/dual marlex	75	750
SJA2-1205-7	\$2.73	12" long swing joint with 1/2"x 3/4" male thread connections - w/dual marlex	75	750
SJA2-1207	\$2.73	12" long swing joint with 3/4" male thread connections - w/dual marlex	75	750

## BUBBLERS ADJUSTABLE AND PC



PART NO.	LIST PRICE	DESCRIPTION	BOX QTY.	CASE QTY.
<b>Proline Adjustable Flood Bubblers</b>				
502-010	\$1.29	1/2" FIPT 0-5 GPM Adjustable Flood Bubbler	50	500
<b>Proline Pressure Compensating Flood Bubblers</b>				
502-014	\$4.65	1/2" FIPT .25 GPM pressure compensating bubbler with strainer	50	500
502-015	\$4.65	1/2" FIPT .50 GPM pressure compensating bubbler with strainer	50	500
502-016	\$4.65	1/2" FIPT .75 GPM pressure compensating bubbler with strainer	50	500
502-017	\$4.65	1/2" FIPT 1.0 GPM pressure compensating bubbler with strainer	50	500
502-018	\$4.65	1/2" FIPT 2.0 GPM pressure compensating bubbler with strainer	50	500
<b>Proline Pressure Compensating Spider Bubblers</b>				
502-020	\$4.65	1/2" FIPT .25 GPM end strip 2 streams with strainer	50	500
502-021	\$4.65	1/2" FIPT .50 GPM center strip 4 streams with strainer	50	500
502-022	\$4.65	1/2" FIPT .50 GPM half circle 4 streams with strainer	50	500
502-023	\$4.65	1/2" FIPT 1.0 GPM full circle 6 streams with strainer	50	500

# PVC BALL VALVES (THREADED OR SLIP CONNECTIONS)



PART NO.		SIZE	SCHEDULE SIZE	PRESSURE RATED AT 70° F	CASE QTY.	LIST PRICE
THREADED	SLIP					
BVT-005	BVS-005	1/2"	80	200 psi	20	\$1.50
BVT-007	BVS-007	3/4"	80	200 psi	20	\$2.25
BVT-010	BVS-010	1"	80	200 psi	20	\$3.35
BVT-012	BVS-012	1 1/4"	80	200 psi	10	\$5.05
BVT-015	BVS-015	1 1/2"	80	200 psi	10	\$6.70
BVT-020	BVS-020	2"	80	200 psi	10	\$10.35
BVT-025	BVS-025	2 1/2"	80	150 psi	5	\$23.60
BVT-030	BVS-030	3"	80	150 psi	5	\$38.25
BVT-040	BVS-040	4"	60	150 psi	4	\$78.50

- PVC Body
- Threaded or Slip Connections
- PVC Handle
- EPDM Seat
- Fully Ported
- Temperature Range 41°F - 122°F

# GROOVE COUPLINGS



PART NO.	LIST PRICE	DESCRIPTION	CASE QTY.
RP-GRCP-2	\$9.76	2" dia, two piece cast iron, grooved, flexible coupling. 300 psi rating	1
RP-GRCP-3	\$9.98	3" dia, two piece cast iron, grooved, flexible coupling. 300 psi rating	1
RP-GRCP-4	\$15.34	4" dia, two piece cast iron, grooved, flexible coupling. 300 psi rating	1
RP-GRCP-6	\$24.78	6" dia, two piece cast iron, grooved, flexible coupling. 300 psi rating	1
RP-GRCP-8	\$40.40	8" dia, two piece cast iron, grooved, flexible coupling. 300 psi rating	1
RP-GRCP-10	\$78.40	10" dia, two piece cast iron, grooved flexible coupling. 300 psi rating	1
RP-GRCP-12	\$106.10	12" dia, two piece cast iron, grooved flexible coupling. 300 psi rating	1

## PRESSURE GAUGES (GLYCERINE FILLED)



PART NO.	LIST PRICE	DESCRIPTION	CASE QTY.
C5-LG015	\$14.30	2 1/2" Glycerin Filled Pressure Gauge 0-15 psi	10
C5-LG030	\$14.30	2 1/2" Glycerin Filled Pressure Gauge 0-30 psi	10
C5-LG060	\$14.30	2 1/2" Glycerin Filled Pressure Gauge 0-60 psi	10
C5-LG100	\$14.30	2 1/2" Glycerin Filled Pressure Gauge 0-100 psi	10
C5-LG160	\$14.30	2 1/2" Glycerin Filled Pressure Gauge 0-160 psi	10

- 2 1/2" Diameter
- Stainless Steel Housing
- Glycerine Filled
- Brass 1/4" MIPT Connection

## PRESSURE GAUGES (NON- GLYCERINE FILLED)



PART NO.	LIST PRICE	DESCRIPTION	CASE QTY.
C5-DG030	\$5.50	2" Dry Pressure Gauge 0-30 psi	10
C5-DG060	\$5.50	2" Dry Pressure Gauge 0-60 psi	10
C5-DG100	\$5.50	2" Dry Pressure Gauge 0-100 psi	10
C5-DG160	\$5.50	2" Dry Pressure Gauge 0-160 psi	10

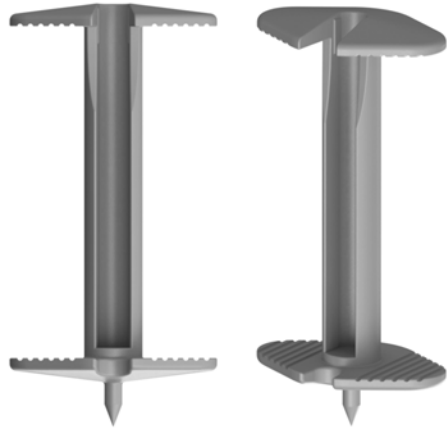
- 2" Diameter
- Steel Housing
- Non-Glycerine Filled
- Brass 1/4" MIPT Connection

## TUBING CUTTERS



PART NO.	LIST PRICE	DESCRIPTION	CASE QTY.
<b>Tubing Cutters</b>			
RPTC-15	\$15.00	1/4" - 1 1/2" Spring Action Tube Cutter - Red	25
RPTC-20	\$15.00	1/4" - 2 1/4" Quick Action Tube Cutter - Red	25
RPTC-30	\$18.70	1/4" - 3" Quick Action Tube Cutter- Black	25
RPBL-15	\$8.40	Replacement blade for RPTC -15	1
RPBL-20	\$11.05	Replacement blade for RPTC - 20	1
RPBL-30	\$11.55	Replacement blade for RPTC - 30	1

**HOLE PUNCH**



PART NO.	LIST PRICE	DESCRIPTION	BAG QTY.
<b>Hole Punch</b>			
RPTP	\$2.50	Bright Yellow Hole Punch made of Keytone material - Stays Sharp	20

**PUMP START RELAYS**



PART NO.	LIST PRICE	DESCRIPTION	CASE QTY.
<b>Pump Start Relays</b>			
PS-200	\$82.80	Pump Start Relay, 2 HP contacts, 24 VAC coil, 110 / 220 VAC. single phase	12
PS-500	\$120.00	Pump Start Relay, 5 HP contacts, 24 VAC coil 110 / 220 VAC, single phase	12



# PROLINE PRESSURE COMPENSATING DEVICE INSERTS FOR MALE THREADED SPRAYHEAD NOZZLES ONLY

PART NO.	LIST PRICE	DESCRIPTION	CASE QTY.	CASE QTY.
<b>Proline Pressure Compensating Device Inserts For Male Threaded Spray head Nozzle Only.</b>				
503-001	\$0.50	.25 GPM Pressure Compensating Device - Black	50	500
503-002	\$0.50	.50 GPM Pressure Compensating Device - Cream	50	500
503-003	\$0.50	.70 GPM Pressure Compensating Device - Blue	50	500
503-004	\$0.50	1.0 GPM Pressure Compensating Device - Red	50	500
503-005	\$0.50	1.4 GPM Pressure Compensating Device - Green	50	500
503-006	\$0.50	2.0 GPM Pressure Compensating Device - White	50	500
503-007	\$0.50	3.0 GPM Pressure Compensating Device - Orange	50	500
503-008	\$0.50	4.0 GPM Pressure Compensating Device - Brown	50	500

## PARTS

PART NO.	LIST PRICE	DESCRIPTION	CASE QTY.
<b>HIT Valve Diaphragms</b>			
210-D	\$5.25	1" Diaphragm Assembly for 200 Series PVC valves, compatible with HIT 200 Series, Richdel™ 205, Hardie™ 205, Irritrol™ 205 Series Valves	12
215-D	\$15.50	1-1/2" Diaphragm Assembly for 200 Series PVC valves, compatible with HIT 200 Series, Richdel™ 216, Hardie™ 216, Irritrol™ 216 Series Valves	12
220-D	\$18.50	2" Diaphragm Assembly for 200 Series PVC valves, compatible with HIT 200 Series, Richdel™ 217, Hardie™ 217, Irritrol™ 217 Series Valves	12
222	\$2.65	Universal Manual Bleed Adapter Assembly (includes manual bleed adapter, handle and o-ring)	12
391-115	\$7.75	1" Diaphragm for HIT 310 and 500 Series non-flow control valve	12
391-116	\$7.75	1" Diaphragm for HIT 310 and 500 Series flow control valve	12
391-150	\$16.00	1-1/2" Diaphragm for HIT 500 Series flow control valve	12
391-200	\$25.50	2" Diaphragm for HIT 500 Series flow control valve	12
8400-D	\$5.25	1" Diaphragm Assembly for Jar Top Valves manufactured by HIT Products Rain Pro, Richdel™, Irritrol™	12
<b>Solenoids</b>			
504-050	\$13.90	Solenoid 24 VAC 60Hz .35 amp inrush, .25 amp holding Compatible with 200, 300, 500 Series, Jar Top HIT valves, Richdel™, Hardie™, Irritrol™ valves	12
504-055	\$26.95	12-volt DC solenoid, 7 watts	12
504-058	\$13.90	Solenoid 24 VAC 60 Hz, .35 amp inrush, .25 amp holding Compatible with 100 Series, ASV HIT Valves	12
504-059	\$24.90	Solenoid 110 VAC 60 Hz, female conduit connection Compatible with 200, 300, 500 Series HIT valves, Richdel™, Hardie™, Irritrol™ valves	12
<b>Controller</b>			
L-RP	\$101.50	Black Programmable Receiver for Logic 1, Logic 2, Logic 3 and Universal 2 ONLY. <b>Not</b> compatible with LogicPLUS equipment. Each L-RP comes w/pair of SDBC-BR brass waterproof wire connectors. Needs to be programmed to desired station number prior to installation.	16
LP-RPC	\$12.50	Replacement Programming Cables LogicPLUS 1 set	1

# Terms and Conditions

**Sales Policy** - RainPro Products are sold through recognized Professional Wholesale Irrigation Distributors only.

**Minimum Order** - \$250 net, case/bag quantities only. No broken case or bag quantities.

**Freight Policy** - Freight Prepaid on combined orders of Turf and Low Flow Drip products of \$1,500 net or greater to one destination within the continental United States. Any special request bearing any additional costs beyond that of carrier of RainPro's choice are born by customer.

**Claim for Shortage** - All claims for shortage are to be made in writing to: RainPro, P.O. Box 929, 556 South Mirage Avenue Lindsay, CA. 93247 USA or FAX (559) 562-6626 within 15 days of receipt of goods.

**Returned Merchandise** - No returned merchandise will be accepted without prior approval and a Returned Goods Authorization number issued by factory. RGA number must be prominently displayed on the outside of the shipping carton. All shipments must be freight prepaid.

All returned merchandise is for replacement only. To obtain a RGA number, please call (559) 562-5975 Extension 109.

**List Price** - All prices are shown in U.S.A. dollars.

## Also See...



# No Hassle Warranty

RainPro will repair or replace, at their discretion, without charge, all parts which are found to have original defects within the warranty period, provided the product is returned at customer's expense. From the date of original sale, the warranty period is

## POP-UP SPRINKLERS

900 Series.....	5 years
700 Series.....	3 years
HP Series.....	2 years
Spray Nozzles.....	2 years

## VALVES

100, 200, 300, Series Valves.....	2 years
Jar Top .....	2 years
500 Series.....	5 years

## CONTROLLERS

Battery Operated Controller.....	1 year
LogicPLUS Two Wire Equipment.....	3 years
Modular, HDC, PRO 2 Two Wire.....	2 years

**ACCESSORIES**.....1 year

RainPro's liability is solely limited to the original cost of the part. RainPro will not be responsible for incidental or consequential damages. All valves for outdoor use and installation only.



### HIT Products Corporation

P.O. Box 929  
556 S. Mirage Avenue  
Lindsay, CA. USA 93247  
Phone: (559) 562-5975 or (800) 468-0071  
Fax: (559) 562-6626  
Email: sales@hitproductscorp.com

### Florida Warehouse

HIT Products Corporation  
9826 Currie Davis Drive  
Tampa, FL. USA 33619

### European Office

HIT Products Europe  
C / EL Nogal, 1  
Pol. Ind. Los Nogales  
28110 Algete, Madrid Spain  
Phone: +34 91 629 34 88  
Email: leo.rodriguez@maxrain.es