

COVER

Style: Flush
 Material: High Density Polymer Concrete and Sheet Molding Compound
 Model: C12
 Weight: 75 LBS
 Surface: Slip Resistant
 Performance: AASHTO H20

BODY

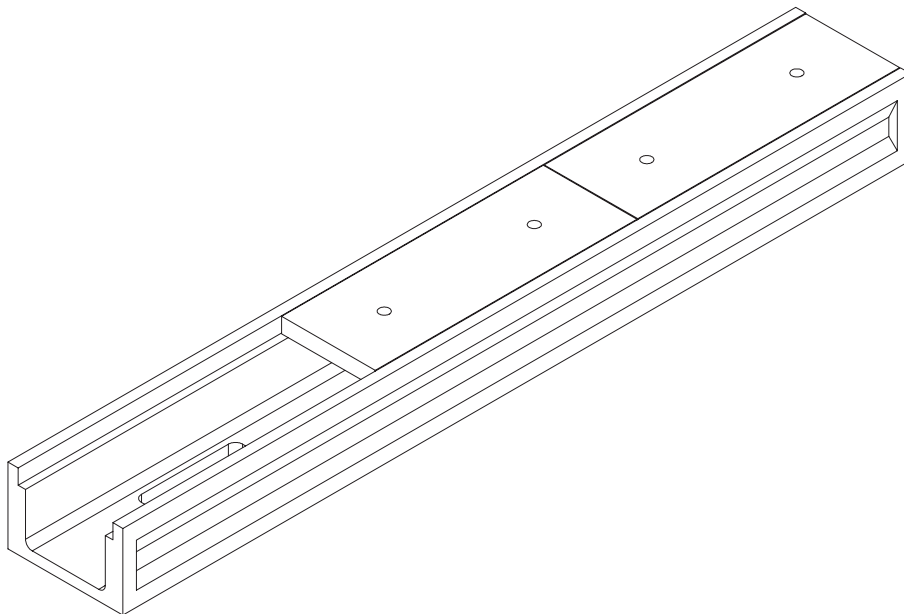
Material: High Density Polymer Concrete
 Model: T128
 Weight: 600 LBS
 Performance: AASHTO H20

OPTIONS

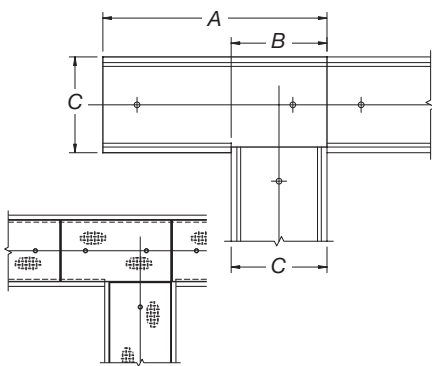
Connections: Custom layout configurations are available

Locking Options: Triangular Key
Penta Bolt

Add-On Options: Dividers
Unistrut
Cable Clips
Attachment Plates

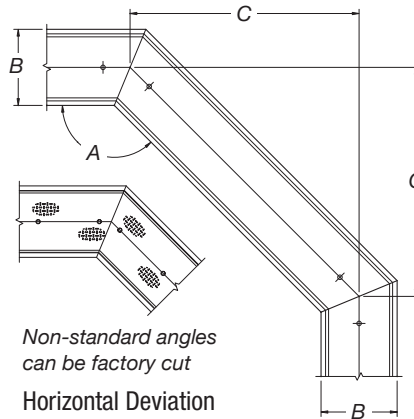


CONFIGURATION



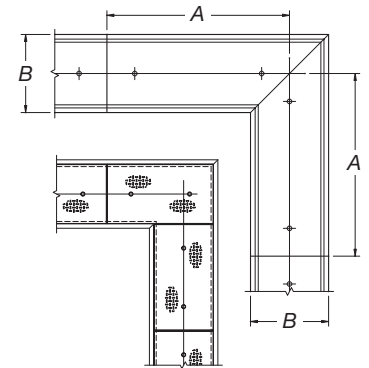
'T' Connection

A	B	C
4'-11 1/16"	1'-5 1/2"	1'-5 1/4"



Non-standard angles
can be factory cut
Horizontal Deviation

A	B	C
135°	1'-5 1/4"	3'-3 1/4"

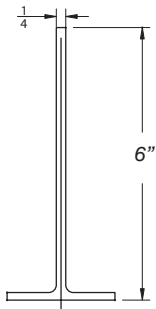


Right Angle

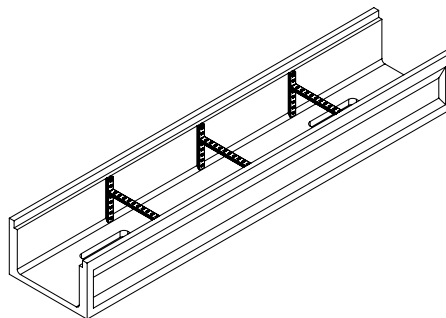
A	B
4'-11 1/16"	1'-5 1/4"

Custom layout configurations are available.

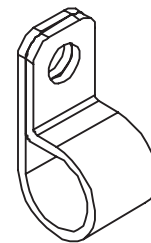
ACCESSORIES



Cable Divider

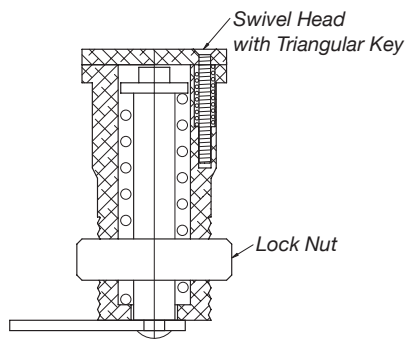


Unistrut

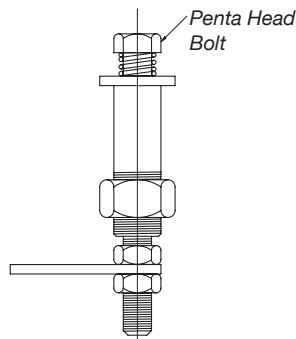


Cable Clips

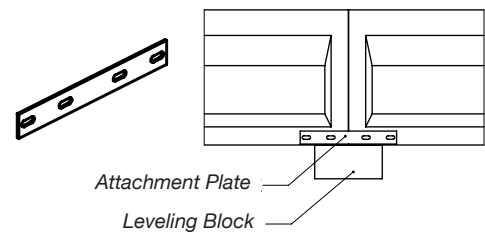
(Galvanized, Stainless Steel, Plastic, or Aluminum)



Triangular Key Lock



Penta Bolt Lock



Attachment Plate

All information contained on this sheet is current at the time of publication.
Oldcastle Precast, Inc. reserves the right to discontinue or update product information without notice.