



Retrofit Shower Floors

Veritek® SHOWER FLOORS

With Fit-Flo Drain

Manufactured from Veritek®
(see page 2 for detailed information)

WARRANTY
Limited Lifetime – Residential
Limited 5-year – Commercial

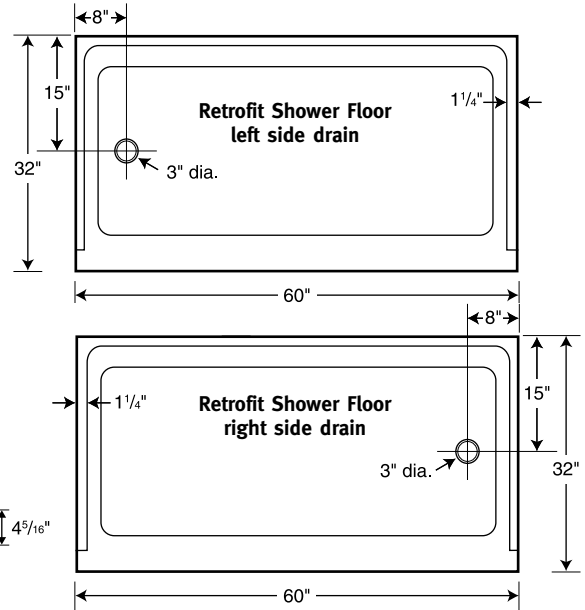
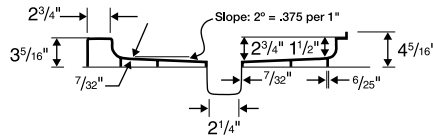
FEATURES

- Will not mold or mildew, no grout to clean
- Coordinates with Swanstone shower and bath walls, vanity tops and wainscoting
- Pebbled, slip-resistant surface
- Made of Veritek with no surface coating to chip or crack
- Without expensive plumbing re-work, this floor can be installed in the same space once occupied by a standard bathtub

Model	Nominal Size	Rough-In Dimensions			
		60"	32"	8"	15"
FR-3260L*	32" x 60"	60-3/8"	32-3/16"	8-3/16"	15-3/16"
FR-3260R**	32" x 60"	60-3/8"	32-3/16"	8-3/16"	15-3/16"

*Retrofit (left side drain) **Retrofit (right side drain)

IMPORTANT: Rough-in dimensions are provided for reference only. You must measure the actual shower floor and check local building code requirements before construction of the stud wall.



SPECIFICATIONS

Retrofit Shower Floors With Fit-Flo Drain

Model	Part	Nominal Size Dimensions	Ship Wt. Lb.	Ship UPS	Carton Dims. In.	Cu. Ft.
FR-3260L	FR3260LM	32" D x 60" W (813 mm x 1524 mm) Retrofit left drain	56	-	66 x 37 x 10	15
FR-3260R	FR3260RM	32" D x 60" W (813 mm x 1524 mm) Retrofit right drain	56	-	66 x 37 x 10	15

Kit Includes: One code approved compression molded Veritek® shower floor with molded-in Fit-Flo drain and complete installation instructions.

Packaging: Each floor packed in a rectangular carton.

STANDARDS AND RATINGS

- Class B fire rating
- American National Standard Institute—ANSI Z124.1.2-2005
- International Association of Plumbing and Mechanical Officials (IAPMO)—listed
- cUPC listed—Certified to CSA Standard B45 by IAPMO
- American Society for Testing and Materials
- National Electrical Manufacturers Association

SUPPORT DOCUMENTS

Installation instructions available on line at www.swanstone.com

MADE IN USA.

COLORS

(See inside back cover for color sample.)

- White (010)
- Bone (037)
- Bisque (018)

MAINTENANCE AND CLEANING INFORMATION

Everyday cleaning with liquid cleaners such as Dow or Lysol foaming bubbles, Top Job, Mr. Clean or similar type products with a sponge or Mr. Clean Magic Eraser. To remove hard water stains or mineral build-up, scale removers such as Lime Away, Rust-out or Whink are recommended. Abrasive cleaners are not recommended on shower bases because they are designed with high sheen areas to help prevent soap scum build up. Prolonged scrubbing will dull the surface over time and promote build-up and soap scum. **Do not** use "leave on" cleaning products such as the Automatic Shower Cleaner. Prolonged contact with harsh chemicals could have an adverse reactive over time and discolor your surfaces. **Do not** use cleaning agents that caution use on acrylic, polyester or plastics.