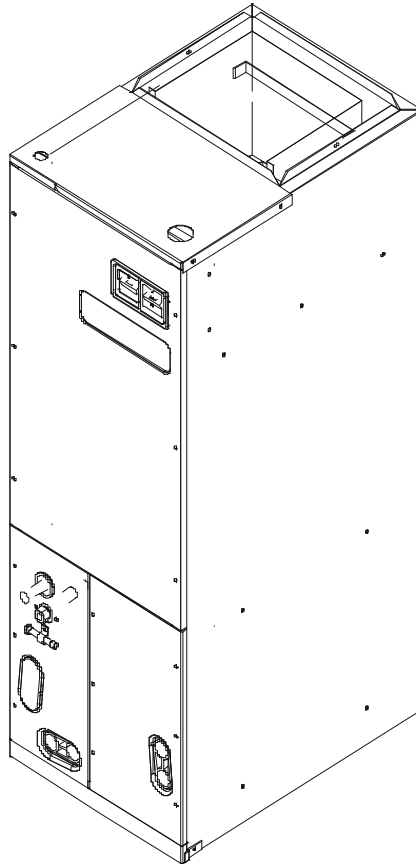


# REPAIR PARTS

## ARUF Air Handlers

ARUF172916AA  
ARUF172916BA  
ARUF182416AA  
ARUF182416BA  
ARUF193116AA  
ARUF193116BA  
ARUF303016AA  
ARUF303016BA  
ARUF363616AA  
ARUF363616BA  
ARUF364216AA  
ARUF364216AB  
ARUF364216AC  
ARUF364216BA  
ARUF364216CA  
ARUF374316AA  
ARUF374316BA  
ARUF486016AA  
ARUF486016AB  
ARUF486016BA  
ARUF496116AA



This manual is to be used by qualified technicians only.

This manual replaces RP-384D

© 2005-2008, 2010 Goodman Manufacturing Company, L.P. ♦ 5151 San Felipe, Suite 500 ♦ Houston, TX 77056

# Important Information

---

## Index

Functional Parts List .....	3
Illustration and Parts .....	4 - 9

*Views shown are for parts illustrations only, not servicing procedures.*

Revision E: Added models ARUF182416BA, ARUF364216AC, and ARUF364216CA.

### Text Codes:

AR - As Required

NA - Not Available

NS - Not Shown

00000000 - See Note

QTY - Quantity Example (QTY 3) (If Quantity not shown, Quantity = 1)

M - Model Example (M1) (If M Code not shown, then part is used on all Models)

### Expanded Model Nomenclature:

Example
M1 - Model#1
M2 - Model#2
M3 - Model#3

Goodman Manufacturing Company, L.P. is not responsible for personal injury or property damage resulting from improper service. Review all service information before beginning repairs.

Warranty service must be performed by an authorized technician, using authorized factory parts. If service is required after the warranty expires, Goodman Manufacturing Company, L.P. also recommends contacting an authorized technician and using authorized factory parts.

Goodman Manufacturing Company, L.P. reserves the right to discontinue, or change at any time, specifications or designs without notice or without incurring obligations.

For assistance within the U.S.A. contact:  
Consumer Affairs Department  
Goodman Manufacturing Company, L.P.  
7401 Security Way  
Houston, Texas 77040  
877-254-4729-Telephone  
713-863-2382-Facsimile

For assistance outside the U.S.A. contact:  
International Division  
Goodman Manufacturing Company, L.P.  
7401 Security Way  
Houston, Texas 77040  
713-861-2500-Telephone  
713-863-2382-Facsimile

# Functional Parts

## Part

## No: Description:

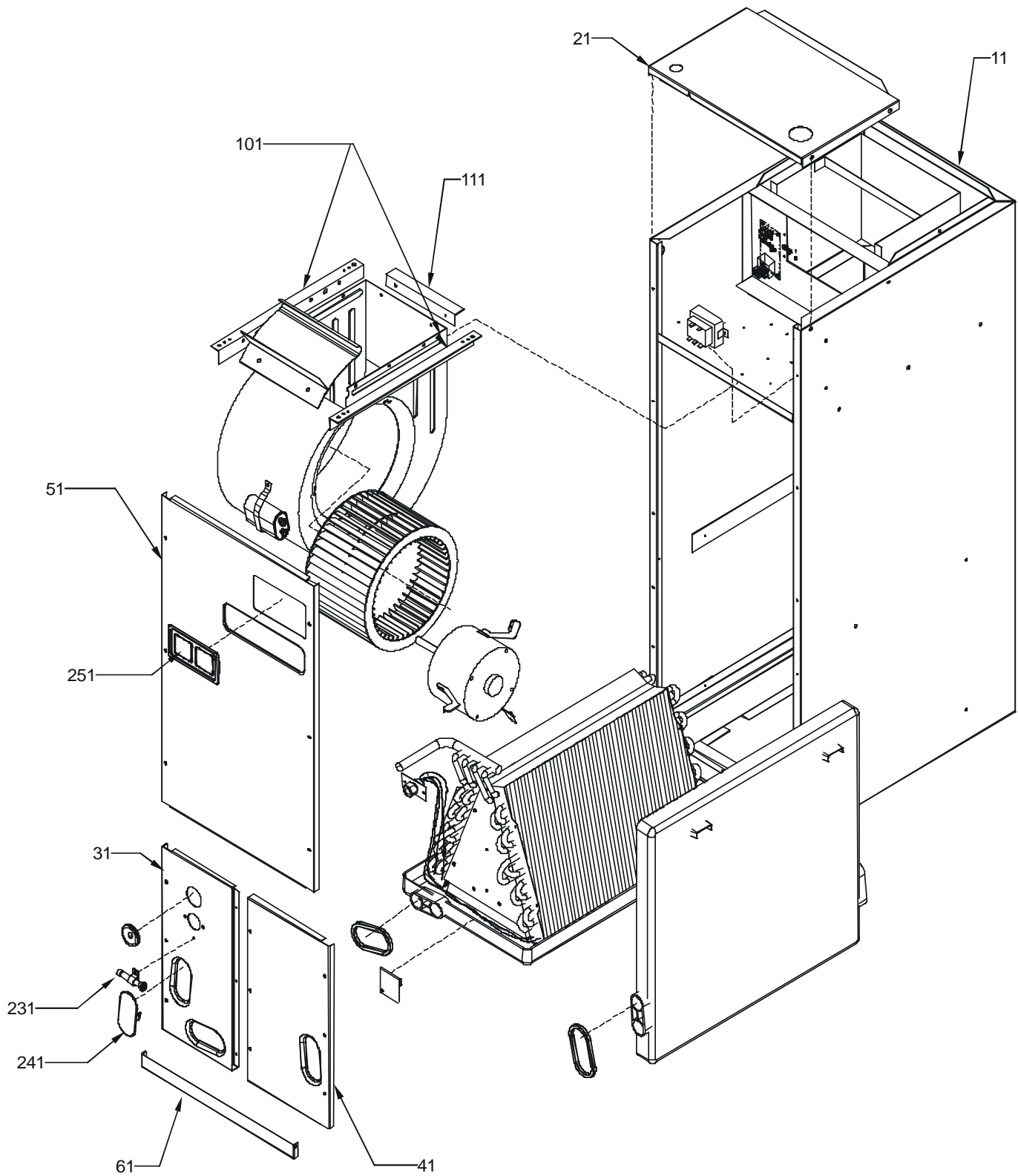
## Expanded Model Nomenclature

0210D00029	90 DEG. STUB ASSY (M15)	M1 - ARUF172916AA
11091204S	BLOWER MOTOR 1/2 HP, 3 SP, 8 PL (M11, M12, M13, M14, M15, M16, M17)	M2 - ARUF172916BA
0131M00005PS	BLOWER MOTOR 1/3 HP, 3 SP, 6 PL (M1, M2, M3, M4)	M3 - ARUF182416AA
11091203S	BLOWER MOTOR 1/3 HP, 3 SP, 6 PL (M7, M8, M9, M10)	M4 - ARUF182416BA
11091207S	BLOWER MOTOR 1/4 HP, 3 SP, 8 PL (M5, M6)	M5 - ARUF193116AA
0131M00000PS	BLOWER MOTOR 3/4 HP, 3 SP, 6 PL (M18, M19, M20, M21)	M6 - ARUF193116BA
D6723306S	BLOWER WHEEL (M18, M19, M20, M21)	M7 - ARUF303016AA
D6723311S	BLOWER WHEEL (M16, M17)	M8 - ARUF303016BA
B1368016S	BLOWER WHEEL 10 X 8 (M11, M12, M13, M14, M15)	M9 - ARUF363616AA
0150M00000S	BLOWER WHEEL 9 X 6 (M1, M2, M3, M4)	M10 - ARUF363616BA
B1368042S	BLOWER WHEEL 9 X 6 (M5, M6)	M11 - ARUF364216AA
0150G00000P	BLOWER WHEEL 9 X 8 (M7, M8, M9, M10)	M12 - ARUF364216AB
PCBFM131	BOARD, ELECTRONIC BLOWER TIME DELAY RELAY	M13 - ARUF364216AC
CAP100000370VAS	CAPACITOR 10/370V (M1, M2, M3, M4, M5, M6, M7, M8, M9, M10)	M14 - ARUF364216BA
CAP150000370VAS	CAPACITOR 15/370V (M11, M12, M13, M14, M15, M16, M17, M18, M19, M20, M21)	M15 - ARUF364216CA
0162D00028	FLOWRATOR .059 (M4)	M16 - ARUF374316AA
0162D00004P	FLOWRATOR .059 (M3)	M17 - ARUF374316BA
0162D00005P	FLOWRATOR .065 (M7, M8)	M18 - ARUF486016AA
B1813465B	FLOWRATOR .065 (M1, M2)	M19 - ARUF486016AB
0162D00021	FLOWRATOR .068 (M5)	M20 - ARUF486016BA
0162D00031	FLOWRATOR .068 (M6)	M21 - ARUF496116AA
0162D00023	FLOWRATOR .074 (M9)	
0162D00032S	FLOWRATOR .074 (M10)	
0162D00006P	FLOWRATOR .078 (M11, M12, M13, M14)	
0162D00020	FLOWRATOR .078 (M16)	
0162A00043	FLOWRATOR .078 (M15)	
0162D00007P	FLOWRATOR .093 (M17, M18, M19, M21)	
0162D00033S	FLOWRATOR .096 (M20)	
B1796630	INLET TUBE FLOWRATOR (M1, M2, M3, M4, M5, M6, M7, M8, M9, M10, M11, M12, M13, M14, M16, M17, M18, M19, M20, M21)	
B1141643	TRANSFORMER 208/230, 24V	

## SPECIAL PARTS

IO-355B	INSTRUCTION MANUAL
PKC-01B	PISTON KIT CHART

# Cabinet

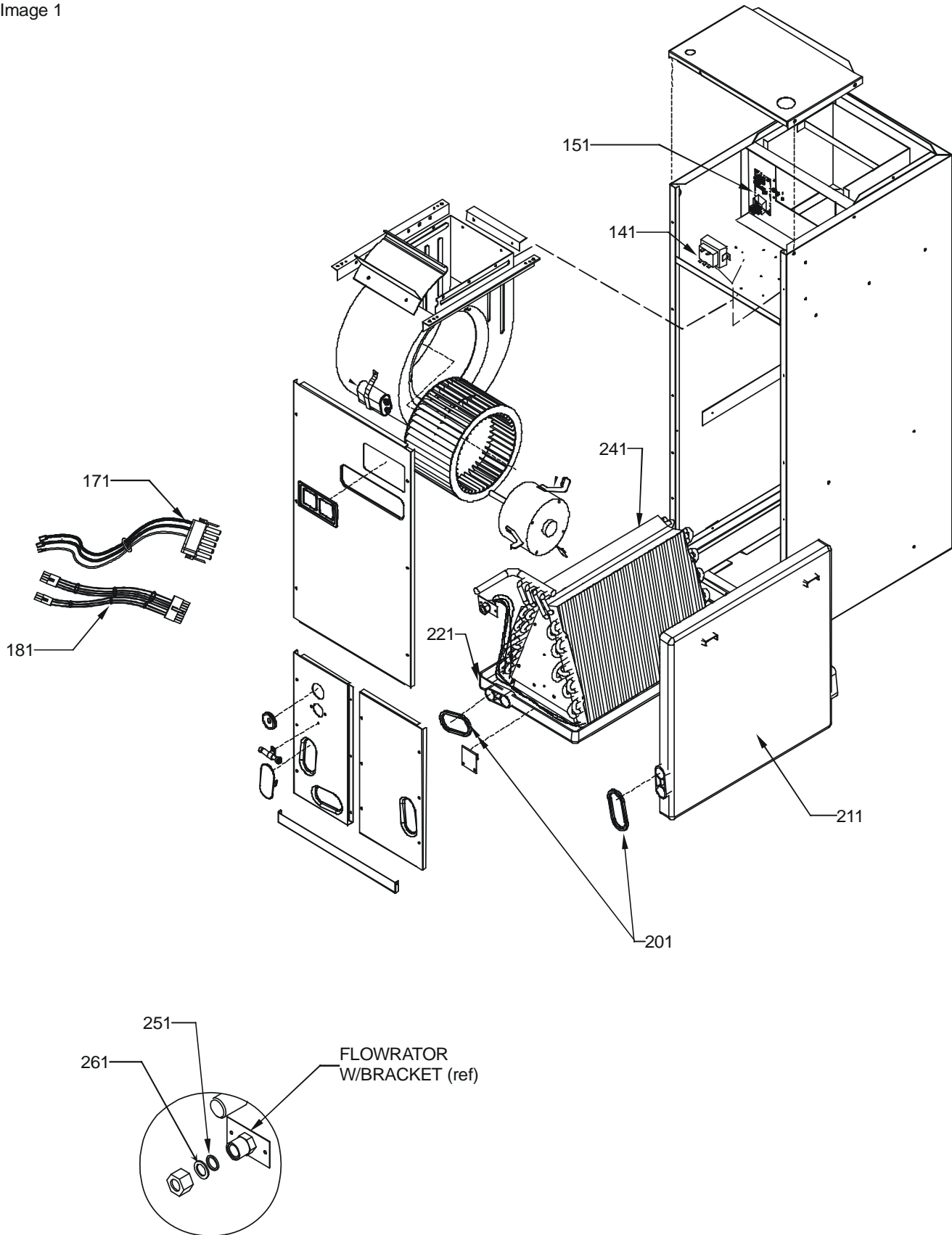


# Cabinet

Ref. Part No:	No:	Description:	Ref. Part No:	No:	Description:
<i>Image 1:</i>			Expanded Model Nomenclature		
11	1721123	WRAPPER ASSY LRG (M11, M12, M13, M14, M15, M16, M17, M18, M19, M20, M21)	M1 - ARUF172916AA		
11	1721122	WRAPPER ASSY MED (M5, M6, M7, M8, M9, M10)	M2 - ARUF172916BA		
11	1721121	WRAPPER SML (M1, M2, M3, M4)	M3 - ARUF182416AA		
21	0121A00033PDG	UPPER TIE PLATE (M5, M6, M7, M8, M9, M10)	M4 - ARUF182416BA		
21	0121A00035PDG	UPPER TIE PLATE (M11, M12, M13, M14, M15, M16, M17, M18, M19, M20, M21)	M5 - ARUF193116AA		
21	1721931PDG	UPPER TIE PLATE (M1, M2, M3, M4)	M6 - ARUF193116BA		
31	1722077PDG	LOWER ACCESS PANEL (M1, M2, M3, M4, M5, M6, M7, M8, M9, M10)	M7 - ARUF303016AA		
31	1722078PDG	LOWER ACCESS PANEL (M11, M12, M13, M14, M15, M16, M17, M18, M19, M20, M21)	M8 - ARUF303016BA		
41	1722079PDG	LOWER SERVICE PANEL (M1, M2, M3, M4)	M9 - ARUF363616AA		
41	1722080PDG	LOWER SERVICE PANEL (M5, M6, M7, M8, M9, M10)	M10 - ARUF363616BA		
41	1722081PDG	LOWER SERVICE PANEL (M11, M12, M13, M14, M15, M16, M17, M18, M19, M20, M21)	M11 - ARUF364216AA		
51	1722082PDG	UPPER ACCESS PANEL (M1, M2, M3, M4)	M12 - ARUF364216AB		
51	1722083PDG	UPPER ACCESS PANEL (M5, M6, M7, M8, M9, M10)	M13 - ARUF364216AC		
51	1722084PDG	UPPER ACCESS PANEL (M11, M12, M13, M14, M15, M16, M17, M18, M19, M20, M21)	M14 - ARUF364216BA		
61	1722085PDG	FILTER COVER (M1, M2, M3, M4)	M15 - ARUF364216CA		
61	1722087PDG	FILTER COVER LRG (M11, M12, M13, M14, M15, M16, M17, M18, M19, M20, M21)	M16 - ARUF374316AA		
61	1722086PDG	FILTER COVER MED (M5, M6, M7, M8, M9, M10)	M17 - ARUF374316BA		
101	0121A00016	BLOWER MOUNTING ANGLE (M5, M6, M11, M12)	M18 - ARUF486016AA		
101	0121A00027	BLOWER MOUNTING ANGLE (M1, M2, M3, M4, M7, M8, M9, M10, M16, M17, M18)	M19 - ARUF486016AB		
111	1717109	BLOWER MOUNTING ANGLE (M1, M2, M3, M4, M5, M6, M7, M8, M9, M10, M11, M16, M17, M18)	M20 - ARUF486016BA		
231	0210D00029	90 DEG. STUB ASSY (M15)	M21 - ARUF496116AA		
231	B1796630	INLET TUBE FLOWRATOR (M1, M2, M3, M4, M5, M6, M7, M8, M9, M10, M11, M12, M13, M14, M16, M17, M18, M19, M20, M21)			
241	B1392640	PLASTIC DRAIN COVER			
251	B1392641	PLASTIC CIRCUIT BREAKER INSERT			
NS	1721918	BOTTOM TIE LRG (M11, M12, M13, M14, M15, M16, M17, M18, M19, M20, M21)			
NS	1721917	BOTTOM TIE MED (M5, M6, M7, M8, M9, M10)			
NS	1721916	BOTTOM TIE PLATE SML (M1, M2, M3, M4)			

# Internal Components

Image 1



# Internal Components

Ref. Part No:	No:	Description:	Ref. Part No:	No:	Description:
<i>Image 1:</i>			<i>Image 1:</i>		
141	B1141643	TRANSFORMER 208/230, 24V	NS	0162D00033S	FLOWRATOR .096 (M20)
151	PCBFM131	BOARD, ELECTRONIC BLOWER TIME DELAY RELAY	Expanded Model Nomenclature		
171	0259A00001P	WIRE ASSY, 9-PIN FEMALE CONNECTOR (M1, M2, M3, M4)	<div style="border: 1px solid black; padding: 5px;"> M1 - ARUF172916AA  M2 - ARUF172916BA  M3 - ARUF182416AA  M4 - ARUF182416BA  M5 - ARUF193116AA  M6 - ARUF193116BA  M7 - ARUF303016AA  M8 - ARUF303016BA  M9 - ARUF363616AA  M10 - ARUF363616BA  M11 - ARUF364216AA  M12 - ARUF364216AB  M13 - ARUF364216AC  M14 - ARUF364216BA  M15 - ARUF364216CA  M16 - ARUF374316AA  M17 - ARUF374316BA  M18 - ARUF486016AA  M19 - ARUF486016AB  M20 - ARUF486016BA  M21 - ARUF496116AA </div>		
171	0259A00005P	WIRE ASSY, 9-PIN FEMALE CONNECTOR (M5, M6, M7, M8, M9, M10, M11, M12, M13, M14, M15, M16, M17, M18, M19, M20, M21)			
181	0259A00002P	WIRE ASSY, 9-PIN MALE CONNECTOR			
201	0154A00000BL	DRAIN PAN GASKET (QTY 2)			
211	B1756021L	PLASTIC DRAIN PAN (HORIZONTAL) (M1, M2, M3, M4)			
211	B1756022L	PLASTIC DRAIN PAN (HORIZONTAL) (M5, M6, M7, M8, M9, M10)			
211	B1756028L	PLASTIC DRAIN PAN (HORIZONTAL) (M11, M12, M13, M14, M15, M16, M17, M18, M19, M20, M21)			
221	B1756013L	PLASTIC DRAIN PAN (VERTICAL) (M1, M2, M3, M4)			
221	B1756017L	PLASTIC DRAIN PAN (VERTICAL) (M7, M8)			
221	B1756017LA	PLASTIC DRAIN PAN (VERTICAL) (M5, M6, M9, M10)			
221	B1756020L	PLASTIC DRAIN PAN (VERTICAL) (M11, M12, M13, M14, M16, M17, M18, M19, M20, M21)			
221	B1756020L	PLASTIC DRAIN PAN (VERTICAL) (M15)			
241	0202A00024S	COIL PAN ASSY (M5, M6)			
241	0202A00030S	COIL PAN ASSY (M9, M10)			
241	0270A00408	COIL PAN ASSY (M15)			
241	1262400	COIL PAN ASSY (M1, M2)			
241	1262401	COIL PAN ASSY (M3, M4)			
241	1262403	COIL PAN ASSY (M7, M8)			
241	1262404	COIL PAN ASSY (M11, M12, M13, M14)			
241	1262405	COIL PAN ASSY (M16, M17, M18, M19, M20, M21)			
251	B1796631	SEAL, TEFLON 20 IN A PACK (M1, M2, M3, M4, M5, M6, M7, M8, M9, M10, M11, M12, M13, M14, M16, M17, M18, M19, M20, M21)			
261	B1796632	ASSY, TEFLON SEAL AND NUT (M1, M2, M3, M4, M5, M6, M7, M8, M9, M10, M11, M12, M13, M14, M16, M17, M18, M19, M20, M21)			
NS	0162D00004P	FLOWRATOR .059 (M3)			
NS	0162D00028	FLOWRATOR .059 (M4)			
NS	0162D00005P	FLOWRATOR .065 (M7, M8)			
NS	B1813465B	FLOWRATOR .065 (M1, M2)			
NS	0162D00021	FLOWRATOR .068 (M5)			
NS	0162D00031	FLOWRATOR .068 (M6)			
NS	0162D00023	FLOWRATOR .074 (M9)			
NS	0162D00032S	FLOWRATOR .074 (M10)			
NS	0162A00043	FLOWRATOR .078 (M15)			
NS	0162D00006P	FLOWRATOR .078 (M11, M12, M13, M14)			
NS	0162D00020	FLOWRATOR .078 (M16)			
NS	0162D00007P	FLOWRATOR .093 (M17, M18, M19, M21)			

# Blower Components

Image 1

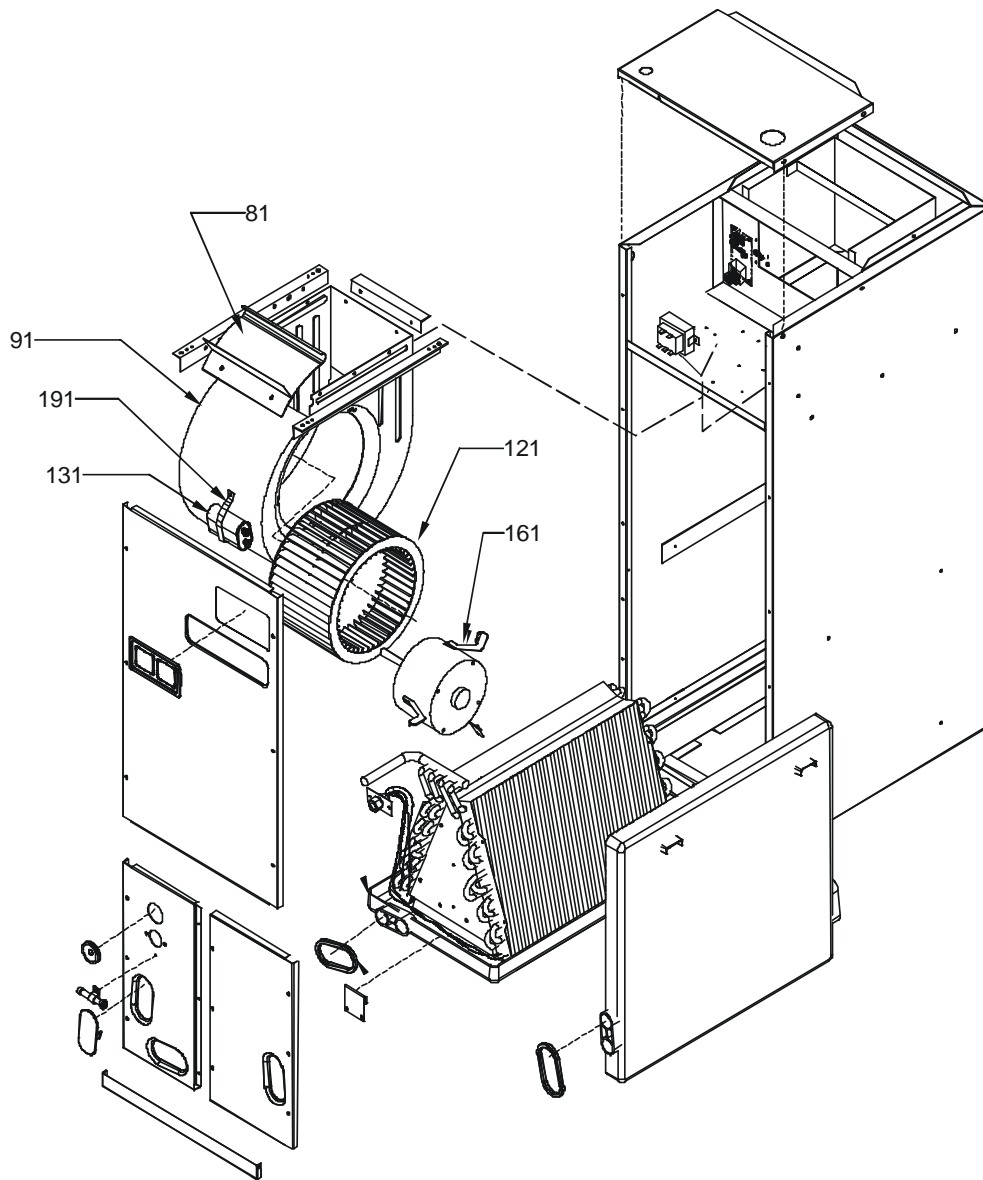
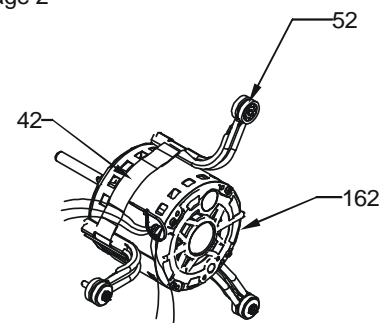


Image 2





# Blower Components

Ref. Part No:	No:	Description:	Ref. Part No:	No:	Description:
<i>Image 1:</i>			<i>Image 2:</i>		
81	764741F	BLOWER BLOCK-OFF 10 X 10 (M19, M20, M21)	NS	B1393322	MACHINE SCREW HWH 1/4-20 X 1-1/2 BZ (M11, M18)
81	764740F	BLOWER BLOCK-OFF 10 X 8 (M12, M13, M14, M15)	NS	B1393323	MACHINE SCREW HWH 1/4-20 X 1-1/2 BZ (M11, M12, M13, M14, M15, M16, M17, M18, M19, M20, M21)
81	0270A00101S	BLOWER CUT-OFF (M16, M17)	NS	B1393527	SCREW, 1/4 X 1-1/2, A, BZ, SLOT (M16, M17)
81	764734F	BLOWER CUT-OFF (M7, M8, M9, M10)	NS	M0250565	TC SCREW 1.25" (M12, M13, M14, M15, M19, M20, M21)
81	764736	BLOWER CUT-OFF 10 X 8 (M11)	<b>Expanded Model Nomenclature</b>		
81	1824004	BLOWER CUT-OFF 11 & 10 X 10 (M18)	<div style="border: 1px solid black; padding: 5px;"> M1 - ARUF172916AA  M2 - ARUF172916BA  M3 - ARUF182416AA  M4 - ARUF182416BA  M5 - ARUF193116AA  M6 - ARUF193116BA  M7 - ARUF303016AA  M8 - ARUF303016BA  M9 - ARUF363616AA  M10 - ARUF363616BA  M11 - ARUF364216AA  M12 - ARUF364216AB  M13 - ARUF364216AC  M14 - ARUF364216BA  M15 - ARUF364216CA  M16 - ARUF374316AA  M17 - ARUF374316BA  M18 - ARUF486016AA  M19 - ARUF486016AB  M20 - ARUF486016BA  M21 - ARUF496116AA </div>		
81	764733F	BLOWER CUT-OFF 9 X 6 (M1, M2, M3, M4, M5, M6)			
91	0271A00016S	BLOWER HOUSING ASSY 10 X 10 (M18, M19, M20, M21)			
91	0271A00029	BLOWER HOUSING ASSY 10 X 8 (M13, M14, M15)			
91	5660205S	BLOWER HOUSING ASSY 10 X 8 (M11)			
91	0271A00022	BLOWER HOUSING ASSY 10X8 (M12)			
91	0271A00013S	BLOWER HOUSING ASSY 11 X 10 (M16, M17)			
91	1439389S	BLOWER HOUSING ASSY 9 X 6 (M1, M2, M3, M4, M5, M6)			
91	1839304S	BLOWER HOUSING ASSY 9 X 8 (M7, M8, M9, M10)			
121	D6723306S	BLOWER WHEEL (M18, M19, M20, M21)			
121	D6723311S	BLOWER WHEEL (M16, M17)			
121	B1368016S	BLOWER WHEEL 10 X 8 (M11, M12, M13, M14, M15)			
121	0150M00000S	BLOWER WHEEL 9 X 6 (M1, M2, M3, M4)			
121	B1368042S	BLOWER WHEEL 9 X 6 (M5, M6)			
121	0150G00000P	BLOWER WHEEL 9 X 8 (M7, M8, M9, M10)			
131	CAP100000370VAS	CAPACITOR 10/370V (M1, M2, M3, M4, M5, M6, M7, M8, M9, M10)			
131	CAP150000370VAS	CAPACITOR 15/370V (M11, M12, M13, M14, M15, M16, M17, M18, M19, M20, M21)			
161	0131M00005PS	BLOWER MOTOR 1/3 HP, 3 SP, 6 PL (M1, M2, M3, M4)			
161	11091203S	BLOWER MOTOR 1/3 HP, 3 SP, 6 PL (M7, M8, M9, M10)			
161	11091207S	BLOWER MOTOR 1/4 HP, 3 SP, 8 PL (M5, M6)			
191	1284835	CAPACITOR STRAP			
NS	B821700	CAPACITOR BOOT (M11)			
NS	B1393309	MACHINE SCREW, 1/4-20 TPI X 3/4" LG (M1, M2, M3, M4, M5, M6, M7, M8, M9, M10)			
<i>Image 2:</i>					
42	0121M00038	MOTOR MOUNT BAND (M11, M12, M13, M14, M15)			
42	0121M00039	MOTOR MOUNT BAND (HEAVY DUTY) (M16, M17, M18, M19, M20, M21)			
52	B1376853	MOTOR MOUNT ARM (M11, M12, M13, M14, M15)			
52	B1376863	MOTOR MOUNT ARM (HEAVY DUTY) (M16, M17, M18, M19, M20, M21)			
162	11091204S	BLOWER MOTOR 1/2 HP, 3 SP, 8 PL (M11, M12, M13, M14, M15, M16, M17)			
162	0131M00000PS	BLOWER MOTOR 3/4 HP, 3 SP, 6 PL (M18, M19, M20, M21)			
NS	B1393800	LOCKNUT, NYLON, INSERT 1/4, 20 (M11, M12, M13, M14, M15, M16, M17, M18, M19, M20, M21)			

**THIS PAGE INTENTIONALLY LEFT BLANK**