

## Pump Specification

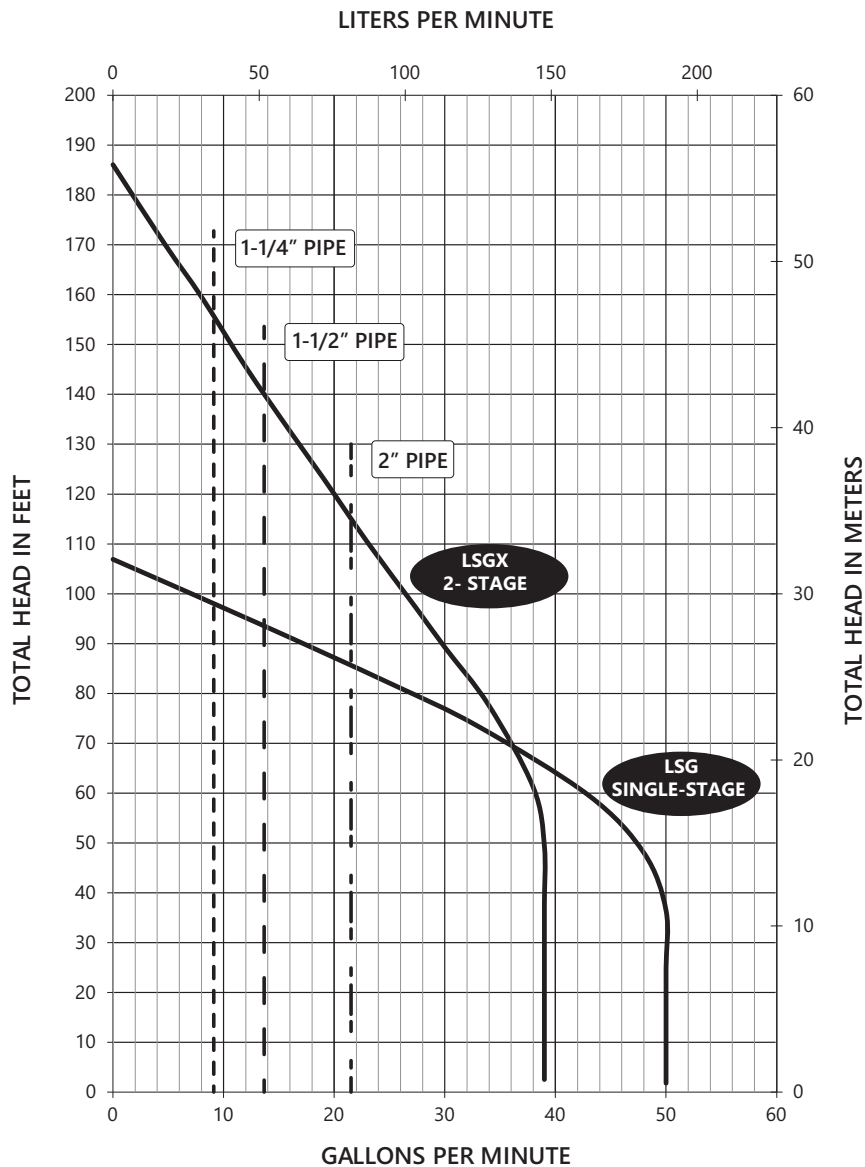
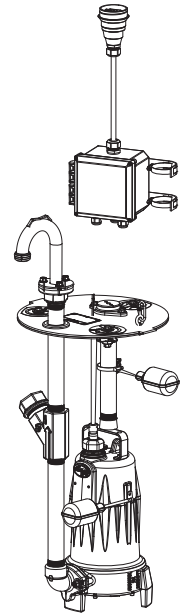
### RE/REX-Series

### Retrofit Systems for E/One® Grinder Packages

Fully Assembled with Omnivore® 2 HP Grinder

LSGX202-RE, LSG202-RE - Replaces GP200 and GP2000

LSGX202-REX, LSG202-REX - Replaces Extreme D-Series



**Note:** The 2-stage LSGX202-RE and LSGX202-REX will meet the pressure specifications of E/One Series GP200, GP2000 and Extreme Series pumps. However, these progressive cavity designs have the capability to develop higher pressure than the single-stage grinders LSG202-RE and LSG202-REX.

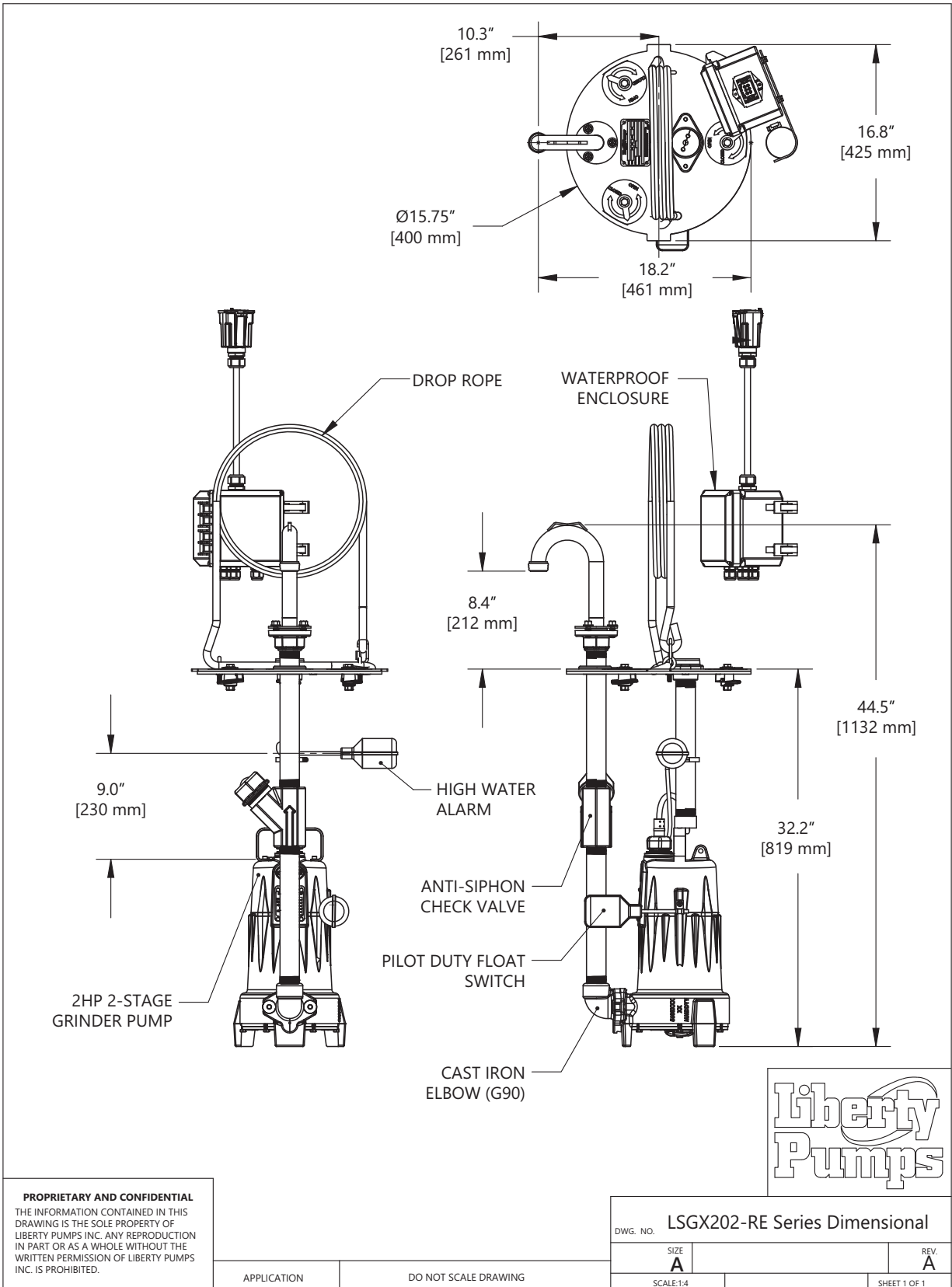
While the LSG202-RE retrofit from Liberty Pumps will work in many applications as a direct drop-in replacement for E/One, some installations may exceed its head or pressure capabilities. In these situations, be sure to specify the LSGX202-RE or LSGX202-REX 2-stage grinder pump.

#### ATTENTION

For pressure sewer applications, verify a Redundant Check Valve Assembly (curb stop and check valve) is installed between the pump discharge and the street main, as close to the public right-of-way as possible, on all installations to protect from system pressures.

E/One® is a registered trademark of Environment One Corporation

# RE/REX-Series Dimensional Data





## RE/REX-Series Electrical Data

MODEL	HP	VOLTAGE	PHASE	SF	FULL LOAD AMPS	LOCKED ROTOR AMPS	THERMAL OVERLOAD TEMP	STATOR WINDING CLASS	CORD LENGTH [FT]	DISCHARGE	AUTOMATIC
LSG202-RE	2	208/230	1	1.0	15	53	105°C 221°F	B	10	1-1/4" NPT	YES
LSGX202-RE	2	208-230	1	1.0	15	53	135°C 275°F	B	10	1-1/4" NPT	YES
LSG202-REX	2	208/230	1	1.0	15	53	105°C 221°F	B	10	1-1/4" NPT	YES
LSGX202-REX	2	208-230	1	1.0	15	53	135°C 275°F	B	10	1-1/4" NPT	YES

## RE/REX-Series Replacement Data

A Liberty Pumps Adapter Harness Kit is available to convert the RE-style connector to the REX-style connector. Kit #K001630 is sold separately.

MODEL	STAGE	6-PIN ELECTRICAL CONNECTOR STYLE		DROP-IN REPLACEMENT FOR:
LSG202-RE	1	SQUARE		GP200 GP2000
LSGX202-RE	2	SQUARE		
LSG202-REX	1	ROUND		EXTREME D-SERIES
LSGX202-REX	2	ROUND		

## RE/REX-Series Technical Data

SYSTEM	COVER	EPOXY POWDER COATED STEEL
	JUNCTION BOX	NEMA 4X
	DISCHARGE ELBOW	1-1/4" STAINLESS STEEL
	DISCHARGE PIPING	STAINLESS STEEL
	ANTI-SIPHON CHECK VALVE	HIGH TEMP NITRILE BALL POLYPROPYLENE FLOATING BALL HEAVY CAST IRON BODY
	WEIGHT	117 LBS / 53 KG
PUMP	IMPELLER	300 SERIES STAINLESS STEEL
	PAINT	POWDER COAT
	MAX LIQUID TEMP	60°C / 140°F
	MAX STATOR TEMP	LSG – 105°C / 221°F
		LSGX – 135°C / 275°F
	THERMAL OVERLOAD	LSG – 105°C / 221°F
		LSGX – 135°C / 275°F
	POWER CORD TYPE	SJOOW CORD WITH IP68 PANEL WITH TYPE TC CORD TO PRE-INSTALLED CONNECTOR FOR INTERFACE TO E/ONE UNITS
	MOTOR HOUSING	CLASS 25 CAST IRON
	VOLUTE	CLASS 25 CAST IRON
	SHAFT	300 SERIES STAINLESS STEEL
	HARDWARE	STAINLESS
	O-RINGS	BUNA-N
	MECHANICAL SEAL	UNITIZED GRAPHITE IMPREGNATED SILICON CARBIDE
MIN BEARING LIFE	50,000 HRS	
CERTIFICATIONS	SSPMA, cCSAus	

# **RE/REX-Series Specifications**

---

## **1.01 GENERAL**


The contractor shall provide labor, material, equipment, and incidentals required to provide \_\_\_\_\_ (QTY) centrifugal grinder pumps as specified herein. The pump models covered in this specification are LSG202/LSGX202-Series single-phase grinder pumps. The pump furnished for this application shall be model \_\_\_\_\_ as manufactured by Liberty Pumps.

## **2.01 OPERATING CONDITIONS**

Each submersible pump shall be rated at 2 hp, \_\_\_\_\_ volts, 1-phase, 60 Hz, 3450 RPM. The unit shall produce \_\_\_\_\_ GPM at \_\_\_\_\_ feet of total dynamic head.

The submersible pump shall be capable of handling residential and commercial sewage and grinding it to a fine slurry enabling it to be pumped over long distances in pipelines as small as 1.25" in diameter. The LSG-Series single-stage submersible pump shall have a shut-off head of 110 feet and a maximum flow of 50 GPM @ 10 feet of total dynamic head. The LSGX-Series 2-stage submersible pump shall have a shut-off head of 185 feet and a maximum flow of 38 GPM @ 10 feet of total dynamic head.

## **3.01 CONSTRUCTION**

Each centrifugal grinder pump shall be equal to the  Certified LSG/LSGX-Series Grinder pumps as manufactured by Liberty Pumps, Bergen NY. The castings shall be constructed of Class 25 cast iron. The motor housing shall be oil-filled to dissipate heat. Air-filled motors shall not be considered equal since they do not properly dissipate heat from the motor. All mating parts shall be machined and sealed with a Buna-N O-ring. All fasteners exposed to the liquid shall be stainless steel. The motor shall be protected on the top side with sealed cord entry plate with molded pins to conduct electricity eliminating the ability of water to enter internally through the cord. The motor shall be protected on the lower side with a dual seal arrangement. The first seal is a double lip seal molded in fluoroelastomer OR Buna-N. The second/main seal shall be a unitized graphite impregnated silicon carbide hard face seal with stainless steel housings and spring.

The upper and lower bearing shall be capable of handling all radial thrust loads. The lower bearing shall have the additional ability to handle the downward axial thrust produced by the impeller and cutters by design of angular contact roller races. The pump housing shall be of the concentric design thereby equalizing the pressure forces inside the housing which will extend the service life of the seals and bearings. Additionally there shall be no cutwater in the housing volute in order to discourage the entrapment of flowing debris. The pump shall be furnished with a stainless steel handle having a nitrile grip.

## **4.01 ELECTRICAL POWER CORD**

The submersible pumps shall be supplied with 10 feet of multi-conductor power cord. It shall be cord type SJOOW, capable of continued exposure to the pumped liquid. The power cord shall be sized for the rated full load amps of the pump in accordance with the National Electric Code. The power cable shall not enter the motor housing directly but will conduct electricity to the motor by means of a water tight compression fitting cord plate assembly with molded pins to conduct electricity. This will eliminate the ability of water to enter internally through the cord via a damaged or wicking cord.

## **5.01 MOTORS**

All motors shall be oil-filled and Class B insulated NEMA B design rated for continuous duty. Since air-filled motors are not capable of dissipating heat as effectively, they shall not be considered equal. At maximum load, the winding temperature shall not exceed 105°C (unsubmerged). Motors shall be capacitor start/capacitor run and have an integral thermal overload switch in the windings for protecting the motor. The capacitor circuit shall be mounted internally and motor shall have an integral solid state starting circuit switch for switching the start winding off.

## **6.01 BEARINGS AND SHAFT**

An upper radial and a lower angular contact ball bearing shall be required. The upper bearing shall be a single ball/race type bearing. The lower bearing shall be an angular contact heavy-duty ball/race type bearing, designed to handle axial grinder pump thrust loads. Both bearings shall be permanently lubricated by the oil that fills the motor housing. The bearing system shall be designed to enable proper cutter alignment from shut off head to maximum load at 10 feet of TDH. The motor shaft shall be made of 300 series stainless steel and have a minimum diameter of 0.670".

## **7.01 SEALS**

The pumps shall have a dual seal arrangement consisting of a lower and upper seal to protect the motor from the pumping liquid. The lower seal shall be a fluoroelastomer molded double lip seal, designed to exclude foreign material away from the main upper seal. The upper seal shall be a unitized graphite impregnated silicon carbide hard face seal with stainless steel housings and spring equal to Crane Type T-6a. The motor plate/housing interface shall be sealed with a Buna-N O-ring.

## **8.01 IMPELLER**

The impeller shall be an investment cast stainless steel impeller, with pump out vanes on the back shroud to keep debris away from the seal area. It shall be keyed and bolted to the motor shaft.

## **9.01 CUTTER MECHANISM**

The cutter and plate shall consist of 440 stainless steel with a Rockwell C hardness of 55–60. The stationary cutter plate shall have specially designed orifices through it, which enable the slurry to flow through the pump housing at an equalized pressure and velocity. The stationary cutter shall consist of V shapes to maximize cutting action and arc shape exclusion slots to outwardly eject debris from under the rotary cutter. The rotary cutter shall have (4) blades and be designed with a recessed area behind the cutting edge to prevent the accumulation and binding of any material between rotary cutter and the stationary cutter. The cutting system must incorporate close tolerances for optimum performance. Ring or radial cutters, or those that grind on the outside circumference, shall not be considered equal.

## **10.01 PRESSURE SEWER APPLICATIONS**

A redundant check valve assembly consisting of a curb stop and check valve must be installed between the pump discharge and the street main, as close to the public right-of-way as possible, on all pressure (force main) sewer installations to protect from system pressures. The curb stop valve is necessary to isolate the site from the pressure sewer while the check valve provides redundant protection against potentially detrimental backflow. All valves and fittings should be rated for at least 200 PSI service. See Liberty Pumps line of CSV-Series Curb Stop/Swing Check Valve Assemblies and CK-Series Connection Kit.

## **11.01 CONTROLS**

The unit is controlled by a CSA and UL approved automatic wide-angle tilt float switch. It also has an alarm float that acts as a redundant ON switch to the pump. In the event the main switch fails and the alarm is activated, the system will alarm in addition to turning the pump ON. The panel has a manual switch to test operation of the pump. This feature is maintained in the Liberty Pumps drop-in.

## **12.01 PAINT**

The exterior of the casting shall be protected with powder coat paint.

### **13.01 SUPPORT**

---

The pumps shall have cast iron support legs, enabling it to be a freestanding unit. The legs will be high enough to allow solids and long stringy debris to enter the cutter assembly.

### **14.01 SERVICEABILITY**

---

Components required for the repair of the pump shall be shipped within a period of 24 hours.

### **15.01 TESTING**

---

The pump shall have a ground continuity check and the motor chamber shall be hi-potted to test for electrical integrity, moisture content and insulation defects. The motor and volute housing shall be pressurized and an air leak decay test performed to ensure integrity of the motor housing. The pump shall be run, voltage current monitored, and checked for noise or other malfunction.

### **16.01 QUALITY CONTROL**

---

The pumps shall be manufactured in an ISO 9001 certified facility.

### **17.01 WARRANTY**

---

Standard limited warranty shall be 3 years.