

260330M – EVERYDAY TUB/SHOWERS

60 x 30 x 74 inches



FEATURES

- Tub-shower
- Smooth wall finish
- Ergonomic backrest
- Molded toiletry shelves
- Above-floor rough
- Slip-resistant textured bottom
- Left or right hand drain
- AcrylX™ applied acrylic surface
- Lifetime limited warranty

OPTIONS

- Grab bar reinforcement
- Factory installed assisted care grab bars
- Designer drain, waste & overflow
- Shower Door Series L0516

AQUATIC ADVANTAGE

- National distribution
- 6 manufacturing facilities
- Private fleet
- Centralized customer service
- Field support

COLOR OPTIONS

Stock	Upgraded	Premium
White	Almond Linen/Biscuit Bone	Black Mexican Sand Sand Bar Sterling Silver

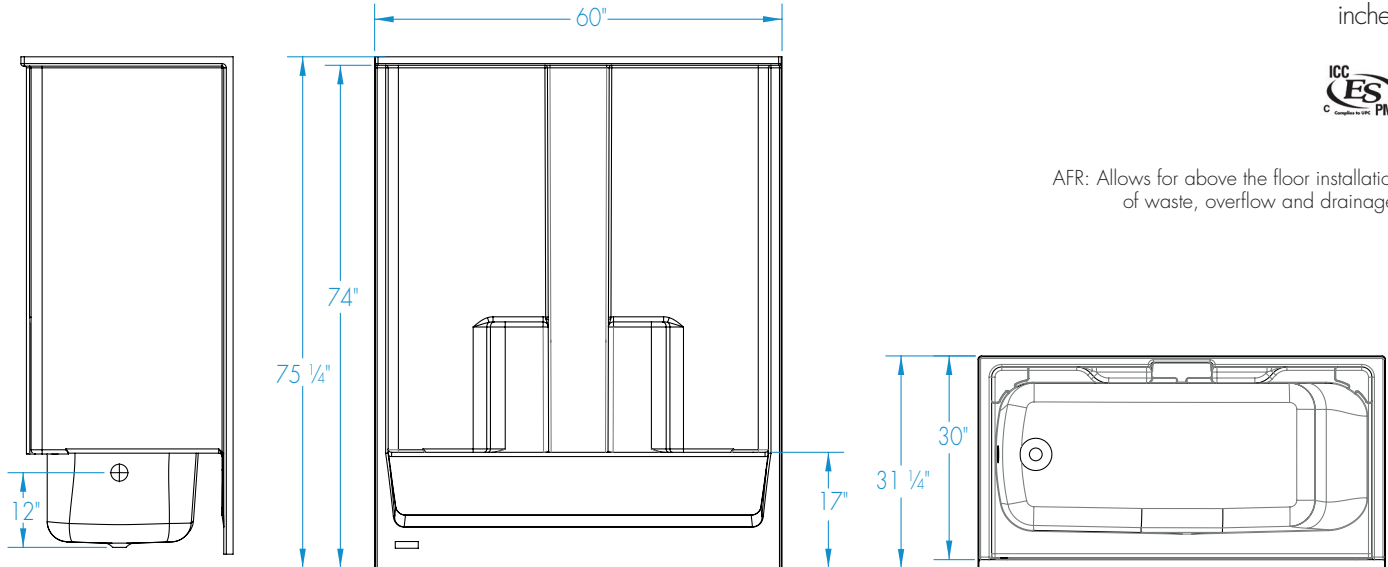


260330M

60 x 30 x 74
inches



AFR: Allows for above the floor installation of waste, overflow and drainage.



FEATURES lbs Dimensional Tolerance $\pm 3/8"$. Dimensions needed for site preparation should be measured from the unit. Aquatic assumes no responsibility for preparatory work.

Model #	Material	Wall Finish	Jets	Motor	Controls	Drain	Net Wt.	Pkg. Wt.
AFR Tub-Shower #260330M	AcrylX™	Smooth	-	-	-	LH or RH	126	131

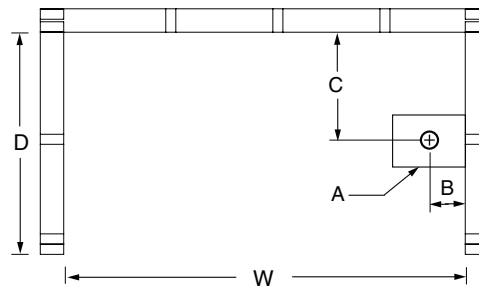
DIMENSIONS

Specifications	inches
Width: Overall / Net	60
Depth: Overall / Net	31 1/4 / 30
Height: Overall / Net	75 1/4 / 74
Enclosure Opening	56
Skirt Height	17
Drain Rough-In (from Back Wall)	14 1/2
Drain Rough-In (from Side Wall)	2
Drain: Diameter / Clearance	2 / 3

FRAMING DIMENSIONS

 inches

Type	D Depth	W Width	H Height	A	B	C
Alcove	31 1/4	60 1/8	-	Box Out	2	14 1/2



SUMP DATA

Top of Drain to Bottom of Overflow	Capacity to Overflow gal	Min. Operating Capacity gal	WIDTH @ centerline		DEPTH @ centerline	
			Top	Bottom	Top	Bottom
9 1/8	42	-	54 5/8	46 1/4	22	20 3/4