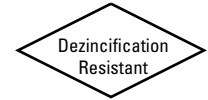


Bronze Ball Valves

Two-Piece Body • 250 Steam Rating • Full Port • 316SS Trim •
Carbon-Filled PTFE Seats • Blowout-Proof Stem • Vented Ball

600 PSI/41.4 bar non-shock cold working pressure
250 PSI/17.2 bar saturated steam*

CONFORMS TO MSS SP-110



MATERIAL LIST

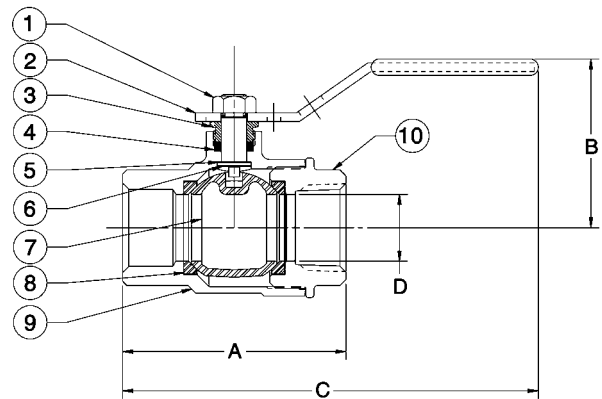
PART	SPECIFICATION
1. Handle Nut	300 Series Stainless Steel
2. Handle	Stainless Steel Plastisol Coated
3. Threaded Pack Gland	Brass ASTM B 16 Alloy C36000
4. Packing	Carbon Filled PTFE
5. Thrust Washer	Carbon Filled PTFE
6. Stem	Stainless Steel ASTM A 276 Type 316
7. Ball (Vented)	Stainless Steel ASTM A 276 Type 316 or ASTM A 351 Type CF8M
8. Seat Ring (2)	Carbon Filled PTFE
9. Body	Bronze ASTM B 61 Alloy C92200
10. Body End Piece	Bronze ASTM B 584 Alloy C84400



T-585-70-66-ST
Threaded

DIMENSIONS—WEIGHTS—QUANTITIES

Size	Dimensions					T-585-70-66-ST		Master Ctn. Qty.
	A	B	C	D	Lbs.	Kg.		
In. mm.	In. mm.	In. mm.	In. mm.	In. mm.				
½	15 2.44	62 1.88	48 5.19	132 .50	13 .64	.29	10	
¾	20 2.94	75 2.25	57 6.25	159 .75	19 1.33	.60	5	
1	25 3.34	85 2.38	61 6.44	164 1.00	25 1.79	.81	5	
1¼	32 4.19	106 3.00	76 6.75	171 1.25	32 2.17	.98	5	
1½	40 4.72	120 3.16	80 9.06	230 1.50	38 3.27	1.48	5	
2	50 5.16	131 3.50	89 9.25	235 2.00	51 5.09	2.31	2	



T-585-70-66-ST
NPT x NPT

*For detailed operating pressure, refer to pressure temperature chart on page 42.

Visit our website for the most current information.