

# TUBE INSULATOR FOR CTS PIPING

» 558 SERIES

EZGlide™

ITEM # SUBMITTED	_____
JOB NAME	_____
LOCATION	_____
ENGINEER	_____
CONTRACTOR	_____
PO#	_____ TAG _____

## SPECIFICATION

Sioux Chief 558 series Tube Insulator to be used where necessary to insulate CTS piping in residential or commercial applications. Fits 1 $\frac{3}{8}$ " hole for wood studs or 1 $\frac{1}{2}$ " hole for metal studs. Tube Insulators shall be IAPMO certified.

## INSTALLATION

Insert into wood or metal studs and mount to surface using nail or screw in both of the clamp's provided holes.

## MATERIALS

Low density polyethylene

## WORKING TEMPERATURE

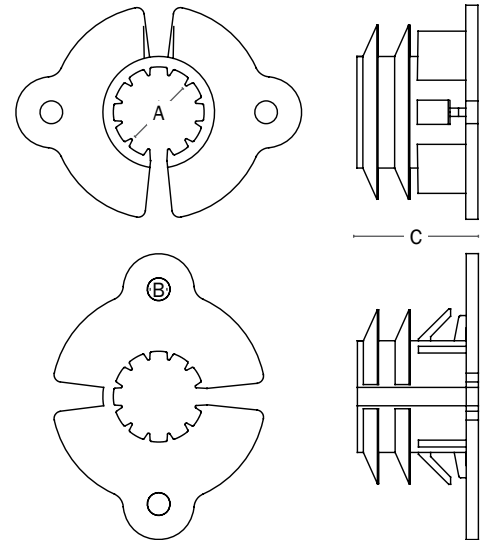
**Maximum temperature:** 180°F continuous  
impact resistant to 0°F (-18°C)

## DIMENSIONS

	558-2	558-3	558-4
<b>A:</b> Tube Size	1/2" CTS	3/4" CTS	1" CTS
<b>B:</b> Hole Diameter	0.187"	.187"	.187"
<b>C:</b> Depth	1"	1"	1"



558-2



Made in USA

Create Item Number

## 558-A

e.g. **558-3:** Tube Insulator for 3/4" CTS piping

### TUBE SIZE A

**2** = 1/2" CTS

**2PK2** = 1/2" CTS, 5/bag

**3** = 3/4" CTS

**3PK2** = 3/4" CTS, 5/bag

**4** = 1" CTS