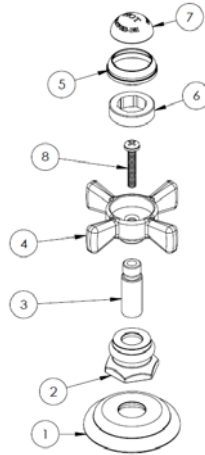
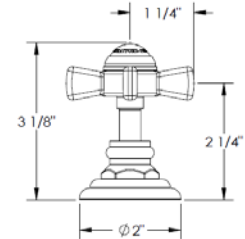


HANDLE TRIMS

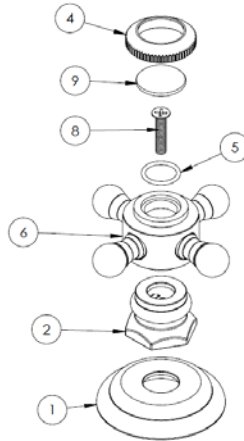
Preston (Code: S1)



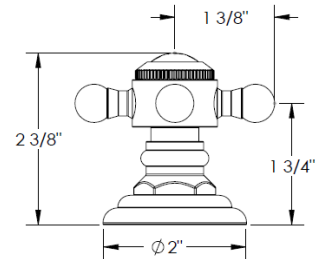
ITEM NO.	PART NUMBER	QTY.
1	S1-ESC	1
2	S1-ESC-NUT	1
3	S1-STEM	1
4	S1-HNDL-(COLD/HOT)	1
5	S1-CAP-RING	1
6	S1-CAP-ADAP	1
7	S1-PRCLN-INSRT-(PLN/COLD/HOT)	1
8	CR-PHMS 0.164-32x1x1-S	1



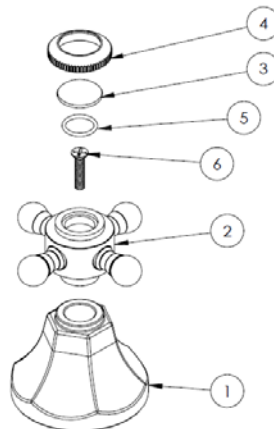
Wales (Code: V)



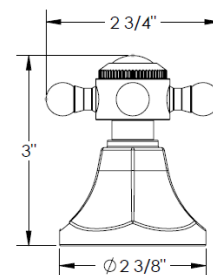
ITEM NO.	PART NUMBER	QTY.
1	S1-ESC	1
2	S1-ESC-NUT	1
4	X-CAP-RING	1
5	AS568 - 014	1
6	V-POST	1
8	CR-FHM1 0.164-32x0.75x0.75-S	1
9	X-PRCLN-INSRT-PLN	1



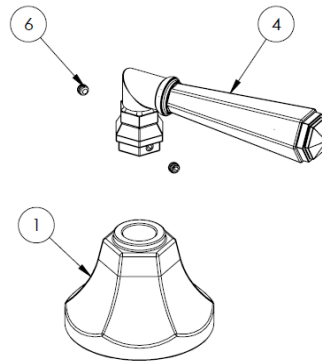
Oxford (Code: X)



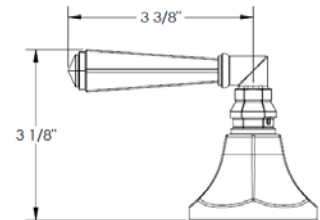
ITEM NO.	PART NUMBER	QTY.
1	X-ESC	1
2	X-POST	1
3	X-PRCLN-INSRT-(PLN/COLD/HOT)	1
4	X-CAP-RING	1
5	AS568 - 014	1
6	CR-FHMS 0.164-32x0.75x0.75-S	1



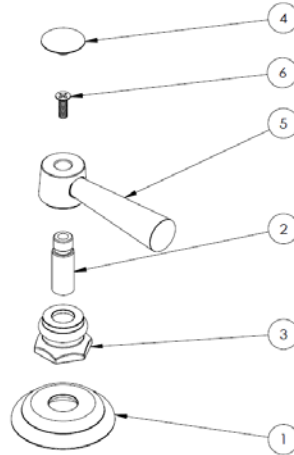
Lyons (Code: Y)



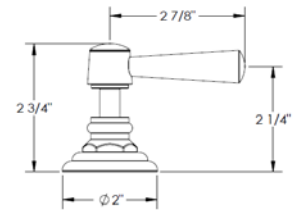
ITEM NO.	PART NUMBER	QTY.
1	X-ESC	1
4	Y-LVR-INSRT	1
6	SSCUPSKT 0.164-32x0.125-HX-S	2



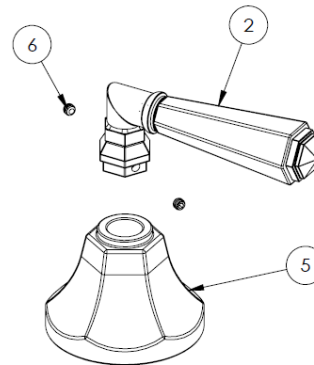
Williams (Code: Y2)



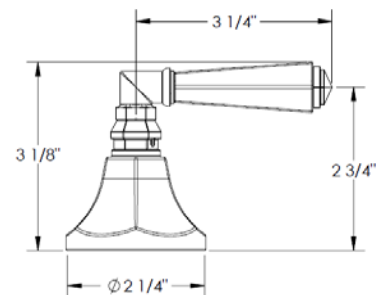
ITEM NO.	PART NUMBER	QTY.
1	S1-ESC	1
2	S1-STEM	1
3	S1-ESC-NUT	1
4	SA1-POST-CAP	1
5	SA1-LVR	1
6	CR-FHM1 0.164-32x0.5x0.5-S	1



Cambridge (Code: Z)



ITEM NO.	PART NUMBER	QTY.
2	Z-PRCLN-LVR-INSRT	1
5	X-ESC	1
6	SSCUPSKT 0.164-32x0.125-HX-S	2



Specification from Finished Wall to Tip of Broach Stem

HANDLE TRIM #	MEASUREMENT (IN.)
S1	2 1/4
V	2 1/4
X	2 3/4
Y	2 3/4
Y2	2 1/4
Z	2 3/4

Note: When fitting handle it may be necessary to shorten broach stem and/or threaded nipple to eliminate gap between handle and escutcheon

IMPORTANT INSTALLATION INFORMATION

- USE TEFLON TAPE OR PIPE SEALANT FOR THREADED CONNECTIONS
- DO NOT USE PLUMBER'S PUTTY ON ANY OF THE BRASS COMPONENTS
This will cause the finish to tarnish and void the warranty. A non-corrosive Alkoxy Silicone is recommended.
- DURING SWEATING OF LINES DO NOT OVERHEAT CASTING
Overheating may cause damage to internal mechanism
- COPPER ADAPTORS MAY BE REQUIRED TO COMPLETE YOUR INSTALLATION

For technical support, please call 718-257-2800