

Georg Fischer Central Plastics

Connector and Equipment Catalog

Piping System Solutions



The Right

CONNECTIONS

Georg Fischer Central Plastics: Not Just a Different Connection but a Connection that makes a Difference.

How do you select a business partner with the right connections? If quality, service and value are important to you—not to mention sophisticated design, engineering and manufacturing capabilities—Central is tough to beat. In short, we make the connections you need for your company and your applications.

Founded in 1955, we have long been a stable, professionally managed and forward-thinking organization. Partnering with Georg Fischer Central Plastics means you can trust us. Trust us to not just manufacture and supply reliable products for piping systems you service, but also trust us in finding the right way to meet the unique needs of your company.

The Central Advantage: Technology Meeting Your Most Demanding and Changing Challenges

The speed of the professionals in our design department is unsurpassed. Combine that with the high-volume capacity of our manufacturing facility, and you begin to understand how Central can ship even your largest order so quickly. And that's a connection you can use to your advantage in today's hurry-up marketplace.

Another way Central makes the right connection is by constantly staying abreast of new technology. If there's a better way to do something we'll either find it or invent it. Many Central processes are proprietary, a result of our employees and clients recognizing and acting on an opportunity for improvement.

Which means you'll get a solution customized to your specific application.

Everyone talks "quality," but what does it really mean? To Central, quality starts with a relentless analysis of customer need and a near obsession with precision—precision to your standards as well as our own.

Computer-aided design and computer-controlled machinery assure that the products you order are perfectly made. And that if you order more of the same, even years from now, they will be precisely the same as today's.



Our Uncompromising Quality Contributes to Your Company's Value to Your Customers

Our commitment is documented. Central earned ISO 9001 certification in 1998, testimony to years of excellence not only in product design, development and production, but also in marketing, purchasing and customer service



GEORG FISCHER
PIPING SYSTEMS

CONNECTION

from Main to Meter.

Responsive GF Central Service Before, During and After Your Order: It's Just Good Business!

At Georg Fischer Central Plastics, customer service actually starts before you're technically a customer. It starts with our listening. Top management is accessible to every client, large or small, taking the time to understand your requirements up front. Our customer service reps are more than order-takers. They're knowledgeable industry consultants and they're specially trained to answer the hard questions, talk through complex plans, and give smart answers for your unique application. And, you never have to wait for answers or action. It's the connection you need to make your problem go away.

GF Central: The Comprehensive Source for all your Piping System Connector needs.

We think about quality, service and value so you don't have to. That's why we take such pains to make sure things are done right the first time, consistently and predictably.

That's not all. Because we also help you explore new ways of doing things, you know where to turn when it's time to get something innovative done. So, if you have an interesting product idea, we would like to discuss it with you.

We create the technology to build our fittings, sell our fittings and service our fittings. Nobody else puts it together the way we do. Georg Fischer Central Plastics is the one connection you really need to make.



The Right Connection

Table of Contents

Conventional Fusion Products and Equipment.....	5
Butt Fittings: 45° Butt Elbow	12
Butt Fittings: 90° Butt Elbow	14
Butt Fittings: Butt Tee	17
Butt Fittings: Butt Reducers	20
Butt Fittings: Butt Cap	23
Butt Fittings: Purge Caps	25
Butt Fittings: Purge Points	26
Butt Fittings: Geo-Loops (U-Bends).....	26
Saddle Fittings: Service Saddles w/Butt Outlet	27
Saddle Fittings: Service Saddles w/Socket Outlet	30
Saddle Fittings: Service Saddles w/Combo Outlet	33
Saddle Fittings: Tapping Tee w/Rectangular Base and Butt Outlet	35
Saddle Fittings: Tapping Tee w/Round Base and Butt Outlet	39
Saddle Fittings: Tapping Tee w/Rectangular Base and Socket Outlet	40
Saddle Fittings: Tapping Tee w/Rectangular Base and Combo Outlet.....	42
Saddle Fittings: Tapping Tee Trainers	43
Saddle Fittings: Tapping Tee w/Stab Outlet.....	44
Saddle Fittings: Tapping Tee w/Excess Flow Valve.....	45
Saddle Fittings: High Volume Tapping Tee w/Square Base.....	46
Saddle Fittings: Cast Iron Tapping Tee w/Brass Threads	49
Saddle Fittings: Round Base Branch Saddles	50
Socket Fittings: Couplings.....	57
Socket Fittings: Elbows	58
Socket Fittings: Tees	59
Socket Fittings: Reducing Tees.....	60
Socket Fittings: Reducers.....	61
Socket Fittings: End Caps	63
Flange Adapters	64
Flange Adapters: Back-up Rings	67
MJ Adapters	68
Gasketed Adapters: Gasketed PE Adapter.....	71
Polyethylene Ball Valves: Full Port PE3408/PE4710	71
Fusion Equipment: BS-4 Fusion Kit	72
Fusion Equipment: Geo-Loop Fusion Kit.....	74
Fusion Equipment: Socket Fusion Kit	74
Fusion Equipment: Model SF3 Base Fusion Kit	75
Fusion Equipment: Aldyl-A Tap Tee Repair Kit	77
Fusion Equipment: Sidewall Fusion Equipment	77
Fusion Equipment: Depth Gages and Chamfer Tools.....	78
Fusion Equipment: Cold Rings and Fitting Holders	79
Fusion Equipment: Heating Equipment	79
Fusion Equipment: Butt and Socket Heater Plates	80
Fusion Equipment: Sidewall Heating Plates	80
Fusion Equipment: Squeeze-Off Tools	81
Fusion Equipment: 14M Butt Fusion	83
Fusion Equipment: 28CQ Butt Fusion	85
Fusion Equipment: 28HP Butt Fusion	86
Fusion Equipment: 28HP Butt Fusion	87
Fusion Equipment: 28EP Butt Fusion.....	88
Fusion Equipment: 414EP Butt Fusion.....	91
Fusion Equipment: 414SC Butt Fusion.....	92
Fusion Equipment: 620SC Butt Fusion	93
Fusion Equipment: 824EP Butt Fusion.....	94
Fusion Equipment: 1442EP Butt Fusion.....	95
Fusion Equipment: DataConnect Data Recorder	96

Table of Contents

Electrofusion Products and Equipment.....	97
Electrofusion Fittings: Couplings.....	102
Electrofusion Fittings: Large Diameter Couplings.....	104
Electrofusion Fittings: Elbows.....	105
Electrofusion Fittings: Tees.....	106
Electrofusion Fittings: Reducers.....	107
Electrofusion Fittings: End Cap Assembly.....	108
Electrofusion Fittings: Tapping Tees w/Socket Outlet.....	109
Electrofusion Fittings: Tapping Tee Trainers.....	110
Electrofusion Fittings: Tapping Tees w/Excess Flow Valve.....	111
Electrofusion Fittings: Tapping Tees w/Stab Outlet.....	112
Electrofusion Fittings: Tapping Tees (EFTT) w/Butt Outlet.....	113
Electrofusion Fittings: Branch Saddles.....	121
Electrofusion Fittings: Transition Saddles (Corp Saddles).....	127
Electrofusion Fittings: Branch Unions.....	133
Electrofusion Fittings: Gasketed Sewer Saddles.....	134
Electrofusion Fittings: WYE.....	137
Electrofusion Fittings: Flex Restraint.....	137
Electrofusion Processors.....	139
Scrapers: Pencil.....	143
Electrofusion Equipment: Calibration Mandrel/Scraper Gauge.....	143
Electrofusion Equipment: Molded Scrapers.....	144
Electrofusion Equipment: Large Diameter Scrapers.....	144
Electrofusion Equipment: Cast Rotary Scraper.....	145
Electrofusion Equipment: Machined Rotary Scrapers.....	146
Electrofusion Equipment: Coupling Clamps.....	147
Electrofusion Equipment: Reducing Clamps.....	147
Electrofusion Equipment: Clamps Kits and Liners.....	148
Electrofusion Equipment: Side Wall Clamps.....	149
Electrofusion Equipment: Tools and Accessories.....	150
Electrofusion Equipment: Re-Rounding Tool.....	150
Plastic Mechanical Fitting Products.....	151
Plastic Compression Fittings: IPS Coupling.....	154
Plastic Compression Fittings: IPS Reducing Coupling.....	154
Plastic Compression Fittings: IPS Male Adapter.....	155
Plastic Compression Fittings: IPS Equal Tee.....	156
Plastic Compression Fittings: IPS Reducing Tee.....	157
Plastic Compression Fittings: IPS Tee w/Threaded Offtake.....	158
Plastic Compression Fittings: IPS 90° Elbow.....	159
Plastic Compression Fittings: IPS End Caps.....	160
Plastic Bolt-On Saddles: Premier IPS Clamp Saddle.....	161
Plastic Bolt-On Saddles: Standard IPS Clamp Saddle.....	164
Conversion Kits: PVC.....	166
Factory Mutual (FM) Approved Products.....	167
Factory Mutual: Butt Tee.....	169
Factory Mutual: 45° Butt Elbow.....	170
Factory Mutual: 90° Butt Elbow.....	171
Factory Mutual: Butt Reducer.....	172
Factory Mutual: Butt Cap.....	173
Factory Mutual: Class 150 Flange Adapter.....	174
Factory Mutual: Class 200 Flange Adapter.....	174
Factory Mutual: IPS Back Up Rings.....	175
Factory Mutual: IPS MJ Adapter.....	176
Factory Mutual: Electrofusion Branch Saddle.....	177
Factory Mutual: Electrofusion Coupling.....	178
Factory Mutual: Thread End Transition Fittings.....	179

Table of Contents

Factory Mutual: Weld End Transition Fittings	179
Factory Mutual: Flanged Transition Fittings	180
Meter Connection Products	181
Meter Swivels: Straight Insulated	184
Meter Swivels: Female Insulated	185
Meter Swivels: Offset Insulated	186
Meter Swivels: Insulated Elbows	187
Meters Swivels: Nuts	188
Meters Swivels: Nut Plug	189
Meters Swivels: Connection Blind	189
Meter Swivels: Gaskets	190
Meter Connection Products: Insulating Unions	191
Meter Connection Products: Meter Sets	194
Meter Connection Products: Loops, Bends and Manifolds	196
Meter Connection Products: Meter Set Accessories	197
Risers and Transitions	199
Anodeless Risers: with PE2406/PE2708 Pipe	203
Risers and Transitions: Transition Risers	206
Transition Risers: with PE2406/PE2708 Pipe	208
Transition Risers with Anodes: with PE2406/PE2708 Pipe	209
Risers and Transitions: Compression Risers	210
Compression Riser with Anodes	213
Risers and Transitions: Transition Fittings Overview	214
Weld-End Transition Fittings: with PE2406/PE2708 Gas Pipe	216
Threaded External Coated Transitions:	
with PE2406/PE2708 Gas Pipe	219
Flange Transition Fittings: with PE2406/PE2708 Pipe	221
Victaulic Transition Fittings: with PE3408 Pipe	221
Risers and Transitions: Brass and Stainless Transition Fittings	222
Brass Transition Fitting	223
Stainless Steel Transition Fitting	224
Category 3 Transitions: Overview	225
Geothermal Transitions: Socket Fusion Couplings	227
Specialty Transition Fittings	228
Steel Mechanical Fittings	229
Steel Mechanical Fittings: Overview	230
Steel Mechanical Fittings: Couplings	233
Steel Mechanical Fittings: Tees	233
Steel Mechanical Fittings: Male Adapters	234
Steel Mechanical Fittings: Risers	234
Flange Insulation Products	235
Flange Connection Insulation: Overview	236
Petrolatum Coating Products	267
STAC Coating System: STACprime	269
STAC Coating System: STACfill and STACfill Lite	270
STAC Coating System: STACwrap	271
STAC Coating Systems: STACguard	272
Rod Guides	275
Waga Fittings	276
Butterfly Valves: PVC	277

Butt Fittings
Saddle Fittings
Socket Fittings
Flange Adapters
MJ Adapters
PE Ball Valves
Fusion Equipment



Conventional Fusion Products & Equipment

The Right Connection

+GF+

1-800-654-3872

1-405-273-6302

www.centralplastics.com



Conventional Fusion: General Product Information

Due to the unique material characteristics of polyethylene, heat fusion allows successful joining of pipe and fittings into a single leak-free system with no connections to corrode or loosen.

“The basic principle of heat fusion (in this case butt, saddle or socket fusion) is to heat and melt the joint surfaces and force the melted surfaces together, which causes the materials to mix and fuse into a monolithic joint.” *AWWA PE Pipe - Design and Installation, Manual of Water Supply Practices M55*

Georg Fischer Central Plastics has been actively involved in the research and development of innovative joining methods for polyethylene piping systems since the early 1960's. Recognized as an industry leader in the world of manufactured Polyethylene (PE) fittings; Georg Fischer Central Plastics offers our customers the broadest and most complete line of Butt, Saddle, and Socket fusion fittings. All designed, manufactured and tested in Shawnee, Oklahoma. under ISO 9001 standards and serviced by an experienced staff of the most knowledgeable and customer friendly professionals you could hope to find.

Bringing unrivaled knowledge, experience and manufacturing capabilities to industries throughout the world, Georg Fischer Central Plastics delivers innovative and cost effective pipe joining solutions right to your door step. Servicing the polyethylene fitting needs in natural gas, potable water, municipal wastewater, oil and gas gathering, mining, landfill, telecommunications,

geothermal, irrigation and other industries; Georg Fischer Central Plastics is helping to ensure that your conventional fusion job is done right - the first time.

With an extensive and state of the art in-house testing facility, Georg Fischer Central Plastics performs the following tests on all of our Butt, Saddle, and Socket fittings.

- ASTM D 1599 - Minimum Hydraulic Burst Pressure Test.
- ASTM D 1598 - Sustained Pressure Test Results.
- ASTM D638 Tensile Strength Test.
- PE3408/PE4710 Fittings are tested to the requirements of AWWA C906 (where applicable)
- PE3408/PE4710 FM Tested and Approved (where applicable)

Conventional Fusion: Allowable Operating Pressures

The following charts represent the **Allowable Operating Pressure** for fittings manufactured from three grades of polyethylene resin used in our products. These values represent the most common **Standard Dimension Ratios** (SDR) used in the industries that we service and are further divided based on the design factors determined by each of their related governing authorities.

- .32 for natural gas distribution systems regardless of resin used
- .50 for water applications for PE3408 resins
- .63 for water applications for PE4710 resins

} All design factors are assuming a standard operating temperature of 73°F

NOTE: For other fluids, temperatures, chemicals and environmental considerations additional design factors may be required. (i.e. Canadian gas utilities use a .40 design factor for their natural gas applications.)

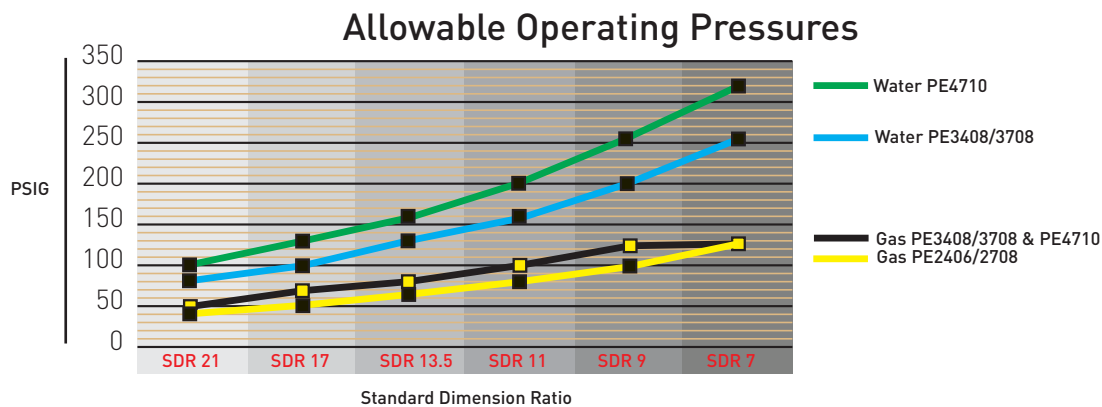
DOT Allowable Operating Pressure for Natural Gas Plastic Pipe Systems

.32 design factor @ 73°F			
SDR	PE2406/PE2708 DOT Allowable	PE3408 DOT Allowable	PE4710 DOT Allowable
21	40	50	50
17	50	64	64
13.5	64	80	80
11	80	100	100
9	100	125**	125**
7	125**	125**	125**

Allowable Operating Pressure for Municipal & Industrial Applications

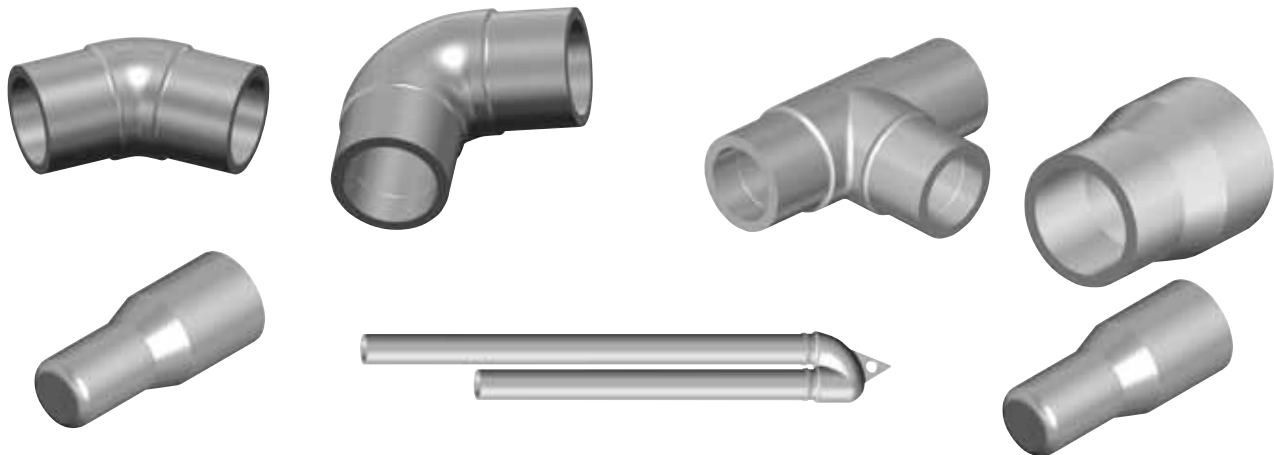
SDR	PE3408	PE4710
	.50 design factor @ 73°F	
	.63 design factor @ 73°F	
21	80	100
17	100	130
13.5	130	160
11	160	200
9	200	255
7	265	335

** DOT Regulations only allow a 125 psig max for natural gas plastic pipe systems regardless of the materials Maximum Allowable Operating Pressure (MAOP).



NOTE: Operating Pressure for Conventional Tapping Tees and Conventional Branch Saddles are determined by the material used, the outlet SDR and the governing regulations.

Conventional Fusion: Butt Fusion Fittings



GF Central's Molded PE2406/PE2708 Butt fittings are manufactured and tested to the requirements of ASTM D2513 and ASTM D3261 and are sized for use with pipe conforming to ASTM D2513 and with Butt fittings conforming to ASTM D3261. GF Central's PE2406 /PE2708 Butt fittings are molded from a virgin yellow medium density resin in accordance with the material specifications listed in ASTM D3350 with a designation of PE2406/PE2708. All Georg Fischer Central Plastics PE2406/PE2708 Butt Fittings are compatible for heat fusion with any pipe or fitting manufactured from a like or similar resin. GFCP's PE2406/PE2708 fittings have been qualified for fusion using PPI generic fusion procedures.

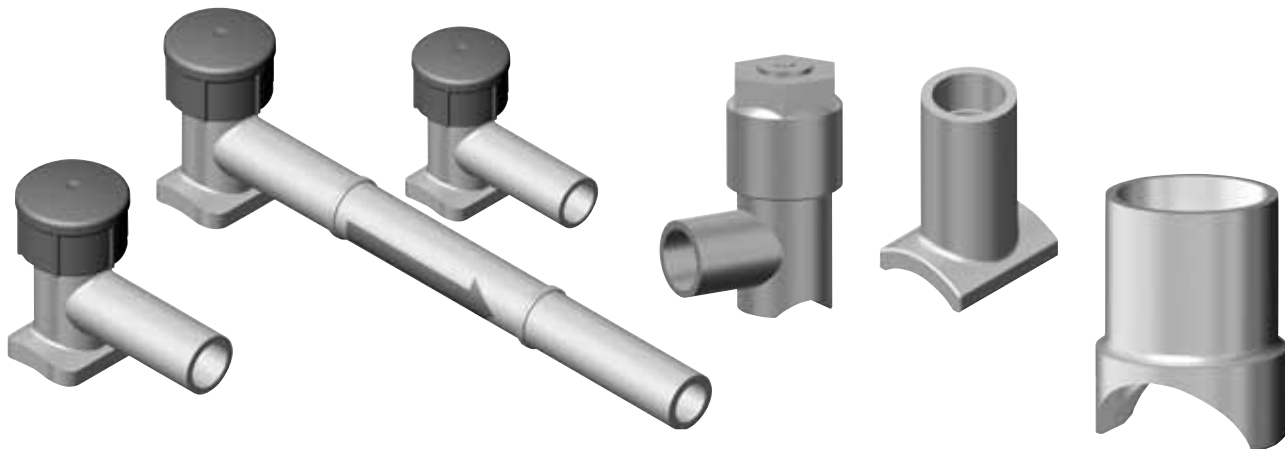
Georg Fischer Central's Molded PE3408/PE4710 Butt fittings are manufactured and tested to the requirements of ASTM D2513, ASTM D3261, and ANSI/AWWA C906 for use with outside diameter controlled pipe and fittings conforming to ASTM D2513, ASTM D3035, ASTM F-714. Georg Fischer Central's PE3408/PE4710 Butt fittings are molded from an NSF listed resin in accordance with the

material specifications listed in ASTM D3350 with a designation of PE3408/PE4710. GFCP PE3408/PE4710 Butt fittings are manufactured and tested to the requirements of ASTM D2513 and ASTM D3261 (where applicable) and are compatible for heat fusion with any pipe and or fitting manufactured from a like or similar resin. GF Central's PE3408/PE4710 fittings have been qualified for fusion using PPI generic fusion procedures.

FEATURES

- Pressure rated for natural gas and potable water applications.
- IAPMO Approved (where applicable).
- CSA Approved (where applicable).
- PE3408/PE4710 FM Approved (where applicable).
- PE3408/PE4710 fittings are tested to the requirements of AWWA C906.
- Can be joined by butt, socket, electrofusion or mechanical methods.
- Can be heat fused with all conventional and electrofusion fusion methods.

Conventional Fusion: Saddle Fusion Fittings



Georg Fischer Central's Molded PE2406/PE2708 Side-Wall Tapping Tees, Service Saddles, and Branch Saddles are manufactured and tested to the requirements of ASTM D2513 and ASTM D3261 and are sized for use with pipe conforming to ASTM D2513 and with Butt fittings conforming to ASTM D3261 as applicable. GF Central's PE2406/PE2708 Side-Wall Tapping Tees, Service Saddles and Branch Saddles are molded from a virgin yellow medium density resin in accordance with the material specifications listed in ASTM D3350. All Georg Fischer Central Plastic's PE2406/PE2708 Side-Wall Tapping Tees, Service Saddles and Branch Saddles are compatible for side-wall fusion with any pipe or fitting manufactured from a like or similar resin. Georg Fischer Central's PE2406/PE2708 fittings have been qualified for fusion using PPI generic fusion procedures.

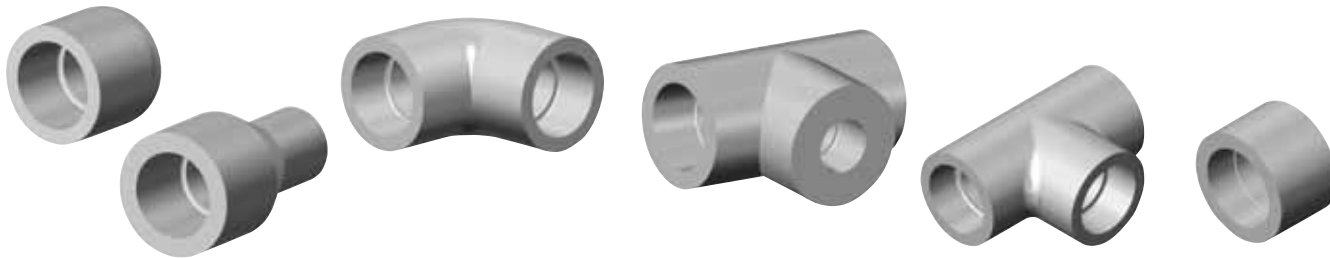
GF Central's Molded PE3408/PE4710 Side-Wall Tapping Tees, Service Saddles, and Branch Saddles are manufactured and tested to the requirements of ASTM D2513, ASTM D3261 and ANSI/AWWA C906 for use with outside diameter controlled pipe and fittings conforming to ASTM D2513, ASTM D3035, ASTM F-714 and with Butt fittings conforming to ASTM D3261. Georg Fischer Central's

PE3408/PE4710 Side-Wall Tapping Tees, Service Saddles and Branch Saddles are molded from an NSF listed resin in accordance with the material specifications listed in ASTM D3350. All GF Central Plastic's PE3408/PE4710 Side-Wall Tapping Tees, Service Saddles, and Branch Saddles are manufactured and tested to the requirements of ASTM D2513 and ASTM D3261 (where applicable) and are compatible for side-wall fusion with any pipe and or fitting manufactured from a like or similar resin. Georg Fischer Central's PE3408/PE4710 fittings have been qualified for fusion using PPI generic fusion procedures.

AVAILABLE FEATURES

- Pressure rated for natural gas and potable water applications.
- IAPMO Approved (where applicable).
- CSA Approved (where applicable).
- PE3408/PE4710 are tested to the requirements of AWWA C906.
- Can be heat fused to pipe wall using conventional side-wall fusion methods.
- Outlets can be heat fused using conventional and electrofusion fusion methods.

Conventional Fusion: Socket Fusion Fittings



Georg Fischer Central's Molded PE2406/PE2708 Socket Fusion fittings are manufactured and tested to the requirements of ASTM D2513 and ASTM D2683 and are sized for use with pipe conforming to ASTM D2513. GF Central's PE2406/PE2708 Socket fittings are molded from a virgin yellow medium density resin in accordance with the material specifications listed in ASTM D3350. All Georg Fischer Central Plastic's PE2406/PE2708 Socket Fusion Fittings are compatible for heat fusion with any pipe or fitting manufactured from a like or similar resin. Georg Fischer Central's PE2406/PE2708 fittings have been qualified for fusion using ASTM D2657 generic fusion procedures.

Georg Fischer Central's Molded PE3408/PE4710 Socket Fusion fittings are fully manufactured and tested to the requirements of ASTM D2513 and ASTM D2683 and are manufactured for use with outside diameter controlled

pipe and fittings conforming to ASTM D2513 and ASTM F-714. GF Central's PE3408/PE4710 Socket fittings are molded from a virgin black high density resin in accordance with the material specifications listed in ASTM D3350. All GF Central Plastic's PE3408/PE4710 Fusion fittings are manufactured and tested to the requirements of ASTM D2513 and ASTM D2683 and are compatible for heat fusion with any pipe and or fitting manufactured from a like or similar resin. GF Central's PE3408/PE4710 fittings have been qualified for fusion using ASTM D2657 generic fusion procedures.

AVAILABLE FEATURES

- Pressure ratings up to SDR7 on most sizes.
- IAPMO Approved (where applicable).
- CSA Approved (where applicable).
- Can be used with all socket fusion methods.

Conventional Fusion: PE Adapters



Flange Adapter



MJ Adapter



Gasketed Adapter

Georg Fischer Central's PE3408/PE4710 Flange Adapters and MJ Adapters are manufactured and tested to the requirements of ASTM D3261 and ASTM D3261 and ANSI/AWWA C906 for use with pipe conforming to ASTM D2513/3035, F-714 and with Butt fittings conforming to ASTM D3261 as applicable. Georg Fischer Central's PE3408/PE4710 Flange Adapters and MJ Adapters are molded from an NSF listed resin in accordance with the material specifications listed in ASTM D3350. All GF Central Plastic's PE3408/PE4710 Flange Adapters and MJ Adapters are compatible for heat fusion with any pipe or fitting manufactured from a like or similar resin.

FEATURES

- Pressure rated for municipal and trial applications.
- PE3408/PE4710 FM Approved (where applicable).
- PE3408/PE4710 fittings are tested to the requirements of AWWA C906.
- Can be heat fused using conventional and electrofusion fusion methods.
- Can be beveled for butterfly valves when requested.
- MJ Adapters can be provided with stiffeners when requested.

Conventional Fusion: General Equipment Information

Georg Fischer Central Plastics has been a manufacturer of polyethylene fusion equipment since the early days of plastic product development and to this day we continue to manufacture a line of quality fusion equipment. Our equipment includes:

BS-4 BUTT FUSION MACHINE – capable of butt fusing ½” thru 4” pipe and fittings. This compact machine is manufactured using structural aluminum castings for stability, yet is still light weight - ONLY 34 POUNDS. Extra wide grooved pipe clamps and liners help to assure alignment on coiled and out-of-round pipe. The precision ground guide bars are in the center line of pipe to maintain equal load balance and proper alignment. Clamp knobs are stainless steel with thrust bearings. A pressure control knob allows operator to lock position during cooling time for better joint integrity.

BS-4 ELECTRIC TRIMMER with adjustable trimming stops. The chain driven 110 or 220 volt BS-4 Electric Trimmer utilizes a 1/2 hp, 620 watt, 5.63 amp motor. The main spindle turns on sealed ball bearings for longer life. Trimmer blades are made of hardened stainless steel for longer wear, better edge and rust free operation.

MANUAL TRIMMER – is typically used in conjunction with the Central Gas Fired Heating Tool and allows quality fusion in remote areas. The manual trimmer can be used in lieu of electric trimmer.

BUTT, SOCKET AND SADDLE HEATING TOOLS

- Versatile heating tools capable of Socket, Saddle or Butt Fusion
- Interchangeable Heater Faces – Heating tools are interchangeable with most conventional heater faces currently in the field.

- Central Quality – GF Central’s heater face coating is designed to provide durability and long wear.
- Portable – Lightweight for easy handling.
- Recessed Thermometer – Easy to read dial thermometer recessed in the handle.
- Gas Fired Tools – Economical tools for quick line repairs. No generator is required – simply heat desired temperature with a conventional gas torch.

AVAILABLE FUSION EQUIPMENT ACCESSORIES

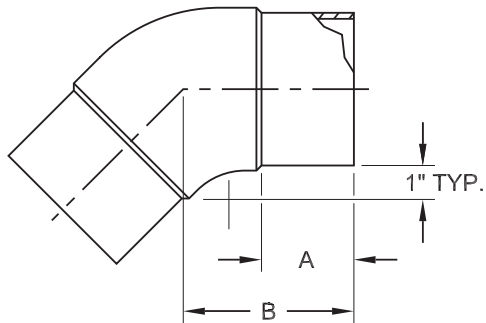
- Butt Fusion Heater Faces
- Socket Heater Faces
- Tapping Tee Faces
- High-Volume Multi-Saddle Faces
- Branch Saddle Faces
- BS-4 Butt Fusion Machine Liner Kits
- Special Liner Kits
- Socket Fusion Depth Gauges
- Socket Fusion Cold Rings
- Socket Fusion Fitting Holders
- Socket Fusion Chamfer Tools
- Squeeze-Off Tools

On March 8, 2007, GF Central Plastics officially expanded the breadth of our fusion equipment product offering through the acquisition of

Georg Fischer Connectra LLC

The inclusion of Connectra fusion products will now allow Georg Fischer Central Plastics to offer a more comprehensive line of fusion equipment with Butt Fusion capabilities up to 42”.

Butt Fittings: 45° Butt Elbow



45° IPS ELBOW DIMENSIONS

Nominal Size	A	B	L
3" IPS	3.13	5.00	*
4" IPS	3.00	5.00	*
6" IPS	4.38	7.00	*
8" IPS	6.00	11.00	*
10" IPS	6.00	13.25	*
12" IPS	7.50	15.75	*

Call for availability of other sizes and dimensions.

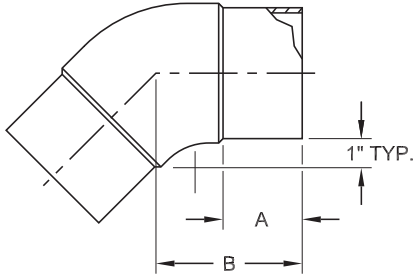
(PE2406/PE2708) 45° IPS BUTT ELBOWS

Size	SDR	Part Number	Pack. Qty.	Wt.	CSA
3" IPS	DR 11/11.5	6910559	10	1.79	-
4" IPS	DR 13.5	6911526	10	2.52	-
4" IPS	DR 11/11.5	6911483	10	2.67	YES
6" IPS	DR 13.5	6910456	10	6.50	-
6" IPS	DR 11/11.5	691060625000	2	7.15	YES
8" IPS	DR 13.5	6910568	2	18.40	YES
8" IPS	DR 11/11.5	6910482	2	20.23	YES
10" IPS	DR 13.5	6910964	1	36.50	-
10" IPS	DR 11	6910954	1	36.50	-
12" IPS	DR 13.5	6910967	1	61.50	-
12" IPS	DR 11	6910960	1	61.50	-

(PE3408/PE4710) 45° IPS BUTT ELBOWS

Size	SDR	Part Number	Pack. Qty.	Wt.	AWWA
2" IPS	DR 7	10007359	10	1.33	YES
3" IPS	DR 17	10004085	10	1.57	YES
3" IPS	DR 11	10002941	10	1.80	YES
3" IPS	DR 9/9.3	10004087	10	1.62	YES
3" IPS	DR 7	10007360	10	2.97	YES
4" IPS	DR 17	10004091	10	2.64	YES
4" IPS	DR 11	10002942	10	2.90	YES
4" IPS	DR 9/9.3	10004094	10	2.79	YES
4" IPS	DR 7	10007361	10	3.03	YES
6" IPS	DR 17	10004098	2	7.43	YES
6" IPS	DR 11	10002943	2	7.09	YES
6" IPS	DR 9	10004101	2	7.14	YES
6" IPS	DR 7	10007362	2	11.74	YES
8" IPS	DR 17	10004106	2	19.60	YES
8" IPS	DR 11	10002944	2	20.90	YES
8" IPS	DR 9	10004107	2	19.90	YES
10" IPS	DR 17	10004073	1	38.00	YES
10" IPS	DR 11	10004070	1	41.50	YES
10" IPS	DR 9	10004074	1	47.50	YES
12" IPS	DR 17	10004082	1	60.00	YES
12" IPS	DR 11	10004078	1	64.00	YES
12" IPS	DR 9	10004083	1	67.50	YES

Butt Fittings: 45° Butt Elbow (DIPS)



45° DIPS ELBOW DIMENSIONS

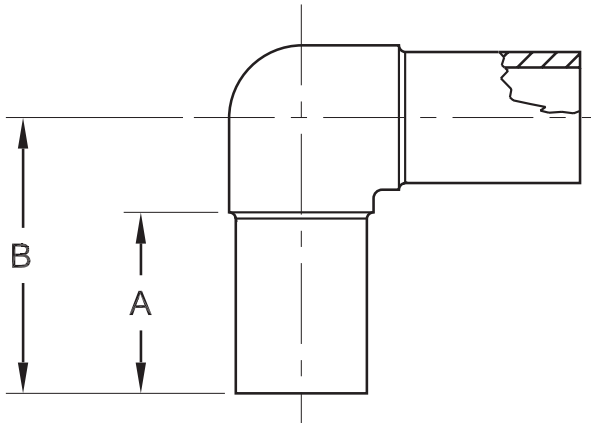
Nominal Size	A	B	L
4" DIPS	4.10	6.05	*
6" DIPS	5.10	7.16	*
8" DIPS	5.17	8.32	*
10" DIPS	6.00	13.25	*
12" DIPS	7.50	15.88	*

(PE3408/PE4710) 45° DIPS BUTT ELBOWS

Size	SDR	Part Number	Pack. Qty.	Wt.	AWWA
4" DIPS	DR 17	call	-	-	-
4" DIPS	DR 11	10004088	10	3.45	YES
4" DIPS	DR 9	call	-	-	-
6" DIPS	DR 17	call	-	-	-
6" DIPS	DR 11	10004095	2	8.88	YES
6" DIPS	DR 9	call	-	-	-
8" DIPS	DR 17	call	-	-	-
8" DIPS	DR 11	10004103	2	14.60	YES
8" DIPS	DR 9	call	-	-	-
10" DIPS	DR 17	call	-	-	-
10" DIPS	DR 11	10004069	1	43.00	YES
10" DIPS	DR 9	call	-	-	-
12" DIPS	DR 17	call	-	-	-
12" DIPS	DR 11	10004076	1	68.00	YES
12" DIPS	DR 9	call	-	-	-

Call for availability of other sizes and dimensions.

Butt Fittings: 90° Butt Elbow



90° CTS & IPS ELBOW DIMENSIONS

Nominal Size	A	B	L
¾" IPS	2.63	4.00	*
1" CTS	2.25	3.69	*
1" IPS	2.63	4.00	*
1¼" IPS	2.63	4.00	*
1½" IPS	2.63	4.00	*
2" IPS	2.81	4.50	*
3" IPS	3.00	5.13	*
4" IPS	3.00	5.75	*
6" IPS	4.38	9.00	*
8" IPS	6.00	12.00	*
10" IPS	6.00	13.25	*
12" IPS	7.50	15.88	*

(PE 2406/PE2708) 90° CTS & IPS BUTT ELBOWS

Size	SDR	Part Number	Pack Qty.	Wt.	CSA	IAPMO
¾" IPS	DR 11	6916262	100	0.09	YES	-
¾" IPS	DR 9.3	6910068	100	0.14	YES	YES
1" CTS	0.101 WALL	6912014	100	0.13	-	-
1" IPS	DR 11	6911354	50	0.13	YES	-
1" IPS	DR 9.3	6910067	100	0.19	-	-
1¼" IPS	DR 9.3	6910056	40	0.29	YES	YES
1½" IPS	DR 11	6911356	10	0.34	YES	-
1½" IPS	DR 9.3	6910265	10	0.39	-	YES
2" IPS	DR 11	6912133	8	0.68	YES	YES
3" IPS	DR 11/11.5	6911433	10	1.64	YES	YES
4" IPS	DR 13.5	6911424	10	3.07	-	-
4" IPS	DR 11/11.5	6912158	1	3.11	-	-
6" IPS	DR 13.5	6910455	1	10.00	-	-
6" IPS	DR 11/11.5	691060623000	1	10.00	YES	YES
6" IPS	DR 11/11.5	10009792	1	10.00	-	-
8" IPS	DR 13.5	6910499	1	20.90	YES	-
8" IPS	DR 11.5/11.5	6910480	1	20.90	YES	-
10" IPS	DR 13.5	6910963	1	34.00	-	-
10" IPS	DR 11	6910952	1	36.50	-	-
12" IPS	DR 13.5	6910966	1	55.50	-	-
12" IPS	DR 11	6910958	1	57.30	-	-

Butt Fittings: 90° Butt Elbow

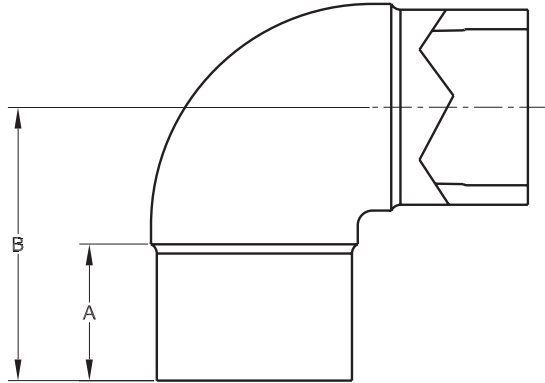


(PE3408/PE4710) 90° IPS BUTT ELBOWS

Size	SDR	Part Number	Pack Qty.	Wt.	AWWA
¾" IPS	DR 11	10004109	100	0.15	YES
¾" IPS	DR 9.3	10004110	100	0.15	YES
1" IPS	DR 11	10004111	100	0.14	YES
1" IPS	DR 9.3	10003813	100	0.19	YES
1¼" IPS	DR 11	10002945	100	0.26	YES
1¼" IPS	DR 9.3	10004112	100	0.29	YES
1½" IPS	DR 11	10004113	40	0.34	YES
1½" IPS	DR 9.3	10004114	80	0.37	YES
2" IPS	DR 17	10004130	10	0.59	YES
2" IPS	DR 11	10002946	10	0.74	YES
2" IPS	DR 9/9.3	10004131	10	0.66	YES
2" IPS	DR 7	10007363		0.89	YES
3" IPS	DR 17	10008763	10	1.54	YES
3" IPS	DR 11	10007745	10	1.75	YES
3" IPS	DR 9/9.3	10004133	10	1.67	YES
3" IPS	DR 7	10007364	10	2.35	YES
4" IPS	DR 17	10003465	10	3.15	YES
4" IPS	DR 11	10001630	10	3.61	YES
4" IPS	DR 9/9.3	10004137	10	3.12	YES
4" IPS	DR 7	10007365	10	3.97	YES
6" IPS	DR 17	10008764	2	9.96	YES
6" IPS	DR 11	10007785	2	9.76	YES
6" IPS	DR 9/9.3	10004148	2	9.37	YES
6" IPS	DR 7	10007366	2	12.87	YES
8" IPS	DR 17	10008766	2	21.10	YES
8" IPS	DR 11	10007788	2	21.40	YES
8" IPS	DR 9	10004155	2	20.20	YES
10" IPS	DR 17	10004119	1	33.00	YES
10" IPS	DR 11	10004116	1	35.80	YES
10" IPS	DR 9	10004121	1	43.50	YES
12" IPS	DR 17	10004127	1	56.50	YES
12" IPS	DR 11	10003853	1	59.70	YES
12" IPS	DR 9	10003928	1	71.00	YES

Call for availability of other sizes and dimensions.

Butt Fittings: 90° Butt Elbow (DIPS)



90° DIPS ELBOW DIMENSIONS

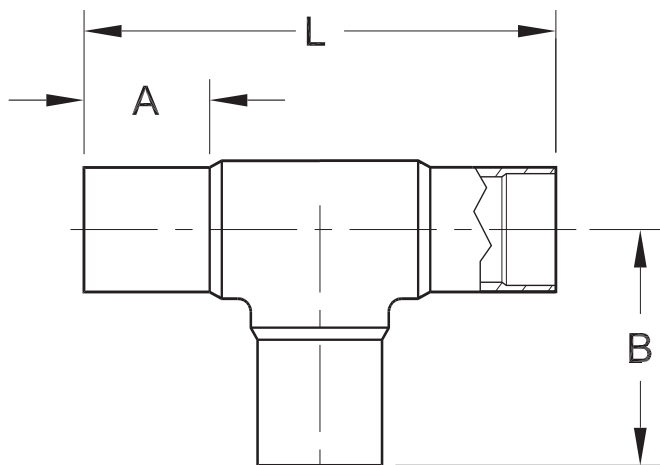
Nominal Size	A	B	L
4" DIPS	4.10	7.82	*
6" DIPS	5.10	9.67	*
8" DIPS	5.17	11.58	*
10" DIPS	6.00	13.25	*
12" DIPS	7.50	15.88	*

(PE3408/PE4710) 90° DIPS BUTT ELBOWS

Size	SDR	Part Number	Pack Qty.	Wt.	AWWA
4" DIPS	DR 17	call	-	-	YES
4" DIPS	DR 11	10004134	10	4.30	YES
4" DIPS	DR 9	call	-	-	-
6" DIPS	DR 17	10004140	2	10.50	YES
6" DIPS	DR 11	10004139	2	10.50	YES
6" DIPS	DR 9	call	-	-	-
8" DIPS	DR 17	10004150	-	-	YES
8" DIPS	DR 11	10004149	2	19.40	YES
8" DIPS	DR 9	call	2	21.00	YES
10" DIPS	DR 17	call	-	-	-
10" DIPS	DR 11	10004115	1	39.00	YES
10" DIPS	DR 9	call	-	-	-
12" DIPS	DR 17	call	-	-	-
12" DIPS	DR 11	10004123	1	62.50	YES
12" DIPS	DR 9	call	-	-	-

Call for availability of other sizes and dimensions.

Butt Fittings: Butt Tee



CTS & IPS BUTT TEE DIMENSIONS

Nominal Size	A	B	L
3/4" CTS	1.75	2.85	5.70
3/4" IPS	1.75	3.06	6.12
1" CTS	2.25	3.62	7.25
1" IPS	1.75	3.19	6.38
1 1/4" IPS	1.88	3.38	6.76
1 1/2" IPS	2.30	4.25	8.50
2" IPS	2.54	4.61	9.28
3" IPS	2.90	5.13	10.26
4" IPS	2.90	5.60	11.20
6" IPS	4.38	9.00	18.00
8" IPS	6.00	12.00	24.00
10" IPS	6.00	13.25	26.50
10" IPS	6.00	13.25	26.50
12" IPS	7.50	15.88	31.75

Call for availability of other sizes and dimensions.

(PE 2406/PE2708) CTS & IPS BUTT TEES

Size	SDR	Part Number	Pack Qty.	Wt.	CSA	IAPMO
1/2" CTS	.090 WALL	6911493	100	0.04	YES	-
3/4" CTS	.090 WALL	6912139	100	0.12	-	-
3/4" IPS	DR 11	6910216	100	0.00	YES	-
1" CTS	0.101 WALL	6911790	50	0.16	-	-
1" IPS	DR 11	6910217	100	0.20	YES	-
1 1/4" IPS	DR 10	6910215	50	0.41	-	-
1 1/2" IPS	DR 11	6910226	40	0.49	YES	-
2" IPS	DR 11	6912135	10	0.88	YES	YES
3" IPS	DR 11/11.5	6911434	10	2.15	YES	YES
4" IPS	DR 13.5	6911441	8	3.50	-	-
4" IPS	DR 11/11.5	6912160	10	4.46	YES	YES
6" IPS	DR 13.5	6910454	1	13.70	-	-
6" IPS	DR 11/11.5	691060624000	1	13.80	YES	YES
8" IPS	DR 13.5	6910569	1	29.30	YES	-
8" IPS	DR 11/11.5	6910476	1	30.30	YES	-
10" IPS	DR 13.5	6910962	1	49.50	-	-
10" IPS	DR 11	6910950	1	51.50	-	-
12" IPS	DR 13.5	6910965	1	81.00	-	-
12" IPS	DR 11	6910956	1	81.00	-	-

Butt Fittings: Butt Tee

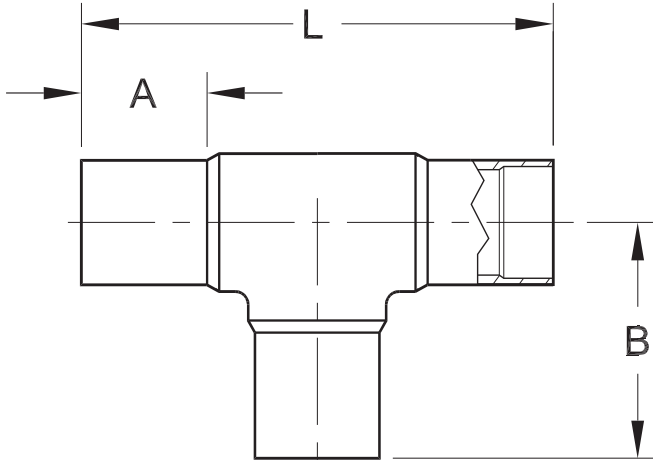


(PE3408/PE4710) CTS & IPS BUTT TEES

Size	SDR	Part Number	Pack Qty.	Wt.	AWWA
½" CTS	.090 WALL	10004229	100	0.08	YES
¾" IPS	DR 11	10003969	100	0.13	YES
1" CTS	.101 WALL	10002906	50	0.18	-
1" IPS	DR 11	10003838	100	0.19	YES
1¼" IPS	DR 11	10003815	50	0.42	YES
1½" IPS	DR 11	10004230	40	0.49	YES
1½" IPS	DR 9.3	10003931	40	0.49	YES
2" IPS	DR 11	10002956	10	0.99	YES
2" IPS	DR 9.3/9.3	10004250	10	0.91	YES
2" IPS	DR 7	10007367	10	1.15	YES
3" IPS	DR 17	10008631	10	2.01	YES
3" IPS	DR 11	10007746	10	2.30	YES
3" IPS	DR 9/9.3	10004253	10	2.31	YES
3" IPS	DR 7	10007368	10	3.05	YES
4" IPS	DR 17	10003478	8	4.50	YES
4" IPS	DR 11	10000853	8	4.50	YES
4" IPS	DR 9	10002073	10	5.40	YES
4" IPS	DR 7	10007369	10	5.18	YES
6" IPS	DR 17	10008765	1	13.50	YES
6" IPS	DR 11	10007787	1	14.13	YES
6" IPS	DR 9	10004263	1	15.10	YES
6" IPS	DR 7	10007370	1	16.96	YES
8" IPS	DR 17	10008767	1	29.90	YES
8" IPS	DR 11	10007789	1	30.51	YES
8" IPS	DR 9	10004273	1	28.00	YES
10" IPS	DR 17	10004237	1	46.50	YES
10" IPS	DR 11	10004233	1	56.50	YES
10" IPS	DR 9	10004238	1	59.00	YES
12" IPS	DR 17	10004246	1	74.50	YES
12" IPS	DR 11	10004242	1	79.30	YES
12" IPS	DR 9	10004247	1	82.30	YES

Call for availability of other sizes and dimensions.

Butt Fittings: Butt Tee (DIPS)



DIPS BUTT TEE DIMENSIONS

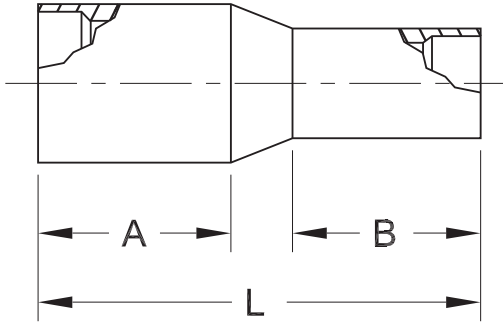
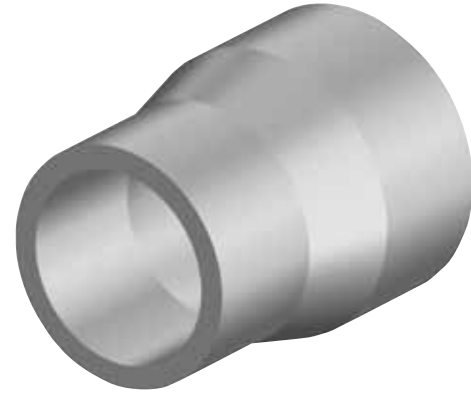
Nominal Size	A	B	L
4" DIPS	4.10	7.85	15.63
6" DIPS	5.10	9.67	19.34
8" DIPS	5.17	11.58	23.15
10" DIPS	6.00	13.25	26.50
12" DIPS	7.50	15.88	31.76

(PE3408/PE4710) DIPS BUTT TEES

Size	SDR	Part Number	Pack Qty.	Wt.	AWWA
4" DIPS	DR 17	call	-	-	YES
4" DIPS	DR 11	10004254	5	6.20	YES
4" DIPS	DR 9	call	-	-	YES
6" DIPS	DR 17	10004258	1	15.15	YES
6" IPS	DR 11	10004257	1	15.19	YES
6" DIPS	DR 9	call	-	-	YES
8" DIPS	DR 17	10004267	1	27.70	YES
8" DIPS	DR 11	10004266	1	30.00	YES
8" DIPS	DR 9	call	-	-	YES
10" DIPS	DR 17	call	-	-	YES
10" DIPS	DR 11	10004232	-	53.98	YES
10" DIPS	DR 9	call	-	-	YES
12" DIPS	DR 17	call	-	-	YES
12" DIPS	DR 11	10004240	1	88.00	YES
12" DIPS	DR 9	call	-	-	YES

Call for availability of other sizes and dimensions.

Butt Fittings: Butt Reducers



CTS BUTT REDUCER DIMENSIONS

Nominal Size	A	B	L
1" CTS × ½" CTS	1.79	2.00	4.00
1" IPS × ½" CTS	1.44	1.80	4.50
1" IPS × ¾" CTS	1.50	1.80	4.50
1" IPS × 1" CTS	1.60	2.25	4.50
1¼" CTS × 1" IPS	1.50	2.00	3.84
1¼" IPS × 1¼" CTS	2.50	2.50	5.75
2" IPS × 1¼" CTS	2.49	2.88	6.31
2" IPS × 1½" CTS	2.19	2.29	5.00
2" IPS × 2" CTS	2.75	3.00	6.00
2" IPS × 2" CTS	2.75	3.00	6.00

IPS BUTT REDUCER DIMENSIONS

Nominal Size	A	B	L
1" × ½"	1.50	1.25	4.00
1" × ¾"	1.50	1.75	4.50
1¼" × 1"	1.86	1.92	4.25
1½" × ¾"	2.50	2.40	5.69
1½" × 1"	2.50	2.28	5.75
2" × 1"	2.49	2.88	6.31
2" × 1¼"	3.15	2.56	6.44
2" × 1½"	2.50	2.72	6.00
3" × 2"	3.22	2.50	6.65
4" × 2"	3.00	3.00	11.87
4" × 2"	2.75	2.75	7.16
4" × 3"	3.13	3.13	8.62
6" × 4"	4.22	3.75	9.13
8" × 6"	5.00	4.64	10.70
10" × 8"	6.63	6.25	14.98
12" × 10"	6.63	6.25	14.88

Call for availability of other sizes and dimensions.

Butt Fittings: Butt Reducers

(PE 2406/PE2708) REDUCERS

Size	SDR	Part Number	Pack Qty.	Wt.	CSA	IAPMO
1" CTS x 1/2" CTS	.101 WALL x .090 WALL	6911789	100	0.05	-	-
1" IPS x 1/2" CTS	DR 9.3 x .090 WALL	6911893	100	0.06	-	-
1" IPS x 1/2" IPS	DR 9.3	6911248	100	0.06	-	-
1" IPS x 3/4" CTS	DR 9.3 x .090 WALL	6911234	100	0.07	-	-
1" IPS x 3/4" IPS	DR 9.3	6910223	100	0.10	-	-
1" IPS x 1" CTS	DR 9.3 x .090 WALL	6911238	100	0.09	-	-
1" IPS x 1" CTS	DR 9.3 x .101 WALL	6911719	100	0.09	-	-
1 1/4" CTS x 1" IPS	.090 WALL x DR 9.3	6911245	100	0.07	-	-
1 1/4" IPS x 1" CTS	DR 10 x .102 WALL	10000725	100	0.10	-	-
1 1/4" IPS x 1" IPS	DR 10 x DR 11	6910218	100	0.10	-	-
1 1/2" IPS x 3/4" IPS	DR 9.3	6910073	100	0.22	-	-
1 1/2" IPS x 1" IPS	DR 11	6910227	100	0.20	YES	-
1 1/2" IPS x 1 1/4" IPS	DR 11	6911809	100	0.17	-	-
2" IPS x 1" IPS	DR 11	6910081	100	0.29	YES	YES
2" IPS x 1" IPS	DR 11	10009614	100	0.29	-	-
2" IPS x 1 1/4" CTS	DR 11 x .090 WALL	6912314	100	2.40	-	-
2" IPS x 1 1/4" IPS	DR 11 x DR 10	6910022	100	0.32	YES	YES
2" IPS x 1 1/2" IPS	DR 11	6910228	50	0.31	YES	-
3" IPS x 2" IPS	DR 11/11.5 x DR 11	691030221000	10	0.68	YES	YES
4" IPS x 2" IPS	DR 11/11.5 x DR 11	6910025	10	1.01	YES	YES
4" IPS x 3" IPS	DR 11/11.5	691040321000	10	0.95	YES	YES
4" IPS x 2" IPS	DR 13.5 x DR 11	6910625	10	1.09	-	-
4" IPS x 3" IPS	DR 13.5 x DR 11	6910646	10	1.03	-	-
6" IPS x 4" IPS	DR 11/11.5	691060421000	5	3.33	YES	YES
6" IPS x 4" IPS	DR 13.5 x DR 11	6911477	5	2.99	-	-
6" IPS x 4" IPS	DR 13.5	6911600	5	3.09	-	-
8" IPS x 6" IPS	DR 11 x DR 11/11.5	6912389	6	5.31	-	-
8" IPS x 6" IPS	DR 11/11.5	691080621000	6	5.86	YES	-
8" IPS x 6" IPS	DR 13.5 x DR 11	6911107	6	6.06	-	-
8" IPS x 6" IPS	DR 13.5	6910451	6	6.20	YES	-

Call for availability of other sizes and dimensions.

Butt Fittings: Butt Reducers

(PE3408/PE4710) CTS & IPS REDUCERS

Size	SDR	Part Number	Pack Qty.	Wt.	AWWA
¾" IPS × ¾" CTS	DR 11 × .090 WALL	10004186	100	0.03	-
1" CTS × ½" CTS	.101 WALL × .090 WALL	10004187	100	0.04	YES
1" IPS × ½" CTS	DR 9.3 × .090 WALL	10004189	50	0.09	YES
1" IPS × ¾" CTS	DR 11 × .090 WALL	10004188	100	0.07	YES
1" IPS × ½" IPS	DR 9.3	10004190	100	0.07	YES
1" IPS × ¾" CTS	DR 9.3 × .090 WALL	10004191	100	0.09	YES
1" IPS × ¾" IPS	DR 9.3	10004192	100	0.09	YES
1" IPS × 1" CTS	DR 9.3 × .090 WALL	10004194	100	0.10	YES
1" IPS × 1" CTS	DR 9.3 × .121 WALL	10004195	100	0.10	YES
1¼" CTS × 1" IPS	.090 WALL × DR 9.3	10003945	100	0.07	YES
1¼" IPS × 1" IPS	DR 11	10004197	100	0.11	YES
1¼" IPS × 1¼" CTS	DR 9.3 × .090 WALL	10003946	100	0.15	YES
1½" IPS × ¾" IPS	DR 9.3	10003947	100	0.18	YES
1½" IPS × 1" IPS	DR 11	10004198	100	0.16	YES
1½" IPS × 1" IPS	DR 9.3	10004199	100	0.19	YES
2" IPS × 1" IPS	DR 11	10007485	100	0.29	YES
2" IPS × 1¼" CTS	DR 11 × .090 WALL	10004200	100	0.30	YES
2" IPS × 1¼" IPS	DR 11	10007479	100	0.33	YES
2" IPS × 1½" IPS	DR 11	10003814	50	0.30	YES
2" IPS × 2" CTS	DR 11 × .193 WALL	10004202	20	0.57	YES
3" IPS × 2" IPS	DR 11	10007480	10	0.65	YES
3" IPS × 2" IPS	DR 9	10004208	10	1.21	YES
3" IPS × 2" IPS	DR 9/9.3	10004209	10	1.15	YES
3" IPS × 2" IPS	DR 7	10007371	10	1.62	YES
4" IPS × 2" IPS	DR 17	10004212	10	0.89	YES
4" IPS × 2" IPS	DR 11	10007481	10	1.02	YES
4" IPS × 2" IPS	DR 9/9.3	10004215	10	0.89	YES
4" IPS × 2" IPS	DR 7	10007372	10	2.38	YES
4" IPS × 3" IPS	DR 17	10004213	10	0.98	YES
4" IPS × 3" IPS	DR 11	10007482	10	1.18	YES
4" IPS × 3" IPS	DR 9/9.3	10004216	10	1.73	YES
4" IPS × 3" IPS	DR 7	10007373	10	2.78	YES
6" IPS × 4" IPS	DR 17	10008769	5	3.30	YES
6" IPS × 4" IPS	DR 11	10007784	5	3.26	YES
6" IPS × 4" IPS	DR 9	10004221	5	3.67	YES
6" IPS × 4" IPS	DR 7	10007374	5	6.00	YES
8" IPS × 6" IPS	DR 17	10004224	5	5.41	YES
8" IPS × 6" IPS	DR 11	10007483	6	6.13	YES
8" IPS × 6" IPS	DR 9	10004227	6	7.69	YES
8" IPS × 6" IPS	DR 7	10007375	6	10.68	YES
10" IPS × 8" IPS	DR 17	10007440	1	15.61	YES
10" IPS × 8" IPS	DR 11	10007439	1	16.40	YES
10" IPS × 8" IPS	DR 9	10000627	1	18.00	YES
12" IPS × 8" IPS	DR 17	10008803	1	17.00	YES
12" IPS × 8" IPS	DR 11	10008804	1	20.20	YES
12" IPS × 8" IPS	DR 9	10008805	1	23.00	YES
12" IPS × 10" IPS	DR 17	10007445	1	21.00	YES
12" IPS × 10" IPS	DR 11	10007444	1	24.20	YES
12" IPS × 10" IPS	DR 9	10000628	1	27.00	YES

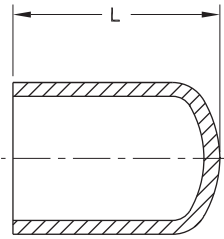
Call for availability of other sizes and dimensions.

Butt Fittings: Butt Cap



Style 2 shown here.

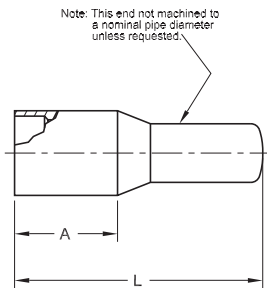
Style 1



STYLE 1 END CAP DIMENSIONS

Nominal Size	A	B	L
1/2" CTS	*	*	1.65
1/2" IPS	*	*	2.07
3/4" CTS	*	*	2.14
3/4" IPS	*	*	2.04
1" CTS	*	*	2.18
1" IPS	*	*	2.09
1 1/4" IPS	*	*	3.25
1 1/2" IPS	*	*	2.58
2" IPS	*	*	2.72
10" IPS	*	*	10.06
12" IPS	*	*	11.95

Style 2



STYLE 2 END CAP DIMENSIONS

Nominal Size	A	B	L
2" IPS	3.13	*	7.00
3" IPS	2.88	*	7.43
4" IPS	3.00	*	7.75
6" IPS	4.22	*	10.25
8" IPS	5.14	*	12.41

Call for availability of other sizes and dimensions.

Butt Fittings: Butt Cap

Call for availability of other sizes and dimensions.

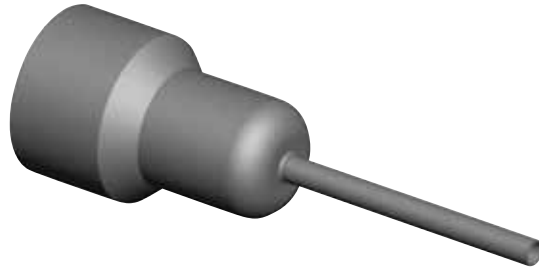
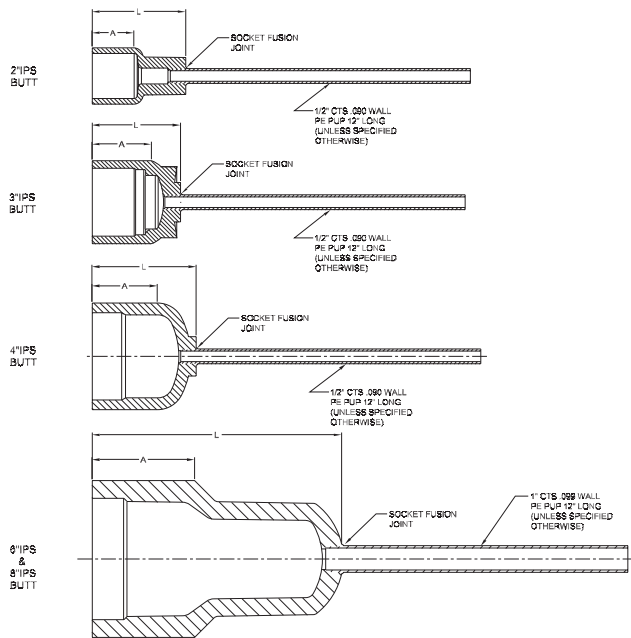
(PE2406/PE2708) CTS & IPS BUTT CAPS

Size	SDR	Part Number	Pack. Qty.	Wt.	CSA	IAPMO	Cap Style
½" CTS	.090 WALL	6911497	100	0.01	YES	-	Style 1
½" IPS	DR 9.3	6910631	100	0.02	-	-	Style 1
¾" CTS	.090 WALL	6912138	100	0.02	-	-	Style 1
¾" IPS	DR 11	6910221	100	0.03	YES	-	Style 1
1" CTS	.101 WALL	6912470	100	0.03	-	-	Style 1
1" IPS	DR 11	6910220	100	0.04	YES	-	Style 1
1¼" IPS	DR 10	6910052	50	0.12	YES	-	Style 1
1½" IPS	DR 11	6910225	50	0.11	-	-	Style 1
2" IPS	DR 11	691022200000	40	0.38	YES	YES	Style 2
2" IPS	DR 11	6912474	40	0.17	-	-	Style 1
3" IPS	DR 11	691032200000	10	0.90	YES	YES	Style 2
4" IPS	DR 13.5	6910624	10	1.45	-	-	Style 2
4" IPS	DR 11	691042200000	10	1.37	YES	YES	Style 2
6" IPS	DR 13.5	6910452	5	3.56	-	-	Style 2
6" IPS	DR 11/11.5	691062200000	5	4.19	YES	YES	Style 2
8" IPS	DR 13.5	6910453	6	6.95	YES	-	Style 2
8" IPS	DR 11	691082200000	6	7.82	YES	YES	Style 2
10" IPS	DR 13.5	10002781	1	11.75	-	-	Style 1
10" IPS	DR 11	6912345	1	11.92	-	-	Style 1
12" IPS	DR 13.5	6912347	1	20.18	-	-	Style 1
12" IPS	DR 11	6912346	1	20.78	-	-	Style 1

(PE3408/PE4710) IPS BUTT CAPS

Size	SDR	Part Number	Pack. Qty.	Wt.	AWWA	Cap Style
½" CTS	.090 WALL	10004157	100	0.01	YES	Style 1
¾" IPS	DR 11	10003713	100	0.05	YES	Style 1
1" CTS	.101 WALL	10003122	100	0.03	YES	Style 1
1" IPS	DR 11	10003837	100	0.04	YES	Style 1
1¼" IPS	DR 11	10001876	50	0.10	YES	Style 1
1½" IPS	DR 11	10004159	50	0.10	YES	Style 1
1½" IPS	DR 9.3	10003942	50	0.18	YES	Style 1
2" IPS	DR 11	10007419	40	0.16	YES	Style 1
2" IPS	DR 11	10004165	40	0.16	YES	Style 2
2" IPS	DR 7	10007376	10	0.32	YES	
3" IPS	DR 17	10004168	10	0.87	YES	Style 2
3" IPS	DR 11	10002937	10	0.80	YES	Style 2
3" IPS	DR 9.3	10003671	10	0.57	YES	Style 2
3" IPS	DR 7	10007377	10	0.66	YES	
4" IPS	DR 17	10004171	10	1.30	YES	Style 2
4" IPS	DR 11	10002938	10	1.40	YES	Style 2
4" IPS	DR 9	10004173	10	2.50	YES	Style 2
4" IPS	DR 7	10007378	10	1.76	YES	
6" IPS	DR 17	10008768	5	3.98	YES	Style 2
6" IPS	DR 11	10007786	5	4.36	YES	Style
6" IPS	DR 9	10004179	5	5.61	YES	Style 2
6" IPS	DR 7	10007379	5	2.92	YES	
8" IPS	DR 17	10004182	6	7.14	YES	Style 2
8" IPS	DR 11	10007484	6	7.46	YES	Style
8" IPS	DR 9	10004184	6	8.15	YES	Style 2
10" IPS	DR 11	10004161	1	11.75	YES	Style 1
12" IPS	DR 11	10004163	1	21.10	YES	Style 1

Butt Fittings: Purge Caps



(PURGE CAPS WITH PE PUPS SHOWN, CAN ALSO BE MADE AVAILABLE WITHOUT PE PUPS FUSED ON)

PURGE CAP DIMENSIONS

Nominal Size	A	L
2" IPS (DR 11)	2.50	4.78
3" IPS (DR 11)	2.49	3.72
4" IPS (DR 11)	2.75	4.31
6" IPS (DR 11)	4.08	10.46
8" IPS (DR 11)	5.14	12.41

(PE 2406/PE 2708) SOCKET FUSION PURGE CAPS

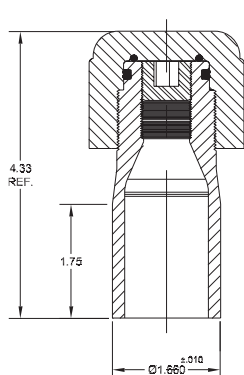
Main Size	Outlet Size	Part Number	Pack. Qty.	Wt.	CSA
2" IPS	1/2" CTS	6912391	25	0.29	-
4" IPS	1/2" CTS	6912393	10	1.06	-
6" IPS	1/2" CTS	10003172	5	3.00	-
6" IPS	1" CTS	6912394	5	4.00	-
8" IPS	1" CTS	6912395	6	9.10	-

(PE 2406/PE 2708) BUTT FUSION PURGE CAPS

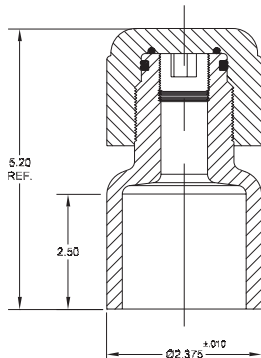
Size	Outlet Size	Part Number	Pack. Qty.	Wt.	CSA	IAPMO
2" IPS	1/2" CTS	6912400	15	0.48	YES	-
4" IPS	1/2" CTS	6912402	10	1.05	YES	-
6" IPS	1" CTS	6912403	10	5.00	YES	-
8" IPS	1" CTS	6912404	10	9.80	YES	-

Call for availability of other sizes and dimensions.

Butt Fittings: Purge Points



PURGE POINT
1 1/4" IPS



PURGE POINT
2" IPS



(PE2406/PE2708) PURGE POINTS

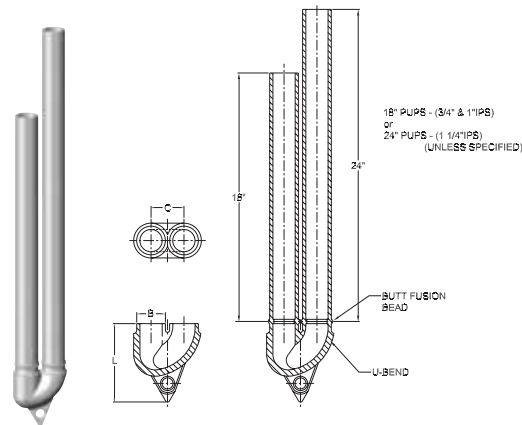
Size	Part Number	Pack. Qty.	Wt.
1 1/4" IPS	6911803	10	.37
2" IPS	6912107	40	.48

(PE3408/PE4710) PURGE POINTS

Size	Part Number	Pack. Qty.	Wt.
1 1/4" IPS	10004308	10	0.37
2" IPS	10004307	40	0.50

Butt Fittings: Geo-Loops (U-Bends)

*Available in PE3408/PE4710 only.



U-BEND DIMENSIONS

Nominal Size	A	B	C	L
3/4" IPS	*	1.05	1.75	3.84
1" IPS	*	1.31	1.82	3.84
1 1/4" IPS	*	1.66	1.91	4.55

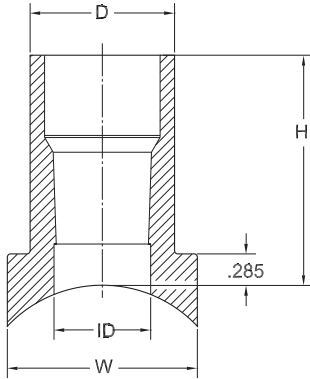
(PE 3408/PE4710) U-BENDS with pups

Size	SDR	Part Number	Pack. Qty.	Wt.
3/4" IPS	DR 11	10004317	15	1.24
1" IPS	DR 11	10004318	15	1.43
1 1/4" IPS	DR 11	10004319	15	1.82

(PE 3408/PE4710) U-BENDS

3/4" IPS	DR 11	10004311	100	.125
1" IPS	DR 11	10004310	100	.125
1 1/4" IPS	DR 9.3	10004309	100	.28

Saddle Fittings: Service Saddles w/Butt Outlet



SERVICE SADDLE w/ROUND BASE DIMENSIONS

IPS Main Size	Nominal Outlet Size	H	W	ID	D	L
3"-6"	1/2" IPS	*	*	*	*	*
1 1/4"-4"	3/4" IPS	1.81	1.73	0.66	1.05	*
1 1/4"-6"	1" IPS	1.81	1.73	0.88	1.31	*
6"	1 1/4" IPS	*	*	*	*	*
2"-6"	1 1/2" IPS	2.66	2.13	1.62	1.90	*

(PE3408/PE4710) SERVICE SADDLES w/ BUTT OUTLET

Outlet Size	SDR	Base Size	Part Number	Pack. Qty.	Wt.	AWWA
1/2" IPS	SDR 11	1 1/4" IPS	call	-	-	-
1/2" IPS	SDR 11	1 1/2" IPS	call	-	-	-
1/2" IPS	SDR 11	2" IPS	call	-	-	-
1/2" IPS	SDR 11	3" IPS	call	-	-	-
1/2" IPS	SDR 11	4" IPS	call	-	-	-
1/2" IPS	SDR 11	6" IPS	call	-	-	-
1/2" IPS	SDR 11	8" IPS	call	-	-	-
1/2" IPS	SDR 9.3	1 1/4" IPS	call	-	-	-
1/2" IPS	SDR 9.3	1 1/2" IPS	call	-	-	-
1/2" IPS	SDR 9.3	2" IPS	call	-	-	-
1/2" IPS	SDR 9.3	3" IPS	call	-	-	-
1/2" IPS	SDR 9.3	4" IPS	call	-	-	-
1/2" IPS	SDR 9.3	6" IPS	call	-	-	-
1/2" IPS	SDR 9.3	8" IPS	call	-	-	-

Also available with 12" sleeves.

Call for availability of other sizes and dimensions.

Saddle Fittings: Service Saddles w/Butt Outlet



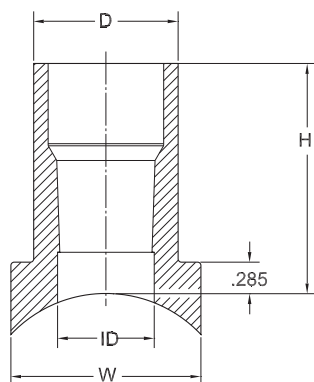
(PE3408/PE4710) SERVICE SADDLES w/BUTT OUTLET

Outlet Size	SDR	Base Size	Part Number	Pack. Qty.	Wt.	AWWA
¾" IPS	SDR 11	1¼" IPS	10004961	100	0.08	YES
¾" IPS	SDR 11	1½" IPS	10004968	100	0.06	YES
¾" IPS	SDR 11	2" IPS	10004977	100	0.06	YES
¾" IPS	SDR 11	3" IPS	10004988	100	0.05	YES
¾" IPS	SDR 11	4" IPS	10004999	100	0.07	YES
¾" IPS	SDR 11	6" IPS	call	-	-	-
¾" IPS	SDR 11	8" IPS	call	-	-	-
¾" IPS	SDR 9.3	1¼" IPS	10004962	100	0.08	YES
¾" IPS	SDR 9.3	1½" IPS	10004969	100	0.13	YES
¾" IPS	SDR 9.3	2" IPS	10004978	100	0.06	YES
¾" IPS	SDR 9.3	3" IPS	10004989	100	0.05	YES
¾" IPS	SDR 9.3	4" IPS	10005000	100	0.07	YES
¾" IPS	SDR 9.3	6" IPS	call	-	-	-
¾" IPS	SDR 9.3	8" IPS	call	-	-	-
1" IPS	SDR 11	1¼" IPS	10004965	100	0.07	YES
1" IPS	SDR 11	1½" IPS	10004972	100	0.08	YES
1" IPS	SDR 11	2" IPS	10004981	100	0.07	YES
1" IPS	SDR 11	3" IPS	10004992	100	0.06	YES
1" IPS	SDR 11	4" IPS	10005003	100	0.06	YES
1" IPS	SDR 11	6" IPS	10005012	100	0.06	YES
1" IPS	SDR 11	8" IPS	call	-	-	-
1" IPS	SDR 9.3	1¼" IPS	10004966	100	0.07	YES
1" IPS	SDR 9.3	1½" IPS	10004973	100	0.08	YES
1" IPS	SDR 9.3	2" IPS	10004982	100	0.07	YES
1" IPS	SDR 9.3	3" IPS	10004993	100	0.06	YES
1" IPS	SDR 9.3	4" IPS	10005004	100	0.06	YES
1" IPS	SDR 9.3	6" IPS	call	-	-	-
1" IPS	SDR 9.3	8" IPS	call	-	-	-

Also available with 12" sleeves.

Call for availability of other sizes and dimensions.

Saddle Fittings: Service Saddles w/Butt Outlet



SERVICE SADDLE w/ROUND BASE DIMENSIONS

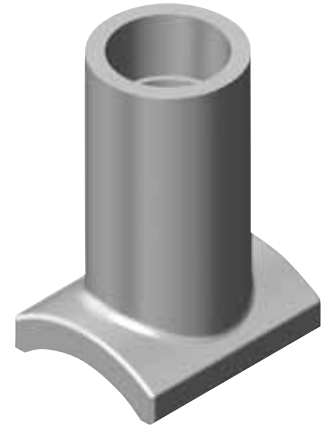
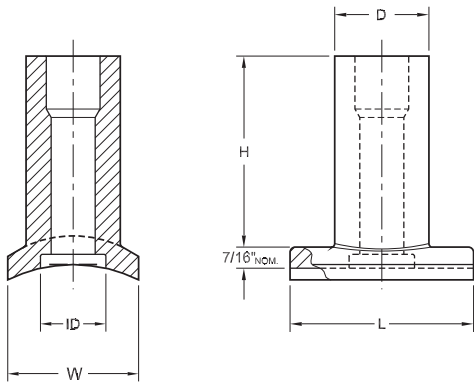
IPS Main Size	Nominal Outlet Size	H	W	ID	D	L
3"-6"	1/2" IPS	*	*	*	*	*
1 1/4"-4"	3/4" IPS	1.81	1.73	0.66	1.05	*
1 1/4"-6"	1" IPS	1.81	1.73	0.88	1.31	*
6"	1 1/4" IPS	*	*	*	*	*
2"-6"	1 1/2" IPS	2.66	2.13	1.62	1.90	*

(PE3408/PE4710) SERVICE SADDLES w/BUTT OUTLET

Outlet Size	SDR	Base Size	Part Number	Pack. Qty.	Wt.	AWWA
1 1/4" IPS	SDR 11	2" IPS	call	-	-	-
1 1/4" IPS	SDR 11	3" IPS	call	-	-	-
1 1/4" IPS	SDR 11	4" IPS	call	-	-	-
1 1/4" IPS	SDR 11	6" IPS	call	-	-	-
1 1/4" IPS	SDR 11	8" IPS	10004960	-	0.15	YES
1 1/4" IPS	SDR 11	10" IPS	10004976	-	0.15	YES
1 1/4" IPS	SDR 9.3	2" IPS	call	-	-	-
1 1/4" IPS	SDR 9.3	3" IPS	call	-	-	-
1 1/4" IPS	SDR 9.3	4" IPS	call	-	-	-
1 1/4" IPS	SDR 9.3	6" IPS	call	-	-	-
1 1/2" IPS	SDR 11	3" IPS	call	-	-	-
1 1/2" IPS	SDR 11	4" IPS	call	-	-	-
1 1/2" IPS	SDR 11	6" IPS	call	-	-	-
1 1/2" IPS	SDR 11	8" IPS	call	-	-	-
1 1/2" IPS	SDR 9.3	2" IPS	10004985	30	0.14	YES
1 1/2" IPS	SDR 9.3	3" IPS	10004996	30	0.14	YES
1 1/2" IPS	SDR 9.3	4" IPS	10005007	30	0.14	YES
1 1/2" IPS	SDR 9.3	6" IPS	10005016	30	0.14	YES
1 1/2" IPS	SDR 9.3	8" IPS	call	-	-	-

Call for availability of other sizes and dimensions.

Saddle Fittings: Service Saddles w/Socket Outlet



SERVICE SADDLE w/RECTANGULAR BASE DIMENSIONS

IPS Main Size	Nominal Outlet Size	H	W	ID	D	L
1¼"–6"	½" CTS	2.83	2.00	N/A	1.38	2.44
2"–8"	½" IPS	2.83	2.00	1.00	1.38	2.44

(PE2406/PE2708) SERVICE SADDLES w/SOCKET OUTLET

Outlet Size	Base Size	Part Number	Pack. Qty.	Wt.	CSA	IAPMO
½" CTS	1¼" IPS	6920146	100	0.19	-	-
½" CTS	1½" IPS	call	-	-	-	-
½" CTS	2" IPS	6920147	100	0.20	-	-
½" CTS	3" IPS	6920199	100	0.19	-	-
½" CTS	4" IPS	6920200	100	0.19	-	-
½" CTS	6" IPS	6920201	100	0.19	-	-
½" CTS	8" IPS	call	-	-	-	-
½" IPS	1¼" IPS	call	-	-	-	-
½" IPS	1½" IPS	call	-	-	-	-
½" IPS	2" IPS	6920129	100	0.17	-	-
½" IPS	3" IPS	6920130	100	0.17	-	-
½" IPS	4" IPS	call	-	-	-	-
½" IPS	6" IPS	6920133	100	0.10	-	-
½" IPS	8" IPS	6920134	100	0.15	-	-

Fittings are standard sizes.

Also available with 12" sleeves.

Call for availability of other sizes and dimensions.

Saddle Fittings: Service Saddles w/Socket Outlet

SERVICE SADDLE w/RECTANGULAR BASE DIMENSIONS

IPS Main Size	Nominal Outlet Size	H	W	ID	D	L
1¼"-8"	¾" IPS	2.83	2.00	1.00	1.31	2.44
1¼"-8"	1" CTS	2.83	2.00	1.00	1.38	2.44
1¼"-8"	1" IPS	2.83	2.00	N/A	1.68	2.44
2"-6"	1¼" IPS	2.06	2.37	1.37	2.37	2.94

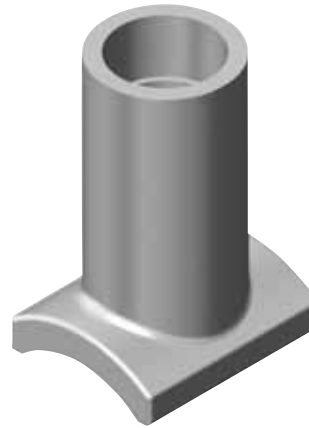
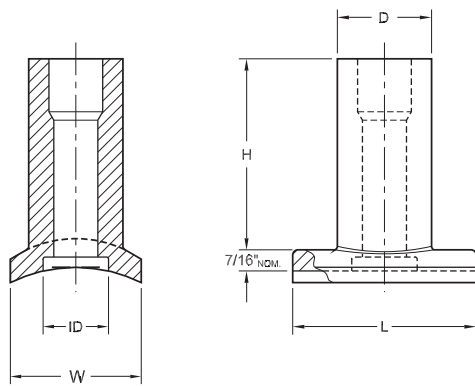
(PE 2406/PE2708) SERVICE SADDLES w/SOCKET OUTLET

Outlet Size	Base Size	Part Number	Pack. Qty.	Wt.	CSA	IAPMO
¾" IPS	1¼" IPS	692127510000	100	0.17	-	-
¾" IPS	1½" IPS	6920144	100	0.17	-	-
¾" IPS	2" IPS	692027510000	100	0.17	-	-
¾" IPS	3" IPS	692037510000	100	0.19	-	-
¾" IPS	4" IPS	692047510000	100	0.19	-	-
¾" IPS	6" IPS	692067510000	100	0.19	-	-
¾" IPS	8" IPS	692087510000	100	0.19	-	-
1" CTS	1¼" IPS	call	-	-	-	-
1" CTS	1½" IPS	call	-	-	-	-
1" CTS	2" IPS	6920174	100	0.16	-	-
1" CTS	3" IPS	6920175	100	0.16	-	-
1" CTS	4" IPS	call	-	-	-	-
1" CTS	6" IPS	6920177	100	0.17	-	-
1" CTS	8" IPS	call	-	-	-	-
1" IPS	1¼" IPS	6920143	50	0.25	-	-
1" IPS	1½" IPS	6920145	50	0.20	-	-
1" IPS	2" IPS	692020110000	50	0.19	-	-
1" IPS	3" IPS	692030110000	50	0.19	-	-
1" IPS	4" IPS	692040110000	50	0.18	-	-
1" IPS	6" IPS	692060110000	50	0.22	-	-
1" IPS	8" IPS	call	-	-	-	-
1¼" IPS	2" IPS	692021230000	100	0.32	-	-
1¼" IPS	3" IPS	6920148	50	0.29	-	-
1¼" IPS	4" IPS	6920149	50	0.28	-	-
1¼" IPS	6" IPS	6920171	50	0.26	-	-
1¼" IPS	8" IPS	call	-	-	-	-

Also available with 12" sleeves.

Call for availability of other sizes and dimensions.

Saddle Fittings: Service Saddles w/Socket Outlet



SERVICE SADDLE w/RECTANGULAR BASE DIMENSIONS

IPS Main Size	Nominal Outlet Size	H	W	ID	D	L
1¼"–8"	1" IPS	2.83	2.00	N/A	1.68	2.44
2"–6"	1¼" IPS	2.06	2.37	1.37	2.37	2.94

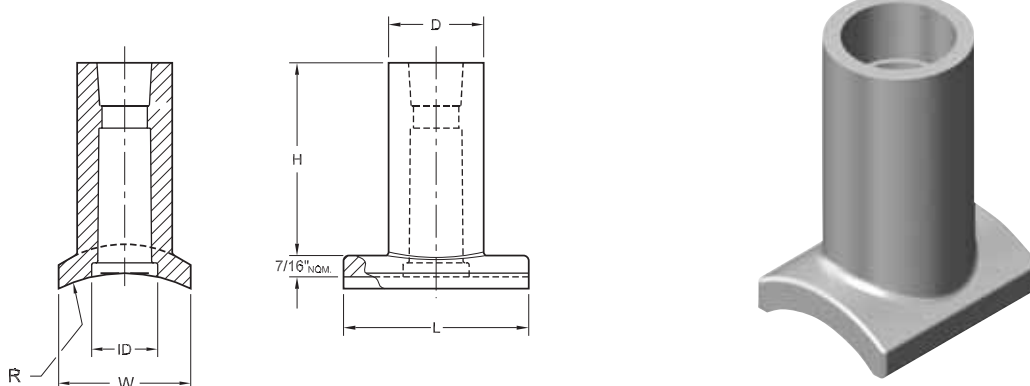
(PE3408/PE4710) SERVICE SADDLES w/SOCKET OUTLET

Outlet Size	Base Size	Part Number	Pack. Qty.	Wt.	AWWA
1" IPS	1¼" IPS	10004964	50	0.20	YES
1" IPS	1½" IPS	10004971	50	0.20	YES
1" IPS	2" IPS	10004980	50	1.11	YES
1" IPS	3" IPS	10004991	50	0.19	YES
1" IPS	4" IPS	10005002	50	0.18	YES
1" IPS	6" IPS	10005011	50	0.18	YES
1" IPS	8" IPS	10005019	50	0.18	YES
1¼" IPS	2" IPS	10004983	50	0.34	YES
1¼" IPS	3" IPS	10004994	50	0.34	YES
1¼" IPS	4" IPS	10005005	50	0.34	YES
1¼" IPS	6" IPS	10005014	50	0.30	YES
1¼" IPS	8" IPS	call	-	-	-

Also available with 12" sleeves.

Call for availability of other sizes and dimensions.

Saddle Fittings: Service Saddles w/Combo Outlet



SERVICE SADDLE w/RECTANGULAR BASE DIMENSIONS

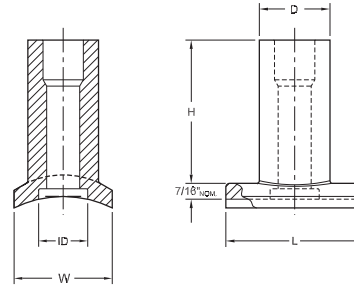
IPS Main Size	Nominal Outlet Size	H	W	ID	D	L
1¼"–8"	¾" IPS Butt & ½" IPS Socket	2.83	2.00	1.06	1.05	2.44
1¼"–8"	1" IPS Butt & ¾" IPS Socket	2.83	2.00	N/A	1.315	2.44
1½"–4"	1¼" IPS Butt & 1" IPS Socket	2.83	2.00	1.05	1.66	2.44

(PE 2406/PE2708) SERVICE SADDLES w/COMBO OUTLET

Outlet Size	Base Size	Part Number	Pack. Qty.	Wt.	CSA	IAPMO
¾" IPS Butt ½" IPS Socket	1¼" IPS	call	100	0.14	-	-
¾" IPS Butt ½" IPS Socket	1½" IPS	6920263	100	0.12	-	-
¾" IPS Butt ½" IPS Socket	2" IPS	6920265	100	0.11	-	-
¾" IPS Butt ½" IPS Socket	3" IPS	6920267	100	0.12	-	-
¾" IPS Butt ½" IPS Socket	4" IPS	6920269	100	0.11	-	-
¾" IPS Butt ½" IPS Socket	6" IPS	6920271	100	0.10	-	-
¾" IPS Butt ½" IPS Socket	8" IPS	call	-	-	-	-
1" IPS Butt ¾" IPS Socket	1¼" IPS	692127510000	100	0.14	-	-
1" IPS Butt ¾" IPS Socket	1½" IPS	6920144	100	0.14	-	-
1" IPS Butt ¾" IPS Socket	2" IPS	692027510000	100	0.13	-	-
1" IPS Butt ¾" IPS Socket	3" IPS	692037510000	100	0.14	-	-
1" IPS Butt ¾" IPS Socket	4" IPS	692047510000	100	0.14	-	-
1" IPS Butt ¾" IPS Socket	6" IPS	692067510000	100	0.12	-	-
1" IPS Butt ¾" IPS Socket	8" IPS	692087510000	100	0.10	-	-

Also available with 12" sleeves.
Call for availability of other sizes and dimensions.

Saddle Fittings: Service Saddles w/Combo Outlet



SERVICE SADDLE w/RECTANGULAR BASE DIMENSIONS

IPS Main Size	Nominal Outlet Size	H	W	ID	D	L
3"-6"	½" IPS	2.83	2.00	1.00	1.05	2.44
1¼"-4"	¾" IPS	2.83	2.00	1.00	1.31	2.44
1¼"-6"	1" IPS	2.83	2.00	N/A	1.31	2.44
6"	1¼" IPS	2.83	2.00	1.05	1.66	2.44
2"-6"	1½" IPS	4.00	2.43	1.62	2.37	2.87

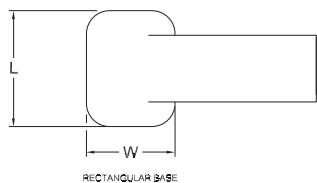
(PE3408/PE4710) SERVICE SADDLES w/COMBO OUTLET

Outlet Size	Base Size	Part Number	Pack. Qty.	Wt.	AWWA
¾" IPS Butt ½" IPS Socket	1¼" IPS	10004963	100	0.13	YES
¾" IPS Butt ½" IPS Socket	1½" IPS	10004970	100	0.11	YES
¾" IPS Butt ½" IPS Socket	2" IPS	10004979	100	0.11	YES
¾" IPS Butt ½" IPS Socket	3" IPS	10004990	100	0.10	YES
¾" IPS Butt ½" IPS Socket	4" IPS	10005001	100	0.10	YES
¾" IPS Butt ½" IPS Socket	6" IPS	10005010	100	0.10	YES
¾" IPS Butt ½" IPS Socket	8" IPS	10005018	100	0.09	YES
1" IPS Butt ¾" IPS Socket	1¼" IPS	10004967	100	0.17	YES
1" IPS Butt ¾" IPS Socket	1½" IPS	10004975	100	0.17	YES
1" IPS Butt ¾" IPS Socket	2" IPS	10004986	100	0.14	YES
1" IPS Butt ¾" IPS Socket	3" IPS	10004997	100	0.16	YES
1" IPS Butt ¾" IPS Socket	4" IPS	10005008	100	0.13	YES
1" IPS Butt ¾" IPS Socket	6" IPS	10005017	100	0.12	YES
1" IPS Butt ¾" IPS Socket	8" IPS	10005020	100	0.14	YES
1¼" IPS Butt 1" IPS Socket	1½" IPS	10004974	50	0.17	YES
1¼" IPS Butt 1" IPS Socket	2" IPS	10004984	50	1.05	YES
1¼" IPS Butt 1" IPS Socket	3" IPS	10004995	50	0.19	YES
1¼" IPS Butt 1" IPS Socket	4" IPS	10005006	50	0.17	YES
1¼" IPS Butt 1" IPS Socket	6" IPS	10005015	50	0.17	YES
1¼" IPS Butt 1" IPS Socket	8" IPS	call	-	-	-

Also available with 12" sleeves.

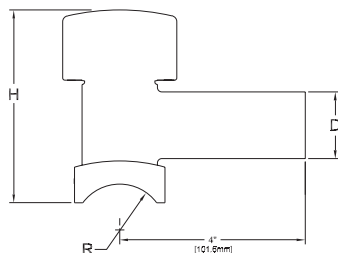
Call for availability of other sizes and dimensions.

Saddle Fittings: Tapping Tee w/ Rectangular Base and Butt Outlet



RECTANGULAR BASE

CP SERIES "B"
BASE STYLE & CENTRAL CAP



TAPPING TEE w/BUTT OUTLET DIMENSIONS

Nominal Outlet Size	H	W	D	L
1/2" CTS	4.16	1.91	0.62	2.50
1/2" IPS	4.16	1.91	0.84	2.50
3/4" CTS	4.16	1.91	0.87	2.50
3/4" IPS	4.16	1.91	1.05	2.50

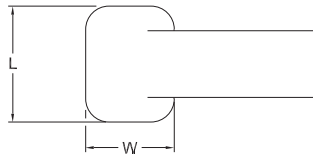
(PE2406/PE2708) TAPPING TEES w/BUTT OUTLET & EMERY CLOTH

Outlet Size	Main Size	Cutter Size & Material	Part Number	Pack. Qty.	Wt.	CSA	IAPMO
1/2" CTS	1 1/4" IPS	0.5 / Steel	10002874	10	0.50	YES	-
1/2" CTS	2" IPS	0.8 / Steel	10000741	10	-	YES	-
1/2" CTS	3" IPS	0.8 / Steel	10000854	10	0.00	YES	-
1/2" CTS	4" IPS	0.8 / Steel	10001070	10	0.00	YES	-
1/2" CTS	6" IPS	0.8 / Steel	call	-	-	-	-
1/2" CTS	8" IPS	0.8 / Steel	call	-	-	-	-
3/4" CTS	1 1/4" IPS	0.8 / Steel	10000739	10	0.68	YES	-
3/4" CTS	2" IPS	0.8 / Steel	6930727	10	0.65	YES	-
3/4" CTS	3" IPS	0.8 / Steel	10000855	10	0.71	YES	-
3/4" CTS	4" IPS	0.8 / Steel	10000856	10	0.63	YES	-
3/4" CTS	6" IPS	0.8 / Steel	10000857	10	0.73	YES	-
3/4" CTS	8" IPS	0.8 / Steel	10003719	10	0.74	YES	-
3/4" IPS	1 1/4" IPS	0.8 / Steel	call	-	-	-	-
3/4" IPS	2" IPS	0.8 / Steel	10002877	10	0.50	YES	-
3/4" IPS	3" IPS	0.8 / Steel	call	-	-	-	-
3/4" IPS	4" IPS	0.8 / Steel	10002882	10	0.67	YES	-
3/4" IPS	6" IPS	0.8 / Steel	call	-	-	-	-
3/4" IPS	8" IPS	0.8 / Steel	call	-	-	-	-

Available with sleeves on request.

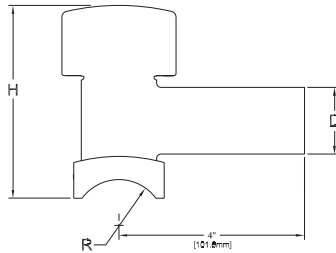
Call for availability of other sizes and dimensions.

Saddle Fittings: Tapping Tee w/ Rectangular Base and Butt Outlet



RECTANGULAR BASE

CP SERIES "B"
BASE STYLE & CENTRAL CAP



TAPPING TEE w/BUTT OUTLET DIMENSIONS

Nominal Outlet Size	H	W	D	L
1" CTS	4.16	1.91	1.13	2.50
1" IPS	4.16	1.91	1.31	2.50
1 1/4" IPS	4.16	1.91	1.66	2.50

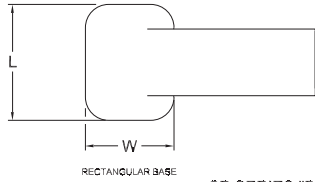
(PE2406/PE2708) TAPPING TEES w/BUTT OUTLET & EMERY CLOTH

Outlet Size	Main Size	Cutter Size & Material	Part Number	Pack. Qty.	Wt.	CSA	IAPMO
1" CTS	1 1/4" IPS	0.8 / Steel	10000740	10	0.68	pending	-
1" CTS	2" IPS	0.8 / Steel	10001071	10	0.62	pending	-
1" CTS	3" IPS	0.8 / Steel	10001072	10	0.77	pending	-
1" CTS	4" IPS	0.8 / Steel	10001073	10	0.70	pending	-
1" CTS	6" IPS	0.8 / Steel	10001074	10	0.75	pending	-
1" CTS	8" IPS	0.8 / Steel	10003734	-	-	-	-
1" IPS	1 1/4" IPS	0.8 / Steel	10002876	10	0.61	pending	-
1" IPS	2" IPS	0.8 / Steel	10002878	10	0.64	pending	-
1" IPS	3" IPS	0.8 / Steel	call	-	-	-	-
1" IPS	4" IPS	0.8 / Steel	call	-	-	-	-
1" IPS	6" IPS	0.8 / Steel	10003194	10	0.60	pending	-
1" IPS	8" IPS	0.8 / Steel	call	-	-	-	-
1 1/4" IPS	1 1/4" IPS	0.8 / Steel	call	-	-	-	-
1 1/4" IPS	2" IPS	0.8 / Steel	10001075	10	0.68	pending	-
1 1/4" IPS	3" IPS	0.8 / Steel	10001076	10	0.67	pending	-
1 1/4" IPS	4" IPS	0.8 / Steel	10001077	10	0.68	pending	-
1 1/4" IPS	6" IPS	0.8 / Steel	10001078	10	0.67	pending	-
1 1/4" IPS	8" IPS	0.8 / Steel	call	20	1.78	pending	-

Available with sleeves on request.

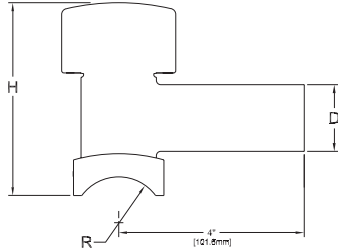
Call for availability of other sizes and dimensions.

Saddle Fittings: Tapping Tee w/ Rectangular Base and Butt Outlet



RECTANGULAR BASE

CP SERIES "B"
BASE STYLE & CENTRAL CAP



TAPPING TEE w/BUTT OUTLET DIMENSIONS

Nominal Outlet Size	H	W	D	L
1/2" CTS	4.16	1.91	0.62	2.50
1/2" IPS	4.16	1.91	1.13	2.50
3/4" CTS	4.16	1.91	0.87	2.50

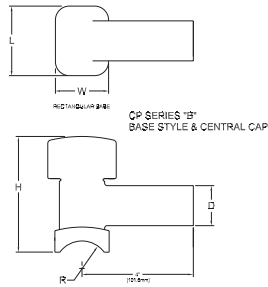
(PE3408/PE4710) TAPPING TEES w/BUTT OUTLET & EMERY CLOTH

Outlet Size	Main Size	Cutter Size & Material	Part Number	Pack. Qty.	Wt.	AWWA
1/2" CTS	1 1/4" IPS	0.8 / Steel	call	-	-	-
1/2" CTS	2" IPS	0.8 / Steel	call	-	-	-
1/2" CTS	3" IPS	0.8 / Steel	call	-	-	-
1/2" CTS	4" IPS	0.8 / Steel	call	-	-	-
1/2" CTS	6" IPS	0.8 / Steel	call	-	-	-
1/2" CTS	8" IPS	0.8 / Steel	call	-	-	-
1/2" IPS	1 1/4" IPS	0.8 / Steel	call	-	-	-
1/2" IPS	2" IPS	0.8 / Steel	call	-	-	-
1/2" IPS	3" IPS	0.8 / Steel	call	-	-	-
1/2" IPS	4" IPS	0.8 / Steel	call	-	-	-
1/2" IPS	6" IPS	0.8 / Steel	call	-	-	-
1/2" IPS	8" IPS	0.8 / Steel	call	-	-	-
3/4" CTS	1 1/4" IPS	0.8 / Steel	call	-	-	-
3/4" CTS	2" IPS	0.8 / Steel	call	-	-	-
3/4" CTS	3" IPS	0.8 / Steel	call	-	-	-
3/4" CTS	4" IPS	0.8 / Steel	call	-	-	-
3/4" CTS	6" IPS	0.8 / Steel	call	-	-	-
3/4" CTS	8" IPS	0.8 / Steel	call	-	-	-

Available with sleeves on request.

Call for availability of other sizes and dimensions.

Saddle Fittings: Tapping Tee w/ Rectangular Base and Butt Outlet



TAPPING TEE w/BUTT OUTLET DIMENSIONS				
Nominal Outlet Size	H	W	D	L
¾" IPS	4.16	1.91	1.11	2.50
1" CTS	4.16	1.91	1.13	2.50
1" IPS	4.16	1.91	1.31	2.50
1¼" IPS	4.16	1.91	1.66	2.50

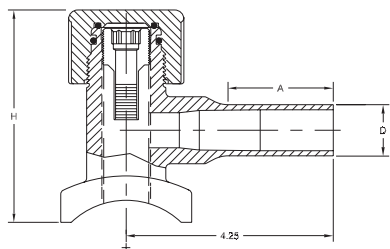
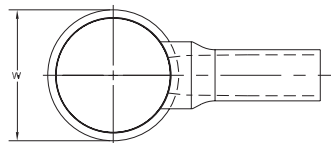
(PE3408/PE4710) TAPPING TEES w/BUTT OUTLET & EMERY CLOTH

Outlet Size	Main Size	Cutter Size & Material	Part Number	Pack. Qty.	Wt.	AWWA
¾" IPS	1¼" IPS	0.8 / Steel	call	-	-	-
¾" IPS	2" IPS	0.8 / Steel	call	-	-	-
¾" IPS	3" IPS	0.8 / Steel	call	-	-	-
¾" IPS	4" IPS	0.8 / Steel	call	-	-	-
¾" IPS	6" IPS	0.8 / Steel	call	-	-	-
¾" IPS	8" IPS	0.8 / Steel	call	-	-	-
1" CTS	1¼" IPS	0.8 / Steel	call	-	-	-
1" CTS	2" IPS	0.8 / Steel	10007297	80	0.60	YES
1" CTS	3" IPS	0.8 / Steel	call	-	-	-
1" CTS	4" IPS	0.8 / Steel	call	-	-	-
1" CTS	6" IPS	0.8 / Steel	call	-	-	-
1" CTS	8" IPS	0.8 / Steel	call	-	-	-
1" IPS	1¼" IPS	0.8 / Steel	call	-	-	-
1" IPS	2" IPS	0.8 / Steel	10005209	80	0.62	-
1" IPS	3" IPS	0.8 / Steel	10005172	60	0.64	-
1" IPS	4" IPS	0.8 / Steel	call	-	-	-
1" IPS	6" IPS	0.8 / Steel	call	-	-	-
1" IPS	8" IPS	0.8 / Steel	call	-	-	-
1¼" IPS	2" IPS	0.8 / Steel	call	-	-	-
1¼" IPS	3" IPS	0.8 / Steel	call	-	-	-
1¼" IPS	4" IPS	0.8 / Steel	call	-	-	-
1¼" IPS	6" IPS	0.8 / Steel	call	-	-	-
1¼" IPS	8" IPS	0.8 / Steel	call	-	-	-

Available with sleeves on request.

Call for availability of other sizes and dimensions.

Saddle Fittings: Tapping Tee w/Round Base and Butt Outlet



TAPPING TEE w/BUTT OUTLET DIMENSIONS

Nominal Outlet Size	A (Outlet Length)	H	W	D	L
¾" CTS	2.50	4.40	2.69	.87	*
1" CTS	2.11	4.40	2.69	1.12	*
1" IPS	2.75	4.40	2.69	1.31	*

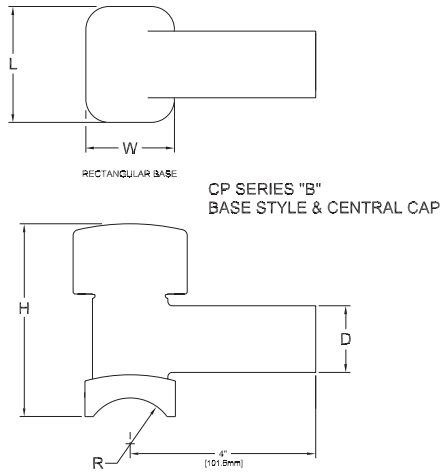
(PE3408/PE4710) TAPPING TEES w/BUTT OUTLET

Outlet Size	Main Size	Cutter Size & Material	Part Number	Pack. Qty.	Wt.	AWWA
¾" CTS	2" IPS	0.8 / Brass	call	-	-	-
¾" CTS	3" IPS	0.8 / Brass	call	-	-	-
¾" CTS	4" IPS	0.8 / Brass	call	-	-	-
¾" CTS	6" IPS	0.8 / Brass	call	-	-	-
¾" CTS	8" IPS	0.8 / Brass	call	-	-	-
¾" CTS	10" IPS	0.8 / Brass	call	-	-	-
¾" CTS	12" IPS	0.8 / Brass	10006033	80	0.64	YES
¾" CTS	4" DIPS	0.8 / Brass	call	-	-	-
¾" CTS	6" DIPS	0.8 / Brass	10005115	80	0.64	YES
¾" CTS	8" DIPS	0.8 / Brass	10005133	80	0.64	YES
¾" CTS	10" DIPS	0.8 / Brass	call	-	-	-
¾" CTS	12" DIPS	0.8 / Brass	10006031	80	0.64	YES
1" CTS	2" IPS	0.8 / Brass	call	-	-	-
1" CTS	3" IPS	0.8 / Brass	call	-	-	-
1" CTS	4" IPS	0.8 / Brass	call	-	-	-
1" CTS	6" IPS	0.8 / Brass	call	-	-	-
1" CTS	8" IPS	0.8 / Brass	call	-	-	-
1" CTS	10" IPS	0.8 / Brass	call	-	-	-
1" CTS	12" IPS	0.8 / Brass	call	-	-	-
1" CTS	4" DIPS	0.8 / Brass	10005168	80	0.64	YES
1" CTS	6" DIPS	0.8 / Brass	10005117	80	0.64	YES
1" CTS	8" DIPS	0.8 / Brass	10005135	80	0.63	YES
1" CTS	10" DIPS	0.8 / Brass	6932440	-	-	YES
1" CTS	12" DIPS	0.8 / Brass	10006032	80	0.63	YES
1" IPS	2" IPS	0.8 / Brass	call	-	-	-
1" IPS	3" IPS	0.8 / Brass	call	-	-	-
1" IPS	4" IPS	0.8 / Brass	call	-	-	-
1" IPS	6" IPS	0.8 / Brass	call	-	-	-
1" IPS	8" IPS	0.8 / Brass	call	-	-	-

Available with sleeves on request.

Call for availability of other sizes and dimensions.

Saddle Fittings: Tapping Tee w/Rectangular Base and Socket Outlet



TAPPING TEE w/SOCKET OUTLET DIMENSIONS

Nominal Outlet Size	H	W	D	L
1/2" CTS	4.16	1.91	0.99	2.50
1/2" IPS	4.16	1.91	1.38	2.50
3/4" CTS	4.16	1.91	1.13	2.50
3/4" IPS	4.16	1.91	1.36	2.50
1" CTS	4.16	1.91	1.36	2.50
1" IPS	4.16	1.91	1.66	2.50
1 1/4" IPS	4.16	1.91	2.25	2.50

*Combination outlet also 1 1/4" IPS Butt DR 9.3
Fittings are standard sizes.
Call for availability of other sizes and dimensions.

Saddle Fittings: Tapping Tee w/Rectangular Base and Socket Outlet

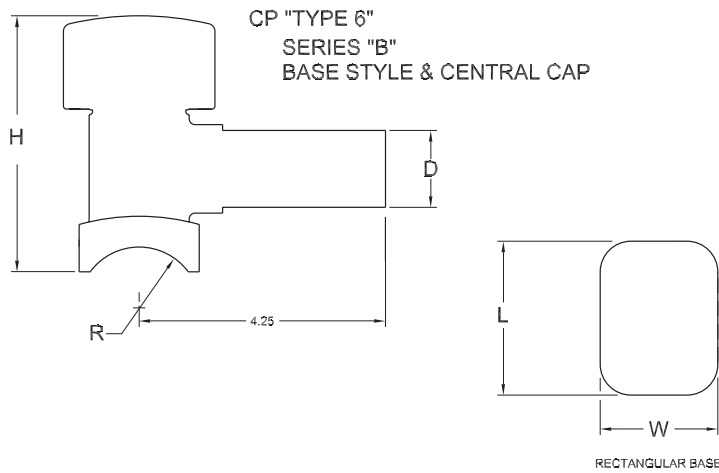
(PE 2406/PE2708) TAPPING TEES w/SOCKET OUTLET, SLEEVE & EMERY CLOTH

Outlet Size	Main Size	Cutter Size & Material	Part Number	Pack. Qty.	Wt.	CSA	IAPMO
½" CTS	1¼" IPS	0.8 / Steel	10002684	10	1.10	-	-
½" CTS	2" IPS	0.8 / Steel	10002685	10	1.10	-	-
½" CTS	3" IPS	0.8 / Steel	10002686	10	1.10	-	-
½" CTS	4" IPS	0.8 / Steel	10002687	10	1.10	-	-
½" CTS	6" IPS	0.8 / Steel	10002688	10	1.10	-	-
½" CTS	8" IPS	0.8 / Steel	10007998	10	1.10	-	-
½" IPS	1¼" IPS	0.8 / Steel	10002689	10	1.10	-	-
½" IPS	2" IPS	0.8 / Steel	10002690	10	1.10	-	-
½" IPS	3" IPS	0.8 / Steel	10002691	10	1.10	-	-
½" IPS	4" IPS	0.8 / Steel	10002692	10	1.10	-	-
½" IPS	6" IPS	0.8 / Steel	10002693	10	1.10	-	-
½" IPS	8" IPS	0.8 / Steel	call	-	-	-	-
¾" IPS	1¼" IPS	0.8 / Steel	6932621	10	0.75	-	-
¾" IPS	2" IPS	0.8 / Steel	6932622	10	1.03	-	-
¾" IPS	3" IPS	0.8 / Steel	6932623	10	1.10	-	-
¾" IPS	4" IPS	0.8 / Steel	6932624	10	1.15	-	-
¾" IPS	6" IPS	0.8 / Steel	6932625	10	1.05	-	-
¾" IPS	8" IPS	0.8 / Steel	6932626	10	1.05	-	-
1" CTS	1¼" IPS	0.8 / Steel	10002694	10	1.10	-	-
1" CTS	2" IPS	0.8 / Steel	10002695	10	1.10	-	-
1" CTS	3" IPS	0.8 / Steel	10002696	10	1.10	-	-
1" CTS	4" IPS	0.8 / Steel	10002697	10	1.10	-	-
1" CTS	6" IPS	0.8 / Steel	10002698	10	1.10	-	-
1" CTS	8" IPS	0.8 / Steel	10002699	10	1.10	-	-
1" IPS	1¼" IPS	0.8 / Steel	call	-	-	-	-
1" IPS	2" IPS	0.8 / Steel	call	10	1.20	-	-
1" IPS	3" IPS	0.8 / Steel	call	-	-	-	-
1" IPS	4" IPS	0.8 / Steel	call	10	1.20	-	-
1" IPS	6" IPS	0.8 / Steel	call	10	1.20	-	-
1" IPS	8" IPS	0.8 / Steel	call	-	-	-	-
1¼" IPS	1¼" IPS	0.8 / Steel	6932611	10	1.71	-	-
1¼" IPS	2" IPS	0.8 / Steel	6932612	10	1.71	-	-
1¼" IPS	3" IPS	0.8 / Steel	6932613	10	1.70	-	-
1¼" IPS	4" IPS	0.8 / Steel	6932614	10	1.70	-	-
1¼" IPS	6" IPS	0.8 / Steel	6932615	10	1.51	-	-
1¼" IPS	8" IPS	0.8 / Steel	6932616	10	1.51	-	-

Call for availability of other sizes and dimensions.

Available without sleeves on request.

Saddle Fittings: Tapping Tee w/Rectangular Base and Combo Outlet



TAPPING TEE w/COMBO OUTLET DIMENSIONS

Nominal Outlet Size	H	W	D	L
*1¼" IPS	4.16	1.91	1.66	2.50

(PE2406/PE2708) TAPPING TEES w/COMBO OUTLET, SLEEVE & EMERY CLOTH

Outlet Size	Main Size	Cutter Size & Material	Part Number	Pack. Qty.	Wt.	CSA	IAPMO
1¼" IPS BF - 1" IPS SF	1¼" IPS	0.8 / Steel	call	-	-	-	-
1¼" IPS BF - 1" IPS SF	2" IPS	0.8 / Steel	call	-	-	-	-
1¼" IPS BF - 1" IPS SF	3" IPS	0.8 / Steel	call	-	-	-	-
1¼" IPS BF - 1" IPS SF	4" IPS	0.8 / Steel	call	-	-	-	-
1¼" IPS BF - 1" IPS SF	6" IPS	0.8 / Steel	call	-	-	-	-
1¼" IPS BF - 1" IPS SF	8" IPS	0.8 / Steel	call	-	-	-	-

Available without sleeves on request.
Call for availability of other sizes and dimensions.

Saddle Fittings: Tapping Tee Trainers

At Georg Fischer Central Plastics, we make every effort to manufacture the very best products, but they are only to be installed by properly trained and qualified workers. It is the employer's responsibility to provide their workers with both the proper fusion equipment and sufficient training to install the fittings correctly and safely. Tapping Tee Trainers do not have cutters. They are only to be used to qualify an installer's adherence to established installation procedures.



(PE2406/PE2708) TAPPING TEE TRAINER w/BUTT OUTLET

Outlet Size	Main Size	Cutter Size & Material	Part Number	Pack. Qty.	Wt.	CSA	IAPMO
¾" IPS	2" IPS	n/a	10000796	60	0.33	-	-
1" CTS	2" IPS	n/a	10001894	100	0.35	-	-
1" CTS	4" IPS	n/a	10001895	100	0.35	-	-
1" IPS	2" IPS	n/a	10001896	100	0.29	-	-
1" IPS	4" IPS	n/a	10001897	100	0.35	-	-

(PE3408/PE4710) TAPPING TEE TRAINER w/BUTT OUTLET

Outlet Size	Main Size	Cutter Size & Material	Part Number	Pack. Qty.	Wt.	AWWA
½" CTS	2" IPS	n/a	10005210	60	0.28	-

(PE2406/PE2708) TAPPING TEE TRAINER w/SOCKET OUTLET

Outlet Size	Main Size	Cutter Size & Material	Part Number	Pack. Qty.	Wt.	CSA	IAPMO
½" CTS	1¼" IPS	n/a	10001885	100	0.35	-	-
½" CTS	2" IPS	n/a	10001886	100	0.35	-	-
½" CTS	4" IPS	n/a	10001900	100	0.35	-	-
1" CTS	2" IPS	n/a	10001892	100	0.31	-	-
1" CTS	4" IPS	n/a	10001893	100	0.35	-	-
1" IPS	2" IPS	n/a	10001887	100	0.32	-	-
1" IPS	4" IPS	n/a	10001888	100	0.35	-	-
1" IPS	6" IPS	n/a	10001889	100	0.35	-	-

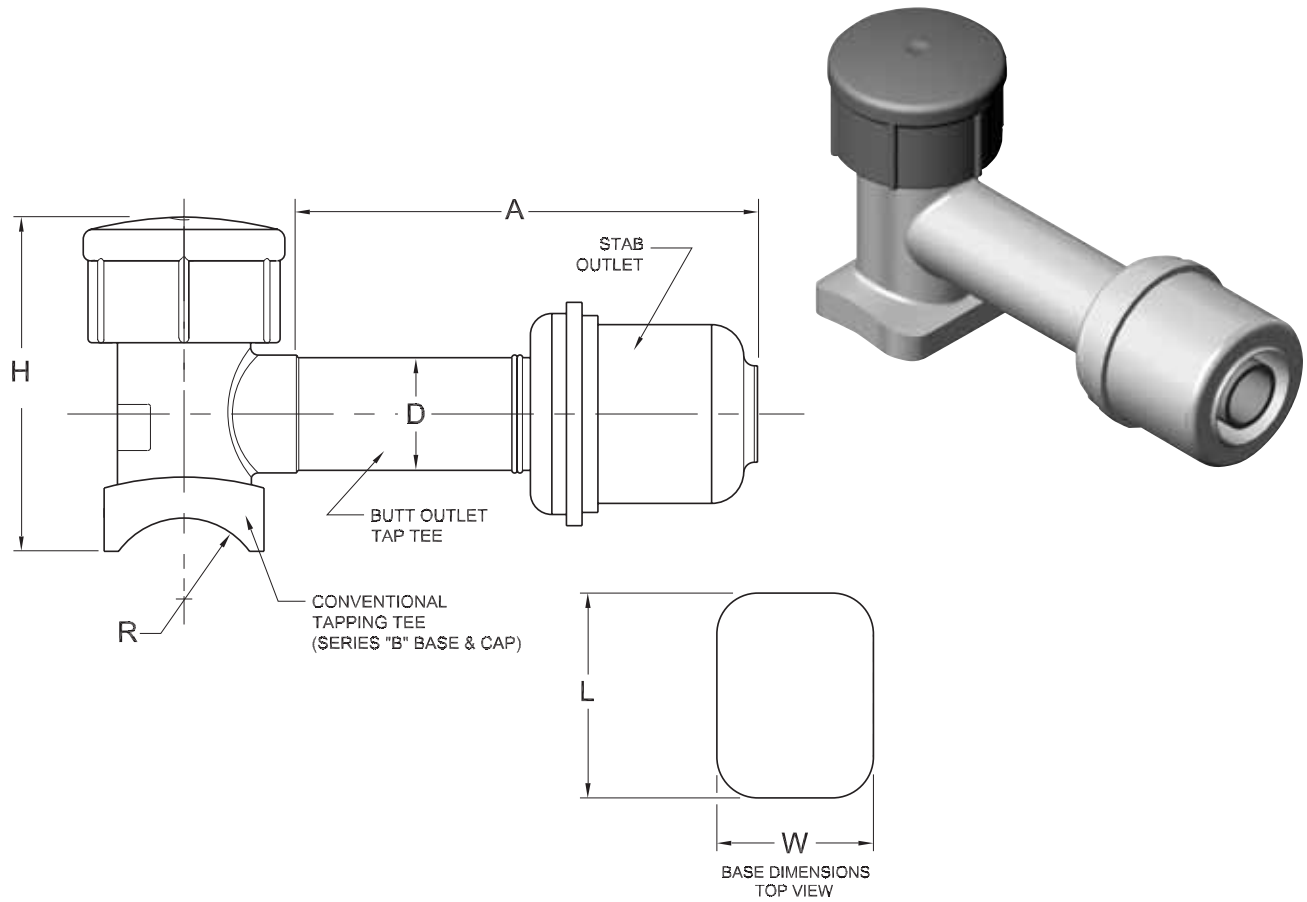
(PE3408/PE4710) TAPPING TEE TRAINER w/SOCKET OUTLET

Outlet Size	Main Size	Cutter Size & Material	Part Number	Pack. Qty.	Wt.	AWWA
1" IPS	2" IPS	n/a	10005189	100	0.35	-
1" IPS	4" IPS	n/a	10005146	100	0.35	-

Call for availability of other sizes and dimensions.

Saddle Fittings: Tapping Tee w/Stab Outlet

Dimensions are the same as the Butt Outlet.

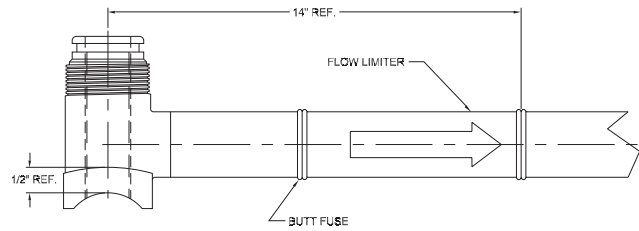
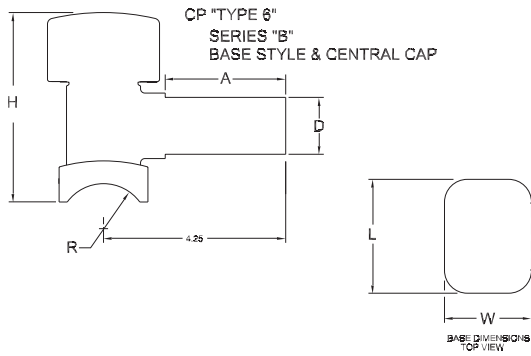
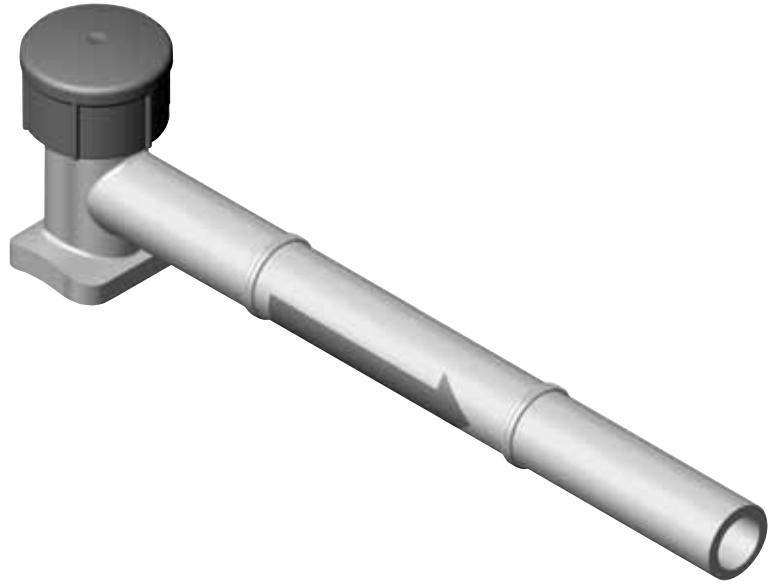


TAPPING TEES w/STAB OUTLET

Main Size	Outlet Size	Cutter Size & Material	Pressure Rating	Part No.	Pack. Qty.	Wt.	CSA	IAPMO	AWWA	FM
<p>GF Central Plastics offers factory-installed stab outlets on our conventional tapping tees. When calling for pricing and availability, please provide the following information: base size, outlet size.</p>										

NOTE: Dimensional Data Available On Request
Call for availability of other sizes and dimensions.

Saddle Fittings: Tapping Tee w/Excess Flow Valve

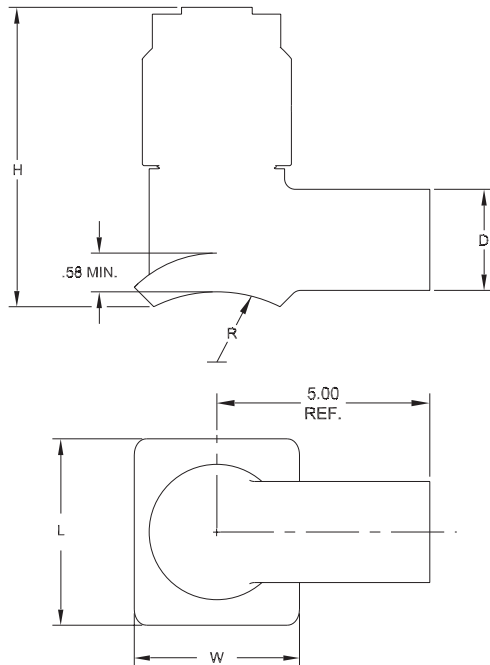


TAPPING TEES w/EXCESS FLOW VALVE

Main Size	Outlet Size	Cutter Size & Material	Pressure Rating	Part No.	Pack. Qty.	Wt.	CSA	IAPMO	AWWA	FM
<p>GF Central Plastics offers factory-installed excess flow valves from most EFV manufacturers on our conventional tapping tees. When calling for pricing and availability, please provide the following information: base size, outlet size, EFV brand and EFV model.</p>										

NOTE: Dimensional Data Available On Request
Call for availability of other sizes and dimensions.

Saddle Fittings: High Volume Tapping Tee w/Square Base



HIGH VOLUME TAPPING TEES DIMENSIONS

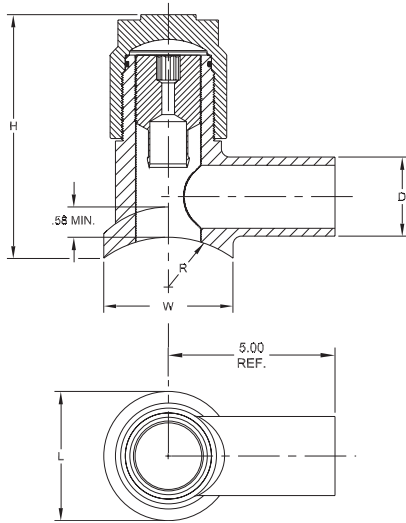
Nominal Outlet Size	H	W	D	L
2" IPS	6.56	3.88	2.37	4.38

(PE2406/PE2708) HIGH VOLUME TAPPING TEES w/SQUARE BASE

Outlet Size	Main Size	Cutter Size & Material	Description	Part Number	Pack. Qty.	Wt.	CSA	
2" IPS	2" IPS	1.5 / Steel	Square Base	6936548	10	3.40	YES	-
2" IPS	3" IPS	1.88 / Steel	Square Base	10009861	10	3.38	YES	Low Torque Cutter
2" IPS	4" IPS	1.88 / Steel	Square Base	10009869	10	2.88	YES	Low Torque Cutter
2" IPS	6" IPS	1.88 / Steel	Square Base	10009875	10	2.85	YES	Low Torque Cutter
2" IPS	8" IPS	1.88 / Steel	Square Base	10009879	10	2.98	YES	Low Torque Cutter
2" IPS	10" IPS	1.88 / Steel	Square Base	call	10	3.03	-	-
2" IPS	12" IPS	1.88 / Steel	Square Base	10009887	10	3.03	-	Low Torque Cutter

Call for availability of other sizes and dimensions.

Saddle Fittings: High Volume Tapping Tee w/Large Round Base



HIGH VOLUME TAPPING TEES DIMENSIONS

Nominal Outlet Size	A	H	W	D	L
2" IPS	*	6.56	3.88	2.37	3.88

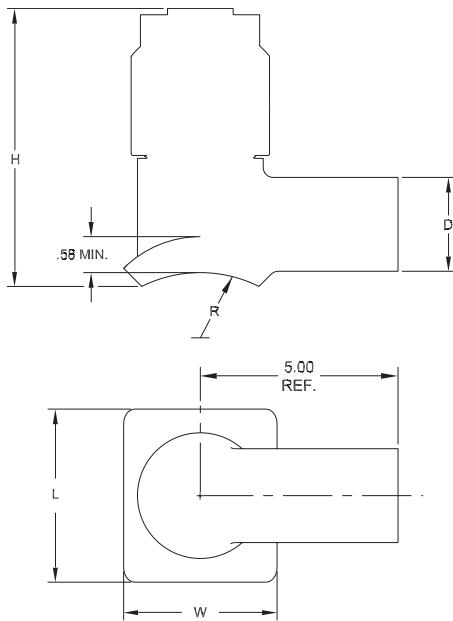
(PE3408/PE4710) HIGH VOLUME TAPPING TEES (SDR 11 OUTLETS)

Outlet Size	Main Size	Cutter Size & Material	Description	Part Number	Pack. Qty.	Wt.	AWWA
2" IPS	2" IPS	1.25/Steel	LG RND BASE	10004897	10	3.50	-
2" IPS	3" IPS	1.88/Steel	LG RND BASE	10009857	10	2.78	-
2" IPS	4" IPS	1.88/Steel	LG RND BASE	10009863	10	2.76	-
2" IPS	6" IPS	1.88/Steel	LG RND BASE	10009872	10	3.50	-
2" IPS	8" IPS	1.88/Steel	LG RND BASE	10009877	10	2.89	-
2" IPS	10" IPS	1.88/Steel	LG RND BASE	10009883	10	3.17	-
2" IPS	12" IPS	1.88/Steel	LG RND BASE	10009884	10	2.88	-
2" IPS	2" IPS	1.8/Stainless	LG RND BASE	call	-	-	-
2" IPS	4" IPS	1.8/Stainless	LG RND BASE	call	-	-	-
2" IPS	6" IPS	1.8/Stainless	LG RND BASE	10009872	-	-	-
2" IPS	8" IPS	1.8/Stainless	LG RND BASE	call	-	-	-
2" IPS	10" IPS	1.8/Stainless	LG RND BASE	10009883	-	-	-
2" IPS	12" IPS	1.8/Stainless	LG RND BASE	call	-	-	-
2" IPS	4" DIPS	1.8/Stainless	LG RND BASE	10004915	10	2.85	YES
2" IPS	6" DIPS	1.8/Stainless	LG RND BASE	10004930	10	2.85	YES
2" IPS	8" DIPS	1.8/Stainless	LG RND BASE	10004946	10	2.85	YES
2" IPS	10" DIPS	1.8/Stainless	LG RND BASE	call	-	-	-
2" IPS	12" DIPS	1.8/Stainless	LG RND BASE	10004889	10	2.85	YES

SDR 9.3 Outlets available on request.

Call for availability of other sizes and dimensions.

Saddle Fittings: High Volume Tapping Tee w/Square Base



HIGH VOLUME TAPPING TEES DIMENSIONS

Nominal Outlet Size	A	H	W	D	L
2" IPS	*	6.56	3.88	2.37	4.38

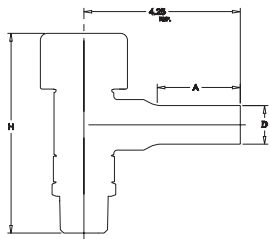
(PE3408/PE4710) HIGH VOLUME TAPPING TEES (SDR 11 OUTLETS)

Outlet Size	Main Size	Cutter Size & Material	Description	Part Number	Pack. Qty.	Wt.	AWWA
2" IPS	2" IPS	1.5/Steel	SQR BASE	10004900	10	3.05	-
2" IPS	3" IPS	1.8/Steel	SQR BASE	10009856	10	2.78	-
2" IPS	4" IPS	1.8/Steel	SQR BASE	10009862	10	2.76	-
2" IPS	6" IPS	1.8/Steel	SQR BASE	10009876	10	3.50	-
2" IPS	8" IPS	1.8/Steel	SQR BASE	call	10	-	-
2" IPS	10" IPS	1.8/Steel	SQR BASE	call	-	-	-
2" IPS	12" IPS	1.8/Steel	SQR BASE	call	-	-	-
2" IPS	4" DIPS	1.8/Stainless	SQR BASE	call	-	-	-
2" IPS	6" DIPS	1.8/Stainless	SQR BASE	10004931	5	3.50	YES
2" IPS	8" DIPS	1.8/Stainless	SQR BASE	call	-	-	-
2" IPS	10" DIPS	1.8/Stainless	SQR BASE	call	-	-	-
2" IPS	12" DIPS	1.8/Stainless	SQR BASE	call	-	-	-

SDR 9.3 Outlets available on request.

Call for availability of other sizes and dimensions.

Saddle Fittings: Cast Iron Tapping Tee w/Brass Threads



CAST IRON TAPPING TEES DIMENSIONS

Nominal Outlet Size	A	H	W	D	L
¾" IPS	2.16	5.43	*	1.05	*
1" CTS	2.25	8.26	*	1.125	*
1" IPS	2.25	8.26	*	1.315	*
1¼" CTS	2.25	8.26	*	1.375	*
1¼" IPS	2.25	8.26	*	1.660	*
2" IPS	2.25	8.26	*	2.375	*

(PE2406/PE2708) CAST IRON TAPPING TEES

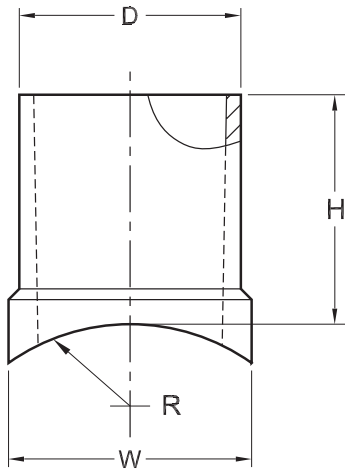
Outlet Size	Tapping Thread Size	Tapping Thread Dia.	Part Number	Pack. Qty.	Wt.	CSA	IAPMO
1" CTS	1" Brass	1.31	6936585	20	1.03	-	-
1" CTS	1¼" Brass	1.66	6936557	20	2.87	-	-
1" CTS	1½" Brass	1.90	10000618	20	2.63	-	-
1¼" IPS	1" Brass	1.31	6936556	20	1.03	-	-
1¼" IPS	1¼" Brass	1.66	6936558	20	2.50	-	-
1¼" IPS	2" Brass	2.37	6936586	20	3.31	-	-

(PE3408/PE4710) CAST IRON TAPPING TEES

Outlet Size	Tapping Thread Size	Tapping Thread Dia.	Part Number	Pack. Qty.	Wt.	AWWA
1" CTS	1¼" Brass	1.66	10005417	20	2.38	-
1" CTS	2" Brass	2.37	10005420	20	3.20	-
1" IPS	1" Brass	1.31	10005416	20	1.03	-
1¼" CTS	1½" Brass	1.90	10005419	20	2.63	-
1¼" CTS	2" Brass	2.37	10005421	20	3.31	-
1¼" IPS	1¼" Brass	1.66	10005418	20	2.38	-

Call for availability of other sizes and dimensions.

Saddle Fittings: Round Base Branch Saddles



ROUND BASE BRANCH SADDLES DIMENSIONS

Nominal Outlet Size	H	W	D	L
2" IPS Butt	3.00	2.63	2.37	*
3" IPS Butt	4.00	3.88	3.50	*
4" IPS Butt	4.00	4.80	4.50	*
6" IPS Butt	5.13	6.81	6.62	*
8" IPS Butt	7.97	9.00	8.62	*
12" IPS Butt	9.47	13.35	12.75	*

Fittings are standard sizes.

Call for availability of other sizes and dimensions.

(PE2406/PE2708) IPS x IPS ROUND BASE BRANCH SADDLES

Outlet Size	Main Size	SDR	Part Number	Pack. Qty.	Wt.	CSA	IAPMO
2" IPS	2" IPS	DR 11	6920344	30	0.23	-	-
2" IPS	3" IPS	DR 11	6920330	30	0.21	-	-
2" IPS	4" IPS	DR 11	6920342	30	0.20	-	-
2" IPS	6" IPS	DR 11	6920337	30	0.26	-	-
2" IPS	8" IPS	DR 11	6920407	30	0.26	-	-
2" IPS	10" IPS	DR 11	6921046	30	0.25	-	-
2" IPS	12" IPS	DR 11	6920689	30	0.26	-	-
3" IPS	3" IPS	DR 11	6920398	18	0.94	-	-
3" IPS	4" IPS	DR 11	692040320000	18	0.55	-	-
3" IPS	6" IPS	DR 11	692060320000	18	0.70	-	-
3" IPS	8" IPS	DR 11	call	-	-	-	-
3" IPS	10" IPS	DR 11	call	-	-	-	-
3" IPS	12" IPS	DR 11	6930912	18	0.62	-	-
4" IPS	4" IPS	DR 11	6920343	10	1.20	-	-
4" IPS	6" IPS	DR 11	692060420000	10	1.06	-	-
4" IPS	8" IPS	DR 11	6920211	10	1.88	-	-
4" IPS	10" IPS	DR 11	call	-	-	-	-
4" IPS	12" IPS	DR 11	6920690	10	1.00	-	-
6" IPS	8" IPS	DR 11 / 11.5	10000301	5	1.88	-	-
6" IPS	10" IPS	DR 11	call	-	-	-	-
6" IPS	12" IPS	DR 11	6920913	5	2.90	-	-

Saddle Fittings: Round Base Branch Saddles

(PE3408/PE4710) IPS x IPS ROUND BASE BRANCH SADDLES

Outlet Size	Main Size	SDR	Part Number	Pack. Qty.	Wt.	AWWA
2" IPS	2" IPS	DR 11	10004876	30	0.27	YES
2" IPS	3" IPS	DR 11	10005086	30	0.27	YES
2" IPS	4" IPS	DR 17	10005096	30	0.19	YES
2" IPS	4" IPS	DR 11	10005094	30	0.25	YES
2" IPS	6" IPS	DR 11	10005102	30	0.21	YES
2" IPS	6" IPS	DR 9.3	10004880	30	0.21	YES
2" IPS	8" IPS	DR 11	10005108	30	0.20	YES
2" IPS	8" IPS	DR 9.3	10005110	30	0.23	YES
2" IPS	10" IPS	DR 11	10005025	30	0.20	YES
2" IPS	12" IPS	DR 11	10005037	30	0.20	YES
2" IPS	14" IPS	DR 11	10005045	30	0.19	YES
2" IPS	16" IPS	DR 11	10005054	30	0.21	YES
2" IPS	18" IPS	DR 11	10005064	30	0.21	YES
2" IPS	18" IPS	DR 9.3	10005065	30	0.21	YES

(PE3408/PE4710) IPS x IPS ROUND BASE BRANCH SADDLES

Outlet Size	Main Size	SDR	Part Number	Pack. Qty.	Wt.	AWWA
2" IPS	20" IPS	DR 11	call	-	-	-
2" IPS	22" IPS	DR 11	call	-	-	-
2" IPS	24" IPS	DR 11	10005079	30	0.20	YES
2" IPS	30" IPS	DR 11	call	-	-	-
2" IPS	36" IPS	DR 11	call	-	-	-
2" IPS	42" IPS	DR 11	call	-	-	-
2" IPS	48" IPS	DR 11	call	-	-	-
3" IPS	4" IPS	DR 11	10004878	10	0.54	YES
3" IPS	6" IPS	DR 11	10005103	10	0.65	YES
3" IPS	8" IPS	DR 11	10005111	18	0.53	YES
3" IPS	10" IPS	DR 17	10005028	10	0.67	YES
3" IPS	10" IPS	DR 11	10005027	10	0.65	YES
3" IPS	12" IPS	DR 17	10005040	10	0.67	YES
3" IPS	12" IPS	DR 11	10005039	18	0.66	YES
3" IPS	14" IPS	DR 11	10005046	10	0.69	YES
3" IPS	16" IPS	DR 11	10005055	10	0.70	YES
3" IPS	18" IPS	DR 11	10005066	10	0.60	YES
3" IPS	20" IPS	DR 11	10005073	10	0.70	YES
3" IPS	22" IPS	DR 11	call	-	-	-
3" IPS	24" IPS	DR 11	10005080	10	0.70	YES
3" IPS	30" IPS	DR 11	call	-	-	-
3" IPS	36" IPS	DR 9.3	call	-	-	-
3" IPS	42" IPS	DR 11	call	-	-	-
3" IPS	48" IPS	DR 11	call	-	-	-
4" IPS	4" IPS	DR 9.3	10004879	10	0.85	YES
4" IPS	6" IPS	DR 11	10005104	10	0.95	YES
4" IPS	8" IPS	DR 11	10005112	10	0.90	YES
4" IPS	8" IPS	DR 17	10005113	10	0.96	YES
4" IPS	10" IPS	DR 11	10005029	10	0.88	YES
4" IPS	12" IPS	DR 11	10005041	10	1.27	YES

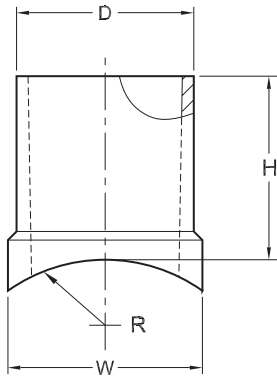
Saddle Fittings: Round Base Branch Saddles

(PE3408/PE4710) IPS x IPS ROUND BASE BRANCH SADDLES

Outlet Size	Main Size	SDR	Part Number	Pack. Qty.	Wt.	AWWA
4" IPS	14" IPS	DR 11	10005047	10	1.03	YES
4" IPS	16" IPS	DR 11	10005056	10	1.17	YES
4" IPS	16" IPS	DR 9.3	10005057	10	1.54	YES
4" IPS	18" IPS	DR 11	10005067	10	1.05	YES
4" IPS	20" IPS	DR 11	10005074	10	1.00	YES
4" IPS	22" IPS	DR 11	call	-	-	-
4" IPS	24" IPS	DR 11	10005081	10	2.00	YES
4" IPS	30" IPS	DR 11	10005088	10	2.00	YES
4" IPS	36" IPS	DR 11	10005091	10	2.24	YES
4" IPS	42" IPS	DR 11	call	-	-	-
4" IPS	48" IPS	DR 11	10005098	-	-	-
6" IPS	8" IPS	DR 17	10005114	5	3.00	YES
6" IPS	8" IPS	DR 11	10004881	5	3.54	YES
6" IPS	10" IPS	DR 17	10005031	5	3.00	YES
6" IPS	10" IPS	DR 11	10005030	5	3.05	YES
6" IPS	12" IPS	DR 11	10005042	5	2.96	YES
6" IPS	14" IPS	DR 17	10005049	5	2.92	YES
6" IPS	14" IPS	DR 11	10005048	5	3.20	YES
6" IPS	16" IPS	DR 17	10005059	5	3.08	YES
6" IPS	16" IPS	DR 11	10005058	5	2.88	YES
6" IPS	18" IPS	DR 11	10005068	5	2.85	YES
6" IPS	20" IPS	DR 11	10005075	5	3.00	YES
6" IPS	22" IPS	DR 11	10005077	5	2.99	YES
6" IPS	24" IPS	DR 11	10005082	5	2.99	YES
6" IPS	30" IPS	DR 11	10005089	5	2.99	YES
6" IPS	36" IPS	DR 11	10005092	-	-	-
6" IPS	42" IPS	DR 11	call	-	-	-
6" IPS	48" IPS	DR 11	10005099	-	-	-
8" IPS	10" IPS	DR 11	10005032	5	7.21	YES
8" IPS	12" IPS	DR 11	10005043	5	8.20	YES

Call for availability of other sizes and dimensions.

Saddle Fittings: Round Base Branch Saddles



ROUND BASE BRANCH SADDLES DIMENSIONS

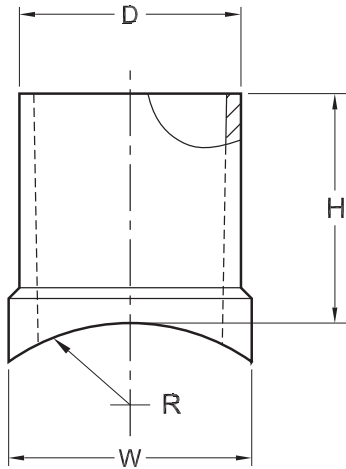
Nominal Outlet Size	H	W	D	L
8" IPS Butt	7.97	9.00	8.62	*
12" IPS Butt	9.47	13.35	12.75	*

(PE3408/PE4710) IPS x IPS ROUND BASE BRANCH SADDLES

Outlet Size	Main Size	Pressure Rating	Part Number	Pack. Qty.	Wt.	AWWA
8" IPS	12" IPS	DR 9	10005044	5	9.14	YES
8" IPS	14" IPS	DR 11	10005050	5	7.36	YES
8" IPS	16" IPS	DR 11	10005060	5	7.89	YES
8" IPS	18" IPS	DR 11	10005069	5	7.70	YES
8" IPS	20" IPS	DR 11	10005076	5	7.08	YES
8" IPS	22" IPS	DR 11	call	-	-	-
8" IPS	24" IPS	DR 11	10005083	5	7.30	YES
8" IPS	30" IPS	DR 11	call	-	-	-
8" IPS	36" IPS	DR 11	10005093	5	7.60	YES
8" IPS	42" IPS	DR 11	call	-	-	-
8" IPS	48" IPS	DR 11	10005100	-	-	-
12" IPS	14" IPS	DR 11	call	-	-	-
12" IPS	16" IPS	DR 11	10005053	-	-	-
12" IPS	18" IPS	DR 11	10005063	1	9.86	YES
12" IPS	20" IPS	DR 11	10005072	1	10.01	YES
12" IPS	22" IPS	DR 11	call	-	-	-
12" IPS	24" IPS	DR 11	10005078	-	-	-
12" IPS	30" IPS	DR 11	call	-	-	-
12" IPS	36" IPS	DR 11	10005090	-	-	-
12" IPS	42" IPS	DR 11	call	-	-	-
12" IPS	48" IPS	DR 11	10005097	-	-	-

Call for availability of other sizes and dimensions.

Saddle Fittings: Round Base Branch Saddles (DIPS)



Nominal Outlet Size	H	W	D	L
2" IPS Butt	3.00	2.63	2.37	*
3" IPS Butt	4.00	3.88	3.50	*
4" IPS Butt	4.00	4.80	4.50	*
6" IPS Butt	5.13	6.81	6.62	*
8" IPS Butt	7.97	9.00	8.62	*

PE3408/PE4710 IPS x DIPS ROUND BASE BRANCH SADDLES

Outlet Size	Main Size	SDR	Part Number	Pack. Qty.	Wt.	AWWA
2" IPS	4" DIPS	DR 11	call	-	-	-
2" IPS	6" DIPS	DR 11	call	-	-	-
2" IPS	8" DIPS	DR 11	call	-	-	-
2" IPS	10" DIPS	DR 11	call	-	-	-
2" IPS	12" DIPS	DR 11	10005033	30	0.24	YES
2" IPS	14" DIPS	DR 11	call	-	-	-
2" IPS	16" DIPS	DR 11	call	-	-	-
2" IPS	18" DIPS	DR 11	call	-	-	-
2" IPS	20" DIPS	DR 11	call	-	-	-
2" IPS	22" DIPS	DR 11	call	-	-	-
2" IPS	24" DIPS	DR 11	call	-	-	-
3" IPS	4" DIPS	DR 11	call	-	-	-
3" IPS	6" DIPS	DR 11	call	-	-	-
3" IPS	8" DIPS	DR 11	call	-	-	-
3" IPS	10" DIPS	DR 11	10005021	10	0.66	YES
3" IPS	12" DIPS	DR 11	call	-	-	-
3" IPS	14" DIPS	DR 11	call	-	-	-
3" IPS	16" DIPS	DR 11	call	-	-	-
3" IPS	18" DIPS	DR 11	call	-	-	-
3" IPS	20" DIPS	DR 11	call	-	-	-
3" IPS	22" DIPS	DR 11	call	-	-	-
3" IPS	24" DIPS	DR 11	call	-	-	-

Fittings are standard sizes.
Call for availability of other sizes and dimensions.

Saddle Fittings: Round Base Branch Saddles (DIPS)

PE3408/PE4710 IPS x DIPS ROUND BASE BRANCH SADDLES

Outlet Size	Main Size	SDR	Part Number	Pack. Qty.	Wt.	AWWA
4" IPS	6" DIPS	DR 11	10005101	-	-	-
4" IPS	8" DIPS	DR 11	10005106	-	-	-
4" IPS	10" DIPS	DR 11	10005022	10	0.88	YES
4" IPS	12" DIPS	DR 11	10005034	10	1.27	YES
4" IPS	14" DIPS	DR 11	call	-	-	-
4" IPS	16" DIPS	DR 11	call	-	-	-
4" IPS	18" DIPS	DR 11	call	-	-	-
4" IPS	20" DIPS	DR 11	call	-	-	-
4" IPS	22" DIPS	DR 11	call	-	-	-
4" IPS	24" DIPS	DR 11	call	-	-	-
6" IPS	8" DIPS	DR 11	10005107	-	-	-
6" IPS	10" DIPS	DR 11	10005023	-	-	-
6" IPS	12" DIPS	DR 11	10005035	5	2.96	YES
6" IPS	14" DIPS	DR 11	call	-	-	-
6" IPS	16" DIPS	DR 11	10005051	-	-	-
6" IPS	18" DIPS	DR 11	10005061	-	-	YES
6" IPS	20" DIPS	DR 11	10005070	-	-	-
6" IPS	22" DIPS	DR 11	call	-	-	-
6" IPS	24" DIPS	DR 11	call	-	-	-
8" IPS	10" DIPS	DR 11	10005024	-	-	-
8" IPS	12" DIPS	DR 11	10005036	5	8.20	YES
8" IPS	14" DIPS	DR 11	call	-	-	-
8" IPS	16" DIPS	DR 11	10005052	-	-	-
8" IPS	18" DIPS	DR 11	10005062	-	-	-
8" IPS	20" DIPS	DR 11	10005071	-	-	-
8" IPS	22" DIPS	DR 11	call	-	-	-
8" IPS	24" DIPS	DR 11	call	-	-	-
10" IPS	12" DIPS	DR 11	call	-	-	-
10" IPS	14" DIPS	DR 11	call	-	-	-
10" IPS	16" DIPS	DR 11	call	-	-	-
10" IPS	18" DIPS	DR 11	call	-	-	-
10" IPS	20" DIPS	DR 11	call	-	-	-
10" IPS	22" DIPS	DR 11	call	-	-	-
10" IPS	24" DIPS	DR 11	call	-	-	-
12" IPS	12" DIPS	DR 11	call	-	-	-
12" IPS	14" DIPS	DR 11	call	-	-	-
12" IPS	16" DIPS	DR 11	call	-	-	-
12" IPS	18" DIPS	DR 11	call	-	-	-
12" IPS	20" DIPS	DR 11	call	-	-	-
12" IPS	22" DIPS	DR 11	call	-	-	-
12" IPS	24" DIPS	DR 11	call	-	-	-

Call for availability of other sizes and dimensions.

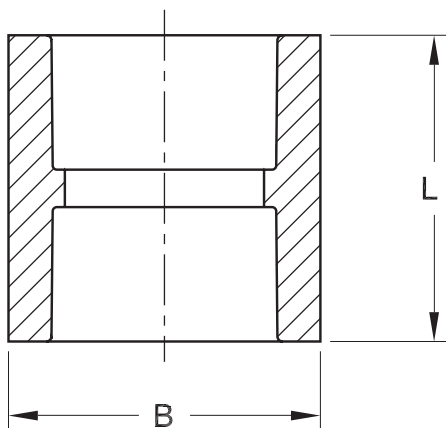
Saddle Fittings: Round Base Branch Saddles

PE3408/PE4710 DIPS x DIPS ROUND BASE BRANCH SADDLES

Outlet Size	Main Size	SDR	Part Number	Pack. Qty.	Wt.	AWWA
4" DIPS	6" DIPS	DR 11	call	-	-	-
4" DIPS	8" DIPS	DR 11	call	-	-	-
4" DIPS	10" DIPS	DR 11	call	-	-	-
4" DIPS	12" DIPS	DR 11	call	-	-	-
4" DIPS	14" DIPS	DR 11	call	-	-	-
4" DIPS	16" DIPS	DR 11	call	-	-	-
4" DIPS	18" DIPS	DR 11	call	-	-	-
4" DIPS	20" DIPS	DR 11	call	-	-	-
4" DIPS	22" DIPS	DR 11	call	-	-	-
4" DIPS	24" DIPS	DR 11	call	-	-	-
6" DIPS	8" DIPS	DR 11	call	-	-	-
6" DIPS	10" DIPS	DR 11	call	-	-	-
6" DIPS	12" DIPS	DR 11	call	-	-	-
6" DIPS	14" DIPS	DR 11	call	-	-	-
6" DIPS	16" DIPS	DR 11	call	-	-	-
6" DIPS	18" DIPS	DR 11	call	-	-	-
6" DIPS	20" DIPS	DR 11	call	-	-	-
6" DIPS	22" DIPS	DR 11	call	-	-	-
6" DIPS	24" DIPS	DR 11	call	-	-	-
8" DIPS	10" DIPS	DR 11	call	-	-	-
8" DIPS	12" DIPS	DR 11	call	-	-	-
8" DIPS	14" DIPS	DR 11	call	-	-	-
8" DIPS	16" DIPS	DR 11	call	-	-	-
8" DIPS	18" DIPS	DR 11	call	-	-	-
8" DIPS	20" DIPS	DR 11	call	-	-	-
8" DIPS	22" DIPS	DR 11	call	-	-	-
8" DIPS	24" DIPS	DR 11	call	-	-	-
10" DIPS	12" DIPS	DR 11	call	-	-	-
10" DIPS	14" DIPS	DR 11	call	-	-	-
10" DIPS	16" DIPS	DR 11	call	-	-	-
10" DIPS	18" DIPS	DR 11	call	-	-	-
10" DIPS	20" DIPS	DR 11	call	-	-	-
10" DIPS	22" DIPS	DR 11	call	-	-	-
10" DIPS	24" DIPS	DR 11	call	-	-	-
12" DIPS	14" DIPS	DR 11	call	-	-	-
12" DIPS	16" DIPS	DR 11	call	-	-	-
12" DIPS	18" DIPS	DR 11	call	-	-	-
12" DIPS	20" DIPS	DR 11	call	-	-	-
12" DIPS	22" DIPS	DR 11	call	-	-	-
12" DIPS	24" DIPS	DR 11	call	-	-	-

Call for availability of other sizes and dimensions.

Socket Fittings: Couplings



SOCKET COUPLING DIMENSIONS

Nominal Size	A	B	L
½" CTS	-	1.08	2.19
½" IPS	-	1.20	2.19
¾" CTS	-	1.21	2.19
¾" IPS	-	1.46	2.19
1" CTS	-	1.46	2.20
1" IPS	-	1.82	2.19
1¼" IPS	-	2.27	2.19
1½" IPS	-	2.55	2.18
2" IPS	-	3.27	2.36
2" IPS SIDR 9	-	3.27	2.30
3" IPS	-	5.07	2.81
4" IPS	-	6.48	3.18

Call for availability of other sizes and dimensions.

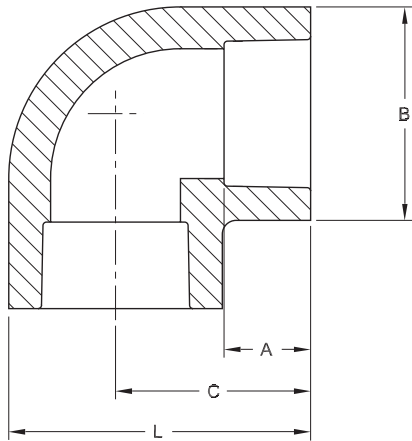
(PE2406/PE2708) SOCKET COUPLINGS

Main Size	Part Number	Pack. Qty.	Wt.	CSA	IAPMO
½" CTS	6900415	100	0.05	YES	-
½" IPS	6900507	100	0.05	YES	-
¾" IPS	6900418	100	0.21	YES	-
1" CTS	690111120000	100	0.06	YES	YES
1" IPS	690010120000	100	0.10	YES	YES
1¼" IPS	690121220000	100	0.15	YES	YES
1½" IPS	690151520000	100	0.20	YES	-
2" IPS	690020220000	100	0.34	YES	YES
3" IPS	690030320000	10	1.13	YES	YES
4" IPS	690040420000	10	2.02	YES	YES

(PE3408/PE4710) SOCKET COUPLINGS

Main Size	Part Number	Pack. Qty.	Wt.	AWWA
½" CTS	10005880	100	0.06	YES
½" IPS	10005378	100	0.06	YES
¾" IPS	10005379	100	0.07	YES
1" CTS	10005380	100	0.06	YES
1" IPS	10005381	100	0.11	YES
1¼" IPS	10005382	100	0.15	YES
1½" IPS	10005383	100	0.19	YES
2" IPS	10005384	100	0.34	YES
3" IPS	10005385	10	1.17	YES
4" IPS	10005386	10	1.96	YES

Socket Fittings: Elbows



SOCKET ELBOW DIMENSIONS

Nominal Size	A	B	C	L
½" CTS	.66	1.18	1.31	1.90
½" IPS	.66	1.20	1.31	1.91
¾" IPS	.75	1.50	1.63	2.38
1" CTS	.77	1.50	1.63	2.38
1" IPS	.77	1.83	1.69	2.61
1¼" IPS	.95	2.27	2.09	3.23
1½" IPS	.98	2.63	2.33	3.65
2" IPS	1.00	3.28	2.73	4.37
3" IPS	1.17	5.21	4.13	6.74
4" IPS	1.34	6.40	5.50	8.70

Call for availability of other sizes and dimensions.

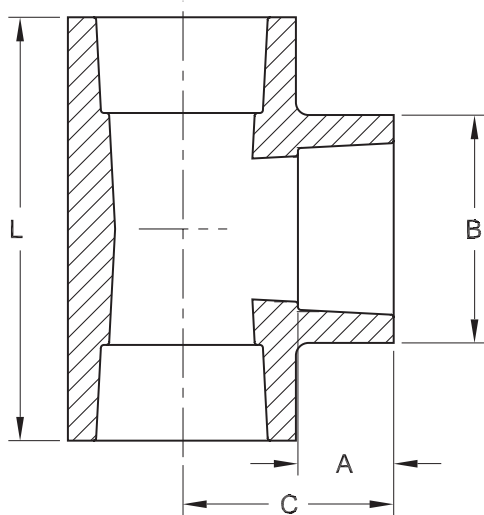
(PE2406/PE2708) SOCKET ELBOWS

Main Size	Part Number	Pack. Qty.	Wt.	CSA	IAPMO
½" CTS	690626223000	100	0.08	-	YES
½" IPS	690505023000	100	0.06	YES	YES
¾" IPS	690757523000	100	0.11	YES	YES
1" CTS	690111123000	100	0.11	-	YES
1" IPS	690010123000	60	0.16	YES	YES
1¼" IPS	690121223000	100	0.27	YES	YES
1½" IPS	690151523000	70	0.40	-	YES
2" IPS	690020223000	50	0.71	YES	YES
3" IPS	690030323000	8	3.36	YES	YES
4" IPS	690040423000	8	6.18	YES	YES

(PE3408/PE4710) SOCKET ELBOWS

Main Size	Part Number	Pack. Qty.	Wt.	AWWA
½" CTS	10005356	100	0.08	YES
½" IPS	10005357	100	0.06	YES
¾" IPS	10005358	100	0.11	YES
1" CTS	10005360	100	0.10	YES
1" IPS	10005361	60	0.16	YES
1¼" IPS	10005363	100	0.27	YES
1½" IPS	10005365	70	0.41	YES
2" IPS	10005366	50	0.73	YES
3" IPS	10005367	8	3.29	YES
4" IPS	10005368	8	6.25	YES

Socket Fittings: Tees



SOCKET TEE DIMENSIONS

Nominal Size	A	B	C	L
½" CTS	0.63	1.17	1.31	2.63
½" IPS	0.64	1.19	1.31	2.66
¾" IPS	0.73	1.49	1.63	3.25
1" CTS	0.91	1.50	1.63	3.26
1" IPS	0.75	1.84	1.69	3.41
1¼" IPS	0.98	2.30	2.10	4.22
1½" IPS	0.97	2.65	2.34	4.67
2" IPS	0.97	3.26	2.78	5.40
3" IPS	1.19	5.25	4.20	8.28
4" IPS	1.33	6.52	5.64	11.14

Call for availability of other sizes and dimensions.

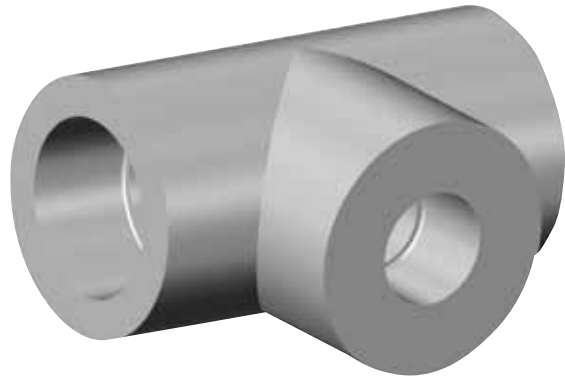
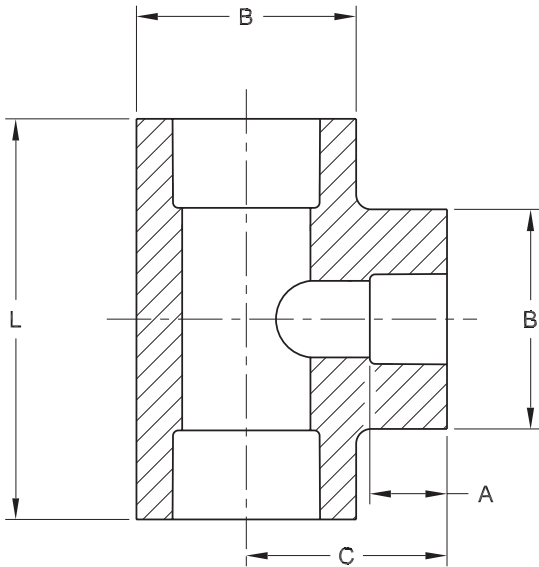
(PE2406/PE2708) SOCKET TEES

Main Size	Part Number	Pack. Qty.	Wt.	CSA	IAPMO
½" CTS	690626224000	100	0.10	YES	YES
½" IPS	690505024000	100	0.07	YES	YES
¾" IPS	690757524000	100	0.14	YES	YES
1" CTS	690111124000	100	0.13	-	YES
1" IPS	690010124000	100	0.21	YES	YES
1¼" IPS	690121224000	100	0.37	YES	YES
1½" IPS	690151524000	40	0.63	-	YES
2" IPS	690020224000	30	0.98	YES	YES
3" IPS	690030324000	8	4.06	YES	YES
4" IPS	690040424000	4	8.57	YES	YES

(PE3408/PE4710) SOCKET TEES

Main Size	Part Number	Pack. Qty.	Wt.	AWWA
½" CTS	10005404	100	0.09	YES
½" IPS	10005405	100	0.09	YES
¾" IPS	10005407	100	0.14	YES
1" CTS	10005408	100	0.13	YES
1" IPS	10005410	100	0.21	YES
1¼" IPS	10005411	100	0.38	YES
1½" IPS	10005413	40	0.55	YES
2" IPS	10005414	30	0.99	YES
3" IPS	10005415	8	4.08	YES
4" IPS	call	-	-	-

Socket Fittings: Reducing Tees



SOCKET REDUCING TEE DIMENSIONS

Nominal Size	A	B	C	L
3/4" x 3/4" x 1/2"	0.65	1.50	1.63	3.25
1" x 1" x 1/2"	0.65	1.85	1.69	3.38
1" x 1" x 3/4"	0.65	1.85	1.80	3.38

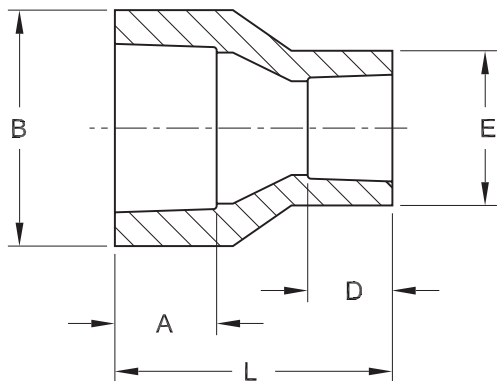
(PE2406/PE2708) SOCKET REDUCING TEES

Main Size	Part Number	Pack. Qty.	Wt.	CSA	IAPMO
3/4" x 3/4" x 1/2"	6900421	-	-	-	-
1" x 1" x 1/2"	6900503	100	0.26	-	-
1" x 1" x 3/4"	6900560	100	0.25	-	-

(PE 3408/PE4710) SOCKET REDUCING TEES

Main Size	Part Number	Pack. Qty.	Wt.	AWWA
3/4" x 3/4" x 1/2"	10005406	100	0.21	YES
1" x 1" x 1/2"	10005409	100	0.26	YES
1" x 1" x 3/4"	call	-	-	-
1 1/4" x 3/4" x 3/4"	10009820	-	-	YES
1 1/4" x 1" x 1"	10009821	-	-	YES
1 1/4" x 1 1/4" x 3/4"	10009818	-	-	YES
1 1/4" x 1 1/4" x 1"	10009819	-	-	YES
1 1/2" x 3/4" x 3/4"	10009823	-	-	YES
1 1/2" x 1 1/2" x 3/4"	10009822	-	-	YES
1 1/2" x 1 1/4" x 1 1/4"	10009824	-	-	YES
2" x 1 1/4" x 1 1/4"	10009828	-	-	YES
2" x 2" x 3/4"	10009825	-	-	YES
2" x 2" x 1"	10009826	-	-	YES
2" x 2" x 1 1/4"	10009827	-	-	YES

Socket Fittings: Reducers



SOCKET REDUCER DIMENSIONS

Nominal Size	A	B	D	E	L
1/2" IPS x 1/2" CTS	0.65	1.23	0.64	1.09	1.83
3/4" CTS x 1/2" CTS	0.64	1.23	0.65	1.08	1.84
3/4" IPS x 1/2" CTS	0.71	1.46	0.64	1.08	1.85
3/4" IPS x 1/2" IPS	0.73	1.45	0.64	1.20	1.84
1" CTS x 1/2" CTS	0.74	1.45	0.64	1.07	1.85
1" CTS x 1/2" IPS	0.76	1.45	0.64	1.20	1.84
1" CTS x 3/4" CTS	0.68	1.45	0.68	1.18	1.85
1" CTS x 3/4" IPS	0.79	1.45	0.98	1.44	2.19
1" IPS x 1/2" CTS	0.76	1.82	0.63	1.16	2.09
1" IPS x 1/2" IPS	0.78	1.83	0.65	1.21	2.16
1" IPS x 3/4" IPS	0.75	1.83	0.68	1.46	1.98
1" IPS x 1" CTS	0.74	1.82	0.69	1.46	1.98
1 1/4" IPS x 1/2" IPS	0.94	2.26	0.65	1.21	2.37
1 1/4" IPS x 3/4" IPS	1.00	2.26	0.72	1.46	2.18

SOCKET REDUCER DIMENSIONS

Size	A	B	D	E	L
1 1/4" IPS x 1" CTS	1.02	2.25	.75	1.47	2.18
1 1/4" IPS x 1" IPS	0.96	2.26	.81	1.83	2.27
1 1/2" IPS x 3/4" IPS	0.96	2.56	.74	1.46	2.16
1 1/2" IPS x 1" CTS	0.96	2.56	.87	1.46	2.16
1 1/2" IPS x 1" IPS	0.96	2.56	.77	1.84	2.15
1 1/2" IPS x 1 1/4" IPS	0.97	2.56	.95	2.30	2.16
2" IPS x 1" IPS	0.99	3.27	.76	1.83	2.52
2" IPS x 1 1/4" IPS	1.00	3.28	.96	2.28	2.55
2" IPS x 1 1/2" IPS	0.99	3.27	.97	2.55	2.56
3" IPS x 2" IPS	1.19	5.04	.98	3.50	3.18
4" IPS x 2" IPS	1.29	6.48	.97	3.54	4.14
4" IPS x 3" IPS	1.29	6.41	1.17	5.00	4.48

(PE2406/PE2708) SOCKET REDUCERS

Size	Part Number	Pack. Qty.	Wt.	CSA	IAPMO
1/2" IPS x 1/2" CTS	6900003	100	0.05	-	YES
3/4" CTS x 1/2" CTS	6900556	100	0.05	-	-
3/4" IPS x 1/2" CTS	690756221000	100	0.06	YES	YES
3/4" IPS x 1/2" IPS	690755021000	100	0.05	-	YES
1" CTS x 1/2" CTS	6900002	100	0.05	-	YES
1" CTS x 3/4" IPS	6900037	100	0.06	-	YES
1" IPS x 1/2" CTS	690016221000	100	0.09	YES	YES
1" IPS x 1/2" IPS	690015021000	100	0.08	-	YES
1" IPS x 3/4" IPS	690017521000	100	0.08	YES	YES
1" IPS x 1" CTS	690011121000	100	0.09	YES	YES
1 1/4" IPS x 1/2" CTS	6900578	25	0.17	-	-
1 1/4" IPS x 1/2" IPS	6900047	100	0.13	-	YES

Call for availability of other sizes and dimensions.

Socket Fittings: Reducers



(PE2406/PE2708) SOCKET REDUCERS

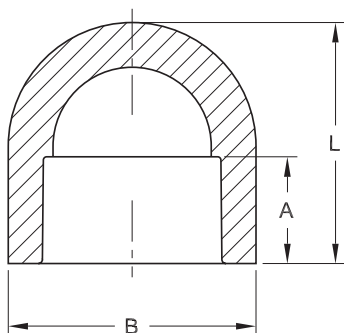
Size	Part Number	Pack. Qty.	Wt.	CSA	IAPMO
1¼" CTS × 1" CTS	6900579	100	0.12	-	-
1¼" IPS × ¾" IPS	690127521000	100	0.12	YES	YES
1¼" IPS × 1" CTS	6900019	100	0.14	YES	YES
1¼" IPS × 1" IPS	690120121000	100	0.14	YES	YES
1½" IPS × ¾" IPS	6900007	100	0.14	-	YES
1½" IPS × 1" IPS	6900021	100	0.15	-	YES
1½" IPS × 1¼" IPS	6900008	100	0.17	-	YES
2" IPS × 1" CTS	6900554	30	0.41	-	-
2" IPS × 1" IPS	6900020	100	0.26	-	YES
2" IPS × 1¼" IPS	690021221000	100	0.30	YES	YES
2" IPS × 1½" IPS	690021521000	100	0.30	YES	YES
3" IPS × 2" IPS	690030221000	10	1.04	YES	YES
4" IPS × 2" IPS	690040221000	10	1.90	YES	YES
4" IPS × 3" IPS	690040321000	5	2.38	YES	YES

(PE3408/PE4710) SOCKET REDUCERS

Size	Part Number	Pack. Qty.	Wt.	AWWA
½" IPS × ½" CTS	10005387	100	0.05	YES
¾" IPS × ½" CTS	10005388	100	0.05	YES
1" CTS × ½" CTS	10005389	100	0.05	YES
1" CTS × ¾" IPS	10005390	100	0.07	YES
1" IPS × ½" IPS	10005391	100	0.08	YES
1" IPS × ¾" IPS	10005392	100	0.08	YES
1¼" CTS × 1" CTS	10005393	100	0.14	YES
1¼" IPS × ¾" IPS	10005394	100	0.13	YES
1¼" IPS × 1" IPS	10005395	100	0.15	YES
1½" IPS × 1" IPS	10005396	100	0.15	YES
1½" IPS × 1¼" IPS	10005397	100	0.18	YES
2" IPS × 1" IPS	10005398	100	0.27	YES
2" IPS × 1¼" IPS	10005399	100	0.29	YES
2" IPS × 1½" IPS	10005400	100	0.30	YES
3" IPS × 2" IPS	10005401	10	1.01	YES
4" IPS × 2" IPS	10005402	10	1.88	YES
4" IPS × 3" IPS	10005403	5	2.23	YES

Call for availability of other sizes and dimensions.

Socket Fittings: End Caps



SOCKET END CAP DIMENSIONS

Nominal Size	A	B	L
½" CTS	0.67	1.09	1.32
½" IPS	0.66	1.23	1.37
¾" IPS	0.74	1.45	1.56
1" CTS	0.98	1.46	1.82
1" IPS	0.78	1.83	1.78
1¼" IPS	0.98	2.28	2.23
1½" IPS	0.98	2.55	2.00
2" IPS	0.99	3.28	2.23
3" IPS	1.19	5.05	3.05
4" IPS	1.31	6.46	3.97

Call for availability of other sizes and dimensions.

(PE2406/PE2708) SOCKET CAPS

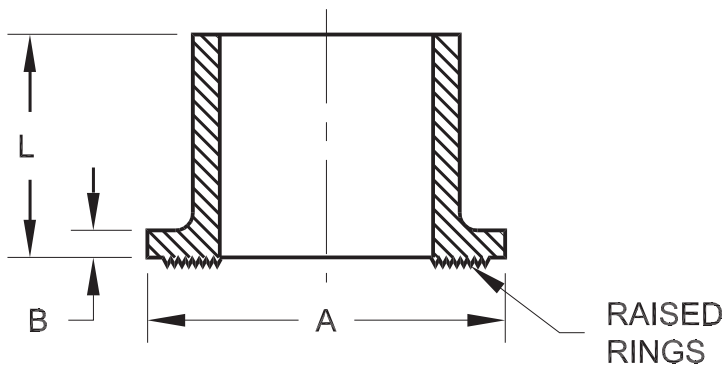
Main Size	Part Number	Pack. Qty.	Wt.	CSA	IAPMO
½" CTS	690622200000	100	0.03	YES	YES
½" IPS	690502200000	100	0.03	YES	YES
¾" IPS	690752200000	100	0.04	YES	YES
1" CTS	690112200000	100	0.04	YES	YES
1" IPS	690012200000	100	0.09	YES	YES
1¼" IPS	690122200000	100	0.15	YES	YES
1½" IPS	690152200000	100	0.17	-	YES
2" IPS	690022200000	100	0.29	YES	YES
3" IPS	690032200000	10	1.10	YES	YES
4" IPS	690042200000	10	2.35	YES	YES

(PE 3408/PE4710) SOCKET CAPS

Main Size	Part Number	Pack. Qty.	Wt.	AWWA
½" CTS	10005369	100	0.03	YES
½" IPS	10005370			YES
¾" IPS	10005371	100	0.05	YES
1" IPS	10005372	100	0.08	YES
1¼" IPS	10005373	100	0.16	YES
1½" IPS	10005374	100	0.17	YES
2" IPS	10005375	100	0.30	YES
3" IPS	10005376	10	1.12	YES

Flange Adapters

Beveled for Butterfly Valves available on request.
Standard 45° bevel unless otherwise specified by customer.**



**Due to variations in valve dimensions, the installer should verify proper function of the valve at the time of installation.

Call for availability of other sizes and dimensions.

IPS FLANGE ADAPTER DIMENSIONS

Nominal Size	A	B	L
2" IPS	3.94	0.39	6.00
3" IPS	5.00	0.63	6.00
4" IPS	6.00	0.54	6.00
6" IPS	8.50	0.78	8.00
8" IPS	10.63	1.00	11.00
10" IPS	12.75	1.28	12.00
12" IPS	15.00	1.54	12.00
14" IPS	17.50	1.50	12.00
16" IPS	20.00	1.75	12.00
18" IPS	21.38	1.88	12.00
20" IPS	23.47	2.27	12.00
22" IPS	25.59	2.50	12.00
24" IPS	27.85	2.82	12.00

(PE3408/PE4710) IPS FLANGE ADAPTERS

Size	SDR	Part Number	Pack. Qty.	Wt.	AWWA
2" IPS	DR 17	10004395	10	0.40	YES
2" IPS	DR 11	10007486	10	0.49	YES
2" IPS	DR 9/9.3	10004397	10	0.55	YES
2" IPS	DR 7/7.3	10004396	10	0.65	YES
3" IPS	DR 17	10004443	10	0.76	YES
3" IPS	DR 11	10007487	10	0.95	YES
3" IPS	DR 9/9.3	10004447	10	1.15	YES
3" IPS	DR 7/7.3	10004446	10	1.28	YES
4" IPS	DR 17	6910823	4	1.54	YES
4" IPS	DR 11	6912104	4	1.58	YES
4" IPS	DR9/9.3	10003642	4	1.74	YES
4" IPS	DR 7/7.3	6912368	4	2.38	YES
6" IPS	DR 17	6910835	2	4.16	YES
6" IPS	DR 11	6912105	2	4.43	YES
6" IPS	DR 9/9.3	6912377	2	4.25	YES
6" IPS	DR 7/7.3	10004473	2	5.91	YES
8" IPS	DR 17	6911501	2	10.10	YES
8" IPS	DR 11	6912124	2	10.10	YES

Flange Adapters

Beveled for Butterfly Valves available on request.

Standard 45° bevel unless otherwise specified by customer.**

(PE3408/PE4710) IPS FLANGE ADAPTERS

Size	SDR	Part Number	Pack. Qty.	Wt.	AWWA
8" IPS	DR 9/9.3	6912378	2	9.48	YES
8" IPS	DR 7/7.3	10004490	2	11.10	YES
10" IPS	DR 17	10004330	2	10.82	YES
10" IPS	DR 11	6912376	2	16.25	YES
10" IPS	DR 9	10004336	2	14.70	YES
10" IPS	DR 7	10004335	2	16.60	YES
12" IPS	DR 17	10006298	2	15.42	YES
12" IPS	DR 11	6912126	2	22.89	YES
12" IPS	DR 9	10003129	2	25.00	YES
12" IPS	DR 7	10004350	2	29.05	YES
14" IPS	DR 17	10004357	1	21.50	YES
14" IPS	DR 11	10004353	1	30.38	YES
14" IPS	DR 9	10004362	1	35.90	YES
14" IPS	DR 7	10004361	1	41.80	YES
16" IPS	DR 17	10004373	1	29.67	YES
16" IPS	DR 11	10004369	1	47.90	YES
16" IPS	DR 9	10001731	1	48.50	YES
16" IPS	DR 7	10004379	1	56.20	YES
18" IPS	DR 17	10004385	1	34.93	YES
18" IPS	DR 11	10003683	1	68.50	YES
18" IPS	DR 9	10004390	1	59.00	YES
18" IPS	DR 7	10004389	1	64.20	YES
20" IPS	DR 17	10004409	1	45.00	YES
20" IPS	DR 11	10004404	1	57.00	YES
20" IPS	DR 9	10004413	1	67.00	YES
22" IPS	DR 17	10004420	1	53.00	YES
22" IPS	DR 11	10004417	1	73.50	YES
24" IPS	DR 17	10004433	1	61.00	YES
24" IPS	DR 11	10003399	1	90.00	YES
24" IPS	DR 9	10004437	1	107.00	YES

**Due to variations in valve dimensions, the installer should verify proper function of the valve at the time of installation.

Call for availability of other sizes and dimensions.

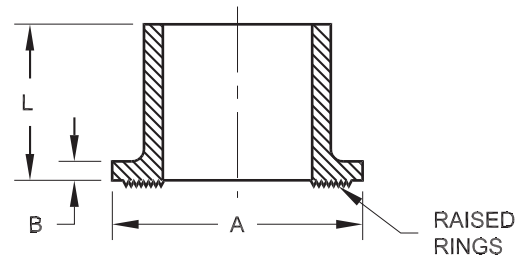
Flange Adapters

Beveled for Butterfly Valves available on request.
Standard 45° level unless otherwise specified by customer.



DIPS FLANGE ADAPTER DIMENSIONS

Nominal Size	A	B	L
4" DIPS	6.56	0.68	6.00
6" DIPS	8.60	1.08	8.00
8" DIPS	10.72	1.38	9.00
10" DIPS	13.17	1.88	9.00
12" DIPS	15.97	2.13	11.00
14" DIPS	17.40	2.25	12.00
16" DIPS	19.90	2.88	11.50
20" DIPS	23.66	3.63	11.50
24" DIPS	27.90	4.13	11.50



(PE3408/PE4710) DIPS FLANGE ADAPTERS

Size	SDR	Part Number	Pack. Qty.	Wt.	AWWA
4" DIPS	DR 11	10004448	10	2.38	YES
6" DIPS	DR 11	10004458	2	4.52	YES
6" DIPS	DR 9	10004463	2	5.75	YES
8" DIPS	DR 17	10004479	2	7.50	YES
8" DIPS	DR 11	10004476	2	9.01	YES
8" DIPS	DR 9	10006030	2	9.48	YES
10" DIPS	DR 11	10004320	1	15.44	YES
10" DIPS	DR 9	10004325	1	15.00	YES
12" DIPS	DR 17	10004341	2	17.80	YES
12" DIPS	DR 11	10004338	2	24.00	YES
12" DIPS	DR 9	10004342	2	29.00	YES

**Due to variations in valve dimensions, the installer should verify proper function of the valve at the time of installation.

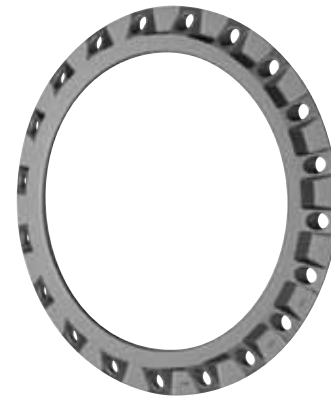
Call for availability of other sizes and dimensions.

Flange Adapters: Back-up Rings

Material: ASTM A536, GR 65/45/12

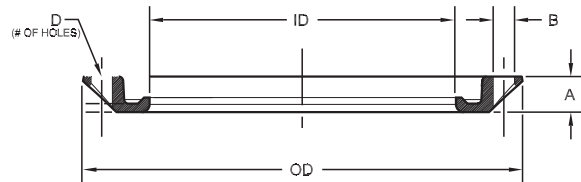
Standard: Convolute Type, Ductile Iron, 150 lb. Drilling

Finish: Red Oxide Primer



BACKUP RING DIMENSIONS

Size	OD	ID	A	B	Bolt Holes
2" IPS	6.03	2.63	0.75	0.75	4
3" IPS	7.28	3.75	0.94	0.75	4
4" IPS	8.78	4.75	0.94	0.75	8
6" IPS	10.98	6.88	1.00	0.88	8
8" IPS	13.21	8.88	1.12	0.88	8
10" IPS	15.95	11.00	1.19	1.00	12
12" IPS	18.71	12.92	1.50	1.00	12
14" IPS	20.80	14.16	1.63	1.13	12
16" IPS	23.02	16.19	1.88	1.13	16
18" IPS	24.98	18.20	1.75	1.25	16
20" IPS	27.13	20.38	2.06	1.05	20
22" IPS	29.70	22.38	2.13	1.38	20
24" IPS	32.10	24.38	2.13	1.38	20



BACK-UP RINGS

Size	Operating Pressure	Part Number	Pack. Qty.	Wt.	FM
2" IPS	200	6975041	1	2.00	-
3" IPS	200	6975042	1	2.90	-
4" IPS	200	6975043	1	4.00	YES
6" IPS	200	6975045	1	5.70	YES
8" IPS	200	6975046	1	7.10	YES
10" IPS	200	6975047	1	11.50	YES
12" IPS	200	6975048	1	17.30	YES
14" IPS	150	6975049	1	26.00	YES
16" IPS	150	6975050	1	36.50	YES
18" IPS	150	6975051	1	37.00	YES
20" IPS	150	6975052	1	46.50	YES
22" IPS	150	6975053	1	56.00	-
24" IPS	200	6975054	1	64.00	YES

Call for availability of other sizes and dimensions.

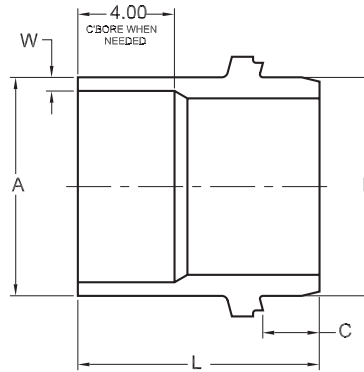
MJ Adapters

Beveled for Butterfly Valves available on request.
 Standard 45° bevel unless otherwise specified by customer.
 Gland Packs sold separately (includes gasket, ring and bolts).



IPS TO DIPS MJ ADAPTER DIMENSIONS

Nominal Size	A	B	C	L	W
3" IPS	3.50	3.96	2.00	9.00	DR 9 to 17
4" IPS	4.50	4.80	2.34	10.25	DR 9 to 17
6" IPS	6.62	6.90	2.34	11.31	DR 9 to 17
8" IPS	8.62	9.05	2.34	11.94	DR 9 to 17
10" IPS	10.75	11.10	2.34	13.56	DR 9 to 17
12" IPS	12.75	13.20	2.00	13.00	DR 9 to 17
14" IPS	14.00	15.30	1.34	13.00	DR 9 to 17
16" IPS	16.00	17.40	1.34	13.00	DR 9 to 17
18" IPS	18.00	19.50	1.34	13.00	DR 9 to 17
20" IPS	20.00	21.60	3.34	16.00	DR 9 to 17
24" IPS	24.00	25.80	3.34	18.00	DR 9 to 17



Due to variations in valve dimensions, the installer should verify proper function of the valve at the time of installation.

(PE3408/PE4710) IPS TO DIPS MJ ADAPTERS

Size	SDR	Part Number	Wt.	Part Number (with Stiffener)	Wt. (with Stiffener)	Pack. Qty.	AWWA
3"IPS	DR 17	6970393	1.35	10001449	1.87	6	YES
3"IPS	DR 11	6970367	1.75	10001447	2.10	6	YES
3"IPS	DR 9	6970366	1.94	10001446	2.25	6	YES
4" IPS	DR 17	6970191	2.50	10001459	2.91	6	YES
4" IPS	DR 11	6970189	2.90	10001457	3.31	6	YES
4" IPS	DR 9	6970188	3.01	10001455	3.41	6	YES
6" IPS	DR 17	6970199	5.30	10001469	5.66	4	YES
6" IPS	DR 11	6970197	5.67	10001467	7.00	4	YES
6" IPS	DR 9	6970196	6.16	10001471	6.49	4	YES
8" IPS	DR 17	6970207	9.74	10001482	10.29	3	YES
8" IPS	DR 11	6970205	10.70	10001480	11.25	3	YES
8" IPS	DR 9	6970204	10.55	10001484	11.10	3	YES
10" IPS	DR 17	6970214	12.62	10001499	13.37	1	YES
10" IPS	DR 11	6970212	14.90	10001497	15.65	1	YES
10" IPS	DR 9	6970112**	14.90	call	15.65	1	YES
12" IPS	DR 17	10005237	21.50	10005239	28.80	1	YES
12" IPS	DR 11	10005232	25.30	10005234	28.00	1	YES
12" IPS	DR 9	10005240	29.50	call		1	YES
14" IPS	DR 17	10005255	31.61	10005256	34.70	1	YES
14" IPS	DR 11	10005251	37.40	10005252	34.00	1	YES
14" IPS	DR 9	10003929	38.00	10005257	41.50	1	YES
16" IPS	DR 17	10005282	38.75	10005285	42.60	1	YES
16" IPS	DR 11	10005275	46.00	10005278	48.80	1	YES
16" IPS	DR 9	10005286	53.28	10005287	56.50	1	YES
18" IPS	DR 17	10005301	53.00	10005303	56.30	1	YES
18" IPS	DR 11	10005297	61.50	10005298	65.20	1	YES
18" IPS	DR 9	10005306	67.50	10005307	71.60	1	YES
20" IPS	DR 17	10005328	82.50	10005329	86.60	1	YES
20" IPS	DR 11	10005324	87.50	10005325	92.00	1	YES
20" IPS	DR 9	10005330	92.66	10005331	97.00	1	YES
24" IPS	DR 17	10005352	117.00	10005353	123.00	1	YES
24" IPS	DR 11	10005348	124.00	10005349	132.00	1	YES
24" IPS	DR 9	10005354	151.00	10005355	160.00	1	YES

MJ Adapters

Beveled for Butterfly Valves available on request.
Standard 45° bevel unless otherwise specified by customer.



DIPS TO DIPS MJ ADAPTER DIMENSIONS

Nominal Size	A	B	C	L	W
3" DIPS	3.96	3.96	2.00	9.00	DR 9 to 17
4" DIPS	4.80	4.80	2.34	10.25	DR 9 to 17
6" DIPS	6.90	6.90	2.34	11.31	DR 9 to 17
8" DIPS	9.05	9.05	2.75	14.00	DR 9 to 17
10" DIPS	11.10	11.10	2.34	13.56	DR 9 to 17
12" DIPS	13.20	13.20	2.00	13.00	DR 9 to 17
14" DIPS	15.30	15.30	1.34	13.00	DR 9 to 17
16" DIPS	17.40	17.40	1.34	13.00	DR 9 to 17
18" DIPS	19.50	19.50	1.34	13.00	DR 9 to 17
20" DIPS	21.60	21.60	3.34	16.00	DR 9 to 17
24" DIPS	25.80	25.80	3.34	18.00	DR 9 to 17

Due to variations in valve dimensions, the installer should verify proper function of the valve at the time of installation.

(PE3408/PE4710) DIPS TO DIPS MJ ADAPTERS

Size	SDR	Part Number	Wt.	Part No. (with Stiffener)	Wt. (with Stiffener)	Pack. Qty.	AWWA
3" DIPS	DR 17	call		10001453	2.50	6	YES
3" DIPS	DR 11	6970395	2.25	10001451	2.80	6	YES
3" DIPS	DR 9	call		10001450	3.12	6	YES
4" DIPS	DR 17	6970195	2.75	10001463	3.30	6	YES
4" DIPS	DR 11	6970193	3.50	10001461	4.02	6	YES
4" DIPS	DR 9	6970192	3.52				
6" DIPS	DR 17	6970203	4.60	10001476	5.24	4	YES
6" DIPS	DR 11	6970201	5.88	10001473	6.74	4	YES
6" DIPS	DR 9	6970200	6.00	10001478	7.55	4	YES
8" DIPS	DR 17	6970211	8.39	10001490	9.23	3	YES
8" DIPS	DR 11	6970209	10.40	10001487	11.87	3	YES
8" DIPS	DR 9	6970208	11.50	10001486	12.90	3	YES
10" DIPS	DR 17	6970218	12.06	10001505	13.50	1	YES
10" DIPS	DR 11	6970216	17.90	10001503	19.70	1	YES
10" DIPS	DR 9	6970215	18.85	10001501	20.70	1	YES
12" DIPS	DR 17	10005228	17.00	10005229	18.70	1	YES
12" DIPS	DR 11	10005222	24.60	10005223	27.09	1	YES
12" DIPS	DR 9	10005230	27.00	10005231	29.70	1	YES
14" DIPS	DR 17	10005247	29.75	10005248	32.70	1	YES
14" DIPS	DR 11	10005243	32.30	10005244	35.50	1	YES
14" DIPS	DR 9	10005249	40.28	10005250	43.50	1	YES
16" DIPS	DR 17	10005268	38.00	10005271	41.10	1	YES
16" DIPS	DR 11	10005258	45.30	10005261	52.00	1	YES
16" DIPS	DR 9	10005272	50.07				
18" DIPS	DR 17	10005292	49.50	10005293	52.50	1	YES
18" DIPS	DR 11	10005288	57.00	10005289	60.40	1	YES
18" DIPS	DR 9	10005294	71.00	10005296	74.30	1	YES
20" DIPS	DR 17	10005316	72.50	10005319	76.20	1	YES
20" DIPS	DR 11	10005308	91.00	10005311	95.60	1	YES
20" DIPS	DR 9	10005320	95.00	10005323	100.70	1	YES
24" DIPS	DR 17	10005340	109.00	10005343	114.50	1	YES
24" DIPS	DR 11	10005332	127.00	10005335	133.40	1	YES
24" DIPS	DR 9	10005344	155.00	10005347	161.50	1	YES

MJ Adapters: MJ Accessory Kits

3"–12" IPS/DIPS MJ Accessory Kits Include: ductile iron gland ring, rubber gasket, T-bolts & hex nuts



3"–12" MJ Accessory Kits

Main Size	Part Number	Pack. Qty.	Wt.	(#) of Bolts/Description
3" IPS/DIPS	6975069	1	5.96	(4) 5/8" × 5"
4" IPS/DIPS	6975026	1	7.81	(4) 3/4" × 4½"
6" IPS/DIPS	6975027	1	12.18	(6) 3/4" × 5"
8" IPS/DIPS	6975028	1	14.60	(6) 3/4" × 5"
10" IPS/DIPS	6975029	1	18.98	(8) 3/4" × 6"
12" IPS/DIPS	6975030	1	22.15	(8) 3/4" × 6"

Call for availability of other sizes and dimensions.

MJ Adapters: MJ Accessory Kits

14"–24" IPS/DIPS MJ Accessory Kits Include: rubber gasket, T-bolts, heavy flat washers & hex nuts
Does not include gland ring—black carbon steel ring must be ordered separately.



14"–24" MJ Accessory Kits

Does not include cast iron gland ring—black carbon steel ring ordered separately below

Main Size	Part Number	Pack. Qty.	Wt.	(#) of Bolts/Description
14" IPS/DIPS	6975031	1	14.14	(10) 3/4" × 7"
16" IPS/DIPS	6975032	1	16.54	(12) 3/4" × 7"
18" IPS/DIPS	6975033	1	16.69	(12) 3/4" × 7"
20" IPS/DIPS	6975034	1	19.70	(14) 3/4" × 7"
24" IPS/DIPS	6975035	1	22.44	(16) 3/4" × 7"



Carbon Steel Gland Ring

CARBON STEEL Gland Rings

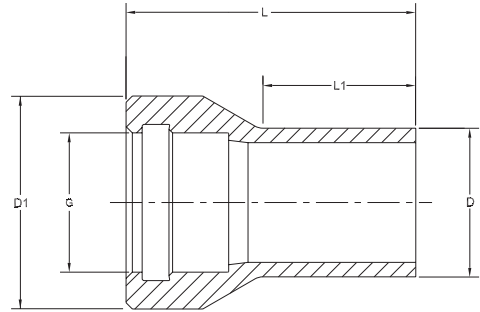
Main Size	Part Number	Pack. Qty.	Wt.	FM
14" IPS/DIPS	6975063	1	48.00	YES
16" IPS/DIPS	6975064	1	57.80	YES
18" IPS/DIPS	6975065	1	66.12	YES
20" IPS/DIPS	6975066	1	79.51	YES
24" IPS/DIPS	6975067	1	108.16	YES

DUCTILE IRON Gland Rings

14" IPS/DIPS	10007470	1		
16" IPS/DIPS	10007471	1		
18" IPS/DIPS	10007472	1		
20" IPS/DIPS	10007473	1		
24" IPS/DIPS	10007474	1		

Gasketed Adapters: Gasketed PE Adapter

GASKETED ADAPTER DIMENSIONS					
Nominal Size	L	L1	D1	D	G
4" PSM x 4" IPS (SDR 11)	9.00	4.75	9.00	4.50	4.25
4" IPS (SCH. 40) x 4" IPS (SDR11)	9.00	4.75	10.25	4.50	4.54
6" PSM x 6" IPS (SDR17)	13.00	6.00	11.31	6.62	6.33
6" IPS (SCH. 40) x 6" IPS (SDR17)	13.00	6.00	11.94	6.62	6.68



GASKETED PE ADAPTER					
Nominal Size	Outlet Size	Part Number	Pack. Qty.	Wt.	AWWA
4" IPS	4" PSM	6912002	5	3.64	-
4" IPS	4" Sch 40		-	-	-
6" IPS	6" PSM	6911612	4	8.75	-
6" IPS	6" Sch 40		-	-	-

Polyethylene Ball Valves: Full Port PE3408/PE4710

PE BALL VALVE DIMENSIONS						
Nominal Size	D	E (min)	G	h	H	L
1¼" IPS	1.66"	1.33"	2.75"	4.75"	7.125"	12.60"
2" IPS	2.375"	1.83"	3.15"	5.70"	8.50"	14.00"
3" IPS	3.50"	2.50"	3.15"	7.90"	11.50"	14.00"
4" IPS	4.50"	3.55"	4.50"	11.15"	16.00"	20.35"
6" IPS	6.625"	4.75"	3.60"	12.50"	18.50"	20.00"
8" IPS	8.625"	7.16"	5.90"	16.00"	24.00"	27.50"
10" IPS	10.75"	9.05"	5.35"	15.55"/*23"	25.75"/*33"	27.00"
12" IPS	12.75"	9.05"	5.35"	15.55"/*23"	25.75"/*33"	27.00"



PE BALL VALVE				
Size	SDR	Part Number	Box Qty.	Wt.
1¼" IPS	DR 11	10008170		2.99
1½" IPS	DR 11	10008178		3.04
2" IPS	DR 11	10008171		4.62
3" IPS	DR 11	10008172		7.05
4" IPS	DR 11	10008173		21.82
6" IPS	DR 11	10008174		37.47
8" IPS	DR 11	10008175		95.57
10" IPS	DR 11	10008176		108.02
12" IPS	DR 11	10008177		115.08

Fusion Equipment: BS-4 Fusion Kit

Kit includes: BS-4 Machine, 1 1/4", 2", and 3" BS-4 liners, electric trimmer, model 4 heater and heater faces, heater muff, job cart



BS-4 BUTT FUSION KIT

Description	Part Number	Wt.
BS-4 Butt Fusion Kit	10004000	63.00

Call for availability of other sizes and dimensions.

Fusion Equipment: BS-4 Equipment Accessories



Electric Trimmer



Manual Trimmer

BS-4 FUSION EQUIPMENT ACCESSORIES		
Description	Part Number	Wt.
BS-4 Butt Fusion Machine	557BS0400000	29.20
BS-4 Electric Trimmer	10007735	15.70
Manual Trimmer	5590000	12.50
Model 4 SW Heating Tool	5560022	5.70
Model 4 Butt Fusion Plates	556EB3400014	1.70
Heater Muff	556HM3000102	2.60



BS-4 Machine

Fusion Equipment: BS-4 Liners



Narrow Liners



Wide Liners

BS-4 BUTT FUSION MACHINE STANDARD LINER KITS		
Description	Part Number	Wt.
4" × ½" IPS Narrow Liner Kit	557LK1404501	2.00
4" × ¾" IPS Narrow Liner Kit	557LK1404751	1.90
4" × 1" CTS Narrow Liner Kit	557LK1404111	1.90
4" × 1" IPS Narrow Liner Kit	557LK1404011	3.30
4" × 1¼" IPS Narrow Liner Kit	557LK1404121	1.80
4" × 1½" IPS Narrow Liner Kit	557LK1404151	1.70
4" × 2" IPS Narrow Liner Kit	557LK1404021	1.50
4" × 2½" IPS Wide Liner Kit ***	5750371	3.60
4" × 3" IPS Wide Liner Kit	557LK1404030	2.60

BS-4 BUTT FUSION MACHINE SPECIAL LINER KITS		
Description	Part Number	Wt.
4" × 1¼" IPS Wide Liner Kit	557LK1404120	5.40
4" × 1½" IPS Wide Liner Kit	557LK1404150	3.20
4" × 2" IPS Wide Liner Kit	557LK1404020	4.20

*** These liners are also used with Electrofusion Multi-Clamp Kit.
Call for availability of other sizes and dimensions.

Fusion Equipment: Geo-Loop Fusion Kit

Kit includes: BS-4 Machine with Geo-Loop liners, Geo-Loop dual-head electric trimmer, model 4 heater with Geo-Loop heater faces, heater muff, job cart



Only available to qualified OEMs and distributors.

GEO-LOOP BUTT FUSION EQUIPMENT

Description	Part Number	Wt.
Geo-Loop Fusion Kit	10006145	84.60
Individual Geo-Loop Components		
Geo-Loop Electric Trimmer	10006124	13.86
¾" BS-4 Geo-Loop Liners	10006054	4.74
1" BS-4 Geo-Loop Liners	10006055	4.57
1¼" BS-4 Geo-Loop Liners	10006056	3.97
Model 4 Geo-Loop Heater Faces	10006125	1.70
BS-4 Machine	557BS0400000	29.20
Heater Muff	556HM3000102	2.60
Model 4 SW Heating Tool	5560022	5.70
Job Cart	10006122	18.30

Fusion Equipment: Socket Fusion Kit

Kit includes:

- Model 3 SF narrow profile-dual socket heater
- ¾" Model 3 SF plug & socket
- 1¼" Model 3 SF plug & socket
- Heater muff
- Model 3 SF heater dual angle holder chamfer/depth tools
- ¾" & 1¼" Cold rings
- Ratchet-style pipe cutter
- Storage box



SOCKET FUSION KIT

Description	Part Number	Wt.
Socket Fusion Kit	10006132	22.20

Kits with other size plug and socket heater face combinations are available

Fusion Equipment: Model SF3 Base Fusion Kit

Kit includes:

- Model SF3 heater with high temp handle
- Model SF3 heater muff
- Clamp bracket assembly
- 1 5/8" Capacity ratchet cutter
- 500° Temp-Stik
- 525° Temp-Stik
- Digital countdown timer
- Wrench hex key 3/16"
- Wrench hex key screwdriver 3/16"
- Professional tool box - 23" yellow and black
- Procedure manual

MODEL SF3 BASE FUSION KIT		
Description	Part Number	Wt.
Model SF3 Base Fusion Kit	10007306	



Fusion Equipment: Model SF3 Intermediate Kit

Kit includes:

- Model SF3 Heater with high temp handle
- Model SF3 Heater Muff
- Clamp Bracket Assembly
- 1 5/8" Capacity Ratchet Cutter
- 3/4" IPS Socket Tooling Kit
- 1 1/4" IPS plug and socket
- 500° Temp-Stik
- 525° Temp-Stik
- Digital Countdown Timer
- Wrench Hex Key 3/16"
- Wrench Hex Key Screwdriver 3/16"
- Professional Tool Box - 23" Yellow and Black
- Procedure Manual



MODEL SF3 INTERMEDIATE FUSION KIT		
Description	Part Number	Wt.
Model SF3 Intermediate Fusion Kit	10006132	

Fusion Equipment: Model SF3 Full Fusion Kit

Kit includes:

- Model SF3 Heater with high temp handle
- Model SF3 Heater Muff
- Clamp Bracket Assembly
- ½" IPS plug and socket
- ¾" IPS plug and socket
- 1" IPS plug and socket
- 1¼" IPS plug and socket
- 1½" IPS plug and socket
- 2" IPS plug and socket
- ½" IPS depth gage/chamfer tool
- ¾" IPS depth gage/chamfer tool
- 1" IPS depth gage/chamfer tool
- 1¼" IPS depth gage/chamfer tool
- 1½" IPS depth gage/chamfer tool
- 2" IPS depth gage/chamfer tool
- ½" IPS Cold Ring
- ¾" IPS Cold Ring
- 1" IPS Cold Ring
- 1¼" IPS Cold Ring
- 1½" IPS Cold Ring
- 2" IPS Cold Ring
- 1⁵/₈" Capacity Ratchet Cutter
- 2½" Capacity Ratchet Cutter
- 500° Temp-Stik
- 525° Temp-Stik
- Digital Countdown Timer
- Wrench Hex Key 3/16"
- Wrench Hex Key Screwdriver 3/16"
- Professional Tool Box: 26" Yellow and Black
- Procedure Manual



MODEL SF3 FULL FUSION KIT

Description	Part Number	Wt.
Model SF3 Full Fusion Kit	10007147	

Fusion Equipment: Aldyl-A Tap Tee Repair Kit

ALDYL-A TAP TEE REPAIR KIT

Description	Part Number
Aldyl-A Tap Tee Repair Kit	10007584



Fusion Equipment: Sidewall Fusion Equipment



Outrider SA140



Outrider 1500

CONNECTRA SIDEWALL FUSION EQUIPMENT

Description	Part Number	Length	Width	Height	Weight
SA140 1¼" IPS-4" IPS	call	19.00"	6.00"	23.25"	11.10
SA140 Pipe Shell 1¼" IPS-2" IPS	call	10.25"	7.75"	6.34"	8.00
Outrider 1500 w/4" Rounding Shell	call	44.75"	10.50"	8.50"	34.00
Outrider 1500 w/Chain Shell	call	43.00"	13.50"	38.00"	40.00
Outrider 3000	call	76.90"	18.83"	76.00"	75.75

Fusion Equipment: Depth Gages and Chamfer Tools



Chamfer/Depth Gage



Larger Chamfer Tool

SOCKET FUSION DEPTH GAGES

Description	Part Number	Wt.
1/2" CTS	288108800010	0.10
1/2" IPS	555DG1500000	0.10
3/4" IPS	555DG1750000	0.10
1" CTS	288108820010	0.10
1" IPS	555DG1010000	0.10
1 1/4" IPS	555DG1120000	0.20
1 1/2" IPS	555DG1150000	0.10
2" IPS	555DG1020000	0.30
3" IPS & 4" IPS Combination	555DG2030400	2.50

SOCKET FUSION CHAMFER TOOLS

Description	Part Number	Wt.
1/2" CTS Chamfer/Depth	10006069	0.20
1/2" IPS Chamfer/Depth	10006070	0.20
3/4" IPS Chamfer/Depth	10006071	0.20
1" CTS Chamfer/Depth	10006072	0.20
1" IPS Chamfer/Depth	10006073	0.30
1 1/4" IPS Chamfer/Depth	10006074	0.40
1 1/2" IPS Chamfer/Depth	10006075	0.52
2" IPS Chamfer/Depth	10006076	0.70
3" IPS Chamfer/Depth	288151460030	0.90
4" IPS Chamfer/Depth	288151465030	2.30
Chamfer/Depth Gage Replacement Blades	5500025	0.10

Call for availability of other sizes and dimensions.

Fusion Equipment: Cold Rings and Fitting Holders



Vice Grip Cold Rings



Vice Grip Cold Rings



Fitting Holder



Fitting Holder

SOCKET FUSION COLD RINGS

Description	Part Number	Wt.
1/2" CTS	550CR0620000	1.20
1/2" IPS	550CR0500000	1.40
3/4" IPS	550CR0750000	1.40
1" CTS	550CR0110000	1.40
1" IPS	550CR0010000	1.40
1 1/4" IPS	550CR0120000	1.40
1 1/2" IPS	550CR0150000	1.40
2" IPS	550CR0020000	1.40
3" IPS	550CR0030000	3.10
4" IPS	550CR0040000	5.40

SOCKET FUSION FITTING HOLDERS

Description	Part Number	Wt.
2" IPS	550FH0020000	3.10
3" IPS	000327	5.40
4" IPS	550FH0040000	6.00

Fusion Equipment: Heating Equipment

HEATING EQUIPMENT

Description	Part Number	Wt.
Model 4 SW Heating Tool	5560022	5.70
Model 2 Electric Heating Tool	5560021	4.20
Model 3 SF Heating Tool (Narrow Profile w/Clamping Bracket & Dual Socket Capability)**	10003774	5.24
Model 4 Gas Fired Heating Tool	5560023	7.40
2" Hot Head Gas Fired Tool	5560024	3.70
Extension Handle (Model 2 & 4 SW Tools)	5560025	1.80
Heater Muff	556HM3000102	2.60
Nozzle Regulator	900MM0120025	1.10



Model 4 S Electric Heating Tool



Model 3 SF Heating Tool



Model 2 Electric Heating Tool



Heater Muff

**Uses only Model SF Plugs and Sockets only
Call for availability of other sizes and dimensions.

Fusion Equipment: Butt and Socket Heater Plates



Butt Fusion Heater Plates



Socket & Plug Faces

BUTT FUSION FACE PLATES

Description	Part Number	Wt.
Model 4 Butt Fusion Plates	555EB3400014	1.70

SOCKET FUSION FACE PLUGS & SOCKETS

Description	Part Number	Wt.
½" CTS Standard Plug & Socket	555SP2620000	0.30
½" IPS Standard Plug & Socket	555SP2500000	0.20
¾" IPS Standard Plug & Socket	555SP2750000	0.30
¾" IPS Model 3 SF Plug & Socket**	10006170	0.30
1" CTS Standard Plug & Socket	555SP2110000	0.60
1" IPS Standard Plug & Socket	555SP2010000	0.50
1" IPS Model 3 SF Plug & Socket**	10006171	0.50
1¼" IPS Standard Plug & Socket	555SP2120000	0.50
1¼" IPS Model 3 SF Plug & Socket**	10006172	0.50
1½" IPS Standard Plug & Socket	555SP2150000	0.70
1½" IPS Model 3 SF Plug & Socket**	10006665	-
2" IPS Standard Plug & Socket	555SP2020000	0.90
2" IPS Model 3 SF Plug & Socket**	10006666	-
3" IPS Standard Plug & Socket	555SP2030000	1.80
4" IPS Standard Plug & Socket	555SP2040000	3.60

Fusion Equipment: Sidewall Heating Plates



SIDEWALL TAPPING TEE HEATER PLATES

Description	Part Number	Wt.
1¼" IPS	288101855030	1.50
1½" IPS	288101860030	1.60
2" IPS	288101865030	1.80
3" IPS	288101870030	2.00
4" IPS	288101875030	1.80
6" IPS	288101880030	1.60
8" IPS	288101885030	1.80

SIDEWALL HIGH VOLUME & MULTI-SADDLE HEATER PLATES

Description	Part Number	Wt.
1¼" IPS	10006685	1.40
1½" IPS	10006686	1.90
2" IPS	10006687	2.10
3" IPS	10006688	1.80
4" IPS	10006689	1.90
6" IPS	10006690	1.70
8" IPS	10006691	1.70

**For use on Model 3 SF Heaters Only.

Call for availability of other sizes and dimensions.

Fusion Equipment: Squeeze-Off Tools



SQUEEZE-OFF TOOLS		
Description	Part Number	Wt.
1/2" CTS-2" IPS Service Squeeze-Off Tool	5570006	10.50
2"-6" Squeeze-Off Tool SDR 11	5500014	80.00

Fusion Equipment: Squeeze-Off Tools



Mechanical Polysqueeze

Service Line Tools



MECHANICAL SQUEEZE-OFF TOOLS		
Squeeze Tool Description	Part Number	Wt.
Service Line Squeeze Tools		
Individual Vice-Grip Tools		
for .062 pipe wall thickness	280600501030	2.60
for .077 pipe wall thickness	280600502030	2.60
for .090-.095 pipe wall thickness	280600503030	2.60
for .099-.104 pipe wall thickness	280600504030	2.60
Small Service Squeeze Tool	280004000041	2.40
Mid-Range Service Squeeze Tool	280108021040	12.30
Mechanical Polysqueeze Tools		
1/2"-2"	call	7.00
2"-4"	call	14.00
Hydraulic Polysqueeze Tools		
2"-4"	call	69.00
4"-6"	call	75.00
1 1/4"-6"	call	70.00
6"-8"	call	145.00
10"-12"	call	245.00

Call for availability of other sizes and dimensions.

Fusion Equipment: Squeeze-Off Tools



Hydraulic
Polysqueeze

HYDRAULIC SQUEEZE-OFF TOOLS

Squeeze Tool Description	Part Number	Wt.
Hydraulic Polysqueeze Tools		
2"-4"	281004200000	69.00
4"-6"	281006200000	75.00
1½"-6"	281006401000	70.00
6"-8"	281008300000	145.00
10"-12"	281012300000	245.00

Call for availability of other sizes and dimensions.

Fusion Equipment: 14M Butt Fusion

14M Butt Fusion

Description	Stock Number	Weight
14M Unit 120v configuration includes joining assembly, facer assembly, heater assembly w/butt plates, 4 DIPS to 4 IPS liners, and Heater/facer carrier	28-0204-3020-40	99
14M Unit 240v configuration includes joining assembly, facer assembly, heater assembly w/butt plates, 4 DIPS to 4 IPS liners, and Heater/facer carrier	28-0204-3040-40	99

Accessories/Replacements

Description	Stock Number	Weight
Facer Assembly 120 VAC	28-8204-7240-30	22
Facer Assembly 240 VAC	28-8204-7220-30	22
14M Cart Assembly	28-8204-5000-30	80
Outrigger Assembly (set of 2)	28-8204-4400-30	15
Heater/Facer Carrier (NO BAG)**	28-8204-3500-30	13
Heater/Facer Carrier Bag	28-8204-3550-30	2
Heater Assembly 120v (w/removable butt plates)	28-8204-7951-30	12
Heater Assembly 240v (w/removable butt plates)	28-8204-7991-30	12
Facer Blade Set	28-0204-4560-40	1
Torque Wrench	28-8544-0030-10	2
Butt Plate Set	28-8153-3230-30	2
TD-3 Adapter to MAC 14 BF Machine	28-0153-5000-40	3

**Bag must be purchased separately

Liners

Description	Stock Number	Weight
¾ IPS*	28-0204-6160-40	1
1 IPS*	28-0204-6150-40	1
1¼ IPS*	28-0204-6110-40	1
1½ IPS*	28-0204-6090-40	1
2 IPS (Master)	28-0204-6070-40	4
2½ IPS	28-0204-6050-40	4
3 IPS	28-0204-6030-40	5
4 IPS	28-0204-6010-40	8
¾ CTS*	28-0204-6180-40	1
1 CTS*	28-0204-6170-40	1
1¼ CTS*	28-0204-6130-40	1
1½ CTS*	28-0204-6390-40	1
2 CTS*	28-0204-6370-40	3
25mm*	28-0204-6350-40	1
32mm*	28-0204-6330-40	1
40mm*	28-0204-6310-40	1
50mm*	28-0204-6290-40	4
63mm*	28-0204-6270-40	4
75mm*	28-0204-6250-40	4
90mm*	28-0204-6230-40	4
100mm*	28-0204-6210-40	4
110mm*	28-0204-6190-40	4

*Requires 2 IPS Master



Fusion Equipment: 28CQ Butt Fusion



28CQ Butt Fusion Unit

Description	Stock Number	Weight
28CQ Unit 120v configuration includes joining assembly, facer assembly, heater assembly w/butt plates, hand pump hydraulic system, 8 DIPS to 8 IPS liners and insulated heater storage bag. Limited to 2,946 total interfacial force.	101125	185
28CQ Unit 240v configuration includes joining assembly, facer assembly, heater assembly w/butt plates, hand pump hydraulic system, 8 DIPS to 8 IPS liners and insulated heater storage bag. Limited to 2,946 total interfacial force.		185
28CQ Unit 120v w/Power Pack configuration includes joining assembly, facer assembly, heater assembly w/butt plates, hand pump hydraulic system, 8 DIPS to 8 IPS liners and insulated heater storage bag. Limited to 2,946 total interfacial force.	101127	

Accessories/Replacements

Description	Stock Number	Weight
Cart	101111	81
Facer Stand	800200	
Ultra light Aluminum Stub End Holder	800030	
Hydraulic Extension Hose - 25FT (2 required per machine)	300212	8
Pipe Stand w/Roller	800161	10
Conversion Kit for Remote Operation	800185	
Butt Plate Set	600260	
Facer Blade Set	28-0208-4560-40	3
Heater Iron, 120v (w/removable butt plates)	600266	18
Heater Iron, 240v (w/removable butt plates)	600273	
Heater Carrier	600268	8
Heater Bag	28-8208-3520-10	3

Liners

Description	Stock Number	Weight	Description	Stock Number	Weight
2 IPS*	28-0204-6070-40	4	6 IPS Mitered - 11.25 (nonstock item)	28-0208-6850-40	10
2½ IPS*	28-0204-6050-40	4	8 IPS Mitered - 11.25 (nonstock item)	28-0208-6750-40	15
3 IPS*	28-0204-6030-40	4	4 DIPS Mitered - 11.25 (nonstock item)	28-0208-6950-40	10
4 IPS*	28-0204-6010-40	3	6 DIPS Mitered - 11.25 (nonstock item)	28-0208-6800-40	8
5 IPS	28-0208-6151-40	8	8 DIPS Mitered - 11.25 (nonstock item)	28-0208-6700-40	13
5¼	28-0208-6401-40	15	200mm	28-0208-6500-40	
5.375	28-0208-6351-40		180mm	28-0208-6300-40	
6 IPS	28-0208-6101-40	9	160mm	28-0208-6550-40	
8 IPS	28-0208-6001-40	5	125mm	28-0208-6600-40	
4 DIPS (MASTER)	28-0208-6201-40	10	110mm*	28-0208-6190-40	
6 DIPS	28-0208-6051-40	8	100mm*	28-0208-6210-40	
4 IPS Mitered - 11.25 (nonstock item)	28-0208-7000-40	10	90mm*	28-0208-6230-40	
5 IPS Mitered - 11.25 (nonstock item)	28-0208-6900-40	10	75mm*	28-0208-6250-40	

*Requires 4 DIPS Master

Note: Millimeter liners available upon request - nonstock items

Fusion Equipment: 28HP Butt Fusion



Specifications

Carriage Unit Dimensions

Length	31.50 inches	800 mm
Width	27.00 inches	686 mm
Height	18.25 inches	464 mm
Weight	216 pounds	98 kg

Carriage Mounted On Frame

Length	57.38 inches	1,457 mm
Width	32.00 inches	813 mm
Height	30.25 inches	768 mm

Total Weight (all components) 381 pounds 173 kg

Capacities

Model 28HP 2 inch IPS thru 8 inch DIPS*

Model 28HP-225 mm 63 mm thru 225 mm*

Electrical Data

120 VAC Single Phase	Watts	Amps
Facer Motor	1,200	10.0
Heater	2,000	16.6
Total Power Consumption	3,200	26.6
240 VAC Single Phase	Watts	Amps
Facer Motor	1,152	4.8
Heater	2,000	8.3
Total Power Consumption	3,152	13.1

*with the use of optional reducing inserts

Specifications are subject to change without notice.

Description

The 28HP is designed to take it. A sturdy rectangular frame design provides operators with a rigid and safe fusion platform. The machine's hydraulic system is powered by Connectra's rugged, efficient, easy to maintain hand pump and the ball bearing facer is powered by a durable electric motor. The 28HP is easy to learn and operate, and like all Connectra equipment, you can expect low maintenance costs and a rapid return on your investment.

Features

- Three clamp top unit quick-releases for in-the-ditch butt or side fusion (with optional side fusion uprights).
- Pressure gauge for cylinder pressure.
- Ported for DataConnect or other competitive data recorders.
- Front pipe lifter is standard. Rear pipe lifter is easily added for increased versatility.
- Manual hydraulic pump with pressure gauge offers excellent control of fusion pressures.
- Rugged design with no "bells and whistles" means less maintenance expense.
- A superior piece of equipment at an extraordinary price.
- Limited three-year warranty.

Options/Accessories

We offer an integrated side fusion upright as an optional piece of equipment. A rear pipe lifter is also available. Choose from a complete range of accessories for the 28HP. Ask about reducing and mitered inserts, (available in IPS, DIPS and metric), stub end holder, and pipe stands.

Fusion Equipment: 28HP Butt Fusion

28HP Butt Fusion Unit

Description	Stock Number	Weight
28HP Unit 120v configuration includes joining assembly, facer assembly, heater assembly w/butt plates, hand pump hydraulic system, 8 DIPS to 8 IPS liners, and insulated heater storage bag.	28-0208-1000-40	429
28HP Unit 240v configuration includes joining assembly, facer assembly, heater assembly w/butt plates, hand pump hydraulic system, 8 DIPS to 8 IPS liners, and insulated heater storage bag.	28-0208-1001-40	429

Accessories/Replacements

Description	Stock Number	Weight
Ultra light Aluminum Stub End Holder	800030	
Pipe Stand w/Roller	800161	85
Butt Plate Set	600260	
Facer Blade Set	28-0202-4560-40	4
Heater Iron, 120v (w/removable butt plates)	600266	18
Heater Iron, 240v (w/removable butt plates)	600273	
Heater Bag	28-8208-3520-10	3

Liners

Description	Stock Number	Weight
2 IPS*	28-0208-6070-40	8
2½ IPS*	28-0208-7050-40	6
3 IPS*	28-0208-6030-40	4
4 IPS*	28-0208-6010-40	2
5 IPS	28-0208-6150-40	28
5.375	28-0208-6350-40	30
6 IPS	28-0208-6100-40	18
8 IPS	28-0208-6000-40	8.5
4 DIPS (MASTER)	28-0208-6200-40	34
6 DIPS	28-0208-6050-40	17
4 IPS Mitered - 11.25 (nonstock item)	28-0208-7000-40	18
5 IPS Mitered - 11.25 (nonstock item)	28-0208-6900-40	16
6 IPS Mitered - 11.25 (nonstock item)	28-0208-6850-40	12
8 IPS Mitered - 11.25 (nonstock item)	28-0208-6750-40	18
4 DIPS Mitered - 11.25 (nonstock item)	28-0208-6950-40	19
6 DIPS Mitered - 11.25 (nonstock item)	28-0208-6800-40	11
8 DIPS Mitered - 11.25 (nonstock item)	28-0208-6700-40	16
200mm	28-0208-6500-40	
180mm	28-0208-6300-40	
160mm	28-0208-6550-40	
125mm	28-0208-6600-40	
110mm*	28-0208-6190-40	
100mm*	28-0208-6210-40	
90mm*	28-0208-6230-40	
75mm*	28-0208-6250-40	

*Requires 4 DIPS Master

Fusion Equipment: 28EP Butt Fusion



28EP Butt Fusion Unit

Description	Stock Number	Weight
28EP Unit 120v configuration includes joining assembly, facer assembly, heater assembly w/butt plates, hydraulic power unit, 8 DIPS to 8 IPS liners, and heater facer carrier.	28-0208-9400-40	429
28EP Unit 240v configuration includes joining assembly, facer assembly, heater assembly w/butt plates, hydraulic power unit, 8 DIPS to 8 IPS liners, and heater facer carrier.	28-0208-9500-40	429

Accessories/Replacements

Description	Stock Number	Weight
Ultra light Aluminum Stub End Holder	800030	
Pipe Stand (1pc.) 2-8	800161	85
Hydraulic Extension Hose Assembly, 25FT	28-8208-5100-30	
Hydraulic Extension Hose Assembly, 50FT	28-8218-5100-30	50
Hydraulic Power Unit	28-8208-5400-30	145
Power Extension Cord, 25FT	28-8208-3690-30	
Power Extension Cord, 50FT	28-8218-3790-30	20
Butt Plate Set	28-0208-3570-40	6
Facer Blade Set	28-0208-4560-40	3
Heater Assembly, 120v (w/removable butt plates)	28-8208-3500-30	17
Heater Assembly, 240v (w/removable butt plates)	28-8208-3110-30	17
Heater Bag	28-8208-3520-10	3

Liners

Description	Stock Number	Weight	Description	Stock Number	Weight
2 IPS*	28-0208-6070-40	8	6 IPS Mitered - 11.25 (nonstock item)	28-0208-6850-40	12
2 1/2 IPS*	28-0208-7050-40	6	8 IPS Mitered - 11.25 (nonstock item)	28-0208-6750-40	18
3 IPS*	28-0208-6030-40	4	4 DIPS Mitered - 11.25 (nonstock item)	28-0208-6950-40	19
4 IPS*	28-0208-6010-40	2	6 DIPS Mitered - 11.25 (nonstock item)	28-0208-6800-40	11
5 IPS	28-0208-6150-40	28	8 DIPS Mitered - 11.25 (nonstock item)	28-0208-6700-40	16
5.25	28-0208-6400-40	31	200mm	28-0208-6500-40	
5.375	28-0208-6350-40	30	180mm	28-0208-6300-40	
6 IPS	28-0208-6100-40	18	160mm	28-0208-6550-40	
8 IPS	28-0208-6000-40	8.5	125mm	28-0208-6600-40	
4 DIPS (MASTER)	28-0208-6200-40	34	110mm*	28-0208-6190-40	
6 DIPS	28-0208-6050-40	17	100mm*	28-0208-6210-40	
4 IPS Mitered - 11.25 (nonstock item)	28-0208-7000-40	18	90mm*	28-0208-6230-40	
5 IPS Mitered - 11.25 (nonstock item)	28-0208-6900-40	16	75mm*	28-0208-6250-40	

*Requires 4 DIPS Master

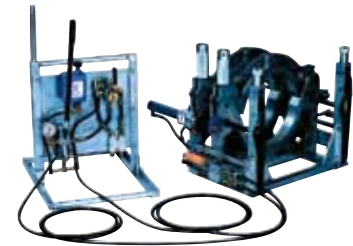
Fusion Equipment: 314CQ Butt Fusion

314CQ Butt Fusion Unit

Description	Stock Number	Weight
314CQ Unit 120v configuration includes joining assembly, facer assembly, heater assembly w/butt plates, hand pump hydraulic system, and insulated heater storage bag.	100420	331
314CQ Unit 240v configuration includes joining assembly, facer assembly, heater assembly w/butt plates, hand pump hydraulic system, and insulated heater storage bag.	100420A	331
314CQ Unit 120v configuration includes joining assembly, facer assembly, heater assembly w/butt plates, electric hydraulic power pack (supplied in lieu of the hand pump system), and insulated heater storage bag.	101124	331
314CQ Unit 240v configuration includes joining assembly, facer assembly, heater assembly w/butt plates, electric hydraulic power pack (supplied in lieu of the hand pump system), and insulated heater storage bag.	101124A	331

Accessories/Replacements

Description	Stock Number	Weight
Ultra light Aluminum Stub End Holder	800035	
Pipe Stand w/Rollers	800110	
Hydraulic Extension Hose Assembly, 25FT (2 required per machine)	300212	
Butt Plate Set	600261	
Facer Blade Set	500299	
Heater Assembly, 120v (w/removable butt plates)	600210	
Heater Assembly, 240v (w/removable butt plates)	600211	
Heater Stand	600082	
Heater Bag	600012	



Liners

Description	Stock Number	Weight
3 IPS	900504	
4 IPS	900505	
5 IPS	900507	
5.375	900506	
6 IPS	900508	
8 IPS	900510	
10 IPS	900511	
12 IPS	900512	
4 DIPS	900513	
6 DIPS	900514	
8 DIPS	900515	
10 DIPS	900516	
12 DIPS	900517	
4 IPS Mitered - 11.25 (nonstock item)	900481	
5 IPS Mitered - 11.25 (nonstock item)	900483	
5.375 Mitered - 11.25 (nonstock item)	900482	
6 IPS Mitered - 11.25 (nonstock item)	900484	
7.125 Mitered - 11.25 (nonstock item)	900485	
8 IPS Mitered - 11.25 (nonstock item)	900486	
10 IPS Mitered - 11.25 (nonstock item)	900487	
12 IPS Mitered - 11.25 (nonstock item)	900488	

Fusion Equipment: 414HP Butt Fusion

414HP Butt Fusion Unit

Description	Stock Number	Weight
414HP Unit 110v configuration includes joining assembly, pivoting facer assembly, heater assembly w/butt plates, insulated heater storage bag.	101149	1325

Accessories/Replacements

Description	Stock Number	Weight
Ultra light Aluminum Stub End Holder	800035	
Pipe Stand w/Rollers	800110	75
Hydraulic Extension Hose Assembly, 25FT	28-8208-5100-30	
Hydraulic Extension Hose Assembly, 50FT	28-8218-5100-30	
Butt Plate Set	600261	
Facer Blade Set	500378	
Heater Iron 240v	600211	34
Heater Stand	600082	8
Heater Bag	600012	5



Liners

Description	Stock Number	Weight
4 IPS (6IPS to 4IPS)**	900972	
6 IPS (12IPS to 6IPS)* (Master)	28-0218-6180-40	81
8 IPS (12IPS to 8IPS)*	28-0218-6150-40	64
10 IPS (12IPS to 10IPS)*	28-0218-6120-40	35
12 IPS (14IPS to 12IPS) (Master)	900945	20
4 DIPS (6DIPS to 4DIPS)***	900974	
6 DIPS (12DIPS to 6DIPS)*	28-0218-6680-40	80
8 DIPS (12DIPS to 8DIPS)*	28-0218-6650-40	60
10 DIPS (12DIPS to 10DIPS)*	28-0218-6620-40	31
12 DIPS (14DIPS to 12DIPS)	900948	
6 IPS Mitered - 11.25 (nonstock item)	28-0218-7180-40	44
8 IPS Mitered - 11.25 (nonstock item)	28-0218-7150-40	37
10 IPS Mitered - 11.25 (nonstock item)	28-0218-7120-40	24
6 DIPS Mitered - 11.25 (nonstock item)	28-0218-7680-40	43
8 DIPS Mitered - 11.25 (nonstock item)	28-0218-7650-40	35
10 DIPS Mitered - 11.25 (nonstock item)	28-0218-7620-40	21
125mm^	901001	
160mm (Master)*	28-0218-6480-40	
180mm*	28-0218-6450-40	
200mm*	28-0218-6420-40	
225mm*	28-0218-6390-40	
250mm*	28-0218-6360-40	
280mm*	28-0218-6330-40	
315mm	900996	
350mm	900998	

* Requires 12" IPS Master Liner Set

** Requires 12" IPS and 6" IPS Master Liner Set

*** Requires 6" DIPS Master Liner Set

^ Requires 160mm Master Liner

Fusion Equipment: 414EP Butt Fusion

414EP Butt Fusion Unit

Description	Stock Number	Weight
414EP Unit 220v configuration includes joining assembly, facer assembly, heater assembly w/butt plates, electric hydraulic system, and insulated heater storage bag.	101148	810

Accessories/Replacements

Description	Stock Number	Weight
Ultra light Aluminum Stub End Holder	800035	
Pipe Stand w/Rollers	800110	75
Hydraulic Extension Hose Assembly, 25FT	28-8208-5100-30	
Hydraulic Extension Hose Assembly, 50FT	28-8218-5100-30	
Butt Plate Set	600261	
Facer Blade Set	500378	
Heater Iron 240v	600211	34
Heater Stand	600082	8
Heater Bag	600012	5



Liners

Description	Stock Number	Weight
4 IPS (6IPS to 4IPS)**	900972	
6 IPS (12IPS to 6IPS)* (Master)	28-0218-6180-40	81
8 IPS (12IPS to 8IPS)*	28-0218-6150-40	64
10 IPS (12IPS to 10IPS)*	28-0218-6120-40	35
12 IPS (14IPS to 12IPS) (Master)	900945	20
4 DIPS (6DIPS to 4DIPS)***	900974	
6 DIPS (12DIPS to 6DIPS)*	28-0218-6680-40	80
8 DIPS (12DIPS to 8DIPS)*	28-0218-6650-40	60
10 DIPS (12DIPS to 10DIPS)*	28-0218-6620-40	31
12 DIPS (14DIPS to 12DIPS)	900948	
6 IPS Mitered - 11.25 (nonstock item)	28-0218-7180-40	44
8 IPS Mitered - 11.25 (nonstock item)	28-0218-7150-40	37
10 IPS Mitered - 11.25 (nonstock item)	28-0218-7120-40	24
125mm^	901001	
160mm (Master)*	28-0218-6480-40	
180mm*	28-0218-6450-40	
200mm*	28-0218-6420-40	
225mm*	28-0218-6390-40	
250mm*	28-0218-6360-40	
280mm*	28-0218-6330-40	
315mm	900996	
350mm	900998	

- * Requires 12" IPS Master Liner Set
- ** Requires 12" IPS and 6" IPS Master Liner Set
- *** Requires 6" DIPS Master Liner Set
- ^ Requires 160mm Master Liner

Fusion Equipment: 414SC Butt Fusion

414SC Butt Fusion Unit

Description	Stock Number	Weight
414SC Unit 240v configuration includes joining assembly, pivoting facer assembly, heater assembly w/butt plates, insulated heater storage bag, and a self-contained power unit.	101147	1325

Accessories/Replacements

Description	Stock Number	Weight
Ultra light Aluminum Stub End Holder	800035	
Pipe Stand w/Rollers	800110	75
Hyrdraulic Extension Hose - 25FT	28-8208-5100-30	
Hyrdraulic Extension Hose - 50FT	28-8218-5100-30	
Butt Plate Set	600261	
Facer Blade Set	500378	
Heater Iron 240v	600211	34
Heater Stand	600082	8
Heater Bag	600012	5



Liners

Description	Stock Number	Weight
4 IPS (6IPS TO 4IPS)**	900972	
6 IPS (12IPS TO 6IPS)* (Master)	28-0218-6180-40	81
8 IPS (12IPS TO 8IPS)*	28-0218-6150-40	64
10 IPS (12IPS TO 10IPS)*	28-0218-6120-40	35
12 IPS (14IPS TO 12IPS) (Master)	900945	20
4 DIPS (6DIPS TO 4DIPS)***	900974	
6 DIPS (12IPS TO 6DIPS)*	28-0218-6680-40	80
8 DIPS (12IPS TO 8DIPS)*	28-0218-6650-40	60
10 DIPS (12IPS TO 10DIPS)*	28-0218-6620-40	31
12 DIPS (14IPS TO 12IPS)	900948	
6 IPS MITERED - 11.25 (nonstock item)	28-0218-7180-40	44
8 IPS MITERED - 11.25 (nonstock item)	28-0218-7150-40	37
10 IPS MITERED - 11.25 (nonstock item)	28-0218-7120-40	24
6 DIPS MITERED - 11.25 (nonstock item)	28-0218-7680-40	43
8 DIPS MITERED - 11.25 (nonstock item)	28-0218-7650-40	35
10 DIPS MITERED - 11.25 (nonstock item)	28-0218-7620-40	21
125mm^	901001	
160mm (Master)*	28-0218-6480-40	
180mm*	28-0218-6450-40	
200mm*	28-0218-6420-40	
225mm*	28-0218-6390-40	
250mm*	28-0218-6360-40	
280mm*	28-0218-6330-40	
315mm	900996	
350mm	900998	

* Requires 12" IPS Master Liner Set

** Requires 12" IPS and 6" IPS Master Liner Set

*** Requires 6" DIPS Master Liner Set

^ Requires 160mm Master Liner

Fusion Equipment: 620SC Butt Fusion



620SC Butt Fusion Unit

Description	Stock Number	Weight
620SC Unit configuration includes joining assembly, facer assembly, pivoting heater assembly, and self-contained power unit (w/20hp Honda Motor)	28-0220-3000-40	2500
500mmSC Unit configuration includes joining assembly, facer assembly, pivoting heater assembly, and self-contained power unit (w/20hp Honda Motor)	28-0218-3020-40	2500

Accessories/Replacements

Description	Stock Number	Weight
Ultra light Aluminum Stub End Holder	800190	
Pipe Stand (1pc.) 6-24	800150	
Hydraulic Extension Hose - 25FT	28-8208-5100-30	
Hydraulic Extension Hose - 50FT	28-8218-5100-30	
Facer Blade Set (Standard)	28-0218-4560-30	
Facer Blade Set (Long)	28-0218-4690-30	6
Power Extension Cord, 25FT	28-8208-3690-30	
Power Extension Cord, 50FT	28-8218-3790-30	
Heater Assembly	28-8218-3500-30	47

Liners

Description	Stock Number	Weight	Description	Stock Number	Weight
6 IPS (12IPS TO 6IPS)**	28-0218-6180-40	81	6 IPS MITERED - 11.25 (nonstock item)	28-0218-7180-40	44
8 IPS (12IPS TO 8IPS)**	28-0218-6150-40	64	8 IPS MITERED - 11.25 (nonstock item)	28-0218-7150-40	37
10 IPS (12IPS TO 10IPS)**	28-0218-6120-40	35	10 IPS MITERED - 11.25 (nonstock item)	28-0218-7120-40	24
12 IPS (18IPS TO 12IPS) (Master)	28-0218-6090-40	140	12 IPS MITERED - 11.25 (nonstock item)	28-0218-7090-40	92
14 IPS (18IPS TO 14IPS)*	28-0218-6060-40	121	14 IPS MITERED - 11.25 (nonstock item)	28-0218-7060-40	74
16 IPS (18IPS TO 16IPS)*	28-0218-6030-40	74	16 IPS MITERED - 11.25 (nonstock item)	28-0220-7030-40	85
18 IPS (20IPS TO 18IPS) (Master)	28-0220-6000-40	62	18 IPS MITERED - 11.25 (nonstock item)	28-0220-7000-40	115
6 DIPS (12IPS TO 6DIPS)**	28-0218-6680-40	80	6 DIPS MITERED - 11.25 (nonstock item)	28-0218-7680-40	43
8 DIPS (12IPS TO 8DIPS)**	28-0218-6650-40	60	8 DIPS MITERED - 11.25 (nonstock item)	28-0218-7650-40	35
10 DIPS (12IPS TO 10DIPS)**	28-0218-6620-40	31	10 DIPS MITERED - 11.25 (nonstock item)	28-0218-7620-40	21
12 DIPS (18IPS TO 12DIPS)*	28-0218-6590-40	138	12 DIPS MITERED - 11.25 (nonstock item)	28-0218-7590-40	88
14 DIPS (18IPS TO 14DIPS)*	28-0218-6560-40	89	14 DIPS MITERED - 11.25 (nonstock item)	28-0218-7560-40	53
16 DIPS (18IPS TO 16DIPS)	28-0220-6530-40	80	16 DIPS MITERED - 11.25 (nonstock item)	28-0220-7530-40	126
18 DIPS (20IPS TO 18DIPS)	28-0220-6800-40				

* Requires 18IPS Master Set

**Requires both 18IPS and 12IPS Master Set

Note: Millimeter liners available upon request - nonstock items

Fusion Equipment: 824EP Butt Fusion



824EP Butt Fusion Unit

Description	Stock Number	Weight
824EP Unit 240v three-phase configuration includes joining assembly, pivoting facer and dual zone heater assembly, and two hydraulic pipe lifters	101231	2700

Accessories/Replacements

Description	Stock Number	Weight
Ultra light Aluminum Stub	800038	
Pipe Stand 6-24	800150	
Butt Plate Set	600263	
Facer Blade Set	500301	
Heater Iron, 240v, 3 Phase	600215	
Heater Blanket	600160	4

Liners

Description	Stock Number	Weight	Description	Stock Number	Weight
8 IPS**	900553		8 IPS MITERED - 11.25 (nonstock item)	900536	
10 IPS**	900554		10 IPS MITERED - 11.25 (nonstock item)	900537	
12 IPS* (Master)	900533		12 IPS MITERED - 11.25 (nonstock item)	900542	
14 IPS*	900534		14 IPS MITERED - 11.25 (nonstock item)	900543	
16 IPS*	900535		16 IPS MITERED - 11.25 (nonstock item)	900544	
18 IPS (Master)	900539		18 IPS MITERED - 11.25 (nonstock item)	900545	
20 IPS	900540		20 IPS MITERED - 11.25 (nonstock item)	900556	
22 IPS	900541		225mm^^		
8 DIPS**	900729		250mm^^		
10 DIPS*	900728		280mm^^		
12 DIPS*	900727		315mm Master Liners		
14 DIPS*	900726		400mm^		
16 DIPS	900725		450mm Master Liners		
18 DIPS	900546		500mm		
20 DIPS	900547		560mm		

* Requires 18 Master

** Requires both 18 and 12 Masters

^ Requires 450mm Master Liners

^^ Requires 315mm Master Liners

Fusion Equipment: 1442EP Butt Fusion

1442EP Butt Fusion Unit

Description	Stock Number	Weight
1442EP includes joining assembly, pivoting facer and heater assemblies, two hydraulic pipe lifter assemblies. The machine is ditch kit ready, but will require the Ditch Kit Accessory Set for ditch operation.	28-0242-3050-40	8400

Accessories/Replacements

Description	Stock Number	Weight
Pipe Stand	28-8242-5800-30	
Facer Blades Set	28-0242-3980-40	
Ditch Kit Accessory Set: Includes - Hydraulic extension hose assembly, power extension cord, RTD extension cord, heater lift-out channel and heater/facer storage frame.	28-0242-4010-40	
RTD Extension Cord	28-8242-3710-20	
Heater/Facer Storage Frame	28-8242-5960-20	
Heater Lift-Out Channel	28-8242-3630-20	
Hydraulic Extension Hose Assembly	28-8242-5100-30	
Power Extension Cord	28-8242-3720-20	

Liners

Description	Stock Number	Weight
36 IPS x 26 IPS*	28-0242-6540-40	
36 IPS x 28 IPS*	28-0242-6450-40	
36 IPS x 30 IPS*	28-0242-6150-40	
36 IPS x 32 IPS*	28-0242-6120-40	
36 IPS x 34 IPS*	28-0242-6090-40	
42 IPS x 36 IPS (Master)	28-0242-6060-40	
36 IPS x 630MM (Master)*	28-0242-6240-40	
36 IPS x 710MM*	28-0242-6210-40	
36 IPS x 800MM*	28-0242-6180-40	
42 IPS x 900MM	28-0242-6030-40	
42 IPS x 1000MM	28-0242-6000-40	
14IPS***	28-0218-6060-40	121
16IPS***	28-0218-6030-40	74
14DIPS***	28-0218-6560-40	89
16DIPS***	28-0218-6530-40	80
630MM x 500MM**	28-0242-6420-40	
630MM x 560MM**	28-0242-6390-40	
630MM x 18IPS (Master)**	28-0242-6510-40	
630MM x 20 IPS**	28-0242-6330-40	
630MM x 22 IPS**	28-0242-6480-40	
630MM x 24 IPS**	28-0242-6270-40	
630MM x 18DIPS**	28-0242-6360-40	
630MM x 20DIPS**	28-0242-6300-40	

* Requires 36 IPS Master

** Requires both 36 IPS and 630mm Masters

*** Requires 36 IPS, 630mm and 18 IPS Masters



Fusion Equipment: DataConnect Data Recorder



DataConnect

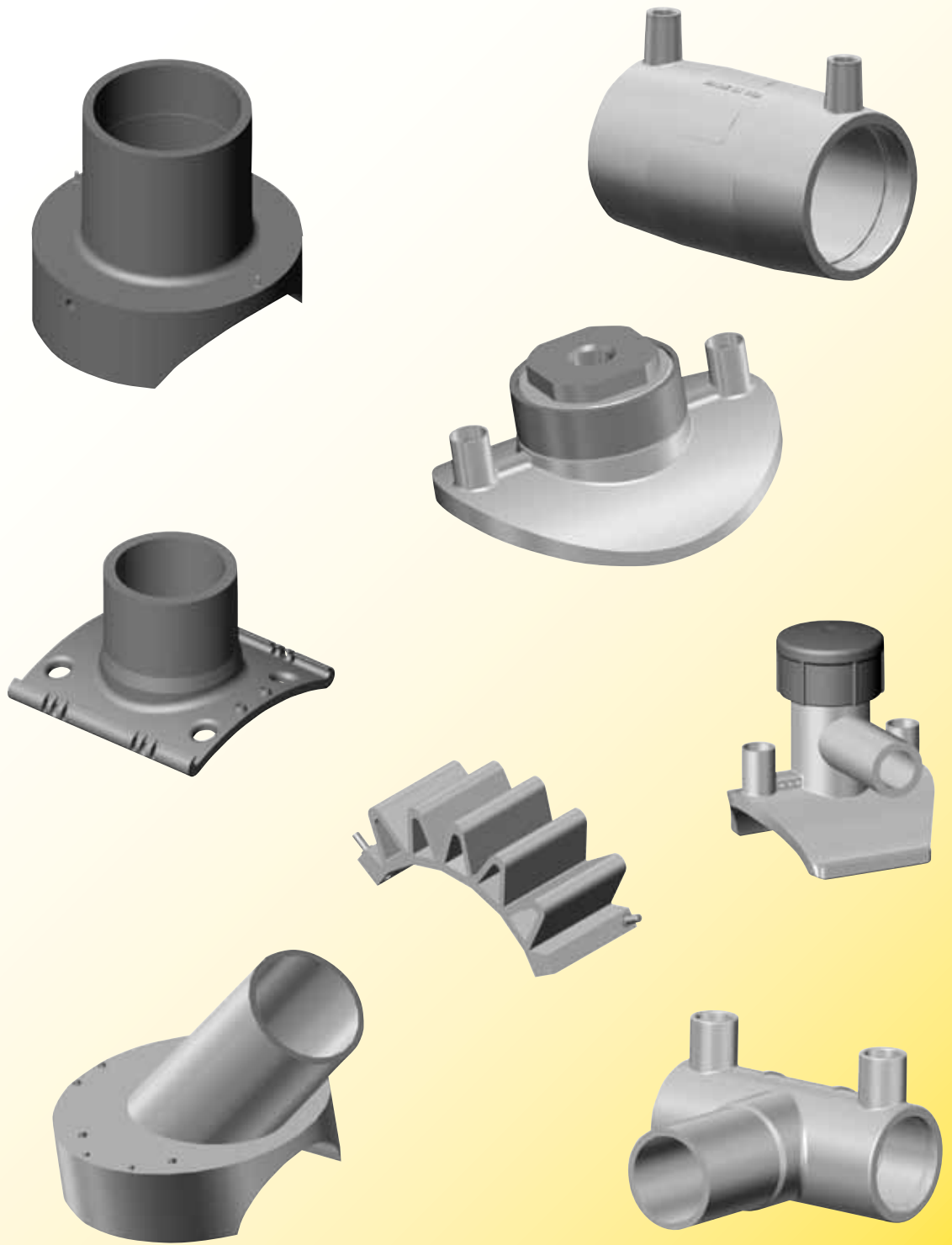
Stock Number	Description	Weight
400066	DataConnect - A data acquisition system that records and documents the heater plate temperature and graphs the pressure and time of the heat soak cycle and the fusion and cooling cycle of the HDPE butt fusion joint. DataConnect is powered directly from the USB port of your computer.	14

Accessories

Stock Number	Description	Weight
300433	Kit, Data Recorder Connector (28EP, 414HP, 414EP, 414SC, 618SC, 620SC)	
300434	Kit, Data Recorder connector (28HP, 28CQ, 28LM, 28GS, 314HP)	
300435	Kit, Data Recorder Connector 28EP, (Three Hose Manifold)	
300437	Kit, Data Recorder Connector 28EP, (Two Hose Manifold)	

Fittings
 Couplings
 Large Dia. Couplings
 Elbows
 Tees
 Reducers
 Caps
 Tapping Tees
 HV Tapping Tees
 Transition Saddles
 Corp Saddles
 Branch Saddles
 Branch Union
 Wyes
 Sewer Saddles
 Flex Restraints

Tools & Equipment:
 Processors
 Scrapers
 Clamps
 Re-Rounding Tools



Electrofusion Products & Equipment

The Right Connection

+GF+

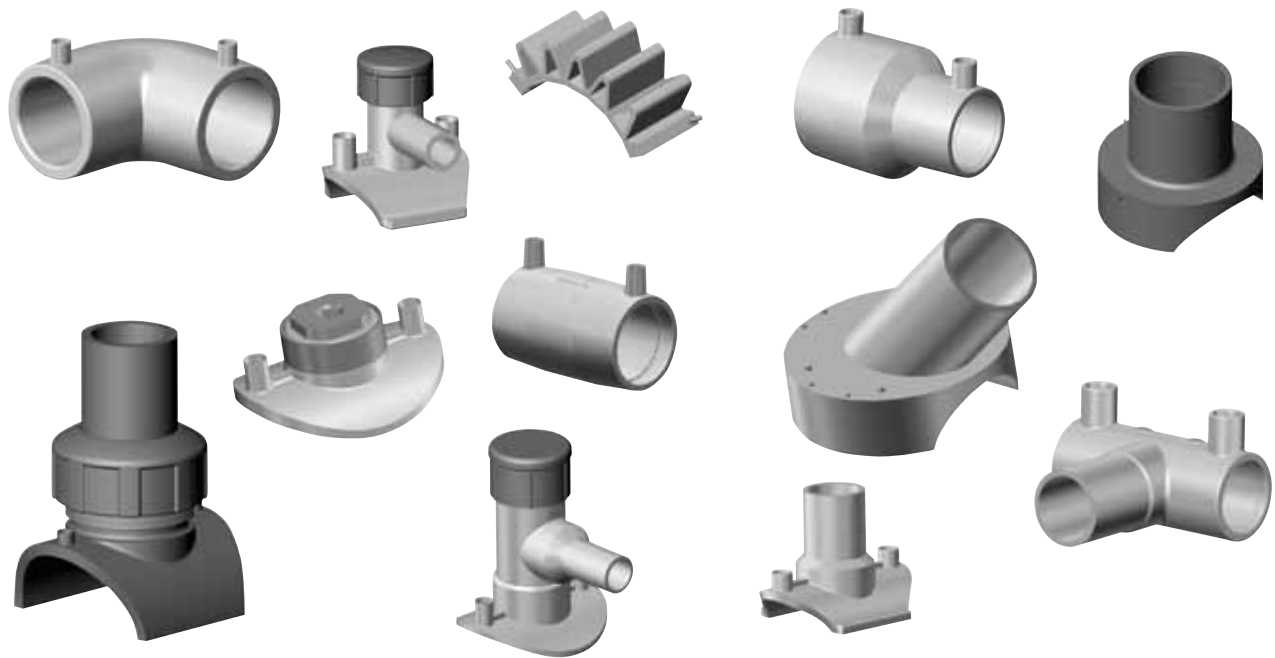
1-800-654-3872

1-405-273-6302

www.centralplastics.com



Electrofusion: Fittings Information



Georg Fischer Central Plastics Electrofusion fittings are designed and manufactured in accordance with ASTM F-1055 for use with pipe conforming to ASTM D2513/3035, F-714 and with Butt fittings conforming to ASTM D3261 as applicable. These fittings can be supplied with an integral identification resistor which is recognized by GF Central Plastics' processors to automatically set the proper fusion parameters. Electrofusion fittings are supplied with a 24 digit ISO compliant barcode label which facilitates the simple input of correct fusion parameters.

PE2406/PE2708 and PE3408/PE4710 Electrofusion fittings are produced from high quality virgin resins that have designated listings of PE2406/2708 or PE3408/PE4710 both of which comply with ASTM D3350.

AVAILABLE FEATURES

- Compatible for fusion to either PE2406/PE2708 or PE3408/PE4710 and other similar pipe.
- Cross-fusion compatible without special fusion instructions
- Pressure rated for natural gas and potable water applications.
- PE3408/PE4710 fittings utilize NSF listed resin
- PE3408/PE4710 fittings are tested to the requirements of AWWA C906
- PE3408/PE4710 fittings are FM approved (where applicable – see FM Section)
- CSA Certification (where applicable)
- Available in metric sizes

Electrofusion: Product Information

According to ASTM F1290-90, electrofusion is defined as

“a heat fusion joining process where the heat source is an integral part of the fitting, such that when an electrical current is applied, heat is produced that melts and joins the plastic.”

At Georg Fischer Central Plastics, we are proud to be recognized as the company that pioneered and introduced the concept of electrofusion to industries throughout the United States in 1983.

Recognized as an industry leader in the world of electrofusion fitting design and manufacturing, GF Central Plastics offers our customers the most complete package of electrofusion fittings. All designed, manufactured and tested in Shawnee, Oklahoma, under the highest ISO 9001 quality standards and serviced by an experienced staff of the most knowledgeable and customer-friendly professionals you could hope to find.

Bringing unrivaled knowledge, experience and manufacturing capabilities to industries throughout the world, GF Central Plastics delivers innovative and cost effective pipe joining solutions right to your door step. Servicing the polyethylene fitting needs in natural gas, potable water, municipal wastewater, oil and gas gathering, mining, landfill, telecommunications, geothermal, irrigation and other industries, Georg Fischer Central Plastics is helping to ensure that your conventional fusion job is done right – the first time.

With an extensive and state of the art in-house testing facility, Georg Fischer Central Plastics performs all of the following tests on all of our Electrofusion fittings.

- ASTM D1599 - Minimum Hydraulic Burst Pressure Test.
- ASTM D1598 - Sustained Pressure Test.
- ASTM F1055 Tensile Strength Test.
- Joint Integrity Test.
- ASTM F1055 9.4.1 Crush test of pipe without separation from electrofusion zone.
- ASTM D3034 - Gasketed Outlet Tested to 30 psi > 100 hrs (where applicable)
- PE3408/PE4710 fittings are tested to the requirements of AWWA C906 (where applicable).

Electrofusion: Allowable Operating Pressures

The following charts represent the **Allowable Operating Pressure** for fittings manufactured from three grades of polyethylene resin used in our products. These values represent the most common **Standard Dimension Ratios (SDR)** used in the two primary industries that we service and are further divided up based on the design factors determined by each of their related governing authorities.

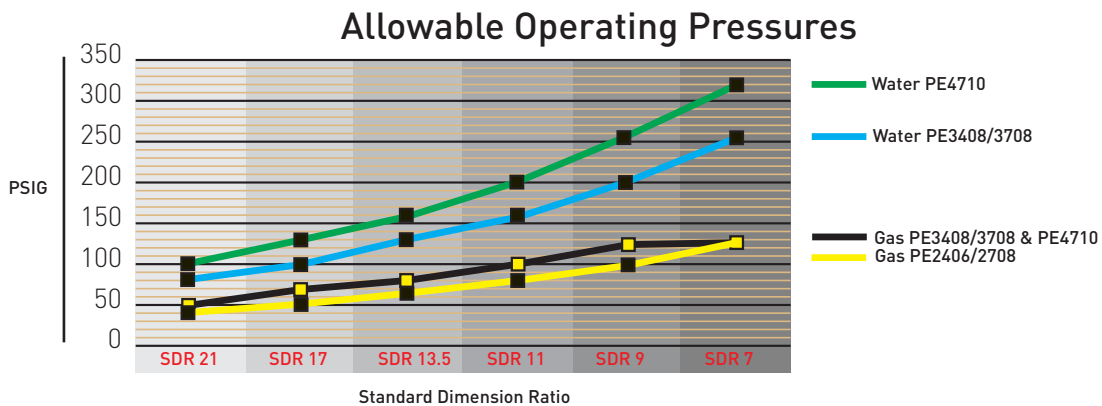
- .32 for natural gas distribution systems regardless of resin used
 - .50 for water applications for PE3408/PE3608 resins
 - .63 for water applications for PE4710 resins
- } All designs factors are assuming a standard operating temperature of 73°F

NOTE: For other fluids, temperatures, chemicals and environmental considerations additional design factors may be required. (Canadian gas utilities use a .40 design factor for their natural gas applications.)

DOT Allowable Operating Pressure for Natural Gas Plastic Pipe Systems			
(.32 design factor @ 73°F)			
SDR	PE 2406/PE2708 DOT Allowable	PE 3408 DOT Allowable	PE4710 DOT Allowable
21	40	50	50
17	50	64	64
13.5	64	80	80
11	80	100	100
9	100	125**	125**
7	125**	125**	125**

Allowable Operating Pressure for Municipal & Industrial Applications		
SDR	PE 3408 (.50 design factor @ 73°F)	PE4710 (.63 design factor @ 73°F)
21	80	100
17	100	130
13.5	130	160
11	160	200
9	200	255
7	265	335

** DOT Regulations only allow a 125 psi max for natural gas plastic pipe systems regardless of the materials Maximum Allowable Operating Pressure (MAOP).



NOTE: Operating Pressure for Electrofusion Tapping Tees and Electrofusion Branch Saddles are determined by the material used, the outlet SDR and the governing regulations.

Electrofusion: Equipment Information

Whether the installer of an electrofusion fitting is in a controlled environment or in one of many rigorous field applications, Georg Fischer Central Plastics recommends the proper use of approved installation equipment in order to ensure the successful installation of the fitting. Electrofusion installation equipment typically falls into one of three general categories:

1. **Pipe preparation equipment** which includes various pieces of equipment used to prepare the pipe surface before the fusion process is initiated. Examples of this type of equipment include tools that are designed to remove calculated amounts of surface material from the pipe as well as re-rounding tools which are necessary at times to ensure that the pipe surface is not outside the published out-of-round pipe tolerances in order for the fusion process to take place.
2. **Pipe restraint devices** include various types of equipment (i.e. clamps and straps) designed to fit specific Georg Fischer Central Plastics fittings for the purpose of holding the fitting in place for the duration of the fusion process and then continuing to immobilize the fitting being installed until the cooling cycle is complete.
3. **Electrofusion Processors** which are specially designed computer-controlled equipment that subject the fitting being installed to a regulated amount of voltage for a designated amount of time.

MANUFACTURERS NOTE

Permanent field installation of electrofusion fittings should be done only by operators who have been properly trained and qualified. Please refer to the Georg Fischer Central Plastics Electrofusion Installation Manual for proper installation techniques. Should you have any questions or need installation training please contact:

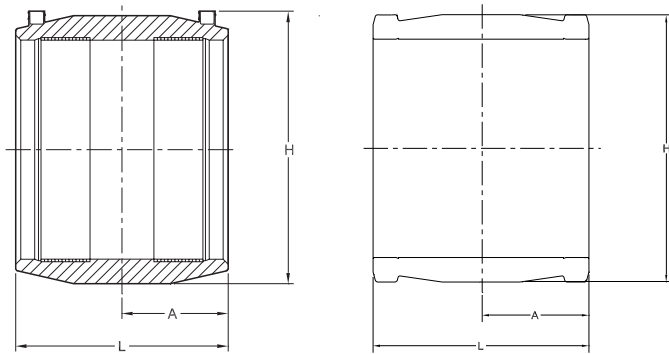
Georg Fischer Central Plastics at (800) 654-3872

or

Your Local GF Central Plastics Representative

Electrofusion Fittings: Couplings

NOTE: Operating Pressure is 200 psi for PE4710 Couplings in allowable applications.



EF COUPLING DIMENSIONS

Nominal Size	H	L	A
½" CTS	2.01	3.15	1.57
½" IPS	2.15	2.98	1.42
¾" CTS	2.15	2.98	1.42
¾" IPS	2.48	3.46	1.73
1" CTS	2.52	3.46	1.73
1" IPS	2.63	3.46	1.73
1¼" CTS	2.56	3.30	1.57
*1¼" DUCT (CON.)	3.00	3.70	1.82
1¼" IPS	3.04	3.86	1.93
*1¼" SIDR 9 (CON.)	3.00	3.70	1.82
1½" IPS	3.36	4.33	2.17
2" IPS	3.78	4.72	2.36
2" CTS	3.59	4.37	2.12
2" IPS	3.82	4.31	2.09
2" IPS CONDUIT	3.55	4.32	2.09
2½" CONDUIT	4.17	4.25	2.06
3" IPS	5.18	5.59	2.72
4" IPS	6.51	6.14	3.00
4" DIPS	6.06	6.93	3.46
5" IPS	7.56	7.17	3.54
6" IPS	8.70	8.35	4.10
6" DIPS	8.74	8.19	4.09
7" IPS	8.93	8.19	4.09
8" IPS	11.20	9.48	4.70
8" DIPS	11.14	10.16	5.08
10" IPS	13.41	10.50	5.00
10" DIPS	13.70	10.90	5.50
12" IPS	15.84	11.50	5.50
12" DIPS	16.20	12.80	6.40

Call for availability of other sizes and dimensions.

* Industrial Non-Compliant ASTM Fittings.

** For Use with Bar-Code Processor Only

4.7R = 4.7 Pin with Resistor

4.7S = 4.7 Solid Pin

(PE2406/PE2708) ELECTROFUSION COUPLINGS

Size	Description	Pin Type	Part Number	Pack. Qty.	Wt.	CSA
½" CTS	ASTM D2513/F1055	4.7 R	5760001	50	0.12	YES
¾" CTS	ASTM D2513/F1055	4.7 R	5757042	40	0.12	-
1" CTS	ASTM D2513/F1055	4.7 R	5760005	25	0.19	YES
1¼" CTS	ASTM D2513/F1055	4.7 R	10001613	30	0.16	-
½" IPS	ASTM D2513/F1055	4.7 R	5757001	40	0.12	YES
¾" IPS	ASTM D2513/F1055	4.7 R	5760004	25	0.16	YES
1" IPS	ASTM D2513/F1055	4.7 R	5760006	25	0.13	YES
1¼" IPS	ASTM D2513/F1055	4.7 R	5760008	50	0.23	YES
1½" IPS	ASTM D2513/F1055	4.7 R	5760010	35	0.41	YES
2" IPS	ASTM D2513/F1055	4.7 R	5760012	25	0.38	YES
3" IPS	ASTM D2513/F1055	4.7 R	5757007	36	1.15	YES
4" IPS	ASTM D2513/F1055	4.7 R	5757008	10	1.57	YES
6" IPS	ASTM D2513/F1055	4.7 R	5757009	8	4.37	YES
8" IPS	ASTM D2513/F1055	4.7 R	5757010	4	8.43	YES

Electrofusion Fittings: Couplings

NOTE: Operating Pressure is 200 psi for PE4710 Couplings in allowable applications.

(PE3408/PE4710) ELECTROFUSION COUPLINGS

Size	Description	Pin Type	Part Number	Pack. Qty.	Wt.	AWWA
½" CTS	ASTM D2513/F1055	4.7 R	5760019	50	0.09	YES
¾" CTS	ASTM D2513/F1055	4.7 R	10004578	40	0.10	YES
1" CTS	ASTM D2513/F1055	4.7 R	5760023	25	0.18	YES
1¼" CTS	ASTM D2513/F1055	4.7 R	10004573	30	0.16	YES
2" CTS	ASTM D2513/F1055	4.7 S	10004580	30	0.46	-
½" IPS	ASTM D2513/F1055	4.7 R	10004627	40	0.13	YES
¾" IPS	ASTM D2513/F1055	4.7 R	5760022	25	0.29	YES
1" IPS	ASTM D2513/F1055	4.7 R	5760024	25	0.14	YES
1¼" IPS	ASTM D2513/F1055	4.7 R	5760026	50	0.28	YES
1½" IPS	ASTM D2513/F1055	4.7 R	5760028	35	0.34	YES
2" IPS	ASTM D2513/F1055	4.7 R	5760030	25	0.38	YES
2½" IPS	CONDUIT PSI=0	3 Pin	call	20	0.55	-
3" IPS	ASTM D2513/F1055	4.7 R	10000358	36	1.57	YES
4" IPS	ASTM D2513/F1055	4.7 R	10000360	10	1.67	YES
6" IPS	ASTM D2513/F1055	4.7 R	10000359	8	4.37	YES
7" IPS	ASTM F1055	4.7 S	10003970	4	7.86	-
8" IPS	ASTM D2513/F1055	4.7 R	10000361	4	8.43	YES
10" IPS	ASTM D2513/F1055	4.7 R	10004579	1	15.40	YES
10" IPS **	ASTM D2513/F1055	4.7 S	10000362	1	15.24	YES
12" IPS	ASTM D2513/F1055	4.7 R	10004571	1	23.10	YES
12" IPS **	ASTM D2513/F1055	4.7 S	10000363	1	23.90	YES
1¼" SIDR 7	1.488 OD CONDUIT PSI=0	4.7 R	10004575	40	0.29	-
1¼" SIDR 9	1.580 OD CONDUIT PSI=0	4.7 R	10004577	30	0.24	-
4" DIPS	ASTM D2513/ F1055	4.7 S	10000353	10	2.34	YES
6" DIPS	ASTM D2513/ F1055	4.7 S	10000354	8	4.59	YES
8" DIPS	ASTM D2513/ F1055	4.7 S	10000355	4	8.37	YES
10" DIPS	ASTM D2513/ F1055	4.7 S	10000356	1	17.43	YES
12" DIPS	ASTM D2513/F1055	4.7 S	10000357	1	25.67	YES

Call for availability of other sizes and dimensions.

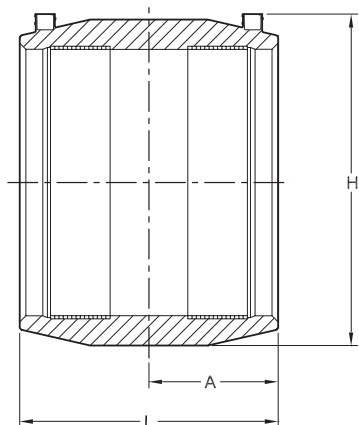
** For Use with Bar-Code Processor Only

4.7R = 4.7 Pin with Resistor

4.7S = 4.7 Solid Pin

Electrofusion Fittings: Large Diameter Couplings

NOTE: Operating Pressure is 200 psi for PE4710 Couplings in allowable applications



EF LARGE DIAMETER COUPLING DIMENSIONS

Nominal Size	H	L	A
14" IPS	17.24	12.13	6.06
14" DIPS	19.65	13.54	6.77
16" IPS	19.65	13.54	6.77
16" DIPS	22.13	14.96	7.48
18" IPS	22.13	14.96	7.48
18" DIPS	24.57	16.46	8.23
20" IPS	24.57	16.46	8.23
20" DIPS	27.21	17.95	8.98
22" IPS	27.21	17.95	8.98
24" IPS	30.59	19.50	9.75
24" DIPS	31.69	19.50	9.75

(PE3408/PE4710) LARGE DIAMETER ELECTROFUSION COUPLINGS

Size	Description	Pin Type	Part Number	Pack. Qty.	Wt.	AWWA
14" IPS	ASTM D2513/F1055	4.7 S	10000202	1	35.19	YES
16" IPS	ASTM D2513/F1055	4.7 S	10000204	1	47.10	YES
18" IPS	ASTM D2513/F1055	4.7 S	10000207	1	65.60	YES
20" IPS	ASTM D2513/F1055	4.7 S	10000210	1	91.00	YES
22" IPS	ASTM D2513/F1055	4.7 S	10000213	1	118.00	YES
24" IPS	ASTM D2513/F1055	4.7 S	10000216	1	184.00	YES
26" IPS	ASTM D2513/F1055	4.7 S	10004581	1	155.00	-
14" DIPS	ASTM D2513/F1055	4.7 S	10000205	1	57.00	YES
16" DIPS	ASTM D2513/F1055	4.7 S	10000208	1	71.00	YES
18" DIPS	ASTM D2513/F1055	4.7 S	10000211	1	94.00	YES
20" DIPS	ASTM D2513/F1055	4.7 S	10000214	1	125.00	YES
24" DIPS	ASTM D2513/F1055	4.7 S	10000218	1	176.00	YES

Call for availability of other sizes and dimensions

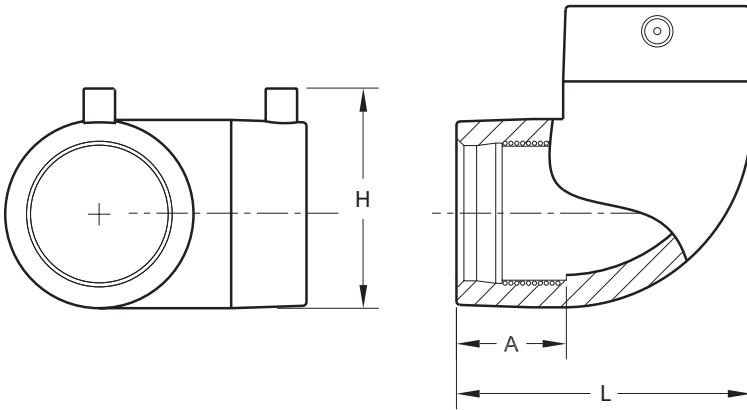
4.7R = 4.7 Pin with Resistor

4.7S = 4.7 Solid Pin

NOTE: Large Diameter Couplings are available only to approved Distributors.

Call for information about distributors in your area.

Electrofusion Fittings: Elbows



EF ELBOW DIMENSIONS

Nominal Size	H	L	A
1" IPS	2.63	2.60	1.38
2" IPS	3.95	5.05	2.27

(PE3408/PE4710) ELECTROFUSION ELBOWS

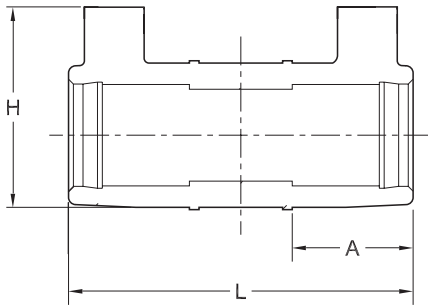
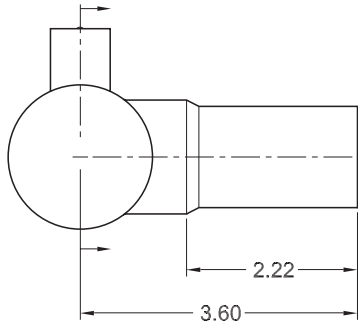
Size	Description	Pin Type	Part Number	Pack. Qty.	Wt.	AWWA
1" IPS	ASTM D2513/F1055	4.7 R	5751120	30	0.18	-
2" IPS	ASTM D2513/F1055	4.7 R	5751590	40	0.78	-

Call for availability of other sizes and dimensions

4.7R = 4.7 Pin with Resistor

4.7S = 4.7 Solid Pin.

Electrofusion Fittings: Tees



EF TEE DIMENSIONS

Nominal Size	H	L	A
3/4" x 3/4" x 1/2"	2.45	3.90	1.36
3/4" IPS	2.45	3.90	1.36
1" IPS	2.60	4.47	1.57
1 1/4" IPS	3.00	5.24	1.82
2" IPS	3.95	6.51	2.26

(PE 2406/PE2708) ELECTROFUSION TEES

Size	Description	Pin Type	Part No.	Pack. Qty.	Wt.	CSA
3/4" IPS	ASTM D2513/F1055/D3261	4.7 R	5757077	20	0.28	-

(PE3408/PE4710) ELECTROFUSION TEES

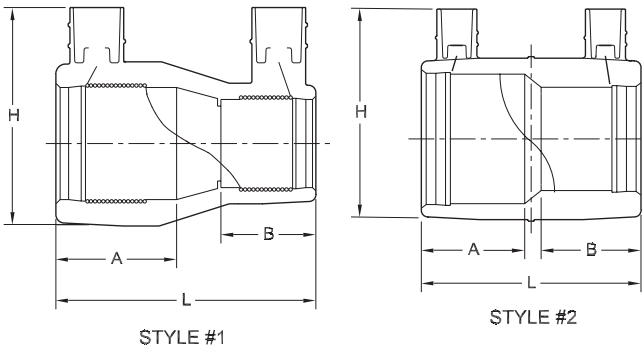
Size	Description	Pin Type	Part Number	Pack. Qty.	Wt.	AWWA
3/4" IPS	ASTM D2513/F1055/D3261	4.7 R	10004638	40	0.29	YES
1" IPS	ASTM D2513/F1055/D3261	4.7 R	5751589	100	0.21	-
1 1/4" IPS	ASTM D2513/F1055/D3261	4.7 R	5751588	32	0.39	-
2" IPS	ASTM D2513/F1055/D3261	4.7 R	5751587	32	0.99	-

Call for availability of other sizes and dimensions

4.7R = 4.7 Pin with Resistor

4.7S = 4.7 Solid Pin .

Electrofusion Fittings: Reducers



EF REDUCER DIMENSIONS

Nominal Size	Style	H	L	A	B
¾" IPS × ½" CTS	1	2.50	3.28	1.25	1.47
¾" IPS × ½" IPS	1	2.50	3.28	1.47	1.55
1" CTS × ½" CTS	1	2.50	3.28	1.31	1.47
1" CTS × ¾" IPS	2	2.50	3.28	1.36	1.44
1" IPS × ½" CTS	1	2.60	3.28	1.46	1.46
1" IPS × ½" IPS	1	2.60	3.28	1.46	1.53
1" IPS × ¾" IPS	1	2.63	3.28	1.42	1.43
1" IPS × 1" CTS	1	2.63	3.28	1.42	1.43
1¼" CTS × 1" CTS	1	2.56	3.30	1.53	1.52
1¼" CTS × 1" IPS	2	2.56	3.30	1.55	1.55
1¼" IPS × 1" IPS	2	3.00	3.70	1.88	1.57

Call for availability of other sizes and dimensions

4.7R = 4.7 Pin with Resistor

4.7S = 4.7 Solid Pin

** Indicates a kit: Kit consists of 1 electrofusion coupling and 1 butt fusion reducer.

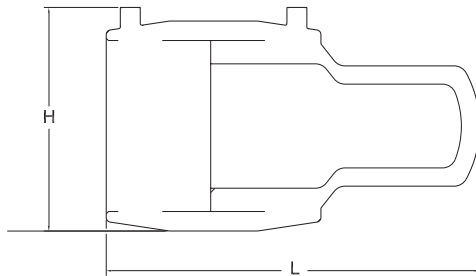
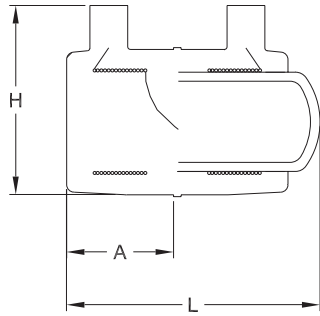
(PE2406/PE2708) ELECTROFUSION REDUCERS

Max Size	Minimum Size	Pin Type	Part Number	Pack. Qty.	Wt.	CSA
¾" IPS	½" CTS	4.7 R	5757069	40	0.133	YES
¾" IPS	½" IPS	4.7 R	10000477	40	0.140	-
1" CTS	½" CTS	4.7 R	10000481	40	0.135	-
1" CTS	¾" IPS	4.7 R	10000479	40	0.136	-
1" IPS	½" CTS	4.7 R	5757070	30	0.167	YES
1" IPS	½" IPS	4.7 R	5757072	30	0.184	YES
1" IPS	¾" IPS	4.7 R	5757073	30	0.175	YES
1" IPS	1" CTS	4.7 R	5757071	30	0.160	YES
1¼" CTS	1" CTS	4.7 R	10000518	40	0.160	-
1¼" CTS	1" IPS	4.7 R	5757068	30	0.150	-
1¼" IPS	1" IPS	4.7 R	5757074	40	0.275	YES
2" IPS	1¼" IPS	4.7 R	5753257	30	0.40	-
3" IPS**	2" IPS	4.7 R	5753260	25	0.50	-
4" IPS**	2" IPS	4.7 R	5753262	20	0.60	-
4" IPS**	3" IPS	4.7 R	5753264	20	0.65	-
6" IPS**	4" IPS	4.7 R	5753266	10	1.25	-

(PE3408/PE4710) ELECTROFUSION REDUCERS

Max Size	Minimum Size	Pin Type	Part Number	Pack. Qty.	Wt.	AWWA
¾" IPS	½" CTS	4.7 R	10004595	40	0.15	YES
1" CTS	¾" IPS	4.7 R	10008849	40	0.17	-
1" IPS	½" CTS	4.7 R	10003869	30	0.17	YES
1" IPS	¾" IPS	4.7 R	10003816	30	0.19	YES
1" IPS	1" CTS	4.7 R	10004629	30	0.17	YES
1¼" CTS	1" IPS	4.7 R	10004630	30	0.18	YES
1¼" IPS	1" CTS	4.7 R	10008218	40	0.33	-
1¼" IPS	1" IPS	4.7 R	10004625	40	0.20	YES
2" IPS	1¼" IPS	4.7 R	10004632	30	0.50	YES

Electrofusion Fittings: End Cap Assembly



EF END CAP DIMENSIONS

Nominal Size	H	L	A
½" CTS	1.87	3.15	1.36
½" IPS	2.15	3.31	1.42
¾" CTS	2.15	3.70	1.42
¾" IPS	2.32	3.52	1.36
1" CTS	2.32	2.98	1.36
1" IPS	2.56	3.82	1.57
1¼" CTS	2.56	4.82	1.57
1¼" IPS	3.00	5.13	1.82
1½" IPS	3.27	4.59	1.89
2" IPS	3.82	4.94	2.09
3" IPS	5.18	10.30	2.72
4" IPS	6.51	10.89	3.00
6" IPS	8.70	14.71	4.10
8" IPS	11.20	15.61	4.70

Call for availability of other sizes and dimensions.

4.7R = 4.7 Pin with Resistor

4.7S = 4.7 Solid Pin.

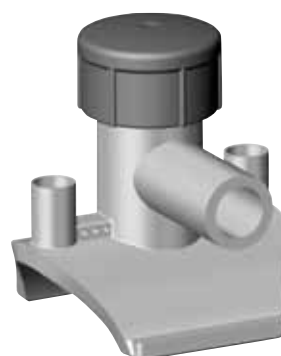
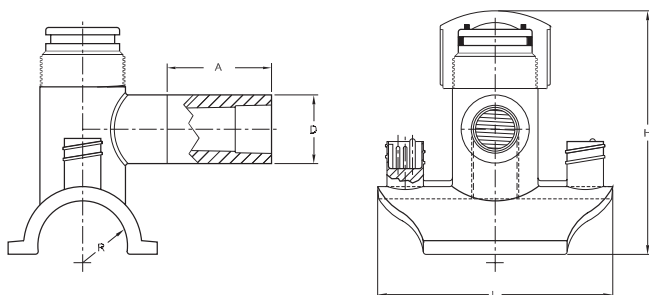
(PE2406/PE2708) ELECTROFUSION CAPS

Size	Description	Pin Type	Part Number	Pack. Qty.	Wt.	CSA
½" CTS	ASTM D2513/F1055	4.7 R	5753281	40	0.13	-
1¼" CTS	ASTM D2513/F1055	4.7 R	5753279	30	0.35	-
1¼" IPS	ASTM D2513/F1055	4.7 R	5753273	30	0.37	-
3" IPS	ASTM D2513/F1055	4.7 R	5753247	10	2.17	-
4" IPS	ASTM D2513/F1055	4.7 R	5753249	10	3.10	-
6" IPS	ASTM D2513/F1055	4.7 R	5753251	6	4.75	-

(PE3408/PE4710) ELECTROFUSION CAPS

Size	Description	Pin Type	Part No.	Pack. Qty.	Wt.	AWWA
½" CTS	ASTM D2513/F1055	4.7 R	5760300	40	0.13	YES
1" CTS	ASTM D2513/F1055	4.7 R	10004867	40	0.22	-
1¼" CTS	ASTM D2513/F1055	4.7 R	10004561	30	0.35	-
¾" IPS	ASTM D2513/F1055	4.7 R	5760303	50	0.22	-
1" IPS	ASTM D2513/F1055	4.7 R	5760305	40	0.21	-
1¼" IPS	ASTM D2513/F1055	4.7 R	5760307	40	0.36	-
2" IPS	ASTM D2513/F1055	4.7 R	5760311	30	0.60	-
3" IPS	ASTM D2513/F1055	4.7 R	10004564	10	2.17	YES
4" IPS	ASTM D2513/F1055	4.7 R	10004565	10	3.09	YES
6" IPS	ASTM D2513/F1055	4.7 R	10004566	10	4.75	YES
8" IPS	ASTM D2513/F1055	4.7 R	10004567	10	8.87	YES

Electrofusion Fittings: Tapping Tees w/Socket Outlet



Single pin fittings also available.

4.7R = 4.7 Pin with Resistor

4.7S = 4.7 Solid Pin

SOCKET FUSION OUTLET DIMENSIONS

Nominal Pipe Outlet	A	D
1/2" CTS	2.22	1.31
3/4" IPS	2.22	1.46

EF TAPPING TEE DIMENSIONS

Nominal Pipe Saddle	H	L
1 1/4" IPS	4.83	4.58
1 1/2" IPS	4.94	4.50
2" IPS	5.06	4.50
3" IPS	5.18	4.58
4" IPS/DIPS	5.93	4.46
6" IPS/DIPS	7.06	4.61
8" IPS/DIPS	4.14	4.60
10" IPS/DIPS	4.14	4.60

(PE 2406/2708) ELECTROFUSION TAPPING TEE w/Socket Outlet

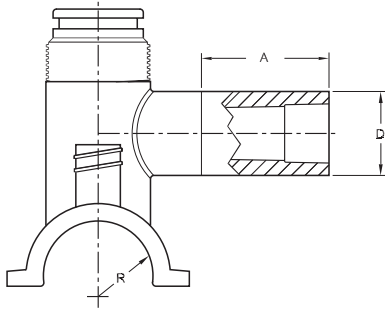
Outlet Size	Main Size	Cutter Size Material	Pin Type	Clamp Type	Part Number	Pack. Qty.	Wt.	CSA
1/2" CTS	1 1/4" IPS	0.5 / Steel	4.7 R	A	5757090	50	0.84	-
1/2" CTS	2" IPS	0.5 / Steel	4.7 R	B	5757091	40	0.88	-
1/2" CTS	3" IPS	0.5 / Steel	4.7 R	C	5757092	40	0.92	-
1/2" CTS	4" IPS	0.5 / Steel	4.7 R	D	5757093	30	1.01	-
1/2" CTS	6" IPS	0.5 / Steel	4.7 R	E	5757094	20	1.26	-
1/2" CTS	8-10" IPS	0.5 / Steel	4.7 R	H	10002864	20	0.85	-
1/2" IPS	1 1/4" IPS	0.5 / Steel	4.7 R	A	10009386	-	-	-
1/2" IPS	2" IPS	0.5 / Steel	4.7 R	B	call	-	-	-
1/2" IPS	3" IPS	0.5 / Steel	4.7 R	C	call	-	-	-
1/2" IPS	4" IPS	0.5 / Steel	4.7 R	D	5757244	30	1.04	-
1/2" IPS	6" IPS	0.5 / Steel	4.7 R	E	call	-	-	-
1/2" IPS	8-10" IPS	0.5 / Steel	4.7 R	H	call	-	-	-

(PE2406/PE2708) ELECTROFUSION TAPPING TEE w/Socket Outlet

Outlet Size	Main Size	Cutter Size Material	Pin Type	Clamp Type	Part Number	Pack. Qty.	Wt.	CSA
3/4" IPS	1 1/4" IPS	0.8 / Steel	4.7 R	A	5757095	50	0.80	-
3/4" IPS	1 1/4" IPS	0.8 / Steel	4.7 R	Underpart	10009386	50	0.80	-
3/4" IPS	2" IPS	0.8 / Steel	4.7 R	B	5757097	-	-	-
3/4" IPS	2" IPS	0.8 / Steel	4.7 R	Underpart	10009393	-	-	-
3/4" IPS	3" IPS	0.8 / Steel	4.7 R	C	5757099	40	0.91	-
3/4" IPS	4" IPS	0.8 / Steel	4.7 R	D	5757100	30	1.00	-
3/4" IPS	6" IPS	0.8 / Steel	4.7 R	E	5757102	20	1.18	YES
3/4" IPS	8-10" IPS	0.5 / Steel	4.7 R	H	call	-	-	-

Electrofusion Fittings: Tapping Tee Trainers

At GF Central Plastics, we make every effort to manufacture the very best products, but they are only to be installed by properly trained and qualified workers. It is the employer's responsibility to provide their workers with both the proper fusion equipment and sufficient training to install the fittings correctly and safely. Tapping Tee Trainers do not have cutters or caps. They are only to be used to qualify an installers adherence to established installation procedures.



(PE2406/PE2708) ELECTROFUSION TAP TEE TRAINER w/Butt Outlet

Outlet Size	Main Size	Cutter Size Material	Pin Type	Clamp Type	Part Number	Pack. Qty.	Wt.
½" CTS	2" IPS	n/a	4.7 R	B	5757147	50	0.49
1" CTS	2" IPS	n/a	4.7 R	B	5757146	50	0.48
1" IPS	1¼" IPS	n/a	4.7 R	A	5757154	50	0.48
1" IPS	2" IPS	n/a	4.7 R	B	5757148	50	0.50
1" IPS	4" IPS	n/a	4.7 R	D	5757166	50	0.57
1" IPS	6" IPS	n/a	4.7 R	E	5757165	50	0.57

(PE3408/PE4710) ELECTROFUSION TAP TEE TRAINER w/Butt Outlet

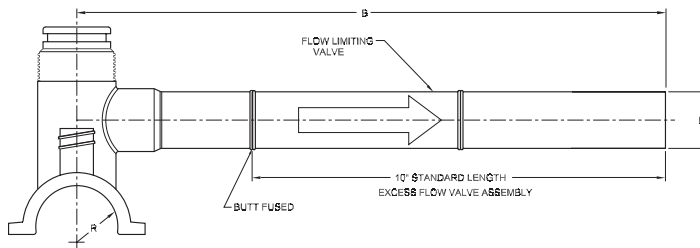
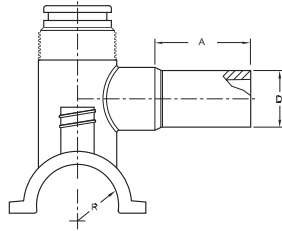
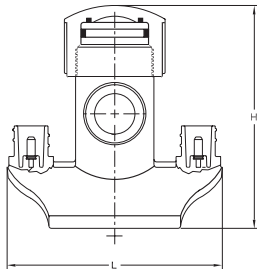
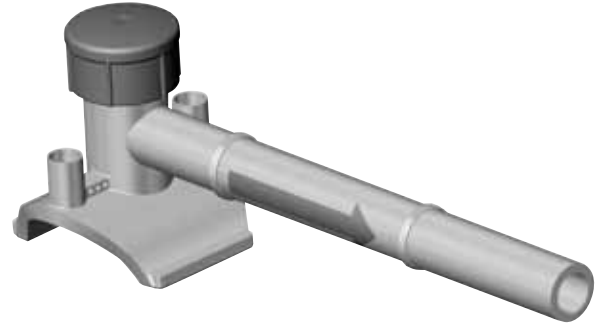
Outlet Size	Main Size	Cutter Size Material	Pin Type	Clamp Type	Part Number	Pack. Qty.	Wt.
1" IPS	2" IPS	n/a	4.7 R	B	10004808	50	0.49
1" IPS	2" IPS	n/a	4.7 R	Underpart	10009396		

Call for availability of other sizes and dimensions.

4.7R = 4.7 Pin with Resistor

4.7S = 4.7 Solid Pin

Electrofusion Fittings: Tapping Tees w/Excess Flow Valve

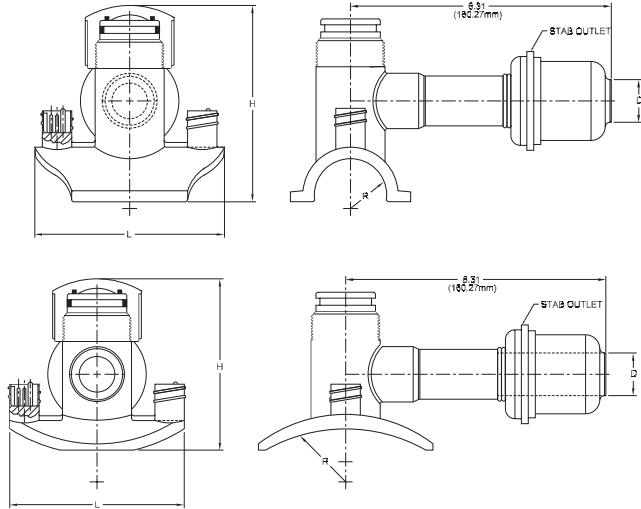
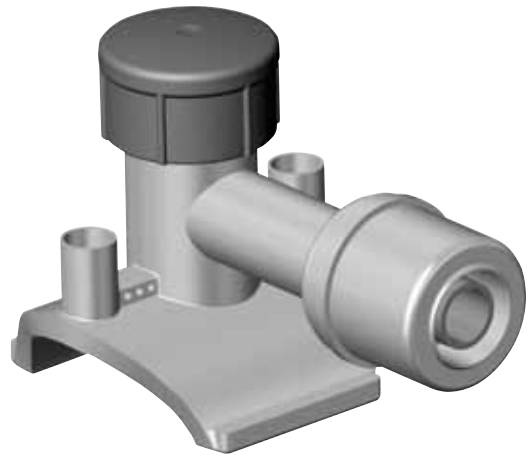


ELECTROFUSION TAPPING TEES w/Excess Flow Valve

Main Size	Outlet Size	Cutter Size & Material	Pressure Rating	Part No.	Pack. Qty.	Wt.	CSA	IAPMO	AWWA	FM
<p>GF Central Plastics offers factory-installed excess flow valves from most EFV manufacturers on our electrofusion tapping tees. When calling for pricing and availability, please provide the following information: base size, outlet size, EFV brand and EFV model.</p>										

Call for availability of other sizes and dimensions.

Electrofusion Fittings: Tapping Tees w/Stab Outlet

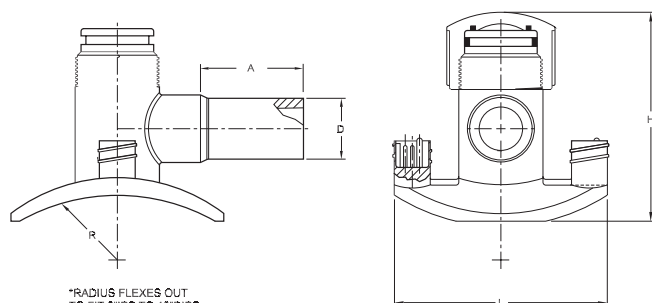
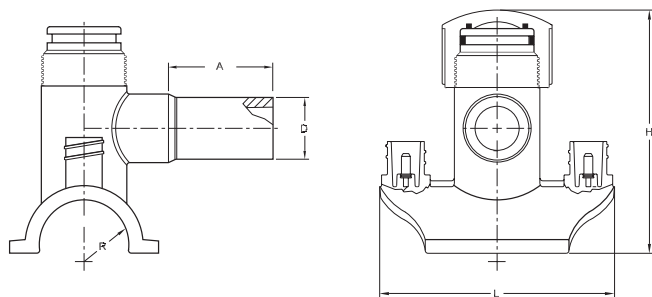


ELECTROFUSION TAPPING TEES w/Excess Flow Valve

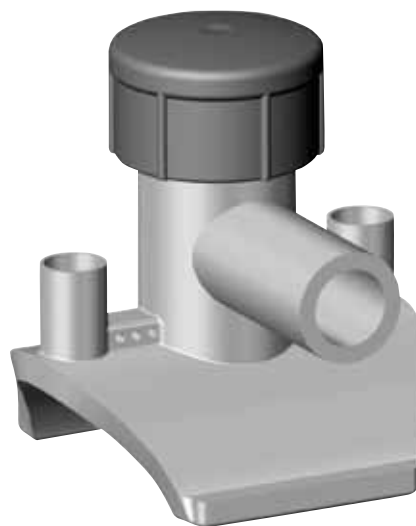
Main Size	Outlet Size	Cutter Size & Material	Pressure Rating	Part No.	Pack. Qty.	Wt.	CSA	IAPMO	AWWA	FM
<p>GF Central Plastics offers factory-installed stab outlets on our electrofusion tapping tees. When calling for pricing and availability, please provide the following information: base size, outlet size.</p>										

Call for availability of other sizes and dimensions.

Electrofusion Fittings: Tapping Tees (EFTT) w/Butt Outlet



*RADIUS FLEXES OUT TO FIT 8"IPS TO 10" DIPS PE PIPES WHEN USED WITH TOP LOAD CLAMPS



BUTT FUSION OUTLET DIMENSIONS

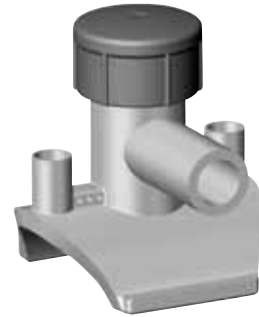
Outlet Size	A	D
1/2" CTS	2.22	0.62
1/2" IPS	2.22	0.84
3/4" CTS	2.22	0.87
3/4" IPS	2.22	1.05
1" CTS	2.22	1.12
1" IPS	2.22	1.31

EF TAPPING TEE DIMENSIONS

Base Size	H	L
1 1/4" IPS	4.83	4.58
1 1/2" IPS	4.94	4.50
2" CTS	4.94	4.50
2" IPS	5.06	4.50
3" IPS	5.18	4.58
4" IPS/DIPS	5.93	4.46
6" IPS/DIPS	7.06	4.61
8" IPS/DIPS	4.14	4.60
10" IPS/DIPS	4.14	4.60

Call for availability of other sizes and dimensions.

Electrofusion Fittings: Tapping Tees (EFTT) w/Butt Outlet



Call for availability of other sizes and dimensions.

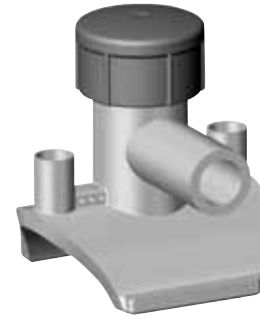
4.7R = 4.7 Pin with Resistor

4.7S = 4.7 Solid Pin

(PE2406/PE2708) ELECTROFUSION TAPPING TEE w/Butt Outlet

Outlet Size	Main Size	Cutter Size Material	Pin Type	Clamp Type	Part Number	Pack. Qty.	Wt.	CSA
1/2" CTS	1 1/4" IPS	0.5 / Steel	4.7 R	A	5757017	50	0.88	YES
1/2" CTS	1 1/4" IPS	0.8 / Steel	4.7 R	Underpart	10009385			YES
1/2" CTS	2" IPS	0.5 / Steel	4.7 R	B	5757018	50	0.80	YES
1/2" CTS	2" IPS	0.8 / Steel	4.7 R	Underpart	10009409			YES
1/2" CTS	3" IPS	0.5 / Steel	4.7 R	C	5757019	40	0.95	YES
1/2" CTS	4" IPS	0.5 / Steel	4.7 R	D	5757020	30	1.04	YES
1/2" CTS	4" IPS	0.8 / Steel	4.7 R	Underpart	10009400			YES
1/2" CTS	6" IPS	0.5 / Steel	4.7 R	E	5757021	20	1.25	YES
1/2" CTS	6" IPS	0.5 / Steel	4.7 R	Underpart	10009404			
1/2" CTS	8-10" IPS	0.5 / Steel	4.7 R	H	5757174	40	0.80	YES
1/2" IPS	1 1/4" IPS	0.5 / Steel	4.7 R	A	5757022	50	0.80	YES
1/2" IPS	2" IPS	0.5 / Steel	4.7 R	B	5757023	40	0.88	YES
1/2" IPS	3" IPS	0.5 / Steel	4.7 R	C	5757024	40	1.07	YES
1/2" IPS	4" IPS	0.5 / Steel	4.7 R	D	5757025	30	0.96	YES
1/2" IPS	6" IPS	0.5 / Steel	4.7 R	E	5757026	20	1.25	YES
1/2" IPS	8-10" IPS	0.5 / Steel	4.7 R	H	5757236	40	0.80	YES
3/4" CTS	1 1/4" IPS	0.5 / Steel	4.7 R	A	5757160	50	0.00	YES
3/4" CTS	2" IPS	0.8 / Steel	4.7 R	B	5757161	40	0.82	YES
3/4" CTS	3" IPS	0.8 / Steel	4.7 R	C	5757162	-	-	-
3/4" CTS	4" IPS	0.8 / Steel	4.7 R	D	5757163	30	0.96	YES
3/4" CTS	6" IPS	0.8 / Steel	4.7 R	E	5757164	-	-	-
3/4" CTS	8-10" IPS	0.8 / Steel	4.7 R	H	5757167	40	0.79	YES
3/4" IPS	1 1/4" IPS	0.8 / Steel	4.7 R	A	5757084	50	0.79	YES
3/4" IPS	2" IPS	0.8 / Steel	4.7 R	B	5757087	40	0.80	YES
3/4" IPS	2" IPS	0.8 / Steel	4.7 R	Underpart	10009392			YES
3/4" IPS	3" IPS	0.8 / Steel	4.7 R	C	5757088	40	0.88	YES
3/4" IPS	4" IPS	0.8 / Steel	4.7 R	D	5757141	30	0.98	YES
3/4" IPS	4" IPS	0.8 / Steel	4.7 R	Underpart	10009401	30	0.98	YES
3/4" IPS	6" IPS	0.8 / Steel	4.7 R	E	5757143	20	1.15	YES
3/4" IPS	6" IPS	0.8 / Steel	4.7 R	Underpart	10009405	20	1.15	YES
3/4" IPS	8-10" IPS	0.5 / Steel	4.7 R	H	5757237	40	0.80	YES
1" CTS	1 1/4" IPS	0.8 / Steel	4.7 R	A	5757030	50	0.78	YES
1" CTS	2" IPS	0.8 / Steel	4.7 R	B	5757032	40	0.82	YES
1" CTS	2" IPS	0.8 / Steel	4.7 R	Underpart	10009397			CSA
1" CTS	3" IPS	0.8 / Steel	4.7 R	C	5757033	40	0.87	YES
1" CTS	4" IPS	0.8 / Steel	4.7 R	D	5757034	30	1.19	YES
1" CTS	6" IPS	0.8 / Steel	4.7 R	E	5757036	20	1.15	YES
1" CTS	6" IPS	0.8 / Steel	4.7 R	Underpart	10009407	20	1.15	YES
1" CTS	8-10" IPS	0.8 / Steel	4.7 R	H	5757038	40	0.81	YES

Electrofusion Fittings: Tapping Tees (EFTT) w/Butt Outlet



Call for availability of other sizes and dimensions.

4.7R = 4.7 Pin with Resistor

4.7S = 4.7 Solid Pin

(PE2406/PE2708) ELECTROFUSION TAPPING TEE

Outlet Size	Main Size	Cutter Size Material	Pin Type	Clamp Type	Part Number	Pack. Qty.	Wt.	CSA
1" IPS	1¼" IPS	0.8 / Steel	4.7 R	A	5757083	50	0.80	YES
1" IPS	1¼" IPS	0.8 / Steel	4.7 R	Underpart	10009388	50.	0.80.	YES
1" IPS	2" IPS	0.8 / Steel	4.7 R	B	5757150	40	0.85	YES
1" IPS	2" IPS	0.8 / Steel	4.7 R	UP	10009398			YES
1" IPS	3" IPS	0.8 / Steel	4.7 R	C	5757151	40	0.90	YES
1" IPS	3" IPS	0.8 / Steel	4.7 R	Underpart	10009399			YES
1" IPS	4" IPS	0.8 / Steel	4.7 R	D	5757152	30	1.00	YES
1" IPS	4" IPS	0.8 / Steel	4.7 R	Underpart	10009403			YES
1" IPS	6" IPS	0.8 / Steel	4.7 R	E	5757153	20	1.21	YES
1" IPS	6" IPS	0.8 / Steel	4.7 R	Underpart	10009408			YES
1" IPS	8-10" IPS	0.8 / Steel	4.7 R	H	5757157	40	0.80	YES
1¼" CTS	2" IPS	0.8 / Steel	4.7 R	B	5757086	40	0.84	-
1¼" CTS	4" IPS	0.8 / Steel	4.7 R	D	5757140	30	0.98	-
1¼" CTS	6" IPS	0.8 / Steel	4.7 R	E	5757142			-
1¼" CTS	8-10" IPS	0.8 / Steel	4.7 R	H	5757145	40	0.82	-

(PE3408/PE4710) ELECTROFUSION TAPPING TEE w/Butt Outlet & Steel Cutter

Outlet Size	Main Size	Cutter Size Material	Pin Type	Clamp Type	Part Number	Pack. Qty.	Wt.	AWWA
½" CTS	1¼" IPS	0.8 / Steel	4.7 R	A	10004749	50	0.80	-
½" CTS	2" IPS	0.8 / Steel	4.7 R	B	10004761	50	0.83	-
½" CTS	2" IPS	0.5 / Steel	4.7 R	B	call	-	-	-
½" CTS	2" IPS	0.8 / Steel	4.7 R	UP	10009389			-
½" CTS	3" IPS	0.5 / Steel	4.7 R	C	call	-	-	-
½" CTS	4" IPS	0.5 / Steel	4.7 R	D	call	-	-	-
½" CTS	6" IPS	0.5 / Steel	4.7 R	E	call	-	-	-
½" CTS	8-10" IPS	0.5 / Steel	4.7 S	H	call	-	-	-
½" IPS	1¼" IPS	0.5 / Steel	4.7 R	A	call	-	-	-
½" IPS	2" IPS	0.5 / Steel	4.7 R	B	call	-	-	-
½" IPS	3" IPS	0.5 / Steel	4.7 R	C	call	-	-	-
½" IPS	4" IPS	0.5 / Steel	4.7 R	D	call	-	-	-
½" IPS	6" IPS	0.5 / Steel	4.7 R	E	call	-	-	-
½" IPS	8-10" IPS	0.5 / Steel	4.7 R	H	call	-	-	-
¾" CTS	1¼" IPS	0.8 / Steel	4.7 R	A	call	-	-	-
¾" CTS	2" IPS	0.8 / Steel	4.7 R	B	call	-	-	-
¾" CTS	3" IPS	0.8 / Steel	4.7 R	C	call	-	-	-
¾" CTS	4" IPS	0.8 / Steel	4.7 R	D	call	-	-	-
¾" CTS	6" IPS	0.8 / Steel	4.7 R	E	call	-	-	-
¾" CTS	8-10" IPS	0.8 / Steel	4.7 R	H	call	-	-	-

Electrofusion Fittings: Tapping Tees (EFTT) w/Butt Outlet

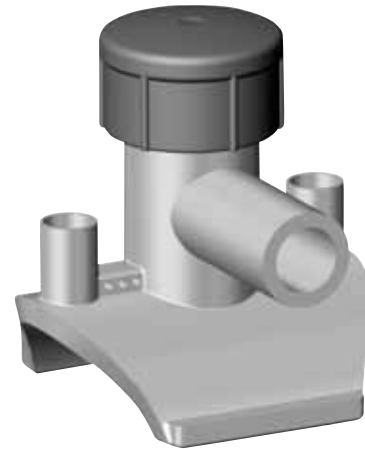
(PE3408/PE4710) ELECTROFUSION TAPPING TEE w/Butt Outlet & Steel Cutter

Outlet Size	Main Size	Cutter Size Material	Pin Type	Clamp Type	Part No.	Pack. Qty.	Wt.	AWWA
¾" IPS	1¼" IPS	0.8 / Steel	4.7 R	Underpart	10010422	-	-	-
¾" IPS	2" IPS	0.8 / Steel	4.7 R	Underpart	10010423	-	-	-
¾" IPS	3" IPS	0.8 / Steel	4.7 R	Underpart	10010424	-	-	-
¾" IPS	4" IPS	0.8 / Steel	4.7 R	Underpart	10010425	-	-	-
¾" IPS	6" IPS	0.8 / Steel	4.7 R	Underpart	10010426	-	-	-
¾" IPS	8"-10" IPS	0.8 / Steel	4.7 R	Underpart	10010427	-	-	-
1" CTS	1¼" IPS	0.8 / Steel	4.7 R	A	call	-	-	-
1" CTS	2" CTS	0.8 / Steel	4.7 R	AB	10002905	30	0.83	-
1" CTS	2" IPS	0.8 / Steel	4.7 R	B	call	-	-	-
1" CTS	2" IPS	0.8 / Steel	4.7 R	Underpart	10009394	-	-	-
1" CTS	3" IPS	0.8 / Steel	4.7 R	C	10007349	-	-	-
1" CTS	4" IPS	0.8 / Steel	4.7 R	D	10004757	-	-	-
1" CTS	6" IPS	0.8 / Steel	4.7 R	E	10004527	-	-	-
1" CTS	8"-10" IPS	0.8 / Steel	4.7 R	H	10004572	-	-	-
1" IPS	1¼" IPS	0.8 / Steel	4.7 R	A	10003452	50	0.83	-
1" IPS	1¼" IPS	0.8 / Steel	4.7 R	Underpart	10009387	-	-	-
1" IPS	2" IPS	0.8 / Steel	4.7 R	B	10003355	40	0.85	-
1" IPS	2" IPS	0.8 / Steel	4.7 R	Underpart	10009395	-	-	-
1" IPS	3" IPS	0.8 / Steel	4.7 R	C	10004792	40	0.90	-
1" IPS	4" IPS	0.8 / Steel	4.7 R	D	10003701	30	0.99	-
1" IPS	6" IPS	0.8 / Steel	4.7 R	E	10004823	20	1.31	-
1" IPS	6" IPS	0.8 / Steel	4.7 R	Underpart	10009406	-	-	-
1" IPS	8"-10" IPS	0.8 / Steel	4.7 R	H	10004858	40	0.84	-

(PE3408/PE4710) ELECTROFUSION TAPPING TEE w/Butt Outlet & Brass Cutters

Outlet Size	Main Size	Cutter Size Material	Pin Type	Clamp Type	Part No.	Pack. Qty.	Wt.	AWWA
½" CTS	1¼" IPS	0.8 / Brass	4.7 R	A	call	-	-	-
½" CTS	2" IPS	0.8 / Brass	4.7 R	B	call	-	-	-
½" CTS	2" IPS	0.8 / Brass	4.7 R	B	call	-	-	-
½" CTS	3" IPS	0.8 / Brass	4.7 R	C	call	-	-	-
½" CTS	4" IPS/DIPS	0.8 / Brass	4.7 R	D/L	10004824	30	1.00	YES
½" CTS	6" IPS/DIPS	0.8 / Brass	4.7 R	E/M	10004760	20	1.19	YES
½" CTS	8"-10" IPS/DIPS	0.5 / Brass	4.7 R	H	10004844	40	0.85	YES
½" IPS	1¼" IPS	0.8 / Brass	4.7 R	A	call	-	-	-
½" IPS	2" IPS	0.8 / Brass	4.7 R	B	call	-	-	-
½" IPS	3" IPS	0.8 / Brass	4.7 R	C	call	-	-	-
½" IPS	4" IPS/DIPS	0.8 / Brass	4.7 R	D	call	-	-	-
½" IPS	6" IPS/DIPS	0.8 / Brass	4.7 R	E/M	call	-	-	-
½" IPS	8"-10" IPS/DIPS	0.8 / Brass	4.7 R	H	10004846	40	0.85	YES
¾" CTS	1¼" IPS	0.8 / Brass	4.7 R	A	call	-	-	-
¾" CTS	2" IPS	0.8 / Brass	4.7 R	B	10004825	40	0.85	YES
¾" CTS	2" IPS	0.8 / Brass	4.7 R	Underpart	10009391	-	-	YES
¾" CTS	3" IPS	0.8 / Brass	4.7 R	C	10004780	40	0.90	YES
¾" CTS	4" IPS/DIPS	0.8 / Brass	4.7 R	D/L	10004806	30	6.37	YES
¾" CTS	6" IPS/DIPS	0.8 / Brass	4.7 R	E/M	10004826	20	1.25	YES
¾" CTS	8"-10" IPS/DIPS	0.8 / Brass	4.7 R	H	10004847	40	0.80	YES

Electrofusion Fittings: Tapping Tees (EFTT) w/Butt Outlet



(PE3408/PE4710) ELECTROFUSION TAPPING TEE w/Butt Outlet & Brass Cutters

Outlet Size	Main Size	Cutter Size Material	Pin Type	Clamp Type	Part No.	Pack. Qty.	Wt.	AWWA
¾" IPS	1¼" IPS	0.8 / Brass	4.7 R	A	call	-	-	-
¾" IPS	2" IPS	0.8 / Brass	4.7 R	B	10006028	40	0.91	YES
¾" IPS	3" IPS	0.8 / Brass	4.7 R	C	10004781	40	0.16	YES
¾" IPS	4" IPS/DIPS	0.8 / Brass	4.7 R	D/L	10004794	30	1.00	YES
¾" IPS	6" IPS/DIPS	0.8 / Brass	4.7 R	E/M	10006029	20	1.19	YES
¾" IPS	8"-10" IPS/DIPS	0.8 / Brass	4.7 R	H	10004592	40	0.85	YES
1" CTS	1¼" IPS	0.8 / Brass	4.7 R	A	10004765	-	-	-
1" CTS	2" CTS	0.8 / Brass	4.7 R	AB	call	-	-	-
1" CTS	2" IPS	0.8 / Brass	4.7 R	B	10003085	30	0.83	YES
1" CTS	3" IPS	0.8 / Brass	4.7 R	C	10004845	40	0.88	YES
1" CTS	4" IPS/DIPS	0.8 / Brass	4.7 R	D/L	10007380	30	1.00	YES
1" CTS	6" IPS/DIPS	0.8 / Brass	4.7 R	E/M	5757760	20	1.19	YES
1" CTS	8"-10" IPS/DIPS	0.8 / Brass	4.7 R	H	10008645	40	0.85	YES
1" IPS	1¼" IPS	0.8 / Brass	4.7 R	A	call	-	-	-
1" IPS	2" IPS	0.8 / Brass	4.7 R	B	10004790	40	0.85	YES
1" IPS	2" IPS	0.8 / Brass	4.7 R	Underpart	10009410			YES
1" IPS	3" IPS	0.8 / Brass	4.7 R	C	10004810	40	0.91	YES
1" IPS	4" IPS/DIPS	0.8 / Brass	4.7 R	D/L	10004828	30	1.00	YES
1" IPS	4" IPS/DIPS	0.8 / Brass	4.7 R	Underpart	10009411			YES
1" IPS	6" IPS/DIPS	0.8 / Brass	4.7 R	E/M	10004587	20	1.20	YES
1" IPS	8"-10" IPS/DIPS	0.8 / Brass	4.7 R	H	10003798	40	0.85	YES

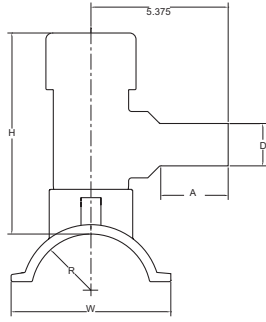
Call for availability of other sizes and dimensions.

4.7R = 4.7 Pin with Resistor

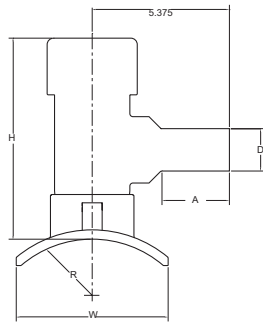
4.7S = 4.7 Solid Pin

Electrofusion Fittings: High Volume Tapping Tees (EF HVTT)

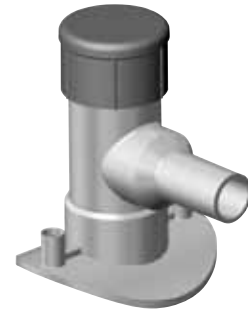
1 1/4" Outlet



2" IPS-6" DIPS



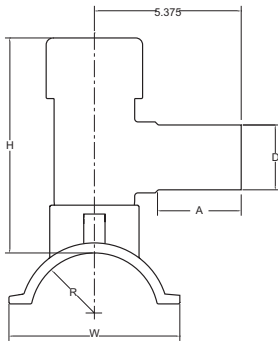
8" IPS-12" DIPS



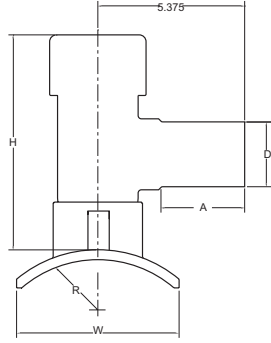
EF HVTT DIMENSIONS w/1 1/4" BUTT OUTLET

Size	A	W	H	D
2" IPS	2.680	3.590	6.650	1.660
3" IPS	2.680	4.600	6.660	1.660
4" IPS/DIPS	2.680	6.260	7.270	1.660
6" IPS/DIPS	2.680	8.68	8.43	1.660
8" IPS/DIPS	2.680	6.10	7.88	1.660
10" IPS/DIPS	2.680	6.10	7.88	1.660
12" IPS/DIPS	2.680	6.10	7.880	1.660

2" Outlet



2" IPS-6" DIPS



8" IPS-12" DIPS

EF HVTT DIMENSIONS w/2" OUTLET

Size	A	W	H	D
2" IPS	3.000	3.590	6.65	2.600
3" IPS	3.000	4.600	6.66	2.600
4" IPS/DIPS	3.000	6.260	7.27	2.600
6" IPS/DIPS	3.000	8.680	8.43	2.600
8" IPS/DIPS	3.000	5.92	7.88	2.600
10" IPS/DIPS	3.000	6.10	7.88	2.600
12" IPS/DIPS	3.000	6.100	7.88	2.600

(PE2406/PE2708) ELECTROFUSION HIGH VOLUME TAPPING TEE

Outlet Size	Main Size	Cutter Size Material	Pin Type	Clamp Type	Part Number	Pack. Qty.	Wt.	CSA	
1 1/4" IPS	2" IPS	1.5 / Steel	4.7 R	B	5757109	10	3.32	YES	
1 1/4" IPS	3" IPS	1.5 / Steel	4.7 R	C	5757110	10	3.30	YES	
1 1/4" IPS	4" IPS	1.5 / Steel	4.7 R	D	5757111	8	3.48	YES	
1 1/4" IPS	6" IPS	1.5 / Steel	4.7 R	E	5757112	5	3.65	YES	
1 1/4" IPS	8" IPS	1.5 / Steel	4.7 R	H	5757113	10	3.45	YES	
1 1/4" IPS	12" IPS	1.8 / Steel	4.7 S	H	10009831	8	3.35	-	Low Torque Cutter
2" IPS	2" IPS	1.5 / Steel	4.7 R	B	5757114	10	3.25	YES	
2" IPS	3" IPS	1.8 / Steel	4.7 R	C	10009496	10	3.44	YES	Low Torque Cutter
2" IPS	3" IPS	1.8 / Steel	4.7 R	Underpart	10009719			-	Low Torque Cutter
2" IPS	4" IPS	1.8 / Steel	4.7 R	D	10009498	8	3.62	YES	
2" IPS	4" IPS	1.8 / Steel	4.7 R	Underpart	10009725			-	Low Torque Cutter
2" IPS	6" IPS	1.8 / Steel	4.7 R	E	10009500	5	3.83	YES	
2" IPS	6" IPS	1.8 / Steel	4.7 R	Underpart	10009731			-	Low Torque Cutter
2" IPS	8" IPS	1.8 / Steel	4.7 R	H	10009502	10	3.52	YES	
2" IPS	10" IPS	1.8 / Steel	4.7 S	H	10009518	8	6.16	-	
2" IPS	12" IPS	1.8 / Steel	4.7 S	H	10009520	8	6.16	-	

4.7R = 4.7 Pin with Resistor

4.7S = 4.7 Solid Pin

Call for availability of other sizes and dimensions.

Electrofusion Fittings: High Volume Tapping Tees (EF HVTT)

(PE3408/PE4710) ELECTROFUSION HIGH VOLUME TAPPING TEE w/Steel Cutters

Outlet Size	Main Size	Cutter Size Material	Pin Type	Clamp Type	Part Number	Pack. Qty.	Wt.	AWWA	
1¼" IPS	2" IPS	1.5 / Steel	4.7 R	B	10004588	10	3.32	-	
1¼" IPS	3" IPS	1.5 / Steel	4.7 R	C	10009662	10	3.34	-	
1¼" IPS	3" IPS	1.8 / Steel	4.7 R	Underpart	10009717			-	Low Torque Cutter
1¼" IPS	4" IPS	1.5 / Steel	4.7 R	D	10009666	8	3.47	-	
1¼" IPS	4" IPS	1.8 / Steel	4.7 R	Underpart	10009723			-	Low Torque Cutter
1¼" IPS	6" IPS	1.5 / Steel	4.7 R	E	10009670	5	3.65	-	
1¼" IPS	6" IPS	1.8 / Steel	4.7 R	Underpart	10009729			-	Low Torque Cutter
1¼" IPS	8" IPS	1.5 / Steel	4.7 R	H	10009674	10	3.45	-	
1¼" IPS	12" IPS	1.8 / Steel	4.7 S	H	10009829			-	Low Torque Cutter
1½" IPS	2" IPS	1.5 / Steel	4.7 R	B	10004590	10	3.32	-	
1½" IPS	3" IPS	1.5 / Steel	4.7 R	C	10004597	10	3.34	-	
1½" IPS	4" IPS	1.5 / Steel	4.7 R	D	10004602	8	3.47	-	
1½" IPS	6" IPS	1.5 / Steel	4.7 R	E	10004609	5	3.65	-	
1½" IPS	8" IPS	1.5 / Steel	4.7 R	H	call	8	3.45	-	
2" IPS	2" IPS	1.5 / Steel	4.7 R	B	10003537	10	3.25	-	
2" IPS	3" IPS	1.8 / Steel	4.7 R	C	10009664	10	3.45	-	Low Torque Cutter
2" IPS	3" IPS	1.8 / Steel	4.7 R	Underpart	10009718			-	Low Torque Cutter
2" IPS	4" IPS	1.8 / Steel	4.7 R	D	10009668	8	3.57	-	Low Torque Cutter
2" IPS	4" IPS	1.8 / Steel	4.7 R	Underpart	10009724			-	Low Torque Cutter
2" IPS	6" IPS	1.8 / Steel	4.7 R	E	10009672	5	3.81	-	Low Torque Cutter
2" IPS	6" IPS	1.8 / Steel	4.7 R	Underpart	10009730			-	Low Torque Cutter
2" IPS	8" IPS	1.8 / Steel	4.7 R	H	10009676	8	6.16	-	Low Torque Cutter
2" IPS	10" IPS	1.8 / Steel	4.7 R	H	10009517			-	Low Torque Cutter
2" IPS	12" IPS	1.8 / Steel	4.7 R	H	10009834			-	Low Torque Cutter

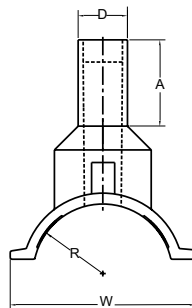
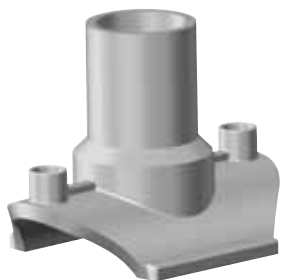
Electrofusion Fittings: High Volume Tapping Tees (EF HVTT)

(PE3408/PE4710) ELECTROFUSION HIGH VOLUME TAP TEE w/Stainless Steel Cutters

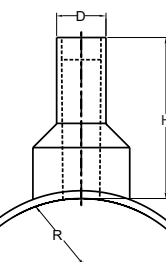
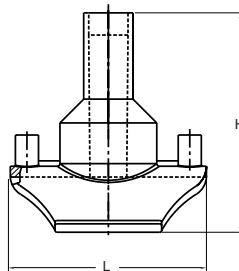
Outlet Size	Main Size	Cutter Size Material	Pin Type	Clamp Type	Part Number	Pack. Qty.	Wt.	AWWA
1¼" IPS	2" IPS	1.5 / Stainless	4.7 R	B	10004594	10	3.30	YES
1¼" IPS	3" IPS	1.5 / Stainless	4.7 R	C	10004604	10	3.30	YES
1¼" IPS	4" IPS/DIPS	1.5 / Stainless	4.7 R	D/L	10004611	8	3.52	YES
1¼" IPS	6" IPS/DIPS	1.5 / Stainless	4.7 R	E/M	10004617	5	3.75	YES
1¼" IPS	8" IPS	1.5 / Stainless	4.7 R	H	10007719	10	3.45	YES
1¼" IPS	8" DIPS	1.5 / Stainless	4.7 S	H	10004614	10	4.10	YES
1¼" IPS	10" IPS	1.5 / Stainless	4.7 S	H	call	-	-	-
1¼" IPS	10" DIPS	1.5 / Stainless	4.7 S	H	call	-	-	-
1¼" IPS	12" IPS	1.5 / Stainless	4.7 S	H	10009314	-	-	-
1¼" IPS	12" DIPS	1.5 / Stainless	4.7 S	H	call	-	-	-
2" CTS	2" IPS	1.5 / Stainless	4.7 R	B	10004591	10	2.99	YES
2" CTS	3" IPS	1.5 / Stainless	4.7 R	C	call	-	-	-
2" CTS	4" IPS/DIPS	1.5 / Stainless	4.7 R	D/L	10004605	10	3.95	YES
2" CTS	6" IPS/DIPS	1.8 / Stainless	4.7 R	E/M	10004612	10	4.00	YES
2" CTS	8" IPS	1.5 / Stainless	4.7 S	H	call	-	-	-
2" CTS	8" DIPS	1.8 / Stainless	4.7 S	H	10004615	10	4.10	YES
2" CTS	10" IPS	1.5 / Stainless	4.7 S	H	call	-	-	-
2" CTS	10" DIPS	1.5 / Stainless	4.7 S	H	call	-	-	-
2" CTS	12" IPS	1.5 / Stainless	4.7 S	H	call	-	-	YES
2" CTS	12" DIPS	1.5 / Stainless	4.7 S	H	call	-	-	-
2" IPS	2" IPS	1.5 / Stainless	4.7 R	B	10004598	10	3.35	YES
2" IPS	3" IPS	1.8 / Stainless	4.7 R	C	10004613	10	3.48	YES
2" IPS	4" IPS/DIPS	1.8 / Stainless	4.7 R	D/L	10006024	-	3.57	YES
2" IPS	6" IPS/DIPS	1.8 / Stainless	4.7 R	E/M	10004622	5	3.80	YES
2" IPS	8" IPS	1.8 / Stainless	4.7 R	H	10007720	8	3.51	YES
2" IPS	8" DIPS	1.8 / Stainless	4.7 S	H	10004616	8	4.10	YES
2" IPS	10" IPS	1.5 / Stainless	4.7 S	H	call	-	-	-
2" IPS	10" DIPS	1.5 / Stainless	4.7 S	H	call	-	-	-
2" IPS	12" IPS	1.8 / Stainless	4.7 S	H	10003561	8	6.16	YES
2" IPS	12" DIPS	1.5 / Stainless	4.7 S	H	call	-	-	-

Electrofusion Fittings: Branch Saddles

**Branch Saddle Drawing 1:
w/1¼" Outlet**

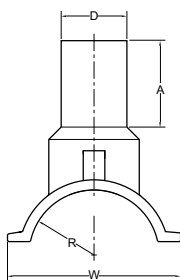


2" IPS-6" DIPS

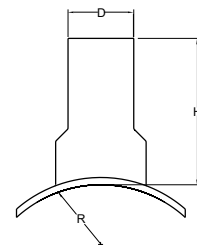
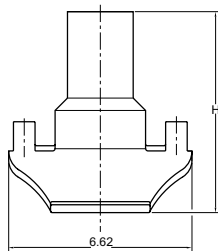


8" IPS-12" DIPS

**Branch Saddle Drawing 2:
w/2" Outlet**



2" IPS-6" DIPS



8" IPS-12" DIPS

BRANCH SADDLE DIMENSIONS: 1¼" OUTLET

Nominal Base Size	A	D	H	W	L
2" IPS	2.88	1.66	6.65	3.59	6.62
3" IPS	2.88	1.66	6.65	4.60	6.62
4" IPS/DIPS	2.88	1.66	7.27	6.26	6.62
6" IPS/DIPS	2.88	1.66	8.43	8.86	6.62
8" IPS/DIPS	2.88	1.66	5.29	6.75	*
10" IPS/DIPS	2.88	1.66	5.53	6.75	*
12" IPS/DIPS	2.88	1.66	5.70	6.750	*

BRANCH SADDLE DIMENSIONS: 2" OUTLET

Nominal Base Size	A	D	H	W	L
2" IPS	3.28	2.37	6.65	3.59	6.62
3" IPS	3.28	2.37	6.65	4.60	6.62
4" IPS/DIPS	3.28	2.37	7.27	6.26	6.62
6" IPS/DIPS	3.28	2.37	8.43	8.68	6.62
8" IPS/DIPS	3.28	2.37	5.29	6.75	*
10" IPS/DIPS	3.28	2.37	5.56	6.75	*
12" IPS/DIPS	3.28	2.37	5.73	6.75	*

(PE2406/PE2708) ELECTROFUSION BRANCH SADDLES (full pressure)

Outlet Size	Main Size	Pin Type	Clamp Type	Part Number	Pack. Qty.	Wt.	CSA
1¼" IPS	2" IPS	4.7 R	B	10001334	-	-	-
1¼" IPS	3" IPS	4.7 R	C	10001850	-	-	-
1¼" IPS	4" IPS	4.7 R	D	10001338	-	-	-

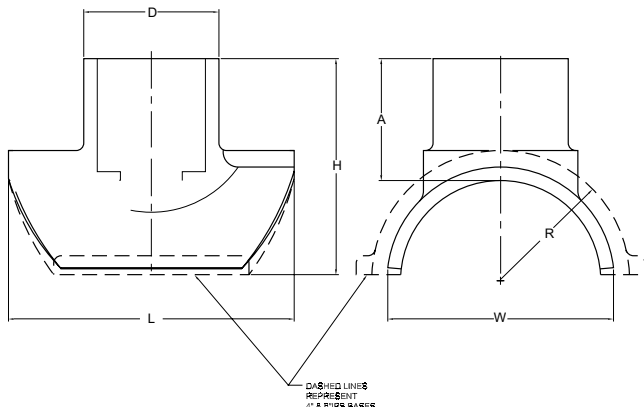
(PE2406/PE2708) ELECTROFUSION BRANCH SADDLES (full pressure)

Outlet Size	Main Size	Pin Type	Clamp Type	Part Number	Pack. Qty.	Wt.	CSA
2" IPS	2" IPS	4.7 R	B	5757761	40	0.93	YES
2" IPS	3" IPS	4.7 R	C	5757762	40	1.01	YES
2" IPS	4" IPS	4.7 R	D	5757763	30	1.11	YES
2" IPS	6" IPS	4.7 R	E	5757764	30	1.30	YES
2" IPS	8" IPS	4.7 R	H	10000823	30	1.01	YES
2" IPS	10" IPS	4.7 S	H	call	-	-	-
2" IPS	12" IPS	4.7 S	H	call	-	-	-

4.7R = 4.7 Pin with Resistor
4.7S = 4.7 Solid Pin

Call for availability of other sizes and dimensions.

Electrofusion Fittings: Branch Saddles



Branch Saddle w/4" Outlet



BRANCH SADDLE DIMENSIONS: 4" OUTLET

Nominal Base Size	A	D	H	W	L
4" IPS	3.85	4.50	6.00	7.00	8.38
6" IPS	4.14	4.50	7.20	9.63	9.13
Multi-Base	4.14	4.50	7.00	7.56	9.13

(PE2406/PE2708) ELECTROFUSION BRANCH SADDLES (full pressure)

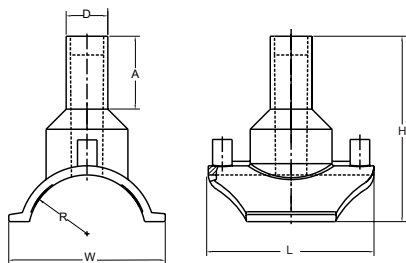
Outlet Size	Main Size	Pin Type	Clamp Type	Part Number	Pack. Qty.	Wt.	CSA
4" IPS	4" IPS	4.7 R	D	5757124	8	2.10	YES
4" IPS	6" IPS	4.7 R	E	5757125	8	3.72	YES

Call for availability of other sizes and dimensions.

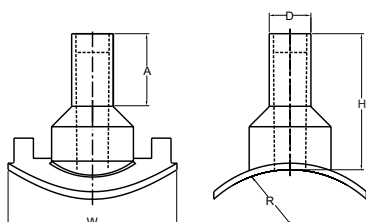
4.7R = 4.7 Pin with Resistor

4.7S = 4.7 Solid Pin

Electrofusion Fittings: Branch Saddles

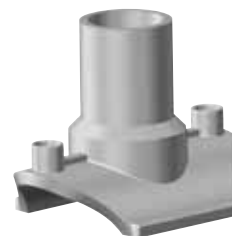


2" IPS to 6" DIPS



8" IPS to 12" DIPS

Branch Saddle w/1/4" Outlet



BRANCH SADDLE DIMENSIONS: 2" OUTLET

Nominal Base Size	A	D	H	W	L
2" IPS	3.28	2.37	6.65	3.59	6.62
3" IPS	3.28	2.37	6.65	4.60	6.62
4" IPS/DIPS	3.28	2.37	7.27	6.26	6.62
6" IPS/DIPS	3.28	2.37	8.43	8.68	6.62
8" IPS/DIPS	3.28	2.37	5.29	6.75	*
10" IPS/DIPS	3.28	2.37	5.56	6.75	*
12" IPS/DIPS	3.28	2.37	5.73	6.75	*

(PE3408/PE4710) ELECTROFUSION BRANCH SADDLES (full pressure)

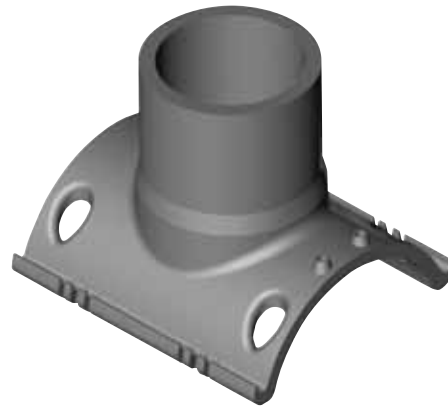
Outlet Size	Main Size	Pin Type	Clamp Type	Part Number	Pack. Qty.	Wt.	AWWA
1/4" IPS	2" IPS	4.7 R	B	10004521	40	0.81	YES
1/4" IPS	3" IPS	4.7 R	C	10004523		0.26	YES
1/4" IPS	4" IPS/DIPS	4.7 R	D/L	10004531		1.09	YES
1/2" IPS	2" IPS	4.7 R	B	call	-	-	-
1/2" IPS	3" IPS	4.7 R	C	call	-	-	-
1/2" IPS	4" IPS/DIPS	4.7 R	D/L	call	-	-	-
2" IPS	2" IPS	4.7 R	B	10003536	30	0.90	YES
2" IPS	3" IPS	4.7 R	C	10004525	30	0.96	YES
2" IPS	4" IPS/DIPS	4.7 R	D/L	10003547	30	0.90	YES
2" IPS	6" IPS/DIPS	4.7 R	E/M	10004543	30	2.00	YES
2" IPS	8" IPS	4.7 R	H	10007711	30	1.16	YES
2" IPS	8" DIPS	4.7 S	H	10004508	30	1.16	YES
2" IPS	10" IPS	4.7 S	H	10004660	30	1.22	YES
2" IPS	10" DIPS	4.7 S	H	10004516	30	1.33	YES
2" IPS	12" IPS	4.7 S	H	10003560	30	1.33	YES
2" IPS	12" DIPS	4.7 S	H	10004512	30	1.22	YES

Call for availability of other sizes and dimensions.

4.7R = 4.7 Pin with Resistor

4.7S = 4.7 Solid Pin

Electrofusion Fittings: Branch Saddles



(PE3408/PE4710) ELECTROFUSION BRANCH SADDLES (full pressure)

Outlet Size	Main Size	Pin Type	Clamp Type	Part Number	Pack. Qty.	Wt.	AWWA
4" IPS	4" IPS	4.7 R	F	10004529	8	0.12	YES
4" IPS	6" IPS	4.7 R	G	10004539	8	3.85	YES
4" IPS	8" IPS	4.7 S	underpart kit	10006453	-	-	YES
4" IPS	10" IPS	4.7 S	underpart kit	10006457	-	-	YES
4" IPS	12" IPS	4.7 S	underpart kit	10006463	-	-	YES
4" DIPS	8" DIPS	4.7 S	underpart kit	10006469	-	-	YES
4" DIPS	10" DIPS	4.7 S	underpart kit	10006473	-	-	YES
4" DIPS	12" DIPS	4.7 S	underpart kit	10006477	-	-	YES
6" IPS	8" IPS	4.7 S	underpart kit	10006455	-	-	YES
6" IPS	10" IPS	4.7 S	underpart kit	10006459	-	-	YES
6" IPS	12" IPS	4.7 S	underpart kit	10006465	-	-	YES
6" DIPS	8" DIPS	4.7 S	underpart kit	10006471	-	-	YES
6" DIPS	10" DIPS	4.7 S	underpart kit	10006475	-	-	YES
6" DIPS	12" DIPS	4.7 S	underpart kit	10006479	-	-	YES
8" IPS	10" IPS	4.7 S	underpart kit	10006461	1	-	YES
8" IPS	12" IPS	4.7 S	underpart kit	10006467	1	-	YES

Call for availability of other sizes and dimensions.

4.7R = 4.7 Pin with Resistor

4.7S = 4.7 Solid Pin

Electrofusion Fittings: Full Pressure Branch Saddles

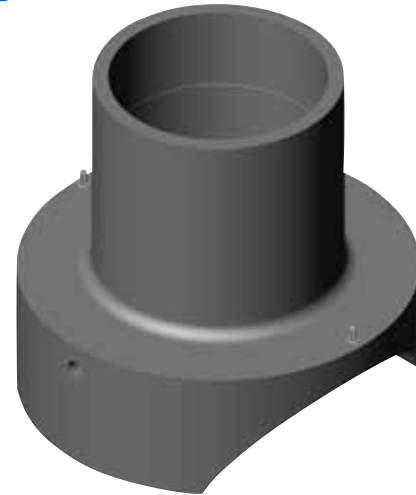
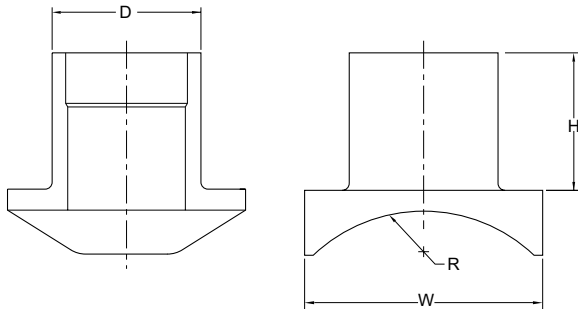


(PE3408/PE4710) ELECTROFUSION BRANCH SADDLES (FULL PRESSURE)

Outlet Size	Main Size	Pin Type	Clamp Type	Part Number	Pack Qty	Wt.	AWWA
6" IPS	14" IPS	4.7 S	P	10009910	1	5.6	-
6" IPS	16" IPS	4.7 S	P	10009911	1	5.07	-
6" IPS	18" IPS	4.7 S	P	10009912	1	5.99	-
6" IPS	20" IPS	4.7 S	P	10009913	1	4.99	-
6" IPS	22" IPS	4.7 S	P	10009924	1	5.62	-
6" IPS	24" IPS	4.7 S	P	10009914	1	5.62	-
6" IPS	26" IPS	4.7 S	P	10009926	1	7.98	-
6" IPS	28" IPS	4.7 S	P	10009927	1	7.98	-
6" IPS	30" IPS	4.7 S	P	10009915	1	5.6	-
6" IPS	32" IPS	4.7 S	P	10009916	1	5.58	-
6" IPS	34" IPS	4.7 S	P	10009917	1	5.54	-
6" IPS	36" IPS	4.7 S	P	10009918	1	5.5	-
6" IPS	42" IPS	4.7 S	P	10009919	1	5.36	-
6" IPS	48" IPS	4.7 S	P	10009920	1	5.3	-
6" IPS	16" DIPS	4.7 S	P	10009922	1	6	-
6" DIPS	14" DIPS	4.7 S	P	10009898	1	6	-
6" DIPS	16" DIPS	4.7 S	P	10009928	1	6	-
6" DIPS	18" DIPS	4.7 S	P	10009930	1		-
8" IPS	14" IPS	4.7 S	P	10009899	1	7.83	-
8" IPS	16" IPS	4.7 S	P	10009900	1	8	-
8" IPS	18" IPS	4.7 S	P	10009901	1	7.27	-
8" IPS	20" IPS	4.7 S	P	10009902	1	7.89	-
8" IPS	22" IPS	4.7 S	P	10009925	1	5.62	-
8" IPS	24" IPS	4.7 S	P	10009903	1	7.55	-
8" IPS	26" IPS	4.7 S	P	10009923	1	7.98	-
8" IPS	30" IPS	4.7 S	P	10009904	1	7.89	-
8" IPS	32" IPS	4.7 S	P	10009905	1	8.73	-
8" IPS	34" IPS	4.7 S	P	10009906	1	8.69	-
8" IPS	36" IPS	4.7 S	P	10009907	1	8.15	-
8" IPS	42" IPS	4.7 S	P	10009908	1	8.37	-
8" IPS	48" IPS	4.7 S	P	10009909	1	8.63	-
8" IPS	24" DIPS	4.7 S	P	10009921	1	7.55	-
8" DIPS	12" DIPS	4.7 S	P	10010224	1	8	-
8" DIPS	18" DIPS	4.7 S	P	10009931	1	7.89	-
8" DIPS	24" DIPS	4.7 S	P	10010030	1	7.55	-
8" DIPS	42" DIPS	4.7 S	P	10009929	1	8.73	-

Electrofusion Fittings: Branch Saddles

NOTE: These have a restricted pressure rating limited to 50 psi.



Branch Saddle Drawing 4: w/6" & 8" Butt Outlet

Call for availability of other sizes and dimensions.

4.7R = 4.7 Pin with Resistor

4.7S = 4.7 Solid Pin

BRANCH SADDLE DIMENSIONS: 6" & 8" BUTT OUTLET

Nominal Base Size	A	D	H	W	L
6" IPS DR 17	*	6.62	6.00	10.60	*
8" IPS DR 11	*	8.62	6.00	10.60	*

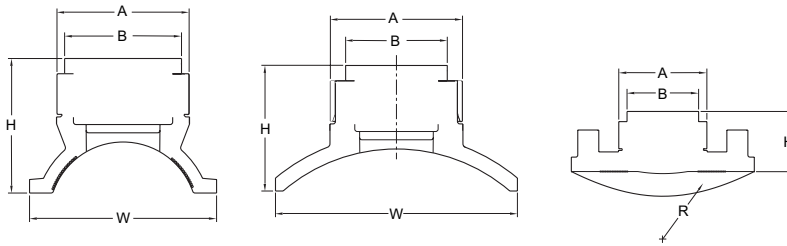
(PE3408/PE4710) ELECTROFUSION BRANCH SADDLES

Outlet Size	Main Size	Pin Type	Clamp Type	Part Number	Pack. Qty.	Wt.	AWWA
4" IPS	Multi-Base 8"-10"	3 Pin Resistor	J	5750808	1	2.90	-
6" IPS	10" IPS	4.7 S	K	10009202	1	5.60	-
6" IPS	12" IPS	4.7 S	K	10009203	1	5.60	-
6" IPS	14" IPS	4.7 S	K	10009105	1	5.60	-
6" IPS	16" IPS	4.7 S	K	10009106	1	5.07	-
6" IPS	18" IPS	4.7 S	K	10009107	1	5.99	-
6" IPS	20" IPS	4.7 S	K	10009108	1	4.99	-
6" IPS	22" IPS	4.7 S	K	10009136	1	5.62	-
6" IPS	24" IPS	4.7 S	K	10009109	1	5.62	-
6" IPS	30" IPS	4.7 S	K	10009110	1	5.60	-
6" IPS	32" IPS	4.7 S	K	5758416	1	5.78	-
6" IPS	36" IPS	4.7 S	K	10009113	1	5.50	-
6" IPS	42" IPS	4.7 S	K	10009114	1	5.36	-
6" IPS	48" IPS	4.7 S	K	10009115	1	5.30	-
8" IPS	10" IPS	4.7 S	K	10009200	1	8.75	-
8" IPS	12" IPS	4.7 S	K	10009201	1	7.94	-
8" IPS	14" IPS	4.7 S	K	10009093	1	7.83	-
8" IPS	16" IPS	4.7 S	K	10009094	1	8.00	-
8" IPS	18" IPS	4.7 S	K	10009095	1	7.27	-
8" IPS	20" IPS	4.7 S	K	10009096	1	7.89	-
8" IPS	22" IPS	4.7 S	K	10009138	1	7.89	-
8" IPS	24" IPS	4.7 S	K	10009097	1	7.55	-
8" IPS	26" IPS	4.7 S	K	10009132	1	7.98	-
8" IPS	30" IPS	4.7 S	K	10009098	1	7.98	-
8" IPS	32" IPS	4.7 S	K	10009099	1	7.89	-
8" IPS	36" IPS	4.7 S	K	10009101	1	8.15	-
8" IPS	42" IPS	4.7 S	K	10009102	1	8.37	-
8" IPS	48" IPS	4.7 S	K	10009103	1	8.63	-

Electrofusion Fittings: Transition Saddles (Corp Saddles)

Outlet Material: Brass 360 Alloy

Compression Ring Material: Stainless 304



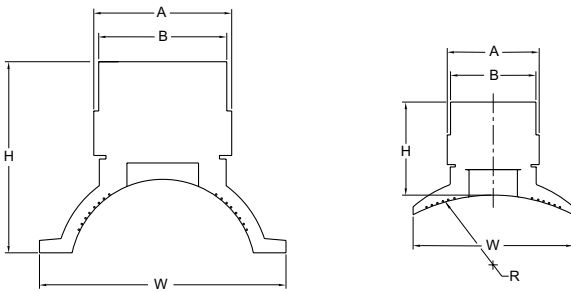
¾"–1½" outlet

OUTLET DIMENSIONS

Outlet Size	B	Quality Standard
¾" FPT	2.50	ANSI B1.20.1
¾" CORP THD	2.50	AWWA C800
1" FPT	2.88	ANSI B1.20.1
1" CORP THD	2.50	AWWA C800
1¼" CORP THD	*	AWWA C800
1½" FPT	2.63	ANSI B1.20.1
1½" CORP THD	2.88	AWWA C800

EF TRANSITION SADDLE DIMENSIONS

Nominal Base Size	R	A	H	W
2" IPS	1.185	3.25	3.18	3.59
3" IPS	1.750	3.25	3.18	4.60
4" IPS/DIPS	*	3.25	3.80	6.26
6" IPS/DIPS	*	3.25	4.96	8.68
8" IPS	4.312	3.25	2.96	5.92
8" DIPS	4.525	3.25	1.94	6.10
10" IPS	5.375	3.25	2.44	6.10
10" DIPS	5.550	3.25	2.21	6.10
12" IPS	6.375	3.25	2.39	6.10
12" DIPS	6.600	3.25	2.38	6.10



2" outlet

EF TRANSITION SADDLE DIMENSIONS 2" OUTLET

Nominal Base Size	R	A	H	W	B
2" IPS	1.185	3.50	4.12	3.59	3.25
3" IPS	1.750	3.50	4.12	4.60	3.25
4" IPS/DIPS	*	3.50	4.74	6.26	3.25
6" IPS/DIPS	*	3.50	5.90	8.68	3.25
8" IPS	4.312	3.50	2.96	5.92	3.25
8" DIPS	4.525	3.50	3.10	6.10	3.25
10" IPS	5.375	3.50	3.34	6.10	3.25
10" DIPS	5.550	3.50	3.38	6.10	3.25
12" IPS	6.375	3.50	3.52	6.10	3.25
12" DIPS	6.600	3.50	3.54	6.10	3.25

Call for availability of other sizes and dimensions.

4.7R = 4.7 Pin with Resistor

4.7S = 4.7 Solid Pin

Electrofusion Fittings: Transition Saddles (Corp Saddles)

Outlet Material: Brass 360 Alloy

Compression Ring Material: Stainless 304

(PE3408/PE4710) ELECTROFUSION TRANSITION SADDLE w/Brass Outlet & CC Threads

Outlet Size	Main Size	Outlet Type	Pin Type	Clamp Type	Part Number	Pack. Qty.	Wt.	AWWA
¾" CC	2" IPS	Brass	4.7 R	B	10004679	10	2.15	YES
¾" CC	3" IPS	Brass	4.7 R	C	10004693	10	2.32	YES
¾" CC	4" IPS/DIPS	Brass	4.7 R	D/L	10004709	5	2.32	YES
¾" CC	6" IPS/DIPS	Brass	4.7 R	E/M	10004734	5	2.57	YES
¾" CC	8" IPS	Brass	4.7 R	H	10007753	10	2.32	YES
¾" CC	8" DIPS	Brass	4.7 S	H	10004725	10	2.41	YES
¾" CC	10" IPS	Brass	4.7 S	H	10004648	10	2.52	YES
¾" CC	10" DIPS	Brass	4.7 S	H	10004639	10	2.75	YES
¾" CC	12" IPS	Brass	4.7 S	H	10006027	10	2.55	YES
¾" CC	12" DIPS	Brass	4.7 S	H	10004655	10	2.55	YES
1" CC	2" IPS	Brass	4.7 R	B	10004682	10	1.98	YES
1" CC	3" IPS	Brass	4.7 R	C	10004696	10	2.32	YES
1" CC	4" IPS/DIPS	Brass	4.7 R	D/L	10004713	5	2.23	YES
1" CC	6" IPS/DIPS	Brass	4.7 R	E/M	10004737	5	2.39	YES
1" CC	8" IPS	Brass	4.7 R	H	10007757	10	2.15	YES
1" CC	8" DIPS	Brass	4.7 S	H	10004644	10	2.25	YES
1" CC	10" IPS	Brass	4.7 S	H	10004647	10	2.35	YES
1" CC	10" DIPS	Brass	4.7 S	H	10004730	10	2.38	YES
1" CC	12" IPS	Brass	4.7 S	H	10004661	10	2.30	YES
1" CC	12" DIPS	Brass	4.7 S	H	10004658	10	2.29	YES
1¼" CC	2" IPS	Brass	4.7 R	B	10004672	10	1.75	YES
1¼" CC	3" IPS	Brass	4.7 R	C	10004685	10	1.85	YES
1¼" CC	4" IPS/DIPS	Brass	4.7 R	D/L	10004675	5	2.23	YES
1¼" CC	6" IPS/DIPS	Brass	4.7 R	E/M	10004716	5	2.15	YES
1¼" CC	8" IPS	Brass	4.7 R	H	call	-	-	-
1¼" CC	8" DIPS	Brass	4.7 S	H	call	-	-	-
1¼" CC	10" IPS	Brass	4.7 S	H	call	-	-	-
1¼" CC	10" DIPS	Brass	4.7 S	H	call	-	-	-
1¼" CC	12" IPS	Brass	4.7 S	H	call	-	-	-
1¼" CC	12" DIPS	Brass	4.7 S	H	call	-	-	-
1½" CC	2" IPS	Brass	4.7 R	B	10004688	10	1.75	YES
1½" CC	3" IPS	Brass	4.7 R	C	10004702	10	1.85	YES
1½" CC	4" IPS/DIPS	Brass	4.7 R	D/L	10004719	5	2.23	YES
1½" CC	6" IPS/DIPS	Brass	4.7 R	E/M	10004742	5	2.15	YES
1½" CC	8" IPS	Brass	4.7 R	H	10007758	10	1.89	YES
1½" CC	8" DIPS	Brass	4.7 S	H	10004726	10	2.02	YES
1½" CC	10" IPS	Brass	4.7 S	H	10004646	10	2.13	YES
1½" CC	10" DIPS	Brass	4.7 S	H	10004643	10	2.14	YES
1½" CC	12" IPS	Brass	4.7 S	H	call	-	-	-
1½" CC	12" DIPS	Brass	4.7 S	H	10004659	10	2.17	YES

Call for availability of other sizes and dimensions.

4.7R = 4.7 Pin with Resistor

4.7S = 4.7 Solid Pin

Electrofusion Fittings: Transition Saddles (Corp Saddles)

Outlet Material: Brass 360 Alloy

Compression Ring Material: Stainless 304



(PE3408/PE4710) ELECTROFUSION TRANSITION SADDLE w/Brass Outlet & CC Threads

Outlet Size	Main Size	Outlet Type	Pin Type	Clamp Type	Part Number	Pack. Qty.	Wt.	AWWA
2" CC	2" IPS	Brass	4.7 R	B	call	-	-	-
2" CC	3" IPS	Brass	4.7 R	C	call	-	-	-
2" CC	4" IPS/DIPS	Brass	4.7 R	D/L	10004705	5	3.65	YES
2" CC	6" IPS/DIPS	Brass	4.7 R	E/M	10004746	5	3.80	YES
2" CC	8" IPS	Brass	4.7 R	H	10007751	5	3.60	YES
2" CC	8" DIPS	Brass	4.7 S	H	10004729	5	3.85	YES
2" CC	10" IPS	Brass	4.7 S	H	10004651	5	3.83	YES
2" CC	10" DIPS	Brass	4.7 S	H	10004645	5	4.15	YES
2" CC	12" IPS	Brass	4.7 S	H	10004664	5	4.00	YES
2" CC	12" DIPS	Brass	4.7 S	H	10004728	5	3.89	YES

(PE3408/PE4710) ELECTROFUSION TRANSITION SADDLE w/Brass Outlet & FPT Threads

Outlet Size	Main Size	Outlet Type	Pin Type	Clamp Type	Part Number	Pack. Qty.	Wt.	AWWA
¾" FPT	2" IPS	Brass	4.7 R	B	10004681	10	2.15	YES
¾" FPT	3" IPS	Brass	4.7 R	C	10004695	10	2.32	YES
¾" FPT	4" IPS/DIPS	Brass	4.7 R	D/L	10004711	5	2.41	YES
¾" FPT	6" IPS/DIPS	Brass	4.7 R	E/M	10004736	5	2.57	YES
¾" FPT	8" IPS	Brass	4.7 R	H	10007754	10	2.32	YES
¾" FPT	8" DIPS	Brass	4.7 S	H	call	-	-	-
¾" FPT	10" IPS	Brass	4.7 S	H	10004732	10	2.35	YES
¾" FPT	10" DIPS	Brass	4.7 S	H	call	-	-	-
¾" FPT	12" IPS	Brass	4.7 S	H	call	-	-	-
¾" FPT	12" DIPS	Brass	4.7 S	H	call	-	-	-
1" FPT	2" IPS	Brass	4.7 R	B	10004684	10	2.02	YES
1" FPT	3" IPS	Brass	4.7 R	C	10004698	10	2.32	YES
1" FPT	4" IPS/DIPS	Brass	4.7 R	D/L	10004715	5	2.28	YES
1" FPT	6" IPS/DIPS	Brass	4.7 R	E/M	10004739	5	2.46	YES
1" FPT	8" IPS	Brass	4.7 R	H	10007755	10	2.21	YES
1" FPT	8" DIPS	Brass	4.7 S	H	10004731	10	2.33	YES
1" FPT	10" IPS	Brass	4.7 S	H	10004649	10	2.35	YES
1" FPT	10" DIPS	Brass	4.7 S	H	10004641	10	2.38	YES
1" FPT	12" IPS	Brass	4.7 S	H	10004662	10	2.58	YES

Call for availability of other sizes and dimensions.

4.7R = 4.7 Pin with Resistor

4.7S = 4.7 Solid Pin

Electrofusion Fittings: Transition Saddles (Corp Saddles)

Outlet Material: Brass 360 Alloy

Compression Ring Material: Stainless 304



(PE3408/PE4710) ELECTROFUSION TRANSITION SADDLE w/Brass Outlet & FPT Threads

Outlet Size	Main Size	Outlet Type	Pin Type	Clamp Type	Part Number	Pack. Qty.	Wt.	AWWA
1" FPT	12" DIPS	Brass	4.7 S	H	10004642	10	2.41	YES
1¼" FPT	2" IPS	Brass	4.7 R	B	10004687	10	1.75	YES
1¼" FPT	3" IPS	Brass	4.7 R	C	10004701	10	1.85	YES
1¼" FPT	4" IPS/DIPS	Brass	4.7 R	D/L	10004718	5	2.23	YES
1¼" FPT	6" IPS/DIPS	Brass	4.7 R	E/M	10004741	5	2.21	YES
1¼" FPT	8" IPS	Brass	4.7 R	H	10007756	5	2.26	YES
1¼" FPT	8" DIPS	Brass	4.7 S	H	call	-	-	YES
1¼" FPT	10" IPS	Brass	4.7 S	H	10004650	10	2.35	YES
1¼" FPT	10" DIPS	Brass	4.7 S	H	call	-	-	-
1¼" FPT	12" IPS	Brass	4.7 S	H	call	-	-	-
1¼" FPT	12" DIPS	Brass	4.7 S	H	call	-	-	-
1½" FPT	2" IPS	Brass	4.7 R	B	10004690	10	1.75	YES
1½" FPT	3" IPS	Brass	4.7 R	C	10004704	10	2.06	YES
1½" FPT	4" IPS/DIPS	Brass	4.7 R	D/L	10004721	5	2.16	YES
1½" FPT	6" IPS/DIPS	Brass	4.7 R	E/M	10004744	5	2.53	YES
1½" FPT	8" IPS	Brass	4.7 R	H	10007752	15	2.17	YES
1½" FPT	8" DIPS	Brass	4.7 S	H	10004733	10	2.23	YES
1½" FPT	10" IPS	Brass	4.7 S	H	call	-	-	-
1½" FPT	10" DIPS	Brass	4.7 S	H	10004652	10	2.59	YES
1½" FPT	12" IPS	Brass	4.7 S	H	call	-	-	-
1½" FPT	12" DIPS	Brass	4.7 S	H	call	-	-	-
2" FPT	2" IPS	Brass	4.7 R	B	10004678	10	3.45	YES
2" FPT	3" IPS	Brass	4.7 R	C	10004692	5	3.65	YES
2" FPT	4" IPS/DIPS	Brass	4.7 R	D/L	10004707	5	3.70	YES
2" FPT	6" IPS/DIPS	Brass	4.7 R	E/M	10004722	5	4.49	YES
2" FPT	8" IPS	Brass	4.7 R	H	10007763	5	4.05	YES
2" FPT	8" DIPS	Brass	4.7 S	H	10004656	5	4.27	YES
2" FPT	10" IPS	Brass	4.7 S	H	10004653	5	4.43	YES
2" FPT	10" DIPS	Brass	4.7 S	H	call	-	-	-
2" FPT	12" IPS	Brass	4.7 S	H	10004665	5	4.21	YES
2" FPT	12" DIPS	Brass	4.7 S	H	10004727	5	4.21	YES

Call for availability of other sizes and dimensions.

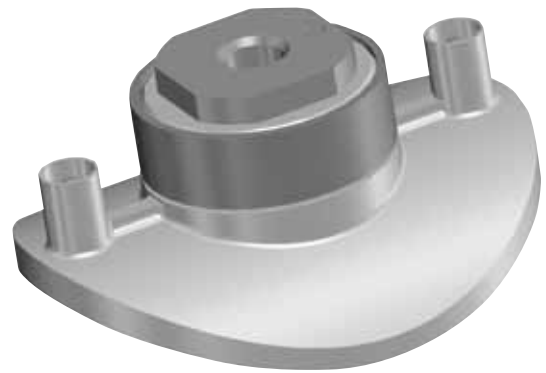
4.7R = 4.7 Pin with Resistor

4.7S = 4.7 Solid Pin

Electrofusion Fittings: Transition Saddles (Corp Saddles)

Outlet Material: Stainless 316

Compression Ring Material: Stainless 304



(PE3408/PE4710) ELECTROFUSION TRANSITION SADDLE w/Stainless Outlet & FPT Threads

Outlet Size	Main Size	Outlet Type	Pin Type	Clamp Type	Part Number	Pack. Qty.	Wt.	AWWA
¾" FPT	2" IPS	Stainless	4.7 R	B	10004667	10	2.10	YES
¾" FPT	3" IPS	Stainless	4.7 R	C	10004680	10	2.30	YES
¾" FPT	4" IPS/DIPS	Stainless	4.7 R	D/L	10004694	5	2.57	YES
¾" FPT	6" IPS/DIPS	Stainless	4.7 R	E/M	10004710	5	2.54	YES
¾" FPT	8" IPS	Stainless	4.7 R	H	10007759	10	2.32	YES
¾" FPT	8" DIPS	Stainless	4.7 S	H	10004640	15	2.37	YES
¾" FPT	10" IPS	Stainless	4.7 S	H	call	-	-	-
¾" FPT	10" DIPS	Stainless	4.7 S	H	10004654	15	2.64	YES
¾" FPT	12" IPS	Stainless	4.7 S	H	call	-	-	-
¾" FPT	12" DIPS	Stainless	4.7 S	H	call	-	-	-
1" FPT	2" IPS	Stainless	4.7 R	B	10004670	10	2.02	YES
1" FPT	3" IPS	Stainless	4.7 R	C	10004683	10	2.04	YES
1" FPT	4" IPS/DIPS	Stainless	4.7 R	D/L	10004697	5	2.07	YES
1" FPT	6" IPS/DIPS	Stainless	4.7 R	E/M	10004714	5	1.82	YES
1" FPT	8" IPS	Stainless	4.7 R	H	10007760	10	1.96	YES
1" FPT	8" DIPS	Stainless	4.7 S	H	call	-	-	-
1" FPT	10" IPS	Stainless	4.7 S	H	call	-	-	-
1" FPT	10" DIPS	Stainless	4.7 S	H	call	-	-	-
1" FPT	12" IPS	Stainless	4.7 S	H	10004663	10	2.31	YES
1" FPT	12" DIPS	Stainless	4.7 S	H	10004657	10	2.32	YES
1¼" FPT	2" IPS	Stainless	4.7 R	B	10004673	10	1.65	YES
1¼" FPT	3" IPS	Stainless	4.7 R	C	10004686	10	1.75	YES
1¼" FPT	4" IPS/DIPS	Stainless	4.7 R	D/L	10004700	5	2.13	YES
1¼" FPT	6" IPS/DIPS	Stainless	4.7 R	E/M	10004717	5	2.10	YES
1¼" FPT	8" IPS	Stainless	4.7 R	H	10007761	10	1.83	YES
1¼" FPT	8" DIPS	Stainless	4.7 S	H	call	-	-	-
1¼" FPT	10" IPS	Stainless	4.7 S	H	call	-	-	-
1¼" FPT	10" DIPS	Stainless	4.7 S	H	call	-	-	-
1¼" FPT	12" IPS	Stainless	4.7 S	H	call	-	-	-
1¼" FPT	12" DIPS	Stainless	4.7 S	H	call	-	-	-

Call for availability of other sizes and dimensions.

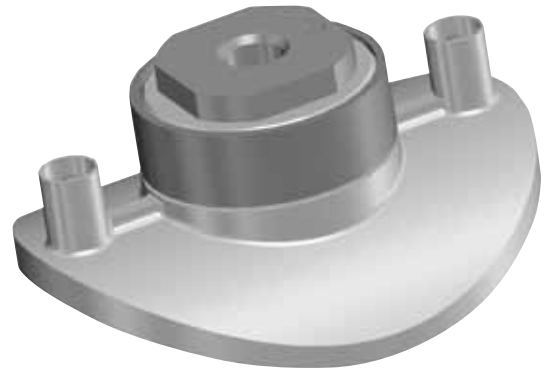
4.7R = 4.7 Pin with Resistor

4.7S = 4.7 Solid Pin

Electrofusion Fittings: Transition Saddles (Corp Saddles)

Outlet Material: Stainless 316

Compression Ring Material: Stainless 304



(PE3408/PE3708/PE4710) ELECTROFUSION TRANSITION SADDLE w/Stainless Outlet & FPT Threads

Outlet Size	Main Size	Outlet Type	Pin Type	Clamp Type	Part Number	Pack. Qty.	Wt.	AWWA
1½" FPT	2" IPS	Stainless	4.7 R	B	10004676	10	1.78	YES
1½" FPT	3" IPS	Stainless	4.7 R	C	10004689	10	1.98	YES
1½" FPT	4" IPS/DIPS	Stainless	4.7 R	D/L	10004703	5	2.16	YES
1½" FPT	6" IPS/DIPS	Stainless	4.7 R	E/M	10004720	5	2.43	YES
1½" FPT	8" IPS	Stainless	4.7 R	H	10004743	10	2.07	YES
1½" FPT	8" DIPS	Stainless	4.7 S	H	call	-	-	-
1½" FPT	10" IPS	Stainless	4.7 S	H	10007561	-	-	-
1½" FPT	10" DIPS	Stainless	4.7 S	H	call	-	-	-
1½" FPT	12" IPS	Stainless	4.7 S	H	call	-	-	-
1½" FPT	12" DIPS	Stainless	4.7 S	H	call	-	-	-
2" FPT	2" IPS	Stainless	4.7 R	B	call	-	-	-
2" FPT	3" IPS	Stainless	4.7 R	C	10004691	-	-	YES
2" FPT	4" IPS/DIPS	Stainless	4.7 R	D/L	call	-	-	-
2" FPT	6" IPS/DIPS	Stainless	4.7 R	E/M	call	-	-	-
2" FPT	8" IPS	Stainless	4.7 R	H	call	-	-	-
2" FPT	8" DIPS	Stainless	4.7 S	H	call	-	-	-
2" FPT	10" IPS	Stainless	4.7 S	H	call	-	-	-
2" FPT	10" DIPS	Stainless	4.7 S	H	call	-	-	-
2" FPT	12" IPS	Stainless	4.7 S	H	call	-	-	-
2" FPT	12" DIPS	Stainless	4.7 S	H	call	-	-	-

Call for availability of other sizes and dimensions.

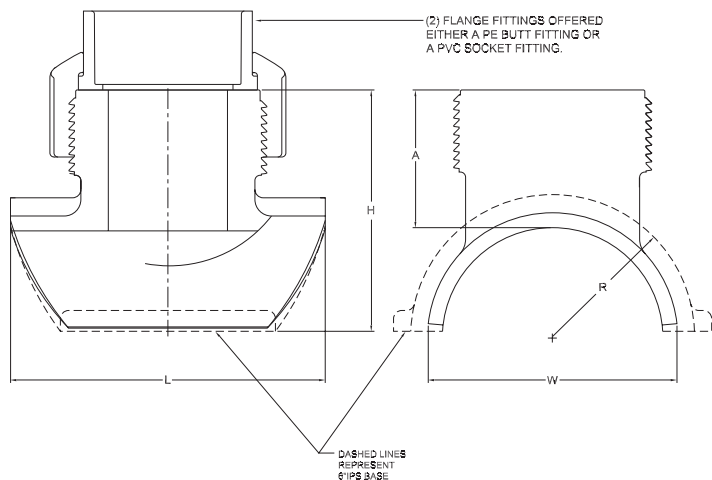
4.7R = 4.7 Pin with Resistor

4.7S = 4.7 Solid Pin

Electrofusion Fittings: Branch Unions

Available Outlet Sizes: 4" HDPE, 4" PVC, Cap

NOTE: Non-Pressure Applications Only



BRANCH UNION DIMENSIONS

Nominal Base Size	A	D	H	W	L
6" IPS DR 17	4.16	*	7.38	9.63	9.13
8" IPS DR 11	4.16	*	7.38	7.56	9.13

(PE3408/PE4710) ELECTROFUSION BRANCH UNION

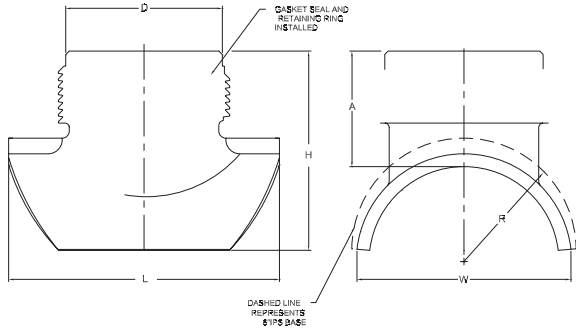
Outlet Size	Main Size	Pin Type	Clamp Type	Part Number	Pack. Qty.	Wt.	AWWA
4" IPS	Multi-Base 8"-10"	3 Pin Resistor	J	call	8	7.19	-
4" Sch 80	6"	3 Pin Resistor	J	call	8	7.14	-
4" IPS	6"	3 Pin Resistor	J	call	8	7.14	-

Call for availability of other sizes and dimensions.

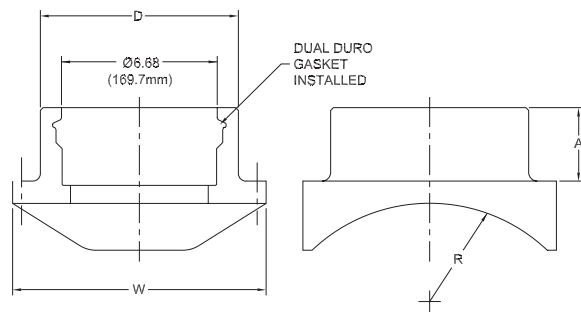
4.7R = 4.7 Pin with Resistor

4.7S = 4.7 Solid Pin

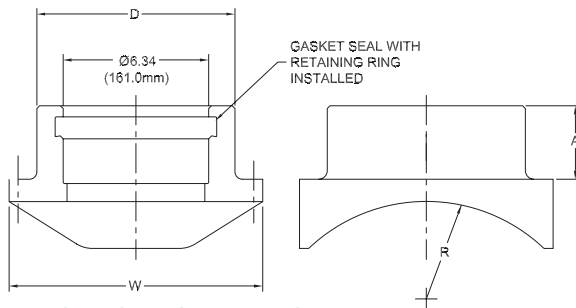
Electrofusion Fittings: Gasketed Sewer Saddles



**6" and Multi-Base
IPS/Sch 40 & PSM/DR35 Gaskets**



**8"-48" IPS and DIPS Base
with IPS/Sch 40 Gasket**



**8"-48" IPS and DIPS Base
with PSM/DR35 Gasket**

SEWER SADDLE DIMENSIONS

Nominal Base Size	A	D	H	W	L
6" IPS & PSM Gasket	4.06	5.50	7.00	7.88	9.51
Multi-Base IPS & PSM Gasket	4.06	5.50	6.00	7.56	9.51
8" IPS-30" IPS Gasket	3.00	8.63	*	10.60	*
8" IPS-54" PSM Gasket	3.00	8.63	*	10.60	*

Call for availability of other sizes and dimensions.

4.7R = 4.7 Pin with Resistor

4.7S = 4.7 Solid Pin

Electrofusion Fittings: Gasketed Sewer Saddles w/IPS Gasketed Outlet

(PE3408/PE4710) ELECTROFUSION GASKETED SEWER SADDLES

Gasketed Outlet Size	Main Size	Pin Type	Clamp Type	Part Number	Pack. Qty.	Wt.	AWWA
4" IPS	6" IPS	3 Pin	J	5751882	1	6.32	-
4" IPS	6" IPS Multi-Base 8"-10"	4.7 S	J	5751881	1	2.82	-
6" IPS	8" IPS	4.7 S	K	5758423	1	8.50	-
6" IPS	10" IPS	4.7 S	K	10009117	1	8.00	-
6" IPS	12" IPS	4.7 S	K	10009118	1	7.50	-
6" IPS	14" IPS	4.7 S	K	call	-	-	-
6" IPS	16" IPS	4.7 S	K	10009120	1	7.25	-
6" IPS	18" IPS	4.7 S	K	10009121	1	7.08	-
6" IPS	20" IPS	4.7 S	K	call	-	-	-
6" IPS	22" IPS	4.7 S	K	call	-	-	-
6" IPS	24" IPS	4.7 S	K	10009122	1	7.25	-
6" IPS	30" IPS	4.7 S	K	10009123	1	7.00	-
6" IPS	36" IPS	4.7 S	K	call	-	-	-
6" IPS	42" IPS	4.7 S	K	call	-	-	-
6" IPS	48" IPS	4.7 S	K	call	-	-	-
6" IPS	8" DIPS	4.7 S	K	call	-	-	-
6" IPS	10" DIPS	4.7 S	K	call	-	-	-
6" IPS	12" DIPS	4.7 S	K	call	-	-	-
6" IPS	14" DIPS	4.7 S	K	10009135	1	7.25	-
6" IPS	16" DIPS	4.7 S	K	call	-	-	-
6" IPS	18" DIPS	4.7 S	K	call	-	-	-
6" IPS	20" DIPS	4.7 S	K	call	-	-	-
6" IPS	22" DIPS	4.7 S	K	call	-	-	-
6" IPS	24" DIPS	4.7 S	K	10009790	1	7.25	-
6" IPS	30" DIPS	4.7 S	K	call	-	-	-
6" IPS	36" DIPS	4.7 S	K	call	-	-	-
6" IPS	42" DIPS	4.7 S	K	call	-	-	-
6" IPS	48" DIPS	4.7 S	K	call	-	-	-

Call for availability of other sizes and dimensions.

4.7R = 4.7 Pin with Resistor

4.7S = 4.7 Solid Pin

Electrofusion Fittings: Gasketed Sewer Saddles w/PSM Gasketed Outlet

(PE3408/PE3708/PE4710) ELECTROFUSION GASKETED SEWER SADDLES

Gasketed Outlet Size	Main Size	Pin Type	Clamp Type	Part No.	Pack. Qty.	Wt.	AWWA
4" PSM	6" IPS	4.7 S	J	5750952	1	4.00	-
4" PSM	Multi-Base 8"-10"	4.7 S	J	5750819	1	3.01	-
6" PSM	8" IPS	4.7 S	K	5758378	1	8.50	-
6" PSM	8" IPS U-Liner	4.7 S	K	5758437	1	8.35	-
6" PSM	9.1" IPS	4.7 S	K	10009104	1	7.59	-
6" PSM	10" IPS	4.7 S	K	10009080	1	7.39	-
6" PSM	12" IPS	4.7 S	K	10009081	1	7.50	-
6" PSM	14" IPS	4.7 S	K	10009091	1	6.53	-
6" PSM	16" IPS	4.7 S	K	10009082	1	6.32	-
6" PSM	18" IPS	4.7 S	K	10009092	1	6.88	-
6" PSM	20" IPS	4.7 S	K	10009083	1	6.11	-
6" PSM	22" IPS	4.7 S	K	10009134	1	6.09	-
6" PSM	24" IPS	4.7 S	K	call	-	-	-
6" PSM	30" IPS	4.7 S	K	10009085	1	7	-
6" PSM	36" IPS	4.7 S	K	call	-	-	-
6" PSM	42" IPS	4.7 S	K	call	-	-	-
6" PSM	48" IPS	4.7 S	K	call	-	-	-
6" PSM	8" DIPS	4.7 S	K	10009104	1	7.59	-
6" PSM	10" DIPS	4.7 S	K	10009137	1	7.59	-
6" PSM	12" DIPS	4.7 S	K	10009199	1	7.59	-
6" PSM	14" DIPS	4.7 S	K	call	-	-	-
6" PSM	16" DIPS	4.7 S	K	call	-	-	-
6" PSM	18" DIPS	4.7 S	K	10009986	1	7.59	-
6" PSM	20" DIPS	4.7 S	K	call	-	-	-
6" PSM	22" DIPS	4.7 S	K	call	-	-	-
6" PSM	24" DIPS	4.7 S	K	call	-	-	-
6" PSM	30" DIPS	4.7 S	K	call	-	-	-
6" PSM	36" DIPS	4.7 S	K	call	-	-	-
6" PSM	42" DIPS	4.7 S	K	call	-	-	-
6" PSM	48" DIPS	4.7 S	K	call	-	-	-

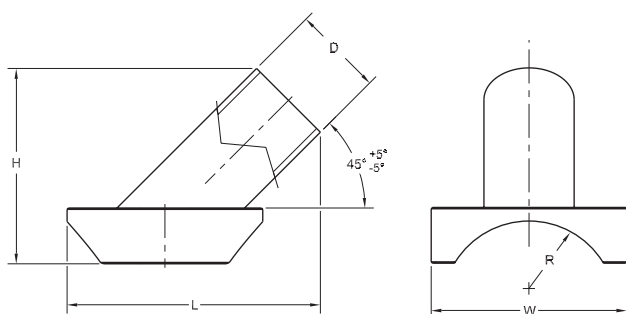
Call for availability of other sizes and dimensions.

4.7R = 4.7 Pin with Resistor

4.7S = 4.7 Solid Pin

Electrofusion Fittings: WYE

NOTE: Non-Pressure Applications Only



ELECTROFUSION WYE DIMENSIONS

Nominal Base Size	A	D	H	W	L
8" IPS W/4" Outlet	*	4.50	15.00	14.37	19.50
8" IPS W/6" Outlet	*	6.63	15.00	14.37	19.50
10" IPS - 4" Outlet	*	4.50	15.00	14.37	19.50
10" IPS - 6" Outlet	*	6.63	15.00	14.37	19.50
12" IPS - 4" Outlet	*	4.50	15.00	14.37	19.50
12" IPS - 6" Outlet	*	6.63	15.00	14.37	19.50

(PE3408/PE4710) ELECTROFUSION WYE

Outlet Size	Main Size	Pin Type	Clamp Type	Part Number	Pack. Qty.	Wt.	AWWA
4" IPS	8" IPS	4.7 S	0	call	-	-	-
4" IPS	10" IPS	4.7 S	0	call	-	-	-
4" IPS	12" IPS	4.7 S	0	call	-	-	-
6" IPS	8" IPS	4.7 S	0	10002998	1	17.02	-
6" IPS	10" IPS	4.7 S	0	10003000	1	15.06	-
6" IPS	12" IPS	4.7 S	0	call	1	15.70	-

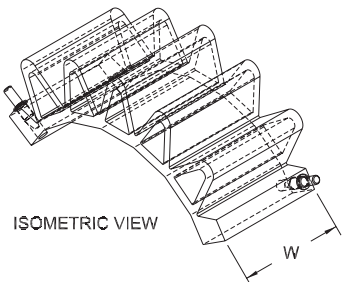
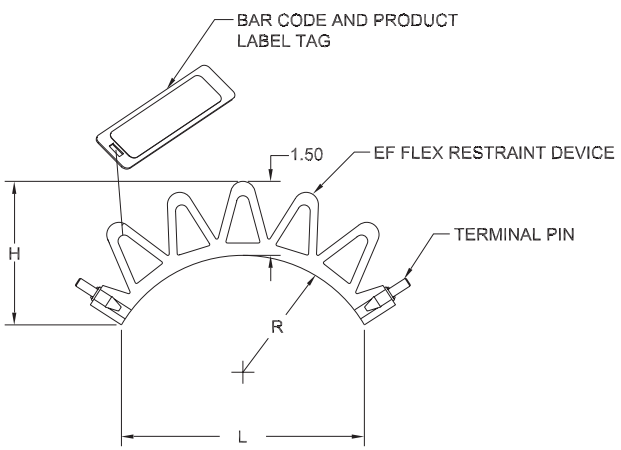
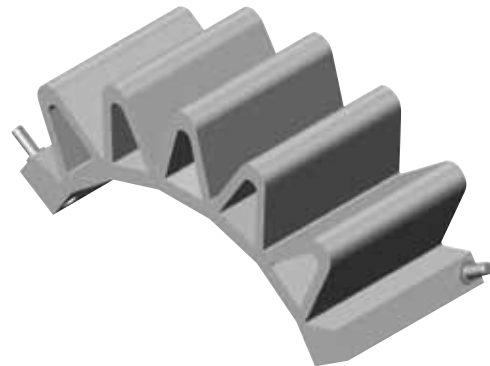
Call for availability of other sizes and dimensions.

4.7R = 4.7 Pin with Resistor

4.7S = 4.7 Solid Pin

Electrofusion Fittings: Flex Restraint

Size Range: Works on solid wall pipe 6" IPS & larger



ELECTROFUSION FLEX RESTRAINT DIMENSIONS

Nominal Base Size	H	W	L
6"-63"	2.91	2.56	4.92

(PE3408/PE4710) ELECTROFUSION FLEX RESTRAINTS

Main Size	Axial Resistance	Description	Pin Type	Clamp Type	Part Number	Pack. Qty.	Wt.
6"-63"	9,000 lbs.	Flexible Restraint	4.7 S	N	10004637	40	0.42

Call for availability of other sizes and dimensions.

4.7R = 4.7 Pin with Resistor

4.7S = 4.7 Solid Pin

Electrofusion Processors

Easy Fuse



BOSS III Processor



ELECTROFUSION PROCESSORS

Description	Part Number	Wt.
Easy Fuse 220 Volt Manual & CP Dedicated	10003156	57.60
Easy Fuse 115 Volt Manual & CP Dedicated	5901029	57.60
BOSS III w/25 ft. Cable	10008060	53.10
BOSS III Battery Charger 3 Bay	10008753	

Electrofusion Processors: Easy Fuse Processor

The Easy Fuse electrofusion processor is designed to provide precision control of the power parameters specified for an electrofusion fitting. The processor will monitor ambient conditions, and fitting output, ensuring proper energy delivery is achieved. The Easy Fuse processor is a reliable, easy-to-use tool, designed to withstand conditions found at construction sites. The processor is splash proof, and highly shock resistant.

The Easy Fuse processor is designed to fuse a variety of electrofusion fittings, from small service sizes, to large diameter couplers. It can be powered by voltage from utility service, portable generators, or inverters (square, quasi, and true-sine waveforms).

The Easy Fuse processor is capable of operating in ID resistor, manual, and barcode modes, using the same set of leads. There is no need to change leads for the various modes.

The Easy Fuse processor is equipped with memory for data storage, and can be downloaded to determine installation conditions, and completion status of fusion cycles. The information can be easily downloaded to a computer using Windows operating systems 95, or newer, without the need for additional download software.

FEATURES

- Enclosure: 13.5" × 16.8" × 12.5" water-resistant copolymer polypropylene case
- Weight: 51.5 lbs.
- Input Cable: 12"
- Output Cable: 25' fixed mounted 4.7mm resistor reading cable
- Input Voltage: 115 +/- 20% VAC (230 VAC units are available)
- Input Frequency: 50–60 Hertz
- Input Waveform: AC (sine, square or quasi-sine)
- Maximum Output Current: 100 A (50 A continuous, 1 hr.)
- Output Voltage: 8–48 VAC +/- 1.5%
- Operating Temperature Range: -10°F to +120°F
- Fusion Modes: Barcode, manual and GF Central Plastics (dedicated)
- Fusion Traceability Modes: Seven



Electrofusion Processors: BOSS III Processor

FEATURES

- Enclosure: 9.125" × 15.5" × 7.5"
- Weight: 24 lbs
- Output cable length: 25'
- Max continuous output current: 25 amps AC
- Output voltage: 8 VAC to 40 VAC
- Operating temperature range: 0°F to 120°F
- Operating modes: Barcode, CPID, manual barcode and manual
- Fusing capacity: 8 GF Central 2" couplers on full charge
- Maximum coupling size: 2"
- Charge time: 1 hour per battery
- Fusion information storage: 4000 fusions
- Download port: Serial
- Serial port specifications: 9600 baud, 8 data bits, 1 stop bit, no parity
- Environmental protection: IP54 splash-proof case open, water-proof with case lid closed and locked
- Calibration interval: 1 year
- Warranty: 1 year



Electrofusion Processors: Processor Accessories

PROCESSOR LEADS, TIPS, & TIP SETS & ACCESSORIES

LEADS

Description	Part Number	Wt.
25 ft. CP Dedicated Leads (New)	10006039	7.00
Universal Leads w/o Tips	5900004	3.50
Universal Leads w/Universal Tip Kit (3.0mm, 4.0mm & 4.7mm)	5900003	3.50
14 ft. Bar Code Leads w/Reader	5900034	4.00
Bar Code Reader (Wand)	5900019	0.30
25 ft. Bar Code Leads w/Reader	5900035	15.00

PROCESSOR LEAD TIPS & TIP SETS

Description	Tip Size	Part Number	Wt.
GF Central Universal Processor Tip Kit	3.0mm, 4.0mm & 4.7mm	5900005	0.30
Innogaz & Friatec Processor Tips	4.0mm (pair)	5900007	0.10
Central & Uponor	4.7mm (pair)	5900096	0.10
George Fisher	(pair)	5900008	N/A
GF Central Plastics	3.0mm (pair)	5900028	0.10
Connector Tip Set	Friatec 4.0mm to Central 4.7mm	5900093	0.10
Connector Tip Set	Set - CP 3 Pin to 4.7mm Single Pin	call	0.10
Pin Adapter Set 4.7 / 3.0mm (1 pair) Easy Fuse	4.7 / 3.0mm (1 pair) Easy Fuse	10001004	0.10
Pin Adapter Set 4.7 / 4.0mm (1 pair) Easy Fuse	4.7 / 4.0mm (1 pair) Easy Fuse	10001005	0.10
Easy Fuse Tip Set	4.7mm tip w/pogo pin and 4.7mm solid pin tip	10002790	0.20

ACCESSORIES

Description	Part Number	Wt.
Power Adapter (PigTail)	9000643	1.20
CP Downloaded Software & Cables	5750375	0.70
Sauron Download Software (GETRS)	5751579	0.80
WINCPF Software 3½" Disks w/Documentation	5900072	0.50
Printer Serial for Sauron Processor	5751528	3.00
Interface Cable for Model C & U Downloading	5750363	0.20
Charging Cord for BOSS Processor	5900102	N/A
Download Cable for BOSS Easy Fuse Processor	5900091	0.30
Fuse Kit for 110V Easy Fuse Processor	10002412	0.10
Fuse Kit for 220V Easy Fuse Processor	10003892	0.10

Scrapers: Pencil



PENCIL SCRAPERS

Size	Description	Part Number	Wt.
½" CTS	Scraper	5752159	0.70
½" IPS	Scraper	5752124	0.80
¾" CTS (Use with PE2406 Pipe Only)	Scraper	5752249	0.70
¾" CTS (Use with PE4710/PE100 Pipe Only)	Scraper	5752241	0.90
¾" IPS	Scraper	5752125	0.90
1" CTS	Scraper	10007609	1.00
1" IPS	Scraper	5752127	1.10
1¼" CTS	Scraper	5752128	1.20
1¼" IPS	Scraper	5752143	1.30
1½" IPS	Scraper	5752139	1.50
2" CTS	Scraper	5752092	2.10
2" IPS (Use w/molded fittings only)	Scraper	5752142	2.20

NOTE: Pipe preparation and contamination are very important considerations in the electrofusion process. Careful attention must be given to proper scraping and cleaning procedures.

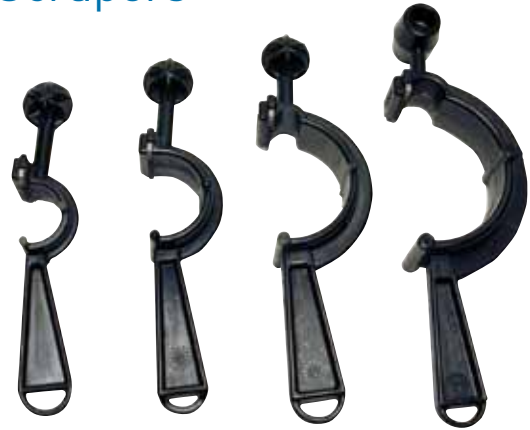
Electrofusion Equipment: Calibration Mandrel/Scraper Gauge



MANDRELS - SCRAPER GAUGES - REPLACEMENT BLADES FOR PENCIL SCRAPERS

Size	Description	Part Number	Wt.
½" CTS	Mandrel, Scraper Gauge	5752200	1.91
½" IPS	Mandrel, Scraper Gauge	5752201	2.11
¾" IPS	Mandrel, Scraper Gauge	5752202	2.37
¾" CTS (PE4710/PE100 Pipe Only)	Mandrel, Scraper Gauge	5752242	2.15
1" CTS	Mandrel, Scraper Gage	5752203	2.48
1" IPS	Mandrel, Scraper Gage	5752204	2.77
1¼" CTS	Mandrel, Scraper Gage	5752205	2.90
1¼" IPS	Mandrel, Scraper Gage	5752225	5.00
1½" IPS	Mandrel, Scraper Gage	5752226	7.00
2" IPS	Mandrel, Scraper Gage	5752227	8.15
2" CTS	Mandrel, Scraper Gage	5752254	7.37
Replacement Blades for Pencil Mini Scrapers	Scraper	5752130	0.02

Electrofusion Equipment: Molded Scrapers



MOLDED SCRAPERS

Size	Description	Part Number	Wt.
1¼" IPS	Scraper	5752120	.18
2" IPS	Scraper	5752118	.26
3" IPS	Scraper	5752122	.31
4" IPS	Scraper	5752119	.52
2" CTS	Scraper	5752270	.27
6" IPS	Scraper	5750127	2.32
Red Devil or Equal		5752150	.36

Electrofusion Equipment: Large Diameter Scrapers



LARGE DIAMETER SCRAPERS

Size	Description	Part Number	Wt.
RITMO 2"–6" IPS/DIPS (50 mm–160 mm)	Scraper	5752278	8.00
RITMO 3"–12" IPS/DIPS	Scraper	5752206	19.00
RITMO 14"–28" IPS/DIPS	Scraper	10003964	86.00
Replacement Blade for RITMO 5752206 3"–12"	Scraper	5752245	0.01
6" IPS	Scraper	5750127	2.32
Red Devil or Equal		5752150	0.36

NOTE: Pipe preparation and contamination are very important considerations in the electrofusion process. Careful attention must be given to proper scraping and cleaning procedures.

Electrofusion Equipment: Cast Rotary Scraper



CAST ROTARY SCRAPERS

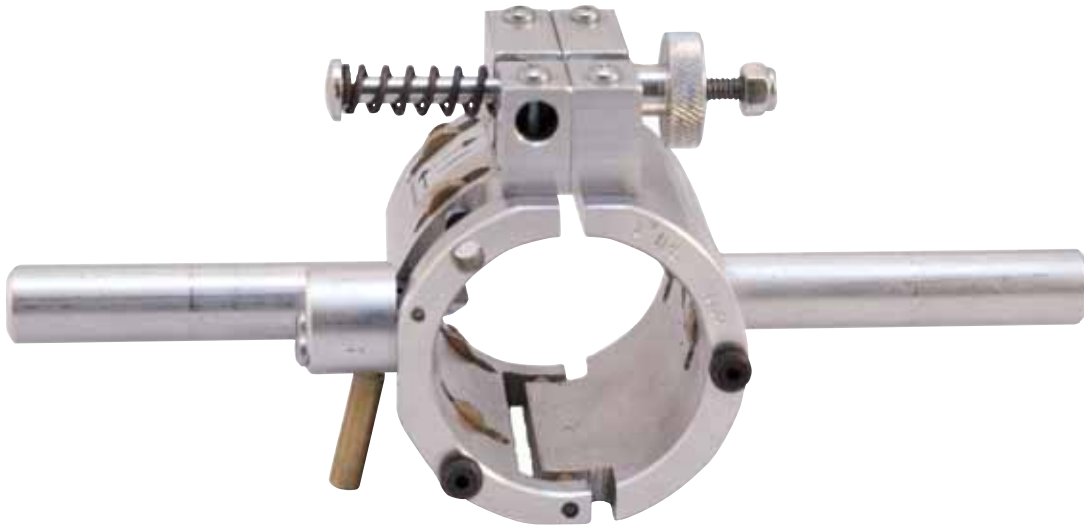
Size	Description	Part Number	Wt.
1¼"	Scraper	10001617	2.42
1½"	Scraper	10001618	2.24
2"	Scraper	10001619	2.12
3"	Scraper	10001623	3.00
4"	Scraper	10001624	3.40
6"	Scraper	10001625	5.16
8"	Scraper	10001626	6.18

Replacement Parts

1¼"-3"	Replacement Blade Kit	10001991	-
4"	Replacement Blade Kit	10001992	-
6"-8"	Replacement Blade Kit	10001993	-
1¼"-2"	Wheel Kit Assembly	10001988	-
3"-4"	Wheel Kit Assembly	10001989	-
6"	Wheel Kit Assembly	10001990	-
8"	Wheel Kit Assembly	10001972	-
1¼"-2"	Knob Kit	10001995	-
3"	Knob Kit	10001996	-
4"	Knob Kit	10002266	-
6"-8"	Knob Kit	10002265	-
1¼"-8"	Bushing Kit	10001973	-
1¼"-2"	Latch Assembly Kit	5752209	-
3"-4"	Latch Assembly Kit	10001997	-
6"-8"	Latch Assembly Kit	5752210	-
1¼"-2"	Stiffener	10002070	-
1¼"-2"	Spring	10001994	-
3"-8"	Spring	5752213	-

NOTE: Pipe preparation and contamination are very important considerations in the electrofusion process. Careful attention must be given to proper scraping and cleaning procedures.

Electrofusion Equipment: Machined Rotary Scrapers



MACHINED ROTARY SCRAPERS

Size	Description	Part Number	Wt.
1¼"	Scraper	10002723	1.87
2"	Scraper	10002724	1.87
3"	Scraper	10002725	2.53
4"	Scraper	10002726	2.97
6"	Scraper	10002727	5.51
8"	Scraper	10002728	7.27

Replacement Parts

1¼"-2"	Replacement Blade Kit	10002729	-
3"-4"	Replacement Blade Kit	10002730	-
6"-8"	Replacement Blade Kit	10002731	-
1¼"	Roller Wheel	10002736	-
2"	Roller Wheel	10002737	-
3"-4"	Roller Wheel	10002738	-
6"	Roller Wheel	10002739	-
8"	Roller Wheel	10002740	-

NOTE: Pipe preparation and contamination are very important considerations in the electrofusion process. Careful attention must be given to proper scraping and cleaning procedures.

Electrofusion Equipment: Coupling Clamps



COUPLING CLAMPS

Size	Description	Part Number	Wt.
1/2" CTS	Mini Clamp	5752006	1.20
1/2" IPS	Mini Clamp	5752005	1.10
3/4" CTS	Mini Clamp	5752244	1.80
3/4" IPS	Mini Clamp	5752004	1.10
1" CTS	Mini Clamp	5752003	1.10
1" IPS	Mini Clamp	5752002	1.10
1 1/4" CTS	Mini Clamp	5752090	1.00
1 1/4" CTS	Locking Plier Style	5752273	2.00
1 1/4" IPS	Locking Plier Style	5752001	2.00
1 1/2" IPS	Locking Plier Style	5752097	2.10
2" CTS	Locking Plier Style	5752096	2.10
2" IPS	Locking Plier Style	5752098	2.10

Electrofusion Equipment: Reducing Clamps



REDUCING CLAMPS

Size	Description	Part Number	Wt.
3/4" IPS x 1/2" CTS	Reducer Clamp	5752011	1.10
1" IPS x 1/2" CTS	Reducer Clamp	5752010	1.10
1" IPS x 1/2" IPS	Reducer Clamp	5752009	1.10
1" IPS x 3/4" IPS	Reducer Clamp	5752008	1.00
1" IPS x 1" CTS	Reducer Clamp	5752007	1.00
1 1/4" CTS x 1" IPS	Reducer Clamp	5752040	1.00
1 1/4" IPS x 1" IPS	Reducer Clamp	5752043	2.40
1 1/4" CTS x 1" CTS	Reducer Clamp	10000520	1.00
1" CTS x 1/2" CTS	Reducer Clamp	10000474	1.10
1" CTS x 3/4" IPS	Reducer Clamp	10000476	1.10

Electrofusion Equipment: Clamps Kits and Liners



CLAMPS KITS & LINERS

Size	Description	Part Number	Wt.
2" IPS, 3" IPS, 4" IPS	Multi-Clamp Kit	5750350	41.00
6" IPS-14" IPS	Mega-Clamp Kit	5752080	28.60
8" IPS	Pipe Clamp Kit	5750048	49.00
4" IPS x 1¼" IPS	Multi-Clamp Liner	5750263	5.20
4" IPS x 1½" IPS	Multi-Clamp Liner	5752097	4.90
4" IPS x 2½" IPS	Multi-Clamp Liner	5750371	3.60
6" IPS (Set of 2 Clamps Only)***	Pipe Clamp Kit	5750066	11.20
4" DIPS (Set of 2 Clamps Only)***	Pipe Clamp Kit	5752081	7.00
6" DIPS (Set of 2 Clamps Only)***	Pipe Clamp Kit	5752082	11.00
	Dovetail Connecting Bar Kit ***	5750262	1.50
	Dovetail Tee Bar Kit ***	5750309	1.80
	Dovetail Slide Base (Multi-Clamp Base)	5750348	7.10
	Dovetail Slide Base (4 ft. Long)	5752098	2.10

***Does not include base.

Items can be used with Multi-Clamp Base or Dovetail Slide Bases.

Electrofusion Equipment: Side Wall Clamps



Type A-G
Under Clamps



Type H
Top Load Clamp



Type I, J and K
T-Clamps

SIDE WALL CLAMPS

Size	Description	Clamp Type	Part Number	Wt.
1¼" IPS	Under Clamp	A	5750014	1.20
1½"	Under Clamp	AA	5750019	1.90
2" CTS	Under Clamp	AB	5752093	2.60
2" IPS	Under Clamp	B	5750862	2.00
3" IPS	Under Clamp	C	5750863	2.90
4" IPS	Under Clamp	D	5750864	2.90
4" DIPS	Under Clamp	L	5751656	3.70
6" IPS	Under Clamp	E	5750865	3.50
6" DIPS	Under Clamp	M	5751644	4.30
4" x 4"	Under Clamp	F	5001063	4.90
6" x 4"	Under Clamp	G	5001080	13.20
8"-12" IPS & Larger (Adapters Included)	Top Load Clamp	H	10006736	19.90
Tap Tee Service Fitting Adapter	Top Load Clamp		5750666	4.00
HVTT & 2" Branch Saddle Adapter	Top Load Clamp		5750667	0.60
WBHVTT & Corp Saddle Fitting	Top Load Clamp		5758320	1.30
Adapter 2" IPS Outlets	T-Clamp	I	call	3.80
4" PSM & 4" IPS Outlets	T-Clamp	J	5750925	7.70
6" PSM, 6" IPS, 8" IPS Outlets	T-Clamp	K	5750926	10.10
	Top Clamp for EF WYEs	O	10003201	16.50
Flex Restraint Clamp	Ratchet Strap	N	9001287	n/a

Electrofusion Equipment: Tools and Accessories



Standard Punch Tool

No Blow-by
Punch Tool

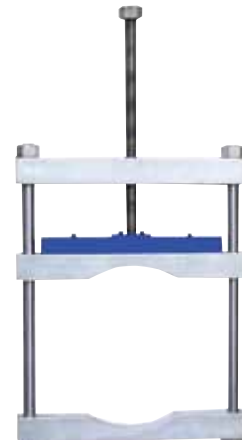
Test Caps

PUNCH TOOLS & TEST CAPS

Description	Part Number	Wt.
Standard Punch Tool for Tapping Tees	5750007	1.09
High Volume Punch Tool "Old Style HVTT"	5750202	2.07
WBHVTT Punch Tool 5/8" Hex Blow-By Restrictor	5758000	5.79
WBHVTT Punch Tool 5/8" Hex Heavy Duty w/18" Handle	5751907	4.13
WBHVTT Punch Tool 3/4" Sq Ratchet Drive x 5/8" Hex Blow-By Restrictor ***	5758111	4.51
Ratchet Wrench with 3/4" Square Female Open End Socket ***	9001304	6.00
Standard Tapping Tee Test Cap with 1/8" NPT Male "New Style"	6920980	.34
Standard High Volume Tapping Tee Test Cap with 1/8" NPT Male	6932447	.64
Wide Body HVTT Test Cap with 1/8" NPT Male "New Style"	5758595	.57

*** Both of these tools are required if customer does not have existing 3/4" female ratchet wrench.

Electrofusion Equipment: Re-Rounding Tool



RE-ROUNDING TOOL

Size	Description	Part Number	Wt.
12" IPS/DIPS-20" IPS/DIPS	Re-Rounding Tool	10003956	65.00
20" IPS/DIPS-28" IPS/DIPS	Re-Rounding Tool	10003957	105.00

Call us about our Re-Rounding Tool Rental Program.

Compression Fittings
Clamp Saddles
Compression Assy.
Ball Valves
Check Valves



Plastic Mechanical Fitting Products

The Right Connection

+GF+

1-800-654-3872

1-405-273-6302

www.centralplastics.com



Plastic Mechanical Products: Alprene Compression Fittings

- Couplings
- Reducing Couplings
- Male Adapters
- Female Adapters
- End Caps
- CTS Couplings
- CTS Male Adapters
- CTS Female Adapters
- CTS Conversion Kits
- PVC Conversion Kits
- Elbows
- Tees
- Clamp Saddles



Georg Fischer Central Plastics is proud to offer the Alprene Compression Fitting that allows assembly on all types of polyethylene pipe with no need to disassemble the fitting. Alprene components are designed to work together smoothly to guarantee a reliable and efficient joint. Simply loosen the nut and then insert the pipe all the way into the fitting until you hit the pipe-stop (Push-fit type).

The body is a unique modular construction with axial reinforcements.

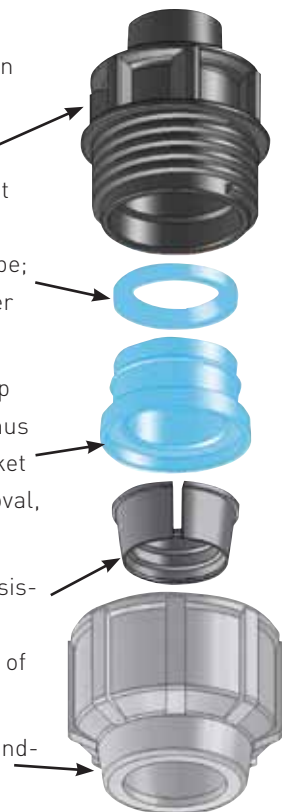
The conical shape of the pre-lubricated gasket allows insertion of the pipe without disassembling the fitting. The double lip gasket covers a wide surface of the PE pipe; it assures a perfect and constant seal over the full lifetime of the fitting.

The thrust ring applies pressure on the lip gasket after the nut has been tightened thus allowing an ideal compression of the gasket on the pipe. Even on pipe that is slightly oval, undersized or scratched.

The floating split ring provides perfect resistance to possible pull-out forces without having a negative impact on the tightness of the fitting.

The robust design of the nut offers outstanding impact resistance.

[CTS sizes and kits available](#)
[PVC transition kits available](#)



Compression Fitting Features

Body & Nut

Material: PP copolymer (PP-B)
Color: dark body, light grey nut
UV resistance (Grade 8, ASTM D 2565)

Thrust Ring

Material: PP- light blue master batch

Split Ring

Material: POM – dark grey master batch
Floating to compensate possible pipe stress (thermal or mechanical)

Gasket

Material: NBR suitable for potable water (NSF Listed)

Applicable Standards

Pipe Connection

ASTM D 2447 (IPS) for use on SDR 7 thru SDR 17, ASTM D 3035

Threads

NPT, Male Thread (pressure tight)
Female Thread (pressure tight)
ANSI/ASME B1.201

Test Standards

ISO 3454-59, / 3501-3503-9561 / DIN 8076 / UNI 403 / ISO / DIS 14236.2

Working Pressure

½" thru 2" Fitting MAOP : 232 psi @ 68°F
3" Fitting MAOP : 150 psi@ 68°F

Plastic Mechanical Products: Alprene Clamp Information

In addition to the flexibility that the Alprene compression fittings can add to the installation of your piping systems, Georg Fischer Central Plastics has taken the next step by adding the versatility of the Alprene Clamp Saddle. The strength, reliability and ease of installation of this high quality bolt-on saddle allows the user to assemble this fitting by simply bolting the two halves of the clamp saddle together on all types of polyethylene and PVC pipe. And just like the other Alprene fittings that GF Central Plastics offers, the Alprene Clamp Saddle components are designed to work together smoothly to guarantee a reliable and efficient joint connection.

Clamp Saddle Features

Body

Material PP copolymer (PP-B)
 Color: black master batch
 UV resistance (grade 8, ASTM D 2565)

Gasket

NBR Rubber suitable for contact with potable water (FDA approved)
 Hardness: 70 shore

Reinforcing Ring

Stainless Steel
 AISI 430

Bolts & Nuts

SS Bolt: AISI 304 (A2)
 SS Nuts: AISI 316 (A4-70)

Applicable Standards

For PE Pipe Connection

ASTM D 2447
 ASTM D 3035

For PVC & C PVC Pipe Connection

ASTM D 1785 F 441

Threads

Female Thread (pressure tight)
 ANSI/ASME B1.201

Test Standards

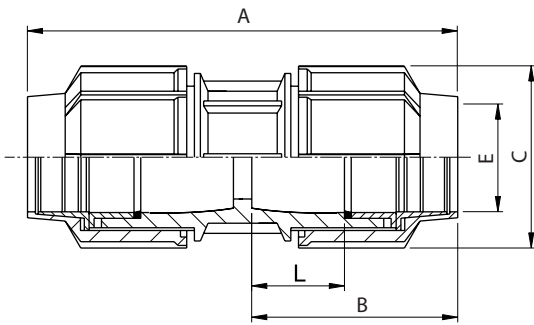
ISO / DIS 14236.2



SADDLE CLAMP WORKING PRESSURES PSI (NPT Outlets)

Nominal Base Size	OD (mm)	½" NPT	¾" NPT	1" NPT	1¼" NPT	1½" NPT	2" NPT	3" NPT	4" NPT
¾"	26.6	150							
1"	33.4	150	150						
1¼"	42.1	150	150	150					
1½"	48.1	150	150	150					
2"	60.2	150	150	150	150				
2½"	73.3	150	150	150	150	150	150		
3"	88.7	150	150	150	150	150	150		
4"	114.1	150	150	150	150	150	150		
5"	140			150	150	150	150		
6"	168			150	150	150	150	90	90
8"	220					90	90	90	90

Plastic Compression Fittings: IPS Coupling



IPS COUPLING DIMENSIONS

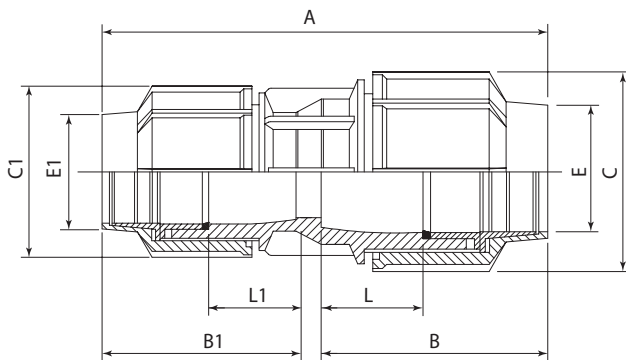
Size	A	B	C	E	L
1/2"	4.49	2.17	1.81	0.89	0.59
3/4"	4.96	2.36	2.13	1.08	0.71
1"	5.16	2.64	2.62	1.42	0.71
1 1/4"	6.89	3.39	3.21	1.77	1.02
1 1/2"	7.68	3.78	3.66	2.11	1.04
2"	9.76	4.80	4.61	2.560	1.63
3"	12.68	6.22	6.30	3.66	2.40

Call for availability of other sizes and dimensions.

ALPRENE IPS COMPRESSION COUPLINGS

Size	Part Number	Weight (lbs.)	Standard Pack (Bag)	Gross Pack (Box)
1/2"	ALP-44102200	0.15	25	200
3/4"	ALP-44102700	0.24	25	125
1"	ALP-44103400	0.34	25	75
1 1/4"	ALP-44104200	0.82	10	30
1 1/2"	ALP-44104800	1.10	10	20
2"	ALP-44106000	2.19	10	10
3"	ALP-44109000	5.09	1	5

Plastic Compression Fittings: IPS Reducing Coupling



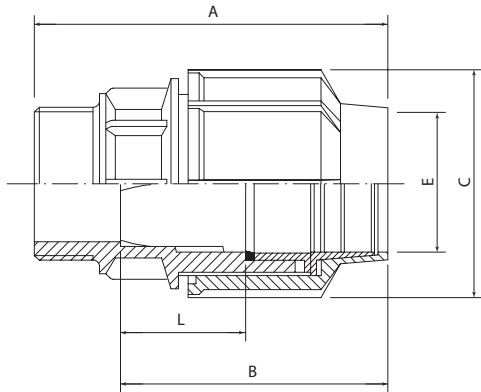
REDUCING COUPLING DIMENSIONS

Size	A	B	C	E	L	B1	C1	E1	L1
2" x 1 1/2"	8.50	4.61	4.61	2.56	1.50	3.78	3.66	2.09	1.08
3" x 2"	13.98	7.40	6.30	3.66	3.43	6.30	4.61	2.56	3.23

ALPRENE IPS COMPRESSION REDUCING COUPLINGS

Size	Part Number	Weight (lbs.)	Standard Pack (Bag)	Gross Pack (Box)
2" x 1 1/2"	ALP-45106048	1.65	5	15
3" x 2"	ALP-45109060	3.94	1	6

Plastic Compression Fittings: IPS Male Adapter



IPS MALE ADAPTER DIMENSIONS

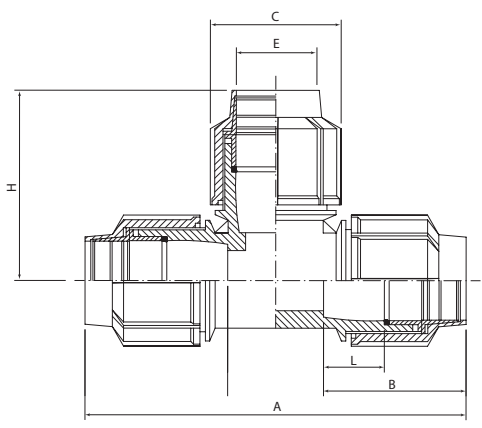
Size	Thread	A	B	C	E	L
½" IPS	½" NPT	2.99	2.21	1.81	0.89	0.59
¾" IPS	¾" NPT	3.31	2.48	2.24	1.08	0.79
1" IPS	1" NPT	3.62	2.76	2.62	1.42	0.81
1¼" IPS	1¼" NPT	4.51	3.43	3.21	1.77	1.08
1½" IPS	1½" NPT	4.96	3.90	3.66	2.11	1.16
2" IPS	2" NPT	6.14	4.69	4.61	2.56	1.61
3" IPS	3" NPT	8.27	6.61	6.30	3.66	2.68

ALPRENE IPS COMPRESSION MALE ADAPTERS

Size (Compression × Thread)	Part Number	Weight (lbs.)	Standard Pack (Bag)	Gross Pack (Box)
½" × ½"	ALP-72102202	0.09	25	350
¾" × ¾"	ALP-72102704	0.13	25	225
1" × 1"	ALP-72103410	0.20	25	150
1¼" × 1¼"	ALP-72104214	0.54	10	60
1¼" × 1½"	ALP-72104212	0.45	30	60
1½" × 1½"	ALP-72104812	0.63	10	40
1½" × 1¼"	ALP-72104814	0.59	20	40
2" × 2"	ALP-72106020	1.24	5	20
3" × 3"	ALP-72109000	2.89	1	10

Call for availability of other sizes and dimensions.

Plastic Compression Fittings: IPS Equal Tee



EQUAL TEE DIMENSIONS

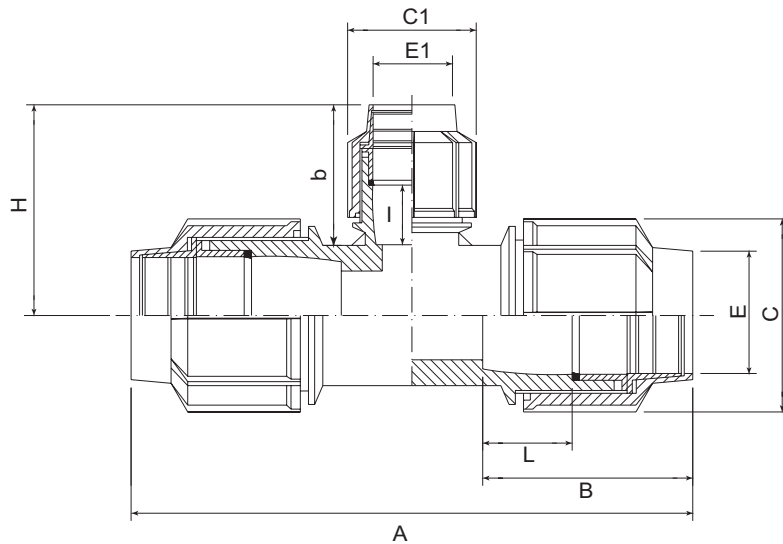
Size	A	B	C	E	H	L
1/2"	5.63	2.28	1.81	0.89	2.84	0.71
3/4"	3.02	2.36	2.24	1.08	3.01	0.69
1"	6.89	2.60	2.64	1.42	3.43	0.77
1 1/4"	9.37	3.47	3.21	1.77	4.65	1.06
1 1/2"	10.20	3.78	3.66	2.11	5.04	1.08
2"	12.48	4.45	4.61	2.56	6.30	1.38
3"	18.58	7.21	6.30	3.66	5.51	3.23

ALPRENE IPS COMPRESSION TEES

Size	Part Number	Weight (lbs.)	Standard Pack (Bag)	Gross Pack (Box)
1/2"	ALP-46102200	0.24	25	100
3/4"	ALP-46102700	0.44	25	50
1"	ALP-46103400	0.66	15	30
1 1/4"	ALP-46104200	1.32	10	20
1 1/2"	ALP-46104800	1.83	6	12
2"	ALP-46106000	3.40	3	6
3"	ALP-46109000	8.67	1	2

Call for availability of other sizes and dimensions.

Plastic Compression Fittings: IPS Reducing Tee



REDUCING TEE DIMENSIONS

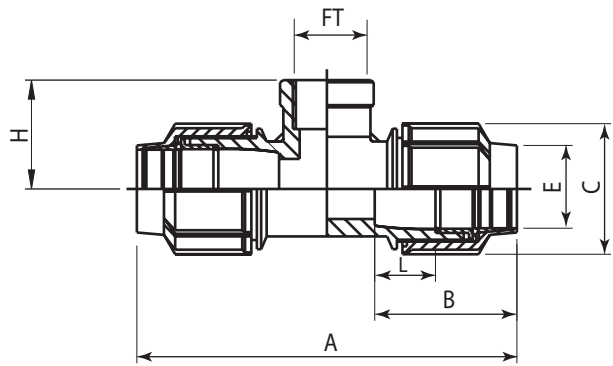
Size	A	B	C	E	L	b	C1	E1	I	H
2" × 1½" × 2"	12.48	4.45	4.61	2.56	1.38	3.54	3.66	2.09	1.10	5.12

ALPRENE IPS COMPRESSION REDUCING TEES

Size	Part Number	Weight (lbs.)	Standard Pack (Bag)	Gross Pack (Box)
2" × 1½" × 2"	ALP-48106048	3.03	4	8

Call for availability of other sizes and dimensions.

Plastic Compression Fittings: IPS Tee w/Threaded Offtake



EQUAL TEE w/THREADED FEMALE OFFTAKE DIMENSIONS

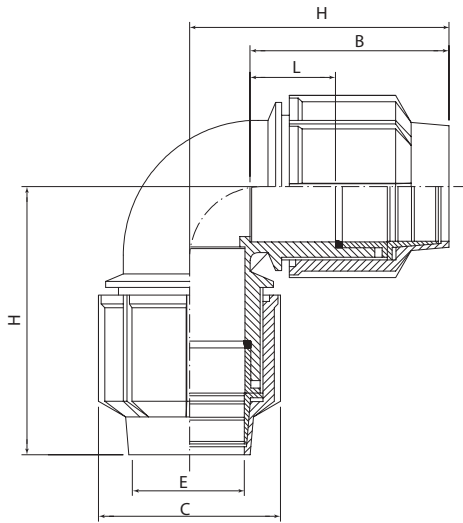
Size	Thread	A	B	C	E	H	L
1/2"	1/2" FNPT	5.63	2.28	1.81	0.89	1.89	0.71
3/4"	3/4" FNPT	6.02	2.36	2.24	1.08	1.46	0.69
1"	1" FNPT	6.89	2.60	2.62	1.42	1.69	0.77
1 1/4"	1 1/4" FNPT	9.37	3.43	3.21	1.77	2.09	1.06
1 1/2"	1 1/2" FNPT	10.24	3.80	6.66	2.11	2.46	1.08
2"	2" FNPT	12.48	4.45	4.61	2.56	2.76	1.38
3"	3" FNPT	18.58	7.21	6.30	3.66	3.98	3.23

ALPRENE IPS COMPRESSION TEES w/THREADED FEMALE OFFTAKE

Size	Part Number	Weight (lbs.)	Standard Pack (Bag)	Gross Pack (Box)
1/2"	ALP-77102202	0.20	25	125
3/4"	ALP-77102704	0.32	25	125
1"	ALP-77103410	0.50	15	45
1 1/4"	ALP-77104214	1.01	12	24
1 1/2"	ALP-77104812	1.43	8	16
2"	ALP-77106020	2.69	4	8
3"	ALP-77109030	6.60	1	3

Call for availability of other sizes and dimensions.

Plastic Compression Fittings: IPS 90° Elbow



90° ELBOW DIMENSIONS

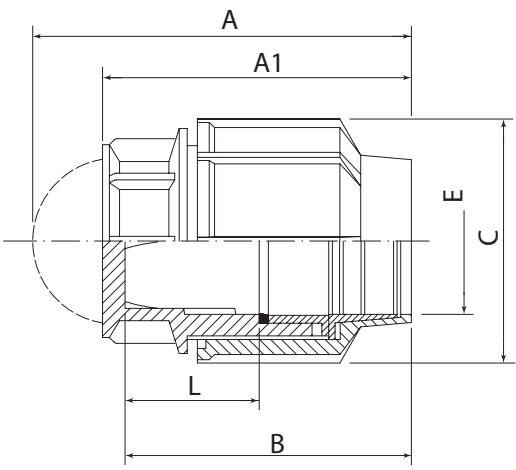
Size	A	B	C	H	L
1/2"	2.28	1.81	0.89	2.80	0.71
3/4"	2.36	2.24	1.08	3.01	0.67
1"	2.64	2.62	1.42	3.47	0.77
1 1/4"	3.39	3.21	1.77	4.61	1.06
1 1/2"	3.80	3.66	2.09	5.04	1.10
2"	4.49	4.61	2.56	6.23	1.38
3"	6.42	6.30	3.66	9.25	2.44

ALPRENE IPS 90° COMPRESSION ELBOWS

Size	Part Number	Weight (lbs.)	Standard Pack (Bag)	Gross Pack (Box)
1/2"	ALP-49102200	0.15	25	150
3/4"	ALP-49102700	0.27	25	100
1"	ALP-49103400	0.42	25	50
1 1/4"	ALP-49104200	0.88	15	30
1 1/2"	ALP-49104800	1.21	10	20
2"	ALP-49106000	2.43	5	10
3"	ALP-49109000	5.99	1	3

Call for availability of other sizes and dimensions.

Plastic Compression Fittings: IPS End Caps



END CAP DIMENSIONS

Size	A	B	C	E	A1	L
1/2"	2.76	2.24	1.79	0.89	2.36	0.69
3/4"	3.11	2.52	2.24	1.08	2.64	0.69
1"	3.54	2.17	2.62	1.42	2.89	0.75
1 1/4"	4.41	3.43	3.21	1.77	3.64	1.08
1 1/2"	5.08	3.90	3.66	2.11	4.13	1.16
2"	6.30	4.80	4.61	2.56	5.20	1.64
3"	8.66	6.81	6.30	3.66	7.13	2.68

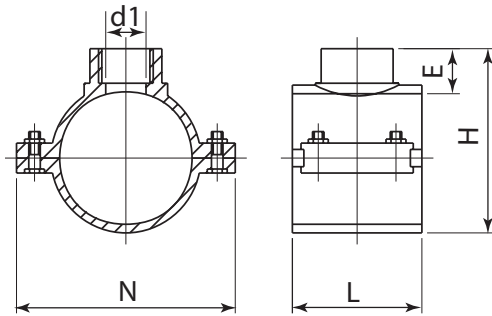
ALPRENE IPS COMPRESSION END CAPS

Size	Part Number	Weight (lbs.)	Standard Pack (Bag)	Gross Pack (Box)
1/2"	ALP-41702200	0.09	25	375
3/4"	ALP-41702700	0.14	25	250
1"	ALP-41703400	0.22	25	150
1 1/4"	ALP-41704200	0.46	10	60
1 1/2"	ALP-41704800	0.66	10	40
2"	ALP-41706000	1.28	5	20
3"	ALP-41709000	2.98	1	6

Call for availability of other sizes and dimensions.

Plastic Bolt-On Saddles: Premier IPS Clamp Saddle

(with flat gasket, stainless ring & stainless bolts)



PREMIER BOLT-ON CLAMP SADDLE DIMENSIONS

Size	d1	N	L	H	E
3/4" x 1/2"	0.49	3.11	1.93	2.28	0.79
3/4" x 3/4"	0.49	3.11	1.93	2.28	0.79
1" x 1/2"	0.55	3.11	1.93	2.44	0.79
1" x 3/4"	0.55	3.11	1.93	2.44	0.79
1 1/4" x 1/2"	0.81	3.39	2.44	2.80	0.79
1 1/4" x 3/4"	0.81	3.39	2.44	2.80	0.79
1 1/4" x 1"	0.81	3.39	2.44	2.76	0.75
1 1/2" x 1/2"	0.81	3.39	2.44	3.23	0.75
1 1/2" x 3/4"	0.81	3.39	2.44	3.23	0.75
1 1/2" x 1"	0.81	3.39	2.44	3.23	0.75

ALPRENE PREMIER BOLT-ON IPS CLAMP SADDLES

Base Size	Outlet Size	Part Number	Weight (lbs.)	Standard Pack (Bag)	Gross Pack (Box)
3/4"	1/2"	ALP-715402702X	0.21	1	150
3/4"	3/4"	ALP-715402704X	0.21	1	150
1"	1/2"	ALP-715403402X	0.20	1	150
1"	3/4"	ALP-715403404X	0.22	1	100
1 1/4"	1/2"	ALP-715404202X	0.28	1	100
1 1/4"	3/4"	ALP-715404204X	0.29	1	100
1 1/4"	1"	ALP-715404210X	0.30	1	100
1 1/2"	1/2"	ALP-715404802X	0.29	1	100
1 1/2"	3/4"	ALP-715404804X	0.30	1	100
1 1/2"	1"	ALP-715404810X	0.31	1	100

Call for availability of other sizes and dimensions.

Plastic Bolt-On Saddles: Premier IPS Clamp Saddle

(with flat gasket, stainless ring & stainless bolts)



PREMIER BOLT-ON CLAMP SADDLE DIMENSIONS

Size	d1	N	L	H	E
2" x 1/2"	0.71	3.98	2.44	3.78	0.83
2" x 3/4"	0.94	3.98	2.44	3.78	0.83
2" x 1"	1.22	3.98	2.44	3.78	0.83
2" x 1 1/4"	1.22	3.98	2.44	3.78	0.83
2" x 1 1/2"	1.22	3.98	2.44	3.78	0.83
2 1/2" x 3/4"	0.83	4.84	3.11	4.09	0.63
2 1/2" x 1"	1.06	4.84	3.11	4.21	0.75
2 1/2" x 1 1/4"	1.38	4.84	3.11	4.29	0.83
2 1/2" x 1 1/2"	1.65	4.84	3.11	4.29	0.83
2 1/2" x 2"	2.09	4.84	3.11	4.41	0.94
3" x 3/4"	0.83	5.43	3.43	4.65	0.63
3" x 1"	1.06	5.43	3.43	4.65	0.748

ALPRENE PREMIER BOLT-ON IPS CLAMP SADDLES

Base Size	Outlet Size	Part Number	Weight (lbs.)	Standard Pack (Bag)	Gross Pack (Box)
2"	1/2"	ALP-715406002X	0.44	1	80
2"	3/4"	ALP-715406004X	0.45	1	70
2"	1"	ALP-715406010X	0.50	1	70
2"	1 1/4"	ALP-715406014X	0.50	1	70
2"	1 1/2"	ALP-715406012X	0.48	1	70
2 1/2"	3/4"	ALP-715407304X	0.80	1	40
2 1/2"	1"	ALP-715407310X	0.81	1	40
2 1/2"	1 1/4"	ALP-715407314X	0.84	1	40
2 1/2"	1 1/2"	ALP-715407312X	0.82	1	40
2 1/2"	2"	ALP-715407320X	0.86	1	40
3"	3/4"	ALP-715409004X	0.90	1	34
3"	1"	ALP-715409010X	0.91	1	34
3"	1 1/4"	ALP-715409014X	0.95	1	34
3"	1 1/2"	ALP-715409012X	0.93	1	30
3"	2"	ALP-715409020X	0.96	1	30

Call for availability of other sizes and dimensions.

Plastic Bolt-On Saddles: Premier IPS Clamp Saddle

(with flat gasket, stainless ring & stainless bolts)



PREMIER BOLT-ON CLAMP SADDLES DIMENSIONS

Size	d1	N	L	H	E
3" × 1¼"	1.38	5.43	3.43	4.65	0.83
3" × 1½"	1.65	5.43	3.43	4.65	0.83
3" × 2"	2.09	5.43	3.43	4.65	0.94
4" × ½"	0.59	5.98	3.90	5.91	0.91
4" × ¾"	0.79	5.98	3.90	5.91	0.91
4" × 1"	1.02	5.98	3.90	5.91	0.91
4" × 1¼"	1.38	5.98	3.90	5.91	0.91
4" × 1½"	1.61	5.98	3.90	5.91	0.91
4" × 2"	2.01	5.98	3.90	5.91	0.91
6" × 1"	1.18	8.90	4.45	8.46	0.94
6" × 1¼"	1.46	8.90	4.45	8.46	0.94
6" × 1½"	1.77	8.90	4.45	8.46	0.94
6" × 2"	1.99	8.90	4.45	8.46	0.94
6" × 3"	3.31	8.98	5.59	8.74	1.50
6" × 4"	3.54	8.98	5.59	8.74	1.50

PREMIER BOLT-ON CLAMP SADDLE DIMENSIONS

Size	d1	N	L	H	E
8" × 1½"	1.77	11.30	5.71	11.30	1.02
8" × 2"	1.99	11.30	5.71	11.30	1.02
8" × 3"	3.35	11.30	6.85	11.61	1.46
8" × 4"	5.12	11.30	6.85	11.61	1.50
10" × 2"	2.01	13.98	7.05	12.83	1.22
10" × 4"	3.86	13.98	7.05	13.31	1.81
12" × 2"	2.01	15.35	9.69	13.78	1.22
12" × 4"	3.86	15.35	9.69	14.29	1.81

ALPRENE PREMIER BOLT-ON IPS CLAMP SADDLES

Base Size	Outlet Size	Part Number	Weight (lbs.)	Standard Pack (Bag)	Gross Pack (Box)
3"	1¼"	ALP-715409014X	0.95	1	34
3"	1½"	ALP-715409012X	0.93	1	30
3"	2"	ALP-715409020X	0.96	1	30
4"	½"	ALP-715411402X	0.96	1	20
4"	¾"	ALP-715411404X	0.97	1	20
4"	1"	ALP-715411410X	0.98	1	20
4"	1¼"	ALP-715411414X	1.01	1	20
4"	1½"	ALP-715411412X	0.99	1	20
4"	2"	ALP-715411420X	1.03	1	20
6"	1"	ALP-715416810X	1.80	1	20
6"	1¼"	ALP-715416814X	1.82	1	20
6"	1½"	ALP-715416812X	1.83	1	20
6"	2"	ALP-715416820X	1.84	1	20
6"	3"	ALP-715416830X	2.65	1	10
6"	4"	ALP-715416840X	2.83	1	10
8"	1½"	ALP-715422012X	3.45	1	5
8"	2"	ALP-715422020X	3.77	1	5
8"	3"	ALP-715422030X	4.62	1	5
8"	4"	ALP-715422040X	4.71	1	5
10"	2"	ALP-715427320X	7.70	1	3
10"	4"	ALP-715427340X	7.92	1	3
12"	2"	ALP-715432320X	9.24	1	3
12"	4"	ALP-715432340X	9.24	1	3

Plastic Bolt-On Saddles: Standard IPS Clamp Saddle

(with o-ring gasket and plated bolts)



STANDARD BOLT-ON CLAMP SADDLE DIMENSIONS

Size	d1	N	L	H	E
¾" × ½"	0.49	3.11	1.93	2.28	0.79
¾" × ¾"	0.49	3.11	1.93	2.28	0.79
1" × ½"	0.55	3.11	1.93	2.44	0.79
1" × ¾"	0.55	3.11	1.93	2.44	0.79
1¼" × ½"	0.81	3.39	2.44	2.80	0.79
1¼" × ¾"	0.81	3.39	2.44	2.80	0.79
1¼" × 1"	0.81	3.39	2.44	2.80	0.75
1½" × ½"	0.81	3.39	2.44	3.23	0.75
1½" × ¾"	0.81	3.39	2.44	3.23	0.75
1½" × 1"	0.81	3.39	2.44	3.23	0.75

STANDARD BOLT-ON CLAMP SADDLE DIMENSIONS

Size	d1	N	L	H	E
2" × ½"	0.71	3.98	2.44	3.78	0.83
2" × ¾"	0.94	3.98	2.44	3.78	0.83
2" × 1"	1.22	3.98	2.44	3.78	0.83
2" × 1¼"	1.22	3.98	2.44	3.78	0.83
2" × 1½"	1.22	3.98	2.44	3.78	0.83
2½" × ¾"	0.83	4.84	3.11	4.09	0.63
2½" × 1"	1.06	4.84	3.11	4.21	0.75
2½" × 1¼"	1.38	4.84	3.11	4.29	0.83
2½" × 1½"	1.65	4.84	3.11	4.29	0.83
2½" × 2"	2.09	4.84	3.11	4.41	0.94
3" × ¾"	0.83	5.43	3.43	4.65	0.63
3" × 1"	1.06	5.43	3.43	4.65	0.75
3" × 1¼"	1.38	5.43	3.43	4.65	0.83
3" × 1½"	1.65	5.43	3.43	4.65	0.83
3" × 2"	2.09	5.43	3.43	4.65	0.94

ALPRENE STANDARD BOLT-ON IPS CLAMP SADDLES

Base Size	Outlet Size	Part Number	Weight (lbs.)	Standard Pack (Bag)	Gross Pack (Box)
¾"	½"	ALP-715002702	.26	1	150
¾"	¾"	ALP-715002704	.26	1	150
1"	½"	ALP-715003402	.26	1	150
1"	¾"	ALP-715003404	.26	1	150
1¼"	½"	ALP-715004202	.26	1	100
1¼"	¾"	ALP-715004204	.26	1	100
1¼"	1"	ALP-715004210	.26	1	100
1½"	½"	ALP-715004802	.34	1	100
1½"	¾"	ALP-715004804	.35	1	100
1½"	1"	ALP-715004810	.35	1	100
2"	½"	ALP-715006002	.46	1	100
2"	¾"	ALP-715006004	.45	1	70
2"	1"	ALP-715006010	.46	1	70
2"	1¼"	ALP-715006014	.47	1	70
2"	1½"	ALP-715006012	.47	1	70
2½"	¾"	ALP-715007304	.76	1	40
2½"	1"	ALP-715007310	.77	1	40
2½"	1¼"	ALP-715007314	.78	1	40
2½"	1½"	ALP-715007312	.78	1	40
2½"	2"	ALP-715007320	.81	1	40
3"	¾"	ALP-715009004	.87	1	34
3"	1"	ALP-715009010	.87	1	34
3"	1¼"	ALP-715009014	.89	1	34
3"	1½"	ALP-715009012	.91	1	30
3"	2"	ALP-715009020	.91	1	30

Plastic Bolt-On Saddles: Standard IPS Clamp Saddle

(with o-ring gasket and plated bolts)



STANDARD BOLT-ON CLAMP SADDLE DIMENSIONS

Size	d1	N	L	H	E
4" x 1/2"	0.59	5.98	3.90	5.91	0.91
4" x 3/4"	0.79	5.98	3.90	5.91	0.91
4" x 1"	1.02	5.98	3.90	5.91	0.91
4" x 1 1/4"	1.38	5.98	3.90	5.91	0.91
4" x 1 1/2"	1.61	5.98	3.90	5.91	0.91
4" x 2"	2.01	5.98	3.90	5.91	0.91
6" x 1"	1.18	8.90	4.45	8.46	0.94
6" x 1 1/4"	1.46	8.90	4.45	8.46	0.94
6" x 1 1/2"	1.77	8.90	4.45	8.46	0.94
6" x 2"	1.99	8.90	4.45	8.46	0.94

ALPRENE STANDARD BOLT-ON IPS CLAMP SADDLES

Base Size	Outlet Size	Part Number	Weight (lbs.)	Standard Pack (Bag)	Gross Pack (Box)
4"	1/2"	ALP-715011402	1.06	1	20
4"	3/4"	ALP-715011404	1.06	1	20
4"	1"	ALP-715011410	1.07	1	20
4"	1 1/4"	ALP-715011414	1.08	1	20
4"	1 1/2"	ALP-715011412	1.08	1	20
4"	2"	ALP-715011420	1.11	1	20
6"	1"	ALP-715016810	3.48	1	20
6"	1 1/4"	ALP-715016814	3.48	1	20
6"	1 1/2"	ALP-715016812	3.49	1	20
6"	2"	ALP-715016820	3.53	1	20

Call for availability of other sizes and dimensions.

Conversion Kits: PVC



PVC CONVERSION KITS

Size	Part Number	Weight (lbs.)	Standard Pack	Gross Pack
1/2"	ALP-KITPVCASTM022	0.037	1	40
3/4"	ALP-KITPVCASTM027	0.071	1	35
1"	ALP-KITPVCASTM034	0.11	1	30
1 1/4"	ALP-KITPVCASTM042	0.21	1	20
1 1/2"	ALP-KITPVCASTM048	0.26	1	15
2"	ALP-KITPVCASTM060	0.55	1	10

Call for availability of other sizes and dimensions.

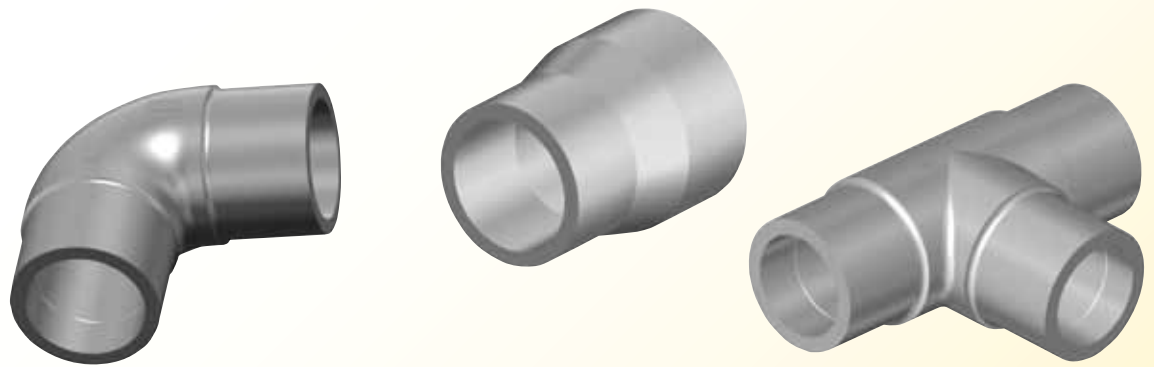
Elbows
Tees
Reducers
Caps

Flange Adapters
Back-Up Rings

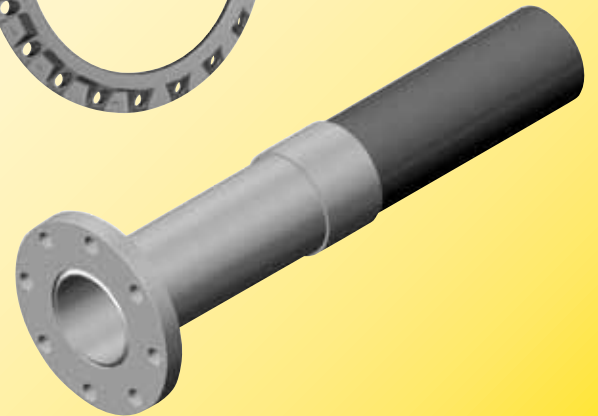
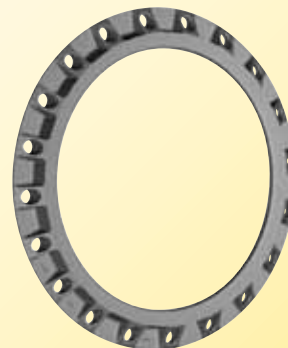
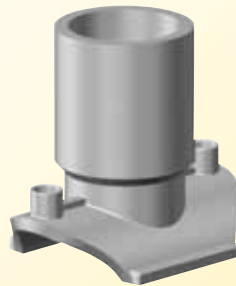
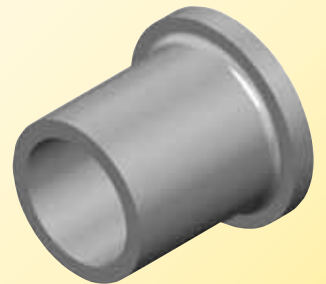
MJ Adapters
MJ Accessory Kits

Electrofusion:
Couplings
Branch Saddles

Transition Fittings



APPROVED



Factory Mutual (FM) Approved Products

The Right Connection

+GF+

1-800-654-3872

1-405-273-6302

www.centralplastics.com



Factory Mutual: Overview



Factory Mutual (FM) Approved Products

The Factory Mutual Research Corporation (FMRC) is a testing laboratory that is recognized in the U.S. and internationally for its work testing components for fire protection systems. Components for fire protection systems are tested to ensure that the products can pass an aggressive level of performance, safety and quality standards. Any Georg Fischer Central Plastics product that is labeled Factory Mutual (FM) symbol indicates that the product has met and/or exceeded the rigorous requirements of a fire protection system.

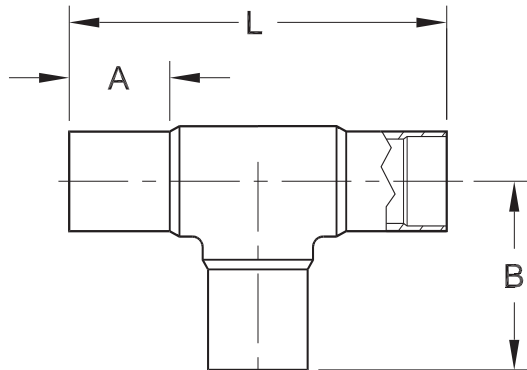
The manufacturing processes and the in-house testing facilities at GF Central Plastics have been inspected and approved by FMRC, and are audited frequently to ensure compliance and promote continuing improvement.



Factory Mutual: Butt Tee



APPROVED



BUTT TEE DIMENSIONS

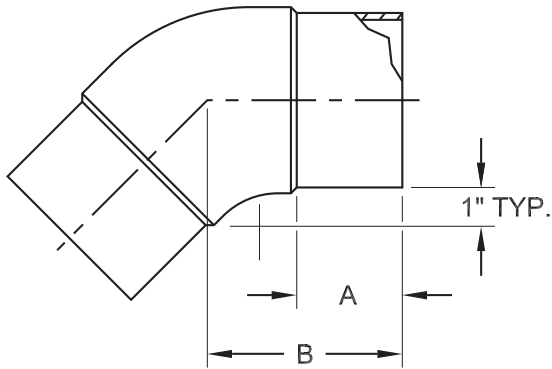
Nominal Size	A	B	L
4" IPS	2.90	5.60	11.20
6" IPS	4.34	9.00	18.00
8" IPS	6.00	12.00	24.00
10" IPS	6.00	13.25	26.50
12" IPS	7.50	15.88	31.76

Factory Mutual IPS Butt Tee

Size	SDR	Class	Part Number	Package Quantity	Weight
4"	DR 11	150	10004255	10	3.874
6"	DR 11	150	10004259	1	14.130
8"	DR 11	150	10004268	1	30.510
10"	DR 11	150	10004234	1	52.420
12"	DR 11	150	10004243	1	81.500
4"	DR 9	200	10002074	10	3.912
6"	DR 9	200	10004264	1	15.970
8"	DR 9	200	10004274	1	31.000
10"	DR 9	200	10004239	1	59.000
12"	DR 9	200	10004248	1	93.000

Call for availability of other sizes and dimensions.

Factory Mutual: 45° Butt Elbow



45° ELBOW DIMENSIONS

Nominal Size	A	B
4" IPS	3.00	5.00
6" IPS	4.38	7.00
8" IPS	6.00	11.00
10" IPS	6.00	13.25
12" IPS	7.50	15.75

Factory Mutual IPS 45° Butt Elbow

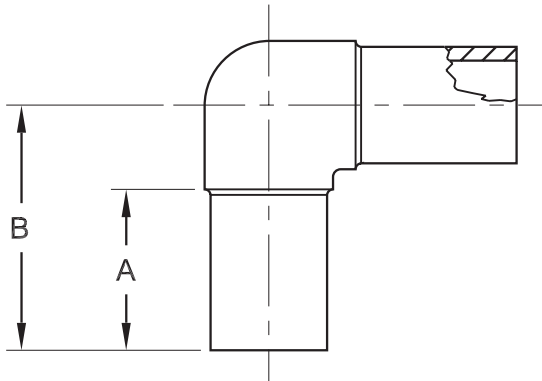
Size	SDR	Class	Part Number	Package Quantity	Weight
4"	DR 11	150	10004089	10	2.900
6"	DR 11	150	10004096	2	7.090
8"	DR 11	150	10004104	2	20.928
10"	DR 11	150	10004071	1	40.760
12"	DR 11	150	10004079	1	64.000
4"	DR 9	200	10004093	10	2.800
6"	DR 9	200	10004102	2	7.135
8"	DR 9	200	10004108	2	21.500
10"	DR 9	200	10004075	1	47.500
12"	DR 9	200	10004084	1	74.000

Call for availability of other sizes and dimensions.

Factory Mutual: 90° Butt Elbow



APPROVED



90° ELBOW DIMENSIONS

Nominal Size	A	B
4" IPS	3.00	5.75
6" IPS	4.38	9.00
8" IPS	6.00	12.00
10" IPS	6.00	13.25
12" IPS	7.50	15.88

Factory Mutual IPS 90° Butt Elbow

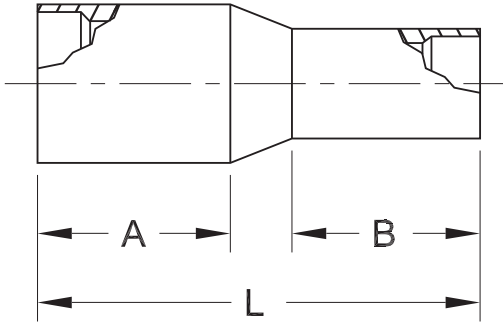
Size	SDR	Class	Part Number	Package Quantity	Weight
4"	DR 11	150	10004135	10	3.085
6"	DR 11	150	10004141	2	9.760
8"	DR 11	150	10004151	2	21.398
10"	DR 11	150	10004117	1	37.500
12"	DR 11	150	10004125	1	54.000
4"	DR 9	200	10004138	10	3.367
6"	DR 9	200	10004147	2	9.750
8"	DR 9	200	10004156	2	22.000
10"	DR 9	200	10004122	1	43.500
12"	DR 9	200	10004129	1	68.000

Call for availability of other sizes and dimensions.

Factory Mutual: Butt Reducer



APPROVED



BUTT REDUCER DIMENSIONS

Nominal Size	A	B	L
6" x 4"	4.22	3.75	9.13
8" x 6"	4.95	4.69	10.84
10" x 8"	6.00	6.00	16.00
12" x 10"	6.00	6.00	16.00

Factory Mutual IPS Butt Reducer

Size	SDR	Class	Part Number	Package Quantity	Weight
6" x 4"	DR 11	150	10004217	5	3.220
8" x 6"	DR 11	150	10004223	6	5.575
10" x 8"	DR 11	150	10007441	1	16.500
12" x 10"	DR 11	150	10007446	5	25.380
6" x 4"	DR 11	200	10004222	1	3.61
8" x 6"	DR 9	200	10004228	1	7.74
10" x 8"	DR 9	200	10002517	1	28.000
12" x 10"	DR 9	200	10002518	1	29.620

Call for availability of other sizes and dimensions.

Factory Mutual: Butt Cap

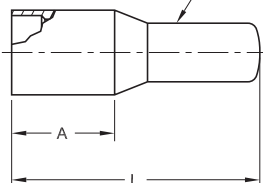


Style 2 shown here.

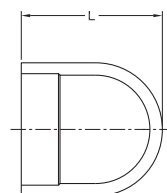


Note: This end not machined to a nominal pipe diameter unless requested.

Style 2
4"-8"



Style 3
10"-12"



STYLE 2 END CAP DIMENSIONS

Nominal Size	A	B	L
4" IPS	3.00	*	7.75
8" IPS	5.14	*	12.41

STYLE 3 END CAP DIMENSIONS

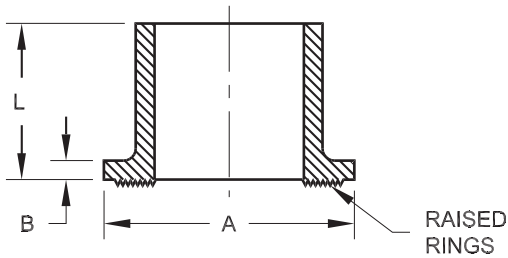
Nominal Size	A	B	L
10" IPS	*	*	11.38
10" IPS	*	*	11.38
12" IPS	*	*	13.88
12" IPS	*	*	13.88

Factory Mutual IPS Butt Cap

Size	SDR	Class	Part Number	Package Quantity	Weight
4"	DR 11	150	10004169	10	1.400
6"	DR 11	150	10004176	5	3.740
8"	DR 11	150	10004181	6	7.460
10"	DR 11	150	10004160	1	12.000
12"	DR 11	150	10004162	1	2.5
4"	DR 9	200	10004174	10	2.5
6"	DR 9	200	10004180	5	4.79
8"	DR 9	200	10004185	6	8.62
10"	DR 9	200	Call	-	-
12"	DR 9	200	Call	-	-

Call for availability of other sizes and dimensions.

Factory Mutual: Class 150 Flange Adapter



CLASS 150 & CLASS 200 FLANGE ADAPTER DIMENSIONS

Nominal Size	A	B	L
4" IPS	6.00	.54	6.00
6" IPS	8.50	0.78	8.00
8" IPS	10.63	1.00	11.00
10" IPS	12.75	1.28	12.00
12" IPS	15.00	1.54	12.00
14" IPS	17.50	1.50	12.00
16" IPS	20.00	1.75	12.00
18" IPS	21.38	1.88	12.00
20" IPS	23.47	2.27	12.00
24" IPS	27.85	2.82	12.00

Call for availability of other sizes and dimensions.

Factory Mutual
(FM) Products

Factory Mutual IPS Flange Adapter

Size	SDR	Class	Part Number	Package Quantity	Weight
4"	DR 11	150	10004449	4	1.48
6"	DR 11	150	10004464	2	4.50
8"	DR 11	150	10004480	2	8.82
10"	DR 11	150	10004326	2	16.10
12"	DR 11	150	10004343	1	22.30
14"	DR 11	150	10004354	1	29.70
16"	DR 11	150	10004370	1	39.4
18"	DR 11	150	10004381	1	49.41
20"	DR 11	150	10004405	1	61.62
24"	DR 11	150	10004429	1	91.3

Factory Mutual: Class 200 Flange Adapter

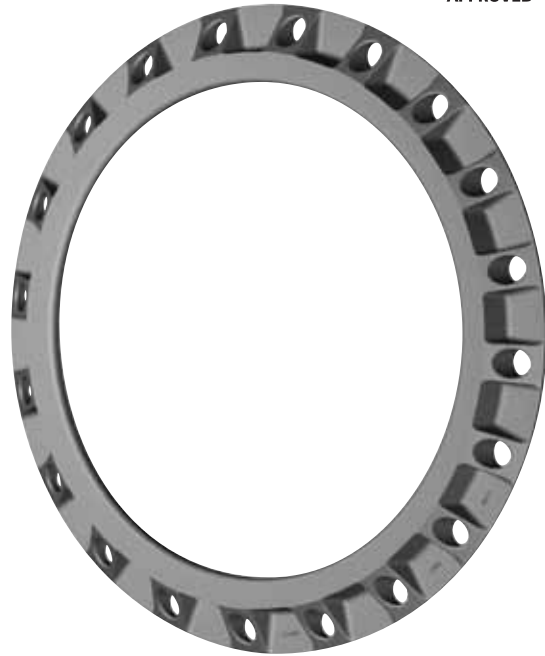
Factory Mutual IPS Flange Adapter

Size	SDR	Class	Part Number	Package Quantity	Weight
4"	DR 9 / 9.3	200	10004456	4	1.81
6"	DR 9 / 9.3	200	10004474	2	4.95
8"	DR 9	200	10004491	2	9.04
10"	DR 9	200	10004337	2	15.00
12"	DR 9	200	10004351	1	26.20
14"	DR 9	200	10004363	1	36.01
16"	DR 9	200	10004380	1	38.13
18"	DR 9	200	10004391	1	48.00
20"	DR 9	200	10004414	1	45.00
24"	DR 9	200	10004438	1	61.00

Factory Mutual: IPS Back Up Rings



APPROVED



Factory Mutual
(FM) Products

Factory Mutual IPS Back Up Rings

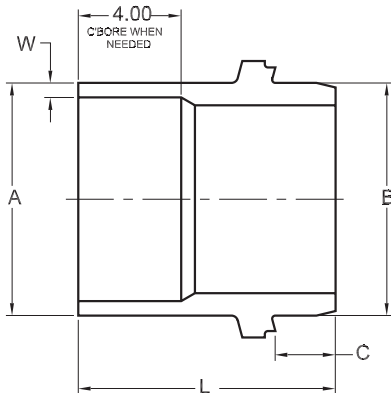
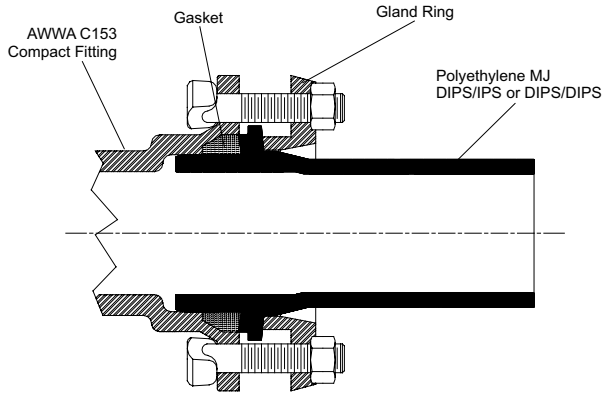
Size	Class	Part Number	Package Quantity	Weight
4"	200	6975043	1	4.000
6"	200	6975045	1	6.000
8"	200	6975046	1	7.000
10"	200	6975047	1	12.000
12"	200	6975048	1	17.000
14"	150	6975049	1	26.000
16"	150	6975050	1	36.000
18"	150	6975051	1	37.000
20"	150	6975052	1	46.000
24"	150	6975054	1	62.000

Call for availability of other sizes and dimensions.

Factory Mutual: IPS MJ Adapter



APPROVED



MJ ADAPTER DIMENSIONS					
Nominal	A	B	C	L	W
4" IPS	4.500	4.800	2.34	10.25	DR 9 to 17
6" IPS	6.625	6.900	2.34	11.31	DR 9 to 17
8" IPS	8.625	9.050	2.34	11.94	DR 9 to 17
10" IPS	10.750	11.100	2.34	13.56	DR 9 to 17
12" IPS	12.750	13.200	2.00	13.00	DR 9 to 17
14" IPS	14.000	15.300	1.34	13.00	DR 9 to 17
16" IPS	16.000	17.400	1.34	13.00	DR 9 to 17
18" IPS	18.000	19.500	1.34	13.00	DR 9 to 17
20" IPS	20.000	21.600	3.34	16.00	DR 9 to 17
24" IPS	24.000	25.800	3.34	18.00	DR 9 to 17

Call for availability and pricing of Factory Mutual approved MJ adapter kits.

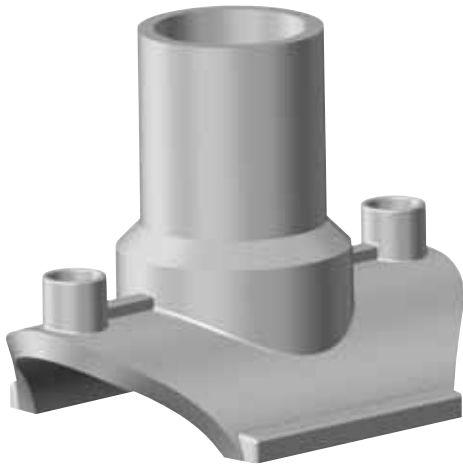
Factory Mutual IPS MJ Adapter

Size	SDR	Class	Part Number	Package Quantity	Weight
3"	DR 11	150	Call	-	-
4"	DR 11	150	6970400	1	3.24
6"	DR 11	150	6970402	1	6.64
8"	DR 11	150	6970404	1	10.53
10"	DR 11	150	6970406	1	21.60
12"	DR 11	150	10005233	1	27.87
14"	DR 11	150	Call	-	-
16"	DR 11	150	Call	-	-
18"	DR 11	150	Call	-	-
20"	DR 11	150	Call	-	-
24"	DR 11	150	Call	-	-
3"	DR 9	200	Call	-	-
4"	DR 9	200	6970401	1	3.010
6"	DR 9	200	6970403	1	7.61
8"	DR 9	200	6970405	1	10.53
10"	DR 9	200	10001979	1	16.00
12"	DR 9	200	10005241	1	29.00
14"	DR 9	200	Call	-	-
16"	DR 9	200	Call	-	-
18"	DR 9	200	Call	-	-
20"	DR 9	200	Call	-	-
24"	DR 9	200	Call	-	-

Factory Mutual: Electrofusion Branch Saddle



APPROVED

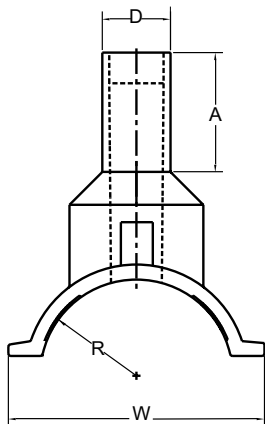


BRANCH SADDLE DIMENSIONS: 2" OUTLET

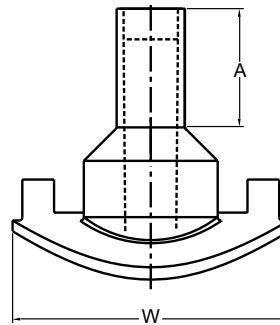
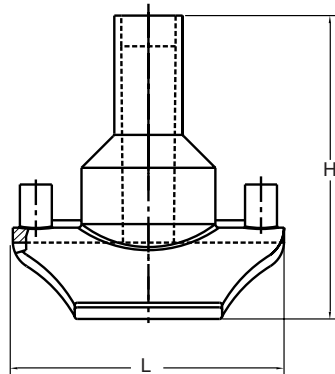
Nominal Base Size	R	A	D	H	W	L
4" IPS	2.250	3.28	2.375	7.27	6.26	6.62
6" IPS	3.312	3.28	2.375	8.43	8.68	6.62
8" IPS	4.312	3.28	2.375	5.29	6.75	*
10" IPS	5.375	3.28	2.375	5.53	6.75	*
12" IPS	6.375	3.28	2.375	5.70	6.75	*

BRANCH SADDLE DIMENSIONS: 4" OUTLET

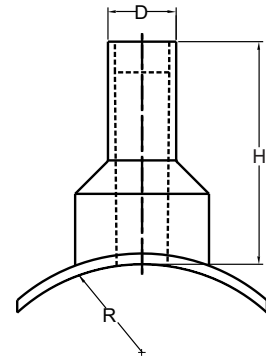
Nominal Base Size	R	A	D	H	W	L
4" IPS	2.920	3.85	4.500	6.00	7.00	8.38



4" IPS-6" IPS



8" IPS

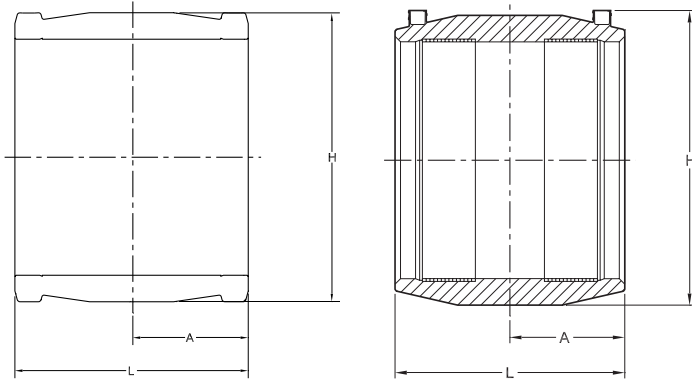


Factory Mutual IPS Electrofusion Branch Saddle

Size	Class	Part Number	Package Quantity	Weight
4" x 2"	150	10004533	30	1.080
6" x 2"	150	10004544	30	1.275
8" x 2"	150	10007712	30	0.925
4" x 4"	150	10004528	8	2.1
6" x 4"	150	10004538	8	3.72
4" x 2"	200	Call	-	-
6" x 2"	200	Call	-	-
8" x 2"	200	Call	-	-
4" x 4"	200	Call	-	-
6" x 4"	200	10004540	8	3.97

Factory Mutual
(FM) Products

Factory Mutual: Electrofusion Coupling



Factory Mutual (FM) Products

Factory Mutual IPS Electrofusion Coupling

Size	Class	Part Number	Box	Weight
4"	200	10000360	10	1.67
6"	200	10000359	8	4.36
8"	200	10000361	4	8.45
10"	200	10000362	1	15.24
12"	200	10000363	1	23.9
14"	200	10000202	1	35.19
16"	200	10000204	1	47.1
18"	200	10000207	1	65.60
20"	200	10000210	1	91.00
24"	200	10000216	1	176.00

EF COUPLING DIMENSIONS

Nominal Size	H	L	A
4" IPS	6.51	6.14	3.00
6" IPS	8.70	8.35	4.10
8" IPS	11.20	9.48	4.70
10" IPS	13.41	10.50	5.00
12" IPS	15.84	11.50	5.50
14" IPS	17.24	12.13	6.06
16" IPS	19.65	13.54	6.77
18" IPS	22.13	14.96	7.48
20" IPS	24.57	16.46	8.23
24" IPS	30.59	19.50	9.75

Call for availability of other sizes and dimensions.

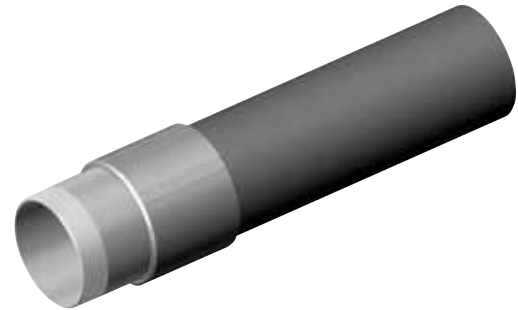
Factory Mutual: Thread End Transition Fittings



Protective sleeves are available on request.

Please call for sizes and prices.

Call for availability of other sizes and dimensions.



Factory Mutual Thread End Transition

Size	SDR	Class	Part Number	Standard Pack Box/Pallet	Weight
4" NPT × 4" IPS	DR 11	150	call	4/120	11.670
4" NPT × 4" IPS	DR 9	200	call	-	-
6" NPT × 6" IPS	DR 11	150	call	1/24	35.750
6" NPT × 6" IPS	DR 9	200	call	-	-

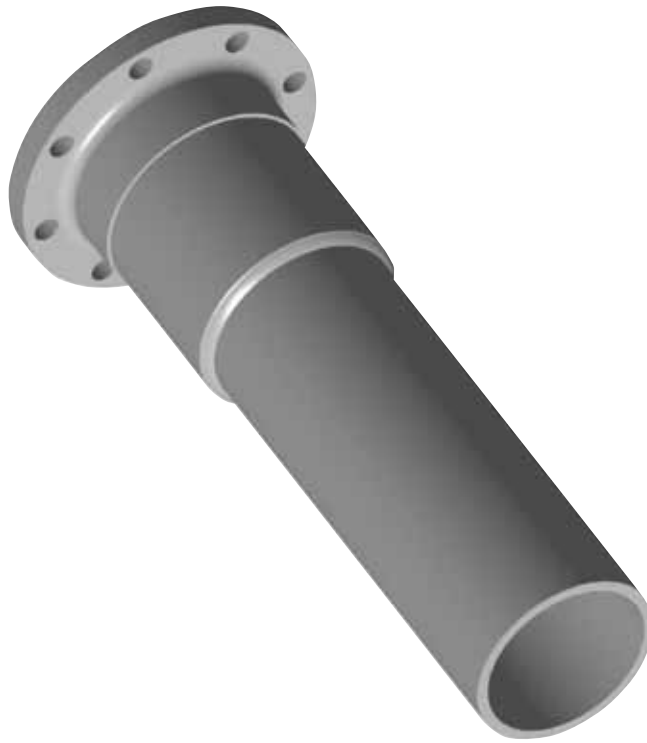
Factory Mutual: Weld End Transition Fittings



Factory Mutual Weld End Transition Fittings

Size	SDR	Class	Part Number	Standard Pack Box/Pallet	Weight
4" IPS × 4" IPS	DR 11	150	call	4/48	18.800
4" IPS × 4" IPS	DR 9	200	call	-	-
6" IPS × 6" IPS	DR 11	150	call	1/24	46.362
6" IPS × 6" IPS	DR 9	200	call	-	-
8" IPS × 8" IPS	DR 11	150	call	1/9	93.800
8" IPS × 8" IPS	DR 9	200	call	-	-
10" IPS × 10" IPS	DR 11	150	call	1/3	-
10" IPS × 10" IPS	DR 9	200	call	-	-
12" IPS × 12" IPS	DR 11	150	call	1/2	241.600
12" IPS × 12" IPS	DR 9	200	call	-	-
16" IPS × 16" IPS	DR 11	150	call	-	-
16" IPS × 16" IPS	DR 9	200	call	-	-

Factory Mutual: Flanged Transition Fittings



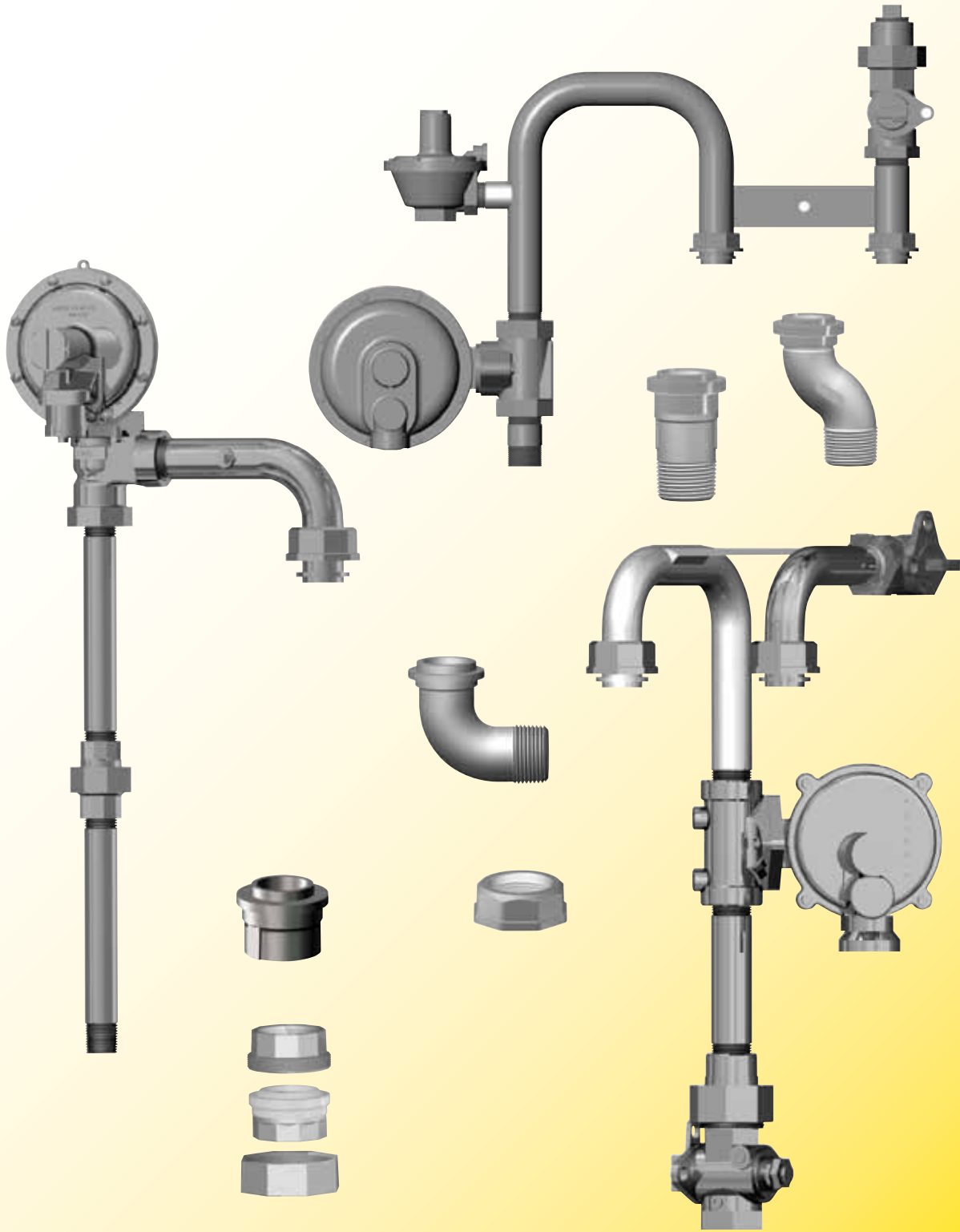
Factory Mutual
(FM) Products

Factory Mutual Flanged Transition Fittings

Size	SDR	Class	Part Number	Standard Pack Box/Pallet	Weight
4" IPS x 4" IPS	DR 11	150	call	1 / 12	21.50
4" IPS x 4" IPS	DR 9	200	call	-	-
6" IPS x 6" IPS	DR 11	150	call	1 / 12	49.00
6" IPS x 6" IPS	DR 9	200	call	-	-
8" IPS x 8" IPS	DR 11	150	call	1 / 9	94.00
8" IPS x 8" IPS	DR 9	200	call	-	-
10" IPS x 10" IPS	DR 11	150	call	1 / 4	163.00
10" IPS x 10" IPS	DR 9	200	call	-	-
12" IPS x 12" IPS	DR 11	150	call	1 / 2	228.50
12" IPS x 12" IPS	DR 9	200	call	-	-

Protective sleeves are available on request.
Please call for sizes and prices.
Call for availability of other sizes and dimensions.

Meter Swivels
Insulated Unions
Meter Sets
Meter Accessories



Meter Connection Products

The Right Connection

+GF+

1-800-654-3872
1-405-273-6302

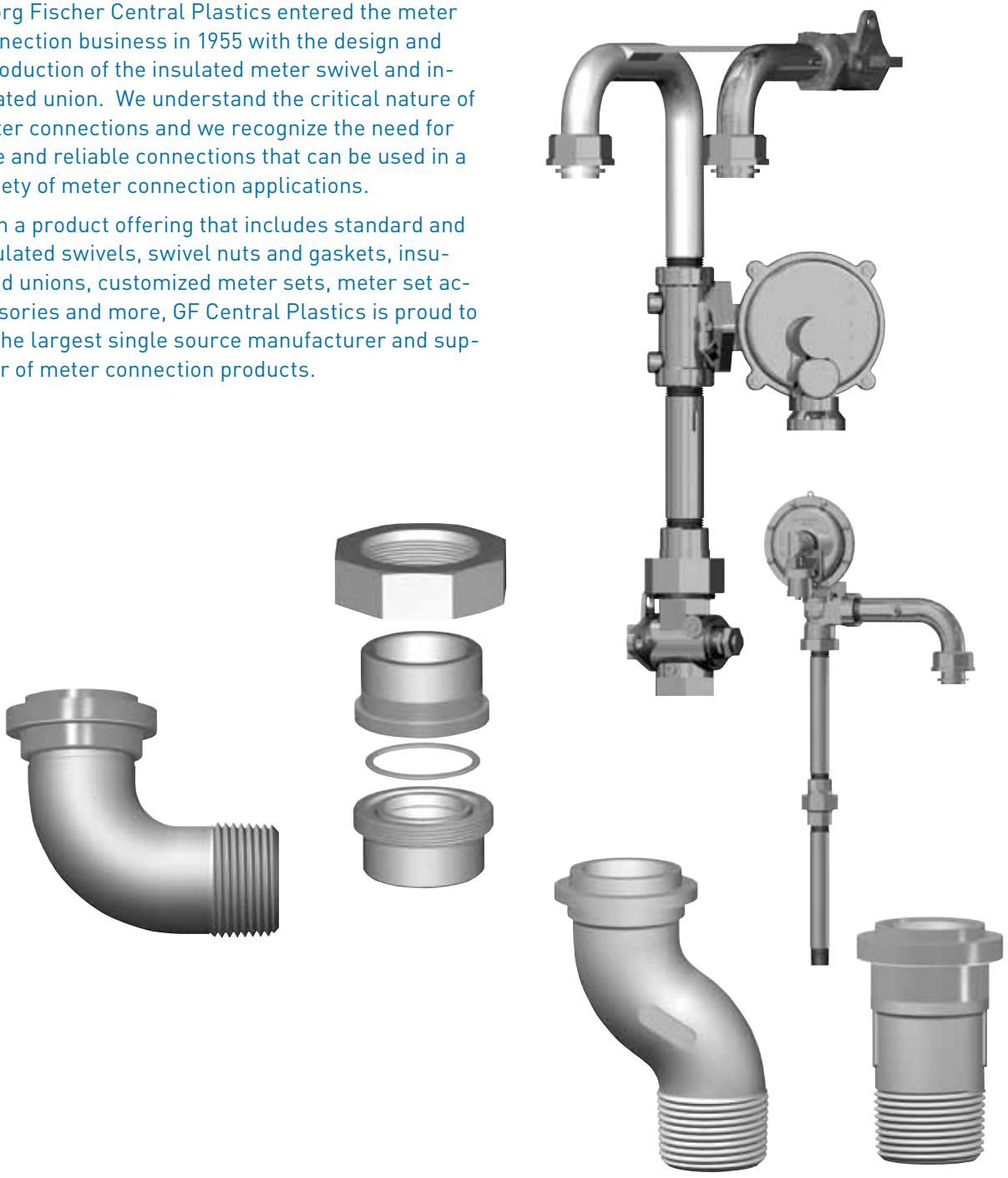
www.centralplastics.com



Meter Connection Products: Overview

Georg Fischer Central Plastics entered the meter connection business in 1955 with the design and introduction of the insulated meter swivel and insulated union. We understand the critical nature of meter connections and we recognize the need for safe and reliable connections that can be used in a variety of meter connection applications.

With a product offering that includes standard and insulated swivels, swivel nuts and gaskets, insulated unions, customized meter sets, meter set accessories and more, GF Central Plastics is proud to be the largest single source manufacturer and supplier of meter connection products.



Meter Connection Products

Meter Connection Products: Meter Swivels

Standard, Insulated, Nuts and Gaskets

Prior to 1955, there was little a gas company could do to isolate their gas meters from the destructive effects of electrolytic and galvanic corrosion. In 1955, Georg Fischer Central Plastics developed and introduced the first meter isolation solution – the insulated meter swivel. Today, the insulated meter swivel is used in over 90% of natural gas service systems throughout North America.

GF Central's meter swivels are manufactured for all types of gas meters and are interchangeable with standard connections, accepting standard meter nuts. Our meter swivels are available in a wide variety of styles and configurations that include: offset, straight, elbows, galvanized, black, insulated, non-insulated, male and female. All of GF Central's meter swivel parts are manufactured from malleable iron under strict quality guidelines in an ISO environment, where every product is monitored throughout the manufacturing process to ensure engineering criteria are maintained.

Georg Fischer Central's time-proven insulated meter swivels continue to be the most popular way to insulate gas meters worldwide. GF Central's insulation material covers the pilot, flange and externally extends up the body. The insulation is molded in place, which means there are no loose parts. This greatly simplifies assembly and eliminates the possibility of short-circuit caused by moisture. The pigmented insulation is unaffected by ultraviolet rays,



has high dielectric strength and is bonded to the metal with a weatherproof adhesive. A metal ring is installed on each swivel, serving as a bearing surface for the nut and preventing damage to the nylon.

Features

- Available in insulated and standard
- Available configurations - Straight, Offset, Female, Male and 90°
- Available sizes: 10Lt.-100Lt., 1A-5A, #2-#5
- Nuts
- Gaskets

Meter Swivels: Straight Insulated

Complies with ASTM A197, ANSI B1.20.1 and ANSI B109.1

- Available in Black Malleable Iron (BMI)
- Available in Galvanized Malleable Iron (GMI)



INSULATED STRAIGHT SWIVELS

Size	MPT Dia.	Length	BMI Part Number	Wt.	GMI Part Number	Wt.	Box Qty.
10LT	¾"	2.31"	0081002	.25	0081003	.26	150
20LT	1"	2.75"	0081000	.45	0081001	.45	80
30LT	1¼"	2.91"	0081008	.57	0081009	.56	60
45LT	1½"	2.94"	0081018	.63	0081019	.66	50
100LT	2"	3.75"	0081016	1.43	0081017	1.47	15
20-10LT	¾"	2.38"	0081012	.31	0081013	.32	100
30-20LT	1"	2.84"	0081010	.45	0081011	.48	50
45-30LT	1¼"	2.88"	0081014	.91	0081015	.96	35
1A	¾"	2.38"	0081004	.30	0081005	.31	120
1A	1"	2.41"	0081026	.39	0081027	.41	100
# 4	1½"	3.06"	call	n/a	012331501302	.87	45

Meter Swivels: Straight Non-Insulated

Complies with ASTM A197, ANSI B1.20.1 and ANSI B109.1

- Available in Black Malleable Iron (BMI)
- Available in Galvanized Malleable Iron (GMI)



NON-INSULATED STRAIGHT SWIVELS

Size	MPT Dia.	Length	BMI Part Number	Wt.	GMI Part Number	Wt.	Box Qty.
10LT	¾"	2.31"	0150078	.26	0150079	.27	150
20LT	1"	2.75"	0150072	.47	0150073	.47	90
30LT	1¼"	2.91"	0150092	.58	0150093	.60	50
45LT	1½"	2.94"	0150094	.48	0150095	.49	45
100LT	2"	3.75"	0150104	1.43	0150105	1.44	20
20-10LT	¾"	2.38"	0150100	.32	0150101	.38	100
30-20LT	1"	2.84"	0150102	.49	0150103	.49	70
45-30LT	1¼"	2.88"	0080028	.93	0080029	.94	35
1A	¾"	2.38"	0170022	.31	0170023	.33	120
1A	1"	2.41"	0170020	.41	0170021	.41	100
# 2	1¼"	3.12"	017221200304	.61	call	n/a	50
# 4	1½"	3.06"	10001802	.89	017331501302	.87	40

For sizes not listed, call for availability.

Meter Swivels: Female Insulated

Complies with ASTM A197, ANSI B1.20.1 and ANSI B109.1



INSULATED FEMALE SWIVELS

Size	FPT Dia.	Length	BMI Part Number	Wt.	GMI Part Number	Wt.	Box Qty.
1A	3/4"	1.12"	call	n/a	0120004	.15	200

Meter Swivels: Non-Insulated Female Swivels

Complies with ASTM A197, ANSI B1.20.1 and ANSI B109.1

- Available in Black Malleable Iron (BMI)
- Available in Galvanized Malleable Iron (GMI)
- **Available Zinc Plated with yellow Dichromate



NON-INSULATED FEMALE SWIVELS

Size	FPT Dia.	Length	BMI Part Number	Wt.	GMI Part Number	Wt.	Box Qty.
45LT	1 1/4"	1.44"	call	N/A	0080035**	.42	50
1A	3/4"	1.12"	0170026	1.60	0170027	.16	250
# 3	1 1/4"	1.25"	call	N/A	call**	.46	50
5 A	2"	2.00"	10003334	1.26	10003335	1.31	25

For sizes not listed, call for availability.

**Carbon Steel with Zinc Plate Yellow Dichromate

Meter Swivels: Offset Insulated

Complies with ASTM A197, ANSI B1.20.1 and ANSI B109.1

- Available in Black Malleable Iron (BMI)
- Available in Galvanized Malleable Iron (GMI)



For sizes not listed, call for availability.

INSULATED OFFSET SWIVELS

Size	MPT Dia.	Offset	Length	BMI Part Number	Wt.	GMI Part Number	Wt.	Box Qty.
10LT	3/4"	1/2"	2.31"	call	n/a	0081209	.22	150
10LT	3/4"	1"	3.12"	0081202	.39	0081203	.41	100
10LT	3/4"	3.94"	4.12"	0081214	.77	call	n/a	50
20LT	1"	1"	3.50"	0081200	.58	0081201	.60	60
30LT	1 1/4"	1"	3.75"	0081210	.71	0081211	.73	35
45LT	1 1/2"	1"	4.00"	0081264	1.06	0081265	1.10	35
10-5LT	1/2"	3"	4.00"	0081206	.56	0081207	.57	70
20-10LT	3/4"	1.62"	3.75"	0081212	.57	call	n/a	60
1A	1/2"	2.75"	3.31"	0081216	.52	0081217	.527	60
1A	3/4"	1"	2.69"	0081204	.31	0081205	.34	135

Meter Swivels: Offset Non-Insulated

Complies with ASTM A197, ANSI B1.20.1 and ANSI B109.1

- Available in Black Malleable Iron (BMI)
- Available in Galvanized Malleable Iron (GMI)



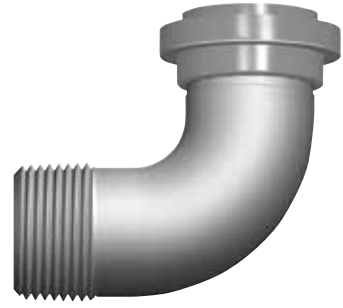
NON-INSULATED OFFSET SWIVELS

Size	MPT Dia.	Offset	Length	BMI Part Number	Wt.	GMI Part Number	Wt.	Box Qty.
10LT	3/4"	1/2"	2.31"	0150082	.27	0150083	.29	150
10LT	3/4"	1"	3.12"	0150080	.40	0150081	.50	100
10LT	3/4"	3.94"	4.13"	0150098	.86	call	.88	45
20LT	1"	1"	3.5"	0150074	.68	0150075	.76	60
30LT	1 1/4"	1"	3.75"	0150084	.75	0150085	.77	40
45LT	1 1/2"	1"	4"	0150096	1.06	0150097	1.12	30
60LT	1 1/2"	1"	5.38"	0080230	1.25	10003755	1.31	15
10-5LT	1/2"	3"	4"	0150090	.59	0150091	.67	70
20-10LT	3/4"	1/2"	2.75"	0150088	.45	0150089	.46	75
20-10LT	3/4"	1.62"	3.75"	10003330	.63	call	n/a	60
20-10LT	3/4"	3.62"	3.5"	0150041	.74	call	n/a	50
30-20LT	1"	1"	2.84"	10003134	.48	10003135	.50	75
1A	1/2"	2.75"	3.31"	0170018	.54	0170019	.56	70
1A	3/4"	1"	2.69"	0170024	.35	0170025	.37	100

Meter Swivels: Insulated Elbows

Complies with ASTM A197, ANSI B1.20.1 and ANSI B109.1

- Available in Black Malleable Iron (BMI)
- Available in Galvanized Malleable Iron (GMI)



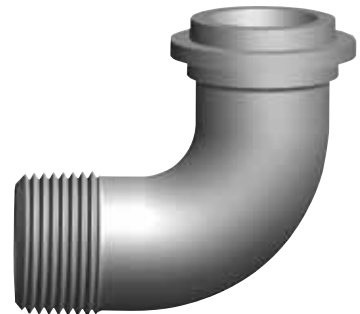
INSULATED 90° ELBOWS

Size	MPT .	Length	BMI Part Number	Wt.	GMI Part Number	Wt.	Box Qty.
20LT	1"	2.22"	call	n/a	01020013100	.59	70

Meter Swivels: Non-Insulated Elbows

Complies with ASTM A197, ANSI B1.20.1 and ANSI B109.1

- Available in Black Malleable Iron (BMI)
- Available in Galvanized Malleable Iron (GMI)



NON-INSULATED 90° ELBOWS

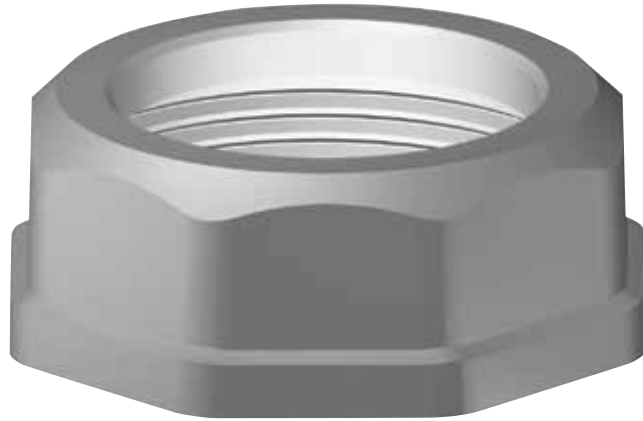
Size	MPT Dia.	Length	BMI Part Number	Wt.	GMI Part Number	Wt.	Box Qty.
10LT	¾"	2.03"	0150076	.35	call	.37	100
20LT	1"	2.22"	0150112	.58	0150113	.60	50

For sizes not listed, call for availability.

Meters Swivels: Nuts

Complies with ASTM A197, ANSI B1.20.1 and ANSI B109.1

- Available in Black Malleable Iron (BMI)
- Available in Galvanized Malleable Iron (GMI)



Meter Connection Products

SWIVEL NUTS

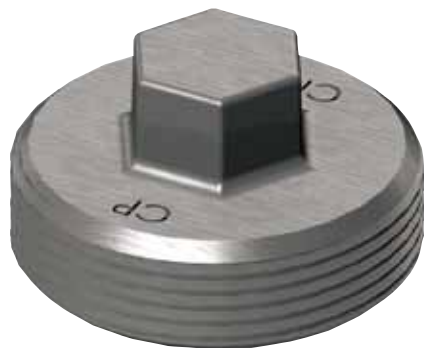
Size	BMI Part Number	Wt.	GMI Part Number	Wt.	Box Qty.
10LT	0150066	.14	0150067	.16	250
20LT	0150068	.24	0150069	.25	150
30LT	0150070	.30	0150071	.31	90
45LT	0150086	.43	0150087	.45	60
60LT	0070016	.48	call	n/a	75
100LT	0100068	1.14	0100069	1.19	30
1A	0170016	.20	0170017	.25	150
#3 (#4)	012SN1150000	.67	012SN1151000	.68	60
5A	call	n/a	0170007	1.62	25
1 1/4"	0160063	.22	0160064	.22	150

For sizes not listed, call for availability.

Meters Swivels: Nut Plug

Complies with ASTM A197, ANSI B1.1 and ANSI B109.1

- Available in Black Malleable Iron (BMI)
- Current Sizes available: 10LT,1A, 20LT, 30LT, 45LT



Meters Swivels: Connection Blind

Complies with ANSI B109.1

- Available in tinned steel
- Current sizes available: 10LT, 1A, 20LT, 30LT, 45LT, and 100LT



Meter Swivels: Gaskets

Complies with ASTM D2000



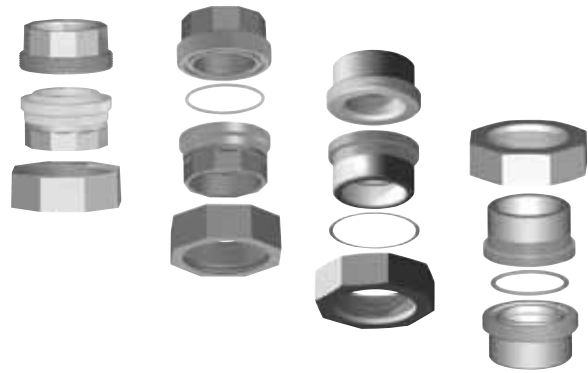
SWIVEL GASKETS(.100 THICK NEOPRENE)

Size	Part Number	Wt.	Bag Qty.
5LT	10003074	.02"	100
10LT	10003075	.02"	100
20LT	10003076	.02"	100
30LT	10003077	.02"	100
45LT	10003078	.02"	100
60LT	10003079	.02"	100
100LT	10003080	.02"	100
1A (#1)	10003081	.02"	100
#2	10003082	.02"	100
#3 (#4)	10003083	.02"	100
5A (#5)	10003084	.02"	100

For sizes not listed, call for availability.

Meter Connection Products: Insulating Unions

The first of its kind, our insulated union incorporates a permanently molded and bonded material that allows the union to act as an interruption point in the metallic or conductive path between a pipeline and its associated plant and/or equipment while still providing a serviceable connection. Still recognized as an industry standard, Georg Fischer Central Plastics continues to offer ground-joint and o-ring type insulating unions as well as non-insulated unions.



Features: 150# and 3000# O-Ring Flat Faced Type Insulating Unions

- Confined O-Ring Seal – Allows union to be reused. Little torque required to make gas tight seal, yet permits extremely high compression.
- Brass Ring on 3000# Union serves as a bearing surface for the nut, eliminating undue wear or binding on nylon insulation when making-up.
- 150# Nut and Body made of high-test malleable iron conforming to ASTM A197
- 3000# Nut and Body made of forged steel conforming to ASTM A105
- Extra Heavy Shoulder – On tail piece, increases strength to withstand pipe strains, vibrations, misaligned connections and wrench abuse.
- Integral One-Piece Construction – Insulation is molded to metal body. No loose parts to assemble, or lose during field installation.
- Precision Threading – Tight tolerances achieved by expert machining. Meets ANSI B1.1 and B1.20.1
- Available octagon nut.
- Hammer lug available on request

Features: 150# and 3000# Ground Joint Insulating Unions

- Ground Joint – Extra-wide seating surface
- Precise Mating Tapers – High compression, gas-tight seal that will not loosen under strain or vibration.
- 150# Nut and Body made of high-test malleable iron and conforms to ASTM A197
- 3000# Nut and Body made of forged steel conforming to ASTM A105
- Extra Heavy Shoulder – On swivel end and nut, increases strength to withstand pipe strains, vibration, misaligned connections and wrench abuse.
- Integral One-Piece Construction – Insulation is molded to metal body. No loose parts to assemble, or lose during field installation.
- Precision Threading – Tight tolerances achieved by expert machining. Meets ANSI B1.1 and B1.20.1.
- Molded Nylon – Able to withstand extreme shock loads and impact without fracturing. Chemically unaffected by most substances including gas, water, ammonia, petroleum oils and greases at temperatures as high as 250°F. Additional protection against shorts caused by bridging of foreign material provided by a return of nylon on the internal surface. Dielectric strength far beyond the toughest requirements.

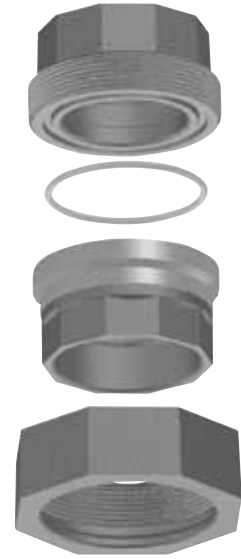
Insulated Unions: 150# “O” Ring Style

Flat faced type, 150 Class 300 CWP working pressure. Complies with ASTM A197: ANSI B1.20.1.

- Stops Galvanic and Electrolytic Corrosion of Mains and Services.
- Permanent Economical Protection
- Protects against stray or induced currents

150# “O” RING STYLE UNIONS

Size	BMI Part Number	Special Features	Weight	GMI Part Number	Weight	Box Qty.
¾"	1005116		.61	1005117	.63	50
¾"	1005130	Orange Nut	.61	call	n/a	50
1"	1005118		.86	1005119	.88	50
1"	10003110	Orange Nut	.86	call	n/a	50
1¼"	1005120		1.53	1005121	1.53	20
1¼"	1005140	Orange Nut	1.53	call	n/a	20
1½"	1005124		1.76	1005125	1.77	20
1½"	10003111	Orange Nut	1.76	call	n/a	20
2"	1005122		2.72	1005123	2.76	10
2"	1000016	Orange Nut	2.72	call	n/a	10



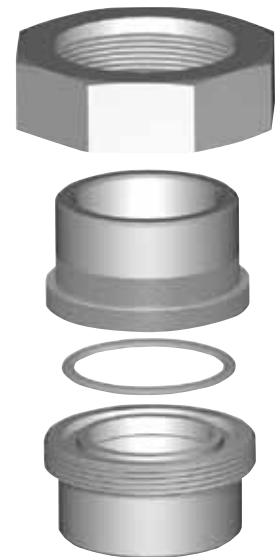
Insulated Unions: 3000# Forged Steel “O” Ring Style

Flat faced type, 3000 lb. working pressure

Complies with ASTM A105 material specification and ANSI B1.20.1

3000# FORGED STEEL “O” RING STYLE UNIONS

Size	Part Number	Weight	Box Qty.
¼"	108141499001	.36	100
½"	108505010000	.72	50
¾"	108757510000	1.12	30
1"	108010110000	1.62	20
1¼"	108121210000	2.52	10
1½"	108151510000	3.40	5
2"	108020210000	5.36	5
2½"	108252510000	9.69	2
3"	108030310000	13.48	2



For sizes not listed, call for availability.

Insulated Unions: 150# Ground Joint

150-Class, 300 lb. cold working pressure

Insulated products for cathodic protection: Complies with ASTM A197 and ANSI B1.20.1.

150# GROUND JOINT UNIONS

Size	BMI Part Number	Weight	GMI Part Number	Weight	Box Qty.
1/2"	10003374	.43	call	n/a	75
3/4"	1005100	.61	1005101	.64	50
1"	1005102	.84	1005103	.88	50
1 1/4"	1005104	1.50	1005105	1.50	20
1 1/2"	1005108	1.80	1005109	1.79	20
2"	1005106	2.64	1005107	2.70	10



Insulated Unions: 3000# Forged Steel Ground Joint

3000 lb. working pressure

Complies with ASTM A105 ANSI B1.20.1

3000# FORGED STEEL "GROUND JOINT" STYLE UNIONS

Size	Part Number	Wt.	Box Qty.
1/4"	108141400000	.34	100
3/8"	108383800000	.48	75
1/2"	108505000000	.72	50
3/4"	108757500000	1.12	30
1"	108010100000	1.66	20
1 1/4"	108121200000	2.54	10
1 1/2"	108151500000	3.48	5
2"	108020200000	5.41	5



For sizes not listed, call for availability.

Meter Connection Products: Meter Sets

Meter Sets

Georg Fischer Central Plastics is proud to offer a line of high performance, high quality gas meter products that are safe and economical. Our line of pre-fabricated meter sets, bends, loops, and components reflect over 50 years of common-sense engineering for the gas utility industry.

Our common-sense design replaces pipe fittings with formed pipe, thus replacing dangerous leaky joints with continuous pipe. Why mess with multiple parts, threaded joints, and long installation times when you can use **pre-fabricated parts that come built to your specifications.** Or order from our complete line of the most popular configurations of fully fabricated meter sets, meter frames, meter bends and components. The finished installation will not only take less time to assemble and be safer for the homeowner but will look more finished and professional.

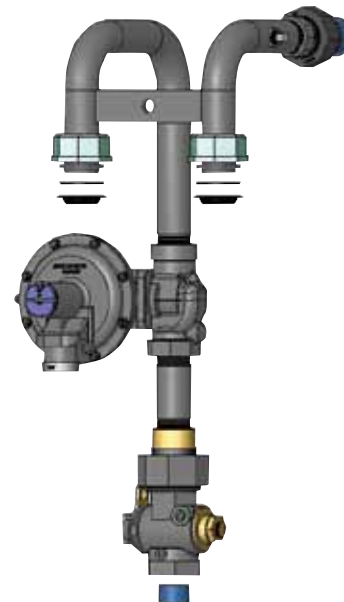
Features/Benefits

- Reduce on site labor cost. Meter setting installs in minutes.
- Fewer threaded joints eliminates risk of gas leaks, increasing safety of meter setting.
- Inventory control results from having to stock fewer meter setting parts and accessories.
- Several popular configuration available.
- State of the art coating capabilities coupled with the most advanced materials allow for years of corrosion protection.

Options

- Customized assemblies can be designed to meet your specific needs.
- Engineering capabilities to help develop and design a meter set that will fit your needs.
- Can be coupled with support brackets or support stakes.

All regulators, valves, and unions are per customer specification. Any configuration can be produced using our robotic welding system and automated assembly equipment. Systems can be customized using your specifications or can be designed by one of our in-house design engineers.



Meter Connection Products: Meter Sets

Technical Specifications

- Steel Piping / ASTM A53 or API 5L
- Threads / NPT ANSI B1.20.1
- Flange / Swivel Spec ANSI B109.1
- Welds / API 1104

Electrostatically Applied Fusion Bonded Epoxy and Fusion Bonded Polyester

- Fusion Bonded Polyester / Electrostatically Applied
- Cathodic Disbondment - ASTM A513 or A53
- Impact Resistance - ASTM G14
- Thickness / 2.0 to 5.0 mils
- Color / Meter Grey AGA #49
- Test / Salt Spray per ASTM B117

Testing and Compliance

All Georg Fischer Central Plastics Meter Sets meet or exceed the following applicable standards and are subjected to an extensive testing program to ensure consistent performance in the field that is safe, robust and reliable.

- DOT Code of Federal Regulations Title 49 Part 192
- Steel Gas Carrier - ASTM A53 /API5L
- Protective Coating

All parts are protected with an electrostatically applied fusion-bonded epoxy powder or polyester powder coating specifically designed for the exterior of gas petroleum pipelines.

- 8 Mil Minimum Thickness
- AGA 49 Grey
- Cathodic Disbondment Testing per ASTM G8
- Salt Spray Testing per ASTM B117
- Impact Resistance Testing per ASTM G14



Meter Connection Products: Loops, Bends and Manifolds

Georg Fischer Central Plastics offers the same quality and attention to manufacturing detail for our meter loops, bends, and manifolds as we do for our completely assembled meter sets. GF Central offers a complete line of meter bends allowing the flexibility of replacement. Sizes range from 1/2"-2" in threaded 90°, flanged 90°, 90° double loop, and 180° loops.



90° Bends



180° Loop



Double 90° Loop



90° Bends



Meter Connection Products

Meter Connection Products: Meter Set Accessories

Test Fittings

The Georg Fischer Central Plastics Test fitting is a compact machine welded gauge bar which provides an easy method for checking both the line integrity and meter set/ meter spud alignment all at one time. Our gauges are made of two threaded connectors with common center-lines used in today's industry.

The meter spud connector is available in 10 LT, 20 LT, 30 LT, 45 LT #1 Pitts and 1A. One side is constructed as a plug for sealing a line at the meter connection. The other offers a 1/4" Standard NPT entry port for a test gauge and a tank valve for the application of air pressure to pressurize the line for leak testing. The threaded connector with integral 1/4" NPT pipe plug and tank valve is also offered separately.



Meter Connection Products: Meter Set Accessories

Meter Adapters

Georg Fischer Central Plastics Adapters are designed to easily accommodate the most common variations of meter connections used in the gas industry.

Adapter Sizes:

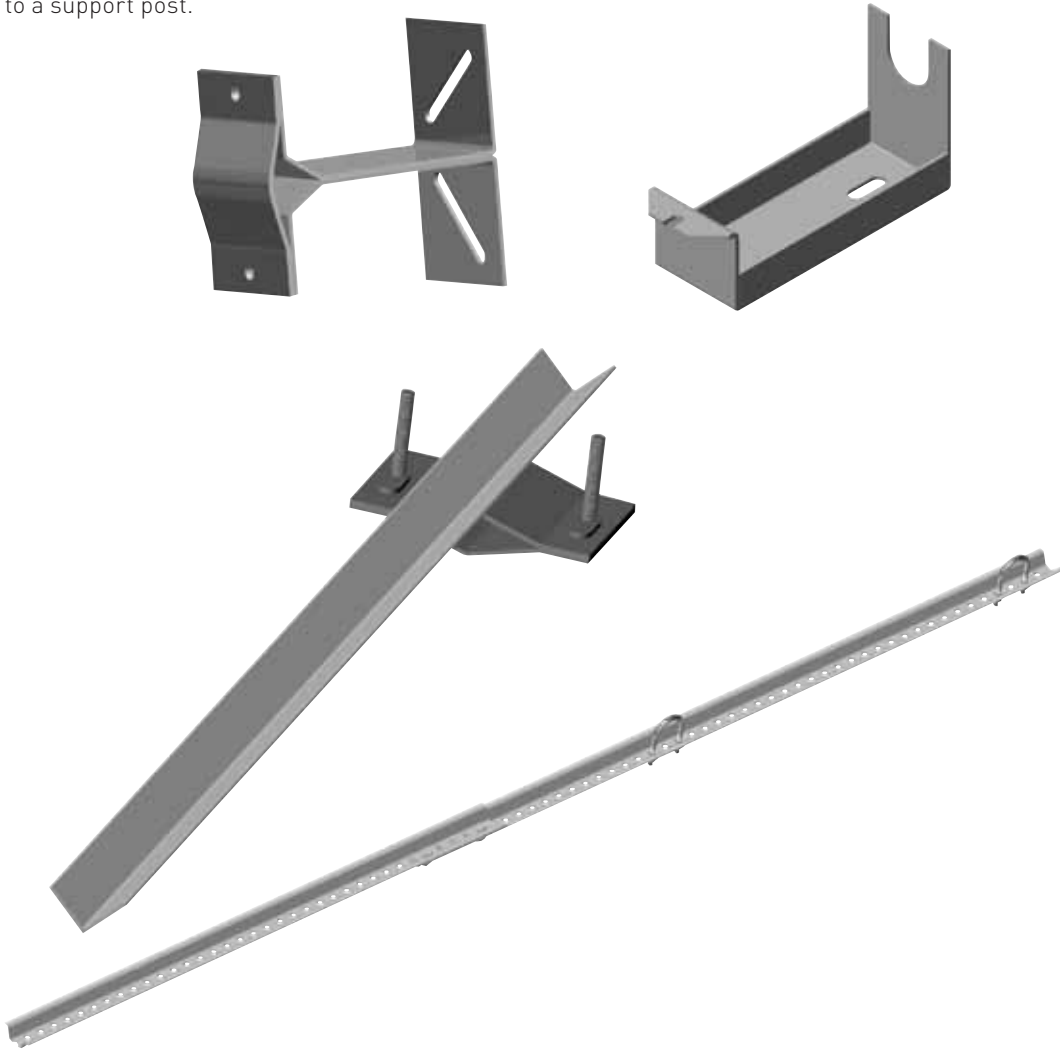
Male		Female
1A	to	10LT
20LT	to	1A
20LT	to	10LT
20LT	to	30LT
20LT	to	45LT



Meter Connection Products: Meter Set Accessories

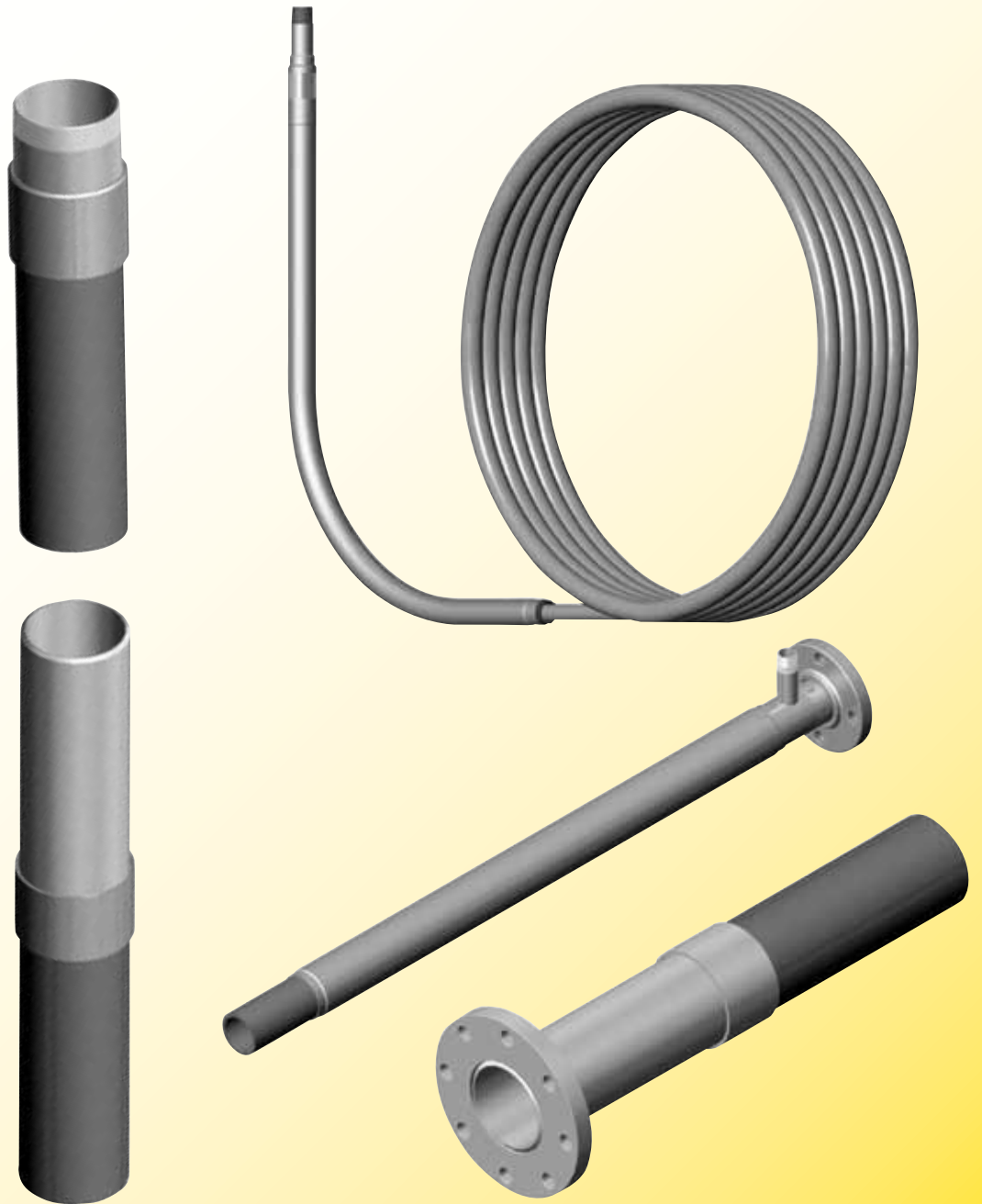
Meter Set Supports and Brackets

Georg Fischer Central Plastics offers rigid and adjustable wall brackets that are powder coated for exterior installations. Meter brackets may be bolted to the house or mounted to a support post.



Custom configurations can be furnished on request.

Anodeless Risers
Transition Risers
Compression Risers
Riser Accessories
Transition Fittings



Risers and Transitions

The Right Connection

+GF+

1-800-654-3872

1-405-273-6302

www.centralplastics.com

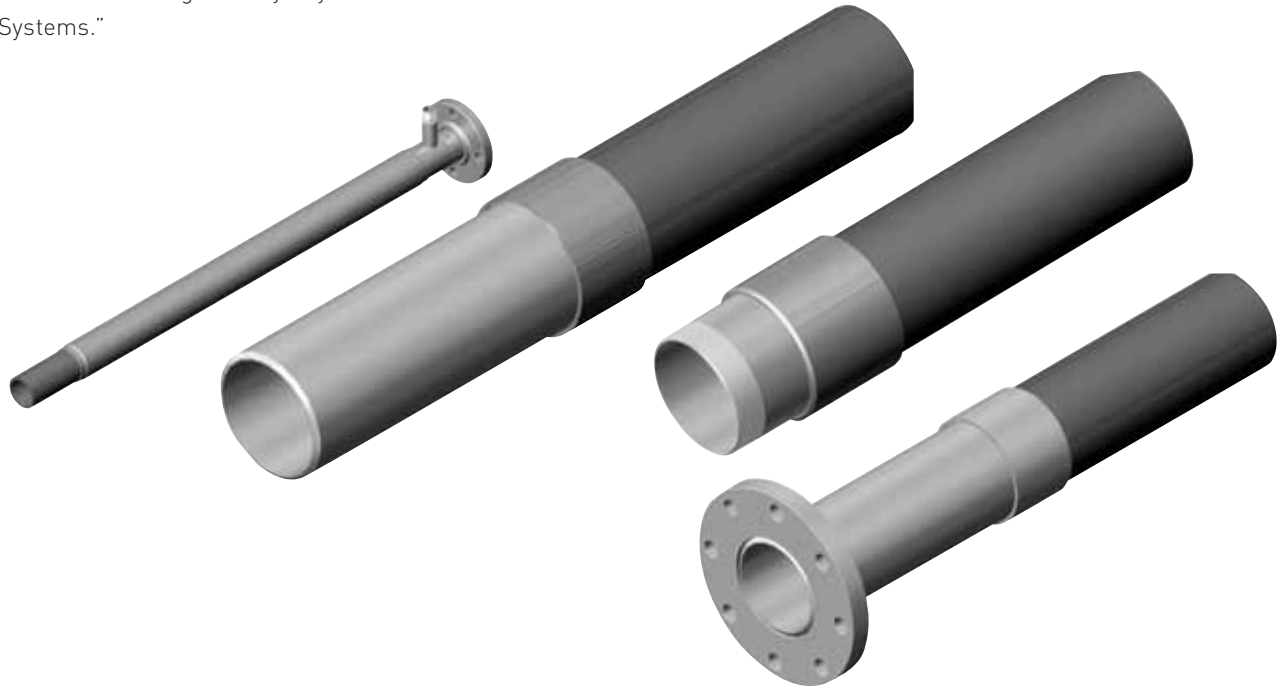


Risers and Transitions: Overview

All the PE-to-Steel transition joints used in Risers and Transition Fittings produced by Georg Fischer Central Plastics are designed to exceed the operating capabilities of the PE pipe in which it is installed. All joints, regardless of the market in which they are sold, are designed to meet or exceed ASTM D 2513 – Category 1 specifications as well as ASTM F1973.

ASTM D 2513, Category 1 specification requires that the fittings maintain a pressure-tight seal and able to maintain this seal while subjected to stresses that will cause the PE pipe to yield. Fittings used in applications where the expansion and contraction properties of PE pipe in addition to the normal stresses encountered during typical installations are mandated by most governing agencies to have a Category 1 rating.

Additionally, all Georg Fischer Central Plastics Risers and Transitions are designed to meet ASTM F1973 "Standard specification for Factory Assembled Anodeless Risers and Transitions Fittings in Polyethylene Fuel Gas Distribution Systems."



Risers and Transitions: Anodeless Risers

Since 1965, Georg Fischer Central Plastics has offered a complete line of Anodeless Meter Risers for residential and commercial applications. Anodeless Meter Risers offer a simple, reliable, factory manufactured method for transitioning PE pipe from below ground to an above ground piping system. The polyethylene pipe remains the gas carrier until it is above ground, thereby minimizing underground corrosion concerns as well as eliminating the need for cathodic protection.

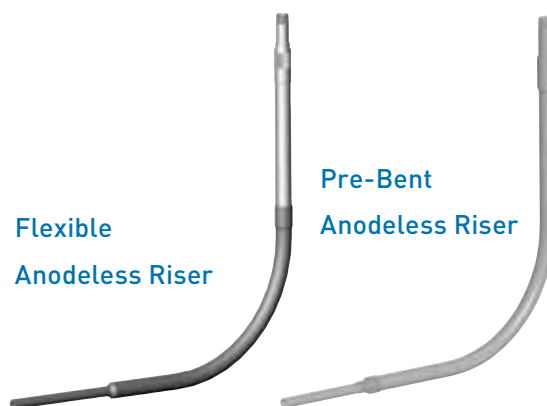
Anodeless Risers can be selected from a group of standard items or can be manufactured to meet the customer's specific requirements. A wide variety of options ensures that the need of the customer is met.

Features and Benefits

- PE-to-Steel transition joint is stronger than the PE pipe.
- Riser design utilizes an O-Ring for added security for extreme conditions.
- No gas-carrying welds are utilized in the riser design.
- All products are protected with an electrostatically-applied fusion-bonded epoxy powder coating specifically designed for the exterior of gas petroleum pipelines.
- Risers can be manufactured to meet custom specifications.
- No Cathodic protection required.
- Factory pre-assembly and bundling options available.
- Specialized inventory programs available.



Anodeless Riser w/Extended Length of PE Pipe



Flexible Anodeless Riser

Pre-Bent Anodeless Riser

Risers and Transitions: Anodeless Risers (continued)

Available Options

Riser Style

- Pre-bent
- Pre-bent w/extended length of PE pipe
- Straight
- Straight w/fused pup
- Flexible
- Steel x flex

Outlet options

- Threaded
- Beveled for welding
- Flanged
- By-pass outlets

Pipe coatings

- Fusion bonded epoxy
- Fusion bonded polyester

Custom dimensions

- Custom vertical dimensions
- Custom horizontal dimensions
- Inlet pe pipe ½" CTS to 12" IPS
- Outlet steel size ½" NPT to 12" NPT
- PE pigtail length from 6" to 250'

Other options

- Tracer wire connectors
- Factory installed gas valve
- Factory installed mechanical connector
- Sch 40 and Sch 80 pipe nipple
- Shear protection sleeves
- UV protection sleeves
- Mounting brackets, stakes, and wall brackets
- Special packaging and labeling
- Metric sizes available
- Sch 40 and thin-wall tubing for casing
- Pressure seal on horizontal end

Testing and Compliance

All GF Central Plastics risers meet or exceed the following applicable standards and are subjected to an extensive testing program to ensure consistent performance in the field that is safe, robust and reliable.

- DOT Code of Federal Regulations, Title 49, Part 192
- ASTM D2513 - Standard Specification for Thermoplastic gas pressure pipe, tubing, and fittings qualified Category 1 requirements
 - ASTM D1598 - Test Method for Time to Failure of plastic pipe under constant internal pressure (Sustained Pressure Test)
 - ASTM D1599 - Test Method for resistance to short term hydraulic pressure of plastic pipe, tubing and fittings (Quick Burst)
 - ASTM D638 - Test Method for Tensile Testing
- ASTM F1973 - Standard Specification for Factory Assembled Anodeless Risers and Transition Fittings.
 - ASTM E515 - Test Method for Leak Testing
 - ASTM D638 - Test Method for Tensile Testing
 - ASTM F1588 - Test Method Constant Tensile Load Test- ASTM F1973, 7.4 - Test Method for Temperature Cycling Test
- Complies with CSA B137.4
- Listed with IAPMO/UPC (where applicable)

Technical Specifications

- Steel gas carrier - ASTM A53/API5L
- Pipe threads - ANSI B1.20.1
- Steel compression ring - ASTM A513
- Buna O-ring seal - ASTM D2000
- Protective coating

All parts are protected with an electrostatically applied fusion-bonded epoxy powder coating specifically designed for the exterior of gas petroleum pipelines.

- 8 mil minimum thickness
- AGA 49 grey
- Cathodic disbondment testing per ASTM G8
- Salt spray testing per ASTM B117
- Impact resistance testing per ASTM G14

Anodeless Risers: with PE2406/PE2708 Pipe

RESIDENTIAL Anodeless Risers w/PE2406/PE2708 Pipe				
Size	Description	Part Number	Wt.	Box / Pallet
¾" MPT x ½" CTS	.090 18V x 18H	6360508	3.00	10 / 140
¾" MPT x ½" CTS	.090 18" Steel x 24" Flex	10000860	3.75	10 / 140
¾" MPT x ½" CTS	.090 22" Steel x 48" Flex	6360511	5.30	10 / 200
¾" MPT x ½" CTS	.090 24V x 18H	6360505	3.58	10 / 140
¾" MPT x ½" CTS	.090 30V x 18H	6360504	3.50	10 / 200
¾" MPT x ½" CTS	.090 30V x 18H w/STAB	6360507	3.90	6 / 84
¾" MPT x ½" CTS	.090 30V x 30H	6360502	4.00	10 / 140
¾" MPT x ½" CTS	.090 30V x 30H w/STAB	call	4.50	6 / 84
¾" MPT x ½" CTS	.090 36V x 24H	6360506	4.00	10 / 140
¾" MPT x ½" CTS	.090 48V x 24H	10003264	5.00	200
¾" MPT x ½" IPS	DR9.3 30V x 28H	6360018	8.93	8 / 112
¾" MPT x ¾" IPS	DR11 20" Steel x 36" Flex	10002788	6.00	6 / 84
¾" MPT x ¾" IPS	DR11 24V x 18H	6380285	4.4	8 / 112
¾" MPT x ¾" IPS	DR11 24V x 36H	6380284	5.75	8 / 112
¾" MPT x ¾" IPS	DR9.3 24V x 36H	call	6.09	8 / 112
¾" MPT x ¾" IPS	DR11 30V x 18H	6380283	4.12	8 / 112
¾" MPT x ¾" IPS	DR11 30V x 18H w/STAB	6380301	4.43	6 / 84
¾" MPT x ¾" IPS	DR11 30V x 30H	6380282	5.60	8 / 112
¾" MPT x ¾" IPS	DR11 30V x 30H w/STAB	6380230	8.00	6 / 84
¾" MPT x ¾" IPS	DR9.3 30V x 30H	10002131	6.00	8 / 112
¾" MPT x ¾" IPS	DR11 34" Steel x 32" Flex	10002789	7.00	6 / 84
¾" MPT x ¾" IPS	DR11 36V x 24H	6380286	5.60	8 / 112
¾" MPT x ¾" IPS	DR11 36V x 36H	6360445	6.80	8 / 112
¾" MPT x 1" CTS	.099 18" Steel x 24" Flex	call	6.40	50 / 50
¾" MPT x 1" CTS	.099 24" Steel x 36" Flex	call	6.75	8 / 112
¾" MPT x 1" CTS	.099 30V x 18H	10001945	4.25	8 / 112
1" MPT x ¾" IPS	DR11 18" Steel x 36" Flex	6380278	6.00	160
1" MPT x ¾" IPS	DR11 24V x 24H	10000586	5.70	8 / 112
1" MPT x ¾" IPS	DR11 24V x 24H w/STAB	10000587	6.04	50 / 50
1" MPT x ¾" IPS	DR11 30V x 30H	6380309	6.25	8 / 112
1" MPT x ¾" IPS	.099 18" Steel x 24" Flex	6360469	5.75	8 / 112
1" MPT x 1" CTS	.121 30V x 18H	6380225	6.50	50 / 50
1" MPT x 1" CTS	.099 30V x 30H	10000343	7.00	8 / 112
1" MPT x 1" CTS	.099 36V x 18H	10000911	7.00	8 / 112
1" MPT x 1" CTS	DR11 24V x 24H	6380292	5.00	6 / 84
1" MPT x 1" IPS	DR11 24V x 24H w/STAB	6380238	5.98	4 / 56
1" MPT x 1" IPS	DR11 24V x 36H	6380291	8.00	6 / 84
1" MPT x 1" IPS	DR11 30V x 18H	6380289	6.00	6 / 84
1" MPT x 1" IPS	DR11 30V x 30H	6380287	7.00	6 / 84
1" MPT x 1" IPS	DR11 30V x 30H w/STAB	6380314	7.75	6 / 84
1" MPT x 1" IPS	DR11 36V x 24H	6380290	7.00	6 / 84
1" MPT x 1" IPS	DR11 36V x 36H	6380316	8.00	6 / 84
1" MPT x 1" IPS	DR11 48V x 24H	6380302	8.00	6 / 84

Protective sleeves are available on request.

Please call for sizes and prices.

GF Central Plastics offers thousands of different riser configurations.

The configurations listed here are our standard stocking sizes.

Anodeless Risers: with PE2406/PE2708 Pipe



COMMERCIAL Anodeless Risers w/PE2406/PE2708 Pipe

Size	Description	Part Number	Wt.	Box / Pallet
1¼" MPT × 1¼" IPS	DR10 30V × 30H	6380293	10.00	6 / 84
1¼" MPT × 1¼" IPS	DR10 30V × 30H w/STAB	6360473	11.50	6 / 84
1¼" MPT × 1¼" IPS	DR10 36V × 24H	6380294	10.00	6 / 84
1½" MPT × 1½" IPS	DR11 30V × 24H	6380305	12.00	4 / 56
1½" MPT × 1½" IPS	DR11 36V × 26H	6380296	12.00	4 / 56
2" MPT × 2" IPS	DR11 36V × 34H	6380295	19.00	15 / 15
2" MPT × 2" IPS	DR11 36V × 34H w/STAB	6380262	21.00	15 / 15
2" MPT × 2" IPS	DR11 48V × 36H	6380272	23.00	15 / 15
2" MPT × 2" IPS	DR11 30V × 30H STUB ELL	6381012	18.00	2 / 28
2" MPT × 2" IPS	DR11 36V × 24H STUB ELL	6380177	18.00	2 / 28
2" MPT × 2" IPS	DR11 56" STEEL STRAIGHT	10002746	19.00	100 / 100
2" MPT × 2" IPS	DR11 36V × 34H FLANGED	10001228	23.00	10 / 10
3" MPT × 3" IPS	STUB 30" STEEL	6381013	31.40	1 / 24
3" MPT × 3" IPS	STUB 30" STEEL w/STAKE	6381015	31.40	1 / 24
3" MPT × 3" IPS	30" STEEL FLANGED	6381017	36.00	15
3" MPT × 3" IPS	42V × 24H STUB ELL	6381011	34.76	16 / 16
3" MPT × 3" IPS	STUB 42V × 24H FLANGED	10001419	40.00	15
4" MPT × 4" IPS	STUB 30" STEEL	6381014	40.00	1 / 24
4" MPT × 4" IPS	STUB 30" STEEL w/STAKE	6381016	43.00	1 / 20
4" MPT × 4" IPS	30" STEEL FLANGED	6381018	50.00	1 / 24
4" MPT × 4" IPS	42V × 24H STUB ELL	6381010	41.78	12 / 12
4" MPT × 4" IPS	42V × 24H FLANGED ELL	10001907	31.78	12 / 12
6" MPT × 6" IPS	40" STEEL FLANGED	10001275	70.00	1 / 4

Protective sleeves are available on request.

Please call for sizes and prices.

GF Central Plastics offers thousands of different riser configurations.

The configurations listed here are our standard stocking sizes.

Anodeless Risers: with PE3408/PE4710 Pipe



RESIDENTIAL Anodeless Risers w/PE3408/PE4710 Pipe

Size	Description	Part Number	Wt.	Box / Pallet
3/4" MPT x 1/2" CTS	.090 22V x 18H	6360514	3.00	10 / 140
3/4" MPT x 1/2" CTS	.090 30V x 30H	6360503	3.75	10 / 140
3/4" MPT x 1/2" CTS	.090 36V x 24H	6360490	5.30	200
3/4" MPT x 3/4" IPS	DR11 24V x 36H	6380241	5.60	8 / 112
3/4" MPT x 3/4" IPS	DR11 24V x 36H	6380306	5.60	8 / 112
3/4" MPT x 3/4" IPS	DR11 30V x 30H	10000016	6.00	8 / 112
3/4" MPT x 3/4" IPS	DR11 30V x 30H	6380150	6.00	8 / 112
3/4" MPT x 3/4" IPS	DR11 36V x 24H	10001698	5.60	8 / 112
1" MPT x 3/4" IPS	DR11 30V x 30H	10000444	6.25	8 / 112
1" MPT x 1" CTS	.090 36V x 24H	10000998	5.75	8 / 112
1" MPT x 1" CTS	DR11 36V x 24H	10003843	5.75	8 / 112
1" MPT x 1" CTS	.101 30V x 30H	10000850	5.75	8 / 112
1" MPT x 1" IPS	DR11 24V x 24H	6380222	3.00	6 / 84
1" MPT x 1" IPS	DR11 24V x 36H	6380310	3.75	6 / 84
1" MPT x 1" IPS	DR11 30V x 30H	6380288	5.30	6 / 84
1" MPT x 1" IPS	DR11 30V x 30H	6380315	5.60	6 / 84
1" MPT x 1" IPS	DR11 36V x 24H	6380165	5.60	6 / 84
1" MPT x 1" IPS	DR11 36V x 24H	6380270	6.00	6 / 84

COMMERCIAL Anodeless Risers w/PE3408/PE4710 Pipe

Size	Description	Part Number	Wt.	Box / Pallet
1 1/4" MPT x 1 1/4" IPS	DR11 36V x 24H	6360151	6.00	6 / 84
2" MPT x 2" IPS	DR11 36V x 34H	10000597	5.60	15 / 15
2" MPT x 2" IPS	DR11 36V x 34H	6380148	6.25	15 / 15
2" MPT x 2" IPS	DR11 36V x 34H	6380208	5.75	15 / 15
2" MPT x 2" IPS	DR11 48V x 36H	6380273	5.75	15 / 15
3" MPT x 3" IPS	DR11 42V x 24H	10001688	5.75	16 / 16
4" MPT x 4" IPS	DR11 42V x 24H	10001826	41.78	12 / 12

Protective sleeves are available on request.

Please call for sizes and prices.

GF Central Plastics offers thousands of different riser configurations.

The configurations listed here are our standard stocking sizes.

Risers and Transitions: Transition Risers

Since 1978, Georg Fischer Central Plastics has been providing the polyethylene piping industry with a line of Transition Risers that offer a safe and simple method of connecting and transitioning PE pipe to steel pipe. Transition Risers offer the ability to transition PE pipe from a below ground application to an above ground piping system. These fittings have been safely and effectively used in Natural Gas Plumbing, Pool and Spa applications and LP Gas.

Transition Risers can be selected from a group of standard items or can be manufactured to meet the customer's specific requirements. A wide variety of options ensures that the customer's needs are fully met.

Features and Benefits

- PE-to-Steel transition joint is stronger than the PE pipe.
- The riser utilizes an O-Ring design for added protection.
- All products are protected with an electrostatically-applied fusion-bonded epoxy powder coating specifically designed for the exterior of Gas Petroleum pipelines.

Available Options

- Custom Dimensions
 - Custom vertical dimensions 15" to 52"
 - Custom horizontal dimensions 15" to 40"
 - Inlet PE pipe ½" CTS to 8" IPS
 - Outlet steel size ¾" NPT to 8" NPT
 - Can be supplied with any customer-specified PE Pipe
- Other Options
 - Tracer Wire Connectors
 - Factory Installed Gas Valve
 - Shear Protection Sleeves
 - UV Protection Sleeves
 - Attached Anodes
 - Mounting Brackets, Stakes & Wall Brackets
 - Special Packaging and Labeling

Transition Riser



Transition Riser with Anode



Risers and Transitions: Transition Risers (continued)

Testing and Compliance

All Georg Fischer Central Plastics Risers meet or exceed the following applicable standards and are subjected to an extensive testing program to ensure consistent performance in the field that is safe, robust and reliable.

Meets or Exceeds Applicable Standards

- DOT Code of Federal Regulations, Title 49, Part 192
- ASTM D2513 - Standard Specification for Thermo plastic gas pressure pipe, tubing, and fittings qualified Category 1 requirements
 - ASTM D1598 - Test Method for Time to Failure of plastic pipe under constant internal pressure (Sustained Pressure Test)
 - ASTM D1599 - Test Method for resistance to short term hydraulic pressure of plastic pipe, tubing and fittings (Quick Burst)
 - ASTM D638 - Test Method for Tensile Testing
- ASTM F1973 - Standard Specification for Factory Assembled Anodeless Risers and Transition Fittings.
 - ASTM E515 - Test Method for Leak Testing
 - ASTM D638 - Test Method for Tensile Testing
 - ASTM F1588 - Test Method Constant Tensile Load Test - ASTM F1973, 7.4 - Test Method for Temperature Cycling Test
- Complies with CSA B137.4
- Listed with IAPMO/UPC (where applicable)
- 100% Factory Leak Tested

Technical Specifications

- Sch 40 & Sch 80 steel gas carrier - ASTM A53 / API 5L
- Pipe threads - ANSI B1.20.1
- Buna O-Ring seal - ASTM D2000
- Welds per API 1104
- Protective coating

All parts are protected with an electrostatically applied fusion-bonded epoxy powder coating specifically designed for the exterior of gas petroleum pipelines.

- 8 mil minimum thickness
- AGA 49 grey
- Cathodic disbondment testing per ASTM G8
- Salt spray testing per ASTM B117
- Impact resistance testing per ASTM G14

Transition Risers: with PE2406/PE2708 Pipe



Transition Risers w/PE2406/PE2708 Pipe

Size	Description	Part Number	Wt.	Standard Pack Box/Pallet
¾" MPT × ½" IPS	DR9.3 24V × 18H	6000124	5.08	150/150
¾" MPT × ¾" IPS	DR11 24V × 36H	600757524000	6.00	10/140
¾" MPT × ¾" IPS	DR11 30V × 30H	6000074	5.00	10/140
¾" MPT × ¾" IPS	DR11 36V × 24H	600757536000	5.00	10/140
1" MPT × 1" IPS	DR11 24V × 36H	600010124000	7.00	6/84
1" MPT × 1" IPS	DR11 30V × 30H	6000069	7.00	6/84
1" MPT × 1" IPS	DR11 36V × 24H	600010136000	7.00	6/84
1" MPT × 1¼" IPS	DR11 24V × 36H	6000035	7.88	6/84
1" MPT × 1¼" IPS	DR11 36V × 24H	600011236000	7.88	6/84
1¼" MPT × 1¼" IPS	DR11 24V × 36H	600121224000	9.00	5/70
1¼" MPT × 1¼" IPS	DR11 30V × 30H	6000070	9.00	5/70
1¼" MPT × 1¼" IPS	DR11 36V × 24H	600121236000	9.00	5/70
1½" MPT × 1½" IPS	DR11 24V × 36H	600151524000	15.60	4/56
1½" MPT × 1½" IPS	DR11 30V × 30H	6000091	15.60	4/56
1½" MPT × 1½" IPS	DR11 36V × 24H	600151536000	15.60	4/56
2" MPT × 2" IPS	DR11 24V × 36H	600020224000	16.00	3/42
2" MPT × 2" IPS	DR11 30V × 30H	6000071	16.00	3/42
2" MPT × 2" IPS	DR11 36V × 24H	600020236000	16.00	3/42
3" MPT × 3" IPS	DR11 24V × 36H	6000102	41.00	10/10
3" MPT × 3" IPS	DR11 30V × 30H	6000072	41.00	10/10
3" MPT × 3" IPS	DR11 36V × 24H	6000056	41.00	10/10
3" MPT × 3" IPS	DR11 42V × 30H	6000067	45.00	12/12
4" MPT × 4" IPS	DR11 42V × 30H	6000068	63.00	10/10

Protective sleeves are available on request.

Please call for sizes and prices.

Sizes listed are standard stocking sizes.

Sizes and configurations not listed can be furnished on request.

Transition Risers with Anodes: with PE2406/PE2708 Pipe



Transition Risers w/Anode w/PE2406/PE2708 Pipe

Size	Description	Part Number	Wt.	Standard Pack Box/Pallet
3/4" MPT x 3/4" IPS	DR11 24V x 36H w/Anode	6000020	7.25	6/84
3/4" MPT x 3/4" IPS	DR11 36V x 24H w/Anode	600757536004	5.25	6/84
1" MPT x 1" IPS	DR11 24V x 36H w/Anode	600010124004	8.25	5/70
1" MPT x 1" IPS	DR11 30V x 30H w/Anode	6000052	8.25	5/70
1 1/4" MPT x 1 1/4" IPS	DR11 24V x 36H w/Anode	600121224004	10.25	4/56
1 1/2" MPT x 1 1/2" IPS	DR11 24V x 36H w/Anode	600151524004	16.85	4/56
2" MPT x 2" IPS	DR11 24V x 36H w/Anode	600020224004	17.25	3/42

Protective sleeves are available on request.

Please call for sizes and prices.

Sizes listed are standard stocking sizes.

Sizes and configurations not listed can be furnished on request.

Risers and Transitions: Compression Risers

Since 1978, Georg Fischer Central Plastics has been providing the polyethylene piping industry with a line of steel compression fittings that offer a safe and simple method of connecting and transitioning PE pipe to steel pipe. Compression Risers offer the ability to transition PE piping from a below-ground application to an above-ground piping system. Compression fittings allow the user to connect and/or transition PE to steel without the need for fusion equipment.

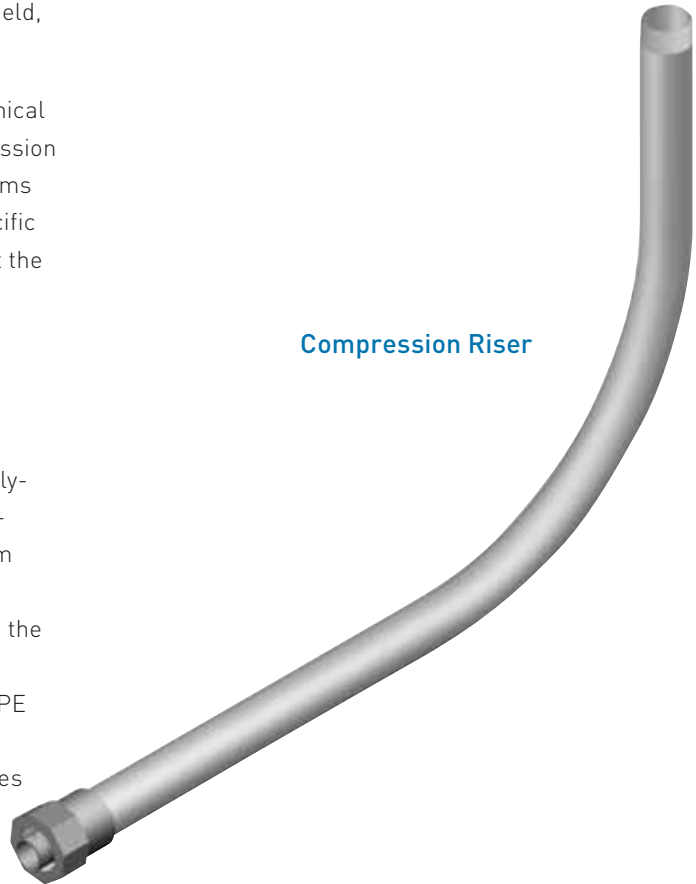
These fittings have been safely and effectively used in natural gas plumbing, pool and spa applications, oilfield, oil & gas gathering and LP FGs markets.

Proper installation of these fittings provide a mechanical joint that is stronger than the PE pipe itself. Compression Fittings can be selected from a group of standard items or can be manufactured to meet the customer's specific requirements. A wide variety of options ensures that the customers needs are fully met.

Features and Benefits

- One-piece design
- "Built-In" floating stiffener
- All products are protected with an electrostatically-applied fusion-bonded epoxy powder coating specifically designed for the exterior of gas petroleum pipelines.
- The steel-to-PE mechanical joint is stronger than the PE pipe
- PE pipe will fail prior to the failure of the steel to PE joint
- Can be supplied with anode connectors and anodes

Compression Riser



Risers and Transitions: Compression Risers (continued)

Available Options

- Custom Dimensions
 - Custom Vertical Range 15" to 52"
 - Custom Horizontal Range 15" to 40"
 - Inlet PE Pipe ½" CTS to 2" IPS
 - Outlet Steel Size ½" NPT to 4" NPT
- Other Options
 - Tracer Wire Connectors
 - Factory Installed Gas Valve
 - Shear Protection Sleeves
 - UV Protection Sleeves
 - Attached Anodes

Testing and Compliance

All Georg Fischer Central Plastics Compression Risers meet or exceed the following applicable standards and are subjected to an extensive testing program to ensure consistent performance in the field that is safe, robust and reliable.

Meets or Exceeds Applicable Standards

- DOT Code of Federal Regulations, Title 49, Part 192
- ASTM D2513 - Standard Specification for Thermoplastic gas pressure pipe, tubing, and fittings qualified Category 1 requirements
 - ASTM D1598 - Test Method for Time to Failure of plastic pipe under constant internal pressure (Sustained Pressure Test)
 - ASTM D1599 - Test Method for resistance to short term hydraulic pressure of plastic pipe, tubing and fittings (Quick Burst)
 - ASTM D638 - Test Method for Tensile Testing
- ASTM F1973 - Standard Specification for Factory Assembled Anodeless Risers and Transition Fittings.
 - ASTM E515 - Test Method for Leak Testing
 - ASTM D638 - Test Method for Tensile Testing
 - ASTM F1588 - Test Method Constant Tensile Load Test
 - ASTM F1973, 7.4 - Test Method for Temperature Cycling Test
- Complies with CSA B137.4
- Listed with IAPMO/UPC (where applicable)

Technical Specifications

- Steel gas carrier - ASTM A53 / API 5L
- Pipe threads - ANSI B1.20.1
- Compression gasket - ASTM D2000
- Protective coating

All parts are protected with an electrostatically applied fusion-bonded epoxy powder coating specifically designed for the exterior of gas petroleum pipelines.

- 8 mil minimum thickness
- AGA 49 grey
- Cathodic disbondment testing per ASTM G8
- Salt spray testing per ASTM B117
- Impact resistance testing per ASTM G14

Compression Risers



COMPRESSION RISERS

Size	Description	Part Number	Wt.	Box / Pallet
1/2" MPT x 1/2" IPS	24V x 36H	610505024000	4.66	10/140
3/4" MPT x 3/4" IPS	30V x 30H	10003247	5.80	8/112
3/4" MPT x 3/4" IPS	24V x 36H	610757524000	5.80	8/112
3/4" MPT x 3/4" IPS	36V x 24H	610757536000	5.80	8/112
1" MPT x 1" IPS	24V x 36H	610010124000	8.38	6/84
1" MPT x 1" IPS	30V x 30H	6100020	8.38	6/84
1" MPT x 1" IPS	36V x 24H	610010136000	8.38	6/84
1" MPT x 1 1/4" IPS	36V x 24H	610011236000	8.96	6/84
1 1/4" MPT x 1 1/4" IPS	24V x 36H	610121224000	11.35	5/70
1 1/4" MPT x 1 1/4" IPS	30V x 30H	10003254	11.35	5/70
1 1/4" MPT x 1 1/4" IPS	36V x 24H	610121236000	11.35	5/70
1 1/2" MPT x 1 1/2" IPS	24V x 36H	10002381	13.98	4/56
1 1/2" MPT x 1 1/2" IPS	30V x 30H	10003248	13.98	4/56
1 1/2" MPT x 1 1/2" IPS	36V x 24H	10002382	13.98	4/56
2" MPT x 2" IPS	24V x 36H	10002384	19.58	2/28
2" MPT x 2" IPS	30V x 30H	10003249	19.58	2/28
2" MPT x 2" IPS	36V x 24H	10002385	19.58	2/28

Sizes listed are standard stocking sizes.
 Sizes not listed can be furnished on request.

Compression Riser with Anodes



COMPRESSION RISERS w/ANODES

Size	Description	Part Number	Wt.	Box / Pallet
3/4" MPT x 3/4" IPS	DR11 24V x 36H	610757524004	8.01	6/84
3/4" MPT x 3/4" IPS	DR11 30V x 30H	6100063	7.83	6/84
1" MPT x 1" IPS	DR11 24V x 36H	610010124004	10.35	5/70
1" MPT x 1" IPS	DR11 30V x 30H	6100001	10.20	5/70
1" MPT x 1" IPS	DR11 36V x 24H	610010136004	10.20	5/70
1 1/4" MPT x 1 1/4" IPS	DR11 24V x 36H	610121224004	13.50	4/56
1 1/4" MPT x 1 1/4" IPS	DR11 30V x 30H	6100002	13.12	4/56
1 1/4" MPT x 1 1/4" IPS	DR11 36V x 24H	610121236004	13.50	4/56
1 1/2" MPT x 1 1/2" IPS	DR11 24V x 36H	10002383	15.08	2/28
2" MPT x 2" IPS	DR11 24V x 36H	10002386	21.60	2/28
2" MPT x 2" IPS	DR11 30V x 30H	10002387	21.60	2/28

Sizes listed are standard stocking sizes.
 Sizes not listed can be furnished on request.

Risers and Transitions: Transition Fittings Overview

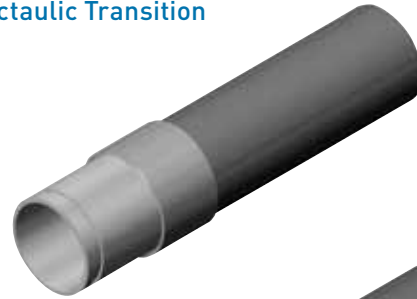
The time-tested Georg Fischer Central Plastics Transition Fitting design eliminates human error in the plastic-to-seal connection by providing a tamper proof and gas tight ASTM D2513 Category 1 mechanical joint that exceeds the hydrostatic burst pressure and tensile strength of the polyethylene pipe. The simplicity and reliability of which is now making the Georg Fischer Central Plastics Transition Fitting the transition fitting of choice in a growing number of industrial applications.

Georg Fischer Central Plastics continues to maintain a standard of excellence backed up by the most extensive research and development, quality assurance and in-house testing programs available to the industry.

Features and Benefits

- All products are protected with an electrostatically-applied fusion-bonded epoxy powder coating specifically designed for the exterior of gas petroleum pipelines.
- One-piece design eliminates loose parts
- PE-to-steel transition joint is stronger than the PE pipe.
- Transition joint design effectively resists pullout.
- The transition design utilizes a double o-ring design for added protection.
- All gas carrying welds on steel transitions are 100% air tested.
- Minimum shear points

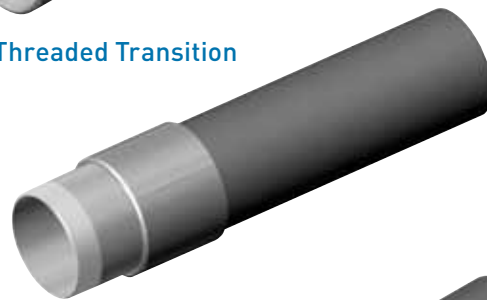
Victaulic Transition



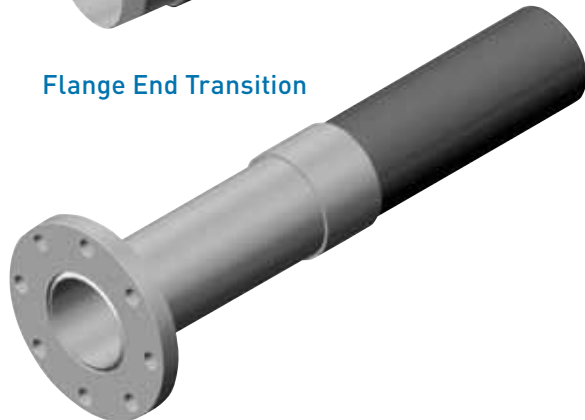
Weld End Transition



Threaded Transition



Flange End Transition



Risers and Transitions: Transition Fittings

Available Types and Options

Transition Types

- Steel thread end epoxy coated (½"–8")
- Steel threaded internal coated (½"–8")
- Steel weld end epoxy coated (½"–24")
- Steel flange end epoxy coated (2"–24")
- Steel victaulic end epoxy coated (2"–24")

Options

- Tracer wire connector
- Special designs and custom specifications available
- Protective sleeves
- Available in Schedule 40 and Schedule 80

Testing and Compliance

All Georg Fischer Central Plastics Risers meet or exceed the following applicable standards and are subjected to an extensive testing program to ensure consistent performance in the field that is safe, robust and reliable.

- DOT Code of Federal Regulations, Title 49, Part 192
- ASTM D2513 - Standard Specification for Thermoplastic gas pressure pipe, tubing, and fittings qualified Category 1 requirements
 - ASTM D1598 - Test Method for Time to Failure of plastic pipe under constant internal pressure (Sustained Pressure Test)
 - ASTM D1599 - Test Method for resistance to short term hydraulic pressure of plastic pipe, tubing and fittings (Quick Burst)
 - ASTM D638 - Test Method for Tensile Testing

- ASTM F1973 - Standard Specification for Factory Assembled Anodeless Risers and Transition Fittings.
 - ASTM E515 - Test Method for Leak Testing
 - ASTM D638 - Test Method for Tensile Testing
 - ASTM F1588 - Test Method Constance Tensile Load Test
 - ASTM F1973, 7.4 - Test Method for Temperature Cycling Test
- Complies with CSA B137.4
- Listed with IAPMO/UPC (where applicable)

Technical Specifications

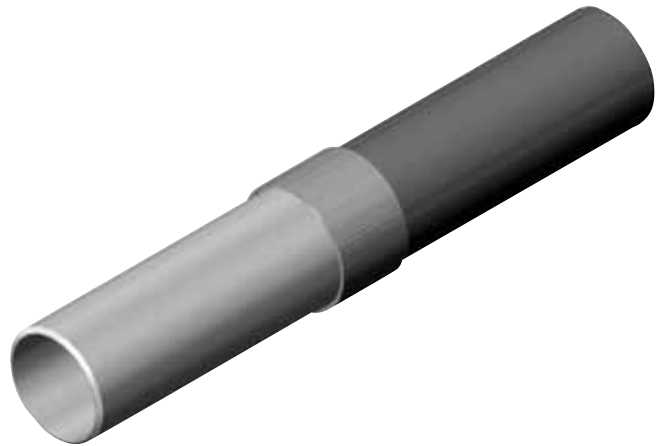
- Steel Gas Carrier - API 5L - ASTM A53
- Pipe Threads - ANSI B1.20.1
- PE Pipe per ASTM D2513
- Protective Coating Specs

All parts are protected with an electrostatically applied fusion-bonded epoxy powder coating specifically designed for the exterior of gas petroleum pipelines.

- 8 mil minimum thickness
- AGA 49 grey
- Cathodic disbondment testing per ASTM G8
- Salt spray testing per ASTM B117
- Impact resistance testing per ASTM G14

Call about Specialty Transition design options and cost.

Weld-End Transition Fittings: with PE2406/PE2708 Gas Pipe

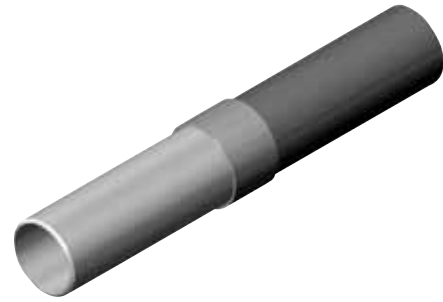


Protective sleeves are available on request.
 Please call for sizes and prices.
 For transition fittings larger than 12" call for availability and pricing.

WELD END TRANSITIONS: w/PE2406/PE2708 GAS PIPE

Size	Description	Part Number	Wt.	Box / Pallet
1/2" IPS x 1/2" IPS	DR9 YEL	6500579	1.74	30 / 360
3/4" IPS x 1/2" CTS	.090 YEL	650756200000	1.52	40 / 640
3/4" IPS x 3/4" IPS	.090 YEL w/18" SLV	6500583	2.07	30 / 360
3/4" IPS x 1/2" IPS	DR9 YEL	6501203	1.49	40 / 640
3/4" IPS x 1/2" IPS	DR9 YEL w/18" SLV	6500909	1.92	30 / 360
3/4" IPS x 3/4" IPS	DR11 YEL	650757500000	1.53	40 / 640
3/4" IPS x 3/4" IPS	DR11 YEL w/12" SLV	6500937	2.02	30 / 360
1" IPS x 1" CTS	.099 YEL	650011100000	3.72	32 / 512
1" IPS x 1" CTS	.099 YEL w/12" SLV	6500073	3.72	16 / 192
1" IPS x 1" IPS	DR11 YEL	650010100000	2.26	35 / 512
1" IPS x 1" IPS	DR11 YEL w/12" SLV	6500961	3.46	16 / 192
1 1/4" IPS x 1 1/4" IPS	DR10 YEL	650121200000	3.29	15 / 240
1 1/4" IPS x 1 1/4" IPS	DR10 YEL w/18" SLV	6500066	3.32	16 / 192
1 1/2" IPS x 1 1/4" IPS	DR11 YEL	650151500000	4.36	25 / 300
2" IPS x 2" IPS	DR11 YEL	650020200000	5.26	16 / 192
2" IPS x 2" IPS	DR11 YEL w/28" SLV	6500112	6.87	9 / 108
3" IPS x 3" IPS	DR11.5 YEL	650030300000	13.67	5 / 60
3" IPS x 3" IPS	DR11.5 YEL w/28" SLV	6500586	17.57	4 / 48
4" IPS x 4" IPS	DR11 YEL	6500891	18.87	4 / 48
4" IPS x 4" IPS	DR11 YEL w/30" SLV	6500098	24.38	4 / 48
4" IPS x 4" IPS	DR11.5 YEL	6500569	18.80	4 / 48
4" IPS x 4" IPS	DR11.5 YEL w/30" SLV	6500587	19.44	4 / 32
4" IPS x 4" IPS	DR13.5 YEL	6501129	23.93	4 / 48
4" IPS x 4" IPS	DR13.5 YEL w/30" SLV	6501163	25.75	4 / 32
6" IPS x 6" IPS	DR11 YEL	6500959	45.83	1 / 24
6" IPS x 6" IPS	DR11 YEL w/36" SLV	6500960	67.50	1 / 9
6" IPS x 6" IPS	DR11.5 YEL	6500570	46.36	1 / 24
6" IPS x 6" IPS	DR11.5 YEL w/36" SLV	6500588	66.00	1 / 9
6" IPS x 6" IPS	DR13.5 YEL	6500894	47.14	1 / 24
6" IPS x 6" IPS	DR13.5 YEL w/36" SLV	6501040	78.00	1 / 9
8 IPS x 8" IPS	DR11.5 YEL	650080800000	93.80	1 / 9
8 IPS x 8" IPS	DR11.5 YEL w/48" SLV	6500589	127.50	1 / 9
10" IPS x 10" IPS	DR13.5 YEL	6500011	170.00	1 / 3
12" IPS x 12" IPS	DR13.5 YEL	6501024	241.60	1 / 2

Weld-End Transition Fittings: with PE3408 Gas Pipe



WELD END TRANSITIONS: w/PE3408 GAS PIPE

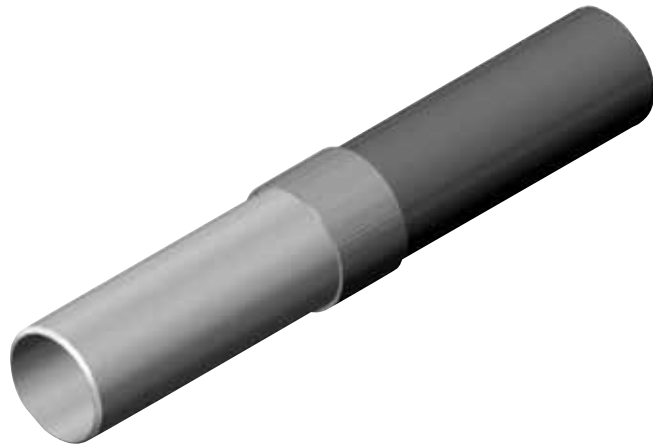
Size	Description	Part Number	Wt.	Box / Pallet
½" IPS × ½" CTS	.090 BLK 8100	6500640	1.74	30 / 360
¾" IPS × ½" CTS	.090 BLK 8300	6500320	1.52	40 / 640
¾" IPS × ¾" IPS	DR11 BLK 8300	6500321	1.53	40 / 640
1" IPS × 1" IPS	DR11 BLK 8100	6501142	2.26	32 / 512
1" IPS × 1" IPS	DR11 BLK 8300	6500322	3.46	16 / 192
1¼" IPS × 1¼" IPS	DR11 BLK 8100	6501052	3.29	15 / 240
1¼" IPS × 1¼" IPS	DR11 BLK 8300 w/18" SLV	10000745	3.32	16 / 192
1½" IPS × 1¼" IPS	DR11 BLK 8300	6500323	4.36	25 / 300
2" IPS × 2" IPS	DR11 BLK 8100	6501002	5.26	16 / 192
2" IPS × 2" IPS	DR11 BLK 8300 w/24" SLV	6500307	6.87	9 / 108
2" IPS × 2" IPS	DR11 BLK 8300	6500311	6.87	9 / 108
3" IPS × 3" IPS	DR11 BLK 8100	650030300110	13.67	5 / 60
3" IPS × 3" IPS	DR11 BLK 8300	6500522	17.57	4 / 48
4" IPS × 4" IPS	DR11 BLK 8100	6501144	18.87	4 / 48
4" IPS × 4" IPS	DR11 BLK 8300 w/30" SLV	6500308	24.38	4 / 48
4" IPS × 4" IPS	DR11 BLK 8300	6500318	18.80	4 / 48
6" IPS × 6" IPS	DR11 BLK 8100	6501145	45.83	4 / 24
6" IPS × 6" IPS	DR11 BLK 8300	6500576	67.50	1 / 9
8 IPS × 8" IPS	DR11 BLK 8100	6501082	93.80	1 / 9
8 IPS × 8" IPS	DR11 BLK 8300	6500629	127.50	1 / 9
10" IPS × 10" IPS	DR11 BLK 8100	6501083	170.00	1 / 3
10" IPS × 10" IPS	DR11 BLK 8300	6500642	170.00	1 / 3
12" IPS × 12" IPS	DR11 BLK 8300	6500500	241.60	1 / 2

Protective sleeves are available on request.

Please call for sizes and prices.

For transition fittings larger than 12" call for availability and pricing.

Weld-End Transition Fittings: with PE3408/PE4710 Oil Field Pipe



WELD END TRANSITIONS: w/PE3408/PE4710 OILFIELD PIPE

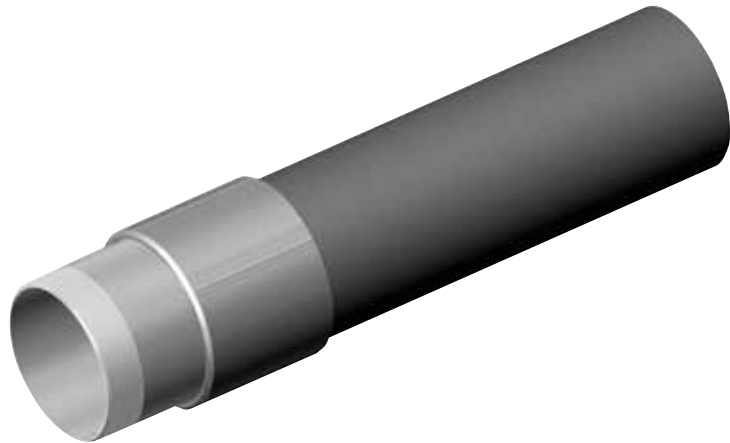
Size	Description	Part Number	Wt.	Standard Pack Box / Pallet
2" IPS x 2" IPS	DR 17 BLK	10003408	5.05	16 / 192
2" IPS x 2" IPS	DR 17 BLK	650020200800	5.35	16 / 192
2" IPS x 2" IPS	DR 9 BLK	10003343	5.95	16 / 192
2" IPS x 2" IPS	DR 7 BLK	650020200820	5.65	16 / 192
3" IPS x 3" IPS	DR 17 BLK	10003409	13.55	5 / 60
3" IPS x 3" IPS	DR 11 BLK	650030300810	13.75	5 / 60
3" IPS x 3" IPS	DR 9 BLK	10003347	13.85	5 / 60
3" IPS x 3" IPS	DR 7 BLK	650030300830	13.95	5 / 60
4" IPS x 4" IPS	DR 17 BLK	10003410	18.50	4 / 48
4" IPS x 4" IPS	DR 11 BLK	650040400810	18.96	4 / 48
4" IPS x 4" IPS	DR 9 BLK	10003350	19.52	4 / 48
4" IPS x 4" IPS	DR 7 BLK	650040400830	20.08	4 / 48
6" IPS x 6" IPS	DR 17 BLK	10003411	44.00	1 / 24
6" IPS x 6" IPS	DR 11 BLK	650060600810	48.60	1 / 24
6" IPS x 6" IPS	DR 7 BLK	6500004	53.14	1 / 24
8" IPS x 8" IPS	DR 11 BLK	650080800810	96.00	1 / 9
8" IPS x 8" IPS	DR 7 BLK	10002458	100.41	1 / 3
10" IPS x 10" IPS	DR 11 BLK	650101000810	152.20	1 / 3
12" IPS x 12" IPS	DR 11 BLK	650888800810	242.80	1 / 2

Protective sleeves are available on request.

Please call for sizes and prices.

For transition fittings larger than 12" call for availability and pricing.

Threaded External Coated Transitions: with PE2406/PE2708 Gas Pipe



THREADED EXTERNAL COATED TRANSITIONS: W/PE2406/PE2708 GAS PIPE

Size	Description	Part Number	Wt.	Box / Pallet
½" MPT × ½" CTS	.090 YEL	6500064	0.74	36 / 1296
½" MPT × ½" IPS	DR 9.3 YEL	6500644	0.78	36 / 1296
¾" IPS × ½" CTS	.090 YEL	6500563	0.87	36 / 1296
¾" IPS × ¾" IPS	DR 11 YEL	6500546	0.87	36 / 1296
1" MPT × ¾" IPS	DR 11 YEL	10000290	1.24	25 / 900
1" MPT × 1" CTS	.099 YEL	6500652	1.24	25 / 900
1" MPT × 1" IPS	DR 11 YEL	6500564	1.38	25 / 900
1" MPT × 1¼" IPS	DR 10 YEL	650011210000	2.09	16 / 576
1¼" MPT × 1¼" IPS	DR 10 YEL	6500565	1.84	16 / 576
1½" MPT × 1½" IPS	DR 11 YEL	6500566	2.44	12 / 432
2" MPT × 2" IPS	DR 11 YEL	6500561	2.95	16 / 480
3" MPT × 3" IPS	DR 11.5 YEL	6500567	7.98	4 / 144
4" MPT × 4" IPS	DR 11.5 YEL	6500562	11.75	4 / 120
6" MPT × 6" IPS	DR 11.5 YEL	650060610000	36.00	1 / 24

Protective sleeves are available on request.

Please call for sizes and prices.

For larger transition fittings call for availability and pricing.

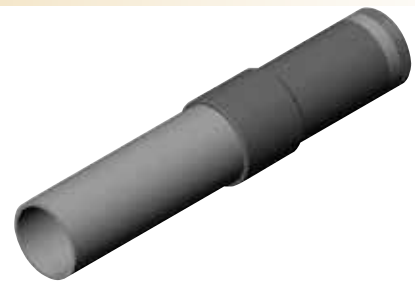
Threaded External Coated Transitions: with PE3408/PE4710 Pipe



THREADED EXTERNAL COATED TRANSITIONS: W/PE3408/PE4710 PIPE

Size	Description	Part Number	Wt.	Box / Pallet
1" MPT x 1" IPS	DR 11 BLK	650010110800	1.23	25 / 900
1" MPT x 1¼" IPS	DR 11 BLK	6500214	1.80	16 / 576
1¼" MPT x 1¼" IPS	DR 7 BLK	10003221	1.95	16 / 576
1¼" MPT x 1¼" IPS	DR 11 BLK	6500062	1.94	16 / 576
1½" MPT x 1½" IPS	DR 11 BLK	6501152	2.45	12 / 432
2" MPT x 2" IPS	DR 11 BLK	650020210800	3.00	16 / 480
2" MPT x 2" IPS	DR 7 BLK	650020210820	4.00	16 / 480
3" MPT x 3" IPS	DR 11 BLK	650030310810	4.24	4 / 144
3" MPT x 3" IPS	DR 7 BLK	6500020	8.64	4 / 144
4" MPT x 4" IPS	DR 11 BLK	650040410810	11.67	4 / 120
6" MPT x 6" IPS	DR 11 BLK	650060610810	35.75	1 / 24
8" MPT x 8" IPS	DR 11 BLK	6501214	81.00	1 / 9

Threaded Internal Coated Transitions: with PE3408 OilField Pipe



THREADED INTERNAL COATED TRANSITIONS: W/PE3408 OILFIELD PIPE

Size	Description	Part Number	Wt.	Box / Pallet
¾" MPT x ¾" IPS	DR 11 BLK	650757511100	0.86	36 / 1296
1" MPT x 1" IPS	DR 11 BLK	650010111800	1.22	25 / 900
1" MPT x 1" IPS	DR 9 BLK	6501028	1.26	25 / 900
1¼" MPT x 1¼" IPS	DR 11 BLK	650121211810	1.95	16 / 576
1½" MPT x 1½" IPS	DR 11 BLK	6501155	2.41	12 / 432
2" MPT x 2" IPS	DR 11 BLK	650020211800	3.00	16 / 480
2" MPT x 2" IPS	DR 7 BLK	650020211820	3.24	16 / 480
2" MPT x 2" IPS	DR 9 BLK	10003306	3.35	16 / 480
3" MPT x 3" IPS	DR 11 BLK	650030311810	8.19	4 / 144
3" MPT x 3" IPS	DR 7 BLK	650030311830	8.64	4 / 144
3" MPT x 3" IPS	DR 9 BLK	10003283	8.25	4 / 144
4" MPT x 4" IPS	DR 11 BLK	650040411810	11.75	4 / 120
4" MPT x 4" IPS	DR 7 BLK	650040411830	13.01	4 / 120
6" MPT x 6" IPS	DR 11 BLK	650060611810	36.00	1 / 24

Protective sleeves are available on request.

Please call for sizes and prices.

For larger transition fittings call for availability and pricing.

Flange Transition Fittings: with PE2406/PE2708 Pipe



FLANGED TRANSITIONS: PE2406/PE2708 Pipe

Size	Description	Part Number	Wt.	Box / Pallet
2" IPS x 2" IPS	DR 11 YEL	6500829	7.61	4 / 120
3" IPS x 3" IPS	DR 11.5 YEL	650030330000	14.50	2 / 60
4" IPS x 4" IPS	DR 11.5 YEL	650040430000	21.50	1 / 12
6" IPS x 6" IPS	DR 11.5 YEL	650060630000	49.00	1 / 12
8" IPS x 8" IPS	DR 13.5 YEL	6501193	94.50	1 / 9
12" IPS x 12" IPS	DR 11.5 YEL	6501197	228.50	1 / 2

Victaulic Transition Fittings: with PE3408 Pipe



VICTAULIC TRANSITIONS: PE3408 Pipe

Size	Description	Part Number	Wt.	Box / Pallet
2" IPS x 2" IPS	DR 11 BLK	650020221800	3.00	16 / 480
2" IPS x 2" IPS	DR 7 BLK	650020221820	3.31	16 / 480
3" IPS x 3" IPS	DR 11 BLK	650030321810	8.15	4 / 144
3" IPS x 3" IPS	DR 7 BLK	650030321830	8.60	4 / 144
4" IPS x 4" IPS	DR 11 BLK	650040421810	11.98	4 / 120
4" IPS x 4" IPS	DR 7 BLK	6500094	13.30	4 / 120
6" IPS x 6" IPS	DR 11 BLK	650060621810	37.14	1 / 24
8" IPS x 8" IPS	DR 11 BLK	6500015	81.00	1 / 9

Protective sleeves are available on request.

Please call for sizes and prices.

For larger transition fittings call for availability and pricing.

Risers and Transitions: Brass and Stainless Transition Fittings

The Georg Fischer Central Plastics line of Stainless and Brass Transition Fittings follow the same quality criteria as the standard carbon steel transition fittings. These fittings are designed to meet the rigorous demands of the municipal and industrial marketplace. All Brass & Stainless Transitions are tested to meet or exceed ASTM D2513 Category 1 and ASTM F1973. This testing ensures that the Steel to PE or the Brass to PE joint is many times stronger than the PE pipe onto which it is connected.

Transition Features

- PE to Steel transition joint is many times stronger than the PE pipe.
- Compression design effectively resists pullout.
- No-weld design on brass and stainless transitions.
- Minimum shear points.
- Meets all requirements for a true Category 1 mechanical joint.
- Brass transition is tested to AWWA C906 requirements

Available Options

- Transition Types
 - Threaded Stainless Steel (¾"–2")
 - Threaded Brass (¾"–2")

Testing and Compliance

All GF Central Plastics transition fittings meet or exceed the following applicable standards and are subjected to an extensive testing program to ensure consistent performance in the field that is safe, robust and reliable.

Applicable Testing

- Sustained Pressure Test per ASTM D1598
- ASTM D2513 Category I
- Temperature Cycling Test
- Leak Test per ASTM E515
- Tensile Pull Test per ASTM D638
- Constant Tensile Load Test per ASTM F1588
- Minimum Hydrostatic Burst Pressure³ Test per ASTM D1599



Brass Transition Fitting

Technical Standards and Specifications

- Meets or exceeds the following applicable standards
 - DOT Code of Federal Regulations
 - Title 49 Part 192
 - ASTM D2513 CAT. 1 (where applicable)
 - ASTM D638
 - Threads per ANSI B1.20.1
- Brass Adapter Insert
Brass 360 Alloy
- Compression Ring
Stainless 304 standard
Stainless 316 available



Required Testing

1. Transition joint integrity meets or exceeds the requirements of ASTM D2513 Category 1 and the Code of Federal Regulations, Title 49 Part 192, where applicable.
2. All threads are produced per ANSI B1.20.1.
3. All PE pipe meets or exceeds ASTM D2513.

BRASS TRANSITIONS

Size	Description	Part Number	Wt.	Box / Pallet
¾" MPT × ¾" IPS	DR 11 BLK PE3408	10003439	0.48	50 / 2400
1" MPT × 1¼" IPS	DR 11 BLK PE3408	10003441	0.55	30 / 1440
1¼" MPT × 1¼" IPS	DR 11 BLK PE3408	10003443	0.95	20 / 960
1½" MPT × 1½" IPS	DR 11 BLK PE3408	10003445	1.47	15 / 720
2" MPT × 2" IPS	DR 11 BLK PE3408	10003447	2.04	10 / 480

Protective sleeves are available on request.
Please call for sizes and prices.
For larger transition fittings call for availability and pricing.

Stainless Steel Transition Fitting

Technical Standards and Specifications

- Meets or exceeds the following applicable standards;
 - DOT Code of Federal Regulations
 - Title 49 Part 192
 - ASTM D2513 CAT. 1 (where applicable)
 - ASTM D638
 - Threads per ANSI B1.20.1
- Stainless Steel Adapter Insert
 - Stainless 304 standard
 - Stainless 316 available
- Compression Ring
 - Stainless 304 standard
 - Stainless 316 available

Required Testing

1. Transition joint integrity meets or exceeds the requirements of ASTM D2513 Category 1 and the Code of Federal Regulations, Title 49 Part 192, where applicable.
2. All threads are produced per ANSI B1.20.1.
3. All PE pipe meets or exceeds ASTM D2513.



STAINLESS TRANSITIONS

Size	Description	Part Number	Wt.	Box / Pallet
¾" MPT × ¾" IPS	DR 11 BLK PE3408	6501229	0.48	50 / 2400
1" MPT × 1¼" IPS	DR 11 BLK PE3408	6501231	0.48	30 / 1440
1¼" MPT × 1¼" IPS	DR 11 BLK PE3408	6501232	0.75	20 / 960
1½" MPT × 1½" IPS	DR 11 BLK PE3408	6501230	1.14	15 / 720
2" MPT × 2" IPS	DR 11 BLK PE3408	6501233	2.00	10 / 480

Protective sleeves are available on request.

Please call for sizes and prices.

For larger transition fittings call for availability and pricing.

Category 3 Transitions: Overview

The low-cost alternative from the leader in Transition Solutions

Category 3 transitions are designed to provide a full pressure seal plus a pipe restraint rating equivalent to the anticipated thermal stresses occurring in a pipeline.

Features and Benefits

- Qualified to ASTM D2513 Category 3 standards
- ID fully lined with HDPE for total corrosion protection
- Available in stainless steel, bronze, and epoxy-coated steel
- Threaded and victaulic connections

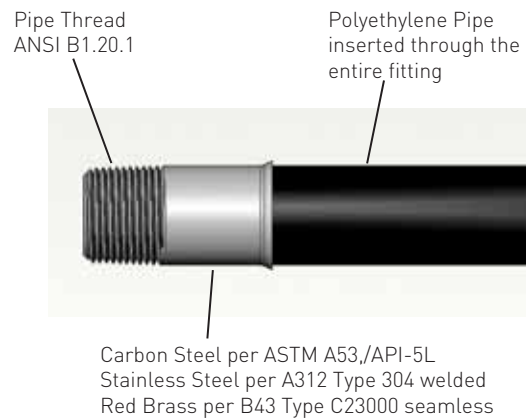
Applications

- Landfill
- Dredging
- Waste water
- Process lines
- Irrigation
- Salt water disposal
- Mining
- Geothermal
- Oil and gas gathering

(Not suitable for gas distribution)

All transition fittings have been tested to meet or exceed the following requirements:

- ASTM D1598
- ASTM D1500
- ASTM D1638
- ASTM E515
- CSA Z245.20



Category 3 Transitions: with PE3408/PE3608 Pipe



CATEGORY 3 STAINLESS STEEL TRANSITIONS: w/PE3408/PE3608 PIPE

Size	Description	Part Number	Wt.	Box Qty
¾" MPT × ¾" IPS	DR 11 BLK	10009012	0.15	50
1" MPT × 1" IPS	DR 11 BLK	10009013	0.23	50
1¼" MPT × 1¼" IPS	DR 11 BLK	10009014	0.37	50
1½" MPT × 1½" IPS	DR 11 BLK	10009015	0.46	50
2" MPT × 2" IPS	DR 11 BLK	10009016	1.2	50
3" MPT × 3" IPS	DR 11 BLK	10009017	3.12	10
4" MPT × 4" IPS	DR 11 BLK	10009018	5.83	6

CATEGORY 3 BRASS TRANSITIONS: w/PE3408/PE3608 PIPE

Size	Description	Part Number	Wt.	Box Qty
¾" MPT × ¾" IPS	DR 11 BLK	10009019	0.17	50
1" MPT × 1" IPS	DR 11 BLK	10009020	0.26	50
1¼" MPT × 1¼" IPS	DR 11 BLK	10009021	0.41	50
1½" MPT × 1½" IPS	DR 11 BLK	10009022	0.5	50
2" MPT × 2" IPS	DR 11 BLK	10009023	1.32	50
3" MPT × 3" IPS	DR 11 BLK	10009024	3.42	10
4" MPT × 4" IPS	DR 11 BLK	10009025	6.38	6

CATEGORY 3 CARBON STEEL TRANSITIONS: w/PE3408/PE3608 PIPE

Size	Description	Part Number	Wt.	Box Qty
¾" MPT × ¾" IPS	DR 11 BLK	10009026	0.15	50
1" MPT × 1" IPS	DR 11 BLK	10009027	0.23	50
1¼" MPT × 1¼" IPS	DR 11 BLK	10009028	0.37	50
1½" MPT × 1½" IPS	DR 11 BLK	10009029	0.46	50
2" MPT × 2" IPS	DR 11 BLK	10009030	1.2	50
3" MPT × 3" IPS	DR 11 BLK	10009031	3.12	10
4" MPT × 4" IPS	DR 11 BLK	10009032	5.83	6

Protective sleeves are available on request.

Please call for sizes and prices.

For larger transition fittings call for availability and pricing.

Geothermal Transitions: Socket Fusion Couplings

Socket PE3408/PE4710



GEOHERMAL TRANSITIONS MALE THREAD: PE3408/PE4710

Size	Description	Part Number	Wt.	Box Qty
¾" MPT × 1" IPS	SOCKET BLK	10009075	0.41	50
¾" MPT × ¾" IPS	SOCKET BLK	10008462	0.4	50
¾" MPT × 1¼" IPS	SOCKET BLK	10008461	0.44	50
1" MPT × 1" IPS	SOCKET BLK	10008463	0.66	40
1" MPT × 1¼" IPS	SOCKET BLK	10008472	0.71	25
1¼" MPT × 1¼" IPS	SOCKET BLK	10008464	0.86	25
1½" MPT × 1½" IPS	SOCKET BLK	10008465	1.13	20
2" MPT × 2" IPS	SOCKET BLK	10008466	1.9	15

GEOHERMAL TRANSITIONS FEMALE THREAD: PE3408/PE4710

Size	Description	Part Number	Wt.	Box Qty
½" FPT × ¾" IPS	SOCKET BLK	10008467	0.28	50
¾" FPT × ¾" IPS	SOCKET BLK	10008468	0.39	50
¾" FPT × 1" IPS	SOCKET BLK	10010081	0.42	50
1" FPT × 1" IPS	SOCKET BLK	10008469	0.61	40
1¼" FPT × 1¼" IPS	SOCKET BLK	10008470	0.78	25
1½" FPT × 1½" IPS	SOCKET BLK	10008471	1.26	15

GEOHERMAL TRANSITIONS MALE THREAD 90 ELBOW: PE3408/PE4710

Size	Description	Part Number	Wt.	Box Qty
1" MPT × 1" IPS	SOCKET BLK	10009460	0.71	40
1¼" MPT × 1¼" IPS	SOCKET BLK	10009461	1	25

Please call for sizes and prices.
For larger transition fittings call for availability and pricing.

Specialty Transition Fittings

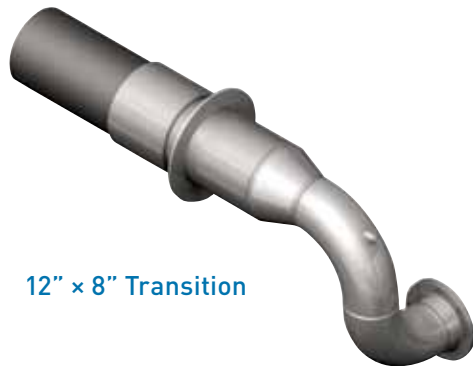
The extensive production capabilities at Georg Fischer Central Plastics allow us to help you design and build one-of-a-kind Transition Fittings capable of performing your most challenging task. Call us today with a design of your own or talk to us about your specific application needs and we will design a Transition Fitting for you that will meet your specified needs.



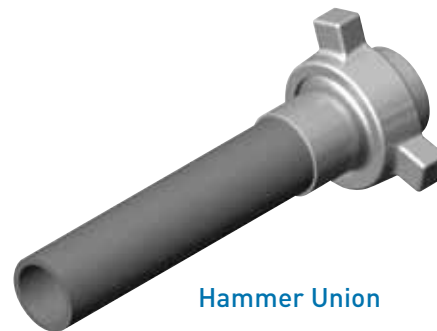
12" Transition



16" Transition



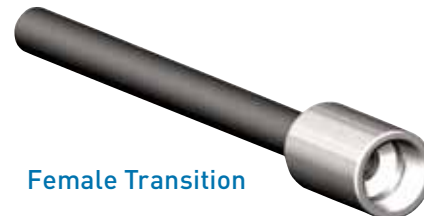
12" x 8" Transition



Hammer Union

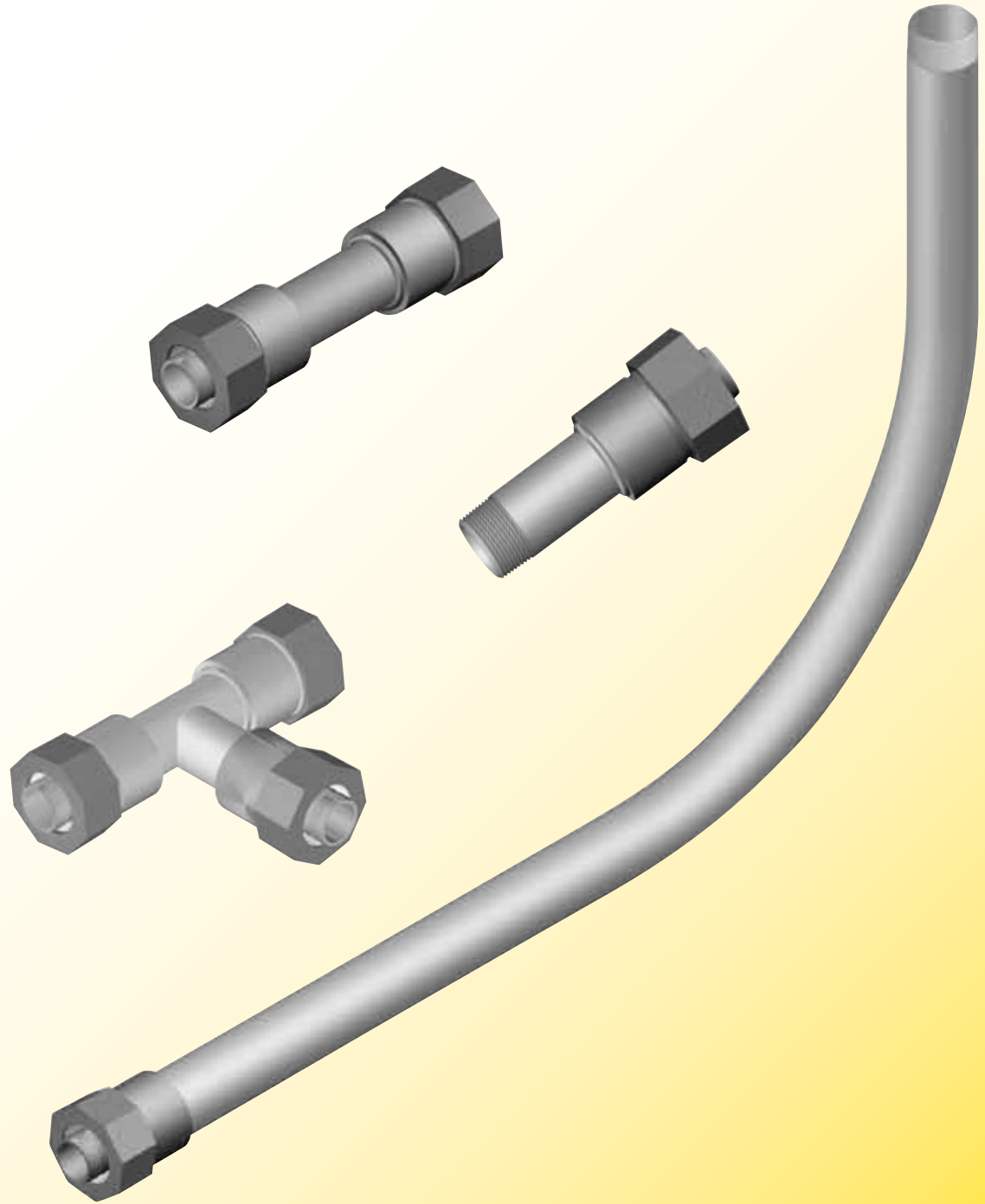


Pulling Head



Female Transition

Couplings
Tees
Male Adapters
Risers



Steel Mechanical Fittings

The Right Connection

+GF+

1-800-654-3872

1-405-273-6302

www.centralplastics.com



Steel Mechanical Fittings: Overview

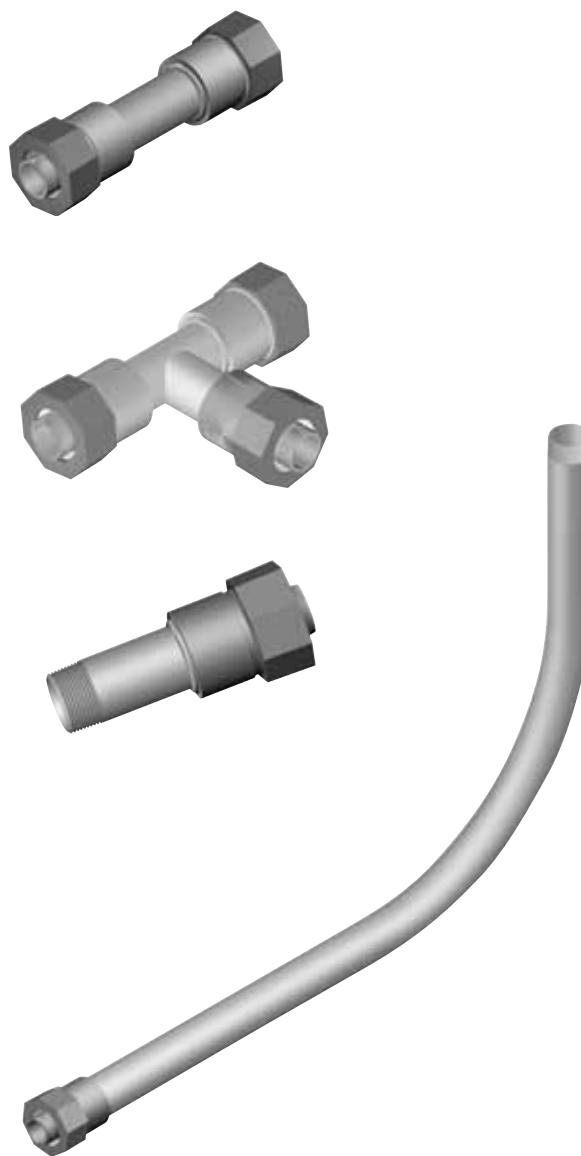
Since 1978, Georg Fischer Central Plastics has been providing the polyethylene piping industry with a line of steel compression fittings that offer a safe and simple method of connecting and transitioning PE pipe to steel pipe. Compression Risers offer the ability to transition PE piping from a below-ground application to an above-ground piping system. Compression fittings allow the user to connect and/or transition PE to steel without the need for fusion equipment.

These fittings have been safely and effectively used in Natural Gas Plumbing, Pool and Spa applications, Oilfield, Oil and Gas Gathering and LP FGs markets.

Proper installation of these fittings provide a mechanical joint that is stronger than the PE pipe itself. Compression Fittings can be selected from a group of standard items or can be manufactured to meet the customer's specific requirements. A wide variety of options ensures that the customers needs are fully met.

Features and Benefits

- One piece design, no loose parts
- "Built-In" floating stiffener
- All products are protected with an electrostatically-applied fusion-bonded epoxy powder coating specifically designed for the exterior of gas petroleum pipelines.
- The steel-to-PE mechanical joint is stronger than the PE pipe
- Can be supplied with anode connectors and anodes
- Meets the requirements of ASTM D2513 – Category 1
- Recommended for use in connecting polyethylene pipes



Steel Mechanical Fittings: Overview

Available Options

- Custom Dimensions
 - Custom Vertical Range 15" to 52"
 - Custom Horizontal Range 15" to 40"
 - Inlet PE Pipe ½" CTS to 2" IPS
 - Outlet Steel Size ½" IPS to 2" IPS
- Other Options
 - Tracer Wire Connectors
 - Factory Installed Gas Valve
 - UV Protection Sleeves
 - Attached Anodes

Testing and Compliance

All Georg Fischer Central Plastics Compression Risers meet or exceed the following applicable standards and are subjected to an extensive testing program to ensure consistent performance in the field that is safe, robust and reliable.

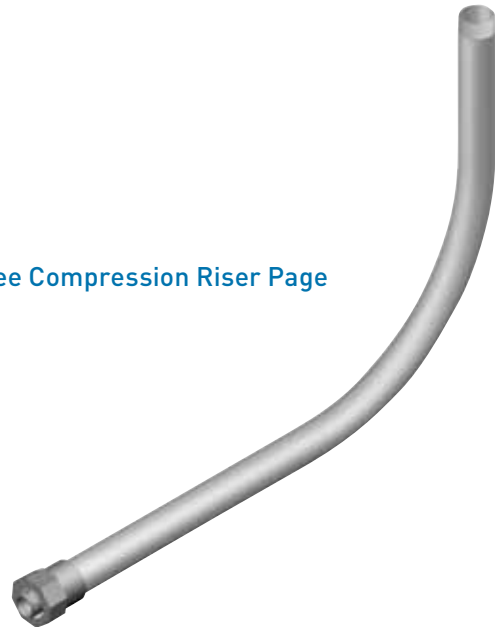
Meets or Exceeds Applicable Standards

- DOT Code of Federal Regulations Title 49 Part 192
- ASTM F1973 – 99
- NFPA 58 -1992
- ASTM D2513 Category 1
- Listed with IAPMO/UPC
- Steel Gas Carrier - ASTM A53 / API 5L
- Pipe Threads - ANSI B1.20.1
- Buna O-Ring Seal - ASTM D2000

Protective Coating

- Steel Case – ASTM A513 & ASTM A53
- Protective Coating Specs – ASTM A513 or A53
 - Cathodic Disbondment – ASTM G8-90
 - Salt Spray (Fog) – ASTM B117-85
 - Impact Resistance – ASTM G14-88
 - 8 mil minimum thickness

[Also see Compression Riser Page](#)



GF Central's Commitment to Corrosion Control Techniques

Summary of Corrosion Control Techniques for Metal Compression Fittings

It is a well-known fact in the industry of applying functional coatings, that the performance of a coating is significantly influenced by its ability to adhere properly to the substrate material. The single most important factor that determines the performance of the coating is the preparation of the surface to which the protective coating is applied. For all intents and purposes, it does not matter what type of protective coating is applied (i.e. powder coating, paint, or plating); without proper surface preparation, the expected results performance requirements will not be achieved.

The following is a list of quotations that were made by various representatives throughout the coating industry:

- "The quickest way to achieve paint failure is improper surface preparation."
- "Over 80% of all paint failures can be attributed to poor or improper surface preparation."
- "A paint job is only as good as the surface (and its preparation) to which it is applied."
- "Failure of coatings in service with problems such as corrosion and blistering are nearly always caused by inadequate pretreatment and surface preparation."
- "Proper surface preparation is often the most costly... over half the cost of paint application."

In order to eliminate this major concern, Georg Fischer Central Plastics utilizes the following methods for surface preparation.

- Mechanical Cleaning - Grit Blasted - NACE "Near White" Condition or SSPC SP-9 - Surface Profile of 2.0 to 3.5 MILS

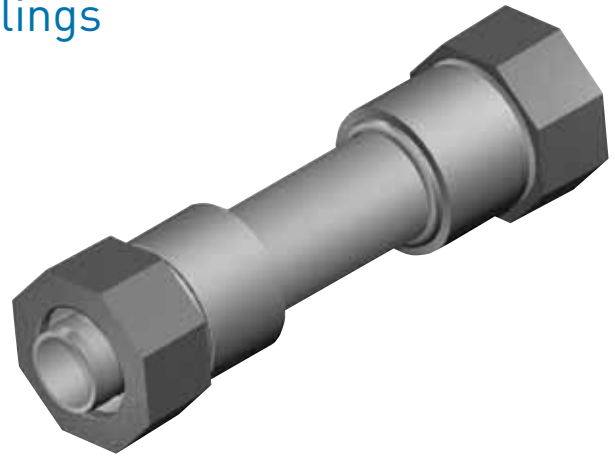
- 4 Stage Wash System utilizing a surface conversion coating
- Pre-heat system prior to coating to ensure any remaining contamination is removed.
- Fully automated application equipment to ensure no contamination is introduced back onto the surface of the part after the cleaning processes have been completed.

Application Process

All coatings are applied using a fully automated electrostatic coating system. The powders that can be applied are Fusion-Bonded Epoxy and Fusion-Bonded Polyester. Polyester provides excellent resistance to atmospheric corrosion, plus it has UV stabilizers that allow the coating to maintain its appearance. Fusion-bonded epoxy is generally used for anodeless risers due to its excellent resistance to corrosion. Epoxy does not have UV stabilizers added; therefore, it is generally used in applications where the product is to be buried.

Georg Fischer Central has the ability to apply a multi-layer coating of epoxy and polyester. This combination provides the metal product with an epoxy base exhibiting exceptional corrosion resistance and a top coat with outstanding UV stabilization characteristics.

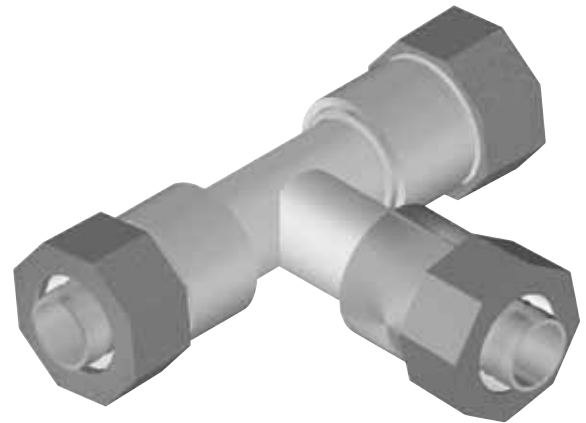
Steel Mechanical Fittings: Couplings



COMPRESSION COUPLINGS

Size	Description	Part Number	Wt.	Box/Pallet
¾" IPS	DR 11 EXT Coating	10000507	3.04	16 / 576
1" IPS	DR 11 EXT Coating	10000508	3.58	15 / 540
1¼" IPS	DR 11 EXT Coating	10000509	4.95	10 / 360
1½" IPS	DR 11 EXT Coating	10000445	7.78	5 / 300
2" IPS	DR 11 EXT Coating	10000446	12.42	3 / 180

Steel Mechanical Fittings: Tees



COMPRESSION TEES

Size	Description	Part Number	Wt.	Box/Pallet
¾" IPS	DR 11 EXT Coating	10000490	4.58	10 / 360
1" IPS	DR 11 EXT Coating	10000493	5.40	10 / 300
1¼" IPS	DR 11 EXT Coating	10000487	7.38	6 / 216
1½" IPS	DR 11 EXT Coating	10000496	12.06	4 / 120
2" IPS	DR 11 EXT Coating	10000499	19.50	2 / 60

Call for availability of other sizes and dimensions.

Steel Mechanical Fittings: Male Adapters



Call for availability of other sizes and dimensions.

COMPRESSION MALE ADAPTERS

Size	Description	Part Number	Wt.	Box/Pallet
1/2" MPT x 1/2" IPS	DR 9.3 EXT Coating	660505000000	1.35	35 / 1260
3/4" MPT x 3/4" IPS	DR 11 EXT Coating	660757500000	1.68	35 / 1260
1" MPT x 1" CTS	.099 EXT Coating	660011100000	1.68	25 / 900
1" MPT x 1" IPS	DR 11 EXT Coating	660010100000	2.06	25 / 900
1" MPT x 1 1/4" IPS	DR 10 EXT Coating	660011200000	2.70	18 / 648
1 1/4" MPT x 1 1/4" IPS	DR 10 EXT Coating	660121200000	2.79	20 / 960
1 1/2" MPT x 1 1/2" IPS	DR 11 EXT Coating	10002388	4.28	10 / 600
2" MPT x 2" MPT	DR 11 EXT Coating	10002389	6.73	6 / 216

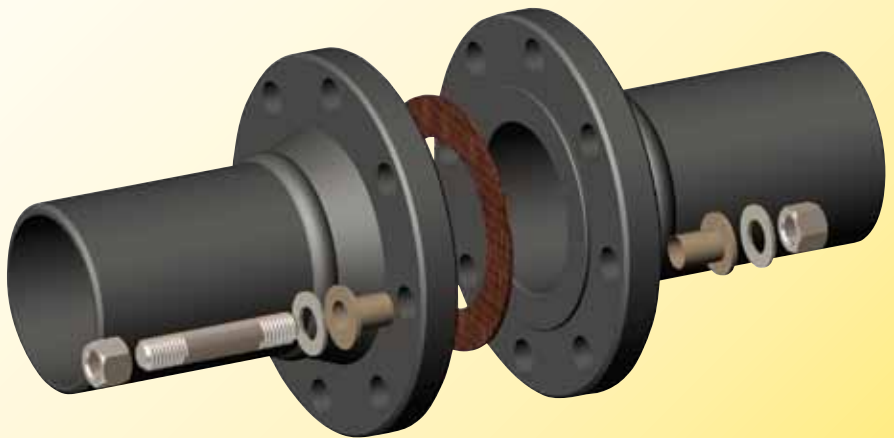
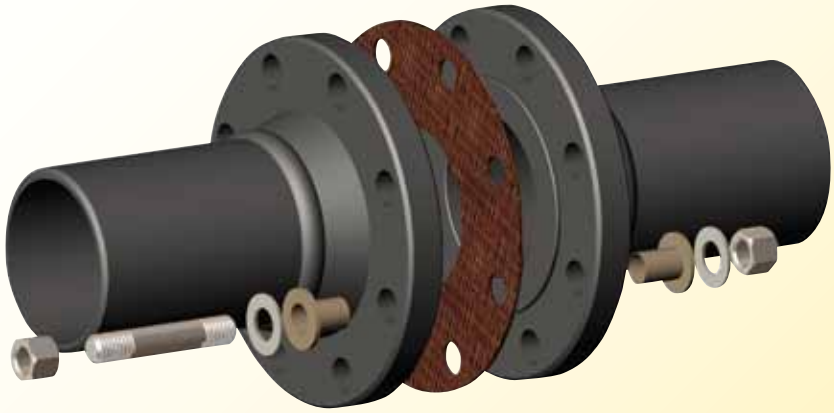
Steel Mechanical Fittings: Risers



COMPRESSION RISERS

Size	Description	Part Number	Wt.	Box/Pallet
1/2" MPT x 1/2" IPS	24V x 36H	610505024000	4.66	10 / 140
3/4" MPT x 3/4" IPS	24V x 30H	10003247	5.80	8 / 112
3/4" MPT x 3/4" IPS	24V x 36H	610757524000	5.80	8 / 112
3/4" MPT x 3/4" IPS	36V x 24H	610757536000	5.80	8 / 112
1" MPT x 1" IPS	36V x 24H	610010124000	8.38	6 / 84
1" MPT x 1" IPS	30V x 30H	6100020	8.38	6 / 84
1" MPT x 1" IPS	36V x 24H	610010136000	8.38	6 / 84
1" MPT x 1 1/4" IPS	36V x 24H	61001123600	8.96	6 / 84
1 1/4" MPT x 1 1/4" IPS	36V x 24H	610121224000	11.35	5 / 70
1 1/4" MPT x 1 1/4" IPS	30V x 30H	10003254	11.35	5 / 70
1 1/4" MPT x 1 1/4" IPS	36V x 24H	610121236000	11.35	5 / 70
1 1/2" MPT x 1 1/2" IPS	24V x 36H	10002381	13.98	4 / 56
1 1/2" MPT x 1 1/2" IPS	30V x 30H	10003248	13.98	4 / 56
1 1/2" MPT x 1 1/2" IPS	36V x 24H	10002382	13.98	4 / 56
2" MPT x 2" IPS	24V x 36H	10002384	19.58	2 / 28
2" MPT x 2" IPS	30V x 30H	10003249	19.58	2 / 28
2" MPT x 2" IPS	36V x 24H	10002385	19.58	2 / 28

Gaskets
Gasket & Washer Kits
O-Ring Gaskets
Sleeves & Washers



Flange Insulation Products

The Right Connection

+GF+

1-800-654-3872
1-405-273-6302

www.centralplastics.com



Flange Connection Insulation: Overview

Flange Insulation

Gaskets are used to create a static compression seal between two stationary members of a mechanical assembly and to maintain that seal under operating conditions which may vary dependent upon changes in pressures and temperatures. In 1960, Georg Fischer Central Plastics Company made the decision to offer a broader range of isolation products into the cathodic protection industry.

GF Central Plastics Flange Insulation Gaskets and Insulation Kits are used throughout the world and in numerous industry specific applications. Our Gaskets and Flange Insulation Kits have a proven track record of being one of the most effective and reliable products for controlling and maintaining the integrity of piping systems ever under the most demanding conditions.

Gaskets are available individually or in kits. Gasket material includes Nitrile-Face, Plain Phenolic, G10 and Durlon. Sleeve material includes Mylar, Polyethylene, Minton, or Nomex. Washer materials include Phenolic, Steel, G3, G7 or G10 available as a single washer and sleeve kit, a one piece washer kit, a double washer kit or a one piece double washer kit (Minton).

Gasket Types

Type E – Full Face Gaskets

Full face gaskets completely cover the flange face from flange bed to outside diameter. Full face gaskets are used on flat faced flanges, however, can be used with a raised flat face flange to eliminate debris building up in raised area causing a short.



Type F – Ring Gasket

Ring Gaskets are designed to set inside the bolt circle and are most commonly used with raised face flanges.



Type D – Ring Type Joint (RTJ)

The RTJ is an oval phenolic gasket designed to work specifically with RTJ grooved Flanges. RTJ gaskets are sized by R-number.



Flange Connection Insulation: Overview

Type D – BX

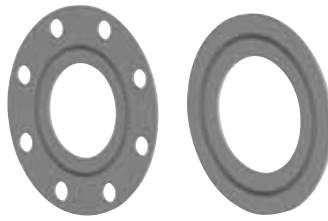
BX gaskets are an octagonal shape phenolic gasket designed to work specifically with a BX grooved flange. BX gaskets are machined from phenolic tubing; therefore, the gas pressure would be perpendicular to the grain, allowing the gasket to withstand pressures up to 15,000 PSI.



“Jock” O-Ring Type

The “Jock” O-Ring gasket can be a full face (Type E) or ring gasket (Type F) configuration. The “Jock” has a high-energy O-Ring elastomer seal that compresses and expands to fill any voids as the flange is tightened. The totally encapsulated sealing element prevents gasket blow-out. The O-Ring provides a positive, constant seal with zero environmental leakage. Complete contact of flange and retainer prevents fire failure and reduces exposure of the seal to service fluids and environment. The confined O-Ring seal allows zero “m” and “y” factors to be achieved. Available in Nitrile or Viton seal materials.

On special request, the “Jock” gasket can replace most sizes of RTJ and BX gaskets. With the versatility of changing the sealing element or the retainer material, the 2” and larger “Jock” gaskets can be utilized in most any application.



Insulating Washers

Georg Fischer Central’s standard insulating washers are manufactured from CE Phenolic. The maximum operating temperature is approximately 225°F with a compression strength of 36,400 PSI and a dielectric strength of 300 VPM. Our G3 and G7 high temperature insulating washers have a maximum operating temperature of 450°F.

Insulating Sleeves

GF Central offers insulating sleeves in a variety of materials. Our most standard include Mylar, High Density Polyethylene, and Nomex. They are designed to easily be inserted in the bolt hole, leaving ample room for the bolt, even when the bolt holes are misaligned. The wall thickness is 1/32” and can be provided for bolt sizes from 1/2” to 3 1/2”.

Molded One-Piece Sleeve & Washer

The one-piece sleeve and washer reduces handling (many loose parts) and make-up problems in the field. One glance and an inspector can easily tell if the flange has been properly insulated. A Minlon material should be used because of its high compression strength and superior toughness. A one-piece sleeve and washer is most generally used for one-side flange insulation in that we mold it in a sleeve length, that is on an average, significantly longer than the thickness of a single flange. They can be cut to size for two-side insulation. For bolt sizes 1/2”–1 1/4” the maximum operating temperature is 250°F, dielectric strength 420 VPM and compression strength 19,000 PSI.

How to Order Flange Insulation Kits

When talking to your Customer Service Representative, please provide the following information so we can ensure that you are receiving the product that you need:

- Quantity
- Pipe Size (Nominal)
- Pressure Rating (ANSI/ASME, DIN, API and AWWA)
- Gasket Type (Type E or, Type F, RTJ or BX - see below)
- Retainer Material
- Sealing Element
- Single or Double Washer Sets (SW or DW)
- Sleeve Material

Type E Gaskets perfectly center on precisely located bolt holes. Since their outside diameters are the same as the pipe flange diameter, foreign materials is prevented from “shorting” the flange insulation.

Type F Gaskets are made without bolt holes, to fit tightly inside the overall bolt hole circle of the flange faces. The outside diameter of the gasket fits tightly in place assuring a well centered position.

Mylar®, Nomex®, Minlon®, and Viton® are registered trademarks of E. I. du Pont de Nemours and Company

Durlon® is a registered trademark of Triangle Fluid Control Ltd.

Flange Insulation: Nitrile-Face and Plain Phenolic Gasket Kits – Type “E” (Full Face)



Single Washer Kits



Double Washer Kits



Pipe size	150				300				400				600				900				1500							
3/4"	P	N	PS	MS	P	N	PS	MS	P	N	PS	MS	P	N	PS	MS	P	N	PS	MS	P	N	PS	MS	P	N	PS	MS
1"	P	N	PS	MS	P	N	PS	MS	P	N	PS	MS	P	N	PS	MS	P	N	PS	MS	P	N	PS	MS	P	N	PS	MS
1 1/4"	P	N	PS	MS	P	N	PS	MS	P	N	PS	MS	P	N	PS	MS	P	N	PS	MS	P	N	PS	MS	P	N	PS	MS
1 1/2"	P	N	PS	MS	P	N	PS	MS	P	N	PS	MS	P	N	PS	MS	P	N	PS	MS	P	N	PS	MS	P	N	PS	MS
2"	P	N	JN	JV	P	N	JN	JV	P	N	JN	JV	P	N	JN	JV	P	N	JN	JV	P	N	JN	JV	P	N	JN	JV
2 1/2"	P	N	JN	JV	P	N	JN	JV	P	N	JN	JV	P	N	JN	JV	P	N	JN	JV	P	N	JN	JV	P	N	JN	JV
3"	P	N	JN	JV	P	N	JN	JV	P	N	JN	JV	P	N	JN	JV	P	N	JN	JV	P	N	JN	JV	P	N	JN	JV
3 1/2"	P	N	JN	JV	P	N	JN	JV	P	N	JN	JV	P	N	JN	JV												
4"	P	N	JN	JV	P	N	JN	JV	P	N	JN	JV	P	N	JN	JV	P	N	JN	JV	P	N	JN	JV	P	N	JN	JV
5"	P	N	JN	JV	P	N	JN	JV	P	N	JN	JV	P	N	JN	JV	P	N	JN	JV	P	N	JN	JV	P	N	JN	JV
6"	P	N	JN	JV	P	N	JN	JV	P	N	JN	JV	P	N	JN	JV	P	N	JN	JV	P	N	JN	JV	P	N	JN	JV
8"	P	N	JN	JV	P	N	JN	JV	P	N	JN	JV	P	N	JN	JV	P	N	JN	JV	P	N	JN	JV	P	N	JN	JV
10"	P	N	JN	JV	P	N	JN	JV	P	N	JN	JV	P	N	JN	JV	P	N	JN	JV	P	N	JN	JV	P	N	JN	JV
12"	P	N	JN	JV	P	N	JN	JV	P	N	JN	JV	P	N	JN	JV	P	N	JN	JV	P	N	JN	JV	P	N	JN	JV
14"	P	N	JN	JV	P	N	JN	JV	P	N	JN	JV	P	N	JN	JV	P	N	JN	JV	P	N	JN	JV	P	N	JN	JV
16"	P	N	JN	JV	P	N	JN	JV	P	N	JN	JV	P	N	JN	JV	P	N	JN	JV	P	N	JN	JV	P	N	JN	JV
18"	P	N	JN	JV	P	N	JN	JV	P	N	JN	JV	P	N	JN	JV	P	N	JN	JV	P	N	JN	JV	P	N	JN	JV
20"	P	N	JN	JV	P	N	JN	JV	P	N	JN	JV	P	N	JN	JV	P	N	JN	JV	P	N	JN	JV	P	N	JN	JV
22"	P	N	JN	JV	P	N	JN	JV	P	N	JN	JV	P	N	JN	JV												
24"	P	N	JN	JV	P	N	JN	JV	P	N	JN	JV	P	N	JN	JV	P	N	JN	JV	P	N	JN	JV	P	N	JN	JV
26"	P	N	JN	JV	P	N	JN	JV	P	N	JN	JV	P	N	JN	JV	P	N	JN	JV								
28"	P	N	JN	JV	P	N	JN	JV	P	N	JN	JV	P	N	JN	JV	P	N	JN	JV								
30"	P	N	JN	JV	P	N	JN	JV	P	N	JN	JV	P	N	JN	JV												
32"	P	N	JN	JV	P	N	JN	JV	P	N	JN	JV	P	N	JN	JV												
34"	P	N	JN	JV	P	N	JN	JV	P	N	JN	JV																
36"	P	N	JN	JV																								

Specifications for Flange Connection Insulation:

A.S.A Standard Gaskets: B16.21(4)

A.S.A. SERIES 15-150# CLASS

Flange Size	(Number) & Size of Bolts	Ring Gasket		Full Face Gasket O.D.	RTJ
		I.D.	O.D.		
1"	(4) 1/2"	1"	2 5/8"	4 1/4"	R-15
1 1/4"	(4) 1/2"	1 1/4"	3"	4 5/8"	R-17
1 1/2"	(4) 1/2"	1 1/2"	3 3/8"	5"	R-19
2"	(4) 5/8"	2"	4 1/8"	6"	R-22
2 1/2"	(4) 5/8"	2 1/2"	4 7/8"	7"	R-25
3"	(4) 5/8"	3"	5 3/8"	7 1/2"	R-29
3 1/2"	(8) 5/8"	3 1/2"	6 3/8"	8 1/2"	R-33
4"	(8) 5/8"	4"	6 7/8"	9"	R-36
5"	(8) 3/4"	5"	7 3/4"	10"	R-40
6"	(8) 3/4"	6"	8 3/4"	11"	R-43
8"	(8) 3/4"	8"	11"	13 1/2"	R-48
10"	(12) 7/8"	10"	13 3/8"	16"	R-52
12"	(12) 7/8"	12"	16 1/8"	19"	R-56
14"	(12) 1"	14"	17 3/4"	21"	R-59
16"	(16) 1"	16"	20 1/4"	23 1/2"	R-64
18"	(16) 1 1/8"	18"	21 5/8"	25"	R-68
20"	(20) 1 1/8"	20"	23 7/8"	27 1/2"	R-72
24"	(20) 1 1/4"	24"	28 1/4"	32"	R-76
30"	(28) 1 1/4"	30"	34 3/4"	38 3/4"	
36"	(32) 1 1/2"	36"	41 1/4"	46"	
42"	(36) 1 1/2"	42"	48"	53"	
48"	(44) 1 1/2"	48"	54 1/2"	59 1/2"	

A.S.A. SERIES 30-300# CLASS

Flange Size	(Number) & Size of Bolts	Ring Gasket		Full Face Gasket O.D.	RTJ
		I.D.	O.D.		
1"	(4) 5/8"	1"	2 7/8"	4 7/8"	R-16
1 1/4"	(4) 5/8"	1 1/4"	3 1/4"	5 1/4"	R-18
1 1/2"	(4) 3/4"	1 1/2"	3 3/4"	6 1/8"	R-20
2"	(8) 5/8"	2"	4 3/8"	6 1/2"	R-23
2 1/2"	(8) 3/4"	2 1/2"	5 1/8"	7 1/2"	R-26
3"	(8) 3/4"	3"	5 7/8"	8 1/4"	R-31
3 1/2"	(8) 3/4"	3 1/2"	6 1/2"	9"	R-34
4"	(8) 3/4"	4"	7 1/8"	10"	R-37
5"	(8) 3/4"	5"	8 1/2"	11"	R-41
6"	(12) 3/4"	6"	9 7/8"	12 1/2"	R-45
8"	(12) 7/8"	8"	12 1/8"	15"	R-49
10"	(16) 1"	10"	14 1/4"	17 1/2"	R-53
12"	(16) 1 1/8"	12"	16 5/8"	20 1/2"	R-57
14"	(20) 1 1/8"	13 1/4"	19 1/8"	23"	R-61
16"	(20) 1 1/4"	15 1/4"	21 1/4"	25 1/2"	R-65
18"	(24) 1 1/4"	17"	23 1/2"	28"	R-69
20"	(24) 1 1/4"	19"	25 3/4"	30 1/2"	R-73
24"	(24) 1 1/2"	23"	30 1/2"	36"	R-77
36"	(32) 2"	35"	44"	50"	R-98
42"	(36) 2"	41"	50 3/4"	57"	
48"	(40) 2"	47"	52 7/8"	65"	

A.S.A. SERIES 40-400# CLASS

Flange Size	(Number) & Size of Bolts	Ring Gasket		Full Face Gasket O.D.	RTJ
		I.D.	O.D.		
1"	(4) 5/8"	1"	2 7/8"	4 7/8"	R-16
1 1/4"	(4) 5/8"	1 1/4"	4 1/4"	5 1/4"	R-18
1 1/2"	(4) 3/4"	1 1/2"	3 3/4"	6 1/8"	R-20
2"	(8) 5/8"	2"	4 3/8"	6 1/2"	R-23
2 1/2"	(8) 3/4"	2 1/2"	5 1/8"	7 1/2"	R-26
3"	(8) 3/8"	3"	5 7/8"	8 1/4"	R-31
3 1/2"	(8) 7/8"	3 1/2"	6 3/8"	9"	R-34
4"	(8) 7/8"	4"	7"	10"	R-37
5"	(8) 7/8"	5"	8 3/8"	11"	R-41
6"	(12) 7/8"	6"	9 3/4"	12 1/2"	R-45
8"	(12) 1"	8"	12"	15"	R-49
10"	(16) 1 1/8"	10"	14 1/8"	17 1/2"	R-53
12"	(16) 1 1/4"	12"	16 1/2"	20 1/2"	R-57
14"	(20) 1 1/4"	13 1/8"	19"	23"	R-61
16"	(20) 1 3/8"	15"	21 1/8"	25 1/2"	R-65
18"	(24) 1 3/8"	17"	23 3/8"	28"	R-69
20"	(24) 1 1/2"	18 7/8"	25 1/2"	30 1/2"	R-73
24"	(24) 1 3/4"	22 5/8"	30 1/4"	36"	R-77

Wall thickness of sleeves: 1/32"

Thickness of Phenolic Washers: 1/8"

Wall thickness of Washer on Nylon Combination Sleeve and Washer: 1/8"

Specifications for Flange Connection Insulation:

A.S.A Standard Gaskets: B16.21(4)

A.S.A. SERIES 90-900# CLASS

Flange Size	(Number) & Size of Bolts	Ring Gasket		Full Face Gasket O.D.	RTJ
		I.D.	O.D.		
1"	(4) 7/8"	7/8"	3 1/8"	5 7/8"	R-16
1 1/4"	(4) 7/8"	1 1/8"	3 1/2"	6 1/4"	R-18
1 1/2"	(4) 1"	1 3/8"	3 3/8"	7"	R-20
2"	(8) 7/8"	1 7/8"	5 5/8"	8 1/2"	R-24
2 1/2"	(8) 1"	2 1/4"	6 1/2"	9 5/8"	R-27
3"	(8) 7/8"	2 7/8"	6 5/8"	9 1/2"	R-31
4"	(8) 1 1/8"	3 3/8"	8 1/8"	11 1/2"	R-37
5"	(8) 1 1/4"	4 3/4"	9 3/4"	13 3/4"	R-41
6"	(12) 1 1/8"	5 3/4"	11 3/8"	15"	R-45
8"	(12) 1 3/8"	7 1/2"	14 1/8"	18 1/2"	R-49
10"	(16) 1 3/8"	9 3/8"	17 1/8"	21 1/2"	R-53
12"	(20) 1 3/8"	11 1/8"	19 5/8"	24"	R-57
14"	(20) 1 1/2"	12 1/4"	20 1/2"	25 1/4"	R-62
16"	(20) 1 5/8"	14"	22 5/8"	27 3/4"	R-66
18"	(20) 1 7/8"	15 3/4"	25 1/8"	31"	R-70
20"	(20) 2"	17 1/2"	27 1/2"	33 3/4"	R-74

A.S.A. SERIES 150-1500# CLASS

Flange Size	(Number) & Size of Bolts	Ring Gasket		Full Face Gasket O.D.	RTJ
		I.D.	O.D.		
1"	(4) 7/8"	7/8"	3 1/8"	5 7/8"	R-16
1 1/4"	(4) 7/8"	1 1/8"	3 1/2"	6 1/4"	R-18
1 1/2"	(4) 1"	1 3/8"	3 3/8"	7"	R-20
2"	(8) 7/8"	1 7/8"	5 5/8"	8 1/2"	R-24
2 1/2"	(8) 1"	2 1/4"	6 1/2"	9 5/8"	R-27
3"	(8) 1 1/8"	2 3/4"	6 7/8"	10 1/2"	R-35
4"	(8) 1 1/4"	3 5/8"	8 1/4"	12 1/4"	R-36
5"	(8) 1 1/2"	4 3/8"	10"	14 3/4"	R-44
6"	(12) 1 3/8"	5 3/8"	11 1/8"	15 1/2"	R-46
8"	(12) 1 5/8"	7"	13 7/8"	19"	R-50
10"	(12) 7/8"	8 3/4"	17 1/8"	23"	R-54
12"	(16) 2"	10 3/8"	20 1/2"	26 1/2"	R-58

A.S.A. SERIES 250-2500# CLASS

Flange Size	(Number) & Size of Bolts	Ring Gasket		Full Face Gasket O.D.	RTJ
		I.D.	O.D.		
1"	(4) 7/8"	7/8"	3 3/8"	6 1/4"	R-18
1 1/4"	(4) 1"	1 1/8"	4 1/8"	7 1/4"	R-21
1 1/2"	(4) 1 1/8"	1 3/8"	4 5/8"	8"	R-23
2"	(8) 1"	1 7/8"	5 3/4"	9 1/4"	R-26
2 1/2"	(8) 1 1/8"	2 1/4"	6 5/8"	10 1/2"	R-28
3"	(8) 1 1/4"	2 3/4"	7 3/4"	12"	R-32
4"	(8) 1 1/2"	3 5/8"	9 1/4"	14"	R-38
5"	(8) 1 3/4"	4 3/8"	11"	16 1/2"	R-42
6"	(8) 2"	5 3/8"	12 1/2"	19"	R-47
8"	(12) 2"	7"	15 1/4"	21 3/4"	R-51

A.S.A. SERIES 60-600# CLASS

Flange Size	(Number) & Size of Bolts	Ring Gasket		Full Face Gasket O.D.	RTJ
		I.D.	O.D.		
1"	(4) 5/8"	1"	2 7/8"	4 7/8"	R-16
1 1/4"	(4) 5/8"	1 1/4"	3 1/4"	5 1/4"	R-18
1 1/2"	(4) 3/4"	1 1/2"	3 3/4"	6 1/8"	R-20
2"	(8) 5/8"	2"	4 3/8"	6 1/2"	R-23
2 1/2"	(8) 3/4"	2 1/2"	5 1/8"	7 1/2"	R-26
3"	(8) 3/4"	3"	5 5/8"	8 1/4"	R-31
3 1/2"	(8) 7/8"	3 1/2"	6 3/8"	9"	R-34
4"	(8) 7/8"	4"	7 5/8"	10 3/4"	R-37
5"	(8) 1"	5"	9 1/2"	13"	R-41
6"	(12) 3/4"	6"	10 1/2"	14"	R-45
8"	(12) 1 1/8"	7 7/8"	12 5/8"	16 1/2"	R-49
10"	(16) 1 1/4"	9 3/4"	15 3/4"	20"	R-53
12"	(20) 1 1/4"	11 3/4"	18"	22"	R-57
14"	(20) 1 3/8"	12 7/8"	19 3/8"	23 3/4"	R-61
16"	(20) 1 1/2"	14 3/4"	22 1/4"	27"	R-65
18"	(20) 1 5/8"	16 1/2"	24 1/8"	29 1/4"	R-69
20"	(24) 1 5/8"	18 1/4"	26 7/8"	32"	R-73
24"	(24) 1 7/8"	22"	31 1/8"	37"	R-77

Wall thickness of sleeves: 1/32"

Thickness of Phenolic Washers: 1/8"

Wall thickness of Washer on Nylon Combination Sleeve and Washer: 1/8"

Flange Insulation: Sleeve Quantity and Length Cross Reference

Single Washer Kits

Pipe Size	SINGLE WASHER KITS (Qty) Diameter × Length					
	150 Class	300 Class	400 Class	600 Class	900 Class	1500 Class
½"	(4) ½" × 1⅝"	(4) ½" × 1⅝"	(4) ½" × 1⅝"	(4) ½" × 1⅝"	(4) ¾" × 2½"	(4) ¾" × 2½"
¾"	(4) ½" × 1¼"	(4) ⅝" × 1½"	(4) ⅝" × 2"	(4) ⅝" × 2"	(4) ¾" × 2¾"	(4) ¾" × 2¾"
1"	(4) ½" × 1⅜"	(4) ⅝" × 1⅝"	(4) ⅝" × 2⅛"	(4) ⅝" × 2⅛"	(4) ⅞" × 3"	(4) ⅞" × 3"
1¼"	(4) ½" × 1½"	(4) ¾" × 1¾"	(4) ⅝" × 2⅜"	(4) ⅝" × 2⅜"	(4) ⅞" × 3"	(4) ⅞" × 3"
1½"	(4) ½" × 1⅝"	(4) ¾" × 1⅞"	(4) ¾" × 2½"	(4) ¾" × 2½"	(4) 1" × 3¼"	(4) 1" × 3¼"
2"	(4) ⅝" × 1¾"	(8) ⅝" × 2"	(8) ⅝" × 2¾"	(8) ⅝" × 2¾"	(8) ⅞" × 3¾"	(8) ⅞" × 3¾"
2½"	(4) ⅝" × 2"	(8) ¾" × 2¼"	(8) ¾" × 3"	(8) ¾" × 3"	(8) 1" × 4"	(8) 1" × 4"
3"	(4) ⅝" × 2⅛"	(8) ¾" × 2½"	(8) ¾" × 3¼"	(8) ¾" × 3¼"	(8) ⅞" × 3¾"	(8) 1⅛" × 4½"
3½"	(8) ⅝" × 2⅛"	(8) ¾" × 2⅝"	(8) ⅞" × 3½"	(8) ⅞" × 3½"		
4"	(8) ⅝" × 2⅛"	(8) ¾" × 2¾"	(8) ⅞" × 3½"	(8) ⅞" × 3¾"	(8) 1⅛" × 4¼"	(8) 1¼" × 5"
5"	(8) ¾" × 2⅛"	(8) ¾" × 3⅛"	(8) ⅞" × 3¾"	(8) 1" × 4¼"	(8) 1¼" × 4¾"	(8) 1½" × 6½"
6"	(8) ¾" × 2¼"	(12) ¾" × 3¼"	(12) ⅞" × 4"	(12) 1" × 4½"	(12) 1⅛" × 5⅛"	(12) 1⅜" × 7¼"
8"	(8) ¾" × 2½"	(12) ¾" × 3½"	(12) 1" × 4½"	(12) 1⅛" × 5⅛"	(12) 1⅜" × 5¾"	(12) 1⅝" × 8"
10"	(12) ⅞" × 2⅝"	(16) 1" × 4"	(16) 1⅛" × 5"	(16) 1¼" × 5¾"	(16) 1⅜" × 6¼"	(12) 1⅞" × 9¼"
12"	(12) ⅞" × 2¾"	(16) 1⅛" × 4¼"	(16) 1¼" × 5¼"	(20) 1¼" × 6"	(20) 1⅜" × 7"	(16) 2" × 10½"
14"	(12) 1" × 3"	(20) 1⅛" × 4½"	(20) 1¼" × 5½"	(20) 1⅜" × 6¼"	(20) 1½" × 7½"	
16"	(16) 1" × 3⅛"	(20) 1¼" × 4¾"	(20) 1⅜" × 5¾"	(20) 1½" × 6¾"	(20) 1⅝" × 7¾"	
18"	(16) 1⅛" × 3⅜"	(24) 1¼" × 5"	(24) 1⅜" × 6"	(20) 1⅝" × 7¼"	(20) 1⅞" × 8¾"	
20"	(20) 1⅛" × 3⅝"	(24) 1¼" × 5¼"	(24) 1½" × 6¼"	(24) 1⅝" × 7¾"	(20) 2" × 9¼"	
22"	(20) 1¼" × 3⅞"	(24) 1½" × 5½"	(24) 1⅝" × 6½"	(24) 1¾" × 8¼"		
24"	(20) 1¼" × 4"	(24) 1½" × 5¾"	(24) 1¾" × 6¾"	(24) 1⅞" × 8¾"		
26"	(20) 1¼" × 4¼"	(28) 1⅝" × 6½"	(28) 1¾" × 7¾"	(28) 1⅞" × 9¼"		
28"	(28) 1¼" × 4⅜"	(28) 1⅝" × 7"	(28) 1⅞" × 8¼"	(28) 2" × 9½"		
30"	(28) 1¼" × 4½"	(28) 1¾" × 7½"	(28) 2" × 8¾"	(28) 2" × 9¾"		
32"	(28) 1½" × 4¾"	(28) 1⅞" × 8"	(28) 2" × 9¼"			
34"	(32) 1½" × 4¾"	(28) 1⅞" × 8¼"	(28) 2" × 9½"			
36"	(32) 1½" × 5"	(32) 2" × 8½"	(32) 2" × 9¾"			
38"	(32) 1½" × 7⅛"	(32) 1½" × 8¾"	(32) 1¾" × 10½"	(28) 2¼" × 12¾"		
40"	(36) 1½" × 7⅜"	(32) 1⅝" × 9¼"	(32) 1⅞" × 11"	(32) 2¼" × 13¼"		
42"	(36) 1½" × 7⅞"	(32) 1⅝" × 9⅝"	(32) 1⅞" × 11¼"	(28) 2½" × 14"		
44"	(40) 1½" × 8¼"	(32) 1¾" × 10"	(32) 2" × 11¾"	(32) 2½" × 14⅜"		
46"	(40) 1½" × 8⅝"	(28) 1⅞" × 10⅜"	(36) 2" × 12¼"	(32) 2½" × 14⅞"		
48"	(44) 1½" × 8¾"	(32) 1⅞" × 10¾"	(28) 2¼" × 12¾"	(32) 2¾" × 15⅝"		
50"	(44) 1¾" × 9"	(32) 2" × 11¼"	(32) 2¼" × 13⅝"	(28) 3" × 16¼"		
52"	(44) 1¾" × 9⅜"	(32) 2" × 11⅝"	(32) 2¼" × 13½"	(32) 3" × 16¾"		
54"	(44) 1¾" × 9¾"	(28) 2¼" × 12¼"	(28) 2½" × 14⅛"	(32) 3" × 17¼"		
56"	(48) 1¾" × 10"	(28) 2¼" × 12⅜"	(32) 2½" × 14½"	(32) 3¼" × 17⅞"		
58"	(48) 1¾" × 10⅜"	(32) 2¼" × 12¾"	(32) 2½" × 14¾"	(32) 3¼" × 18¼"		
60"	(52) 1¾" × 10⅝"	(32) 2¼" × 13⅛"	(32) 2¾" × 15⅝"	(28) 3½" × 19⅛"		

NOTE: QTY listed for double washer kits represents quantity of sleeves only. The quantity of washers will be double the quantity of sleeves provided. [i.e. (4) sleeves = (8) washers, (12) sleeves = (24) washers]

Larger sizes and high temperature sets available on request.

Unless otherwise specified, all kits will be shipped with one (1) full length Mylar® sleeve, one (1) phenolic washer, and one (1) steel washer per bolt.

Flange Insulation: Sleeve Quantity and Length Cross Reference

Double Washer Kits

DOUBLE WASHER KITS (Qty Sleeves)** Diameter × Length						
Pipe Size	150 Class	300 Class	400 Class	600 Class	900 Class	1500 Class
½"	(4) ½" × 1¾"	(4) ½" × 2"	(4) ½" × 2"	(4) ½" × 2"	(4) ¾" × 2⅝"	(4) ¾" × 2⅝"
¾"	(4) ½" × 1⅞"	(4) ⅝" × 2⅛"	(4) ⅝" × 2⅛"	(4) ⅝" × 2⅛"	(4) ¾" × 2⅞"	(4) ¾" × 2⅞"
1"	(4) ½" × 1½"	(4) ⅝" × 1¾"	(4) ⅝" × 2¼"	(4) ⅝" × 2¼"	(4) ⅞" × 3⅛"	(4) ⅞" × 3⅛"
1¼"	(4) ½" × 1⅝"	(4) ⅝" × 1⅞"	(4) ⅝" × 2½"	(4) ⅝" × 2½"	(4) ⅞" × 3⅛"	(4) ⅞" × 3⅛"
1½"	(4) ½" × 1¾"	(4) ¾" × 2"	(4) ¾" × 2⅝"	(4) ¾" × 2⅝"	(4) 1" × 3⅜"	(4) 1" × 3⅜"
2"	(4) ⅝" × 1⅞"	(8) ⅝" × 2⅛"	(8) ⅝" × 2⅞"	(8) ⅝" × 2⅞"	(8) ⅞" × 3⅞"	(8) ⅞" × 3⅞"
2½"	(4) ⅝" × 2⅞"	(8) ¾" × 2⅞"	(8) ¾" × 3⅛"	(8) ¾" × 3⅛"	(8) 1" × 4⅞"	(8) 1" × 4⅞"
3"	(4) ⅝" × 2¼"	(8) ¾" × 2⅝"	(8) ¾" × 3⅜"	(8) ¾" × 3⅜"	(8) ⅞" × 3⅞"	(8) 1⅞" × 4⅝"
3½"	(8) ⅝" × 2¼"	(8) ¾" × 2¾"	(8) ⅞" × 3⅝"	(8) ⅞" × 3⅝"		
4"	(8) ⅝" × 2¼"	(8) ¾" × 2⅞"	(8) ⅞" × 3⅝"	(8) ⅞" × 4⅞"	(8) 1⅞" × 4⅞"	(8) 1¼" × 5⅞"
5"	(8) ¾" × 2¼"	(8) ¾" × 2¼"	(8) ⅞" × 3⅞"	(8) 1" × 4⅞"	(8) 1¼" × 4⅞"	(8) 1½" × 7⅞"
6"	(8) ¾" × 2⅜"	(12) ¾" × 3⅜"	(12) ⅞" × 4⅞"	(12) 1" × 4⅞"	(12) 1⅞" × 5¼"	(12) 1⅜" × 7⅞"
8"	(8) ¾" × 2⅝"	(12) ⅞" × 3⅝"	(12) 1" × 4⅝"	(12) 1⅞" × 5¼"	(12) 1⅜" × 5⅞"	(12) 1⅝" × 8⅞"
10"	(12) ⅞" × 2¾"	(16) 1" × 4⅞"	(16) 1⅞" × 5⅞"	(16) 1¼" × 5⅞"	(16) 1⅜" × 6⅞"	(12) 1⅞" × 9⅜"
12"	(12) ⅞" × 2⅞"	(16) 1⅞" × 4⅞"	(16) 1¼" × 5⅞"	(20) 1¼" × 6⅞"	(20) 1⅜" × 7⅞"	(16) 2" × 10⅞"
14"	(12) 1" × 3⅞"	(20) 1⅞" × 4⅞"	(20) 1¼" × 5⅞"	(20) 1⅜" × 6⅞"	(20) 1½" × 7⅞"	
16"	(16) 1" × 3¼"	(20) 1¼" × 4⅞"	(20) 1⅜" × 5⅞"	(20) 1½" × 6⅞"	(20) 1⅞" × 7⅞"	
18"	(16) 1⅞" × 3½"	(24) 1¼" × 5⅞"	(24) 1⅜" × 6⅞"	(20) 1⅝" × 7⅞"	(20) 1⅞" × 8⅞"	
20"	(20) 1⅞" × 3¾"	(24) 1¼" × 5⅞"	(24) 1½" × 6⅞"	(24) 1⅝" × 7⅞"	(20) 2" × 9⅜"	
22"	(20) 1¼" × 4"	(24) 1½" × 5⅞"	(24) 1⅝" × 6⅞"	(24) 1¾" × 8⅞"		
24"	(20) 1¼" × 4⅞"	(24) 1½" × 5⅞"	(24) 1¾" × 6⅞"	(24) 1⅞" × 8⅞"		
26"	(20) 1¼" × 4⅜"	(28) 1⅝" × 6⅞"	(28) 1¾" × 7⅞"	(28) 1⅞" × 9⅜"		
28"	(28) 1¼" × 4½"	(28) 1⅝" × 7⅞"	(28) 1⅞" × 8⅞"	(28) 2" × 9⅞"		
30"	(28) 1¼" × 4⅝"	(28) 1¾" × 7⅞"	(28) 2" × 8⅞"	(28) 2" × 9⅞"		
32"	(28) 1½" × 4⅞"	(28) 1⅞" × 8⅞"	(28) 2" × 9⅜"			
34"	(32) 1½" × 8"	(28) 1⅞" × 8⅞"	(28) 2" × 9⅝"			
36"	(32) 1½" × 5⅞"	(32) 2" × 8⅝"	(32) 2" × 9⅞"			
38"	(32) 1½" × 7¼"	(32) 1½" × 8⅞"	(32) 1¾" × 10⅞"	(28) 2¼" × 12⅞"		
40"	(36) 1½" × 7½"	(32) 1⅝" × 9⅞"	(32) 1⅞" × 11⅞"	(32) 2¼" × 13⅞"		
42"	(36) 1½" × 8"	(32) 1⅝" × 9¾"	(32) 1⅞" × 11⅞"	(28) 2½" × 14⅞"		
44"	(40) 1½" × 8⅞"	(32) 1¾" × 10⅞"	(32) 2" × 11⅞"	(32) 2½" × 14½"		
46"	(40) 1½" × 8½"	(28) 1⅞" × 10½"	(36) 2" × 12⅞"	(32) 2½" × 15"		
48"	(44) 1½" × 8⅞"	(32) 1⅞" × 10⅞"	(28) 2¼" × 12⅞"	(32) 2¾" × 15¾"		
50"	(44) 1¾" × 9⅞"	(32) 2" × 11⅞"	(32) 2¼" × 13¼"	(28) 3" × 16⅞"		
52"	(44) 1¾" × 9½"	(32) 2" × 11¾"	(32) 2¼" × 13⅝"	(32) 3" × 16⅞"		
54"	(44) 1¾" × 9⅞"	(28) 2¼" × 12⅞"	(28) 2½" × 14¼"	(32) 3" × 17⅞"		
56"	(48) 1¾" × 10⅞"	(28) 2¼" × 12½"	(32) 2½" × 14⅝"	(32) 3¼" × 18"		
58"	(48) 1¾" × 10½"	(32) 2¼" × 12⅞"	(32) 2½" × 14⅞"	(32) 3¼" × 18⅞"		
60"	(52) 1¾" × 10¾"	(32) 2¼" × 13¼"	(32) 2¾" × 15½"	(28) 3½" × 19¼"		

NOTE: QTY listed for double washer kits represents quantity of sleeves only. The quantity of washers will be double the quantity of sleeves provided. [i.e. (4) sleeves = (8) washers, (12) sleeves = (24) washers]

Larger sizes and high temperature sets available on request.

Unless otherwise specified, all kits will be shipped with one (1) full length Mylar® sleeve, two (2) phenolic washers, and two (2) steel washers per bolt.

Flange Insulation: Tubing Materials List

Bolt Size	3 FT LENGTH				INCH LENGTH				LENGTH	mm LENGTH
	Mylar®	Poly	Phen	Nomex®	Mylar®	Poly	Phen	Nomex®	Bolt Size	Mylar®
1/2"	•	•	•	•	•	•	•	•	M12	•
5/8"	•	•	•	•	•	•	•	•	M16	•
3/4"	•	•	•	•	•	•	•	•	M20	•
7/8"	•	•	•	•	•	•	•	•	M24	•
1"	•	•	•	•	•	•	•	•	M27	•
1 1/8"	•	•	•	•	•	•	•	•	M30	•
1 1/4"	•	•	•	•	•	•	•	•	M33	•
1 3/8"	•	•	•	•	•	•	•	•	M36	•
1 1/2"	•	•	•	•	•	•	•	•	M39	•
1 5/8"	•	•	•	•	•	•	•	•		
1 3/4"	•	•	•	•	•	•	•	•	M45	•
1 7/8"	•	•	•	•	•	•	•	•		
2"	•	•	•	•	•	•	•	•	M52	•
2 1/4"	•	•	•	•	•	•	•	•	M56	•
2 1/2"	•	•	•	•	•	•	•	•		
2 3/4"	•	•	•	•	•	•	•	•		
3"	•	•	•	•	•	•	•	•		
3 1/2"	•	•	•	•	•	•	•	•		

Larger sizes and high temperature sets and custom builds available on request.

Unless otherwise specified, all kits will be shipped with one (1) full length Mylar® sleeve, two (2) phenolic washers, and two (2) steel washers per bolt.

Flange Insulation: Washer Material List

Bolt Size	WASHER			SLEEVE & WASHER COMBO	
	Steel	Phenolic	G3, G7 & G10	Bolt Size	Minlon®
1/2"	•	•	•	1/2" x 1"	•
5/8"	•	•	•	5/8" x 1"	•
3/4"	•	•	•	5/8" x 1 1/4"	•
7/8"	•	•	•	3/4" x 1 1/4"	•
1"	•	•	•	7/8" x 1 13/16"	•
1 1/8"	•	•	•	1" x 2 13/16"	•
1 1/4"	•	•	•	1 1/8" x 2 1/2"	•
1 3/8"	•	•	•	1 1/4" x 3 3/16"	•
1 1/2"	•	•	•		
1 5/8"	•	•	•		
1 3/4"	•	•	•		
1 7/8"	•	•	•		
2"	•	•	•		
2 1/4"	•	•	•		
2 1/2"	•	•	•		
2 3/4"	•	•	•		
3"	•	•	•		
3 1/4"	•	•	•		
3 1/2"	•	•	•		

Larger sizes, high temperature sets, and custom builds available. Unless otherwise specified, all kits will be shipped with one (1) full length Mylar® sleeve, two (2) phenolic washers, and two (2) steel washers per bolt.

Flange Insulation: Sleeve ID and OD Reference Sheet

SLEEVE			SLEEVE		
Bolt Size	ID	OD	Bolt Size	ID	OD
1/2"	0.519"	0.599"	M12	0.491"	0.532"
5/8"	0.644"	0.724"	M16	0.649"	0.690"
3/4"	0.767"	0.849"	M20	0.806"	0.847"
7/8"	0.894"	0.974"	M24	0.964"	1.005"
1"	1.019"	1.099"	M27	1.082"	1.162"
1 1/8"	1.144"	1.224"	M30	1.200"	1.280"
1 1/4"	1.269"	1.349"	M33	1.318"	1.398"
1 3/8"	1.394"	1.474"	M36	1.436"	1.516"
1 1/2"	1.519"	1.599"	M39	1.554"	1.634"
1 5/8"	1.644"	1.724"	M45	1.791"	1.871"
1 3/4"	1.769"	1.849"	M52	2.066"	2.146"
1 7/8"	1.894"	1.974"	M56	2.224"	2.422"
2"	2.019"	2.099"			
2 1/4"	2.269"	2.349"			
2 1/2"	2.519"	2.599"			
2 3/4"	2.781"	2.849"			
3"	3.019"	3.099"			
3 1/2"	3.531"	3.591"			

Larger sizes, high temperature sets, and custom builds available on request. Unless otherwise specified, all kits will be shipped with one (1) full length Mylar® sleeve, two (2) phenolic washers, and two (2) steel washers per bolt.

Flange Kit Weights: Type E (Full Face) and Type F (Ring)

Single Washer and Double Washer Kits

TYPE F GASKET KIT WEIGHTS

	SINGLE WASHER KITS			DOUBLE WASHER KITS		
	150#	300#	600#	150 #	300#	600#
1"	0.26	0.28	0.32	0.34	0.38	0.48
2"	0.36	0.54	0.54	0.46	1.18	1.20
2½"	0.36	0.82	0.86	0.48	1.20	1.35
3"	0.40	0.92	0.92	0.50	1.28	1.48
4"	0.78	0.96	1.02	1.08	1.34	1.82
6"	1.00	1.56	2.26	1.38	1.76	3.52
8"	1.26	1.96	2.84	1.64	2.88	4.24
10"	2.00	3.08	5.54	3.20	4.64	8.56
12"	3.04	4.98	6.86	4.08	6.30	10.26
14"				4.42	8.30	11.08
16"	3.92	6.60	11.06	5.82	9.92	16.70
18"	4.10		8.86	6.20		
20"	6.48		10.36	8.36	13.30	15.32
24"			14.28	12.00	20.70	21.27

TYPE E GASKET KIT WEIGHTS

	SINGLE WASHER KITS			DOUBLE WASHER KITS		
	150#	300#	600#	150#	300#	600#
1"	0.32	0.34	0.36	0.38	0.45	0.55
2"	0.40	0.56	0.76	0.58		1.02
2½"	0.60	0.98	1.02	0.74	1.36	
3"	0.62	0.98	1.04	0.76	1.44	1.48
4"	0.84	1.36	2.26	1.20	1.92	2.44
6"	1.24	1.78		1.76	2.42	4.24
8"	1.60	2.32	4.16	2.18	4.06	5.90
10"	3.00	4.22	5.82	4.04	5.52	9.52
12"		5.14	7.16	4.44	7.18	10.26
14"	4.20			4.84	10.10	15.60
16"	5.64	8.76	11.58	7.76	11.40	17.46
18"	6.36			8.68	15.46	
20"	7.24	11.26	12.68	10.12	15.24	17.46
24"	9.84	12.28		13.56		

Larger sizes, high temperature sets, and custom builds available on request. Unless otherwise specified, all kits will be shipped with one (1) full length Mylar® sleeve, two (2) phenolic washers, and two (2) steel washers per bolt.

Flange Insulation: Nitrile-Face and Plain Phenolic Gasket Kits Type "E" (Full Face)

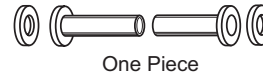


Sleeves: Mylar® and Poly Only (●): Mylar®, Poly and Minlon® (●); Washers: Phenolic

Single Washer Kits



Double Washer Kits



Pipe Size	SINGLE WASHER KITS						DOUBLE WASHER KITS					
	150 Class	300 Class	400 Class	600 Class	900 Class	1500 Class	150 Class	300 Class	400 Class	600 Class	900 Class	1500 Class
¾"	●	●	●	●	●	●	●	●	●	●	●	●
1"	●	●	●	●	●	●	●	●	●	●	●	●
1¼"	●	●	●	●	●	●	●	●	●	●	●	●
1½"	●	●	●	●	●	●	●	●	●	●	●	●
2"	●	●	●	●	●	●	●	●	●	●	●	●
2½"	●	●	●	●	●	●	●	●	●	●	●	●
3"	●	●	●	●	●	●	●	●	●	●	●	●
3½"	●	●	●	●	●	●	●	●	●	●	●	●
4"	●	●	●	●	●	●	●	●	●	●	●	●
5"	●	●	●	●	●	●	●	●	●	●	●	●
6"	●	●	●	●	●	●	●	●	●	●	●	●
8"	●	●	●	●	●	●	●	●	●	●	●	●
10"	●	●	●	●	●	●	●	●	●	●	●	●
12"	●	●	●	●	●	●	●	●	●	●	●	●
14"	●	●	●	●	●	●	●	●	●	●	●	●
16"	●	●	●	●	●	●	●	●	●	●	●	●
18"	●	●	●	●	●	●	●	●	●	●	●	●
20"	●	●	●	●	●	●	●	●	●	●	●	●
22"	●	●	●	●	●	●	●	●	●	●	●	●
24"	●	●	●	●	●	●	●	●	●	●	●	●
26"	●	●	●	●	●	●	●	●	●	●	●	●
28"	●	●	●	●	●	●	●	●	●	●	●	●
30"	●	●	●	●	●	●	●	●	●	●	●	●
32"	●	●	●	●	●	●	●	●	●	●	●	●
34"	●	●	●	●	●	●	●	●	●	●	●	●
36"	●	●	●	●	●	●	●	●	●	●	●	●

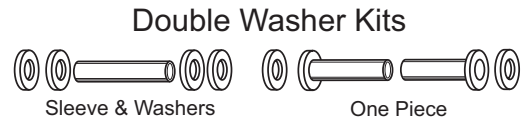
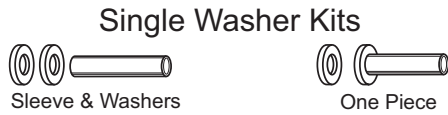
Larger sizes, high temperature sets (G3, G7 and G10) and custom builds available on request.

Unless otherwise specified, all kits will be shipped with one (1) full length Mylar® sleeve, two (2) phenolic washers, and two (2) steel washers per bolt.

Flange Insulation: Nitrile-Faced and Plain Phenolic Gasket Kits Type "F" (Ring)



Sleeves: Mylar® and Poly Only (•): Mylar®, Poly and Minlon® (••); Washers: Phenolic



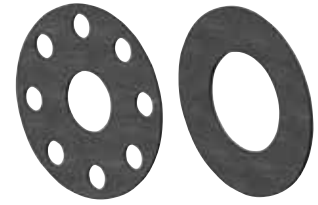
Pipe Size	SINGLE WASHER KITS						DOUBLE WASHER KITS					
	150 Class	300 Class	400 Class	600 Class	900 Class	1500 Class	150 Class	300 Class	400 Class	600 Class	900 Class	1500 Class
¾"	•	•	•	•	•	•	•	•	•	•	•	•
1"	•	•	•	•	•	•	•	•	•	•	•	•
1¼"	•	•	•	•	•	•	•	•	•	•	•	•
1½"	•	•	•	•	•	•	•	•	•	•	•	•
2"	•	•	•	•	•	•	•	•	•	•	•	•
2½"	•	•	•	•	•	•	•	•	•	•	•	•
3"	•	•	•	•	•	•	•	•	•	•	•	•
3½"	•	•	•	•	•	•	•	•	•	•	•	•
4"	•	•	•	•	•	•	•	•	•	•	•	•
5"	•	•	•	•	•	•	•	•	•	•	•	•
6"	•	•	•	•	•	•	•	•	•	•	•	•
8"	•	•	•	•	•	•	•	•	•	•	•	•
10"	•	•	•	•	•	•	•	•	•	•	•	•
12"	•	•	•	•	•	•	•	•	•	•	•	•
14"	•	•	•	•	•	•	•	•	•	•	•	•
16"	•	•	•	•	•	•	•	•	•	•	•	•
18"	•	•	•	•	•	•	•	•	•	•	•	•
20"	•	•	•	•	•	•	•	•	•	•	•	•
22"	•	•	•	•	•	•	•	•	•	•	•	•
24"	•	•	•	•	•	•	•	•	•	•	•	•
26"	•	•	•	•	•	•	•	•	•	•	•	•
28"	•	•	•	•	•	•	•	•	•	•	•	•
30"	•	•	•	•	•	•	•	•	•	•	•	•
32"	•	•	•	•	•	•	•	•	•	•	•	•
34"	•	•	•	•	•	•	•	•	•	•	•	•
36"	•	•	•	•	•	•	•	•	•	•	•	•

Larger sizes, high temperature sets (G3, G7 & G10) and custom builds available on request.

Unless otherwise specified, all kits will be shipped with one (1) full length Mylar® sleeve, two (2) phenolic washers, and two (2) steel washers per bolt.

Flange Insulation:

Nitrile-Face and Plain Phenolic Gaskets Only
Type "E" (Full Face) and Type "F" (Ring)



Pipe Size	TYPE "E" GASKETS						TYPE "F" GASKETS					
	150 Class	300 Class	400 Class	600 Class	900 Class	1500 Class	150 Class	300 Class	400 Class	600 Class	900 Class	1500 Class
¾"	•	•	•	•	•	•	•	•	•	•	•	•
1"	•	•	•	•	•	•	•	•	•	•	•	•
1¼"	•	•	•	•	•	•	•	•	•	•	•	•
1½"	•	•	•	•	•	•	•	•	•	•	•	•
2"	•	•	•	•	•	•	•	•	•	•	•	•
2½"	•	•	•	•	•	•	•	•	•	•	•	•
3"	•	•	•	•	•	•	•	•	•	•	•	•
3½"	•	•	•	•	•	•	•	•	•	•	•	•
4"	•	•	•	•	•	•	•	•	•	•	•	•
5"	•	•	•	•	•	•	•	•	•	•	•	•
6"	•	•	•	•	•	•	•	•	•	•	•	•
8"	•	•	•	•	•	•	•	•	•	•	•	•
10"	•	•	•	•	•	•	•	•	•	•	•	•
12"	•	•	•	•	•	•	•	•	•	•	•	•
14"	•	•	•	•	•	•	•	•	•	•	•	•
16"	•	•	•	•	•	•	•	•	•	•	•	•
18"	•	•	•	•	•	•	•	•	•	•	•	•
20"	•	•	•	•	•	•	•	•	•	•	•	•
22"	•	•	•	•	•	•	•	•	•	•	•	•
24"	•	•	•	•	•	•	•	•	•	•	•	•
26"	•	•	•	•	•	•	•	•	•	•	•	•
28"	•	•	•	•	•	•	•	•	•	•	•	•
30"	•	•	•	•	•	•	•	•	•	•	•	•
32"	•	•	•	•	•	•	•	•	•	•	•	•
34"	•	•	•	•	•	•	•	•	•	•	•	•
36"	•	•	•	•	•	•	•	•	•	•	•	•

Larger sizes, high temperature sets (G3, G7 & G10) and custom builds available on request.

Unless otherwise specified, all kits will be shipped with one (1) full length Mylar® sleeve, two (2) phenolic washers, and two (2) steel washers per bolt.

Flange Insulation: Sleeve and Washer Kits Only

Sleeves: Mylar® and Poly Only (•): Mylar®, Poly and Minlon® (••); Washers: Phenolic



Pipe Size	SINGLE WASHER KITS						DOUBLE WASHER KITS					
	150 Class	300 Class	400 Class	600 Class	900 Class	1500 Class	150 Class	300 Class	400 Class	600 Class	900 Class	1500 Class
¾"	•	•	•	•	•	•	•	•	•	•	•	•
1"	•	•	•	•	•	•	•	•	•	•	•	•
1¼"	•	•	•	•	•	•	•	•	•	•	•	•
1½"	•	•	•	•	•	•	•	•	•	•	•	•
2"	•	•	•	•	•	•	•	•	•	•	•	•
2½"	•	•	•	•	•	•	•	•	•	•	•	•
3"	•	•	•	•	•	•	•	•	•	•	•	•
3½"	•	•	•	•	•	•	•	•	•	•	•	•
4"	•	•	•	•	•	•	•	•	•	•	•	•
5"	•	•	•	•	•	•	•	•	•	•	•	•
6"	•	•	•	•	•	•	•	•	•	•	•	•
8"	•	•	•	•	•	•	•	•	•	•	•	•
10"	•	•	•	•	•	•	•	•	•	•	•	•
12"	•	•	•	•	•	•	•	•	•	•	•	•
14"	•	•	•	•	•	•	•	•	•	•	•	•
16"	•	•	•	•	•	•	•	•	•	•	•	•
18"	•	•	•	•	•	•	•	•	•	•	•	•
20"	•	•	•	•	•	•	•	•	•	•	•	•
22"	•	•	•	•	•	•	•	•	•	•	•	•
24"	•	•	•	•	•	•	•	•	•	•	•	•
26"	•	•	•	•	•	•	•	•	•	•	•	•
28"	•	•	•	•	•	•	•	•	•	•	•	•
30"	•	•	•	•	•	•	•	•	•	•	•	•
32"	•	•	•	•	•	•	•	•	•	•	•	•
34"	•	•	•	•	•	•	•	•	•	•	•	•
36"	•	•	•	•	•	•	•	•	•	•	•	•

Larger sizes, high temperature sets and custom builds available on request.

Unless otherwise specified, all kits will be shipped with one (1) full length Mylar® sleeve, two (2) phenolic washers, and two (2) steel washers per bolt.

Flange Insulation: Sleeve and Washer Kits Only

Sleeves: Mylar®; Washers: Phenolic

Single Washer Kits



Double Washer Kits



Pipe Size	SINGLE WASHER KITS				DOUBLE WASHER KITS			
	150 Class	300 Class	400 Class	600 Class	150 Class	300 Class	400 Class	600 Class
38"	•	•	•	•	•	•	•	•
40"	•	•	•	•	•	•	•	•
42"	•	•	•	•	•	•	•	•
44"	•	•	•	•	•	•	•	•
46"	•	•	•	•	•	•	•	•
48"	•	•	•	•	•	•	•	•
50"	•	•	•	•	•	•	•	•
52"	•	•	•	•	•	•	•	•
56"	•	•	•	•	•	•	•	•
58"	•	•	•	•	•	•	•	•
60"	•	•	•	•	•	•	•	•

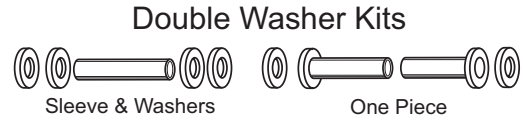
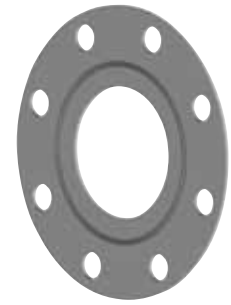
Larger sizes and high temperature sets available on request.

Unless otherwise specified, all kits will be shipped with one (1) full length Mylar® sleeve, two (2) phenolic washers, and two (2) steel washers per bolt.

Flange Insulation:

Jock Kits: Phenolic with Nitrile Seal Type "E" (Full Face) Gaskets

Sleeves: Mylar® and Poly Only (•): Mylar®, Poly and Minlon® (••); Washers: Phenolic



Pipe Size	SINGLE WASHER KITS						DOUBLE WASHER KITS					
	150 Class	300 Class	400 Class	600 Class	900 Class	1500 Class	150 Class	300 Class	400 Class	600 Class	900 Class	1500 Class
2"	•	•	•	•	•	•	•	•	•	•	•	•
2½"	•	•	•	•	•	•	•	•	•	•	•	•
3"	•	•	•	•	•	•	•	•	•	•	•	•
3½"	•	•	•	•	•	•	•	•	•	•	•	•
4"	•	•	•	•	•	•	•	•	•	•	•	•
5"	•	•	•	•	•	•	•	•	•	•	•	•
6"	•	•	•	•	•	•	•	•	•	•	•	•
8"	•	•	•	•	•	•	•	•	•	•	•	•
10"	•	•	•	•	•	•	•	•	•	•	•	•
12"	•	•	•	•	•	•	•	•	•	•	•	•
14"	•	•	•	•	•	•	•	•	•	•	•	•
16"	•	•	•	•	•	•	•	•	•	•	•	•
18"	•	•	•	•	•	•	•	•	•	•	•	•
20"	•	•	•	•	•	•	•	•	•	•	•	•
22"	•	•	•	•	•	•	•	•	•	•	•	•
24"	•	•	•	•	•	•	•	•	•	•	•	•
26"	•	•	•	•	•	•	•	•	•	•	•	•
28"	•	•	•	•	•	•	•	•	•	•	•	•
30"	•	•	•	•	•	•	•	•	•	•	•	•
32"	•	•	•	•	•	•	•	•	•	•	•	•
34"	•	•	•	•	•	•	•	•	•	•	•	•
36"	•	•	•	•	•	•	•	•	•	•	•	•

Larger sizes, high temperature sets (G3, G7 & G10) and custom builds available on request.

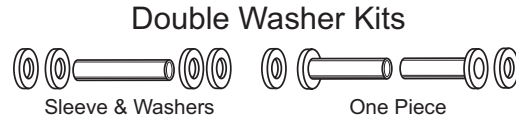
Unless otherwise specified, all kits will be shipped with one (1) full length Mylar® sleeve, two (2) phenolic washers, and two (2) steel washers per bolt.

Flange Insulation:

Jock Kits: Phenolic with Nitrile Seal

Type "F" (Ring) Gaskets

Sleeves: Mylar® and Poly Only (•): Mylar®, Poly and Minlon® (••); Washers: Phenolic



Pipe Size	SINGLE WASHER KITS						DOUBLE WASHER KITS					
	150 Class	300 Class	400 Class	600 Class	900 Class	1500 Class	150 Class	300 Class	400 Class	600 Class	900 Class	1500 Class
2"	•	•	•	•	•	•	•	•	•	•	•	•
2½"	•	•	•	•	•	•	•	•	•	•	•	•
3"	•	•	•	•	•	•	•	•	•	•	•	•
3½"	•	•	•	•	•	•	•	•	•	•	•	•
4"	•	•	•	•	•	•	•	•	•	•	•	•
5"	•	•	•	•	•	•	•	•	•	•	•	•
6"	•	•	•	•	•	•	•	•	•	•	•	•
8"	•	•	•	•	•	•	•	•	•	•	•	•
10"	•	•	•	•	•	•	•	•	•	•	•	•
12"	•	•	•	•	•	•	•	•	•	•	•	•
14"	•	•	•	•	•	•	•	•	•	•	•	•
16"	•	•	•	•	•	•	•	•	•	•	•	•
18"	•	•	•	•	•	•	•	•	•	•	•	•
20"	•	•	•	•	•	•	•	•	•	•	•	•
22"	•	•	•	•	•	•	•	•	•	•	•	•
24"	•	•	•	•	•	•	•	•	•	•	•	•
26"	•	•	•	•	•	•	•	•	•	•	•	•
28"	•	•	•	•	•	•	•	•	•	•	•	•
30"	•	•	•	•	•	•	•	•	•	•	•	•
32"	•	•	•	•	•	•	•	•	•	•	•	•
34"	•	•	•	•	•	•	•	•	•	•	•	•
36"	•	•	•	•	•	•	•	•	•	•	•	•

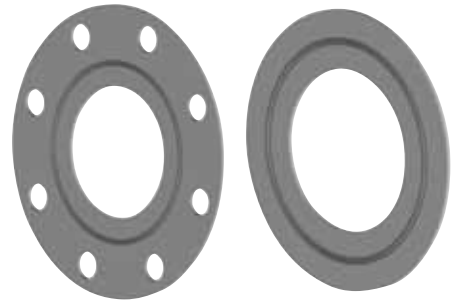
Larger sizes, high temperature sets (G3, G7 & G10) and custom builds available on request.

Unless otherwise specified, all kits will be shipped with one (1) full length Mylar® sleeve, two (2) phenolic washers, and two (2) steel washers per bolt.

Flange Insulation:

Jock Gaskets Only

Type "E" (Full Face) and Type "F" (Ring)



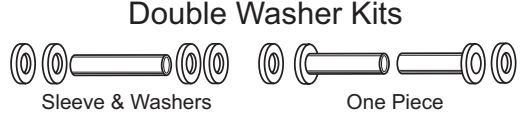
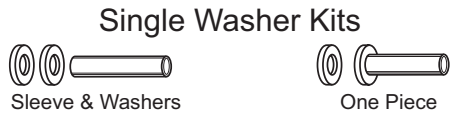
Pipe Size	TYPE "E" GASKETS						TYPE "F" GASKETS					
	150 Class	300 Class	400 Class	600 Class	900 Class	1500 Class	150 Class	300 Class	400 Class	600 Class	900 Class	1500 Class
2"	•	•	•	•	•	•	•	•	•	•	•	•
2½"	•	•	•	•	•	•	•	•	•	•	•	•
3"	•	•	•	•	•	•	•	•	•	•	•	•
3½"	•	•	•	•	•	•	•	•	•	•	•	•
4"	•	•	•	•	•	•	•	•	•	•	•	•
5"	•	•	•	•	•	•	•	•	•	•	•	•
6"	•	•	•	•	•	•	•	•	•	•	•	•
8"	•	•	•	•	•	•	•	•	•	•	•	•
10"	•	•	•	•	•	•	•	•	•	•	•	•
12"	•	•	•	•	•	•	•	•	•	•	•	•
14"	•	•	•	•	•	•	•	•	•	•	•	•
16"	•	•	•	•	•	•	•	•	•	•	•	•
18"	•	•	•	•	•	•	•	•	•	•	•	•
20"	•	•	•	•	•	•	•	•	•	•	•	•
22"	•	•	•	•	•	•	•	•	•	•	•	•
24"	•	•	•	•	•	•	•	•	•	•	•	•
26"	•	•	•	•	•	•	•	•	•	•	•	•
28"	•	•	•	•	•	•	•	•	•	•	•	•
30"	•	•	•	•	•	•	•	•	•	•	•	•
32"	•	•	•	•	•	•	•	•	•	•	•	•
34"	•	•	•	•	•	•	•	•	•	•	•	•
36"	•	•	•	•	•	•	•	•	•	•	•	•

Larger sizes, high temperature sets (G3, G7 & G10) and custom builds available on request.

Unless otherwise specified, all kits will be shipped with one (1) full length Mylar® sleeve, two (2) phenolic washers, and two (2) steel washers per bolt.

Flange Insulation: RTJ: Gasket Phenolic

Sleeves: Mylar® and Poly Only (•): Mylar®, Poly and Mintlon® (••); Washers: Phenolic



Pipe Size	SINGLE WASHER KITS						DOUBLE WASHER KITS					
	150 Class	300 Class	400 Class	600 Class	900 Class	1500 Class	150 Class	300 Class	400 Class	600 Class	900 Class	1500 Class
2"	•	•	•	•	•	•	•	•	•	•	•	•
2½"	•	•	•	•	•	•	•	•	•	•	•	•
3"	•	•	•	•	•	•	•	•	•	•	•	•
3½"	•	•	•	•	•	•	•	•	•	•	•	•
4"	•	•	•	•	•	•	•	•	•	•	•	•
5"	•	•	•	•	•	•	•	•	•	•	•	•
6"	•	•	•	•	•	•	•	•	•	•	•	•
8"	•	•	•	•	•	•	•	•	•	•	•	•
10"	•	•	•	•	•	•	•	•	•	•	•	•
12"	•	•	•	•	•	•	•	•	•	•	•	•
14"	•	•	•	•	•	•	•	•	•	•	•	•
16"	•	•	•	•	•	•	•	•	•	•	•	•
18"	•	•	•	•	•	•	•	•	•	•	•	•
20"	•	•	•	•	•	•	•	•	•	•	•	•
22"	•	•	•	•	•	•	•	•	•	•	•	•
24"	•	•	•	•	•	•	•	•	•	•	•	•

Larger sizes, high temperature sets and custom builds available on request.

Unless otherwise specified, all kits will be shipped with one (1) full length Mylar® sleeve, two (2) phenolic washers, and two (2) steel washers per bolt.

Flange Insulation: RTJ Oval Type "D" Gasket Only

Gasket: Phenolic



RTJ GASKETS						
Pipe Size	150 Class	300 Class	400 Class	600 Class	900 Class	1500 Class
2"	•	•	•	•	•	•
2½"	•	•	•	•	•	•
3"	•	•	•	•	•	•
3½"	•	•	•	•	•	•
4"	•	•	•	•	•	•
5"	•	•	•	•	•	•
6"	•	•	•	•	•	•
8"	•	•	•	•	•	•
10"	•	•	•	•	•	•
12"	•	•	•	•	•	•
14"	•	•	•	•	•	•
16"	•	•	•	•	•	•
18"	•	•	•	•	•	•
20"	•	•	•	•	•	•
22"	•	•	•	•	•	•
24"	•	•	•	•	•	•

Larger sizes, high temperature sets and custom builds available on request.

Unless otherwise specified, all kits will be shipped with one (1) full length Mylar® sleeve, two (2) phenolic washers, and two (2) steel washers per bolt.

Flange Insulation:

Durlon® Gasket Flange Insulation Kits

Type "E" (Full Face)

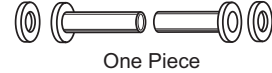
Sleeves: Mylar® and Poly Only (•): Mylar®, Poly and Minlon® (•); Washers: Phenolic



Single Washer Kits



Double Washer Kits



Pipe Size	SINGLE WASHER KITS						DOUBLE WASHER KITS					
	150 Class	300 Class	400 Class	600 Class	900 Class	1500 Class	150 Class	300 Class	400 Class	600 Class	900 Class	1500 Class
¾"	•	•	•	•	•	•	•	•	•	•	•	•
1"	•	•	•	•	•	•	•	•	•	•	•	•
1¼"	•	•	•	•	•	•	•	•	•	•	•	•
1½"	•	•	•	•	•	•	•	•	•	•	•	•
2"	•	•	•	•	•	•	•	•	•	•	•	•
2½"	•	•	•	•	•	•	•	•	•	•	•	•
3"	•	•	•	•	•	•	•	•	•	•	•	•
3½"	•	•	•	•	•	•	•	•	•	•	•	•
4"	•	•	•	•	•	•	•	•	•	•	•	•
5"	•	•	•	•	•	•	•	•	•	•	•	•
6"	•	•	•	•	•	•	•	•	•	•	•	•
8"	•	•	•	•	•	•	•	•	•	•	•	•
10"	•	•	•	•	•	•	•	•	•	•	•	•
12"	•	•	•	•	•	•	•	•	•	•	•	•
14"	•	•	•	•	•	•	•	•	•	•	•	•
16"	•	•	•	•	•	•	•	•	•	•	•	•
18"	•	•	•	•	•	•	•	•	•	•	•	•
20"	•	•	•	•	•	•	•	•	•	•	•	•
22"	•	•	•	•	•	•	•	•	•	•	•	•
24"	•	•	•	•	•	•	•	•	•	•	•	•
26"	•	•	•	•	•	•	•	•	•	•	•	•
28"	•	•	•	•	•	•	•	•	•	•	•	•
30"	•	•	•	•	•	•	•	•	•	•	•	•
32"	•	•	•	•	•	•	•	•	•	•	•	•
34"	•	•	•	•	•	•	•	•	•	•	•	•
36"	•	•	•	•	•	•	•	•	•	•	•	•

Larger sizes and high temperature sets available on request.

Unless otherwise specified, all kits will be shipped with one (1) full length Mylar® sleeve, two (2) phenolic washers, and two (2) steel washers per bolt.

Flange Insulation: SPECIAL APPLICATION

Durlon® Gasket Flange Insulation Kits Type “E” (Full Face)

Sleeves: NOMEX®; Washer: G7



Single Washer Kits



Double Washer Kits



Pipe Size	SINGLE WASHER KITS						DOUBLE WASHER KITS					
	150 Class	300 Class	400 Class	600 Class	900 Class	1500 Class	150 Class	300 Class	400 Class	600 Class	900 Class	1500 Class
3/4"	•	•	•	•	•	•	•	•	•	•	•	•
1"	•	•	•	•	•	•	•	•	•	•	•	•
1 1/4"	•	•	•	•	•	•	•	•	•	•	•	•
1 1/2"	•	•	•	•	•	•	•	•	•	•	•	•
2"	•	•	•	•	•	•	•	•	•	•	•	•
2 1/2"	•	•	•	•	•	•	•	•	•	•	•	•
3"	•	•	•	•	•	•	•	•	•	•	•	•
3 1/2"	•	•	•	•	•	•	•	•	•	•	•	•
4"	•	•	•	•	•	•	•	•	•	•	•	•
5"	•	•	•	•	•	•	•	•	•	•	•	•
6"	•	•	•	•	•	•	•	•	•	•	•	•
8"	•	•	•	•	•	•	•	•	•	•	•	•
10"	•	•	•	•	•	•	•	•	•	•	•	•
12"	•	•	•	•	•	•	•	•	•	•	•	•
14"	•	•	•	•	•	•	•	•	•	•	•	•
16"	•	•	•	•	•	•	•	•	•	•	•	•
18"	•	•	•	•	•	•	•	•	•	•	•	•
20"	•	•	•	•	•	•	•	•	•	•	•	•
22"	•	•	•	•	•	•	•	•	•	•	•	•
24"	•	•	•	•	•	•	•	•	•	•	•	•
26"	•	•	•	•	•	•	•	•	•	•	•	•
28"	•	•	•	•	•	•	•	•	•	•	•	•
30"	•	•	•	•	•	•	•	•	•	•	•	•
32"	•	•	•	•	•	•	•	•	•	•	•	•

Larger sizes and high temperature sets available on request.

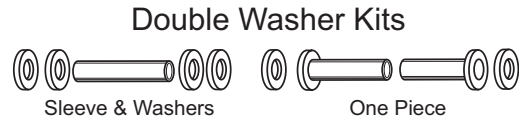
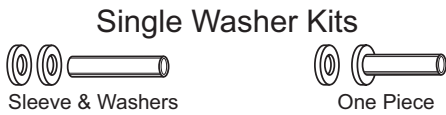
Unless otherwise specified, all kits will be shipped with one (1) full length Mylar® sleeve, two (2) phenolic washers, and two (2) steel washers per bolt.

Flange Insulation:

Durlon® Gasket Flange Insulation Kits Type "F" (Ring Gasket)



Sleeves: Mylar® and Poly Only (•): Mylar®, Poly and Minton® (•); Washers: Phenolic



Pipe Size	SINGLE WASHER KITS						DOUBLE WASHER KITS					
	150 Class	300 Class	400 Class	600 Class	900 Class	1500 Class	150 Class	300 Class	400 Class	600 Class	900 Class	1500 Class
¾"	•	•	•	•	•	•	•	•	•	•	•	•
1"	•	•	•	•	•	•	•	•	•	•	•	•
1¼"	•	•	•	•	•	•	•	•	•	•	•	•
1½"	•	•	•	•	•	•	•	•	•	•	•	•
2"	•	•	•	•	•	•	•	•	•	•	•	•
2½"	•	•	•	•	•	•	•	•	•	•	•	•
3"	•	•	•	•	•	•	•	•	•	•	•	•
3½"	•	•	•	•	•	•	•	•	•	•	•	•
4"	•	•	•	•	•	•	•	•	•	•	•	•
5"	•	•	•	•	•	•	•	•	•	•	•	•
6"	•	•	•	•	•	•	•	•	•	•	•	•
8"	•	•	•	•	•	•	•	•	•	•	•	•
10"	•	•	•	•	•	•	•	•	•	•	•	•
12"	•	•	•	•	•	•	•	•	•	•	•	•
14"	•	•	•	•	•	•	•	•	•	•	•	•
16"	•	•	•	•	•	•	•	•	•	•	•	•
18"	•	•	•	•	•	•	•	•	•	•	•	•
20"	•	•	•	•	•	•	•	•	•	•	•	•
22"	•	•	•	•	•	•	•	•	•	•	•	•
24"	•	•	•	•	•	•	•	•	•	•	•	•
26"	•	•	•	•	•	•	•	•	•	•	•	•
28"	•	•	•	•	•	•	•	•	•	•	•	•
30"	•	•	•	•	•	•	•	•	•	•	•	•
32"	•	•	•	•	•	•	•	•	•	•	•	•
34"	•	•	•	•	•	•	•	•	•	•	•	•
36"	•	•	•	•	•	•	•	•	•	•	•	•

Larger sizes and high temperature sets available on request.

Unless otherwise specified, all kits will be shipped with one (1) full length Mylar® sleeve, two (2) phenolic washers, and two (2) steel washers per bolt.

Flange Insulation: SPECIAL APPLICATION

Durlon® Gasket Flange Insulation Kits

Type "F" (Ring Gasket)

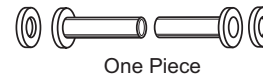
Sleeves: NOMEX®; Washer: G7



Single Washer Kits



Double Washer Kits



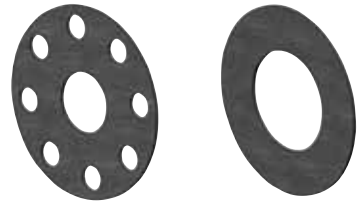
Pipe Size	SINGLE WASHER KITS						DOUBLE WASHER KITS					
	150 Class	300 Class	400 Class	600 Class	900 Class	1500 Class	150 Class	300 Class	400 Class	600 Class	900 Class	1500 Class
¾"	•	•	•	•	•	•	•	•	•	•	•	•
1"	•	•	•	•	•	•	•	•	•	•	•	•
1¼"	•	•	•	•	•	•	•	•	•	•	•	•
1½"	•	•	•	•	•	•	•	•	•	•	•	•
2"	•	•	•	•	•	•	•	•	•	•	•	•
2½"	•	•	•	•	•	•	•	•	•	•	•	•
3"	•	•	•	•	•	•	•	•	•	•	•	•
3½"	•	•	•	•	•	•	•	•	•	•	•	•
4"	•	•	•	•	•	•	•	•	•	•	•	•
5"	•	•	•	•	•	•	•	•	•	•	•	•
6"	•	•	•	•	•	•	•	•	•	•	•	•
8"	•	•	•	•	•	•	•	•	•	•	•	•
10"	•	•	•	•	•	•	•	•	•	•	•	•
12"	•	•	•	•	•	•	•	•	•	•	•	•
14"	•	•	•				•	•	•			
16"	•	•					•	•				
18"	•	•					•	•				
20"	•	•					•	•				
22"	•						•					
24"	•						•					
26"	•						•					
28"	•						•					
30"	•						•					

Larger sizes and high temperature sets available on request.

Unless otherwise specified, all kits will be shipped with one (1) full length Mylar® sleeve, two (2) phenolic washers, and two (2) steel washers per bolt.

Flange Insulation: SPECIAL APPLICATION

Durlon® Gasket Only
 Type "E" (Full Face) and
 Type "F" (Ring Gasket)



Pipe Size	TYPE "E" GASKET						TYPE "F" GASKET					
	150 Class	300 Class	400 Class	600 Class	900 Class	1500 Class	150 Class	300 Class	400 Class	600 Class	900 Class	1500 Class
3/4"	•	•	•	•	•	•	•	•	•	•	•	•
1"	•	•	•	•	•	•	•	•	•	•	•	•
1 1/4"	•	•	•	•	•	•	•	•	•	•	•	•
1 1/2"	•	•	•	•	•	•	•	•	•	•	•	•
2"	•	•	•	•	•	•	•	•	•	•	•	•
2 1/2"	•	•	•	•	•	•	•	•	•	•	•	•
3"	•	•	•	•	•	•	•	•	•	•	•	•
3 1/2"	•	•	•	•	•	•	•	•	•	•	•	•
4"	•	•	•	•	•	•	•	•	•	•	•	•
5"	•	•	•	•	•	•	•	•	•	•	•	•
6"	•	•	•	•	•	•	•	•	•	•	•	•
8"	•	•	•	•	•	•	•	•	•	•	•	•
10"	•	•	•	•	•	•	•	•	•	•	•	•
12"	•	•	•	•	•	•	•	•	•	•	•	•
14"	•	•	•	•	•	•	•	•	•	•	•	•
16"	•	•	•	•	•	•	•	•	•	•	•	•
18"	•	•	•	•	•	•	•	•	•	•	•	•
20"	•	•	•	•	•	•	•	•	•	•	•	•
22"	•	•	•	•	•	•	•	•	•	•	•	•
24"	•	•	•	•	•	•	•	•	•	•	•	•
26"	•	•	•	•	•	•	•	•	•	•	•	•
28"	•	•	•	•	•	•	•	•	•	•	•	•
30"	•	•	•	•	•	•	•	•	•	•	•	•
32"	•	•	•	•	•	•	•	•	•	•	•	•
34"	•	•	•	•	•	•	•	•	•	•	•	•
36"	•	•	•	•	•	•	•	•	•	•	•	•

Larger sizes and high temperature sets available on request.

Unless otherwise specified, all kits will be shipped with one (1) full length Mylar® sleeve, two (2) phenolic washers, and two (2) steel washers per bolt.

Flange Insulation: SPECIAL APPLICATION

Large Diameter Durlon® Gasket Only

Type “E” (Full Face) and Type “F” (Ring Gasket)



Pipe Size	TYPE “E” GASKET				TYPE “F” GASKET			
	150 Class	300 Class	400 Class	600 Class	150 Class	300 Class	400 Class	600 Class
38"	•	•	•	•	•	•	•	•
40"	•	•	•	•	•	•	•	•
42"	•	•	•	•	•	•	•	•
44"	•	•	•	•	•	•	•	•
46"	•	•	•	•	•	•	•	•
48"	•	•	•	•	•	•	•	•
50"	•	•	•	•	•	•	•	•
52"	•	•	•	•	•	•	•	•
54"	•	•	•	•	•	•	•	•
56"	•	•	•	•	•	•	•	•
58"	•	•	•	•	•	•	•	•
60"	•	•	•	•	•	•	•	•

Larger sizes and high temperature custom built sets available on request. Unless otherwise specified, all kits will be shipped with one (1) full length Mylar® sleeve, two (2) phenolic washers, and two (2) steel washers per bolt.

Flange Insulation: SPECIAL APPLICATION

High Temp Sleeve and Washer Set

Sleeves: NOMEX®; Washer: G7

Single Washer Kits



Sleeve & Washers

Double Washer Kits



Sleeve & Washers

Pipe Size	SINGLE WASHER KITS						DOUBLE WASHER KITS					
	150 Class	300 Class	400 Class	600 Class	900 Class	1500 Class	150 Class	300 Class	400 Class	600 Class	900 Class	1500 Class
¾"	•	•	•	•	•	•	•	•	•	•	•	•
1"	•	•	•	•	•	•	•	•	•	•	•	•
1¼"	•	•	•	•	•	•	•	•	•	•	•	•
1½"	•	•	•	•	•	•	•	•	•	•	•	•
2"	•	•	•	•	•	•	•	•	•	•	•	•
2½"	•	•	•	•	•	•	•	•	•	•	•	•
3"	•	•	•	•	•	•	•	•	•	•	•	•
3½"	•	•	•	•	•	•	•	•	•	•	•	•
4"	•	•	•	•	•	•	•	•	•	•	•	•
5"	•	•	•	•	•	•	•	•	•	•	•	•
6"	•	•	•	•	•	•	•	•	•	•	•	•
8"	•	•	•	•	•	•	•	•	•	•	•	•
10"	•	•	•	•	•	•	•	•	•	•	•	•
12"	•	•	•	•	•	•	•	•	•	•	•	•
14"	•	•	•	•	•	•	•	•	•	•	•	•
16"	•	•	•	•	•	•	•	•	•	•	•	•
18"	•	•	•	•	•	•	•	•	•	•	•	•
20"	•	•	•	•	•	•	•	•	•	•	•	•
22"	•	•	•	•	•	•	•	•	•	•	•	•
24"	•	•	•	•	•	•	•	•	•	•	•	•
26"	•	•	•	•	•	•	•	•	•	•	•	•
28"	•	•	•	•	•	•	•	•	•	•	•	•
30"	•	•	•	•	•	•	•	•	•	•	•	•

Larger sizes and high temperature sets available on request.

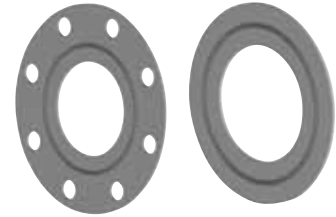
Unless otherwise specified, all kits will be shipped with one (1) full length Mylar® sleeve, two (2) phenolic washers, and two (2) steel washers per bolt.

Flange Insulation: SPECIAL APPLICATION

Jock Gasket Only

Type "E" (Full Face) and Type "F" (Ring Gasket)

Gasket: Phenolic with Viton® Seal, G3 with Viton® Seal or G10 with Viton®



Pipe Size	TYPE "E" GASKET						TYPE "F" GASKET					
	150 Class	300 Class	400 Class	600 Class	900 Class	1500 Class	150 Class	300 Class	400 Class	600 Class	900 Class	1500 Class
2"	•	•	•	•	•	•	•	•	•	•	•	•
2½"	•	•	•	•	•	•	•	•	•	•	•	•
3"	•	•	•	•	•	•	•	•	•	•	•	•
3½"	•	•	•	•	•	•	•	•	•	•	•	•
4"	•	•	•	•	•	•	•	•	•	•	•	•
5"	•	•	•	•	•	•	•	•	•	•	•	•
6"	•	•	•	•	•	•	•	•	•	•	•	•
8"	•	•	•	•	•	•	•	•	•	•	•	•
10"	•	•	•	•	•	•	•	•	•	•	•	•
12"	•	•	•	•	•	•	•	•	•	•	•	•
14"	•	•	•	•	•	•	•	•	•	•	•	•
16"	•	•	•	•	•	•	•	•	•	•	•	•
18"	•	•	•	•	•	•	•	•	•	•	•	•
20"	•	•	•	•	•	•	•	•	•	•	•	•
22"	•	•	•	•	•	•	•	•	•	•	•	•
24"	•	•	•	•	•	•	•	•	•	•	•	•
26"	•	•	•	•	•	•	•	•	•	•	•	•
28"	•	•	•	•	•	•	•	•	•	•	•	•
30"	•	•	•	•	•	•	•	•	•	•	•	•
32"	•	•	•	•	•	•	•	•	•	•	•	•
34"	•	•	•	•	•	•	•	•	•	•	•	•
36"	•	•	•	•	•	•	•	•	•	•	•	•

Larger sizes and high temperature sets (G3, G7 & G10) available on request.

Unless otherwise specified, all kits will be shipped with one (1) full length Mylar® sleeve, two (2) phenolic washers, and two (2) steel washers per bolt.

STACprime
STACfill
STACwrap
STACguard



Petrolatum Coating Products

The Right Connection

+GF+

1-800-654-3872
1-405-273-6302

www.centralplastics.com



Petrolatum Coating Products: STAC Coating System Overview

Surface Tolerant Anti-Corrosion Products

The STAC coating system is a petrolatum-based, multi-layer barrier designed to isolate all metal surfaces. STAC systems were developed for long-term protection of metal surfaces in the most severe atmospheric, buried, and submerged environments. The STAC coating system is not a form of paint, but rather a foolproof, multi-purpose, hand-applied membrane wrap system. The petrolatum-based compound found in each of the components of the STAC coating system is chemically inert and contains no VOCs. The coating does not polymerize and harden like all conventional coatings, but remains thermoplastic and pliable throughout its service life. This non-hardening and non-cracking characteristic accommodates vibrations and movement of the substrate over a very wide temperature range. STAC coatings are applied over wire-brushed surfaces so no abrasive blasting is required.

The STAC system consists of:

STACprime: A brush-applied, paste-like product that displaces surface moisture, passivates surface oxides, fills surface imperfections and ensures adhesion between STACwrap and the substrate. It is non-drying, non-hardening, impervious to water, highly resistant to mineral acids, alkalis and salts, non-toxic and non-flammable.

STACfill: A putty-like compound used to improve the contour of irregular shaped items. It is used for profiling around valves, flanges, fittings, nuts, bolts and other irregular shapes prior to wrapping with STACwrap. It is a non-hardening, self-supporting, compound which accommodates vibration and mechanical stress. It is highly resistant to mineral acids, alkalis and salts, non-toxic and non-flammable.

STACwrap: A stitch bonded fabric saturated with a petrolatum compound for a long lasting outer barrier resulting in long term corrosion protection, sealing and waterproofing of atmospheric, buried and submerged metal surfaces. The high degree of conformality of STACwrap allows for easy application over irregular surface profiles. It is a non-woven, stitch-bonded, synthetic fabric carrier; fully saturated and coated with a neutral petrolatum compound blended with inert fillers and corrosion inhibitors. It is stable in composition and plasticity over a wide temperature range. It is a non-hardening, self-supporting compound which accommodates vibration and mechanical stress. It is highly resistant to mineral acids, alkalis and salts, non-toxic and non-flammable.

STACguard: A tough, conformable, pressure sensitive over wrap which provides increased mechanical strength and electrical resistance when applied over STACwrap for protection against backfill and soil stress. It is a plasticized self-adhesive PVC material that is highly impermeable to water, water vapor and air. It has excellent long term resistance to alkalis, acids, oil and bacteria.

STAC Coating System: STACprime



STACprime and STACprime UW SPECIFICATIONS

	STACprime		STACprime UW	
Application Temperature Range	23°F to 130°F	(-5°C to 55°C)	23°F to 130°F	(-5° to 55°C)
Service Temperature Range	-270°F to 180°F	(-168°C to 80°C)	-270°F to 180°F	(-168°C to 80°C)
Flash Point	320°F	(160°F)	356°F	(180°C)
Coverage	9.25 ft ² /lb	(2 to 5 m ² /ltr.)	3.70 ft ² lb	(1 to 3 m ² ltr)
Packaging	7 lbs, 44 lbs/bucket	(4 ltr., 20 ltr./bucket)	7 lb bucket	(4 ltr bucket)

STACprime Coating System

Part Number	Product	Description	Weight
5810000	STACprime	4 @ 7# Containers / per case	29.00
5810002	STACprime UW	4 @ 7# Containers / per case	29.00
5810064	STACprime White	4 @ 7# Containers / per case	29.00

STAC Coating System: STACfill and STACfill Lite



STACfill & STACfill Lite SPECIFICATIONS

	STACfill		STACfill Lite	
Density	.05 in ³ /lb	(1.38 g/cm ³)	.02 in ³ /lb	(0.61 g/cm ³)
Application Temperature	23°F to +165°F	(-5° to +55°C)	23°F to + 165°F	(-5° to +55°C)
Operation Temperature	-270°F to +180°F	(-168° to +80°C)	-270°F to + 180°F	(-168° to + 80°C)
Packaging	6.6 lb/block	(3 Kg/block)	2.9 lb/block	(1.3 Kg/block)

STACfill Coating System

Part Number	Product	Description	Weight
5810003	STACfill	8 @ 6.6# Blocks / per case	52.80
10001046	STACfill Lite	8 @ 2.9# Blocks / per case	23.20

STAC Coating System: STACwrap



STACwrap SPECIFICATIONS

Tensile Strength	45 lbf/in min	(200 N/25mm)
Water Vapor Permeability	0.006 Perms avg.	(ASTM E96-66 A)
Breakdown Voltage	16 Kv min with 55% overlap	
Mass	0.295 lb/ft ² avg	(1.44 kg/m ² avg)
Application Temperature Range	23°F to 165°F	(-5°C to 55°C)
Service Temperature Range	-270°F to 180°F	(-168°C to 80°C)
Thickness	>40 mils	(>1.0 mm avg)
Length	33 ft roll	(10 m roll)
Standard Widths	2" to 12"	(50 mm to 300 mm)
Packaging	72" × 33'/case	(18 m ² /case)

STACwrap Coating System

Part Number	Product	Description	Weight
5810004	STACwrap 2"	36 Rolls @ 33' each / per case	62.00
5810005	STACwrap 3"	24 Rolls @ 33' each / per case	61.00
5810006	STACwrap 4"	18 Rolls @ 33' each / per case	59.00
5810007	STACwrap 6"	12 Rolls @ 33' each / per case	56.00
5810008	STACwrap 8"	8 Rolls @ 33' each / per case	51.00
5810009	STACwrap 12"	6 Rolls @ 33' each / per case	63.00

STAC Coating Systems: STACguard



STACguard SPECIFICATIONS

Tensile Strength	40 lbf/in min	(200 N/25mm)
Elongation at Break	180%	
Breakdown Voltage	19 Kv single layer	(300g/25 mm)
Adhesion	10.5 oz/in width	(390 g/25 mm)
Application Temperature Range	23°F to 130°F	(-5°C to 55°C)
Service Temperature Range	-232°F to 180°F	(-147°C to 80°C)
Thickness	>10 mils	(>0.25 mm avg.)
Length	134 ft roll	(41 m roll)
Widths	2" to 12"	(25 mm to 300 mm roll)

STACguard Coating System

Part Number	Product	Description	Weight
call	STACguard 2"	32 Rolls @ 134' each / per case	27.50
5810031	STACguard 4"	16 Rolls @ 134' each / per case	37.30
5810032	STACguard 6"	10 Rolls @ 134' each / per case	25.70

STAC Coating System: Chemical Resistance Performance

STAC COATING SYSTEM					
Category	Chemical Concentration % by Volume			After 3 Months	After 1 Year
Acids Inorganic	Nitric Acid (HNO ₃)	10%	○	×	■
		50%	×		×
	Sulfuric Acid (H ₂ SO ₄)	10%	●	■	×
		25%	×		×
Chloric Acid (HClO ₃)	10%	○	●	□	
	CONC	×		×	
Phosphoric Acid (H ₃ PO ₃)	50%	●	□	×	
	90%	×		□	
Acids Organic	Acetic Acid (CH ₃ COOH)	10%	○		□
	Formic Acid (HCOOH)	10%	●		×
	Lactic Acid (C ₃ H ₆ O ₃)	10%	●		×
	Boric Acid (H ₃ BO ₃)	10%	□		□
	Tartaric Acid (C ₄ H ₆ O ₆)	10%	○		○
	Oxalic Acid (COOH) ₂	10%	○		○
	Citric Acid (C ₆ H ₈ O ₇)	10%	○		○
Alkalis	Ammonium (NH ₄)	28%	○		○
	Caustic Soda (NaOH) (Sodium Hydroxide)	5%	○		○
		20%	○		○
	Caustic Potash (KOH) (Potassium Hydroxide)	5%	○		○
Carbonic Soda	20%	○		○	
Salt, etc.	Sodium Chloride (NaCl)	20%	○		○
	Ammonium Sulfate (NH ₄) ₂ SO ₄	20%	○		○
	Hydrogen Peroxide (H ₂ O ₂)	20%	○		○

○ - No Damage □ - Slight Damage ■ - Damage ● - Great Damage × - Complete Destruction

STAC Coating System: Quantity Estimate and Coverage

NOTE: Quantities and calculations are estimates

STACwrap

All Pipe Sizes: 1" Overlap

$$1. \text{ No. of Rolls} = \frac{.21 \times \text{length of pipe in feet} \times \text{O.D. in inches}}{\text{Twice width of wrap in inches, less 2"}}$$

All Pipe Sizes: 55% Overlap

$$2. \text{ No. of Rolls} = \frac{.23 \times \text{length of pipe in feet} \times \text{O.D. in inches}}{\text{Width of wrap in inches}}$$

3. Recommended width of wrap

- A. Pipe up to 3" diameter: 2" wrap
- B. Pipe 4"-6" diameter: 4" wrap
- C. Pipe 8"-12" diameter: 6" wrap

STACprime

- 1. 7 Pounds of prime per case of wrap w/1" overlap
- 2. 22 Square feet of coverage per pound
10 Square feet of coverage per pound underwater

STACfill		
Pipe Diameter	Flange Pairs (lbs of STACfill)	Flange Valves (lbs of STACfill)
2"	3.00	6.25
3"	4.75	9.50
4"	6.25	12.50
5"	8.00	15.75
6"	9.50	19.00
8"	12.50	25.00
10"	16.00	31.50
12"	19.00	38.00
14"	22.00	44.00
16"	25.00	50.25
18"	28.25	56.50
20"	31.50	63.00
22"	35.00	69.00
24"	38.00	75.50
30"	47.00	94.25
36"	57.00	113.00
40"	63.00	126.00
44"	69.00	138.25
48"	75.50	151.00
60"	94.25	188.50

STACwrap and STACguard Coverage Rates (Sq ft of surface area per roll)

Product	Roll Length	55% Overlap	1" Overlap
STACwrap 2"	33 ft	2.30	n/a
STACwrap 3"	33 ft	3.44	5.00
STACwrap 4"	33 ft	4.59	7.49
STACwrap 6"	33 ft	6.89	12.49
STACwrap 8"	33 ft	9.18	17.48
STACwrap 12"	33 ft	13.77	27.47
STACguard 2"	134 ft	6.90	n/a
STACguard 4"	134 ft	13.77	22.47
STACguard 6"	134 ft	20.67	37.47

Rod Guides

Features and Benefits

Full 360° Gripping Action

- No slippage, more pounds per square inch of holding power
- No rod whippage, less stress on pump and rods

Straight Line Flow

- Less flow restriction, provides maximum fluid by-pass
- Does not redirect potentially abrasive fluids onto rods or tubing

Large Surface Area

- Wearability, continuous strength as guides become worn
- Less maintenance between pump service
- Longer not and tubing life, better stabilization and less pump strain

Internal Ribs

- Prevents rod corrosion, allows rust inhibitors to flow behind the guide
- High strength ribs compress to the rod to compensate for varying rod dimension tolerances for continuous holding power

Long Life Capron Material

- Excellent strength characteristics, low notch sensitivity and high abrasion resistance
- Chemical resistance, unaffected by crude, paraffin, acid inhibitors and other well fluids
- Tough, will not alter its characteristics between -20°F and +160°F
- Returns to original holding strength after hot oiling



ROD GUIDES

Size	Part Number	Carton Qty.
5/8" × 2"	001-580000-000	35
3/4" × 2"	001-340000-000	35
7/8" × 2"	001-780000-000	35
5/8" × 2 1/2"	001-258000-000	25
3/4" × 2 1/2"	001-234000-000	25
7/8" × 2 1/2"	001-278000-000	25
1" × 2 1/2"	001-200000-000	25

Waga Fittings



WAGA MULTI/JOINTS® 3007 WIDE RANGE COUPLING

Size	Description	Part Number	Box Qty	Weight
3" IPS/DIPS	EPDM, POLYFIKSER, 304 SS, DN80	10008179		
4" IPS/DIPS	EPDM, POLYFIKSER, 304 SS, DN100	10008180		
6" IPS/DIPS	EPDM, POLYFIKSER, 304 SS, DN150	10008181		
8" IPS/DIPS	EPDM, POLYFIKSER, 304 SS, DN200	10008182		
10" IPS/DIPS	EPDM, POLYFIKSER, 304 SS, DN250	10008183		
12" IPS/DIPS	EPDM, POLYFIKSER, 304 SS, DN300	10008184		

WAGA MULTI/JOINTS® 3207 WIDE RANGE CAP

Size	Description	Part Number	Box Qty	Weight
3" IPS/DIPS	EPDM, POLYFIKSER, 304 SS, DN80	10008185		
4" IPS/DIPS	EPDM, POLYFIKSER, 304 SS, DN100	10008186		
6" IPS/DIPS	EPDM, POLYFIKSER, 304 SS, DN150	10008187		
8" IPS/DIPS	EPDM, POLYFIKSER, 304 SS, DN200	10008188		
10" IPS/DIPS	EPDM, POLYFIKSER, 304 SS, DN250	10008189		
12" IPS/DIPS	EPDM, POLYFIKSER, 304 SS, DN300	10008190		

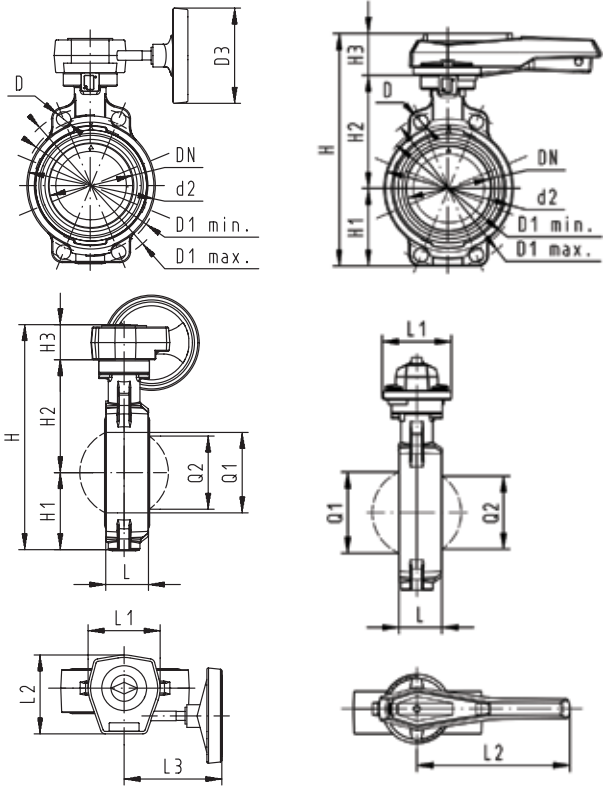
WAGA MULTI/FIKSER® SET

Size	Description	Part Number	Box Qty	Weight
3" IPS/DIPS	DN80	10008197		
4" IPS/DIPS	DN100	10008198		
6" IPS/DIPS	DN150	10008199		
8" IPS/DIPS	DN200	10008200		
10" IPS/DIPS	DN250	10008201		
12" IPS/DIPS	DN300	10008202		

WAGA POLY/FIKSER® SET

Size	Description	Part Number	Box Qty	Weight
3" IPS/DIPS	DN80	10008203		
4" IPS/DIPS	DN100	10008204		
6" IPS/DIPS	DN150	10008205		
8" IPS/DIPS	DN200	10008206		
10" IPS/DIPS	DN250	10008207		
12" IPS/DIPS	DN300	10008208		

Butterfly Valves: PVC



BUTTERFLY VALVE: PVC

Size	Part Number	Box Qty	Weight	Lever	Seal
2" IPS	10009425	1	6.61	Hand Lever	FPM
3" IPS	10009426	1	7.12	Hand Lever	FPM
4" IPS	10009427	1	8.25	Hand Lever	FPM
6" IPS	10009428	1	10.98	Hand Lever	FPM
2" IPS	10009429	1	6.61	Gear Operator	FPM
3" IPS	10009430	1	7.12	Gear Operator	FPM
4" IPS	10009431	1	8.25	Gear Operator	FPM
6" IPS	10009432	1	10.98	Gear Operator	FPM
8" IPS	10009433	1	13.58	Gear Operator	FPM
10" IPS	10009434	1	28.86	Gear Operator	NITRILE
12" IPS	10009435	1	35.43	Gear Operator	NITRILE

BUTTERFLY VALVE HAND LEVER DIMENSIONS

Size	d [mm]	D [inch]	D1 min. [inch]	D1 max. [inch]	d2 [inch]	H [inch]	H1 [inch]	H2 [inch]	H3 [inch]	L [inch]	L1 [inch]	L2 [inch]	Q1 [inch]	Q2 [inch]
2" IPS	63	0.75	4.72	4.92	4.09	10.39	3.03	5.28	2.13	1.77	4.17	8.07	1.57	
3" IPS	90	0.75	5.91	6.3	5.16	11.38	3.5	5.75	2.13	1.93	4.17	8.07	2.64	1.97
4" IPS	110	0.75	6.89	7.5	6.34	12.8	4.09	6.57	2.17	2.2	4.17	10.04	3.46	2.91
6" IPS	160	0.94	9.5	9.5	8.46	14.69	5.12	7.44	2.17	2.83	4.17	10.04	5.47	4.84

BUTTERFLY VALVE GEAR OPERATOR DIMENSIONS

Size	d [mm]	D [inch]	D1 min. [inch]	D1 max. [inch]	d2 [inch]	D3 [inch]	H [inch]	H1 [inch]	H2 [inch]	H3 [inch]	L [inch]	L1 [inch]	L2 [inch]	Q1 [inch]	Q2 [inch]
2" IPS	63	0.75	4.72	4.92	4.09	5.91	3.03	5.28	1.97	1.77	4.33	4.72	6.1	1.57	
3" IPS	90	0.75	5.91	6.3	5.16	5.91	3.5	5.75	1.97	1.93	4.33	4.72	6.1	2.64	1.97
4" IPS	110	0.75	6.89	7.52	6.3	5.91	4.09	6.57	1.97	2.2	4.33	4.72	6.1	3.46	2.91
6" IPS	160	0.94	9.49	9.49	8.46	5.91	5.12	7.44	1.97	2.83	4.33	4.72	6.1	5.47	4.84
8" IPS	225	0.91	11.42	11.61	10.51	5.91	6.22	8.27	1.97	2.87	4.33	4.72	6.1	7.01	6.65
10" IPS	280	0.98	13.9	14.25	12.95	7.87	8.07	10.39	2.17	4.45	5.12	5.51	7.87	8.27	8.15
12" IPS	315	0.98	15.75	17.01	14.92	7.87	8.98	11.22	2.17	4.45	5.12	5.51	7.87	10.08	9.96

Pipe Size Reference Chart: OD Controlled PE Pipe IPS, DIPS and CTS

OD CONTROLLED NOMINAL PE PIPE SIZES

Pipe Size (Nominal)	CTS		IPS		DIPS	
	O.D.	Circumference	O.D.	Circumference	O.D.	Circumference
½"	0.63"	1.98"	0.84"	2.64"		
¾"	0.88"	2.75"	1.05"	3.30"		
1"	1.13"	3.53"	1.32"	4.13"		
1¼"	1.38"	4.32"	1.66"	5.22"		
1½"	1.63"	5.11"	1.90"	5.97"		
2"	2.13"	6.68"	2.37"	7.46"		
2½"			2.87"	9.03"		
3"			3.50"	11.00"	3.69"	12.44"
4"			4.50"	14.14"	4.80"	15.08"
5"			5.56"	17.47"		
6"			6.63"	20.81"	6.90"	21.68"
8"			8.63"	27.10"	9.05"	28.43"
10"			10.75"	33.77"	11.10"	34.87"
12"			12.75"	40.06"	13.20"	41.47"
14"			14.00"	43.98"	15.30"	48.07"
16"			16.00"	50.27"	17.40"	54.66"
18"			18.00"	56.55"	9.50"	61.26"
20"			20.00"	62.83"	21.60"	67.86"
22"			22.00"	69.12"		
24"			24.00"	75.40"	25.80"	81.05"
26"			26.00"	81.68"		
28"			28.00"	87.96"		
30"			30.00"	94.25"	32.00"	100.53"
32"			32.00"	100.53"		
34"			34.00"	106.81"		
36"			36.00"	113.10"	38.30"	120.32"
42"			42.00"	131.95"	44.50"	139.80"
48"			48.00"	150.80"	50.80"	159.59"
52"			52.00"	163.36"		
54"			54.00"	169.65"		
63"			63.00"	197.92"		

Calculating a PE Pipe's Standard Dimension Ratio (SDR):

Example of 2" IPS Cross Section ASTM D2513 PE Pipe

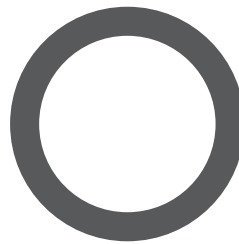
$$\frac{D}{T} = DR$$

When:

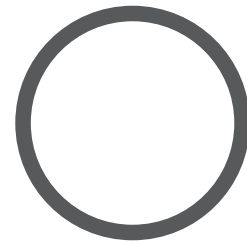
D = Average outside pipe diameter

T = Minimum Wall Thickness

DR = Dimensional Ratio



2" IPS SDR 7
Min. Wall Thickness = .339
OD = 2.375



2" IPS SDR 11
Min. Wall Thickness = .216
OD = 2.375

Note: The smaller the SDR number, the thicker the pipe wall and the higher the pressure rating.



GEORG FISCHER
PIPING SYSTEMS

QUALITY

International Standards Organization

Committee of European Normalization

Factory Mutual

International Association of Plumbing and Mechanical Officials

American Society of Testing Material

Korean Standard

British Standard

Japanese Industrial Standard

State Gas Company of Argentina

German Institute of Normalization

AFFILIATIONS

TIMELINE



1955

Invented the Insulated Meter Swivel



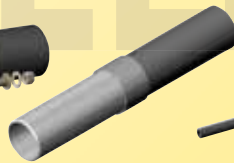
1956

Invented the Insulated Union



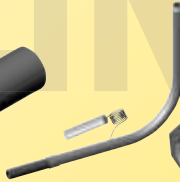
1959

Began Manufacturing Flange Insulation Products



1965

Invented Steel to Polyethylene Transition Fittings



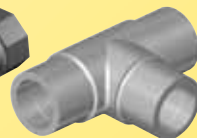
1967

Invented Steel to Polyethylene Risers



1968

Began Manufacturing Metal Compression Fittings



1979

Began Manufacturing Polyethylene Fittings



1980

Introduced Fusion Equipment & Hand Tools



Georg Fischer Central Plastics practices responsible engineering and manufacturing policies through strict adherence to Quality Assurance Programs and staying abreast of industry trends through many trade associations, standards organizations and testing authorities.

American Petroleum Institute

Canadian Standard Association

National Sanitation Foundation

Department of Transportation / Transportation Safety Institute

National Association of Corrosion Engineers

American Society of Mechanical Engineers

American Water Works Association

American National Standards Institute

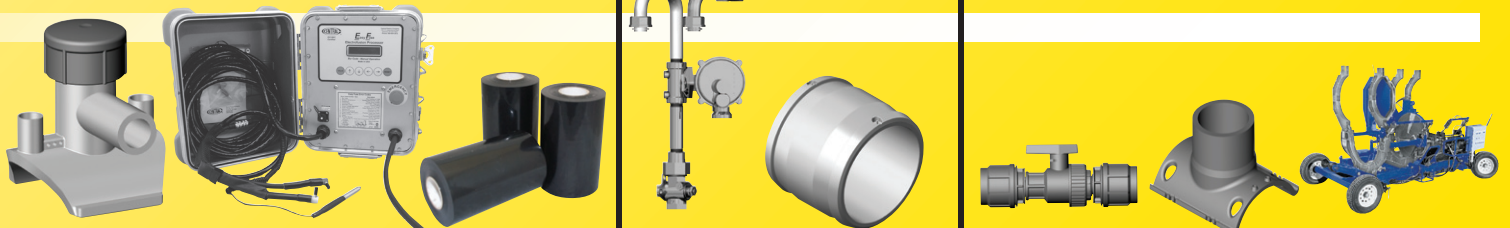
Plastic Pipe Institute

National Fire Protection Agency

American Gas Association

Initial ISO 9001 Certification

2001 www.centralplastics.com
2005 CPC Online Store



1982

1987

1991

1999

2000

2005

2007

2007

Introduced Electrofusion Fittings to U.S. Market

Began Manufacturing Electrofusion Processors & Equipment

Began Manufacturing Petrolatum Tape Products

Acquired Schuler Manufacturing and Began Manufacturing Meter Sets

Introduced Large Diameter Electrofusion Couplings

Introduced Plastic Mechanical Compression Fittings

Introduced Full Pressure Large Diameter Branch Saddles

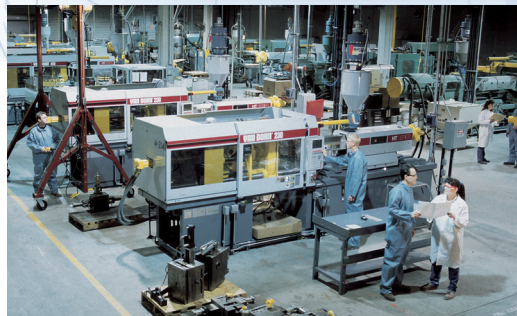
Acquired Connectra Fusion Technologies

for over 50 years...

- Recognized as the complete “go to” connector source
- Providing dependable connections for metal and plastic piping systems
- Dedicated to making our customers a success
- Cooperatively solving problems
- Relentlessly analyzing customer needs

Start your next project with revolutionary new products and the most complete range of proven traditional products.

Georg Fischer Central Plastics was established in Shawnee, Oklahoma in 1955 and since then has supplied its customers with the highest quality connective products and services for the piping industry. It is an ISO 9001:2000 registered company, operating a compliant quality system under this registration.



Georg Fischer Central Plastics

39605 Independence • P.O. Box 3129 • Shawnee, Oklahoma 74801 U.S.A.

Phone: (405) 273-6302 • (800) 654-3872

Fax: (405) 273-5993 • Fax U.S. and Canada: (800) 733-5993

www.centralplastics.com • gfccentral.ps@georgfischer.com

Georg Fischer Central Plastics believes the information in this catalog is accurate as of its publication date. Such information is subject to change without notice. Georg Fischer Central Plastics is not responsible for inadvertent errors.

Lit #CP100 (1/2011)

©2011 Georg Fischer Central Plastics



GEORG FISCHER
PIPING SYSTEMS

