



Products listed in this book are not always carried in factory/distributor inventory, nor are all products available through all distribution channels. Consult your Distributor for availability and shipping information.

Since Trane has a policy of continuous product improvement, it reserves the right to change design and specification without notice.



It's Hard To Stop A Trane.®

Table of Contents

Product Family Page No.

Model Nomenclature
Model Nomenclature Accessories

SPLIT SYSTEM COOLING

2-1/2, 3, 4, 5 Ton **XL19i** (2TTZ9) SC-1
 2, 3, 4, 5 Ton **XL16i** (4TTX6) SC-2
 2-4 Ton **XL15i** (2TTX5) SC-3
 1-1/2-5 Ton **XL14i** (2TTX4) SC-4
 1-1/2-5 Ton **XL14i** (4TTX4) SC-5
 1-1/2-5 Ton **XR14** (2TTR4) SC-6
 1-1/2-5 Ton **XR14** (4TTR4) SC-7
 1-1/2-5 Ton **XR13** (2TTR3) SC-8
 1-1/2-5 Ton **XR13** (4TTR3) SC-9
 1-1/2-5 Ton **XB13** (2TTB3) SC-10
 1-1/2-5 Ton **XB13** (4TTB3) SC-11
 2-1/2-5 Ton (2TTA3) SC-12
 2-1/2-5 Ton (4TTA3) SC-13
 2-1/2-6 Ton (2TTA0) SC-14
 7-1/2-10 Ton (TTA) SC-15
 10-20 Ton (TTA120-240B) SC-16
 10-20 Ton (TTA120-180C) SC-18
 20 Ton (TTA240F) SC-19
 7-1/2-20 Ton Accessories (TTA) SC-20
 7-1/2-20 Ton Thermostats (TTA) SC-22

SPLIT SYSTEM HEAT PUMP

2-1/2, 3, 4, 5 Ton **XL19i** (2TWZ9) SH-1
 2, 3, 4, 5 Ton **XL16i** (4TWX6) SH-2
 2-4 Ton **XL15i** (2TWX5) SH-3
 1-1/2-5 Ton **XL14i** (2TWX4) SH-4
 2-5 Ton **XL14i** (4TWX4) SH-5
 1-1/2-5 Ton **XR14** (2TWR4) SH-6
 2-5 Ton **XR14** (4TWR4) SH-7
 1-1/2-5 Ton **XR13** (2TWR3) SH-8
 1-1/2-5 Ton **XR13** (4TWR3) SH-9
 1-1/2-5 Ton **XB13** (2TWB3) SH-10
 1-1/2-5 Ton **XB13** (4TWB3) SH-11
 2-1/2-5 Ton (2TWA3) SH-12
 2-1/2-5 Ton (4TWA3) SH-13
 2-1/2-6 Ton (2TWA0) SH-14
 7-1/2-10 Ton (TWA) SH-15
 15-20 Ton (TWA) SH-16
 7-1/2-20 Ton Thermostats (TWA) SH-17

AIR HANDLERS

Nomenclatures AH-1-4
 Variable Speed Convertible Air-Tite™ for R-410A (2TEE3) AH-5
 Variable Speed Convertible Air-Tite™ for R-410A (4TEE3) AH-6
 Variable Speed Accessories & Heaters (2/4TEE3) AH-7
 Vertical Bottom and Front Return Air-Tite™ for R-22 (2TFB) AH-8
 Var. Speed Vertical Bottom/Front Return Air-Tite™ (2/4TFE) AH-9
 High Efficiency Convertible Air-Tite™ (2TEH) AH-10
 High Efficiency Convertible Air-Tite™ (4TEH) AH-11
 Convertible Air-Tite™ for R-22 (2TEC) AH-12
 Convertible Air-Tite™ for R-410A (4TEC) AH-13
 Vertical Upflow and Horizontal Left Air-Tite™ for R-22 (2TGB) AH-14
 Convertible 5-10 Ton (TWE-A/B) AH-15
 Convertible 5-10 Ton Accessories (TWE-A/B) AH-16
 Convertible 5-10 Ton Heaters (TWE-A/B) AH-18
 Convertible 15-20 Ton (TWE-B) AH-19
 Convertible 15-20 Ton (TWE-E) AH-20
 Convertible 15-20 Ton Accessories (TWE-B/E) AH-21

FURNACES AND COILS

Gas Furnace Nomenclatures FU-1-2
XB80 Upflow/Horizontal, Downflow/Horizontal (TUE1, TDE1) FU-3
XR80 Upflow/Horizontal (TUD1) FU-4
XR80 Downflow/Horizontal (TDD1) FU-5
XT80 Upflow/Horizontal (TUD1-H) FU-6
XT80 Downflow/Horizontal (TDD1-H) FU-7

Product Family Page No.

FURNACES AND COILS (continued)

XL80 Induced Draft Upflow/Horizontal (TUD2) FU-8
XL80 Induced Draft Downflow/Horizontal (TDD2) FU-9
XV80 Variable Speed (TUD,TDD) FU-10
XB90 Upflow/Horizontal (TUC1) FU-11
XB90 Downflow/Horizontal (TDC1) FU-12
XR90 Direct Vent/ Non-Direct Upflow/Horizontal (TUX1) FU-13
XR90 Direct Vent/ Non-Direct Downflow/Horizontal (TDX1) FU-14
XT90 Direct Vent/ Non-Direct Upflow/Horizontal (TUX1-H) FU-15
XT90 Direct Vent/ Non-Direct Downflow/Horizontal (TDX1-H) FU-16
XL90 Two Stage Upflow/Horizontal (TUX2) FU-17
XL90 Two Stage Downflow/Horizontal (TDX2) FU-18
XV90 Two Stage Variable Speed Upflow/Horizontal (TUY) FU-19
XV90 Two Stage Variable Speed Downflow/Horizontal (TDY) FU-20
 Special Use Furnace Accessories FU-21
 Quick Reference- Upflow/Horizontal FU-23
 Quick Reference- Downflow/ Horizontal FU-25
 Variable Speed High Efficiency Oil Furnaces FU-27
 High Efficiency Oil Furnaces FU-28
 Coil Enclosures FU-29
 Heat Pump/ Cooling Coil Nomenclatures FU-30-31
 Aluminum High Efficiency Cased Coils (2TXC) FU-32
 High Efficiency Cased Comfort™ Coils (TXC, 2/4TXF) FU-33
 High Efficiency Cased Comfort™ Coils for R-410A (RXC, RXA) FU-34
 Reversible Cased Comfort™ Coils (2TXC) FU-35
 Split System Cased Comfort™ Coils (2/4TXC) FU-36
 Split System Cooling Only Cased Coils (2/4CXC) FU-37
 Split System Cooling Only Uncased Coils (2/4CXA) FU-38
 Reversible Aluminum Cased Comfort™ Coils (2TXC) FU-39
 Split System Aluminum Cased Comfort™ Coils (2/4TXC) FU-40
 Split System Cooling Only Aluminum Cased Coils (2/4CXC) FU-41
 Split System Cooling Only Aluminum Uncased Coils (2/4CXA) FU-42
 Comfort™ Coils Dual Circuit Cased Coils (TXC) FU-43

IAQ/CONTROLS & ACCESSORIES

CleanEffects™ Whole House Air Cleaner (TFD) IC-1
 CleanEffects™ Upgrade Kit (TFD) IC-2
 Perfect Fit™ Electronic Air Cleaners (TFE) IC-3
 Perfect Fit™ Filter Enclosures (TFP, TFM) IC-4-5
 Perfect Fit™ Filter Accessories IC-6
 Energy Recovery Ventilator (ERV) Model Nomenclature IC-7
 FreshEffects™ Energy Recovery Ventilator (TERV) IC-8
 +1 Add On Heat Pump Control Kit IC-9
 Humidifiers Fan Powered and Bypass IC-10
 Linesets IC-11
 Comfort Controls for Cooling, Gas Heating, Electric Heating IC-12
 Comfort Controls for Heat Pumps IC-13
 Tracker/VariTrac IC-14-23
 Integrated Zone™ System IC-24-29
 Thermal Expansion Valve Accessories IC-30-31
 Thermal Expansion Valve Kits (R-410A, R-22) IC-32

PACKAGED COOLING

Nomenclature (4TCY) PC-1
 2-4 Ton **XL14c** (4TCY) PC-2
 2-4 Ton **XL14c** Heaters (4TCY) PC-3
 2-4 Ton **XL14c** Accessories (4TCY) PC-4
 1-1/2-5 Ton **XB13c** (4TCC) PC-5
 1-1/2-5 Ton **XB13c** Heaters (4TCC) PC-6
 1-1/2-5 Ton **XB13c** Accessories (4TCC) PC-7
 1-1/2-5 Ton **XL13c** (4TCX) PC-8
 1-1/2-5 Ton **XL13c** Heaters (4TCX) PC-9
 1-1/2-5 Ton **XL13c** Accessories (4TCX) PC-10
 Nomenclature (TCK-B) PC-11
 2-3-1/2 Ton (TCK-B) PC-12
 2-5 Ton **XE 1300** (TCH-C, TCH-F) PC-13
 2-3-1/2 Ton **XE 1300** Comfort Controls (TCH-C) PC-14
 Nomenclature Precedent™ Packaged Cooling PC-15
 3-10 Ton (TSC) PC-16
 3-10 Ton (THC) PC-17
 3-10 Ton Heaters (TSC, THC) PC-18



It's Hard To Stop A Trane.®

Table of Contents

Product Family Page No.

PACKAGED COOLING (continued)

3-10 Ton Options (TSC, THC)	PC-19-23
3-5 Ton Accessory Heaters (TSC, THC)	PC-24
6-10 Ton Accessory Heaters (TSC, THC)	PC-25
3-10 Ton Accessories (TSC, THC)	PC-26-27
3-10 Ton Zone Sensors Thermostats (TSC, THC)	PC-28
Nomenclature Precedent™ Packaged Cooling 13 SEER	PC-29
3-5 Ton 13 SEER (THC)	PC-30
3-5 Ton Options 13 SEER (THC)	PC-31-33
3-5 Ton Accessory Heaters 13 SEER (THC)	PC-34
3-5 Ton Accessories 13 SEER (THC)	PC-35
3-5 Ton Zone Sensors Thermostats 13 SEER (THC)	PC-36
Nomenclature Precedent™ Packaged Cooling R-410A	PC-37
3-5 Ton R-410A (TSC)	PC-38
3-5 Ton Options R-410A (TSC)	PC-39-41
3-5 Ton Accessory Heaters R-410A (TSC)	PC-42
3-5 Ton Accessories R-410A (TSC)	PC-43
3-5 Ton Zone Sensors Thermostats R-410A (TSC)	PC-44
12-1/2 Ton (TCH, TCD150D)	PC-45
12-1/2 Ton Heaters (TCH, TCD150D)	PC-46
12-1/2 Ton Accessories (TCH, TCD150D)	PC-47
15 Ton (TCH, TCD180B)	PC-48
15 Ton Heaters (TCH, TCD180B)	PC-49
15 Ton Accessories (TCH, TCD180B)	PC-50
17-1/2 Ton (TCH, TCD210C)	PC-51
17-1/2 Ton Heaters (TCH, TCD210C)	PC-52
17-1/2 Ton Accessories (TCH, TCD210C)	PC-53
20 Ton (TCH, TCD240B)	PC-54
25 Ton (TCH, TCD300B)	PC-55
20 — 25 Ton Heaters (TCH, TCD240 - 300B)	PC-56
20 — 25 Ton Accessories (TCH, TCD240 - 300B)	PC-57
12-1/2 Ton (TCH, TCD150E)	PC-58
12-1/2 Ton Heaters (TCH, TCD150E)	PC-59
12-1/2 Ton Accessories (TCH, TCD150E)	PC-60
15 Ton (TCH, TCD180E)	PC-61
15 Ton Heaters (TCH, TCD180E)	PC-62
15 Ton Accessories (TCH, TCD180E)	PC-63
17-1/2 Ton (TCH, TCD210E)	PC-64
17-1/2 Ton Heaters (TCH, TCD210E)	PC-65
17-1/2 Ton Accessories (TCH, TCD210E)	PC-66
20 Ton (TCH, TCD240E)	PC-67
12-1/2 — 25 Ton Zone Sensors (Micro Thermostats)	PC-68
12-1/2 Ton (TCH, TCD151C)	PC-69-70
12-1/2 Ton Heaters (TCH, TCD151C)	PC-71
12-1/2 Ton Accessories (TCH, TCD,TFD151C)	PC-72
15 Ton (TCH, TCD,TFD181C)	PC-73-74
15 Ton Heaters (TCH, TCD181C)	PC-75
17-1/2 Ton (TCH, TCD211C)	PC-76-77
20 Ton (TCH, TCD241C)	PC-78-79
25 Ton (TCH, TCD301C)	PC-80
17-1/2 — 25 Ton Heaters (TCH, TCD211 - 301C)	PC-81
15 — 25 Ton Accessories (TCH, TCD181 - 301C)	PC-82
12-1/2 — 25 Ton Thermostats (Zone Sensors)	PC-83

PACKAGED TERMINAL AIR CONDITIONERS AND HEAT PUMPS

(Included in the back of the Packaged Cooling section)

Nomenclature (PTEE/PTHE)	PC-84
Base Model Information (PTEE/PTHE)	PC-85
Options for Powering	PC-86
Accessories	PC-87

PACKAGED GAS/ELECTRIC

2-5 Ton XB13c (2YCC)	PG-1
1-1/2-5 Ton XB13c (4YCC)	PG-2
1-1/2-5 Ton XB13c Accessories (2/4YCC)	PG-3
2-5 Ton XL13c (2YCX)	PG-4
1-1/2-5 Ton XL13c (4YCX)	PG-5
1-1/2-5 Ton XL13c Accessories (2/4YCX)	PG-6
3, 5 Ton XL/XE 1600 (YCY-F)	PG-7

Product Family Page No.

PACKAGED GAS/ELECTRIC (continued)

3, 5 Ton XL/XE 1600 Comfort Controls, Accessories (YCY-F)	PG-8
2-5 Ton XL 1400 (YCY-G)	PG-9
2-5 Ton XL 1400 Accessories (YCY-G)	PG-10
Nomenclature Precedent™ Convertible Pkg. Gas/Electric	PG-11
3-5 Ton (YSC)	PG-12
6-10 Ton (YSC)	PG-13-14
3-5 Ton (YHC)	PG-15
6-10 Ton (YHC)	PG-16
3-10 Ton Options (YSC, YHC)	PG-17-21
3-10 Ton Accessories (YSC, YHC)	PG-22-23
3-10 Ton Zone Sensors Thermostats (YSC, YHC)	PG-24
Nomenclature Precedent™ Conver. Pkg. Gas/Electric 13 SEER	PG-25
3-5 Ton 13 SEER (YHC)	PG-26
3-5 Ton Options 13 SEER (YHC)	PG-27-30
3-5 Ton Accessories 13 SEER (YHC)	PG-31
3-5 Ton Zone Sensors Thermostats 13 SEER (YHC)	PG-32
Nomenclature Precedent™ Conver. Pkg. Gas/Electric R-410A	PG-33
3-5 Ton R-410A (YSC)	PG-34
3-5 Ton Options R-410A (YSC)	PG-35-38
3-5 Ton Accessories R-410A (YSC)	PG-39
3-5 Ton Zone Sensors Thermostats R-410A (YSC)	PG-40
12-1/2 Ton (YCH150D)	PG-41
12-1/2 Ton (YCD150D)	PG-42
12-1/2 Ton Accessories (YCH, YCD150D)	PG-43
15 Ton (YCH180B)	PG-44
15 Ton (YCD180B)	PG-45
15 Ton Accessories (YCH, YCD180B)	PG-46
17-1/2 Ton (YCH210C)	PG-47
17-1/2 Ton (YCD210C)	PG-48
17-1/2 Ton Accessories (YCH, YCD210C)	PG-49
20 Ton (YCH240B)	PG-50
20 Ton (YCD240B)	PG-51
25 Ton (YCH300B)	PG-52
25 Ton (YCD300B)	PG-53
20 — 25 Ton Accessories (YCH, YCD 240-300B)	PG-54
12-1/2 Ton (YCD150E)	PG-55
12-1/2 Ton (YCH150E)	PG-56
12-1/2 Ton Accessories (YCH, YCD150E)	PG-57
15 Ton (YCH180E)	PG-58
15 Ton (YCD180E)	PG-59
15 Ton Accessories (YCH, YCD180E)	PG-60
17-1/2 Ton (YCH210E)	PG-61
17-1/2 Ton (YCD210E)	PG-62
17-1/2 Ton Accessories (YCH, YCD210E)	PG-63
20 Ton (YCH240E)	PG-64
20 Ton (YCD240E)	PG-65
12-1/2 — 25 Ton Zone Sensors (Micro Thermostats)	PG-66
12-1/2 Ton (YCH151C)	PG-67
12-1/2 Ton (YCD, YFD151C)	PG-68-70
12-1/2 Ton Accessories (YCH, YCD151C)	PG-71
15 Ton (YCH181C)	PG-72
15 Ton (YCD, YFD181C)	PG-73-75
17-1/2 Ton (YCH211C)	PG-76
17-1/2 Ton (YCD211C)	PG-77-78
20 Ton (YCH241C)	PG-79
20 Ton (YCD, YFD241C)	PG-80-81
25 Ton (YCH, YCD301C)	PG-82-83
15 — 25 Ton Accessories (YCH, YCD181-301C)	PG-84
12-1/2 — 25 Ton Zone Sensors (Micro Thermostats)	PG-85

PACKAGED HEAT PUMP

Nomenclature (4WCY)	PH-1
2-4 Ton XL14c (4WCY)	PH-2
2-4 Ton XL14c Heaters (4WCY)	PH-3
2-4 Ton XL14c Accessories (4WCY)	PH-4
1-1/2-5 Ton XB13c (2/4WCC)	PH-5
1-1/2-5 Ton XB13c Heaters (2/4WCC)	PH-6
1-1/2-5 Ton XB13c Accessories (2/4WCC)	PH-7
1-1/2-5 Ton XL13c (2/4WCX)	PH-8
1-1/2-5 Ton XL13c Heaters (2/4WCX)	PH-9



It's Hard To Stop A Trane.®

Table of Contents

Product Family **Page No.**

PACKAGED HEAT PUMP (continued)

1-1/2-5 Ton **XL13c** Accessories (2/4WCX) PH-10
2-3-1/2 Ton 13 SEER (WCX-B) PH-11
3, 5 Ton **XL/XE 1600** (WCZ-F) PH-12
3, 5 Ton **XL/XE 1600** Comfort Controls, Accessories (WCZ-F) . PH-13
3-5 Ton **XL/XE 1600** Heaters (WCZ-F) PH-14
2-5 Ton **XE 1300** (WCH-C, WCH-F1) PH-15
2-3-1/2 Ton **XE 1300** Accessories (WCH-B) PH-16
Nomenclature Precedent™ Packaged Heat Pumps PH-17
3-10 Ton (WSC) PH-18
3-10 Ton Heaters (WSC) PH-19
3-10 Ton Options (WSC) PH-20-23
3-5 Ton Accessory Heaters (WSC) PH-24
6-10 Ton Accessory Heaters (WSC) PH-25
3-10 Ton Accessories (WSC) PH-26-27
3-10 Ton Zone Sensors (WSC) PH-28
Nomenclature Precedent™ Packaged Heat Pumps R-410A PH-29
3-5 Ton Heaters R-410A (WSC) PH-30
3-5 Ton Options R-410A (WSC) PH-31-34
3-5 Ton Accessory Heaters R-410A (WSC) PH-35
3-5 Ton Accessories R-410A (WSC) PH-36
3-5 Ton Zone Sensors R-410A (WSC) PH-37
12-1/2 Ton (WCH, WCD150B) PH-38
12-1/2 Ton Heaters (WCH, WCD150B) PH-39
12-1/2 Ton Accessories (WCH, WCD150B) PH-40
15 Ton (WCH, WCD180B) PH-41
15 Ton Heaters (WCH, WCD180B) PH-42
15 Ton Accessories (WCH, WCD180B) PH-43
20 Ton (WCH, WCD240B) PH-44
20 Ton Heaters (WCH, WCD240B) PH-45
20 Ton Accessories (WCH, WCD240B) PH-46
12-1/2 — 20 Zone Sensors (Micro Thermostats) PH-47

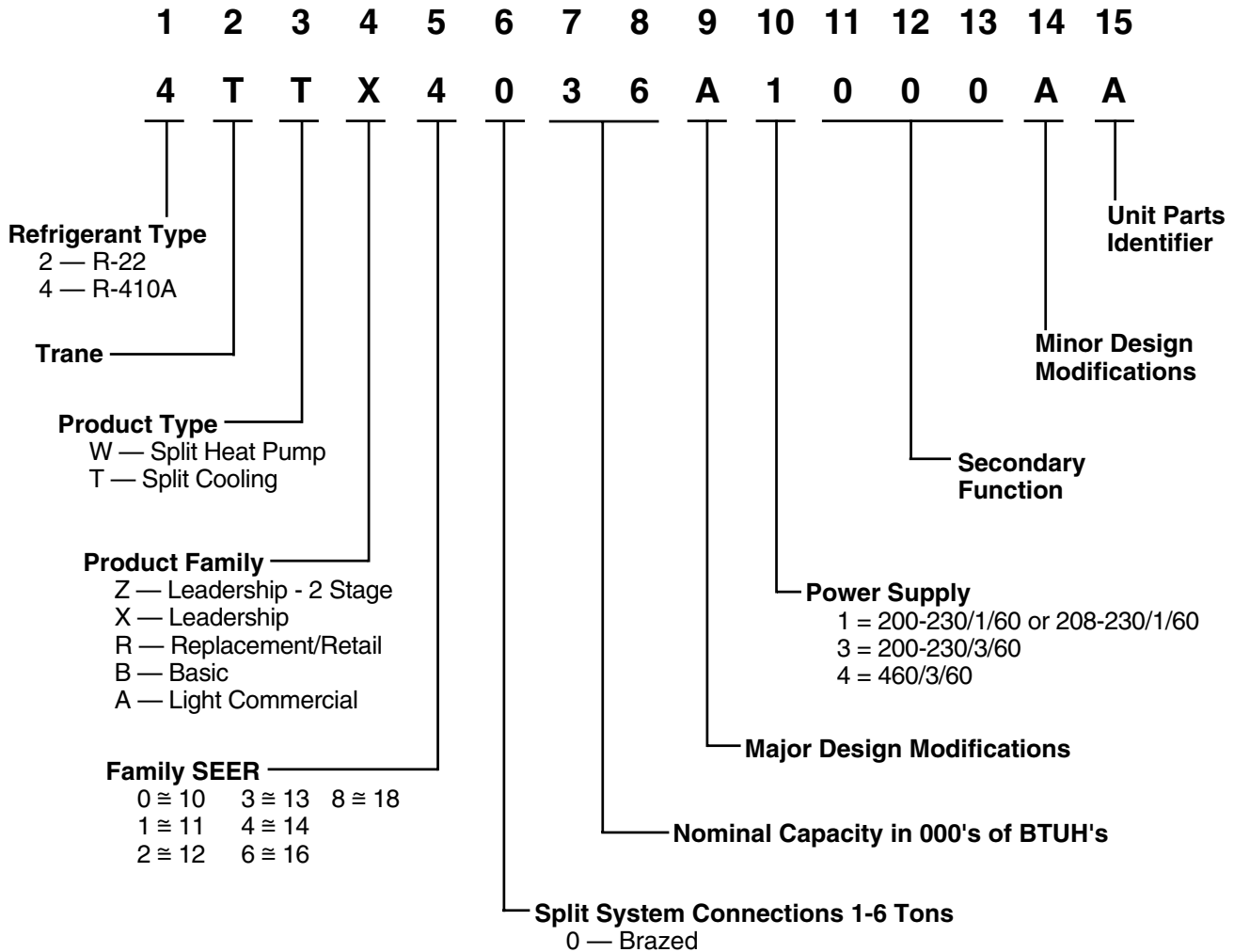
EXTENDED WARRANTY

Model Number Index WA-1
1 — 6 Ton Complete System (Residential) WA-2
1 — 5 Ton Condensing Unit (Residential) WA-4
1 — 5 Ton Compressor Only (Residential) WA-5
1 — 5 Ton Furnace, Air Handler &
Heat Exchanger (Residential) WA-6
1 — 25 Ton Complete System (Commercial) WA-7
1 — 20 Ton Condensing Unit (Commercial) WA-9
1 — 25 Ton Compressor Only (Commercial) WA-10
1 — 25 Ton Furnace, Air Handler &
Heat Exchanger (Commercial) WA-11
1 — 25 Ton Accessory (Residential or Commercial) WA-13
1 — 25 Ton National Account First Year Labor (Commercial) WA-14
1 — 6 Ton Water Source Package System (Residential) WA-15
1 — 6 Ton Water Source Package System (Commercial) WA-16
1 — 25 Ton No Parts Mark-up (Residential or Commercial) WA-17
General Notes WA-18
Numerical List of Product Coverage WA-19-53
Optional Extended Warranty Benefits WA-54-55

FACTORY INSTALLED OPTIONS

Horizontal/Downflow Packaged Cooling FIOP-1-9
Horizontal/Downflow Packaged Gas/Electric FIOP-10-16
Horizontal/Downflow Packaged Heat Pump FIOP-17-23

New 15-Digit Model Nomenclature





2-1/2, 3, 4, 5 Ton 2TTZ9030 - 060B

XL19i Split System Cooling

Specifications: 1 Phase

Model Number	Power Supply	Nom. Cap. Cooling (BTUH)	Required Indoors	Uncrated Dimensions(in.)			Mfg. Plant	Shipping Weight
				H	W	D		
2TTZ9030B1000A	200/230/1/60	30,000	TXV	50	37	34	TY	445
2TTZ9036B1000A	200/230/1/60	36,000	TXV	50	37	34	TY	442
2TTZ9048B1000A	200/230/1/60	48,000	TXV	50	37	34	TY	454
2TTZ9060B1000A	200/230/1/60	60,000	TXV	50	37	34	TY	459

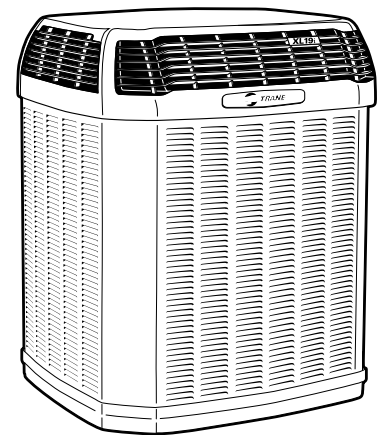
Accessories:

Model Number	Description	Used With	Mfg. Plant	Shipping Weight
Extended Warranties	(See Extended Warranty Section)			
Controls	(See Control Section)			
AY28X079	Evap. Defrost Control Kit	All Cooling Models	TY	1
TAYASCT501A ^①	Anti-Short Cycle Timer	All Cooling Models	TY	2
BAYLEGS002	Snow/Sand Legs	All Cooling Models	TY	1
BAYLEGS003	4" Extension	All Cooling Models	TY	1
BAYVDTA004	Vertical Discharge Air Kit Base 4	All Cooling Models	TY	10
BAYISLT101	Rubber Isolators	All Cooling Models	TY	1
BAYECMT001	Extreme Condition Mounting Kit	All Cooling Models	TY	2

^① Not for use with digital controls.

Features:

- Two **Climatuff™** compressors
- Efficiency up to **19.5 SEER**
- All Aluminum **Spine Fin™** coil
- **WeatherGuard™ II** top shields unit
- **WeatherGuard™** fasteners
- **Quick-Sess™** cabinet, service access and refrigerant connections with full coil protection
- **DuraTuff™** base, fast complete drain, weather proof
- **Comfort"R"™** mode approved
- Glossy corrosion resistant finish
- Internal Compressor high/low pressure & temperature protection
- Start kit standard
- 50 or 100% capacity modulation
- Compressor sump heat
- Liquid line filter/drier
- Tarpaulin gray cabinet with anthracite gray top
- Low sound with advanced fan system and compressor sound insulator
- Variable speed fan motor
- Electronic compressor control
- Seacoast shield
- Service valve cover
- R-22 refrigerant
- **10 year limited warranty on compressor, coil, and internal functional parts (Residential Use)**
- **Extended warranties available**
- S.E.E.T. design testing
- 100% line run test
- Low ambient cooling to 55°F as shipped
- Low ambient cooling to 30°F with AY28X079





2, 3, 4 & 5 Ton 4TTX6024 - 036, 048 & 60B

XL 16i Split System Cooling

Specifications: 1 Phase

Model Number	Power Supply	Nom. Cap. Cooling (BTUH)	Uncrated Dimensions(in.)			Mfg. Plant	Shipping Weight
			H	W	D		
4TTX6024B1000A	230/1/60	24,000	44	33	30	TY	256
4TTX6036B1000A	230/1/60	36,000	42	37	34	TY	287
4TTX6048B1000A	230/1/60	48,000	50	37	34	TY	310
4TTX6060B1000A	230/1/60	60,000	50	37	34	TY	355

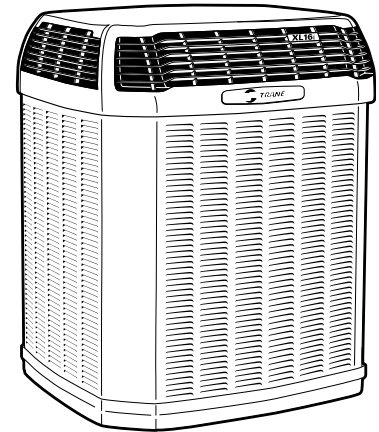
Accessories:

Model Number	Description	Used With	Mfg. Plant	Shipping Weight
Extended Warranties	(See Extended Warranty Section)			
Controls	(See Control Section)			
AY28X079	Evap. Defrost Control Kit	All Cooling Models	TY	1
BAYKSKT260	Start Kit	3 - 4 Ton Models	TY	1
BAYLEGS002	Snow/Sand Legs	All Cooling Models	TY	1
BAYLEGS003	4" Extension	All Cooling Models	TY	1
BAYVDTA003	Vertical Discharge Air Kit Base 3	2 Ton Models	TY	10
BAYVDTA004	Vertical Discharge Air Kit Base 4	3 - 5 Models	TY	10
BAYECMT001	Extreme Condition Mounting Kit	All Cooling Models	TY	2
BAYCCHT301	Crankcase Heater Kit	2 - 4 Ton Models	TY	1
BAYISLT101	Rubber Isolators	All Cooling Models	TY	1
TAYASCT501A ^①	Anti-Short Cycle Timer	All Cooling Models	TY	1

^① Not for use with digital controls.

Features:

- **Climatuff**[®] staged scroll compressor
- Efficiency up to 17.15 SEER
- All aluminum **Spine Fin**[™] coil
- **WeatherGuard**[™] II top shields unit
- **WeatherGuard**[™] fasteners
- **Quick-Sess**[™] cabinet, service access and refrigerant connections with full coil protection
- **DuraTuff**[™] base, fast complete drain, weather proof
- **Comfort"R"**[™] mode approved
- Glossy corrosion resistant finish
- Internal compressor high/low pressure & temperature protection
- 024 ships with start kit
- 060 ships with start kit and sump heat
- Liquid line filter-drier
- Tarpaulin gray cabinet with anthracite gray top
- Low sound with advanced fan system and compressor sound insulator
- High pressure switch
- XL Seacoast shield
- Service valve cover
- R-410A refrigerant
- 70 or 100% capacity modulation
- **10 year limited warranty on compressor, coil, and internal functional parts (Residential Use)**
- **Extended warranties available**
- S.E.E.T. design testing
- 100% line run test
- Low ambient cooling to 55°F as shipped
- Low ambient cooling to 30°F with AY28X079





2 — 4 Ton 2TTX5024 - 048A

XL 15i Split System Cooling

Specifications: 1 Phase

Model Number	Power Supply	Nom. Cap. Cooling (BTUH)	Uncrated Dimensions(in.)			Mfg. Plant	Shipping Weight
			H	W	D		
2TTX5024A1000A	208/230/1/60	24,000	46	37	34	TY	283
2TTX5030A1000A	208/230/1/60	30,000	46	37	34	TY	284
2TTX5036A1000A	208/230/1/60	36,000	50	37	34	TY	300
2TTX5042A1000A	208/230/1/60	42,000	50	37	34	TY	307
2TTX5048A1000A	208/230/1/60	48,000	50	37	34	TY	337

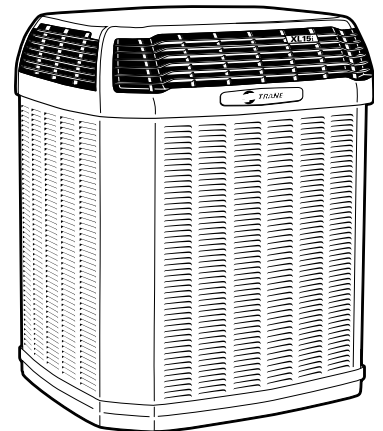
Accessories:

Model Number	Description	Used With	Mfg. Plant	Shipping Weight
Extended Warranties	(See Extended Warranty Section)			
Controls	(See Control Section)			
AY28X079	Evap. Defrost Control Kit	All Cooling Models	TY	1
BAYLEGS002	Snow/Sand Legs	All Cooling Models	TY	1
BAYLEGS003	4" Extension	All Cooling Models	TY	1
BAYVDTA004	Vertical Discharge Air Kit Base 4	2 - 4 Models	TY	10
TAYASCT501A ^①	Anti-Short Cycle Timer	All Cooling Models	TY	1
BAYKSKT260	Start Kit	2 - 4 Ton Models	TY	1
BAYECMT001	Extreme Condition Mounting Kit	All Cooling Models	TY	2
BAYISLT101	Rubber Isolators	All Cooling Models	TY	1

^① Not for use with digital controls.

Features:

- Climatuff[®] compressor
- Efficiency up to 16.25 SEER
- All aluminum Spine Fin[™] coil
- WeatherGuard[™] II top shields unit
- WeatherGuard[™] fasteners
- Quick-Sess[™] cabinet, service access and refrigerant connections with full coil protection
- DuraTuff[™] base, fast complete drain, weather proof
- Comfort[™]R[™] mode approved
- Glossy corrosion resistant finish
- Internal compressor high/low pressure & temperature protection
- Liquid line filter-drier
- Tarpaulin gray cabinet with anthracite gray top
- Low sound with advanced fan system and compressor sound insulator
- XL Seacoast shield
- Service valve cover
- R-22 refrigerant
- **10 year limited warranty on compressor, coil, and internal functional parts (Residential Use)**
- **Extended warranties available**
- S.E.E.T. design testing
- 100% line run test
- Low ambient cooling to 55°F as shipped
- Low ambient cooling to 30°F with AY28X079





1-1/2 — 5 Ton 2TTX4018 - 060B

XL 14i Split System Cooling

Specifications: 1 Phase

Model Number	Power Supply	Nom. Cap. Cooling (BTUH)	Uncrated Dimensions(in.)			Mfg. Plant	Shipping Weight
			H	W	D		
2TTX4018B1000A	200/230/1/60	18,000	40	33	30	TY	229
2TTX4024B1000A	200/230/1/60	24,000	40	33	30	TY	245
2TTX4030B1000A	208/230/1/60	30,000	44	33	30	TY	245
2TTX4036B1000A	208/230/1/60	36,000	44	33	30	TY	249
2TTX4042B1000A	208/230/1/60	42,000	46	37	34	TY	292
2TTX4048B1000A	208/230/1/60	48,000	50	37	34	TY	308
2TTX4060B1000A	208/230/1/60	60,000	50	37	34	TY	359

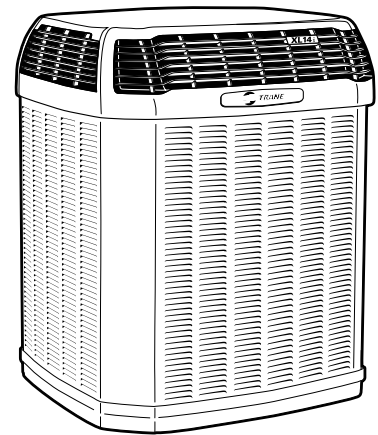
Accessories:

Model Number	Description	Used With	Mfg. Plant	Shipping Weight
Extended Warranties	(See Extended Warranty Section)			
Controls	(See Control Section)			
AY28X079	Evap. Defrost Control Kit	All Cooling Models	TY	1
TAYASCT501A ^①	Anti-Short Cycle Timer	All Cooling Models	TY	1
BAYKSKT260	Start Kit	2.5 - 4 Ton Models	TY	1
BAYECMT001	Extreme Condition Mounting Kit	All Cooling Models	TY	2
BAYLEGS002	Snow/Sand Legs	All Cooling Models	TY	1
BAYLEGS003	4" Extension	All Cooling Models	TY	1
BAYVDTA003	Vertical Discharge Air Kit Base 3	2 - 3 Ton Models	TY	10
BAYVDTA004	Vertical Discharge Air Kit Base 4	3.5 - 5 Models	TY	10
BAYCCHT301	Crankcase Heater Kit	2.5 - 3 Ton Models	TY	1
BAYISLT101	Rubber Isolators	All Cooling Models	TY	1

^① Not for use with digital controls.

Features:

- Climatuff® compressor
- Efficiency up to 15.0 SEER
- All aluminum Spine Fin™ coil
- WeatherGuard™ II top shields unit
- WeatherGuard™ fasteners
- Quick-Sess™ cabinet, service access and refrigerant connections with full coil protection
- DuraTuff™ base, fast complete drain, weather proof
- Comfort"R"™ mode approved
- Glossy corrosion resistant finish
- Internal compressor high/low pressure & temperature protection
- Tarpaulin gray cabinet with anthracite gray top
- Low sound with advanced fan system and compressor sound insulator
- XL Seacoast shield
- 018, 024 & 060 ship with start kit
- Liquid line filter-drier
- Service valve cover
- R-22 refrigerant
- **10 year limited warranty on compressor, coil, and internal functional parts (Residential Use)**
- **Extended warranties available**
- S.E.E.T. design testing
- 100% line run test
- Low ambient cooling to 55°F as shipped
- Low ambient cooling to 30°F with AY28X079



Specifications: 1 Phase

Model Number	Power Supply	Nom. Cap. Cooling (BTUH)	Uncrated Dimensions(in.)			Mfg. Plant	Shipping Weight
			H	W	D		
4TTX4018B1000A	200/230/1/60	18,000	40	33	30	TY	242
4TTX4024B1000A	200/230/1/60	24,000	40	33	30	TY	245
4TTX4030B1000A	208/230/1/60	30,000	40	33	30	TY	241
4TTX4036B1000A	208/230/1/60	36,000	44	33	30	TY	254
4TTX4042B1000A	208/230/1/60	42,000	46	37	34	TY	296
4TTX4048B1000A	208/230/1/60	48,000	50	37	34	TY	308
4TTX4060C1000A	208/230/1/60	60,000	50	37	34	TY	359

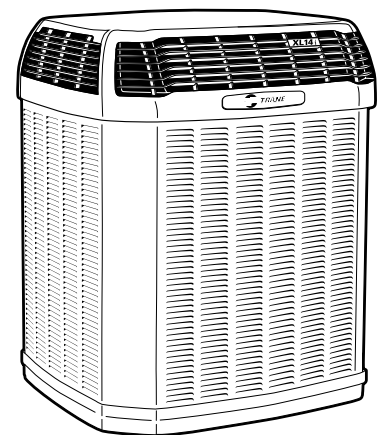
Accessories:

Model Number	Description	Used With	Mfg. Plant	Shipping Weight
Extended Warranties	(See Extended Warranty Section)			
Controls	(See Control Section)			
AY28X079	Evap. Defrost Control Kit	All Cooling Models	TY	1
TAYASCT501A①	Anti-Short Cycle Timer	All Cooling Models	TY	1
BAYSKT260	Start Kit	2.5 - 4 Ton Models	TY	1
BAYLEGS002	Snow/Sand Legs	All Cooling Models	TY	1
BAYLEGS003	4" Extension	All Cooling Models	TY	1
BAYVDTA003	Vertical Discharge Air Kit Base 3	2 - 3 Ton Models	TY	10
BAYVDTA004	Vertical Discharge Air Kit Base 4	3.5 - 5 Models	TY	10
BAYECMT001	Extreme Condition Mounting Kit	All Cooling Models	TY	2
BAYCCHT301	Crankcase Heater Kit	2.5 - 5 Ton Models	TY	1
BAYISLT101	Rubber Isolators	All Cooling Models	TY	1

① Not for use with digital controls.

Features:

- Climatuff® compressor
- Efficiency up to 15.0 SEER
- All aluminum **Spine Fin™** coil
- **WeatherGuard™ II** top shields unit
- **WeatherGuard™** fasteners
- **Quick-Sess™** cabinet, service access and refrigerant connections with full coil protection
- **DuraTuff™** base, fast complete drain, weather proof
- **Comfort"R"™** mode approved
- Glossy corrosion resistant finish
- Internal compressor high/low pressure & temperature protection
- Tarpaulin gray cabinet with anthracite gray top
- Low sound with advanced fan system and compressor sound insulator
- XL Seacoast shield
- High pressure switch
- 018, 024 & 060 ship with start kit
- Liquid line filter-drier
- Service valve cover
- R-410A refrigerant
- **10 year limited warranty on compressor, coil, and internal functional parts (Residential Use)**
- **Extended warranties available**
- S.E.E.T. design testing
- 100% line run test
- Low ambient cooling to 55°F as shipped
- Low ambient cooling to 30°F with AY28X079





1-1/2 — 5 Ton 2TTR4018 - 060A

XR 14 Split System Cooling

Specifications: 1 Phase

Model Number	Power Supply	Nom. Cap. Cooling (BTUH)	Uncrated Dimensions(in.)			Mfg. Plant	Shipping Weight
			H	W	D		
2TTR4018A1000A	200/230/1/60	18,000	33	33	30	TY	206
2TTR4024A1000A	200/230/1/60	24,000	33	33	30	TY	225
2TTR4030A1000A	208/230/1/60	30,000	37	33	30	TY	232
2TTR4036A1000A	208/230/1/60	36,000	37	33	30	TY	236
2TTR4042A1000A	208/230/1/60	42,000	37	37	34	TY	269
2TTR4048A1000A	208/230/1/60	48,000	41	37	34	TY	285
2TTR4060A1000A	208/230/1/60	60,000	41	37	34	TY	336

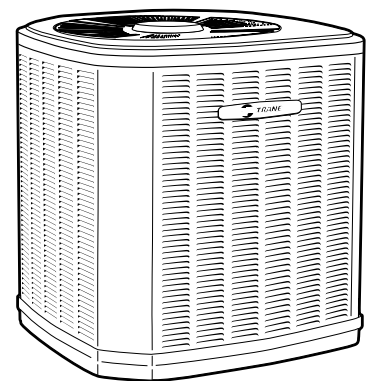
Accessories:

Model Number	Description	Used With	Mfg. Plant	Shipping Weight
Extended Warranties	(See Extended Warranty Section)			
Controls	(See Control Section)			
AY28X079	Evap. Defrost Control Kit	All Cooling Models	TY	1
TAYASCT501A ^①	Anti-Short Cycle Timer	All Cooling Models	TY	1
BAYKSKT260	Start Kit	2.5 - 4 Ton Models	TY	1
BAYECMT001	Extreme Condition Mounting Kit	All Cooling Models	TY	2
BAYCCHT301	Crankcase Heater Kit	2.5 - 3 Ton Models	TY	1
BAYLOAM103	Low Ambient Kit	All Cooling Models	TY	1
BAYLEGS002	Snow/Sand Legs	All Cooling Models	TY	1
BAYLEGS003	4" Extension	All Cooling Models	TY	1
BAYSEAC001	Seacoast Kit	All Cooling Models	TY	1
BAYISLT101	Rubber Isolators	All Cooling Models	TY	1

^① Not for use with digital controls.

Features:

- Climatuff® compressor
- Efficiency up to 14.00 SEER
- All aluminum **Spine Fin™** coil
- **WeatherGuard™** fasteners
- **Quick-Sess™** cabinet, easy service access and refrigerant connections with full coil protection
- **DuraTuff™** base, fast complete drain, weather proof
- **Comfort"R"™** mode approved
- Glossy corrosion resistant finish
- Internal compressor high/low pressure & temperature protection
- 018, 024 & 060 ship with start kit
- Liquid line filter-drier
- Tarpaulin gray cabinet with anthracite gray badge and cap
- Service valve cover
- R-22 refrigerant
- **10 year limited warranty on compressor, coil, 5 years internal functional parts (Residential Use)**
- **Extended warranties available**
- S.E.E.T. design testing
- 100% line run test
- Low ambient cooling to 55°F as shipped
- Low ambient cooling to 30°F with AY28X079





1-1/2 — 5 Ton 4TTR4018 - 060

XR 14 Split System Cooling

Specifications: 1 Phase

Model Number	Power Supply	Nom. Cap. Cooling (BTUH)	Uncrated Dimensions(in.)			Mfg. Plant	Shipping Weight
			H	W	D		
4TTR4018A1000A	200/230/1/60	18,000	33	33	30	TY	222
4TTR4024A1000A	200/230/1/60	24,000	33	33	30	TY	225
4TTR4030A1000A	208/230/1/60	30,000	33	33	30	TY	228
4TTR4036A1000A	208/230/1/60	36,000	37	33	30	TY	240
4TTR4042A1000A	208/230/1/60	42,000	37	37	34	TY	273
4TTR4048A1000A	208/230/1/60	48,000	41	37	34	TY	285
4TTR4060B1000A	208/230/1/60	60,000	41	37	34	TY	335

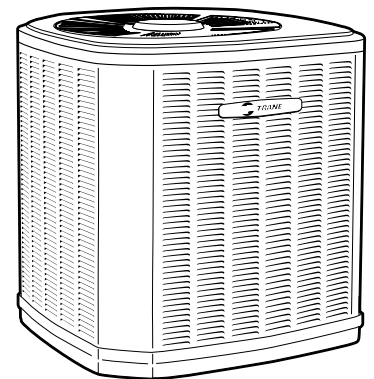
Accessories:

Model Number	Description	Used With	Mfg. Plant	Shipping Weight
Extended Warranties	(See Extended Warranty Section)			
Controls	(See Controls Section)			
AY28X079	Evap. Defrost Control Kit	All Cooling Models	TY	1
TAYASCT501A ^①	Anti-Short Cycle Timer	All Cooling Models	TY	1
BAYKSKT260	Start Kit	2.5 - 4 Ton Models	TY	1
BAYECMT001	Extreme Condition Mounting Kit	All Cooling Models	TY	2
BAYCCHT301	Crankcase Heater Kit	2.5 - 5 Ton Models	TY	1
BAYLOAM103	Low Ambient Kit	All Cooling Models	TY	1
BAYLEGS002	Snow/Sand Legs	All Cooling Models	TY	1
BAYLEGS003	4" Extension	All Cooling Models	TY	1
BAYSEAC001	Seacoast Kit	All Cooling Models	TY	1
BAYISLT101	Rubber Isolators	All Cooling Models	TY	1

^① Not for use with digital controls.

Features:

- Climatuff® compressor
- Efficiency up to 14.00 SEER
- All aluminum **Spine Fin™** coil
- **WeatherGuard™** fasteners
- **Quick-Sess™** cabinet, easy service access and refrigerant connections with full coil protection
- **DuraTuff™** base, fast complete drain, weather proof
- **Comfort"R"™** mode approved
- Glossy corrosion resistant finish
- Internal compressor high/low pressure & temperature protection
- 018, 024 & 060 ship with start kit
- Liquid line filter-drier
- Tarpaulin gray cabinet with anthracite gray badge and cap
- High pressure switch
- Service valve cover
- R-410A refrigerant
- **10 year limited warranty on compressor, coil, 5 years internal functional parts (Residential Use)**
- **Extended warranties available**
- S.E.E.T. design testing
- 100% line run test
- Low ambient cooling to 55°F as shipped
- Low ambient cooling to 30°F with AY28X079



Specifications: 1 Phase

Model Number	Power Supply	Nom. Cap. Cooling (BTUH)	Uncrated Dimensions(in.)			Mfg. Plant	Shipping Weight
			H	W	D		
2TTR3018A1000A	200/230/1/60	18,000	26	29	26	TY	180
2TTR3024A1000A	200/230/1/60	24,000	33	29	26	TY	195
2TTR3030A1000A	200/230/1/60	30,000	33	33	30	TY	226
2TTR3036A1000A	208/230/1/60	36,000	33	33	30	TY	221
2TTR3042A1000A	200/230/1/60	42,000	33	37	34	TY	284
2TTR3048A1000A	200/230/1/60	48,000	41	37	34	TY	309
2TTR3060A1000A	208/230/1/60	60,000	41	37	34	TY	305

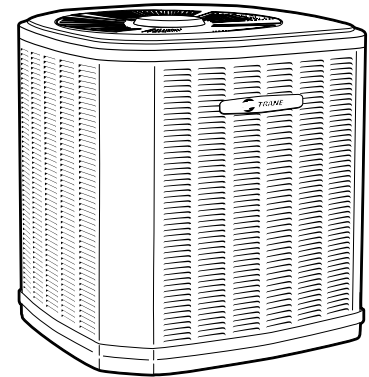
Accessories:

Model Number	Description	Used With	Mfg. Plant	Shipping Weight
Extended Warranties	(See Extended Warranty Section)			
Controls	(See Control Section)			
AY28X079	Evap. Defrost Control Kit	All Cooling Models	TY	1
TAYASCT501A①	Anti-Short Cycle Timer	All Cooling Models	TY	1
BAYKSKT260	Start Kit	3 Ton Models	TY	1
BAYECMT001	Extreme Condition Mounting Kit	All Cooling Models	TY	2
BAYCCHT300	Crankcase Heater Kit	1.5, 2, 2.5, 3.5 & 4 Ton Models	TY	1
BAYCCHT301	Crankcase Heater Kit	3 Ton Models	TY	1
BAYLOAM103	Low Ambient Kit	All Cooling Models	TY	1
BAYLEGS002	Snow/Sand Legs	All Cooling Models	TY	1
BAYLEGS003	4" Extension	All Cooling Models	TY	1
BAYSEAC001	Seacoast Kit	All Cooling Models	TY	1
BAYISLT101	Rubber Isolators	All Cooling Models	TY	1

① Not for use with digital controls.

Features:

- Climatuff® compressor
- Efficiency up to 14.00 SEER
- All aluminum Spine Fin™ coil
- WeatherGuard™ fasteners
- Quick-Sess™ cabinet, easy service access and refrigerant connections with full coil protection
- DuraTuff™ base, fast complete drain, weather proof
- Comfort"R"™ mode approved
- Glossy corrosion resistant finish
- Internal compressor high/low pressure & temperature protection
- 018, 024, 030, 042, 048 & 060 ship with start kit
- Liquid line filter-drier
- Tarpaulin gray cabinet with anthracite gray badge and cap
- Service valve cover
- R-22 refrigerant
- **10 year limited warranty on compressor, coil, 5 years internal functional parts (Residential Use)**
- **Extended warranties available**
- S.E.E.T. design testing
- 100% line run test
- Low ambient cooling to 55°F as shipped
- Low ambient cooling to 30°F with AY28X079
- Low ambient cooling to 0°F with BAYLOAM103





1-1/2 — 5 Ton 4TTR3018 - 060A

XR 13 Split System Cooling

Specifications: 1 Phase

Model Number	Power Supply	Nom. Cap. Cooling (BTUH)	Uncrated Dimensions(in.)			Mfg. Plant	Shipping Weight
			H	W	D		
4TTR3018A1000A	200/230/1/60	17,000	33	33	30	TY	223
4TTR3024A1000A	200/230/1/60	23,000	33	33	30	TY	224
4TTR3030A1000A	200/230/1/60	28,500	33	33	30	TY	224
4TTR3036A1000A	208/230/1/60	34,500	37	33	30	TY	238
4TTR3042A1000A	208/230/1/60	40,500	33	37	34	TY	258
4TTR3048A1000A	208/230/1/60	46,500	33	37	34	TY	261
4TTR3060A1000A	208/230/1/60	58,500	41	37	34	TY	287

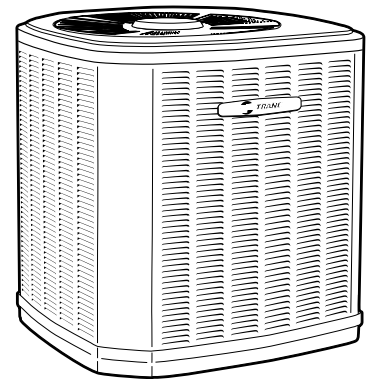
Accessories:

Model Number	Description	Used With	Mfg. Plant	Shipping Weight
Extended Warranties	(See Extended Warranty Section)			
Controls	(See Control Section)			
AY28X079	Evap. Defrost Control Kit	All Cooling Models	TY	1
TAYASCT501A ^①	Anti-Short Cycle Timer	All Cooling Models	TY	1
BAYSKT260	Start Kit	3, 3.5 & 4 Ton Models	TY	1
BAYECMT001	Extreme Condition Mounting Kit	All Cooling Models	TY	2
BAYCCHT300	Crankcase Heater Kit	1.5, 2 & 2.5 Ton Models	TY	1
BAYCCHT301	Crankcase Heater Kit	3, 3.5 & 4 Ton Models	TY	1
BAYSDEN003	Sound Enclosure Small Scroll	3 - 4 Ton Models	TY	8
BAYLEGS002	Snow/Sand Legs	All Cooling Models	TY	1
BAYLEGS003	4" Extension	All Cooling Models	TY	1
BAYSEAC001	Seacoast Kit	All Cooling Models	TY	1
BAYISLT101	Rubber Isolators	All Cooling Models	TY	1
BAYLOAM103	Low Ambient Kit	All Cooling Models	TY	1

^① Not for use with digital controls.

Features:

- Climatuff[®] compressor
- Efficiency up to 14.00 SEER
- All aluminum Spine Fin[™] coil
- WeatherGuard[™] fasteners
- Quick-Sess[™] cabinet, easy service access and refrigerant connections with full coil protection
- DuraTuff[™] base, fast complete drain, weather proof
- Comfort[™]R[™] mode approved
- Glossy corrosion resistant finish
- Internal compressor high/low pressure & temperature protection
- 018, 024, 030 & 060 ship with start kit
- Liquid line filter-drier
- Tarpaulin gray cabinet with anthracite gray badge & cap
- High pressure switch
- Service Valve Cover
- R-410A refrigerant
- 10 year limited warranty on compressor, coil, 5 years on internal functional parts (Residential Use)
- 5 year limited warranty on compressor, coil, 1 year on parts (Commercial Use)
- Extended warranties available
- S.E.E.T design testing
- 100% line run test
- Low ambient cooling to 55°F as shipped
- Low ambient cooling to 30°F with AY28X079
- Low ambient cooling to 0°F with BAYLOAM103





1-1/2 — 5 Ton 2TTB3018 - 060A

XB 13 Split System Cooling

Specifications: 1 Phase

Model Number	Power Supply	Nom. Cap. Cooling (BTUH)	Uncrated Dimensions(in.)			Mfg. Plant	Shipping Weight
			H	W	D		
2TTB3018A1000A	200/230/1/60	17,000	26	29	26	TY	182
2TTB3024A1000A	200/230/1/60	23,000	33	29	26	TY	195
2TTB3030A1000A	200/230/1/60	28,500	33	33	30	TY	225
2TTB3036A1000A	208/230/1/60	34,500	33	33	30	TY	220
2TTB3042A1000A	200/230/1/60	40,500	33	37	34	TY	283
2TTB3048A1000A	200/230/1/60	46,500	41	37	34	TY	307
2TTB3060A1000A	208/230/1/60	58,500	41	37	34	TY	303

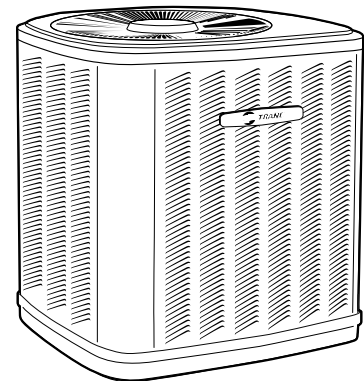
Accessories:

Model Number	Description	Used With	Mfg. Plant	Shipping Weight
Extended Warranties	(See Extended Warranty Section)			
Controls	(See Control Section)			
AY28X079	Evap. Defrost Control Kit	All Cooling Models	TY	1
TAYASCT501A ^①	Anti-Short Cycle Timer	All Cooling Models	TY	1
BAYKSKT260	Start Kit	3 Ton Models	TY	1
BAYECMT001	Extreme Condition Mounting Kit	All Cooling Models	TY	2
BAYCCHT300	Crankcase Heater	1.5, 2, 2.5, 3.5 & 4 Ton Models	TY	1
BAYCCHT301	Crankcase Heater	3 Ton Models	TY	1
BAYSDEN001	Sound Enclosure 1 Cycle Recip	1.5 - 2.5 Ton Models	TY	8
BAYSDEN004	Sound Enclosure Large Scroll	5 Ton Models	TY	8
BAYLOAM103	Low Ambient Kit	All Cooling Models	TY	1
BAYLEGS002	Snow/Sand Legs	All Cooling Models	TY	1
BAYLEGS003	4" Extension	All Cooling Models	TY	1
BAYSEAC001	Seacoast Kit	All Cooling Models	TY	1
BAYISLT101	Rubber Isolators	All Cooling Models	TY	1

^① Not for use with digital controls.

Features:

- Climatuff® compressor
- Efficiency up to 13.25 SEER
- All aluminum Spine Fin™ coil
- WeatherGuard™ fasteners
- Quick-Sess™ cabinet, easy service access and refrigerant connections with full coil protection
- DuraTuff™ base, fast complete drain, weather proof
- Comfort"R"™ mode approved
- Glossy corrosion resistant finish
- Internal compressor high/low pressure & temperature protection
- 018, 024,030,042,048 & 060 ship with start kit
- Liquid line filter-drier
- Polyslate gray cabinet with anthracite gray badge & cap
- R-22 refrigerant
- **5 year limited warranty on compressor, coil, and 5 years on internal functional parts (Residential Use)**
- **Extended warranties available**
- S.E.E.T. design testing
- 100% line run test
- Low ambient cooling to 55°F as shipped
- Low ambient cooling to 30°F with AY28X079
- Low ambient cooling to 0°F with BAYLOAM103





1-1/2 — 5 Ton 4TTB3018 - 060A

XB 13 Split System Cooling

Specifications: 1 Phase

Model Number	Power Supply	Nom. Cap. Cooling (BTUH)	Uncrated Dimensions(in.)			Mfg. Plant	Shipping Weight
			H	W	D		
4TTB3018A1000A	200/230/1/60	17,000	33	33	30	TY	220
4TTB3024A1000A	200/230/1/60	23,000	33	33	30	TY	222
4TTB3030A1000A	200/230/1/60	28,500	33	33	30	TY	222
4TTB3036A1000A	208/230/1/60	34,500	37	33	30	TY	236
4TTB3042A1000A	208/230/1/60	40,500	33	37	34	TY	257
4TTB3048A1000A	208/230/1/60	46,500	33	37	34	TY	261
4TTB3060A1000A	208/230/1/60	58,500	41	37	34	TY	287

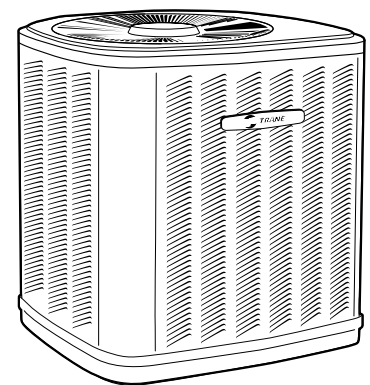
Accessories:

Model Number	Description	Used With	Mfg. Plant	Shipping Weight
Extended Warranties	(See Extended Warranty Section)			
Controls	(See Control Section)			
AY28X079	Evap. Defrost Control Kit	All Cooling Models	TY	1
TAYASCT501A①	Anti-Short Cycle Timer	All Cooling Models	TY	1
BAYKSKT260	Start Kit	3, 3.5 & 4 Ton Models	TY	1
BAYECMT001	Extreme Condition Mounting Kit	All Cooling Models	TY	2
BAYCCHT300	Crankcase Heater	1.5, 2, 2.5 Ton Models	TY	1
BAYCCHT301	Crankcase Heater	3, 3.5 & 4 Ton Models	TY	1
BAYSDEN003	Sound Enclosure Small Scroll	3 - 4 Ton Models	TY	8
BAYSDEN004	Sound Enclosure Large Scroll	5 Ton Models	TY	8
BAYLEGS002	Snow/Sand Legs	All Cooling Models	TY	1
BAYLEGS003	4" Extension	All Cooling Models	TY	1
BAYSEAC001	Seacoast Kit	All Cooling Models	TY	1
BAYISLT101	Rubber Isolators	All Cooling Models	TY	1
BAYLOAM103	Low Ambient Kit	All Cooling Models	TY	1

① Not for use with digital controls.

Features:

- Climatuff® compressor
- Efficiency up to 13.25 SEER
- All aluminum Spine Fin™ coil
- WeatherGuard™ fasteners
- Quick-Sess™ cabinet, easy service access and refrigerant connections with full coil protection
- DuraTuff™ base, fast complete drain, weather proof
- Comfort"R"™ mode approved
- Glossy corrosion resistant finish
- Internal compressor high/low pressure & temperature protection
- 018, 024,030 & 060 ship with start kit
- Liquid line filter-drier
- Polyslate gray cabinet with anthracite gray badge & cap
- High pressure switch
- R-410A refrigerant
- **5 year limited warranty on compressor, coil, and 5 years on internal functional parts (Residential Use)**
- **Extended warranties available**
- S.E.E.T. design testing
- 100% line run test
- Low ambient cooling to 55°F as shipped
- Low ambient cooling to 30°F with AY28X079
- Low ambient cooling to 0°F with BAYLOAM103





2-1/2 — 5 Ton 2TTA3030 - 060

Split System Cooling Three Phase

Specifications: 3 Phase

Model Number	Power Supply	Nom. Cap. Cooling (BTUH)	Uncrated Dimensions(in.)			Mfg. Plant	Shipping Weight
			H	W	D		
2TTA3030A3000A	200-230/3/60	30,000	33	33	30	TY	225
2TTA3036A3000A	200-230/3/60	36,000	33	33	30	TY	216
2TTA3042B3000A	200-230/3/60	42,000	33	37	34	TY	245
2TTA3048A3000A	200-230/3/60	48,000	41	37	34	TY	303
2TTA3060A3000A	200-230/3/60	60,000	41	37	34	TY	292
2TTA3030A4000A	460/3/60	30,000	33	33	30	TY	225
2TTA3036A4000A	460/3/60	36,000	33	33	30	TY	219
2TTA3042B4000A	460/3/60	42,000	33	37	34	TY	246
2TTA3048A4000A	460/3/60	48,000	41	37	34	TY	305
2TTA3060A4000A	460/3/60	60,000	41	37	34	TY	293

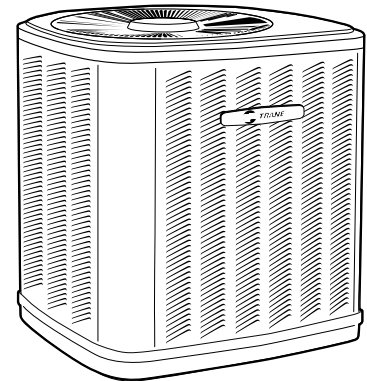
Accessories:

Model Number	Description	Used With	Mfg. Plant	Shipping Weight
Extended Warranties	(See Extended Warranty Section)			
Controls	(See Control Section)			
AY28X079	Evap. Defrost Control Kit	All Cooling Models	TY	1
BAY24X045	ID Fan Delay Kit	All Cooling Models	TY	1
TAYASCT501A ^①	Anti-Short Cycle Timer	All Cooling Models	TY	1
BAYECMT001	Extreme Condition Mounting Kit	All Cooling Models	TY	2
BAYSDEN001	Sound Enclosure 1 Cycle Recip	2.5 Ton Models	TY	8
BAYSDEN002	Sound Enclosure 2 Cycle Recip	3.5 - 4 Ton Models	TY	8
BAYSDEN003	Sound Enclosure Small Scroll	3 Ton Models	TY	8
BAYSDEN004	Sound Enclosure Large Scroll	5 Ton Models	TY	8
BAYLEGS002	Snow/Sand Legs	All Cooling Models	TY	1
BAYLEGS003	4" Extension	All Cooling Models	TY	1
BAYSEAC001	Seacoast Kit	All Cooling Models	TY	1
BAYLOAM103	Low Ambient Kit	All Cooling Models	TY	1
BAYISLT101	Rubber Isolators	All Cooling Models	TY	1

^① Not for use with digital controls.

Features:

- Climatuff® compressor
- All aluminum Spine Fin™ coil
- WeatherGuard™ fasteners
- Quick-Sess™ cabinet, service access and refrigerant connections with full coil protection
- DuraTuff™ base, fast complete drain, weather proof
- Comfort"R"™ mode approved
- Glossy corrosion resistant finish
- Internal compressor high/low pressure & temperature protection
- Compressor Sump Heat
- Liquid line filter-drier
- Polyslate gray cabinet with anthracite gray badge & cap
- Low pressure switch
- R-22 refrigerant
- 5 year limited warranty on compressor, coil, and internal functional parts (Residential Use Only)
- 5 year limited warranty on compressor, coil, and 1 year on parts (Commercial Use Only)
- Extended warranties available
- S.E.E.T. design testing
- 100% line run test
- Low ambient cooling to 55°F as shipped
- Low ambient cooling to 30°F with AY28X079
- Low ambient cooling to 0°F with BAYLOAM103





2-1/2 — 5 Ton 4TTA3030 - 060A

Split System Cooling Three Phase

Specifications: 3 Phase

Model Number	Power Supply	Nom. Cap. Cooling (BTUH)	Uncrated Dimensions(in.)			Mfg. Plant	Shipping Weight
			H	W	D		
4TTA3030A3000A	200-230/3/60	30,000	33	33	30	TY	224
4TTA3036A3000A	200-230/3/60	36,000	37	33	30	TY	229
4TTA3042A3000A	200-230/3/60	42,000	33	37	34	TY	255
4TTA3048A3000A	200-230/3/60	48,000	33	37	34	TY	253
4TTA3060A3000A	200-230/3/60	60,000	41	37	34	TY	295
4TTA3030A4000A	460/3/60	30,000	33	33	30	TY	222
4TTA3036A4000A	460/3/60	36,000	37	33	30	TY	227
4TTA3042A4000A	460/3/60	42,000	33	37	34	TY	254
4TTA3048A4000A	460/3/60	48,000	33	37	34	TY	252
4TTA3060A4000A	460/3/60	60,000	41	37	34	TY	294

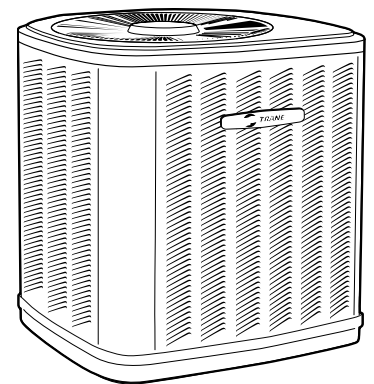
Accessories:

Model Number	Description	Used With	Mfg. Plant	Shipping Weight
Extended Warranties	(See Extended Warranty Section)			
Controls	(See Control Section)			
AY28X079	Evap. Defrost Control Kit	All Cooling Models	TY	1
BAY24X045	ID Fan Delay Kit	All Cooling Models	TY	1
TAYASCT501A ^①	Anti-Short Cycle Timer	All Cooling Models	TY	1
BAYECMT001	Extreme Condition Mounting Kit	All Cooling Models	TY	2
BAYLEGS002	Snow/Sand Legs	All Cooling Models	TY	1
BAYLEGS003	4" Extension	All Cooling Models	TY	1
BAYSDEN001	Sound Enclosure 1 Cycle Recip	2.5 Ton Models	TY	8
BAYSDEN003	Sound Enclosure Small Scroll	3 - 4 Ton Models	TY	8
BAYSDEN004	Sound Enclosure Large Scroll	5 Ton Models	TY	8
BAYSEAC001	Seacoast Kit	All Cooling Models	TY	1
BAYLOAM103	Low Ambient Kit	All Cooling Models	TY	1
BAYISLT101	Rubber Isolators	All Cooling Models	TY	1

^① Not for use with digital controls.

Features:

- Climatuff[®] compressor
- All aluminum Spine Fin[™] coil
- WeatherGuard[™] fasteners
- Quick-Sess[™] cabinet, service access and refrigerant connections with full coil protection
- DuraTuff[™] base, fast complete drain, weather proof
- Comfort[™]R[™] mode approved
- Glossy corrosion resistant finish
- Internal compressor high/low pressure & temperature protection
- Liquid line filter-drier
- Polyslate gray cabinet with anthracite gray badge & cap
- R-410A refrigerant
- Low pressure switch
- High pressure switch
- Compressor sump heat
- **5 year limited warranty on compressor, coil, and internal functional parts (Residential Use Only)**
- **5 year limited warranty on compressor, coil, and 1 year on parts (Commercial Use Only)**
- Extended warranties available
- S.E.E.T. design testing
- 100% line run test
- Low ambient cooling to 55°F as shipped
- Low ambient cooling to 30°F with AY28X079
- Low ambient cooling to 0°F with BAYLOAM103



Specifications: 3 Phase

Model Number	Power Supply	Nom. Cap. Cooling (BTUH)	Uncrated Dimensions(in.)			Mfg. Plant	Shipping Weight
			H	W	D		
2TTA0030A3000A	200-230/3/60	30,000	26	29	26	TY	175
2TTA0036A3000A	200-230/3/60	36,000	26	29	26	TY	179
2TTA0042A3000A	200-230/3/60	42,000	29	29	26	TY	211
2TTA0048A3000A	200-230/3/60	48,000	29	29	26	TY	216
2TTA0060A3000A	200-230/3/60	60,000	33	33	30	TY	255
2TTA0072A3000A	200-230/3/60	72,000	41	37	34	TY	297
2TTA0030A4000A	460/3/60	30,000	26	29	26	TY	175
2TTA0036A4000A	460/3/60	36,000	26	29	26	TY	179
2TTA0042A4000A	460/3/60	42,000	29	29	26	TY	211
2TTA0048A4000A	460/3/60	48,000	29	29	26	TY	216
2TTA0060A4000A	460/3/60	60,000	33	33	30	TY	255
2TTA0072A4000A	460/3/60	72,000	41	37	34	TY	297

Accessories:

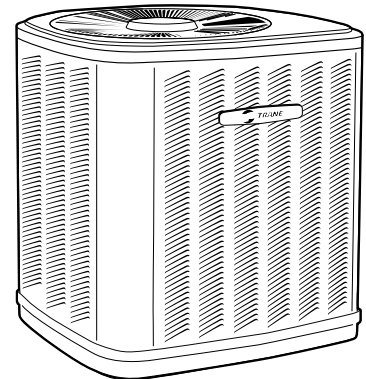
Model Number	Description	Used With	Mfg. Plant	Shipping Weight
Extended Warranties	(See Extended Warranty Section)			
Controls	(See Control Section)			
AY28X079	Evap. Defrost Control Kit	All Cooling Models	TY	1
BAY24X045	ID Fan Delay Kit	All Cooling Models	TY	1
TAYASCT501A①	Anti-Short Cycle Timer	All Cooling Models	TY	1
BAYECMT001	Extreme Condition Mounting Kit	All Cooling Models	TY	2
BAYLOAM103	Low Ambient Kit	All Cooling Models	TY	1
BAYLEGS002	Snow/Sand Legs	All Cooling Models	TY	1
BAYLEGS003	4" Extension	All Cooling Models	TY	1
BAYSEAC001	Seacoast Kit	All Cooling Models	TY	1
BAYISLT101	Rubber Isolators	All Cooling Models	TY	1

① Not for use with digital controls.

Features:

- Climatuff® compressor
- All aluminum Spine Fin™ coil
- WeatherGuard™ fasteners
- Quick-Sess™ cabinet, service access and refrigerant connections with full coil protection
- DuraTuff™ base, fast complete drain, weather proof
- Comfort"R"™ mode approved
- Glossy corrosion resistant finish
- Internal compressor high/low pressure & temperature protection
- Compressor sump heat
- Liquid line filter-drier
- Polyslate gray cabinet with anthracite gray badge & cap
- Low pressure switch

- R-22 refrigerant
- **5 year limited warranty on compressor, coil, and internal functional parts (Residential Use Only)**
- **5 year limited warranty on compressor, coil, and 1 year on parts (Commercial Use Only)**
- **Extended warranties available**
- S.E.E.T. design testing
- 100% line run test
- Low ambient cooling to 55°F as shipped
- Low ambient cooling to 30°F with AY28X079
- Low ambient cooling to 0°F with BAYLOAM103

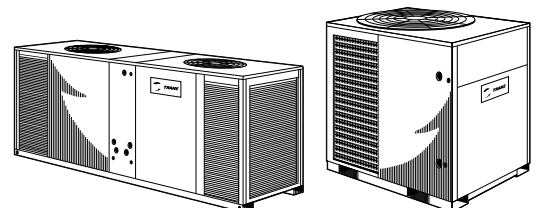


Specifications: Single Compressor

Model Number	Factory Installed Option	Power Supply	Capacity Cooling (BTUH)	Uncrated Dim. (in.)			Mfg. Plant	Shipping Weight
				H	W	L		
TTA090A300F	—	208-230/3/60	92,000	39	34	41	SPR	370
TTA090A30SF	R-22, Epoxy Coil	208-230/3/60	92,000	39	34	41	SPR	370
TTA090A30RF	R-22, ReliaTel™, No LCI Board	208-230/3/60	92,000	39	34	41	SPR	370
TTA090A30TF	R-22, ReliaTel™, No LCI Board W/Epoxy Coil	208-230/3/60	92,000	39	34	41	SPR	370
TTA090A30UF	R-22, ReliaTel™, W/LCI Board	208-230/3/60	92,000	39	34	41	SPR	370
TTA090A30WF	R-22, ReliaTel™, W/LCI Board & Epoxy Coil	208-230/3/60	92,000	39	34	41	SPR	370
TTA120A300F	—	208-230/3/60	128,000	39	38	51	SPR	443
TTA120A30SF	R-22, Epoxy Coil	208-230/3/60	128,000	39	38	51	SPR	443
TTA120A30RF	R-22, ReliaTel™, No LCI Board	208-230/3/60	128,000	39	38	51	SPR	443
TTA120A30TF	R-22, ReliaTel™, No LCI Board W/Epoxy Coil	208-230/3/60	128,000	39	38	51	SPR	443
TTA120A30UF	R-22, ReliaTel™, W/LCI Board	208-230/3/60	128,000	39	38	51	SPR	443
TTA120A30WF	R-22, ReliaTel™, W/LCI Board & Epoxy Coil	208-230/3/60	128,000	39	38	51	SPR	443
TTA090A400F	—	460/3/60	92,000	39	34	41	SPR	370
TTA090A40SF	R-22, Epoxy Coil	460/3/60	92,000	39	34	41	SPR	370
TTA090A40RF	R-22, ReliaTel™, No LCI Board	460/3/60	92,000	39	34	41	SPR	370
TTA090A40TF	R-22, ReliaTel™, No LCI Board W/Epoxy Coil	460/3/60	92,000	39	34	41	SPR	370
TTA090A40UF	R-22, ReliaTel™, W/LCI Board	460/3/60	92,000	39	34	41	SPR	370
TTA090A40WF	R-22, ReliaTel™, W/LCI Board & Epoxy Coil	460/3/60	92,000	39	34	41	SPR	370
TTA120A400F	—	460/3/60	128,000	39	38	51	SPR	443
TTA120A40SF	R-22, Epoxy Coil	460/3/60	128,000	39	38	51	SPR	443
TTA120A40RF	R-22, ReliaTel™, No LCI Board	460/3/60	128,000	39	38	51	SPR	443
TTA120A40TF	R-22, ReliaTel™, No LCI Board W/Epoxy Coil	460/3/60	128,000	39	38	51	SPR	443
TTA120A40UF	R-22, ReliaTel™, W/LCI Board	460/3/60	128,000	39	38	51	SPR	443
TTA120A40WF	R-22, ReliaTel™, W/LCI Board & Epoxy Coil	460/3/60	128,000	39	38	51	SPR	443
TTA090AW00F	—	575/3/60	92,000	39	34	41	SPR	370
TTA090AW0SF	R-22, Epoxy Coil	575/3/60	92,000	39	34	41	SPR	370
TTA090AW0RF	R-22, ReliaTel™, No LCI Board	575/3/60	92,000	39	34	41	SPR	370
TTA090AW0TF	R-22, ReliaTel™, No LCI Board W/Epoxy Coil	575/3/60	92,000	39	34	41	SPR	370
TTA090AW0UF	R-22, ReliaTel™, W/LCI Board	575/3/60	92,000	39	34	41	SPR	370
TTA090AW0WF	R-22, ReliaTel™, W/LCI Board & Epoxy Coil	575/3/60	92,000	39	34	41	SPR	370
TTA120AW00F	—	575/3/60	128,000	39	38	51	SPR	443
TTA120AW0SF	R-22, Epoxy Coil	575/3/60	128,000	39	38	51	SPR	443
TTA120AW0RF	R-22, ReliaTel™, No LCI Board	575/3/60	128,000	39	38	51	SPR	443
TTA120AW0TF	R-22, ReliaTel™, No LCI Board W/Epoxy Coil	575/3/60	128,000	39	38	51	SPR	443
TTA120AW0UF	R-22, ReliaTel™, W/LCI Board	575/3/60	128,000	39	38	51	SPR	443
TTA120AW0WF	R-22, ReliaTel™, W/LCI Board & Epoxy Coil	575/3/60	128,000	39	38	51	SPR	443

Features:

- (1) Trane 3-D® Scroll compressor
- Single point power supply
- Compressor motor overload protection
- Control transformer
- High and low pressure cut-out switches
- Liquid line filter drier, factory installed
- Service valves with pressure taps
- Holding charge of Nitrogen
- Copper tube, aluminum plate fin coils
- Low ambient cooling to 50°F as manufactured
- Low ambient cooling to 0°F with accessory head pressure control
- Mounting/lifting rails under base
- Optional factory installed Black Epoxy Coil for corrosive resistance
- UL listed and CSA certified
- **5 year compressor warranty**





10 — 20 Ton TTA120 - 240B

Split System Cooling

Specifications: Dual Compressor With Dual Refrigerant Circuits

Model Number	Factory Installed Option	Power Supply	Capacity Cooling (BTUH)	Uncrated Dim. (in.)			Mfg. Plant	Shipping Weight
				H	W	L		
TTA120B300E	—	208-230/3/60	126,000	39	38	51	SPR	481
TTA120B30SE	R-22, Epoxy Coil	208-230/3/60	126,000	39	38	51	SPR	481
TTA120B30RE	R-22, ReliaTel™, No LCI Board	208-230/3/60	126,000	39	38	51	SPR	481
TTA120B30TE	R-22, ReliaTel™, No LCI Board w/Epoxy Coil	208-230/3/60	126,000	39	38	51	SPR	481
TTA120B30UE	R-22, ReliaTel™, W/LCI Board	208-230/3/60	126,000	39	38	51	SPR	481
TTA120B30WE	R-22, ReliaTel™, W/LCI Board & Epoxy Coil	208-230/3/60	126,000	39	38	51	SPR	481
TTA150B300E	—	208-230/3/60	148,000	39	38	51	SPR	481
TTA150B30SE	R-22, Epoxy Coil	208-230/3/60	148,000	39	38	51	SPR	481
TTA150B30RE	R-22, ReliaTel™, No LCI Board	208-230/3/60	148,000	39	38	51	SPR	481
TTA150B30TE	R-22, ReliaTel™, No LCI Board w/Epoxy Coil	208-230/3/60	148,000	39	38	51	SPR	481
TTA150B30UE	R-22, ReliaTel™, W/LCI Board	208-230/3/60	148,000	39	38	51	SPR	481
TTA150B30WE	R-22, ReliaTel™, W/LCI Board & Epoxy Coil	208-230/3/60	148,000	39	38	51	SPR	481
TTA180B300F	—	208-230/3/60	182,000	39	34	88	SPR	764
TTA180B30SF	R-22, Epoxy Coil	208-230/3/60	182,000	39	34	88	SPR	764
TTA180B30RF	R-22, ReliaTel™, No LCI Board	208-230/3/60	182,000	39	34	88	SPR	764
TTA180B30TF	R-22, ReliaTel™, No LCI Board w/Epoxy Coil	208-230/3/60	182,000	39	34	88	SPR	764
TTA180B30UF	R-22, ReliaTel™, W/LCI Board	208-230/3/60	182,000	39	34	88	SPR	764
TTA180B30WF	R-22, ReliaTel™, W/LCI Board & Epoxy Coil	208-230/3/60	182,000	39	34	88	SPR	764
TTA240B300F	—	208-230/3/60	246,000	45	44	94	SPR	948
TTA240B30SF	R-22, Epoxy Coil	208-230/3/60	246,000	45	44	94	SPR	948
TTA240B30RF	R-22, ReliaTel™, No LCI Board	208-230/3/60	246,000	45	44	94	SPR	948
TTA240B30TF	R-22, ReliaTel™, No LCI Board w/Epoxy Coil	208-230/3/60	246,000	45	44	94	SPR	948
TTA240B30UF	R-22, ReliaTel™, W/LCI Board	208-230/3/60	246,000	45	44	94	SPR	948
TTA240B30WF	R-22, ReliaTel™, W/LCI Board & Epoxy Coil	208-230/3/60	246,000	45	44	94	SPR	948
TTA120B400E	—	460/3/60	126,000	39	38	51	SPR	481
TTA120B40SE	R-22, Epoxy Coil	460/3/60	126,000	39	38	51	SPR	481
TTA120B40RE	R-22, ReliaTel™, No LCI Board	460/3/60	126,000	39	38	51	SPR	481
TTA120B40TE	R-22, ReliaTel™, No LCI Board w/Epoxy Coil	460/3/60	126,000	39	38	51	SPR	481
TTA120B40UE	R-22, ReliaTel™, W/LCI Board	460/3/60	126,000	39	38	51	SPR	481
TTA120B40WE	R-22, ReliaTel™, W/LCI Board & Epoxy Coil	460/3/60	126,000	39	38	51	SPR	481
TTA150B400E	—	460/3/60	148,000	39	38	51	SPR	481
TTA150B40SE	R-22, Epoxy Coil	460/3/60	148,000	39	38	51	SPR	481
TTA150B40RE	R-22, ReliaTel™, No LCI Board	460/3/60	148,000	39	38	51	SPR	481
TTA150B40TE	R-22, ReliaTel™, No LCI Board w/Epoxy Coil	460/3/60	148,000	39	38	51	SPR	481
TTA150B40UE	R-22, ReliaTel™, W/LCI Board	460/3/60	148,000	39	38	51	SPR	481
TTA150B40WE	R-22, ReliaTel™, W/LCI Board & Epoxy Coil	460/3/60	148,000	39	38	51	SPR	481
TTA180B400F	—	460/3/60	182,000	39	34	88	SPR	764
TTA180B40SF	R-22, Epoxy Coil	460/3/60	182,000	39	34	88	SPR	764
TTA180B40RF	R-22, ReliaTel™, No LCI Board	460/3/60	182,000	39	34	88	SPR	764
TTA180B40TF	R-22, ReliaTel™, No LCI Board w/Epoxy Coil	460/3/60	182,000	39	34	88	SPR	764
TTA180B40UF	R-22, ReliaTel™, W/LCI Board	460/3/60	182,000	39	34	88	SPR	764
TTA180B40WF	R-22, ReliaTel™, W/LCI Board & Epoxy Coil	460/3/60	182,000	39	34	88	SPR	764
TTA240B400F	—	460/3/60	246,000	45	44	94	SPR	915
TTA240B40SF	R-22, Epoxy Coil	460/3/60	246,000	45	44	94	SPR	915
TTA240B40RF	R-22, ReliaTel™, No LCI Board	460/3/60	246,000	45	44	94	SPR	915
TTA240B40TF	R-22, ReliaTel™, No LCI Board w/Epoxy Coil	460/3/60	246,000	45	44	94	SPR	915
TTA240B40UF	R-22, ReliaTel™, W/LCI Board	460/3/60	246,000	45	44	94	SPR	915
TTA240B40WF	R-22, ReliaTel™, W/LCI Board & Epoxy Coil	460/3/60	246,000	45	44	94	SPR	915



10 — 20 Ton TTA120 - 240B

Split System Cooling

Specifications: Dual Compressor With Dual Refrigerant Circuits (continued)

Model Number	Factory Installed Option	Power Supply	Capacity Cooling (BTUH)	Uncrated Dim. (in.)			Mfg. Plant	Shipping Weight
				H	W	L		
TTA120BW00E	—	575/3/60	126,000	39	38	51	SPR	481
TTA120BW0SE	R-22, Epoxy Coil	575/3/60	126,000	39	38	51	SPR	481
TTA120BW0RE	R-22, ReliaTel™, No LCI Board	575/3/60	126,000	39	38	51	SPR	481
TTA120BW0TE	R-22, ReliaTel™, No LCI Board w/Epoxy Coil	575/3/60	126,000	39	38	51	SPR	481
TTA120BW0UE	R-22, ReliaTel™, W/LCI Board	575/3/60	126,000	39	38	51	SPR	481
TTA120BW0WE	R-22, ReliaTel™, W/LCI Board & Epoxy Coil	575/3/60	126,000	39	38	51	SPR	481
TTA150BW00E	—	575/3/60	148,000	39	38	51	SPR	481
TTA150BW0SE	R-22, Epoxy Coil	575/3/60	148,000	39	38	51	SPR	481
TTA150BW0RE	R-22, ReliaTel™, No LCI Board	575/3/60	148,000	39	38	51	SPR	481
TTA150BW0TE	R-22, ReliaTel™, No LCI Board w/Epoxy Coil	575/3/60	148,000	39	38	51	SPR	481
TTA150BW0UE	R-22, ReliaTel™, W/LCI Board	575/3/60	148,000	39	38	51	SPR	481
TTA150BW0WE	R-22, ReliaTel™, W/LCI Board & Epoxy Coil	575/3/60	148,000	39	38	51	SPR	481
TTA180BW00F	—	575/3/60	182,000	39	34	88	SPR	764
TTA180BW0SF	R-22, Epoxy Coil	575/3/60	182,000	39	34	88	SPR	764
TTA180BW0RF	R-22, ReliaTel™, No LCI Board	575/3/60	182,000	39	34	88	SPR	764
TTA180BW0TF	R-22, ReliaTel™, No LCI Board w/Epoxy Coil	575/3/60	182,000	39	34	88	SPR	764
TTA180BW0UF	R-22, ReliaTel™, W/LCI Board	575/3/60	182,000	39	34	88	SPR	764
TTA180BW0WF	R-22, ReliaTel™, W/LCI Board & Epoxy Coil	575/3/60	182,000	39	34	88	SPR	764
TTA240BW00F	—	575/3/60	246,000	45	44	94	SPR	915
TTA240BW0SF	R-22, Epoxy Coil	575/3/60	246,000	45	44	94	SPR	915
TTA240BW0RF	R-22, ReliaTel™, No LCI Board	575/3/60	246,000	45	44	94	SPR	915
TTA240BW0TF	R-22, ReliaTel™, No LCI Board w/Epoxy Coil	575/3/60	246,000	45	44	94	SPR	915
TTA240BW0UF	R-22, ReliaTel™, W/LCI Board	575/3/60	246,000	45	44	94	SPR	915
TTA240BW0WF	R-22, ReliaTel™, W/LCI Board & Epoxy Coil	575/3/60	246,000	45	44	94	SPR	915

Features:

- (TTA120-150B) **Climatuff™** scroll compressors
- (TTA120-240B) Trane 3-D® Scroll compressor
- Single point power supply
- Compressor motor overload protection
- Control transformer
- High and low pressure cut-out switches
- Internal pressure relief valve
- Liquid line filter drier, factory installed
- Service valves with pressure taps
- Holding charge of Nitrogen
- Copper tube, aluminum plate fin coils
- Low ambient cooling to 50°F as manufactured, 0° with accessory head pressure control
- Mounting/lifting rails under base
- Optional factory installed Black Epoxy Coil for corrosive resistance
- UL listed and CSA certified
- **5 year compressor warranty (TTA120-180B,C).**
- **Standard compressor warranty for TTA240B is one year.**



10 — 20 Ton TTA120 - 180C

Split System Cooling

Specifications: Dual Manifolder Compressors with Single Refrigerant Circuit

Model Number	Factory Installed Option	Power Supply	Capacity Cooling (BTUH)	Uncrated Dim. (in.)			Mfg. Plant	Shipping Weight
				H	W	L		
TTA120C300G	—	208-230/3/60	126,000	39	38	51	SPR	492
TTA120C30SG	R-22, Epoxy Coil	208-230/3/60	126,000	39	38	51	SPR	492
TTA120C30RG	R-22, ReliaTel™, No LCI Board	208-230/3/60	126,000	39	38	51	SPR	492
TTA120C30TG	R-22, ReliaTel™, No LCI Board w/Epoxy Coil	208-230/3/60	126,000	39	38	51	SPR	492
TTA120C30UG	R-22, ReliaTel™, W/LCI Board	208-230/3/60	126,000	39	38	51	SPR	492
TTA120C30WG	R-22, ReliaTel™, W/LCI Board & Epoxy Coil	208-230/3/60	126,000	39	38	51	SPR	492
TTA180C300G	—	208-230/3/60	182,000	39	34	88	SPR	764
TTA180C30SG	R-22, Epoxy Coil	208-230/3/60	182,000	39	34	88	SPR	764
TTA180C30RG	R-22, ReliaTel™, No LCI Board	208-230/3/60	182,000	39	34	88	SPR	764
TTA180C30TG	R-22, ReliaTel™, No LCI Board w/Epoxy Coil	208-230/3/60	182,000	39	34	88	SPR	764
TTA180C30UG	R-22, ReliaTel™, W/LCI Board	208-230/3/60	182,000	39	34	88	SPR	764
TTA180C30WG	R-22, ReliaTel™, W/LCI Board & Epoxy Coil	208-230/3/60	182,000	39	34	88	SPR	764
TTA120C400G	—	460/3/60	126,000	39	38	51	SPR	492
TTA120C40SG	R-22, Epoxy Coil	460/3/60	126,000	39	38	51	SPR	492
TTA120C40RG	R-22, ReliaTel™, No LCI Board	460/3/60	126,000	39	38	51	SPR	492
TTA120C40TG	R-22, ReliaTel™, No LCI Board w/Epoxy Coil	460/3/60	126,000	39	38	51	SPR	492
TTA120C40UG	R-22, ReliaTel™, W/LCI Board	460/3/60	126,000	39	38	51	SPR	492
TTA120C40WG	R-22, ReliaTel™, W/LCI Board & Epoxy Coil	460/3/60	126,000	39	38	51	SPR	492
TTA180C400G	—	460/3/60	182,000	39	34	88	SPR	764
TTA180C40SG	R-22, Epoxy Coil	460/3/60	182,000	39	34	88	SPR	764
TTA180C40RG	R-22, ReliaTel™, No LCI Board	460/3/60	182,000	39	34	88	SPR	764
TTA180C40TG	R-22, ReliaTel™, No LCI Board w/Epoxy Coil	460/3/60	182,000	39	34	88	SPR	764
TTA180C40UG	R-22, ReliaTel™, W/LCI Board	460/3/60	182,000	39	34	88	SPR	764
TTA180C40WG	R-22, ReliaTel™, W/LCI Board & Epoxy Coil	460/3/60	182,000	39	34	88	SPR	764
TTA120CW00G	—	575/3/60	126,000	39	38	51	SPR	492
TTA120CW0SG	R-22, Epoxy Coil	575/3/60	126,000	39	38	51	SPR	492
TTA120CW0RG	R-22, ReliaTel™, No LCI Board	575/3/60	126,000	39	38	51	SPR	492
TTA120CW0TG	R-22, ReliaTel™, No LCI Board w/Epoxy Coil	575/3/60	126,000	39	38	51	SPR	492
TTA120CW0UG	R-22, ReliaTel™, W/LCI Board	575/3/60	126,000	39	38	51	SPR	492
TTA120CW0WG	R-22, ReliaTel™, W/LCI Board & Epoxy Coil	575/3/60	126,000	39	38	51	SPR	492
TTA180CW00G	—	575/3/60	182,000	39	34	88	SPR	764
TTA180CW0SG	R-22, Epoxy Coil	575/3/60	182,000	39	34	88	SPR	764
TTA180CW0RG	R-22, ReliaTel™, No LCI Board	575/3/60	182,000	39	34	88	SPR	764
TTA180CW0TG	R-22, ReliaTel™, No LCI Board w/Epoxy Coil	575/3/60	182,000	39	34	88	SPR	764
TTA180CW0UG	R-22, ReliaTel™, W/LCI Board	575/3/60	182,000	39	34	88	SPR	764
TTA180CW0WG	R-22, ReliaTel™, W/LCI Board & Epoxy Coil	575/3/60	182,000	39	34	88	SPR	764

Features:

- (TTA120-180C) Scroll compressors
- Single point power supply
- Compressor motor overload protection
- Control transformer
- High and low pressure cut-out switches
- Internal pressure relief valve
- Liquid line filter drier, factory installed
- Service valves with pressure taps
- Holding charge of Nitrogen
- Copper tube, aluminum plate fin coils
- Low ambient cooling to 50°F as manufactured, 0° with accessory head pressure control
- Mounting/lifting rails under base
- Optional factory installed Black Epoxy Coil for corrosive resistance
- UL listed and CSA certified
- **5 year compressor warranty (TTA120-180B,C).**
- **Standard compressor warranty for TTA240B is one year.**



20 Ton TTA240F

Split System Cooling

Specifications: Dual Manifolder Compressors with Single Refrigerant Circuit; R-410A

Model Number	Factory Installed Option	Power Supply	Capacity Cooling (BTUH)	Uncrated Dim. (in.)			Mfg. Plant	Shipping Weight
				H	W	L		
TTA240F300A	R410A, Packed Stock	208/230-60-3	246,000	94	44	45	SPR	920
TTA240F30SA	R410A, w/ Epoxy Coil	208/230-60-3	246,000	94	44	45	SPR	920
TTA240F30RA	R410A, ReliaTel™, No LCI Board	208/230-60-3	246,000	94	44	45	SPR	920
TTA240F30TA	R410A, ReliaTel™, No LCI Board, w/ Epoxy Coil	208/230-60-3	246,000	94	44	45	SPR	920
TTA240F30UA	R410A, ReliaTel™, w/ LCI Board	208/230-60-3	246,000	94	44	45	SPR	920
TTA240F30WA	R410A, ReliaTel™, w/ LCI Board, w/ Epoxy Coil	208/230-60-3	246,000	94	44	45	SPR	920
TTA240F400A	R410A, Packed Stock	460/60/3	246,000	94	44	45	SPR	920
TTA240F40SA	R410A, w/ Epoxy Coil	460/60/3	246,000	94	44	45	SPR	920
TTA240F40RA	R410A, ReliaTel™, No LCI Board	460/60/3	246,000	94	44	45	SPR	920
TTA240F40TA	R410A, ReliaTel™, No LCI Board, w/ Epoxy Coil	460/60/3	246,000	94	44	45	SPR	920
TTA240F40UA	R410A, ReliaTel™, w/ LCI Board	460/60/3	246,000	94	44	45	SPR	920
TTA240F40WA	R410A, ReliaTel™, w/ LCI Board, w/ Epoxy Coil	460/60/3	246,000	94	44	45	SPR	920
TTA240FW00A	R410A, Packed Stock	575/60/3	246,000	94	44	45	SPR	920
TTA240FW0SA	R410A, w/ Epoxy Coil	575/60/3	246,000	94	44	45	SPR	920
TTA240FW0RA	R410A, ReliaTel™, No LCI Board	575/60/3	246,000	94	44	45	SPR	920
TTA240FW0TA	R410A, ReliaTel™, No LCI Board, w/ Epoxy Coil	575/60/3	246,000	94	44	45	SPR	920
TTA240FW0UA	R410A, ReliaTel™, w/ LCI Board	575/60/3	246,000	94	44	45	SPR	920
TTA240FW0WA	R410A, ReliaTel™, w/ LCI Board, w/ Epoxy Coil	575/60/3	246,000	94	44	45	SPR	920

Features:

- (TTA240F) Scroll compressors
- Single point power supply
- Compressor motor overload protection
- Control transformer
- High and low pressure cut-out switches
- Internal pressure relief valve
- Liquid line filter drier, factory installed
- Service valves with pressure taps
- Holding charge of Nitrogen
- Copper tube, aluminum plate fin coils
- Low ambient cooling to 50°F as manufactured, 0° with accessory head pressure control
- Mounting/lifting rails under base
- Optional factory installed Black Epoxy Coil for corrosive resistance
- UL listed and CSA certified
- **5 year compressor warranty (TTA240F).**
- **Standard compressor warranty for TTA240F is one year.**



7-1/2 — 20 Ton
 TTA090 - 120A
 TTA120 - 240B
 TTA180C
 TTA240F

**Split System
 Cooling**

Accessories:

Model Number	Description	Used With	Mfg. Plant	Shipping Weight
Extended Warranties – (1 yr - 5 yr – See Extended Warranty Section)				
BAYLOAM326A④⑥	Head Pressure Control - 230V	TTA090A3	SPR	23
BAYLOAM327A④⑥	Head Pressure Control - 230V	TTA120A3,B3; 150B3, 120C3	SPR	23
BAYLOAM329A②④⑥	Head Pressure Control - 230V	TTA180B3,C3	SPR	23
BAYLOAM328A②④⑥	Head Pressure Control - 230V	TTA240B3	SPR	23
BAYLOAM425A④⑥	Head Pressure Control - 460V	TTA090A4	SPR	23
BAYLOAM426A④⑥	Head Pressure Control - 460V	TTA120A4,B4; 150B4, 120C4	SPR	23
BAYLOAM428A②④⑥	Head Pressure Control - 460V	TTA180B4,C4	SPR	23
BAYLOAM427A②④⑥	Head Pressure Control - 460V	TTA240B4	SPR	23
BAYLOAM430A	Head Pressure Control - 230V	TTA240F	SPR	23
BAYLOAM431A	Head Pressure Control - 460V	TTA240F	SPR	23
BAYLOAM015A②	Head Pressure Control - 575V	TTA090-180AW,BW,CW	SPR	23
BAYLOAMW22A⑥	Head Pressure Control - 575V	TTA120,150,240AW,BW,CW	SPR	23
BAYLOAM429B	Head Pressure Control (W/ElectroMechanical Controls)	TTA/TWA090-240	SPR	23
BAYISLT004A	Rubber-In-Shear Isolators	TTA090A	SPR	3
BAYISLT005A	Rubber-In-Shear Isolators	TTA120A,B	SPR	3
BAYISLT009A	Rubber-In-Shear Isolators	TTA150-180B; TTA180C	SPR	3
BAYISLT010A	Rubber-In-Shear Isolators	TTA240B; TTA240F	SPR	3
BAYISLT023A	Steel Spring Isolators	TTA090-120A; TTA120-150B; TTA120C	SPR	14
BAYISLT024A	Steel Spring Isolators	TTA180B;180C	SPR	14
BAYISLT025A	Steel Spring Isolators	TTA240B; 240F	SPR	14
BAYASCT001③	Anti-Short-Cycle Timer	TTA090-120A;120-240B; 120-180C; 240F	CK/001	1
BAYRLAY002③	Time Delay Relay	TTA120-240B; TTA120-180C	CK/001	1
BAYGARD024A	Coil Guard Kit	TTA090	SPR	11
BAYGARD026A	Coil Guard Kit	TTA150, TTA120A, B, C	SPR	23
BAYGARD039A	Coil Guard Kit	TTA180B,C	SPR	26
BAYGARD042A	Coil Guard Kit	TTA240B	SPR	39
BAYGARD049A	Coil Guard Kit	TTA240F	SPR	39
BAY24X042	Fan Control Relay	TTA090-120A;120-240B; 120-180C; 240F	TY	1
BAYSTAT033A	ODT 45°F to -10°F	TTA090-120A; TTA120-240B; TTA120-180C; TTA240F	SPR	1
BAYHGBP002C①	Hot Gas Bypass Kit	TTA090-120A	SPR	10
BAYHGBP003C①	Hot Gas Bypass Kit	TTA180B,C; TTA240B TTA120C,TTA120,150B	SPR	10
BAYHGBP006A	Hot Gas Bypass Kit	TTA240F	SPR	10
BAYHGBP007A	Hot Gas Bypass Kit	TTA240F	SPR	10



7-1/2 — 20 Ton
 TTA090 - 120A
 TTA120 - 240B
 TTA180C
 TTA240F

**Split System
 Cooling**

Accessories: (continued)

Model Number	Description	Used With	Mfg. Plant	Shipping Weight
BAYSENS006B ^⑤	Single Setpoint Manual Changeover Zone Sensor	TTA090A_OR,OU,OT,OW-TTA240B,F_OR,OU,OT,OW	CK/001	1
BAYSENS008B ^⑤	Dual Setpoint Manual or Auto Changeover Zone Sensor	TTA090A_OR,OU,OT,OW-TTA240B,F_OR,OU,OT,OW	CK/001	1
BAYSENS010B ^⑤	Dual Setpoint Manual or Auto Changeover Zone Sensor with System Function Lights	TTA090A_OR,OU,OT,OW-TTA240B,F_OR,OU,OT,OW	CK/001	1
BAYSENS013C ^⑤	Zone Sensor w/ Timed Override & Cancel	TTA090A_OR,OU,OT,OW-TTA240B,F_OR,OU,OT,OW	CK/001	1
BAYSENS014C ^⑤	Zone Sensor w/ Setpoint Timed Override and Cancel	TTA090A_OR,OU,OT,OW-TTA240B,F_OR,OU,OT,OW	CK/001	1
BAYSENS017B ^⑤	Wall Mounted Zone Sensor for Remote Sensing	TTA090A_OR,OU,OT,OW-TTA240B,F_OR,OU,OT,OW	CK/001	1
BAYSENS019C ^⑤	Programmable Zone sensor NSB Panel	TTA090A_OR,OU,OT,OW-TTA240B,F_OR,OU,OT,OW	CK/001	1
BAYSENS032A ^⑤	Remote Wall Sensor for use with BAYSENS035A	TTA090A_OR,OU,OT,OW-TTA240B,F_OR,OU,OT,OW	CK/001	1
BAYSENS033A ^⑤	Remote Wall Sensor for use with BAYSENS040A	TTA090A-TTA240B,F	CK/001	1
BAYSENS034A ^⑤	Remote Duct Sensor for use with BAYSTAT040A	TTA090A-TTA240B,F	CK/001	1
BAYSENS035A ^⑤	Digital Zone Sensor with LCD Display	TTA090A_OR,OU,OT,OW-TTA240B,F_OR,OU,OT,OW	CK/001	1
BAYICSI003A	Trane Communication Interface (TCI)	TTA090_OR,OT-TTA240_OR,OT	CK/001	1
BAYLTCI002B	LonTalk Communication Interface (LCI)	TTA090_OR,OT-TTA240_OR,OT	CK/001	1

- ① Condensing unit must be on same level as or below Air Handler. Contact Application Engineer, Clarksville before using any other configuration. Some field modification required (see kit installer guide).
- ② Qty 2 required on TTA180,240B;TTA180C
- ③ Do not use with programmable thermostats
- ④ Kits mount internal to the outdoor unit and operate by sensing liquid line temperatures.
- ⑤ Option is compatible for units with ReliaTel™ controls.
- ⑥ Head Pressure Controller only available with ReliaTel™ option (Digit 10 = R,T,U,W).



7-1/2 — 20 Ton
 TTA090 - 120A
 TTA120 - 240B
 TTA180C
 TTA240F

**Split System
 Cooling**

Thermostats:

Model Number	Description	Used With	Mfg. Plant	Shipping Weight
TCONT200AN11AA	Electronic, 1Htg/1Clg (Non Prog.)	All Cooling/(Gas or Elec)	TY	1
BAY28X182 ^①	1 Stage Heating/Cooling	TTA090-120A	TY	1
BAY28X183 ^①	2 Stage Heating/Cooling	TTA090-120A, 120-240B, 120-180C	TY	1
BAY28X184 ^②	Subbase - Auto/Man. Changeover	BAY28X183	TY	1
BAY28X185 ^③	Subbase - Manual	BAY28X182,183	TY	1
BAYSTAT050A	2Htg/2Clg Digital Display/ Programmable Thermostat	TTA090A-240F	CK/001	1
BAYSTAT051A	1Htg/1Clg Digital Display Thermostat	TTA090A-120A	CK/001	1
BAYSTAT052A	2Htg/2Clg Digital Display/Programmable "TOUCH SCREEN" Thermostat	TTA090A-240F	CK/001	1
BAYSTAT055A	3Htg/2Clg Digital Display Thermostat	TTA090A-240F	CK/001	1
BAYSTAT059A	Return Air Remote Sensor	TTA090A-240F	CK/001	1
BAYSTAT060A	Wall Mounted Remote Sensor	TTA090A-240F	CK/001	1
BAYBASE006A ^④	Subbase - 2 Stage Heat/Cool for use with BAYSTAT040A	TTA090A-TTA240B	CK/001	1
BAYBASE008A ^④	Subbase - 1 Stage Heat/Cool for use with BAYSTAT040A	TTA090A-TTA120A	CK/001	1
BAY28X190	Locking Thermostat Cover	All Room Thermostats	TY	2

① Requires Subbase.

② Requires BAY24X042 relay kit when used with electric heat.

③ Specifically designed for electric heat applications (instant on fan).

④ Option is compatible for units with ReliaTel™ controls.



2-1/2, 3, 4, 5 Ton
2TWZ9030 - 060B

XL19i
Split System
Weathertron®
Heat Pumps

Specifications: 1 Phase

Model Number	Power Supply	Nom. Cap. Cooling (BTUH)	Required Indoors	Uncrated Dimensions(in.)			Mfg. Plant	Shipping Weight
				H	W	D		
2TWZ9030B1000A	200/230/1/60	30,000	TXV	50	37	34	TY	453
2TWZ9036B1000A	200/230/1/60	36,000	TXV	50	37	34	TY	450
2TWZ9048B1000A	200/230/1/60	48,000	TXV	50	37	34	TY	458
2TWZ9060B1000A	200/230/1/60	60,000	TXV	50	37	34	TY	465

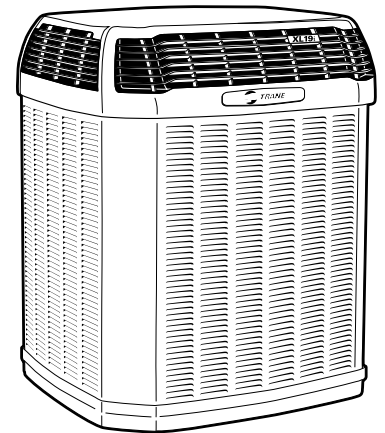
Accessories:

Model Number	Description	Used With	Mfg. Plant	Shipping Weight
Extended Warranties	(See Extended Warranty Section)			
Controls	(See Control Section)			
AY28X084	Evaporator Defrost Control Kit	All Heat Pump Models	TY	1
TAYASCT501A①	Anti-Short Cycle Timer	All Heat Pump Models	TY	2
BAYLEGS002	Snow Legs - Base and Cap 4" High	All Heat Pump Models	TY	1
BAYLEGS003	4" Extension	BAYLEGS002	TY	1
BAYECMT001	Extreme Conditions Mounting Kit	All Heat Pump Models	TY	2
BAYVDTA004	Vertical Discharge Air Kit Base 4	All Heat Pump Models	TY	10
BAYISLT101	Rubber Isolators	All Heat Pump Models	TY	1

① Do not use with digital controls

Features:

- Two **Climatuff®** compressors
- Efficiency up to **17.90 SEER** and **8.8 HSPF**
- All Aluminum **Spine Fin™** coil
- **WeatherGuard™ II** top shields unit
- **WeatherGuard™** fasteners
- **Quick-Sess™** cabinet, service access and refrigerant connections with full coil protection
- **DuraTuff™** base, fast complete drain, weather proof
- **Comfort"R"™** mode approved
- Glossy corrosion resistant finish
- Internal compressor high/low pressure & temperature protection
- Start kit standard
- 50 or 100% capacity modulation
- Compressor sump heat
- Electronic compressor control
- Liquid line filter/drier
- Tarpaulin gray cabinet with anthracite gray top
- Low sound with advanced fan system and compressor sound insulator
- Variable speed fan motor
- Demand defrost control with diagnostics
- XL Seacoast shield
- Service valve cover
- R-22 refrigerant
- **10 year limited warranty on compressor, coil, and internal functional parts (Residential Use)**
- **Extended warranties available**
- S.E.E.T. design testing
- 100% line run test
- Low ambient cooling to 55°F as shipped
- Low ambient cooling to 30°F with AY28X084





2, 3, 4 & 5 Ton 4TWX6024 - 060B

XL 16i Weathertron® Split System Heat Pump

Specifications: 1 Phase

Model Number	Power Supply	Nom. Cap. Cooling (BTUH)	Uncrated Dimensions(in.)			Mfg. Plant	Shipping Weight
			H	W	D		
4TWX6024B1000A	230/1/60	24,000	44	33	30	TY	261
4TWX6036B1000A	230/1/60	36,000	46	37	34	TY	305
4TWX6048B1000A	230/1/60	48,000	50	37	34	TY	318
4TWX6060B1000A	230/1/60	60,000	50	37	34	TY	361

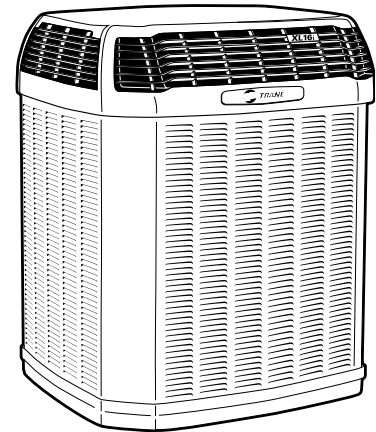
Accessories:

Model Number	Description	Used With	Mfg. Plant	Shipping Weight
Extended Warranties	(See Extended Warranty Section)			
Controls	(See Control Section)			
BAYLEGS002	Snow Legs - Base and Cap 4" High	All Heat Pump Models	TY	1
BAYLEGS003	4" Extension	BAYLEGS002	TY	1
AY28X084	Evap. Defrost Control Kit	All Heat Pump Models	TY	1
TAYASCT501A ^①	Anti-Short Cycle Timer	All Heat Pump Models	TY	1
BAYKSKT260	Start Kit	3 & 4 Ton Models	TY	1
BAYECMT001	Extreme Conditions Mounting Kit	All Heat Pump Models	TY	2
BAYVDTA003	Vertical Discharge Air Kit Base 3	2 Ton Models	TY	10
BAYVDTA004	Vertical Discharge Air Kit Base 4	3 - 5 Models	TY	10
BAYISLT101	Rubber Isolators	All Heat Pump Models	TY	1

^① Not for use with digital controls.

Features:

- Climatuff® staged scroll compressor
- Efficiency up to 17.0 SEER and 9.2 HSPF
- All aluminum Spine Fin™ coil
- WeatherGuard™ II top shields unit
- WeatherGuard™ fasteners
- Quick-Sess™ cabinet, service access and refrigerant connections with full coil protection
- DuraTuff™ base, fast complete drain, weather proof
- Comfort"R"™ mode approved
- Glossy corrosion resistant finish
- Internal compressor high/low pressure & temperature protection
- 024 & 060 ship with start kit
- Compressor sump heat
- Liquid line filter-drier
- Tarpaulin gray cabinet with anthracite gray top
- Low sound with advanced fan system and compressor sound insulator
- Demand Defrost Control with diagnostics
- High pressure switch
- XL Seacoast shield
- Service valve cover
- R-410A refrigerant
- 70 or 100% capacity modulation
- **10 year limited warranty on compressor, coil, and internal functional parts (Residential Use)**
- **Extended warranties available**
- S.E.E.T. design testing
- 100% line run test
- Low ambient to 30°F with AY28X084
- Low ambient cooling to 55°F as shipped





2 — 4 Ton 2TWX5024 - 048A

XL 15i Weathertron® Split System Heat Pump

Specifications: 1 Phase

Model Number	Power Supply	Nom. Cap. Cooling (BTUH)	Uncrated Dimensions(in.)			Mfg. Plant	Shipping Weight
			H	W	D		
2TWX5024A1000A	208/230/1/60	24,000	42	37	34	TY	273
2TWX5030A1000A	208/230/1/60	30,000	46	37	34	TY	290
2TWX5036A1000A	208/230/1/60	36,000	50	37	34	TY	304
2TWX5042A1000A	208/230/1/60	42,000	50	37	34	TY	314
2TWX5048A1000A	208/230/1/60	48,000	50	37	34	TY	342

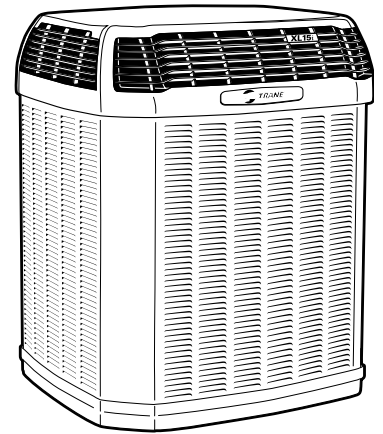
Accessories:

Model Number	Description	Used With	Mfg. Plant	Shipping Weight
Extended Warranties (See Extended Warranty Section)				
Controls (See Control Section)				
BAYLEGS002	Snow Legs - Base and Cap 4" High	All Heat Pump Models	TY	1
BAYLEGS003	4" Extension	BAYLEGS002	TY	1
AY28X084	Evap. Defrost Control Kit	All Heat Pump Models	TY	1
TAYASCT501A ^①	Anti-Short Cycle Timer	All Heat Pump Models	TY	1
BAYKSKT260	Start Kit	2 - 4 Ton Models	TY	1
BAYECMT001	Extreme Conditions Mounting Kit	All Heat Pump Models	TY	2
BAYVDTA004	Vertical Discharge Air Kit Base 4	2 - 4 Models	TY	10
BAYISLT101	Rubber Isolators	All Heat Pump Models	TY	1

^① Not for use with digital controls.

Features:

- **Climatuff**® compressor
- Efficiency up to 16.50 SEER and 9.0 HSPF
- All aluminum **Spine Fin**™ coil
- **WeatherGuard**™ II top shields unit
- **WeatherGuard**™ fasteners
- **Quick-Sess**™ cabinet, service access and refrigerant connections with full coil protection
- **DuraTuff**™ base, fast complete drain, weather proof
- **Comfort"R"**™ mode approved
- Glossy corrosion resistant finish
- Internal compressor high/low pressure and temperature protection
- Compressor sump heat
- Liquid line filter-drier
- Tarpaulin gray cabinet with anthracite gray top
- Low sound with advanced fan system and compressor sound insulator
- Demand Defrost Control with diagnostics
- XL Seacoast shield
- Service valve cover
- R-22 refrigerant
- **10 year limited warranty on compressor, coil, and internal functional parts (Residential Use)**
- **Extended warranties available**
- S.E.E.T. design testing
- 100% line run test
- Low ambient cooling to 55°F as shipped
- Low ambient cooling to 30°F with AY28X084





1-1/2 — 5 Ton
2TWX4018 - 060B

XL 14i Weathertron® Split System Heat Pump

Specifications: 1 Phase

Model Number	Power Supply	Nom. Cap. Cooling (BTUH)	Uncrated Dimensions(in.)			Mfg. Plant	Shipping Weight
			H	W	D		
2TWX4018B1000A	200/230/1/60	18,000	40	33	30	TY	249
2TWX4024B1000A	200/230/1/60	24,000	44	33	30	TY	263
2TWX4030B1000A	208/230/1/60	30,000	42	37	34	TY	276
2TWX4036B1000A	208/230/1/60	36,000	46	37	34	TY	295
2TWX4042B1000A	208/230/1/60	42,000	50	37	34	TY	310
2TWX4048B1000A	208/230/1/60	48,000	50	37	34	TY	314
2TWX4060B1000A	208/230/1/60	60,000	50	37	34	TY	339

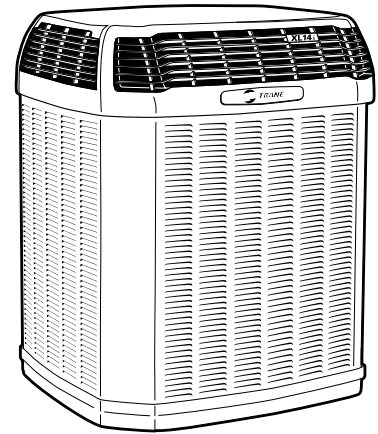
Accessories:

Model Number	Description	Used With	Mfg. Plant	Shipping Weight
Extended Warranties	(See Extended Warranty Section)			
Controls	(See Control Section)			
BAYLEGS002	Snow Legs - Base and Cap 4" High	All Heat Pump Models	TY	1
BAYLEGS003	4" Extention	BAYLEGS002	TY	1
AY28X084	Evap. Defrost Control Kit	All Heat Pump Models	TY	1
TAYASCT501A ^①	Anti-Short Cycle Timer	All Heat Pump Models	TY	1
BAYKSKT260	Start Kit	2.5 - 4 Ton Models	TY	1
BAYECMT001	Extreme Conditions Mounting Kit	All Heat Pump Models	TY	2
BAYVDTA003	Vertical Discharge Air Kit Base 3	2 - 3 Ton Models	TY	10
BAYVDTA004	Vertical Discharge Air Kit Base 4	3.5 - 5 Models	TY	10
BAYISLT101	Rubber Isolators	All Heat Pump Models	TY	1

^① Not for use with digital controls.

Features:

- Climatuff® compressor
- Efficiency up to 15.00 SEER and 9.0 HSPF
- All aluminum Spine Fin™ coil
- WeatherGuard™ II top shields unit
- WeatherGuard™ fasteners
- Quick-Sess™ cabinet, service access and refrigerant connections with full coil protection
- DuraTuff™ base, fast complete drain, weather proof
- Comfort"R"™ mode approved
- Glossy corrosion resistant finish
- Internal compressor pressure/temperature protection
- Compressor sump heat
- Liquid line filter-drier
- Tarpaulin gray cabinet with anthracite gray top
- Low sound with advanced fan system and compressor sound insulator
- XL Seacoast shield
- Demand Defrost Control with diagnostics
- 018,024,060 ship with start kit
- Service valve cover
- R-22 refrigerant
- **10 year limited warranty on compressor, coil, and internal functional parts (Residential Use)**
- **Extended warranties available**
- S.E.E.T. design testing
- 100% line run test
- Low ambient cooling to 55°F as shipped
- Low ambient cooling to 30°F with AY28X084





2 — 5 Ton 4TWX4024 - 060B

XL 14i Weathertron® Split System Heat Pump

Specifications: 1 Phase

Model Number	Power Supply	Nom. Cap. Cooling (BTUH)	Uncrated Dimensions(in.)			Mfg. Plant	Shipping Weight
			H	W	D		
4TWX4024B1000A	200/230/1/60	24,000	48	33	30	TY	272
4TWX4030B1000A	208/230/1/60	30,000	48	33	30	TY	268
4TWX4036B1000A	208/230/1/60	36,000	46	37	34	TY	298
4TWX4042B1000A	208/230/1/60	42,000	50	37	34	TY	314
4TWX4048B1000A	208/230/1/60	48,000	50	37	34	TY	320
4TWX4060B1000A	208/230/1/60	60,000	50	37	34	TY	358

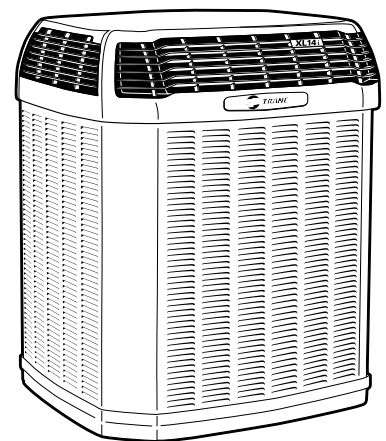
Accessories:

Model Number	Description	Used With	Mfg. Plant	Shipping Weight
Extended Warranties	(See Extended Warranty Section)			
Controls	(See Control Section)			
BAYLEGS002	Snow Legs - Base and Cap 4" High	All Heat Pump Models	TY	1
BAYLEGS003	4" Extention	BAYLEGS002	TY	1
AY28X084	Evap. Defrost Control Kit	All Heat Pump Models	TY	1
TAYASCT501A①	Anti-Short Cycle Timer	All Heat Pump Models	TY	1
BAYKSKT260	Start Kit	2.5 - 4 Ton Models	TY	1
BAYECMT001	Extreme Conditions Mounting Kit	All Heat Pump Models	TY	2
BAYVDTA003	Vertical Discharge Air Kit Base 3	2 - 3 Ton Models	TY	10
BAYVDTA004	Vertical Discharge Air Kit Base 4	3.5 - 5 Models	TY	10
BAYISLT101	Rubber Isolators	All Heat Pump Models	TY	1

① Not for use with digital controls.

Features:

- Climatuff® compressor
- Efficiency up to 15.00 SEER and 9.0 HSPF
- All aluminum Spine Fin™ coil
- WeatherGuard™ II top shields unit
- WeatherGuard™ fasteners
- Quick-Sess™ cabinet, service access and refrigerant connections with full coil protection
- DuraTuff™ base, fast complete drain, weather proof
- Comfort"R"™ mode approved
- Glossy corrosion resistant finish
- Internal compressor pressure/temperature protection
- Compressor sump heat
- Liquid line filter-drier
- Tarpaulin gray cabinet with anthracite gray top
- Low sound with advanced fan system and compressor sound insulator
- Demand Defrost Control with diagnostics
- High pressure switch
- 024,060 ship with start kit
- XL Seacoast shield
- Service valve cover
- R-410A refrigerant
- **10 year limited warranty on compressor, coil, and internal functional parts (Residential Use)**
- **Extended warranties available**
- S.E.E.T. design testing
- 100% line run test
- Low ambient to 30°F with AY28X084
- Low ambient cooling to 55°F as shipped





1-1/2 — 5 Ton
2TWR4018 - 060A

**XR 14 Weathertron®
Split System
Heat Pump**

Specifications: 1 Phase

Model Number	Power Supply	Nom. Cap. Cooling (BTUH)	Uncrated Dimensions(in.)			Mfg. Plant	Shipping Weight
			H	W	D		
2TWR4018A1000A	200/230/1/60	18,000	33	33	30	TY	229
2TWR4024A1000A	200/230/1/60	24,000	37	33	30	TY	242
2TWR4030A1000A	208/230/1/60	30,000	33	37	34	TY	254
2TWR4036A1000A	208/230/1/60	36,000	37	37	34	TY	273
2TWR4042A1000A	208/230/1/60	42,000	41	37	34	TY	286
2TWR4048A1000A	208/230/1/60	48,000	41	37	34	TY	291
2TWR4060A1000A	208/230/1/60	60,000	41	37	34	TY	315

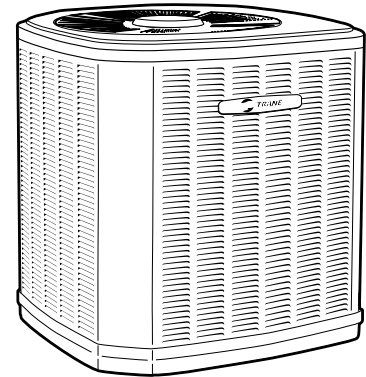
Accessories:

Model Number	Description	Used With	Mfg. Plant	Shipping Weight
Extended Warranties	(See Extended Warranty Section)			
Controls	(See Control Section)			
BAYLOAM103	Low Ambient Kit	All Heat Pump Models	TY	1
BAYLEGS002	Snow Legs - Base and Cap 4" High	All Heat Pump Models	TY	1
BAYLEGS003	4" Extension	BAYLEGS002	TY	1
AY28X084	Evap. Defrost Control Kit	All Heat Pump Models	TY	1
TAYASCT501A [Ⓢ]	Anti-Short Cycle Timer	All Heat Pump Models	TY	1
BAYKSKT260	Start Kit	2.5 - 4 Ton Models	TY	1
BAYECMT001	Extreme Conditions Mounting Kit	All Heat Pump Models	TY	2
BAYSEAC001	Seacoast Kit	All Heat Pump Models	TY	1
BAYISLT101	Rubber Isolators	All Heat Pump Models	TY	1

[Ⓢ] Not for use with digital controls.

Features:

- Climatuff® compressor
- Efficiency up to 14.00 SEER and 9.0 HSPF
- All aluminum Spine Fin™ coil
- WeatherGuard™ fasteners
- Quick-Sess™ cabinet, easy service access and refrigerant connections with full coil protection
- DuraTuff™ base, fast complete drain, weather proof
- Comfort"R"™ mode approved
- Glossy corrosion resistant finish
- Internal compressor high/low pressure and temperature protection
- 018,024,060 ship with start kit
- Compressor sump heat
- Liquid line filter-drier
- Tarpaulin gray cabinet with anthracite gray badge & cap
- Demand Defrost Control with diagnostics
- Service valve cover
- R-22 refrigerant
- **10 year limited warranty on compressor, coil, 5 years internal functional parts (Residential Use)**
- **Extended warranties available**
- S.E.E.T. design testing
- 100% line run test
- Low ambient cooling to 55°F as shipped
- Low ambient cooling to 30°F with AY28X084





2 — 5 Ton 4TWR4024 - 060A

XR 14 Weathertron® Split System Heat Pump

Specifications: 1 Phase

Model Number	Power Supply	Nom. Cap. Cooling (BTUH)	Uncrated Dimensions(in.)			Mfg. Plant	Shipping Weight
			H	W	D		
4TWR4024A1000A	200/230/1/60	24,000	41	33	30	TY	251
4TWR4030A1000A	208/230/1/60	30,000	41	33	30	TY	253
4TWR4036A1000A	208/230/1/60	36,000	37	37	34	TY	276
4TWR4042A1000A	208/230/1/60	42,000	41	37	34	TY	290
4TWR4048A1000A	208/230/1/60	48,000	41	37	34	TY	297
4TWR4060A1000A	208/230/1/60	60,000	41	37	34	TY	335

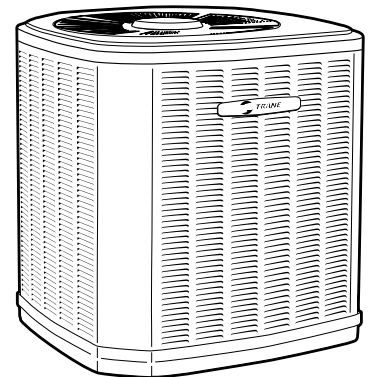
Accessories:

Model Number	Description	Used With	Mfg. Plant	Shipping Weight
Extended Warranties	(See Extended Warranty Section)			
Controls	(See Control Section)			
BAYLOAM103	Low Ambient Kit	All Heat Pump Models	TY	1
BAYLEGS002	Snow Legs - Base and Cap 4" High	All Heat Pump Models	TY	1
BAYLEGS003	4" Extension	BAYLEGS002	TY	1
AY28X084	Evap. Defrost Control Kit	All Heat Pump Models	TY	1
TAYASCT501A ^①	Anti-Short Cycle Timer	All Heat Pump Models	TY	1
BAYSKT260	Start Kit	2.5 - 4 Ton Models	TY	1
BAYECMT001	Extreme Conditions Mounting Kit	All Heat Pump Models	TY	2
BAYSEAC001	Seacoast Kit	All Heat Pump Models	TY	1
BAYISLT101	Rubber Isolators	All Heat Pump Models	TY	1

^① Not for use with digital controls.

Features:

- **Climatuff**® compressor
- Efficiency up to 14.00 SEER and 9.0 HSPF
- All aluminum **Spine Fin**™ coil
- **WeatherGuard**™ fasteners
- **Quick-Sess**™ cabinet, easy service access and refrigerant connections with full coil protection
- **DuraTuff**™ base, fast complete drain, weather proof
- **Comfort"R"**™ mode approved
- Glossy corrosion resistant finish
- Internal compressor high/low pressure & temperature protection
- 024,060 ship with start kit
- Compressor sump heat
- Liquid line filter-drier
- Tarpaulin gray cabinet with anthracite gray badge & cap
- High pressure switch
- Demand Defrost Control with diagnostics
- Service valve cover
- R-410A refrigerant
- **10 year limited warranty on compressor, coil, 5 years internal functional parts (Residential Use)**
- **Extended warranties available**
- S.E.E.T. design testing
- 100% line run test
- Low ambient to 30°F with AY28X084
- Low ambient cooling to 55°F as shipped





1-1/2 — 5 Ton
2TWR3018 - 060A

XR 13 Weathertron® Split System Heat Pump

Specifications: 1 Phase

Model Number	Power Supply	Nom. Cap. Cooling (BTUH)	Uncrated Dimensions(in.)			Mfg. Plant	Shipping Weight
			H	W	D		
2TWR3018A1000A	200/230/1/60	18,000	33	29	26	TY	202
2TWR3024A1000A	200/230/1/60	24,000	33	29	26	TY	205
2TWR3030A1000A	200/230/1/60	30,000	37	33	30	TY	242
2TWR3036A1000A	200/230/1/60	36,000	37	37	34	TY	292
2TWR3042A1000A	200/230/1/60	42,000	41	37	34	TY	309
2TWR3048A1000A	200/230/1/60	48,000	41	37	34	TY	315
2TWR3060A1000A	208/230/1/60	60,000	41	37	34	TY	321

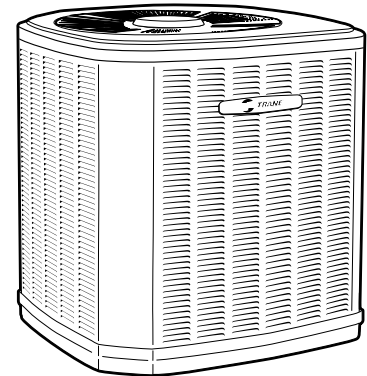
Accessories:

Model Number	Description	Used With	Mfg. Plant	Shipping Weight
Extended Warranties	(See Extended Warranty Section)			
Controls	(See Control Section)			
BAYLOAM103	Low Ambient Kit	All Heat Pump Models	TY	1
BAYLEGS002	Snow Legs - Base and Cap 4" High	All Heat Pump Models	TY	1
BAYLEGS003	4" Extension	BAYLEGS002	TY	1
AY28X084	Evap. Defrost Control Kit	All Heat Pump Models	TY	1
TAYASCT501A ^①	Anti-Short Cycle Timer	All Heat Pump Models	TY	1
BAYECMT001	Extreme Conditions Mounting Kit	All Heat Pump Models	TY	2
BAYSEAC001	Seacoast Kit	All Heat Pump Models	TY	1
BAYISLT101	Rubber Isolators	All Heat Pump Models	TY	1

^① Not for use with digital controls.

Features:

- Climatuff® compressor
- Efficiency up to 14.00 SEER and 8.50 HSPF
- All aluminum Spine Fin™ coil
- WeatherGuard™ fasteners
- Quick-Sess™ cabinet, service access and refrigerant connections with full coil protection
- DuraTuff™ base, fast complete drain, weatherproof
- Comfort"R"™ mode approved
- Glossy corrosion resistant finish
- Internal compressor high/low pressure and temperature protection
- Start Kit standard
- Compressor sump heat
- Liquid line filter-drier
- Tarpaulin gray cabinet with anthracite gray badge & cap
- Low pressure switch
- Demand Defrost Control with diagnostics
- Service valve cover
- R-22 refrigerant
- **10 year limited warranty on compressor, coil, and 5 years on internal functional parts (Residential Use)**
- **Extended warranties available**
- S.E.E.T. design testing
- 100% line run test
- Low ambient cooling to 55°F as shipped
- Low ambient cooling to 30°F with AY28X084
- Low ambient cooling to 0°F with BAYLOAM103





1-1/2 — 5 Ton
4TWR3018 - 060A

XR 13 Weathertron® Split System Heat Pump

Specifications: 1 Phase

Model Number	Power Supply	Nom. Cap. Cooling (BTUH)	Uncrated Dimensions(in.)			Mfg. Plant	Shipping Weight
			H	W	D		
4TWR3018A1000A	200/230/1/60	17,000	29	33	30	TY	221
4TWR3024A1000A	200/230/1/60	23,000	29	33	30	TY	225
4TWR3030A1000A	200/230/1/60	28,500	37	33	30	TY	238
4TWR3036A1000A	208/230/1/60	34,500	37	37	34	TY	280
4TWR3042A1000A	208/230/1/60	40,500	37	37	34	TY	281
4TWR3048A1000A	208/230/1/60	46,500	41	37	34	TY	294
4TWR3060A1000A	208/230/1/60	58,500	41	37	34	TY	317

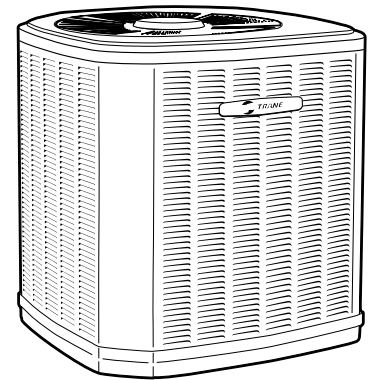
Accessories:

Model Number	Description	Used With	Mfg. Plant	Shipping Weight
Extended Warranties (See Extended Warranty Section)				
Controls (See Control Section)				
BAYLEGS002	Snow Legs - Base and Cap 4" High	All Heat Pump Models	TY	1
BAYLEGS003	4" Extension	BAYLEGS002	TY	1
BAYSDEN003	Sound Enclosure Small Scroll	3 - 4 Ton Models	TY	8
BAYSDEN004	Sound Enclosure Large Scroll	5 Ton Models	TY	8
AY28X084	Evap. Defrost Control Kit	All Heat Pump Models	TY	1
TAYASCT501A ^①	Anti-Short Cycle Timer	All Heat Pump Models	TY	1
BAYKSKT260	Start Kit	3 - 4 Ton Models	TY	1
BAYECMT001	Extreme Conditions Mounting Kit	All Heat Pump Models	TY	2
BAYCCHT300	Crankcase Heater Kit	1.5 Ton Models	TY	1
BAYSEAC001	Seacoast Kit	All Heat Pump Models	TY	1
BAYLOAM103	Low Ambient Kit	All Heat Pump Models	TY	1
BAYISLT101	Rubber Isolators	All Heat Pump Models	TY	1

^① Not for use with digital controls.

Features:

- Climatuff® compressor
- Efficiency up to 14.00 SEER and 8.5 HSPF
- All aluminum Spine Fin™ coil
- WeatherGuard™ fasteners
- Quick-Sess™ cabinet, service access and refrigerant connections with full coil protection
- DuraTuff™ base, fast complete drain, weather proof
- Comfort"R"™ mode approved
- Glossy corrosion resistant finish
- Internal compressor high/low pressure & temperature protection
- 018,024,030 & 060 ship with Start Kit
- Liquid line filter-drier
- Tarpaulin gray cabinet with anthracite gray badge & cap
- Low Pressure Switch
- Demand Defrost Control with diagnostics
- Compressor sump heat
- High Pressure Switch
- Service valve cover
- R-410A refrigerant
- **10 year limited warranty on compressor, coil, and 5 years on internal functional parts (Residential Use)**
- **Extended warranties available**
- S.E.E.T. design testing
- 100% line run test
- Low ambient cooling to 55°F as shipped
- Low ambient cooling to 30°F with AY28X084
- Low ambient cooling to 0°F with BAYLOAM103





1-1/2 — 5 Ton
2TWB3018 - 060A

XB 13 Weathertron® Split System Heat Pump

Specifications: 1 Phase

Model Number	Power Supply	Nom. Cap. Cooling (BTUH)	Uncrated Dimensions(in.)			Mfg. Plant	Shipping Weight
			H	W	D		
2TWB3018A1000A	200/230/1/60	17,000	33	29	26	TY	202
2TWB3024A1000A	200/230/1/60	23,000	33	29	26	TY	205
2TWB3030A1000A	200/230/1/60	28,500	37	33	30	TY	240
2TWB3036A1000A	200/230/1/60	34,500	37	37	34	TY	291
2TWB3042A1000A	200/230/1/60	40,500	41	37	34	TY	308
2TWB3048A1000A	200/230/1/60	46,500	41	37	34	TY	312
2TWB3060A1000A	208/230/1/60	58,500	41	37	34	TY	318

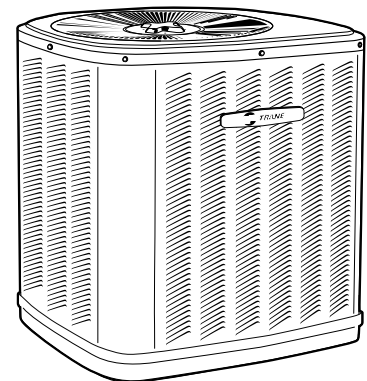
Accessories:

Model Number	Description	Used With	Mfg. Plant	Shipping Weight
Extended Warranties	(See Extended Warranty Section)			
Controls	(See Control Section)			
BAYLEGS002	Snow Legs - Base and Cap 4" High	All Heat Pump Models	TY	1
BAYLEGS003	4" Extension	BAYLEGS002	TY	1
BAYSDEN001	Sound Enclosure 1 Cycle Recip	1.5 - 2.5 Ton Models	TY	8
BAYSDEN004	Sound Enclosure Large Scroll	5 Ton Models	TY	8
AY28X084	Evap. Defrost Control Kit	All Heat Pump Models	TY	1
TAYASCT501A ^①	Anti-Short Cycle Timer	All Heat Pump Models	TY	1
BAYECMT001	Extreme Conditions Mounting Kit	All Heat Pump Models	TY	2
BAYSEAC001	Seacoast Kit	All Heat Pump Models	TY	1
BAYLOAM103	Low Ambient Kit	All Heat Pump Models	TY	1
BAYISLT101	Rubber Isolators	All Heat Pump Models	TY	1

^① Not for use with digital controls.

Features:

- Climatuff® compressor
- Efficiency up to 13.25 SEER and 8.0 HSPF
- All aluminum Spine Fin™ coil
- WeatherGuard™ fasteners
- Quick-Sess™ cabinet, service access and refrigerant connections with full coil protection
- DuraTuff™ base, fast complete drain, weather proof
- Comfort"R"™ mode approved
- Glossy corrosion resistant finish
- Internal compressor high/low pressure & temperature protection
- Start Kit standard
- Compressor sump heat
- Liquid line filter-drier
- Polyslate gray cabinet with anthracite gray badge & cap
- Low Pressure Switch
- Demand Defrost Control with diagnostics
- R-22 refrigerant
- **5 year limited warranty on compressor, coil, and 5 years on internal functional parts (Residential Use)**
- **Extended warranties available**
- S.E.E.T. design testing
- 100% line run test
- Low ambient cooling to 55°F as shipped
- Low ambient cooling to 30°F with AY28X084V
- Low ambient cooling to 0°F with BAYLOAM103





1-1/2 — 5 Ton
4TWB3018 - 060A

XB 13 Weathertron® Split System Heat Pump

Specifications: 1 Phase

Model Number	Power Supply	Nom. Cap. Cooling (BTUH)	Uncrated Dimensions(in.)			Mfg. Plant	Shipping Weight
			H	W	D		
4TWB3018A1000A	200/230/1/60	17,000	29	33	30	TY	221
4TWB3024A1000A	200/230/1/60	23,000	29	33	30	TY	224
4TWB3030A1000A	200/230/1/60	28,500	37	33	30	TY	237
4TWB3036A1000A	208/230/1/60	34,500	37	37	34	TY	277
4TWB3042A1000A	208/230/1/60	40,500	37	37	34	TY	278
4TWB3048A1000A	208/230/1/60	46,500	41	37	34	TY	291
4TWB3060A1000A	208/230/1/60	58,500	41	37	34	TY	314

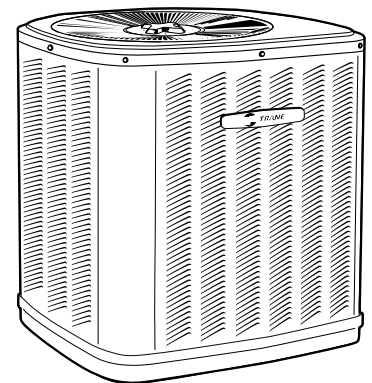
Accessories:

Model Number	Description	Used With	Mfg. Plant	Shipping Weight
Extended Warranties (See Extended Warranty Section)				
Controls (See Control Section)				
BAYLEGS002	Snow Legs - Base and Cap 4" High	All Heat Pump Models	TY	1
BAYLEGS003	4" Extension	BAYLEGS002	TY	1
BAYSDEN003	Sound Enclosure Small Scroll	3 - 4 Ton Models	TY	8
BAYSDEN004	Sound Enclosure Large Scroll	5 Ton Models	TY	8
AY28X084	Evap. Defrost Control Kit	All Heat Pump Models	TY	1
TAYASCT501A ^①	Anti-Short Cycle Timer	All Heat Pump Models	TY	1
BAYKSKT260	Start Kit	3 - 4 Ton Models	TY	1
BAYECMT001	Extreme Conditions Mounting Kit	All Heat Pump Models	TY	2
BAYCCHT300	Crankcase Heater Kit	1.5 Ton Models	TY	1
BAYSEAC001	Seacoast Kit	All Heat Pump Models	TY	1
BAYLOAM103	Low Ambient Kit	All Heat Pump Models	TY	1
BAYISLT101	Rubber Isolators	All Heat Pump Models	TY	1

^① Not for use with digital controls.

Features:

- **Climatuff®** compressor
- Efficiency up to 13.25 SEER and 8.0 HSPF
- All aluminum **Spine Fin™** coil
- **WeatherGuard™** fasteners
- **Quick-Sess™** cabinet, service access and refrigerant connections with full coil protection
- **DuraTuff™** base, fast complete drain, weather proof
- **Comfort"R"™** mode approved
- Glossy corrosion resistant finish
- Internal compressor high/low pressure & temperature protection
- 018,024,030 & 060 ship with Start Kit
- Liquid line filter-drier
- Polyslate gray cabinet with anthracite gray badge & cap
- Low Pressure Switch
- Demand Defrost Control with diagnostics
- High pressure switch
- Compressor sump heat
- R-410A refrigerant
- **5 year limited warranty on compressor, coil, and 5 years on internal functional parts (Residential Use)**
- **Extended warranties available**
- S.E.E.T. design testing
- 100% line run test
- Low ambient cooling to 55°F as shipped
- Low ambient cooling to 30°F with AY28X084
- Low ambient cooling to 0°F with BAYLOAM103





2-1/2 — 5 Ton
2TWA3030 - 060

**Weathertron®
Split System
Heat Pump
Three Phase**

Specifications: 3 Phase

Model Number	Power Supply	Nom. Cap. Cooling (BTUH)	Uncrated Dimensions (in.)			Mfg. Plant	Shipping Weight
			H	W	D		
2TWA3030A3000A	200-230/3/60	30,000	37	33	30	TY	239
2TWA3036A3000A	200-230/3/60	36,000	37	37	34	TY	285
2TWA3042A3000A	200-230/3/60	42,000	41	37	34	TY	304
2TWA3048A3000A	200-230/3/60	48,000	41	37	34	TY	309
2TWA3060A3000A	200-230/3/60	60,000	41	37	34	TY	303
2TWA3030A4000A	460/3/60	30,000	37	33	30	TY	239
2TWA3036A4000A	460/3/60	36,000	37	37	34	TY	286
2TWA3042A4000A	460/3/60	42,000	41	37	34	TY	305
2TWA3048A4000A	460/3/60	48,000	41	37	34	TY	310
2TWA3060A4000A	460/3/60	60,000	41	37	34	TY	304

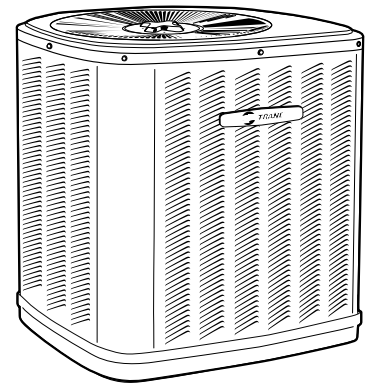
Accessories:

Model Number	Description	Used With	Mfg. Plant	Shipping Weight
Extended Warranties	(See Extended Warranty Section)			
Controls	(See Control Section)			
AY28X084	Evaporator Defrost Control	All Heat Pump Models	TY	1
BAY24X045	ID Fan Delay Kit	All Heat Pump Models	TY	1
TAYASCT501A①	Anti-Short Cycle Timer	All Heat Pump Models	TY	1
BAYLEGS002	Snow Legs - Base and Cap 4" High	All Heat Pump Models	TY	1
BAYLEGS003	4" Extension	BAYLEGS002	TY	1
BAYSDEN001	Sound Enclosure 1 Cycle Recip	2.5 Ton Models	TY	8
BAYSDEN002	Sound Enclosure 2 Cycle Recip	3 - 4 Ton Models	TY	8
BAYSDEN004	Sound Enclosure Large Scroll	5 Ton Models	TY	8
BAYECMT001	Extreme Conditions Mounting Kit	All Heat Pump Models	TY	2
BAYLOAM103	Low Ambient Kit	All Heat Pump Models	TY	1
BAYSEAC001	Seacoast Kit	All Heat Pump Models	TY	1
BAYISLT101	Rubber Isolators	All Heat Pump Models	TY	1

① Do not use with digital controls.

Features:

- Climatuff® compressor
- All aluminum Spine Fin™ coil
- WeatherGuard™ fasteners
- Quick-Sess™ cabinet, service access and refrigerant connections with full coil protection
- DuraTuff™ base, fast complete drain, weatherproof
- Comfort™ R™ mode approved
- Glossy corrosion resistant finish
- Internal compressor high/low pressure & temperature protection
- Compressor sump heat
- Liquid line filter-drier
- Polyslate gray cabinet with anthracite gray badge & cap
- Low pressure switch
- Demand Defrost Control with diagnostics
- R-22 refrigerant
- 5 year limited warranty on compressor, coil, and internal functional parts (Residential Use Only)
- 5 year limited warranty on compressor, coil, and 1 year on parts (Commercial Use Only)
- Extended warranties available
- S.E.E.T. design testing
- 100% line run test
- Low ambient cooling to 55°F as shipped
- Low ambient cooling to 30°F with AY28X084
- Low ambient cooling to 0°F with BAYLOAM103





2-1/2 — 5 Ton
4TWA3030 - 060

Weathertron® Split System Heat Pump Three Phase

Specifications: 3 Phase

Model Number	Power Supply	Nom. Cap. Cooling (BTUH)	Uncrated Dimensions (in.)			Mfg. Plant	Shipping Weight
			H	W	D		
4TWA3030A3000A	200-230/3/60	30,000	37	33	30	TY	233
4TWA3036A3000A	200-230/3/60	36,000	37	37	34	TY	264
4TWA3042A3000A	200-230/3/60	42,000	37	37	34	TY	269
4TWA3048A3000A	200-230/3/60	48,000	41	37	34	TY	277
4TWA3060A3000A	200-230/3/60	60,000	41	37	34	TY	297
<hr/>							
4TWA3030A4000A	460/3/60	30,000	37	33	30	TY	231
4TWA3036A4000A	460/3/60	36,000	37	37	34	TY	263
4TWA3042A4000A	460/3/60	42,000	37	37	34	TY	268
4TWA3048A4000A	460/3/60	48,000	41	37	34	TY	276
4TWA3060A4000A	460/3/60	60,000	41	37	34	TY	296

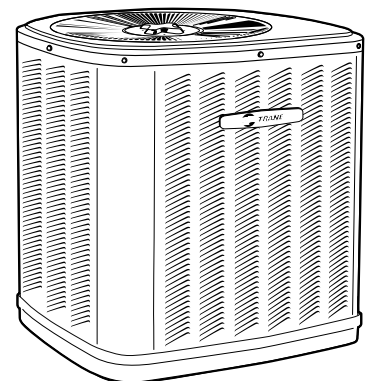
Accessories:

Model Number	Description	Used With	Mfg. Plant	Shipping Weight
Extended Warranties	(See Extended Warranty Section)			
Controls	(See Control Section)			
AY28X084	Evaporator Defrost Control	All Heat Pump Models	TY	1
BAY24X045	ID Fan Delay Kit	All Heat Pump Models	TY	1
TAYASCT501A①	Anti-Short Cycle Timer	All Heat Pump Models	TY	1
BAYLEGS002	Snow Legs - Base and Cap 4" High	All Heat Pump Models	TY	1
BAYLEGS003	4" Extension	BAYLEGS002	TY	1
BAYSDEN001	Sound Enclosure 1 Cycle Recip	2.5 Ton Models	TY	8
BAYSDEN003	Sound Enclosure Small Scroll	3 - 4 Ton Models	TY	8
BAYSDEN004	Sound Enclosure Large Scroll	5 Ton Models	TY	8
BAYECMT001	Extreme Conditions Mounting Kit	All Heat Pump Models	TY	2
BAYLOAM103	Low Ambient Kit	All Heat Pump Models	TY	1
BAYSEAC001	Seacoast Kit	All Heat Pump Models	TY	1
BAYISLT101	Rubber Isolators	All Heat Pump Models	TY	1

① Do not use with digital controls.

Features:

- Climatuff® compressor
- All aluminum Spine Fin™ coil
- WeatherGuard™ fasteners
- Quick-Sess™ cabinet, service access and refrigerant connections with full coil protection
- DuraTuff™ base, fast complete drain, weatherproof
- Comfort"R"™ mode approved
- Corrosion resistant finish
- Internal compressor high/low pressure & temperature protection
- Compressor sump heat
- Liquid line filter-drier
- Polyslate gray cabinet with anthracite gray badge & cap
- Low pressure switch
- High pressure switch
- Demand Defrost Control with diagnostics
- R-410A refrigerant
- 5 year limited warranty on compressor, coil, and internal functional parts (Residential Use Only)
- 5 year limited warranty on compressor, coil, and 1 year on parts (Commercial Use Only)
- Extended warranties available
- S.E.E.T. design testing
- 100% line run test
- Low ambient cooling to 55°F as shipped
- Low ambient cooling to 30°F with AY28X084
- Low ambient cooling to 0°F with BAYLOAM103





2-1/2 — 6 Ton
2TWA0030 - 072

**Weathertron®
Split System
Heat Pump
Three Phase**

Specifications: 3 Phase

Model Number	Power Supply	Nom. Cap. Cooling (BTUH)	Required FCCV Size ^①	Uncrated Dimensions (in.)			Mfg. Plant	Shipping Weight
				H	W	D		
2TWA0030A3000A	200-230/3/60	30,000	.069	29	29	26	TY	193
2TWA0036A3000A	200-230/3/60	36,000	.069	29	29	26	TY	192
2TWA0042A3000A	200-230/3/60	42,000	.077	33	33	30	TY	250
2TWA0048A3000A	200-230/3/60	48,000	.083	33	33	30	TY	254
2TWA0060A3000A	200-230/3/60	60,000	.095	33	37	34	TY	289
2TWA0072A3000A	200-230/3/60	72,000	N/A	41	37	34	TY	327
<hr/>								
2TWA0030A4000A	460/3/60	30,000	.069	29	29	26	TY	193
2TWA0036A4000A	460/3/60	36,000	.069	29	29	26	TY	192
2TWA0042A4000A	460/3/60	42,000	.077	33	33	30	TY	250
2TWA0048A4000A	460/3/60	48,000	.083	33	33	30	TY	254
2TWA0060A4000A	460/3/60	60,000	.095	33	37	34	TY	289
2TWA0072A4000A	460/3/60	72,000	N/A	41	37	34	TY	327

① FCCV located in Indoor Section

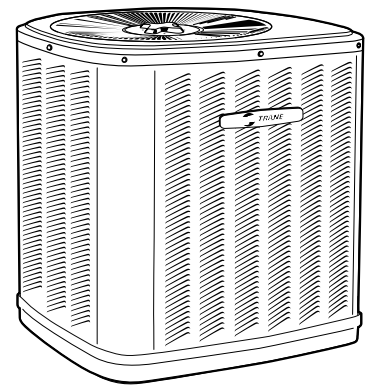
Accessories:

Model Number	Description	Used With	Mfg. Plant	Shipping Weight
Extended Warranties – (See Extended Warranty Section)				
Controls (See Controls Section)				
AY28X084	Evaporator Defrost Control	All Heat Pump Models	TY	1
BAY24X045	ID Fan Delay Kit	All Heat Pump Models	TY	1
TAYASCT501A ^①	Anti-Short Cycle Timer	All Heat Pump Models	TY	1
BAYLEGS002	Snow Legs - Base and Cap 4" High	All Heat Pump Models	TY	1
BAYLEGS003	4" Extension	BAYLEGS002	TY	1
BAYECMT001	Extreme Conditions Mounting Kit	All Heat Pump Models	TY	2
BAYLOAM103	Low Ambient Kit	All Heat Pump Models	TY	1
BAYSEAC001	Seacoast Kit	All Heat Pump Models	TY	1
BAYISLT101	Rubber Isolators	All Heat Pump Models	TY	1

① Do not use with digital controls.

Features:

- Climatuff® compressor
- All aluminum Spine Fin™ coil
- WeatherGuard™ fasteners
- Quick-Sess™ cabinet, service access and refrigerant connections with full coil protection
- DuraTuff™ base, fast complete drain, weatherproof
- Comfort"R"™ mode approved
- Glossy corrosion resistant finish
- Internal compressor high/low pressure & temperature protection
- Compressor sump heat
- Liquid line filter-drier
- Polyslate gray cabinet with anthracite gray badge & cap
- Demand Defrost Control with diagnostics
- Low pressure switch
- R-22 refrigerant
- **5 year limited warranty on compressor, coil, and internal functional parts (Residential Use Only)**
- **5 year limited warranty on compressor, coil, and 1 year on parts (Commercial Use Only)**
- **Extended warranties available**
- S.E.E.T. design testing
- 100% line run test
- Low ambient cooling to 55°F as shipped
- Low ambient cooling to 30°F with AY28X084
- Low ambient cooling to 0°F with BAYLOAM103



Specifications:

Model Number	Factory Installed Option	Power Supply	Capacity Cooling (BTUH)	Uncrated Dimensions (in.)			Mfg. Plant	Shipping Weight
				H	W	L		
TWA090A300F	—	208-230/3/60	91,000	39	34	41	SPR	390
TWA090A30SF	Epoxy Coil	208-230/3/60	91,000	39	34	41	SPR	390
TWA120A300F	—	208-230/3/60	124,000	44	38	51	SPR	502
TWA120A30SF	Epoxy Coil	208-230/3/60	124,000	44	38	51	SPR	502
TWA090A400F	—	460/3/60	91,000	39	34	41	SPR	390
TWA090A40SF	Epoxy Coil	460/3/60	91,000	39	34	41	SPR	390
TWA120A400F	—	460/3/60	124,000	44	38	51	SPR	502
TWA120A40SF	Epoxy Coil	460/3/60	124,000	44	38	51	SPR	502
TWA090AW00F	—	575/3/60	91,000	39	34	41	SPR	390
TWA090AW0SF	Epoxy Coil	575/3/60	91,000	39	34	41	SPR	390
TWA120AW00F	—	575/3/60	124,000	44	38	51	SPR	502
TWA120AW0SF	Epoxy Coil	575/3/60	124,000	44	38	51	SPR	502

Accessories:

Model Number	Description	Used With	Mfg. Plant	Shipping Weight
Extended Warranties – (1 yr - 5 yr – See Extended Warranty Section)				
BAYISLT005A	Rubber-In-Shear Isolator	TWA090-120A	SPR	2
BAYISLT023A	Steel Spring Isolator	TWA090-120A	SPR	12
BAYASCT001①	Anti-Short Cycle Timer	TWA090-120A	CK/001	1
BAYSTAT033A	ODT 45° F to - 10° F	TWA090-120A	SPR	1
BAYGARD024A	Coil Guard Kit	TWA090A	SPR	8
BAYGARD038A	Coil Guard Kit	TWA120A	SPR	11
BAYLOAM326A②③	Head Pressure Control - 230V*	TWA090A3	SPR	23
BAYLOAM327A②③	Head Pressure Control - 230V*	TWA120A3	SPR	23
BAYLOAM425A②③	Head Pressure Control - 460V*	TWA090A4	SPR	23
BAYLOAM426A②③	Head Pressure Control - 460V*	TWA120A4	SPR	23
BAYLOAM015A②	Head Pressure Control - 575V*	TWA090-120AW	SPR	23
BAYLOAMW22A③	Head Pressure Control - 575V*	TWA120AW	SPR	23
BAYLOAM429B	Head Pressure Control (W/O ReliaTel™ Option) (W/ElectroMechanical Controls)	TTA/TWA090-240	SPR	23
BAYRLAY005A	Heat Pump Interlock Relay Kit	BAYLOAM326-327A, BSPR BAYLOAM425-426A,B		1

*One head pressure controller per outdoor unit

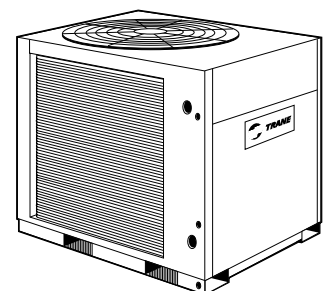
① Not required with programmable thermostats.

② Requires the use of BAYRLAY005A Interlock Relay Kit.

③ Head Pressure Controller only available with ReliaTel™ option (Digit 10 = R,T,U,W).

Features:

- Trane 3-D® Scroll compressor
- Compressor motor overload protection
- Control Transformer
- High and low pressure cut-out switches
- Liquid line filter drier, factory installed
- Service valves with pressure taps
- Thermostatic expansion valve
- Electronic time and temperature defrost control
- Solenoid operated switchover valve
- Holding charge of Nitrogen
- Copper tube, aluminum plate fin coils
- Low ambient cooling to 50°F as manufactured
- Low ambient cooling to 0°F with accessory head pressure control
- Heavy gauge steel cabinet
- Weather resistant baked enamel finish
- Mounting/lifting rails under base
- Optional factory installed Black Epoxy Coil for corrosion resistance
- UL listed and CSA certified
- **5 year compressor warranty**





15 — 20 Ton TWA180 - 240B

Split System Heat Pump

Specifications:

Model Number	Factory Installed Option	Power Supply	Capacity Cooling (BTUH)	Uncrated Dimensions (in.)			Mfg. Plant	Shipping Weight
				H	W	L		
TWA180B300F	—	208-230/3/60	182,000	38	88	34	SPR	816
TWA180B30SF	Epoxy Coil	208-230/3/60	182,000	38	88	34	SPR	816
TWA240B300F	—	208-230/3/60	240,000	45	94	44	SPR	934
TWA240B30SF	Epoxy Coil	208-230/3/60	240,000	45	94	44	SPR	934
TWA180B400F	—	460/3/60	182,000	38	88	34	SPR	816
TWA180B40SF	Epoxy Coil	460/3/60	182,000	38	88	34	SPR	816
TWA240B400F	—	460/3/60	240,000	45	94	44	SPR	934
TWA240B40SF	Epoxy Coil	460/3/60	240,000	45	94	44	SPR	934
TWA180BW00F	—	575/3/60	182,000	38	34	88	SPR	816
TWA180BW0SF	Epoxy Coil	575/3/60	182,000	38	34	88	SPR	816
TWA240BW00F	—	575/3/60	240,000	45	44	94	SPR	934
TWA240BW0SF	Epoxy Coil	575/3/60	240,000	45	44	94	SPR	934

Accessories:

Model Number	Description	Used With	Mfg. Plant	Shipping Weight
Extended Warranties – (1 yr - 5 yr – See Extended Warranty Section)				
BAYISLT009A	Rubber-In-Shear Isolators	TWA180B	SPR	2
BAYISLT010A	Rubber-In-Shear Isolators	TWA240B	SPR	2
BAYISLT024A	Steel Spring Isolators	TWA180B	SPR	12
BAYISLT025A	Steel Spring Isolators	TWA240B	SPR	12
BAYASCT001 ^②	Anti-Short-Cycle Timer	TWA180-240B	CK/001	1
BAYSTAT033A	ODT 45°F to -10°F	TWA180-240B	SPR	1
BAYGARD028A	Coil Guard Kit	TWA180B	SPR	22
BAYGARD042A	Coil Guard Kit	TWA240B	SPR	34
BAYLOAM329A ^{①③④}	Head Pressure Control-230V	TWA180B3	SPR	23
BAYLOAM328A ^{①③④}	Head Pressure Control-230V	TWA240B3	SPR	23
BAYLOAM428A ^{①③④}	Head Pressure Control-460V	TWA180B4	SPR	23
BAYLOAM427A ^{①③④}	Head Pressure Control-460V	TWA240B4	SPR	23
BAYLOAM015A	Head Pressure Control-575V*	TWA180BW	SPR	23
BAYLOAMW22A ^④	Head Pressure Control-575V*	TWA240BW	SPR	23
BAYLOAM429B	Head Pressure Control (W/ElectroMechanical Controls)	TTA/TWA090-240	SPR	23
BAYRLAY002 ^②	Time delay relay	TWA180-240B	CK/001	1
BAYRLAY005A	Heat Pump Interlock Kit	BAYLOAM326-329 BAYLOAM425-428A,B	SPR	1

① Quantity 2 required — 1 for each fan.

② Do not use with programmable thermostats.

③ Requires the use of BAYRLAY005A Interlock Kit.

④ Head Pressure Controller only available with ReliaTel™ option (Digit 10 = R,T,U,W).

Features:

- (2) Trane 3-D® Scroll compressors
- Compressor motor overload protection
- Control Transformer
- High and low pressure cut out switches
- Liquid line filter drier, factory installed
- Service valves with pressure taps
- Thermostatic expansion valve
- Solenoid operated switchover valve
- Holding charge of Nitrogen
- Copper tube, aluminum plate fin coils
- Electronic time and temperature defrost control
- Low Ambient cooling to 50°F as manufactured
- Low Ambient cooling to 0°F with accessory head pressure control
- Heavy gauge steel cabinet
- Weather resistant baked enamel finish
- Mounting/lifting rails under base
- Optional factory installed Black Epoxy Coil for corrosion resistance
- UL listed
- **Compressor warranty for TWA180B is five years.**
- **Standard compressor warranty for TWA240B is one year.**



7-1/2 — 20 Ton
TWA090 - 120A
TWA180 - 240B

**Split System
Heat Pump**

Thermostats:

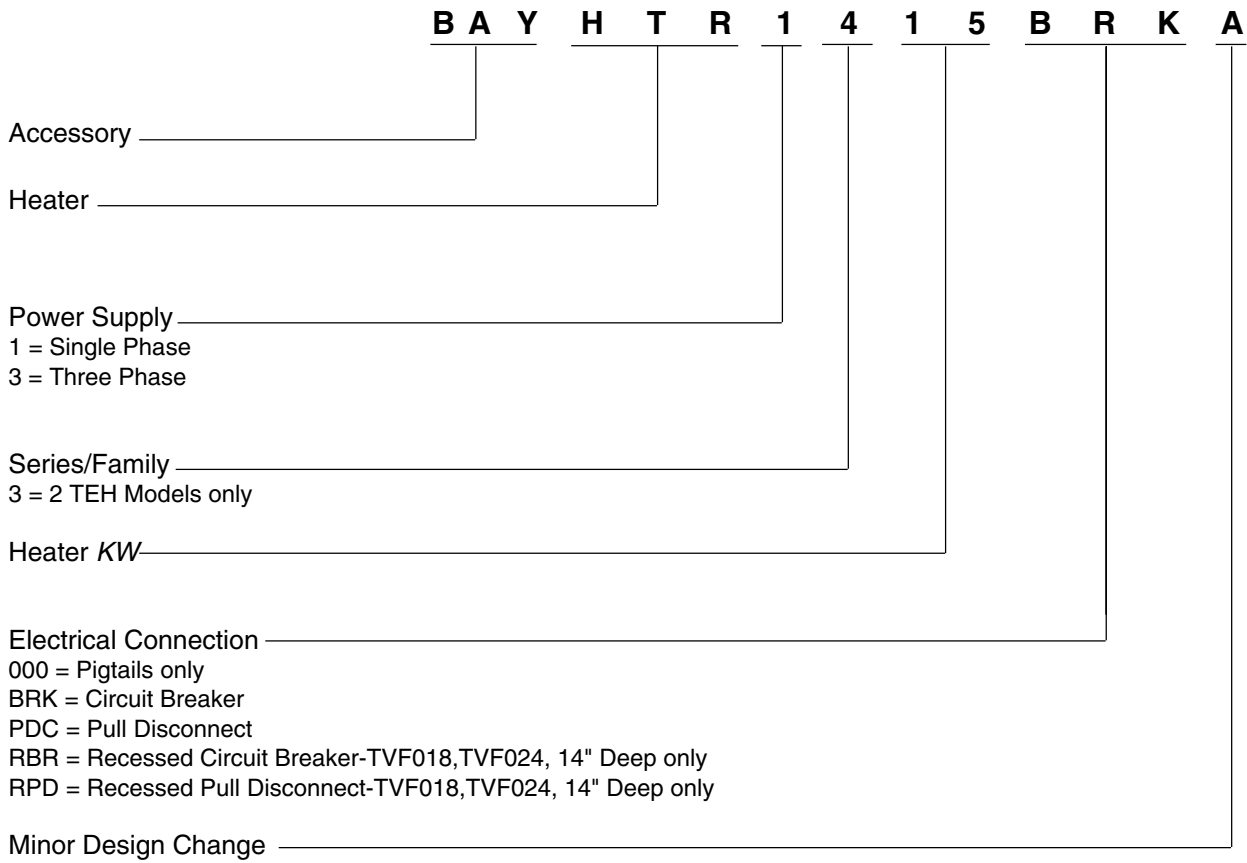
Model Number	Description	Used With	Mfg. Plant	Shipping Weight
TAYSTAT570	Electronic, 2 Htg/1Clg (Non Prog.)	All Heat Pump Models	TY	1
BAY28X138A	2Htg/1Clg Automatic Changeover	TWA090-120A	TY	2
BAY28X153A	3Htg/2Clg Automatic Changeover	TWA180-240B	SPR	2
BAYSTAT239A	2Htg/1Clg Manual Changeover	TWA090-120A	TY	1
BAYSTAT050A	2 Htg/2Clg Digital Display/ Programmable Thermostat	TWA090A-240B	CK/001	1
BAYSTAT051A	1 Htg/1Clg Digital Display Thermostat	TWA090A-120A	CK/001	1
BAYSTAT052A	2 Htg/2Clg Digital Display/ Programmable "TOUCH SCREEN" Thermostat	TWA090A-240B	CK/001	1
BAYSTAT055A	3 Htg/2Clg Digital Display Thermostat	TWA090A-240B	CK/001	1
BAYSTAT059A	Return Air Remote Sensor	TWA090A-240B	CK/001	1
BAYSTAT060A	Wall Mounted Remote Sensor	TWA090A-240B	CK/001	1
BAY28X190 ^①	Locking Thermostat Cover	All Room Thermostats	TY	2

① Do not use with programmable thermostats.



Air Handler/ Electric Furnace Heaters

Nomenclature





Air Handler/ Electric Furnace

Nomenclature

4 T E E 3 F 36 A 1 0 00 A A

2 = R22
4 = R410A

Application

E = Fully Convertible G = Semi-Convertible
V = Vertical F = Front Return

Product Family

E = Leadership-Variable Speed
H = High Efficiency
C = Replacement/Retail
B = Basic

Flow Control

3 = Non-bleed TXV
4 = FCCV*

Feature Identifier

0 = Standard Unit F = Air-Tite

Nominal Capacity in 000's of BTU's

Major Design Modifications

Power Supply

1 = Single Phase

Electrical Connection

0 = Pig Tails B = Circuit Breaker D = Pull Disconnect

Future Option - Factory Installed Heater Nominal KW Value

Minor Design Modifications

Unit Parts Identifier

NOTE: There will be a phase-in of new model numbers for new air handlers over next 2 yrs.

*Shipped with R22 FCCV



Air Handler/ Electric Furnace

Nomenclature

T W E 0 1 8 C 1 3 0 A

T = Business Component

W = Weathertron® Heat Pump

V = Vertical

E = Electric Furnace

E = Convertible

F = Front Return

H = Horizontal

G = Semi Convertible

0 = Braze

Nominal Capacity in 000's of BTUH's

P = High Efficiency

E = Electronic Variable Speed Drive

B = Built-in fan delay

C = Convertible

All Other = Standard System

Electrical Characteristics

2 = Cap Tube

3 = Non Bleed TXV

4 = **AccuTron™** Flow Control/Check Valve

5 = Bleed TXV

0 = Standard

F = **Airtite™**

Minor Design Change



Air Handler Commercial

Nomenclature

T W E 0 9 0 A 1 0 0 A 0

Product Type

TW = Cooling/Heat Pump

Air Flow Type

E = Convertible - Upflow/Horizontal Only

Nominal Gross Cooling Capacity (MBh)

- 060 = 5 Tons
- 090 = 7-1/2 Tons
- 120 = 10 Tons
- 180 = 15 Tons
- 240 = 20 Tons

Refrigerant Circuits

- A = Single Circuit
- B = Dual Circuit

Electrical Characteristics

- 1 = 208-230/1/60
- 3 = 208-230/3/60
- 4 = 460/3/60

Factory Installed Options

- 00 = Packed Stock, No Options

Minor Design Sequence

Service Digit



**2TEE3F31,37,39,40,
48,49,62,64,65A
1-1/2 — 5 Ton**

**Variable Speed
Convertible
Air-Tite™
Air Handlers
for R-22**

Specifications: Variable Speed R-22 Air-Tite™

Model Number	Power Supply	Nominal Cap. Clg. (BTUH)	Ref. Con.	TXV Type	Fan Speed	Uncrated Dimensions(in.)			Mfg. Plant	Shipping Weight
						H	W	D		
2TEE3F31A1000A	200/230/1/60	31,000	BZ	Non-Bleed	Variable	43	21.5	21	VI	134
2TEE3F37A1000A	200/230/1/60	37,000	BZ	Non-Bleed	Variable	45	23.5	21	VI	142
2TEE3F40A1000A	200/230/1/60	40,000	BZ	Non-Bleed	Variable	51.8	26	21	VI	174
2TEE3F49A1000A	200/230/1/60	49,000	BZ	Non-Bleed	Variable	57.9	26	21	VI	188
2TEE3F65A1000A	200/230/1/60	65,000	BZ	Non-Bleed	Variable	62.8	26	21	VI	218

Specifications: Dual Circuit-Variable Speed R-22 Air-Tite™

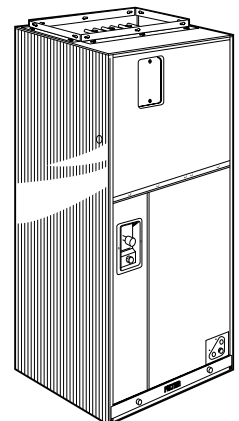
Model Number	Power Supply	Nominal Cap. Clg. (BTUH)	Ref. Con.	TXV Type	Fan Speed	Uncrated Dimensions(in.)			Mfg. Plant	Shipping Weight
						H	W	D		
2TEE3F62A1000A	200/230/1/60	64,000	BZ	Non-Bleed(2)	Variable	62.75	26	21	VI	218

Specifications: Variable Speed - with Vortica™ Air-Tite™

Model Number	Power Supply	Nominal Cap. Clg. (BTUH)	Ref. Con.	TXV Type	Fan Speed	Uncrated Dimensions(in.)			Mfg. Plant	Shipping Weight
						H	W	D		
2TEE3F39A1000A	200/230/1/60	39,000	BZ	Non-Bleed	Variable	57.9	23.5	21	VI	160
2TEE3F48A1000A	200/230/1/60	48,000	BZ	Non-Bleed	Variable	57.9	23.5	21	VI	170
2TEE3F64A1000A	200/230/1/60	64,000	BZ	Non-Bleed	Variable	57.9	23.5	21	VI	170

2TEE3F Features:

- Ships vertical - converts to horizontal by laying on side
- Six-way convertibility-horizontal left & right, front & rear access; upflow, downflow
- Electrical knock-outs on either side
- Compact 21" depth for easy installation
- Variable speed ECM motor
- 3.5, 4, and 5 ton models available in 26" widths or with **Vortica™** in 23.5" widths
- Direct drive blower
- **Comfort-R™** enhanced dehumidification start-up
- Soft start - On cycle fan speed is increased gradually to reduce sound and drafts
- 1" thick foil face insulated cabinet
- Corrosion resistant galvanized metal with attractive finish
- Versatile duct flange-allows flush fit 3/4", 1" or 1.5" duct insulation
- Exclusive duct flange thermal break/seal
- Expansion valve refrigerant control
- Check valve for heat pump application
- Easy **Air-Tite™** access to filter
- Internally enhanced finned coil tubing
- External brazed refrigerant connections
- Filter rack with standard size filter
- Filter panel stamped with word "filter"
- Filter door seal
- 200/230 volt primary & 24 volt secondary transformer
- Low voltage terminal board
- Uses 1400 series heaters
- Access to heater circuit breakers/pull disconnects
- Polarized plugs for making motor and transformer electrical connections from air handler control box to electric heaters
- Primary and secondary drain connections
- Built-in indoor fan delay function for increased efficiency
- 2TEE3F31A airflow selectable for 1-1/2 — 3 ton O.D. unit
- 2TEE3F37A, 39A, 40A airflow selectable for 2 — 3-1/2 ton O.D. unit
- 2TEE3F48A, 49A airflow selectable for 3 — 5 ton O.D. unit
- 2TEE3F64A, 65A airflow selectable for 3-1/2 — 5 ton O.D. unit
- Energy savings continuous fan
- Enhanced cooling/heating control
- **Five year limited parts warranty**
- **Optional extended warranties**





4TEE3F31,37,40,49,62,65B
4TEE3F39,48,64A
1-1/2 — 5 Ton

**Variable Speed
 Convertible
 Air-Tite™
 Air Handlers
 for R-410A**

Specifications: Variable Speed R-410A Air-Tite™

Model Number	Power Supply	Nominal Cap. Clg. (BTUH)	Ref. Con.	TXV Type	Fan Speed	Uncrated Dimensions(in.)			Mfg. Plant	Shipping Weight
						H	W	D		
4TEE3F31B1000A	200/230/1/60	31,000	BZ	Non-Bleed	Variable	43	21.5	21	VI	134
4TEE3F37B1000A	200/230/1/60	37,000	BZ	Non-Bleed	Variable	45	23.5	21	VI	142
4TEE3F40B1000A	200/230/1/60	40,000	BZ	Non-Bleed	Variable	51.8	26	21	VI	174
4TEE3F49B1000A	200/230/1/60	49,000	BZ	Non-Bleed	Variable	57.9	26	21	VI	188
4TEE3F65B1000A	200/230/1/60	65,000	BZ	Non-Bleed	Variable	62.8	26	21	VI	218

Specifications: Dual Circuit-Variable Speed R-410A Air-Tite™

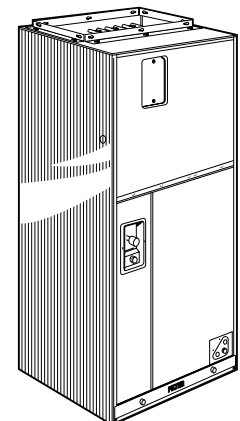
Model Number	Power Supply	Nominal Cap. Clg. (BTUH)	Ref. Con.	TXV Type	Fan Speed	Uncrated Dimensions(in.)			Mfg. Plant	Shipping Weight
						H	W	D		
4TEE3F62B1000A	200/230/1/60	64,000	BZ	Non-Bleed(2)	Variable	62.75	26	21	VI	218

Specifications: Variable Speed - with Vortica™ Air-Tite™

Model Number	Power Supply	Nominal Cap. Clg. (BTUH)	Ref. Con.	TXV Type	Fan Speed	Uncrated Dimensions(in.)			Mfg. Plant	Shipping Weight
						H	W	D		
4TEE3F39A1000A	200/230/1/60	39,000	BZ	Non-Bleed	Variable	57.9	23.5	21	VI	160
4TEE3F48A1000A	200/230/1/60	48,000	BZ	Non-Bleed	Variable	57.9	23.5	21	VI	170
4TEE3F64A1000A	200/230/1/60	64,000	BZ	Non-Bleed	Variable	57.9	23.5	21	VI	170

4TEE3F Features:

- Ships vertical - converts to horizontal by laying on side
- Six-way convertibility-horizontal left & right, front & rear access; upflow, downflow
- Electrical knock-outs on either side
- Compact 21" depth for easy installation
- Variable speed ECM motor
- 3.5, 4, and 5 ton models available in 26" widths or with **Vortica™** in 23.5" widths
- Direct drive blower
- **Comfort-R™** enhanced dehumidification start-up
- Soft start - On cycle fan speed is increased gradually to reduce sound and drafts
- 1" thick foil face insulated cabinet
- Corrosion resistant galvanized metal with attractive finish
- Versatile duct flange-allows flush fit 3/4", 1" or 1.5" duct insulation
- Exclusive duct flange thermal break/seal
- Expansion valve refrigerant control
- Check valve for heat pump application
- Easy **Air-Tite™** access to filter
- Internally enhanced finned coil tubing
- External brazed refrigerant connections
- Filter rack with standard size filter
- Filter panel stamped with word "filter"
- Filter door seal
- 200/230 volt primary & 24 volt secondary transformer
- Low voltage terminal board
- Uses 1400 series heaters
- Access to heater circuit breakers/pull disconnects
- Polarized plugs for making motor and transformer electrical connections from air handler control box to electric heaters
- Primary and secondary drain connections
- Built-in indoor fan delay function for increased efficiency
- 4TEE3F31B airflow selectable for 1-1/2 — 3 ton O.D. unit
- 4TEE3F37B, 39A, 40B airflow selectable for 2 — 3-1/2 ton O.D. unit
- 4TEE3F48A, 49B airflow selectable for 3 — 5 ton O.D. unit
- 4TEE3F64A, 65B airflow selectable for 3-1/2 — 5 ton O.D. unit
- Energy savings continuous fan
- Enhanced cooling/heating control
- **Five year limited parts warranty**
- **Optional extended warranties**





**2TEE3F31,37,39,40,48,
49,62,64,65A
4TEE3F31,37,40,49,62,65B
4TEE3F39,48,64A**

**Variable Speed
Air Handler
Accessories
& Heaters**

Accessories:

Model Number	Description	Used With	Mfg. Plant	Shipping Weight
Extended Warranties – (See Extended Warranty Section)				
BAYSPEK140B	Single Power Entry Kit	BAYHTR1415, 1419BRKB	VI	5
TAYPLNM100①	Pedestal Plenum Upflow	2/4TEE3F31,37,39,48,64	VI	10
TAYPLNM101	Pedestal Plenum Upflow	2/4TEE3F40,49,65	VI	10
TAYBASE100	Downflow Subbase	2/4TEE3F37,39,48,64	VI	16
TAYBASE102	Downflow Subbase	2/4TEE3F40,49,65	VI	16
BAY99X123	Knockout Cover Plate	2/4TEE3F31,37,39,40,48,49,64,65	TR	②
AY28X084	Evaporator Defrost Control Kit	All Heat Pump Models	TY	1
AY28X079	Evaporator Defrost Control Kit	All Cooling Models	TY	1

① 4TEE3F31A-center on plenum for 2" difference in width.
② Minimum Order 1 unit (1 unit = 50 pcs.)

Power Supply

Model Number	208/1/60		240/1/60		Mfg. Plant	Shipping Weight
	KW	BTUH	KW	BTUH		
BAYHTR1405000	3.60	12,300	4.80	16,400	VI	7
BAYHTR1405BRK	3.60	12,300	4.80	16,400	VI	9
BAYHTR1405PDC	3.60	12,300	4.80	16,400	VI	9
BAYHTR1408000	5.76	19,700	7.68	26,200	VI	8
BAYHTR1408BRK	5.76	19,700	7.68	26,200	VI	9
BAYHTR1408PDC	5.76	19,700	7.68	26,200	VI	9
BAYHTR1410000	7.20	24,600	9.60	32,800	VI	8
BAYHTR1410BRK	7.20	24,600	9.60	32,800	VI	9
BAYHTR1410PDC	7.20	24,600	9.60	32,800	VI	9
BAYHTR1415BRK	11.53	39,300	15.36	52,400	VI	11
BAYHTR1419BRK	14.42	49,200	19.20	65,500	VI	18
BAYHTR1425BRK	18.73	69,300	24.96	85,200	VI	18
	208/3/60		240/3/60			
BAYHTR3410000	7.20	24,600	9.60	32,800	VI	8
BAYHTR3415000	11.53	39,300	15.36	52,400	VI	10

000 = Pigtailed only, BRK = Contains Circuit Breakers, PDC = Contains Pull Disconnect

Minimum Air Flow - Heater Matrix for Convertible Air Handlers

MINIMUM AIRFLOW WITH AUXILIARY HEAT		HEATER MODEL NUMBER BAYHTR----					
		1405 4.80kw	1408 7.68kw	1410 3410 9.60kw	3415 15.36kw	1419 19.20kw	1425 24.96kw
NUMBER	APPLICATION						
NUMBER OF HEATER RACKS		1	2	2	3	4	5
2/4TEE3F31	A/C or Elec. Furnace	700	700	700	700	1000	N/A
	Heat Pump	1000	1000	1000	1125	1350	N/A
2/4TEE3F37	A/C or Elec. Furnace	600	600	600	1000	1000	N/A
	Heat Pump	700	900	900	1300	1350	N/A
2/4TEE3F39	A/C or Elec. Furnace	900	900	900	900	900	N/A
	Heat Pump	900	900	900	1400**	1400**	N/A
2/4TEE3F40	A/C or Elec. Furnace	600	600	600	1100	1100	1100
	Heat Pump	1100	1100	1100	1400	1400	1400
2/4TEE3F48	A/C or Elec. Furnace	800	800	800	800^	800^	800^^
	Heat Pump	800	800	800	800^	800^	800^^
2/4TEE3F49	A/C or Elec. Furnace	700	700	700	1400	1400	1400
	Heat Pump	1400	1400	1400	1600	1600	1600
2/4TEE3F64	A/C or Elec. Furnace	900	900	900	900@	900	900
	Heat Pump	900	900	900	900@	900	900
2/4TEE3F65	A/C or Elec. Furnace	900	900	900	1200	1200	1200
	Heat Pump	1500*	1500*	1500*	1800	1800	1800

*For upflow position only, minimum setting is 1200
** For horizontal right and downflow only, minimum setting is 1100CFM
^ 208V approved for upflow and horizontal right only
^^ Not qualified for downflow



2TFB3F18B, 24B, 30B, 36B
1-1/2 — 3 Ton

Air-Tite™
Air Handlers
Vertical Bottom
and Front Return
for R-22

Specifications: Vertical Brazed R-22 Air-Tite™

Model Number	Power Supply	Nominal Cap. (BTUH)	Clg. KW*	Heater Ref. Con.	TXV Type	Fan Speed	Uncrated Dimensions(in.)			Mfg. Plant	Shipping Weight
							H	W	D		
2TFB3F18B1D05A	200/230/1/60	18,000	5	BZ	Non-Bleed	2	37	22	19.4	VI	115
2TFB3F18B1D08A	200/230/1/60	18,000	8	BZ	Non-Bleed	2	37	22	19.4	VI	115
2TFB3F18B1D10A	200/230/1/60	18,000	10	BZ	Non-Bleed	2	37	22	19.4	VI	115
2TFB3F24B1D05A	200/230/1/60	24,000	5	BZ	Non-Bleed	2	39	22	19.4	VI	120
2TFB3F24B1D08A	200/230/1/60	24,000	8	BZ	Non-Bleed	2	39	22	19.4	VI	120
2TFB3F24B1D10A	200/230/1/60	24,000	10	BZ	Non-Bleed	2	39	22	19.4	VI	120
2TFB3F30B1D05A	200/230/1/60	30,000	5	BZ	Non-Bleed	2	39	22	19.4	VI	120
2TFB3F30B1D08A	200/230/1/60	30,000	8	BZ	Non-Bleed	2	39	22	19.4	VI	120
2TFB3F30B1D10A	200/230/1/60	30,000	10	BZ	Non-Bleed	2	39	22	19.4	VI	120
2TFB3F36B1D05A	200/230/1/60	36,000	5	BZ	Non-Bleed	2	39	22	19.4	VI	120
2TFB3F36B1D08A	200/230/1/60	36,000	8	BZ	Non-Bleed	2	39	22	19.4	VI	120
2TFB3F36B1D10A	200/230/1/60	36,000	10	BZ	Non-Bleed	2	39	22	19.4	VI	120

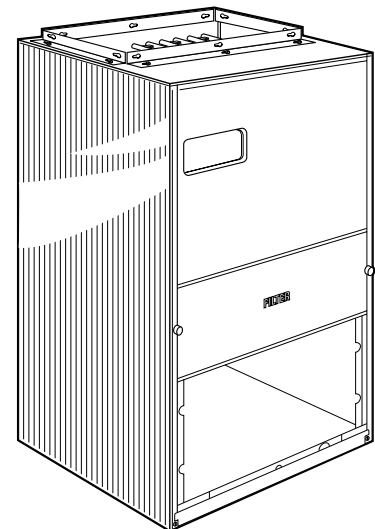
Accessories:

Model Number	Description	Used With	Mfg. Plant	Shipping Weight
Extended Warranties – (See Extended Warranty Section)				
AY28X079	Evaporator Defrost Control Kit	All Cooling Models	TY	1
AY28X084	Evaporator Defrost Control Kit	All Heat Pump Models	TY	1

* Heater KW is based on 240 volt rating.

Features:

- Shipped in vertical upflow, bottom return with front access & convertible to vertical upflow front return
- **Air-Tite™** cabinet - low leakage by design
- Attractive enamel finish
- R 4.2-1" insulation
- Exclusive easy clean coil and drain pan
- Easy to remove filters and blowers for easy cleaning and replacement
- Filter rack with throw away filter
- Easy access electrical controls and hook-up
- 200/230 volt primary and 24 volt secondary transformer
- Multi-speed blower
- Direct drive motor
- Factory installed electric heaters
- Factory installed Non-Bleed TXV with mechanical fitting
- Factory installed service disconnect
- Internally enhanced finned coil tubing
- Primary and secondary drain connections
- Approved for modular or manufactured homes
- Meets or exceeds Florida's 2% leakage criteria
- **Optional extended warranties**
- **Five year limited parts warranty**





2TFE3F25B
4TFE3F25B
2 Ton

**Variable Speed
Air-Tite™
Air Handlers
Vertical Bottom
and Front Return**

Specifications: Variable Speed R-22 Air-Tite™

Model Number	Power Supply	Nominal		Heater Ref. Con.	TXV Type	Fan Speed	Uncrated Dimensions(in.)			Mfg. Plant	Shipping Weight
		Cap. (BTUH)	Clg. KW*				H	W	D		
2TFE3F25B1D05A	200/230/1/60	25,000	5	BZ	Non-Bleed	Var	39	22	19.4	VI	120
2TFE3F25B1D08A	200/230/1/60	25,000	8	BZ	Non-Bleed	Var	39	22	19.4	VI	120
2TFE3F25B1D10A	200/230/1/60	25,000	10	BZ	Non-Bleed	Var	39	22	19.4	VI	120

Specifications: Variable Speed R-410A Air-Tite™

Model Number	Power Supply	Nominal		Heater Ref. Con.	TXV Type	Fan Speed	Uncrated Dimensions(in.)			Mfg. Plant	Shipping Weight
		Cap. (BTUH)	Clg. KW*				H	W	D		
4TFE3F25B1D05A	200/230/1/60	25,000	5	BZ	Non-Bleed	Var	39	22	19.4	VI	120
4TFE3F25B1D08A	200/230/1/60	25,000	8	BZ	Non-Bleed	Var	39	22	19.4	VI	120
4TFE3F25B1D10A	200/230/1/60	25,000	10	BZ	Non-Bleed	Var	39	22	19.4	VI	120

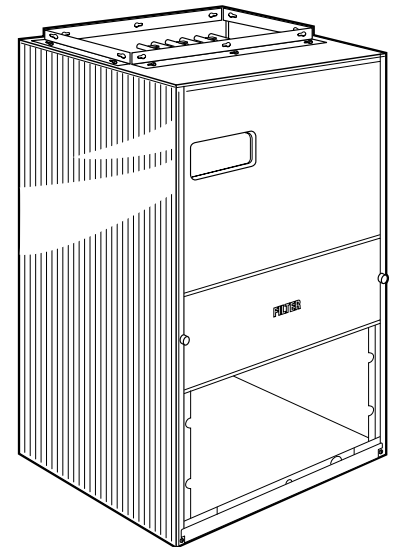
Accessories:

Model Number	Description	Used With	Mfg. Plant	Shipping Weight
Extended Warranties – (See Extended Warranty Section)				
AY28X079	Evaporator Defrost Control Kit	All Cooling Models	TY	1
AY28X084	Evaporator Defrost Control Kit	All Heat Pump Models	TY	1

* Heater KW is based on 240 volt rating.

Features:

- Shipped in vertical upflow, bottom return with front access & convertible to vertical upflow front return
- Variable speed ECM motor
- Enhanced **Comfort-R™**
- Soft start - cycle-on speed is ramped up gradually to reduce sound and draft
- Low voltage terminal board
- **Air-Tite™** cabinet- low leakage by design
- Attractive enamel finish
- R 4.2-1" insulation
- Exclusive easy clean coil and drain pan
- Easy to remove filters and blowers for easy cleaning and replacement
- Filter rack with throw away filter
- Easy access electrical controls and hook-up
- 200/230 volt primary and 24 volt secondary transformer
- Factory installed electric heaters
- Factory installed Non-Bleed TXV with mechanical fitting
- Factory installed service disconnect
- Internally enhanced finned coil tubing
- Primary and secondary drain connections
- Approved for modular or manufactured homes
- Meets or exceeds Florida's 2% leakage criteria
- **Optional extended warranties**
- **Five year limited parts warranty**





2TEH3F18 - 60B1000A 1-1/2 — 5 Ton

High Efficiency Air Handlers Convertible and Air-Tite™ for R-22

Specifications: Horizontal with vertical convertibility R-22 Air-Tite™

Model Number	Power Supply	Nominal			Uncrated			Mfg. Plant	Shipping Weight	
		Cap. Ctg. (BTUH)	Ref. Con.	TXV Type	Fan Speed	Dimensions (In.) H W D				
2TEH3F18B1000A	200/230/1/60	18,000	BZ	Non-Bleed	4	43	21.5	21	VI	114
2TEH3F24B1000A	200/230/1/60	24,000	BZ	Non-Bleed	4	43	21.5	21	VI	121
2TEH3F30B1000A	200/230/1/60	30,000	BZ	Non-Bleed	4	45	21.5	21	VI	121
2TEH3F36B1000A	200/230/1/60	36,000	BZ	Non-Bleed	4	45	21.5	21	VI	135
2TEH3F42B1000A	200/230/1/60	42,000	BZ	Non-Bleed	4	51.8	23.5	21	VI	165
2TEH3F48B1000A*	200/230/1/60	48,000	BZ	Non-Bleed	4	57.9	23.5	21	VI	188
2TEH3F60B1000A*	200/230/1/60	60,000	BZ	Non-Bleed	4	57.9	23.5	21	VI	193

* Two piece cabinet

Accessories:

Model Number	Description	Used With	Mfg. Plant	Shipping Weight
Extended Warranties (See Extended Warranty Section)				
BAYSPEK140B	Single Power Entry Kit	BAYHTR1315BRKB BAYHTR1319BRKB	VI	5
TAYPLNM100①	Pedestal Plenum Upflow	2TEH3F18-60B1000A	VI	10
TAYBASE101	Downflow Subbase	2TEH3F18-36B1000A	VI	12
TAYBASE100	Downflow Subbase	2TEH3F42-60B1000A	VI	16

① For TEH018,024,030, center on plenum for 2" difference in width.

Heaters:

Model Number	208/1/60		240/1/60		Mfg. Plant	Shipping Weight
	KW	BTUH	KW	BTUH		
BAYHTR1305000	3.60	12,300	4.80	16,400	VI	7
BAYHTR1305BRK	3.60	12,300	4.80	16,400	VI	9
BAYHTR1305PDC	3.60	12,300	4.80	16,400	VI	9
BAYHTR1308000	5.76	19,700	7.68	26,200	VI	8
BAYHTR1308BRK	5.76	19,700	7.68	26,200	VI	9
BAYHTR1308PDC	5.76	19,700	7.68	26,200	VI	9
BAYHTR1310000	7.20	24,600	9.60	32,800	VI	8
BAYHTR1310BRK	7.20	24,600	9.60	32,800	VI	9
BAYHTR1310PDC	7.20	24,600	9.60	32,800	VI	9
BAYHTR1315BRK	11.53	39,300	15.36	52,400	VI	11
BAYHTR1319BRK	14.42	49,200	19.20	65,500	VI	18
		208/3/60		240/3/60		
BAYHTR3310000	7.20	24,600	9.60	32,800	VI	8
BAYHTR3315000	11.53	39,300	15.36	52,400	VI	10

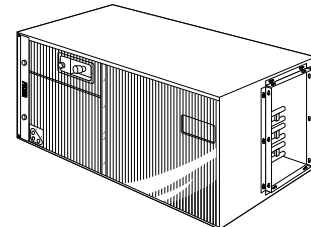
000 = Pigtailed only, BRK = Contains Circuit Breakers, PDC = Pull Disconnect

Features:

- 13.0 - 14.0 SEER capability
- High Efficiency direct drive motor
- Ships vertical - converts to horizontal by laying on side
- Six-way convertibility-horizontal (left & right); front & rear access; upflow, downflow
- Electrical knock-outs on either side
- Compact 21" depth for easy installation
- Corrosion resistant galvanized metal with attractive finish
- Superior condensate performance
- Enhanced internally finned coil tubes

- Versatile duct flange - allows flush fit 3/4", 1", or 1.5" duct insulation
- Filter panel stamped with word "filter"
- 200/230 volt primary & 24 volt secondary transformer
- Low voltage wire nut connections
- Insulated cabinet
- External access to heater circuit breakers
- Polarized plugs for making electrical connections from air handler control box to heaters
- Easy Air-Tite™ access to filter
- Factory installed non-bleed TXV with mechanical fitting

- Direct drive ECM motor
- Approved for modular or manufactured homes
- Meets or exceeds Florida's 2% leakage criteria
- **Five year limited parts warranty**
- **Optional extended warranties**





4TEH3F18 - 60B1000A 1-1/2 — 5 Ton

High Efficiency Air Handlers Convertible and Air-Tite™ for R-410A

Specifications: Horizontal with vertical convertibility R-410A Air-Tite™

Model Number	Power Supply	Nominal			Uncrated			Mfg. Plant	Shipping Weight	
		Cap. (BTUH)	Clg. Ref.	TXV Type	Fan Speed	Dimensions (In.) H	W			D
4TEH3F18B1000A	200/230/1/60	18,000	BZ	Non-Bleed	4	43	21.5	21	VI	114
4TEH3F24B1000A	200/230/1/60	24,000	BZ	Non-Bleed	4	43	21.5	21	VI	121
4TEH3F30B1000A	200/230/1/60	30,000	BZ	Non-Bleed	4	45	21.5	21	VI	121
4TEH3F36B1000A	200/230/1/60	36,000	BZ	Non-Bleed	4	45	21.5	21	VI	135
4TEH3F42B1000A	200/230/1/60	42,000	BZ	Non-Bleed	4	51.8	23.5	21	VI	165
4TEH3F48B1000A*	200/230/1/60	48,000	BZ	Non-Bleed	4	57.9	23.5	21	VI	188
4TEH3F60B1000A*	200/230/1/60	60,000	BZ	Non-Bleed	4	57.9	23.5	21	VI	193

* Two piece cabinet

Accessories:

Model Number	Description	Used With	Mfg. Plant	Shipping Weight
Extended Warranties (See Extended Warranty Section)				
BAYSPEK140B	Single Power Entry Kit	BAYHTR1315BRKB BAYHTR1319BRKB	VI	5
TAYPLNM100①	Pedestal Plenum Upflow	4TEH3F18-60B1000A	VI	10
TAYBASE101	Downflow Subbase	4TEH3F18-36B1000A	VI	12
TAYBASE100	Downflow Subbase	4TEH3F42-60B1000A	VI	16

① For TEH018,024,030, center on plenum for 2" difference in width.

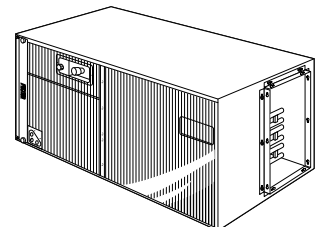
Heaters:

Model Number	208/1/60		240/1/60		Mfg. Plant	Shipping Weight
	KW	BTUH	KW	BTUH		
BAYHTR1305000	3.60	12,300	4.80	16,400	VI	7
BAYHTR1305BRK	3.60	12,300	4.80	16,400	VI	9
BAYHTR1305PDC	3.60	12,300	4.80	16,400	VI	9
BAYHTR1308000	5.76	19,700	7.68	26,200	VI	8
BAYHTR1308BRK	5.76	19,700	7.68	26,200	VI	9
BAYHTR1308PDC	5.76	19,700	7.68	26,200	VI	9
BAYHTR1310000	7.20	24,600	9.60	32,800	VI	8
BAYHTR1310BRK	7.20	24,600	9.60	32,800	VI	9
BAYHTR1310PDC	7.20	24,600	9.60	32,800	VI	9
BAYHTR1315BRK	11.53	39,300	15.36	52,400	VI	11
BAYHTR1319BRK	14.42	49,200	19.20	65,500	VI	18
		208/3/60		240/3/60		
BAYHTR3310000	7.20	24,600	9.60	32,800	VI	8
BAYHTR3315000	11.53	39,300	15.36	52,400	VI	10

000 = Pigtailed only, BRK = Contains Circuit Breakers, PDC = Pull Disconnect

Features:

- 13.0 - 14.0 SEER capability
- High Efficiency direct drive motor
- Ships vertical - converts to horizontal by laying on side
- Six- way convertibility-horizontal (left & right); front & rear access; upflow, downflow
- Electrical knock-outs on either side
- Compact 21" depth for easy installation
- Corrosion resistant galvanized metal with attractive finish
- Superior condensate performance
- Enhanced internally finned coil tubes
- Versatile duct flange - allows flush fit 3/4", 1", or 1.5" duct insulation
- Filter panel stamped with word "filter"
- 200/230 volt primary & 24 volt secondary transformer
- Low voltage wire nut connections
- Insulated cabinet
- External access to heater circuit breakers
- Polarized plugs for making electrical connections from air handler control box to heaters
- Easy Air-Tite™ access to filter
- Factory installed non-bleed TXV with mechanical fitting
- Direct drive ECM motor
- Approved for modular or manufactured homes
- Meets or exceeds Florida's 2% leakage criteria
- **Five year limited parts warranty**
- **Optional extended warranties**





2TEC3F18 - 60B1000A 1-1/2 — 5 Ton

Air Handlers Convertible and Air-Tite™ for R-22

Specifications: Horizontal with vertical convertibility R-22 Air-Tite™

Model Number	Power Supply	Nominal Cap. Clg. (BTUH)	Ref. Con.	TXV Type	Fan Speed	Uncrated Dimensions(In.)			Mfg. Plant	Shipping Weight
						H	W	D		
2TEC3F18B1000A	200/230/1/60	18,000	BZ	Non-Bleed	3	43	21.5	21	VI	114
2TEC3F24B1000A	200/230/1/60	24,000	BZ	Non-Bleed	3	43	21.5	21	VI	121
2TEC3F30B1000A	200/230/1/60	30,000	BZ	Non-Bleed	3	45	21.5	21	VI	121
2TEC3F36B1000A	200/230/1/60	36,000	BZ	Non-Bleed	3	45	21.5	21	VI	135
2TEC3F42B1000A	200/230/1/60	42,000	BZ	Non-Bleed	3	51.8	23.5	21	VI	165
2TEC3F48B1000A*	200/230/1/60	48,000	BZ	Non-Bleed	3	57.9	23.5	21	VI	188
2TEC3F55B1000A	200/230/1/60	58,000	BZ	Non-Bleed	3	57.9	26.0	21	VI	193
2TEC3F60B1000A*	200/230/1/60	60,000	BZ	Non-Bleed	4	57.9	23.5	21	VI	193

* Two piece cabinet

Accessories:

Model Number	Description	Used With	Mfg. Plant	Shipping Weight
Extended Warranties – (See Extended Warranty Section)				
BAYSPEK140B	Single Power Entry Kit	BAYHTR1415BRKB, BAYHTR1419BRKB	VI	5
TAYPLNM100①	Pedestal Plenum Upflow	2TEC3F18-60B1000A	VI	10
TAYBASE101	Downflow Subbase	2TEC3F18-36B1000A	VI	12
TAYBASE100	Downflow Subbase	2TEC3F42-60B1000A	VI	16
BAY99X123	Knockout Cover Plate	2TEC3F18-60B1000A	TR	*

① For TEC018,024,030, center on plenum for 2" difference in width.

* Minimum Order 1 unit (1 unit = 50 pcs.)

Heaters:

Model Number	Power Supply				Mfg. Plant	Shipping Weight
	208/1/60 KW	208/1/60 BTUH	240/1/60 KW	240/1/60 BTUH		
BAYHTR1405000	3.60	12,300	4.80	16,400	VI	7
BAYHTR1405BRK	3.60	12,300	4.80	16,400	VI	9
BAYHTR1405PDC	3.60	12,300	4.80	16,400	VI	9
BAYHTR1408000	5.76	19,700	7.68	26,200	VI	8
BAYHTR1408BRK	5.76	19,700	7.68	26,200	VI	9
BAYHTR1408PDC	5.76	19,700	7.68	26,200	VI	9
BAYHTR1410000	7.20	24,600	9.60	32,800	VI	8
BAYHTR1410BRK	7.20	24,600	9.60	32,800	VI	9
BAYHTR1410PDC	7.20	24,600	9.60	32,800	VI	9
BAYHTR1415BRK	11.53	39,300	15.36	52,400	VI	11
BAYHTR1419BRK	14.42	49,200	19.20	65,500	VI	18
BAYHTR1425BRK	18.73	63,900	24.96	85,200	VI	18
		208/3/60		240/3/60		
BAYHTR3410000	7.20	24,600	9.60	32,800	VI	8
BAYHTR3415000	11.53	39,300	15.36	52,400	VI	10

000 = Pigtailed only, BRK = Contains Circuit Breakers, PDC = Pull Disconnect

Features:

- 13.0 SEER
- Ships in a vertical position - convertible for left hand horizontal applications.
- Six- way convertibility-horizontal (left & right); front & rear access; upflow, downflow
- Compact 21" depth for easy installation
- Corrosion resistant galvanized metal with attractive finish
- Superior condensate performance
- Enhanced internally finned coil tubes

- Five ton model with direct drive ECM motor
- Versatile duct flange - allows flush fit 3/4", 1", or 1.5" duct insulation
- Filter panel stamped with word "filter"
- 200/230 volt primary & 24 volt secondary transformer
- Low voltage wire nut connections
- Insulated cabinet
- External access to heater circuit breakers
- Polarized plugs for making electrical connections from air handler control box to heaters

- Factory installed non-bleed TXV with mechanical fitting
- Easy Air-Tite™ access to filter
- Approved for modular or manufactured homes
- Meets or exceeds Florida's 2% leakage criteria
- **Five year limited parts warranty**
- **Optional extended warranties**



4TEC3F18 - 60B1000A 1-1/2 — 5 Ton

Air Handlers Convertible and Air-Tite™ for R-410A

Specifications: Horizontal with vertical convertibility R-410A Air-Tite™

Model Number	Power Supply	Nominal Cap. Clg. (BTUH)	Ref. Con.	TXV Type	Fan Speed	Uncrated Dimensions(In.)			Mfg. Plant	Shipping Weight
						H	W	D		
4TEC3F18B1000A	200/230/1/60	18,000	BZ	Non-Bleed	3	43	21.5	21	VI	114
4TEC3F24B1000A	200/230/1/60	24,000	BZ	Non-Bleed	3	43	21.5	21	VI	121
4TEC3F30B1000A	200/230/1/60	30,000	BZ	Non-Bleed	3	45	21.5	21	VI	121
4TEC3F36B1000A	200/230/1/60	36,000	BZ	Non-Bleed	3	45	21.5	21	VI	135
4TEC3F42B1000A	200/230/1/60	42,000	BZ	Non-Bleed	3	51.8	23.5	21	VI	165
4TEC3F48B1000A*	200/230/1/60	48,000	BZ	Non-Bleed	3	57.9	23.5	21	VI	188
4TEC3F55B1000A	200/230/1/60	58,000	BZ	Non-Bleed	3	57.9	26.0	21	VI	193
4TEC3F60B1000A*	200/230/1/60	60,000	BZ	Non-Bleed	4	57.9	23.5	21	VI	193

* Two piece cabinet

Accessories:

Model Number	Description	Used With	Mfg. Plant	Shipping Weight
Extended Warranties – (See Extended Warranty Section)				
BAYSPEK140B	Single Power Entry Kit	BAYHTR1415BRKB, BAYHTR1419BRKB	VI	5
TAYPLNM100①	Pedestal Plenum Upflow	4TEC3F18-60B1000A	VI	10
TAYBASE101	Downflow Subbase	4TEC3F18-36B1000A	VI	12
TAYBASE100	Downflow Subbase	4TEC3F42-60B1000A	VI	16
BAY99X123	Knockout Cover Plate	4TEC3F18-60B1000A	TR	*

① For TEC018,024,030, center on plenum for 2" difference in width.

* Minimum Order 1 unit (1 unit = 50 pcs.)

Heaters:

Model Number	Power Supply				Mfg. Plant	Shipping Weight
	208/1/60		240/1/60			
	KW	BTUH	KW	BTUH		
BAYHTR1405000	3.60	12,300	4.80	16,400	VI	7
BAYHTR1405BRK	3.60	12,300	4.80	16,400	VI	9
BAYHTR1405PDC	3.60	12,300	4.80	16,400	VI	9
BAYHTR1408000	5.76	19,700	7.68	26,200	VI	8
BAYHTR1408BRK	5.76	19,700	7.68	26,200	VI	9
BAYHTR1408PDC	5.76	19,700	7.68	26,200	VI	9
BAYHTR1410000	7.20	24,600	9.60	32,800	VI	8
BAYHTR1410BRK	7.20	24,600	9.60	32,800	VI	9
BAYHTR1410PDC	7.20	24,600	9.60	32,800	VI	9
BAYHTR1415BRK	11.53	39,300	15.36	52,400	VI	11
BAYHTR1419BRK	14.42	49,200	19.20	65,500	VI	18
BAYHTR1425BRK	18.73	63,900	24.96	85,200	VI	18
	208/3/60		240/3/60			
BAYHTR3410000	7.20	24,600	9.60	32,800	VI	8
BAYHTR3415000	11.53	39,300	15.36	52,400	VI	10

000 = Pigtailed only, BRK = Contains Circuit Breakers, PDC = Pull Disconnect

Features:

- 13.0 SEER
- Ships in a vertical position - convertible for left hand horizontal applications.
- Six- way convertibility-horizontal (left & right); front & rear access; upflow, downflow
- Compact 21" depth for easy installation
- Corrosion resistant galvanized metal with attractive finish
- Easy Air-Tite™ access to filter
- Superior condensate performance
- Enhanced internally finned coil tubes
- Five ton model with direct drive ECM motor
- Versatile duct flange - allows flush fit 3/4", 1", or 1.5" duct insulation
- Filter panel stamped with word "filter"
- 200/230 volt primary & 24 volt secondary transformer
- Low voltage wire nut connections
- Insulated cabinet
- External access to heater circuit breakers
- Polarized plugs for making electrical connections from air handler control box to heaters
- Factory installed non-bleed TXV with mechanical fitting
- Approved for modular or manufactured homes
- Meets or exceeds Florida's 2% leakage criteria
- **Five year limited parts warranty**
- **Optional extended warranties**



2TGB3F18 - 48 1-1/2 — 4 Ton

Air-Tite™ Air Handlers Vertical Upflow and Horizontal Left for R-22

Specifications: Vertical Upflow and Horizontal Left R-22 Air-Tite™

Model Number	Power Supply	Nominal Cap. Clg. Ref. (BTUH)	TXV Con. Type	Fan Speed	Uncrated Dimensions(in.)			Mfg. Plant	Shipping Weight
					H	W	D		
2TGB3F18A1000A	200/230/1/60	18,000	BZ Non-Bleed	3	45.7	18	21	VI	124
2TGB3F25A1000A	200/230/1/60	24,000	BZ Non-Bleed	3	45.7	18	21	VI	124
2TGB3F30A1000A	200/230/1/60	30,000	BZ Non-Bleed	3	52	18	21	VI	135
2TGB3F36A1000A	200/230/1/60	36,000	BZ Non-Bleed	3	52	18	21	VI	135
2TGB3F42A1000A	200/230/1/60	42,000	BZ Non-Bleed	3	48.3	23.5	21	VI	147
2TGB3F48A1000A	200/230/1/60	48,000	BZ Non-Bleed	3	57.3	23.5	21	VI	172

Accessories:

Model Number	Description	Used With	Mfg. Plant	Shipping Weight
Extended Warranties – (See Extended Warranty Section)				
BAYSPEK140B	Single Power Entry Kit	BAYHTR1415, 1419BRKB	VI	5

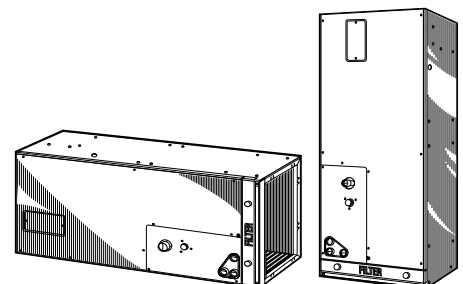
Heaters:

Model Number	Power Supply				Mfg. Plant	Shipping Weight
	208/1/60		240/1/60			
	KW	BTUH	KW	BTUH		
BAYHTR1405000	3.60	12,300	4.80	16,400	VI	7
BAYHTR1405BRK	3.60	12,300	4.80	16,400	VI	9
BAYHTR1405PDC	3.60	12,300	4.80	16,400	VI	9
BAYHTR1408000	5.76	19,700	7.68	26,200	VI	8
BAYHTR1408BRK	5.76	19,700	7.68	26,200	VI	9
BAYHTR1408PDC	5.76	19,700	7.68	26,200	VI	9
BAYHTR1410000	7.20	24,600	9.60	32,800	VI	8
BAYHTR1410BRK	7.20	24,600	9.60	32,800	VI	9
BAYHTR1410PDC	7.20	24,600	9.60	32,800	VI	9
BAYHTR1415BRK	11.53	39,300	15.36	52,400	VI	11
BAYHTR1419BRK	14.42	49,200	19.20	65,500	VI	18
	208/3/60		240/3/60			
BAYHTR3410000	7.20	24,600	9.60	32,800	VI	8
BAYHTR3415000	11.53	39,300	15.36	52,400	VI	10

000 = Pigtails only, BRK = Contains circuit breakers, PDC = C contains Pull Disconnect

Features:

- Exclusive easy to clean coil and drain pan
- Convertible upflow to horizontal left (no tools required) (matches installed units)
- Designed to use "off the shelf" standard size replaceable fiberglass filters - Industry Exclusive
- Easy to remove filters and blowers for easy cleaning and replacement
- Expanded application fit with narrow cabinet profile
- Easy access electrical controls and hook-up
- Attractive enamel finish
- R 4.2 - 1" insulation
- Versatile duct flange - allows flush fit with 3/4", 1" or 1.5" duct insulation
- Air-Tite™ cabinet - low leak by design
- IAQ (Indoor Air Quality) sloped/free draining pan (no standing water)
- Durable, glass-filled composite - Never rust, no leak drain pan
- Maximum depth 21" - fits pull-down staircase
- Exclusive maximum width 23.5" - fits 2-ft. wide door all sizes
- Full line 1 1/2 - 4 tons
- Direct drive motor
- Filter panel stamped with word "filter"
- Expansion valve (non-bleed TXV) with mechanical fitting standard on all models
- Polarized plugs for easy hook-up to electric heaters
- Meets or exceeds Florida's 2% leakage criteria
- 200/230 volt primary and 24 volt secondary transformer
- Electric heaters with breaker option on all sizes
- Approved for modular or manufactured homes
- **Five year limited parts warranty**
- **Optional extended warranties**



Specifications: Single Circuit

Model Number	Power Supply	Nom. Cap Cooling (BTUH)	TXV Type	Drive	Uncrated Dimensions (in.)			Mfg. Plant	Shipping Weight
					H	W	D		
TWE060A100E	208-230/1/60	60,000	Non-Bleed	Belt	48	39	23	SPR	298
TWE090A100E ^①	208-230/1/60	90,000	Non-Bleed	Belt	54	48	26	SPR	388
TWE120A100E ^①	208-230/1/60	120,000	Non-Bleed	Belt	54	64	26	SPR	439
TWE060A300E	208-230/3/60	60,000	Non-Bleed	Belt	48	39	23	SPR	298
TWE090A300E ^{①②}		90,000	Non-Bleed	Belt	54	48	26	SPR	388
TWE120A300E ^{①②}		120,000	Non-Bleed	Belt	54	64	26	SPR	439
TWE060A400E	460/3/60	60,000	Non-Bleed	Belt	48	39	23	SPR	298
TWE060AW00E	575/3/60	60,000	Non-Bleed	Belt	48	39	23	SPR	298
TWE090AW00E ^①	575/3/60	90,000	Non-Bleed	Belt	48	39	23	SPR	298
TWE120AW00E ^①	575/3/60	120,000	Non-Bleed	Belt	54	64	26	SPR	439

^① Control Transformer not included. Order Control Transformer accessory when matching these air handlers with 4-6 ton condensing units.

^② Ships connected for 208-230/3/60. Field convertible to 460/3/60.

Specifications: Dual Circuit

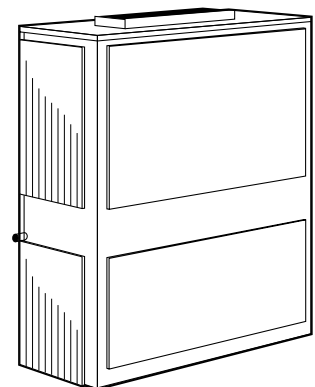
Model Number	Power Supply	Nom. Cap Cooling (BTUH)	TXV Type	Drive	Uncrated Dimensions (in.)			Mfg. Plant	Shipping Weight
					H	W	D		
TWE060B100E	208-230/1/60	60,000	Non-Bleed	Belt	48	39	23	SPR	298
TWE090B100E	208-230/1/60	90,000	Bleed	Belt	54	48	26	SPR	388
TWE120B100E	208-230/1/60	120,000	Non-Bleed	Belt	54	64	26	SPR	473
TWE060B300E	208-230/3/60	60,000	Non-Bleed	Belt	48	39	23	SPR	298
TWE090B300E ^{①②}		90,000	Bleed	Belt	54	48	26	SPR	388
TWE120B300E ^{①②}		120,000	Non-Bleed	Belt	54	64	26	SPR	473
TWE060B400E	460/3/60	60,000	Non-Bleed	Belt	48	39	23	SPR	298
TWE120BW00E ^①	575/3/60	120,000	Non-Bleed	Belt	54	64	26	SPR	439

^① Control Transformer not included. Order Control Transformer accessory when matching these air handlers with 4-6 ton condensing units.

^② Ships connected for 208-230/3/60. Field convertible to 460/3/60.

Features:

- Low voltage terminal board
- Expansion valve(s)
- Check valves for heat pump application
- Shipped upflow, convertible to horizontal
- Drain pan
- Fan relay
- Evaporator coil
- 1" Throwaway filters with provisions for field supplied 2" filters
- Adjustable belt drive motor
- Evaporator defrost control
- Refrigerant piping and/or electrical connections provided from either side
- UL listed and CSA certified
- **Optional extended warranties**





5 — 10 Ton TWE060 - 120A/B

Convertible Air Handler Accessories

Accessories:

Model Number	Description	Used With	Mfg. Plant	Shipping Weight
Extended Warranties – (See Extended Warranty Section)				
BAYWATR017D	Hot Water Coil Encl. & Assm. - 5 Ton	TWE060A, TWE060B	SPR	92
BAYWATR018D	Hot Water Coil Encl. & Assm. - 7-1/2 Ton	TWE090A, TWE090B	SPR	125
BAYWATR019D	Hot Water Coil Encl. & Assm. - 10 Ton	TWE120A, TWE120B	SPR	178
BAYWATR012A	Steam Coil Encl. & Assm. - 5 Ton	TWE060A, TWE060B	SPR	100
BAYWATR013A	Steam Coil Encl. & Assm. - 7-1/2 Ton	TWE090A, TWE090B	SPR	139
BAYWATR014A	Steam Coil Encl. & Assm. - 10 Ton	TWE120A, TWE120B	SPR	156
BAYPLNM020A ^①	Hydronic Coil Discharge Plenum & Grille	BAYWATR012A, 017C	SPR	71
BAYPLNM021A ^①	Hydronic Coil Discharge Plenum & Grille	BAYWATR013A, 018C	SPR	88
BAYPLNM022A ^①	Hydronic Coil Discharge Plenum & Grille	BAYWATR014A, 019C	SPR	110
BAYPLNM015A ^{①②}	Discharge Plenum & Grille	TWE060A, TWE060B	SPR	76
BAYPLNM016A ^{①②}	Discharge Plenum & Grille	TWE090A, TWE090B	SPR	93
BAYPLNM017A ^{①②}	Discharge Plenum & Grille	TWE120A, TWE120B	SPR	116
BAYPLNM025A ^③	Electric Heat Discharge Plenum & Grille - 5 Ton	BAYHTRL117A BAYHTRL315A BAYHTRL415A	SPR	72
BAYPLNM026A ^③	Electric Heat Discharge Plenum & Grille - 7-1/2 Ton	BAYHTRL117A,123A BAYHTRL315A,325A BAYHTRL415A,425A	SPR	85
BAYPLNM027A ^③	Electric Heat Discharge Plenum & Grille - 10 Ton	BAYHTRL117A,123A BAYHTRL315A,325A BAYHTRL415A,425A	SPR	98
BAYGRLE001A	Return Air Grille	TWE060A, TWE060B	SPR	5
BAYGRLE002A	Return Air Grille	TWE090A, TWE090B	SPR	7
BAYGRLE003A	Return Air Grille	TWE120A, TWE120B	SPR	10
BAYBASE001A ^④	Subbase	TWE060A, TWE060B	SPR	18
BAYBASE002A ^④	Subbase	TWE090A, TWE090B	SPR	24
BAYBASE003A ^④	Subbase	TWE120A, TWE120B	SPR	28
BAYHSMT022B	Oversized Motor 230/1/60 - 1 HP	TWE060A1, 060B1	SPR	35
BAYHSMT023B	Oversized Motor 230/1/60 - 2 HP	TWE090A1, TWE090B1	SPR	51
BAYHSMT025B	Oversized Motor 230-460/3/60 - 1 HP	TWE060A3,A4,B3,B4	SPR	32
BAYHSMT026A	Oversized Motor 230-460/3/60 - 2 HP	TWE090A3, TWE090B3	SPR	44
BAYHSMT027B	Oversized Motor 230-460/3/60 - 3 HP	TWE120A3, 120B3	SPR	50
BAYHSMT032B	Oversize Motor 575/3/60-1HP	TWE060AW	SPR	35
BAYHSMT033A	Oversize Motor 575/3/60-2HP	TWE090AW	SPR	51
BAYHSMT034A	Oversize Motor 575/3/60-3HP	TWE120AW	SPR	50

① For vertical use only.

② Discharge Plenum and Grille cannot be used with Electric or Hydronic Heat options.

③ See data catalog for minimum and maximum airflow requirements

④ When Air Handler is in vertical position and close proximity trapping of condensate is required, use of subbase is recommended.



5 — 10 Ton TWE060 - 120A/B

Convertible Air Handler Accessories

Accessories:

Model Number	Description	Used With	Mfg. Plant	Shipping Weight
Extended Warranties – (See Extended Warranty Section)				
BAYISLT003A ^{①②③}	Rubber-In-Shear Isolator - Floor	TWE060-090A, 060-090B	SPR	3
BAYISLT004A ^{①②③}	Rubber-In-Shear Isolator - Floor	TWE120A, TWE120B	SPR	3
BAYISLT013B ^{②③}	Rubber-In-Shear Isolator - Suspended	TWE060A, TWE060B	SPR	10
BAYISLT014A ^{②③}	Rubber-In-Shear - Suspended	TWE090A, TWE090B	SPR	7
BAYISLT015B ^{②③}	Rubber-In-Shear Isolator - Suspended	TWE120A, TWE120B	SPR	8
BAYISLT018A ^{①②}	Steel Spring Isolator - Floor	TWE060A, TWE060B	SPR	14
BAYISLT019A ^{①②}	Steel Spring Isolator - Floor	TWE090-120A, 090-120B	SPR	14
BAYISLT028A ^②	Steel Spring Isolator - Suspended	TWE060A, TWE060B	SPR	7
BAYISLT029A ^②	Steel Spring Isolator - Suspended	TWE090-120A, 090-120B	SPR	7
BAYTFMR003A ^{④⑤}	77va Transformer 230v/24v	TWE090-120A3, TWE090-120B3	SPR	4
BAYTFMR004A ^{④⑤⑥}	77va Transformer 460v/24v	TWE090-120A3, TWE090-120B3	SPR	4
BAYTFMR005A ^{④⑤}	77va Transformer 575/24v	TWE090AW, TWE120AW, BW	SPR	4
BAYTFMR007A ^{④⑦}	75va Transformer Relay and Terminal connections 230v/24v	TWE120B3	SPR	4
BAYTFMR008A ^{④⑥⑦}	87va Transformer Relay and Terminal connections 460v/24v	TWE120B3	SPR	4
BAYWRKT001A	Wire Kit to Achieve 180° Reversible Discharge	TWE060,090,120A TWE060,090,120B	SPR	2
BAYLSDR003A	Low Static Drive Kit	TWE090A, TWE090B	SPR	10
BAYDRKT001A	Condensate Drain Kit	TWE060	SPR	12
BAYDRKT002A	Condensate Drain Kit	TWE090	SPR	16
BAYDRKT003A	Condensate Drain Kit	TWE120	SPR	20

① Requires use of Subbase accessory.

② Do not use with units having steam or hot water coil.

③ Do not use if blower will operate at less than 600 RPM

④ Required when 7-1/2-10 ton air handlers are matched with 4-6 ton outdoor units.

⑤ Required when used with Qty. 2 Split System Condensing Units.

⑥ When field connected for 460v.

⑦ Required when used with Qty. 2 Split System Heat Pumps.



5 — 10 Ton TWE060 - 120A/B

Convertible Air Handlers Heaters

Heaters:

Model Number	Power Supply	KW Rating	Nominal BTUH	No. of Stages	Used With	Mfg. Plant	Shipping Weight
BAYHTRL106A	208/240/1/60	4.33/ 5.76	14,787/ 19,670	1	TWE060-120A1 TWE060-120B1	SPR	37
BAYHTRL112A	208/240/1/60	8.65/ 11.52	29,540/ 39,341	1	TWE060-120A1 TWE060-120B1	SPR	43
BAYHTRL117A	208/240/1/60	12.98/ 17.28	44,327/ 59,011	1	TWE060-120A1 TWE060-120B1	SPR	44
BAYHTRL123A	208/240/1/60	17.30/ 23.04	59,080/ 78,682	2	TWE060-120A1 TWE060-120B1	SPR	48
BAYHTRL129A	208/240/1/60	21.65/ 28.80	79,935/ 98,352	2	TWE090-120A1 TWE090-120B1	SPR	50
BAYHTRL305A	208/240/3/60	3.75/ 5.00	12,806/ 17,075	1	TWE060-120A3 TWE060-120B3	SPR	38
BAYHTRL310A	208/240/3/60	7.45/ 9.96	25,441/ 34,013	1	TWE060-120A3 TWE060-120B3	SPR	38
BAYHTRL315A	208/240/3/60	11.25/ 14.96	38,419/ 51,088	1	TWE060-120A3 TWE060-120B3	SPR	40
BAYHTRL325A	208/240/3/60	18.71/ 24.92	63,895/ 85,102	2	TWE060-120A3 TWE060-120B3	SPR	49
BAYHTRL335A	208/240/3/60	26.20/ 34.88	89,473/ 119,115	2	TWE090-120A3 TWE090-120B3	SPR	33
BAYHTRL405A	460/3/60	5.00	17,075	1	TWE060A4,B4 TWE090-120A3; ^① TWE090-120B3 ^②	SPR	39
BAYHTRL410A	460/3/60	9.96	34,013	1	TWE060A4,B4 TWE090-120A3; ^① TWE090-120B3 ^②	SPR	38
BAYHTRL415A	460/3/60	14.96	51,088	1	TWE060A4,B4 TWE090-120A3; ^① TWE090-120B3 ^②	SPR	41
BAYHTRL425A	460/3/60	24.92	85,102	2	TWE060A4,B4 TWE090-120A3; ^① TWE090-120B3 ^②	SPR	41
BAYHTRL435A	460/3/60	34.88	119,115	2	TWE090,120A3 ^② TWE090-120B3 ^②	SPR	50
BAYHTRLW05A	575/3/60	5.00	17,075	1	TWE060AW TWE090-120AW TWE090-120BW	SPR	39
BAYHTRLW10A	575/3/60	9.96	34,013	1	TWE060AW TWE090-120AW TWE090-120BW	SPR	38
BAYHTRLW15A	575/3/60	14.96	51,088	1	TWE060AW TWE090-120AW TWE090-120BW	SPR	41
BAYHTRLW25A	575/3/60	24.92	85,102	2	TWE060-120AW	SPR	41
BAYHTRLW35A	575/3/60	34.88	119,115	2	TWE090,120AW	SPR	50

^① Air Handler with heater of same voltage is single circuit single point.

^② Field converted to 460/3/60.

Specifications: Dual Circuit

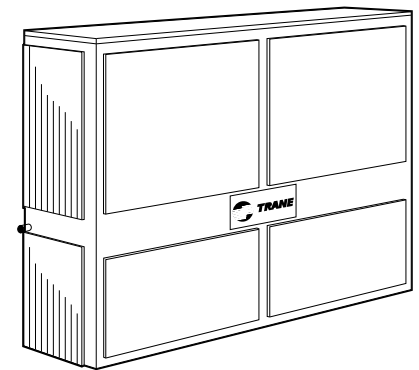
Model Number	Power Supply	Nom. Cap Cooling (BTUH)	TXV Type	Drive	Uncrated Dimensions (in.)			Mfg. Plant	Shipping Weight
					H	W	D		
TWE180B300E	208-230/3/60	180,000	Non-Bleed	Belt	69	80	28	SPR	754
TWE240B300E	208-230/3/60	240,000	Non-Bleed	Belt	72	93	30	SPR	886
TWE180B400E	460/3/60	180,000	Non-Bleed	Belt	69	80	28	SPR	754
TWE240B400E	460/3/60	240,000	Non-Bleed	Belt	72	93	30	SPR	886
TWE180BW00E	575/3/60	180,000	Non-Bleed	Belt	69	80	28	SPR	754
TWE240BW00E	575/3/60	240,000	Non-Bleed	Belt	72	93	30	SPR	886

Heaters:

Model Number	Power Supply	KW Rating	Nominal BTUH	No. Stages	Used With	Mfg. Plant	Shipping Weight
BAYHTRM310A	208/230/3/60	7.50/ 10.00	25,598/ 34,100	1	TWE180-240B3	SPR	79
BAYHTRM320A	208/230/3/60	14.96/ 19.92	51,058/ 67,987	1	TWE180-240B3	SPR	82
BAYHTRM330A	208/230/3/60	22.50/ 29.92	76,793/ 102,117	2	TWE180-240B3	SPR	86
BAYHTRM350A	208/230/3/60	37.42/ 49.84	127,714/ 170,104	2	TWE180-240B3	SPR	101
BAYHTRM410A	460/3/60	10.00	34,100	1	TWE180-240B4	SPR	79
BAYHTRM420A	460/3/60	19.92	67,987	1	TWE180-240B4	SPR	82
BAYHTRM430A	460/3/60	29.92	102,117	2	TWE180-240B4	SPR	86
BAYHTRM450A	460/3/60	49.84	170,104	2	TWE180-240B4	SPR	100
BAYHTRMW10A	575/3/60	10.00	34,100	1	TWE180-240BW	SPR	79
BAYHTRMW20A	575/3/60	19.92	67,987	1	TWE180-240BW	SPR	82
BAYHTRMW30A	575/3/60	29.92	102,117	2	TWE180-240BW	SPR	86
BAYHTRMW50A	575/3/60	49.84	170,104	2	TWE180-240BW	SPR	10

Features:

- Low voltage terminal board
- Expansion valve(s)
- Check valves for heat pump application
- Shipped upflow, convertible to horizontal
- Drain pan
- Fan relay
- Evaporator coil
- 2" throwaway filters
- Adjustable belt drive motor
- Evaporator defrost control
- Refrigerant piping and/or electrical connections provided from either side
- UL listed and CSA certified





It's Hard To Stop A Trane.®

15 — 20 Ton TWE240E

Convertible Air Handlers

Specifications: Single Circuit

Model Number	Power Supply	Nom. Cap Cooling (BTUH)	Refrig. Control	Uncrated Dimensions (in.)			Mfg. Plant	Shipping Weight
				H	W	D		
TWE240E300A	208/230-60-3	246,000	R410A-TXV	72	93	31	SPR	857
TWE240E400A	460/60/3	246,000	R410A-TXV	72	93	31	SPR	857
TWE240EW00A	575/60/3	246,000	R410A-TXV	72	93	31	SPR	857

Heaters:

Model Number	Power Supply	KW Rating	Nominal BTUH	No. Stages	Used With	Mfg. Plant	Shipping Weight
BAYHTRM310A	208/230/3/60	7.50/ 10.00	25,598/ 34,100	1	TWE180-240E3	FS/200	79
BAYHTRM320A	208/230/3/60	14.96/ 19.92	51,058/ 67,987	1	TWE180-240E3	FS/200	82
BAYHTRM330A	208/230/3/60	22.50/ 29.92	76,793/ 102,117	2	TWE180-240E3	FS/200	86
BAYHTRM350A	208/230/3/60	37.42/ 49.84	127,714/ 170,104	2	TWE180-240E3	FS/200	101
BAYHTRM410A	460/3/60	10.00	34,100	1	TWE180-240E4	FS/200	79
BAYHTRM420A	460/3/60	19.92	67,987	1	TWE180-240E4	FS/200	82
BAYHTRM430A	460/3/60	29.92	102,117	2	TWE180-240E4	FS/200	86
BAYHTRM450A	460/3/60	49.84	170,104	2	TWE180-240E4	FS/200	100
BAYHTRMW10A	575/3/60	10.00	34,100	1	TWE180-240EW	FS/200	79
BAYHTRMW20A	575/3/60	19.92	67,987	1	TWE180-240EW	FS/200	82
BAYHTRMW30A	575/3/60	29.92	102,117	2	TWE180-240EW	FS/200	86
BAYHTRMW50A	575/3/60	49.84	170,104	2	TWE180-240EW	FS/200	10

Features:

- Low voltage terminal board
- Expansion valve(s)
- Check valves for heat pump application
- Shipped upflow, convertible to horizontal
- Drain pan
- Fan relay
- Evaporator coil
- 2" throwaway filters
- Adjustable belt drive motor
- Evaporator defrost control
- Refrigerant piping and/or electrical connections provided from either side
- UL listed and CSA certified



15 — 20 Ton TWE180 - 240

Convertible Air Handler Accessories

Accessories:

Model Number	Description	Used With	Mfg. Plant	Shipping Weight
Extended Warranties – (See Extended Warranty Section)				
BAYWATR020D	Hot Water Coil — 15 Ton	TWE180B	SPR	282
BAYWATR021D	Hot Water Coil — 20 Ton	TWE240B,E	SPR	333
BAYWATR015A	Steam Coil — 15 Ton	TWE180B	SPR	304
BAYWATR016A	Steam Coil — 20 Ton	TWE240B,E	SPR	355
BAYPLNM018A ^{①④}	Discharge Plenum and Grille	TWE180B	SPR	202
BAYPLNM019A ^{①④}	Discharge Plenum and Grille	TWE240B,E	SPR	233
BAYPLNM028A ^⑤	Electric Heat Discharge Plenum & Grille - 15 Ton	BAYHTRM330A BAYHTRM430A	SPR	238
BAYPLNM029A ^⑤	Electric Heat Discharge Plenum & Grille - 20 Ton	BAYHTRM330A BAYHTRM430A	SPR	272
BAYGRLE004A	Return Air Grille	TWE180B	SPR	13
BAYGRLE005A	Return Air Grille	TWE240B,E	SPR	16
BAYBASE004A	Subbase	TWE180B	SPR	33
BAYBASE005A	Subbase	TWE240B,E	SPR	37
BAYHSMT028A	Oversized Motor 230/3/60 5 HP	TWE180B3	SPR	89
BAYHSMT029A	Oversized Motor 230-460/3/60 7.5 HP	TWE240B3,E3,B4,E4	SPR	97
BAYHSMT030A	Oversized Motor 460/3/60 5 HP	TWE180B4	SPR	89
BAYHSMT035AA	Oversized Motor 575/3/60 5 HP	TWE180BW	SPR	89
BAYHSMT036AA	Oversized Motor 575/3/60 7.5 HP	TWE240BW,EW	SPR	97
BAYISLT009A ^{②③}	Rubber-In-Shear Isolator - Floor Mount	TWE180-240B,E	SPR	3
BAYISLT012B ^②	Rubber-In-Shear Isolators - Suspended Mount	TWE180B	SPR	8
BAYISLT016B ^②	Rubber-In-Shear Isolators - Suspended Mount	TWE240B,E	SPR	10
BAYISLT021A ^{②③}	Steel Spring Isolators - Floor Mount	TWE180-240B,E	SPR	13
BAYISLT030A ^②	Steel Spring Isolators - Suspended Mount	TWE180B	SPR	7
BAYISLT031B ^②	Steel Spring Isolators - Suspended Mount	TWE240B,E	SPR	7
BAYLSDR001A	Low Static Drive Kit	TWE240B,E	SPR	10
BAYDRKT004A	Condensate Drain Kit	TWE180	SPR	29
BAYDRKT005A	Condensate Drain Kit	TWE240	SPR	41

① Discharge Plenum and Grille cannot be used with Electric Heat Option, but can be used with hydronic heat options or with no heat.

② Do not use when using steam or hot water coil option.

③ Requires use of subbase accessory.

④ For vertical use only.

⑤ See Data Catalog for minimum and maximum airflow requirements.

Gas Furnace Nomenclature

T U X 1 B 0 8 0 A 9 3 6 1 A A

Furnace Configuration
TU = Upflow / Horizontal
TD = Downflow / Horizontal

Type
D = 80% Premium
X = 90% Premium

Number of Heating Stages
1 = Single Stage
2 = Two Stage
3 = Three Stage

Cabinet Width
A = 14.5" Cabinet Width
B = 17.5" Cabinet Width
C = 21.0" Cabinet Width
D = 24.5" Cabinet Width

Heating Input
080 = 80,000 BTUH

Major Design Change
9 = 115 Volts / Natural Gas
F = 115 Volts / Natural Gas with Integrated ifD Filter

Airflow Capacity for Cooling
36 = 3 Ton Standard PSC Motor
H3 = 3 Ton High Efficiency Motor
V3 = 3 Ton Variable Speed Motor

Draft Inducer Speeds
1 = Single Speed
2 = Two Speed
V = Variable Speed

Minor Design Change

Service Digit - Not Orderable

Gas Furnace Nomenclature

T U Y 0 8 0 R 9 V 3 V 0

Furnace Configuration
TD = Downflow / Horizontal
TU = Upflow / Horizontal

Type
C = Condensing
D = Induced Draft
E = Electronic Ignition
X = Direct Vent Condensing
Y = Direct Vent Condensing Variable Speed

Heating Input MBTUH
080 = 80,000 BTUH

Major Design Change
C = Single Stage R = Two Stage
All other = Standard System

Power Supply & Fuel
115 volt
Natural Gas

Airflow Capacity for Cooling
Example: 36 = 3 Tons
400 CFM/Ton
400 x 3 Tons = 1200 CFM
V3 = 1 1/2 - 3 Tons, Variable Speed Motor
V4 = 2 - 4 Tons, Variable Speed Motor
V5 = 3 - 5 Tons, Variable Speed Motor

Minor Design Change
V = Variable Speed Inducer

Service Digit - Not Orderable



TUE1A040 — 140A
TDE1A060 — 120A
Upflow/Horizontal
Downflow/Horizontal

XB80
Gas Furnace
Single Stage

Specifications: Upflow/Horizontal Induced Draft

Model Number	Airflow In Tons (Nom.)	Nominal Cap-BTUH Htg Output	ICS* AFUE	Flue Size	Uncrated Dimensions (in.)			Mfg. Plant	Shipping Weight
					H	W	D		
TUE1A040A9241A	2	31,000	80.0	4"	40	14.5	28	TR	119
TUE1A060A9241A	2	47,000	80.0	4"	40	14.5	28	TR	124
TUE1A060A9361A	3	47,000	80.0	4"	40	14.5	28	TR	127
TUE1B060A9361A	3	47,000	80.0	4"	40	17.5	28	TR	132
TUE1B080A9361A	3	63,000	80.0	4"	40	17.5	28	TR	142
TUE1B080A9481A	4	64,000	80.0	4"	40	17.5	28	TR	142
TUE1B100A9361A	3	79,000	80.0	4"	40	17.5	28	TR	151
TUE1C100A9481A	4	79,000	80.0	4"	40	21.0	28	TR	162
TUE1C100A9601A	5	79,000	80.0	4"	40	21.0	28	TR	162
TUE1D120A9601A	5	96,000	80.0	4"	40	24.5	28	TR	186
TUE1D140A9601A	5	111,000	80.0	4"	40	24.5	28	TR	193

Specifications: Downflow/Horizontal Induced Draft

Model Number	Airflow In Tons (Nom.)	Nominal Cap-BTUH Htg Output	ICS* AFUE	Flue Size	Uncrated Dimensions (in.)			Mfg. Plant	Shipping Weight
					H	W	D		
TDE1A060A9361A	3	48,000	80.0	4"	40	14.5	28.0	TR	129
TDE1B060A9361A	3	48,000	80.0	4"	40	17.5	28.0	TR	134
TDE1B080A9451A	4	64,000	80.0	4"	40	17.5	28.0	TR	146
TDE1B100A9451A	4	80,000	80.0	4"	40	17.5	28.0	TR	156
TDE1C100A9601A	5	81,000	80.0	4"	40	21.0	28.0	TR	167
TDE1D120A9601A	5	96,000	80.0	4"	40	24.5	28.0	TR	189

*Isolated Combustion System

Accessories:

Model Number	Description	Used With	Mfg. Plant	Shipping Weight
Extended Warranties – (See Extended Warranty Section)				
TCONT200AN11AA	Electronic, 1Htg/1Clg (Non Prog.)	All Cooling/(Gas or Elec)	TY	1
BAYLPKT210B	Propane Conversion Kit	All TUE1/TDE1 Furnaces	TR	1
BAYLPSS210B①	Propane Conversion Kit	All TUE1/TDE1 Furnaces	TR	1
BAYFLTR206	Filter Access Door Kit	All TDE1 Furnaces	TR	2
BAYRACK960A②	Filter Rack Kit	All TUE1		
BAYFLTR317	Filter Accessory Kit	Upflow 14.5" & 17.5" Furnaces	TR	2
BAYFLTR321	Cleanable Filter	Upflow 21" Furnaces	TR	2
BAYFLTR324	Cleanable Filter	Upflow 24.5" Furnaces	TR	2
BAYBASE205	Downflow Subbase	All TDE1 Furnaces	TR	8
BAYHALT248	High Alt. Pressure Switch Kit	All TUE1/TDE1 Furnaces	TR	2

① With stainless steel burners.

② Internal filter rack for side or bottom return air. Includes 17.5" cleanable filter.

Features:

- Upflow/Horizontal & Downflow/ Horizontal
- Power supply 115/1/60
- Multi-port In-shot burners
- Silicon Carbide hot surface igniter with adaptive heat up
- Heavy gauge, wrap-around steel cabinet
- Complete front service access
- Heavy gauge aluminized steel heat exchanger
- Alternate bottom/left/right return air
- Slide out blower assembly
- Direct drive, 4-speed motors
- Blower door safety switch
- Optional L.P. conversion kit
- Common vent capability
- Selectable cooling fan off delay option eliminates need for BAY24X045 time delay relay
- Inner blower door panel on downflow models
- 3-way vent option on downflow models (top, right, or left)
- **Non-prorated 20-year heat exchanger limited warranty (Residential use)**
- **Optional extended warranties**
- **5 Year limited parts warranty**



TUD1A040 — D140A Upflow/Horizontal

XR 80 Gas Furnace Single Stage

Specifications: Upflow/Horizontal Induced Draft

Model Number	Airflow In Tons (Nom.)	Nominal Cap-BTUH Htg Output	ICS* AFUE	Flue Size	Uncratered Dimensions (in.)			Mfg. Plant	Shipping Weight
					H	W	D		
TUD1A040A9241A	2	32,000	80.0	4"	40	14.5	28	TR	119
TUD1A040A9301A	2.5	32,000	80.0	4"	40	14.5	28	TR	122
TUD1A060A9241A	2	47,000	80.0	4"	40	14.5	28	TR	124
TUD1A060A9361A	3	47,000	80.0	4"	40	14.5	28	TR	127
TUD1B060A9361A	3	47,000	80.0	4"	40	17.5	28	TR	132
TUD1B080A9241A	2	64,000	80.0	4"	40	17.5	28	TR	139
TUD1B080A9361A	3	63,000	80.0	4"	40	17.5	28	TR	142
TUD1B080A9481A	4	64,000	80.0	4"	40	17.5	28	TR	142
TUD1C080A9601A	5	64,000	80.0	4"	40	21.0	28	TR	154
TUD1B100A9361A	3	79,000	80.0	4"	40	17.5	28	TR	151
TUD1B100A9451A	4	80,000	80.0	4"	40	17.5	28	TR	153
TUD1C100A9481A	4	79,000	80.0	4"	40	21.0	28	TR	162
TUD1C100A9601A	5	79,000	80.0	4"	40	21.0	28	TR	162
TUD1D100A9721A	6	80,000	80.0	4"	40	24.5	28	TR	175
TUD1C120A9541A	5	96,000	80.0	4"	40	21.0	28	TR	176
TUD1D120A9601A	5	96,000	80.0	4"	40	24.5	28	TR	186
TUD1D140A9601A	5	111,000	80.0	4"	40	24.5	28	TR	193

*Isolated Combustion System

Accessories:

Model Number	Description	Used With	Mfg. Plant	Shipping Weight
Extended Warranties (See Extended Warranty Section)				
Controls (See Control Section)				
BAYLPKT210B	Propane Conversion Kit	All XR 80 Furnaces	TR	1
BAYLPSS210B ^①	Propane Conversion Kit	All XR 80 Furnaces	TR	1
BAYHALT248	High Altitude Pressure Switch Kit	TUD1 Furnaces	TR	2
BAYVENT800B	Masonry Chimney Vent Kit	All TUD1A060,080,100,120,140	TR	2
BAYRACK960A ^②	Filter Rack Kit-Internal	All TUD1 Furnaces	TR	5
BAYFLTR200	Side Filter Rack Kit-External	All TUD1 Furnaces	TR	5
BAYFLTR317	Cleanable filter	14.5"/17.5" Upflow models	TR	2
BAYFLTR321	Cleanable filter	21" Upflow models	TR	2
BAYFLTR324	Cleanable filter	24.5" Upflow models	TR	2

^① With stainless steel burners.

^② Internal filter rack for side or bottom return air. Includes 17.5" cleanable filter

Features:

- Power supply 115/1/60
- Multi-port In-shot burners
- Integrated solid state control with self-diagnostics
- Silicon Nitride hot surface igniter with adaptive heat up
- Heavy gauge, wrap-around steel cabinet
- Complete front service access
- Heavy gauge aluminized steel heat exchanger
- Alternate bottom/left/right return air
- Slide out blower assembly
- Direct drive, 4-speed motors
- Blower door safety switch
- Single wire twinning
- Hinged blower door
- Perfect fit door latches
- Insulated blower door
- Gasketed blower door
- Two tone color
- Quiet slow opening gas valve
- Optional L.P. conversion kit
- Common vent capability
- Selectable cooling fan off delay eliminates need for BAY24X045 time delay relay
- Insulated blower compartment
- Accessory hook-up capability
- Left/right gas connection
- 24 volt fuse
- Manual reset flame roll out switches
- **Non-prorated 20-year heat exchanger limited warranty (Residential use)**
- **Optional extended warranties**
- **5 year limited parts warranty**



TDD1A040 — D140A Downflow/Horizontal

XR 80 Gas Furnace Single Stage

Specifications: Downflow/Horizontal Induced Draft

Model Number	Airflow In Tons (Nom.)	Nominal Cap-BTUH Htg Output	ICS* AFUE	Flue Size	Uncrated Dimensions (in.)			Mfg. Plant	Shipping Weight
					H	W	D		
TDD1A040A9241A	2	31,000	78.0	4"	40	14.5	28	TR	119
TDD1A060A9241A	2	48,000	80.0	4"	40	14.5	28	TR	129
TDD1A060A9361A	3	48,000	80.0	4"	40	14.5	28	TR	129
TDD1B060A9361A	3	48,000	80.0	4"	40	17.5	28	TR	134
TDD1B080A9361A	3	64,000	80.0	4"	40	17.5	28	TR	146
TDD1B080A9451A	4	64,000	80.0	4"	40	17.5	28	TR	146
TDD1B100A9451A	4	80,000	80.0	4"	40	17.5	28	TR	156
TDD1C100A9481A	4	80,000	80.0	4"	40	21.0	28	TR	166
TDD1C100A9541A	5	81,000	80.0	4"	40	21.0	28	TR	167
TDD1C120A9541A	5	96,000	80.0	4"	40	21.0	28	TR	177
TDD1D120A9601A	5	96,000	80.0	4"	40	24.5	28	TR	189
TDD1D140A9601A	5	113,000	80.0	4"	40	24.5	28	TR	196

*Isolated Combustion System

Accessories:

Model Number	Description	Used With	Mfg. Plant	Shipping Weight
Extended Warranties (See Extended Warranty Section)				
Controls (See Control Section)				
BAYLPKT210B	Propane Conversion Kit	All XR 80 Furnaces	TR	1
BAYLPSS210B ^①	Propane Conversion Kit	All XR 80 Furnaces	TR	1
BAYFLTR206	Filter Access Door Kit	All TDD1 Furnaces	TR	2
BAYBASE205	Downflow Subbase	All TDD1 Furnaces	TR	8
BAYHALT248	High Altitude Pressure Switch Kit	All TDD1 Furnaces	TR	2
BAYFLTR206	Filter Access Door Kit	All TDD1 Furnaces	TR	2

^① With stainless steel burners.

Features:

- Power supply 115/1/60
- Multi-port In-shot burners
- Integrated solid state control with self-diagnostics
- Silicon Nitride hot surface igniter with adaptive heat up
- Heavy gauge, wrap-around steel cabinet
- Complete front service access
- Heavy gauge aluminized steel heat exchanger
- Slide out blower assembly
- Direct drive, 4-speed motors
- Blower door safety switch
- Optional L.P. conversion kit
- Common vent
- Selectable cooling fan off delay eliminates need for BAY24X045 time delay relay
- Quiet slow opening gas valve
- Single wire twinning
- Insulated blower door
- Insulated blower compartment
- Accessory hook-up capability
- Right and left hand side knockout for venting
- 24 volt fuse
- Manual reset flame roll out switches
- Two tone color
- **Non-prorated 20-year heat exchanger limited warranty (Residential use)**
- **Optional extended warranties**
- **5 year limited parts warranty**



TUD1 - H Upflow/Horizontal

XT 80 Gas Furnace Single Stage High Efficiency Motor

Specifications: Upflow/Horizontal Induced Draft

Model Number	Airflow In Tons (Nom.)	Nominal Cap-BTUH Htg Output	ICS* AFUE	Flue Size	Uncrated Dimensions (in.)			Mfg. Plant	Shipping Weight
					H	W	D		
TUD1A040A9H21B	2	32,000	80.0	4"	40	14.5	28	TR	119
TUD1B060A9H31B	3	47,000	80.0	4"	40	17.5	28	TR	127
TUD1B080A9H31B	3	63,000	80.0	4"	40	17.5	28	TR	142
TUD1C080A9H41B	4	64,000	80.0	4"	40	21.0	28	TR	142
TUD1B100A9H31B	3	79,000	80.0	4"	40	17.5	28	TR	151
TUD1C100A9H51B	5	79,000	80.0	4"	40	21.0	28	TR	162
TUD1D120A9H51B	5	96,000	80.0	4"	40	24.5	28	TR	186
TUD1D140A9H51B	5	111,000	80.0	4"	40	24.5	28	TR	193

*Isolated Combustion System

Accessories:

Model Number	Description	Used With	Mfg. Plant	Shipping Weight
Extended Warranties (1 yr - 5 yr - 10 yr - 15 yr – See Extended Warranty Section)				
Controls (See Control Section)				
BAYLPKT210B	Propane Conversion Kit	All XT 80 Furnaces	TR	1
BAYLPSS210B ^①	Propane Conversion Kit	All XT 80 Furnaces	TR	1
BAYHALT248	High Altitude Pressure Switch Kit	TUD1 Furnaces	TR	2
BAYVENT800B	Masonry Chimney Vent Kit	All TUD1A060,080,100,120,140	TR	2
BAYRACK960A ^②	Filter Rack Kit - Internal	All TUD1 Furnaces	TR	5
BAYFLTR317	Cleanable filter	14.5"/17.5" Upflow models	TR	2
BAYFLTR321	Cleanable filter	21" Upflow models	TR	2
BAYFLTR324	Cleanable filter	24.5" Upflow models	TR	2

^① With stainless steel burners.

^② Internal filter rack for side or bottom return air. Includes 17.5" cleanable filter

Features:

- High efficiency direct drive, 4-speed motor
- Power supply 115/1/60
- Multi-port In-shot burners
- Integrated solid state control with self-diagnostics
- Silicon Nitride hot surface igniter with adaptive heat up
- Heavy gauge, wrap-around steel cabinet
- Complete front service access
- Heavy gauge aluminized steel heat exchanger
- Alternate bottom/left/right return air
- Slide out blower assembly
- Blower door safety switch
- Single wire twinning
- Hinged blower door
- Perfect fit door latches
- Insulated blower door
- Gasketed blower door
- Internal filter rack
- Standard filter sizes
- Cleanable high velocity filters
- Two tone color
- Quiet slow opening gas valve
- Optional L.P. conversion kit
- Common vent capability
- Selectable cooling fan off delay eliminates need for BAY24X045 time delay relay
- Insulated blower compartment
- Accessory hook-up capability
- Left/right gas connection
- 24 volt fuse
- Manual reset flame roll out switches
- **Non-prorated 20-year heat exchanger limited warranty (Residential use)**
- **Optional extended warranties**
- **5 year limited parts warranty**



TDD1 - H Downflow/Horizontal

XT 80 Gas Furnace Single Stage High Efficiency Motor

Specifications: Downflow/Horizontal Induced Draft

Model Number	Airflow In Tons (Nom.)	Nominal Cap-BTUH Htg Output	ICS* AFUE	Flue Size	Uncrated Dimensions (in.)			Mfg. Plant	Shipping Weight
					H	W	D		
TDD1B060A9H31B	3	48,000	80.0	4"	40	17.5	28	TR	12
TDD1B080A9H31B	3	64,000	80.0	4"	40	17.5	28	TR	146
TDD1C100A9H51B	5	81,000	80.0	4"	40	21.0	28	TR	167
TDD1D120A9H51B	5	96,000	80.0	4"	40	24.5	28	TR	189

*Isolated Combustion System

Accessories:

Model Number	Description	Used With	Mfg. Plant	Shipping Weight
Extended Warranties (See Extended Warranty Section)				
Controls (See Control Section)				
BAYLPKT210B	Propane Conversion Kit	All XT 80 Furnaces	TR	1
BAYLPSS210B ^①	Propane Conversion Kit	All XT 80 Furnaces	TR	1
BAYFLTR206	Filter Access Door Kit	All TDD1 Furnaces	TR	2
BAYBASE205	Downflow Subbase	All TDD1 Furnaces	TR	8
BAYHALT248	High Altitude Pressure Switch Kit	All TDD1 Furnaces	TR	2
BAYFLTR206	Filter Access Door Kit	All TDD1 Furnaces	TR	2

^① With stainless steel burners.

Features:

- Power supply 115/1/60
- Multi-port In-shot burners
- Integrated solid state control with self-diagnostics
- Silicon Nitride hot surface igniter with adaptive heat up
- Heavy gauge, wrap-around steel cabinet
- Complete front service access
- Heavy gauge aluminized steel heat exchanger
- Slide out blower assembly
- High efficiency direct drive 4 speed motor
- Cleanable high velocity filters
- Blower door safety switch
- Optional L.P. conversion kit
- Common vent
- Selectable cooling fan off delay eliminates need for BAY24X045 time delay relay
- Quiet slow opening gas valve
- Single wire twinning
- Insulated blower door
- Insulated blower compartment
- Accessory hook-up capability
- Right and left hand side knockout for venting
- 24 volt fuse
- Manual reset flame roll out switches
- Two tone color
- **Non-prorated 20-year heat exchanger limited warranty (Residential use)**
- **Optional extended warranties**
- **5 year limited parts warranty**



TUD2A040 — D140A
Induced Draft
Upflow/Horizontal

XL 80
Gas Furnace
Two-Stage

Specifications: Upflow/Horizontal Induced Draft

Model Number	Airflow In Tons (Nom.)	Capacity(000) Output-BTUH		ICS* AFUE	Flue Size	Uncrated Dimensions (in.)			Mfg. Plant	Shipping Weight
		Stg 2	Stg 1			H	W	D		
TUD2A040A9242A	2	32.0	20.8	80.0	4"	40	14.5	28	TR	119
TUD2A060A9362A	3	47.0	31.2	80.0	4"	40	14.5	28	TR	127
TUD2B060A9362A	3	47.0	31.2	80.0	4"	40	17.5	28	TR	132
TUD2B080A9362A	3	63.0	41.6	80.0	4"	40	17.5	28	TR	142
TUD2B080A9482A	4	63.0	41.6	80.0	4"	40	17.5	28	TR	142
TUD2B100A9362A	3	79.0	52.0	80.0	4"	40	17.5	28	TR	151
TUD2C100A9482A	4	79.0	52.0	80.0	4"	40	21.0	28	TR	162
TUD2C100A9602A	5	80.0	52.0	80.0	4"	40	21.0	28	TR	162
TUD2D100A9602A	5	80.0	52.0	80.0	4"	40	24.5	28	TR	175
TUD2C120A9542A	5	95.0	62.4	80.0	4"	40	21.0	28	TR	176
TUD2D120A9602A	5	95.0	62.4	80.0	4"	40	24.5	28	TR	186
TUD2D140A9602A	5	112.0	72.8	80.0	4"	40	24.5	28	TR	192

* Isolated Combustion System.

Accessories:

Model Number	Description	Used With	Mfg. Plant	Shipping Weight
Extended Warranties (See Extended Warranty Section)				
Controls (See Control Section)				
BAYLPKT210B	Propane Conversion Kit	All XL 80 Furnaces	TR	1
BAYLPSS210B ^②	Propane Conversion Kit	All XL 80 Furnaces	TR	1
BAYHALT249	High Altitude Pressure Switch Kit	All TUD2 (& later) Furnaces	TR	2
BAYVENT800B	Masonry Chimney Vent Kit	All TUD2 Models	TR	2
BAYFLTR200	Side Filter Rack Kit-External	All TUD2 (& later) Furnaces	TR	5
BAYFLTR317	Cleanable Filter	14.5"/17.5" Upflow Models	TR	2
BAYFLTR321	Cleanable Filter	21" Upflow Models	TR	2
BAYFLTR324	Cleanable Filter	24.5" Upflow Models	TR	2
BAYRACK960A ^①	Filter Rack Kit	All TUD2 (& later) Furnaces	TR	5

① Available for models with 1800 CFM or greater which require an additional side return. Includes 17" cleanable filter.

② With stainless steel burners.

Features:

- Upflow/Horizontal
- Power supply 115/1/60
- 2-stage gas valve
- 2-speed venter
- 2 heating blower speeds
- Silicon Nitride hot surface igniter with adaptive heat up
- Integrated solid state control with self-diagnostics
- Single wire twinning
- Attractive color accents
- Hinged blower door
- Perfect fit door latches
- Insulated blower door
- Gasketed blower door
- Two tone color
- Heavy gauge aluminized steel heat exchanger
- Multi-port In-shot burners
- Complete front service access
- Alternate bottom/left/right return air
- Slide out blower assembly
- Direct drive, 4-speed motors
- Common vent capability
- Optional L.P conversion kit
- Left/right gas connection
- Accessory hook-up capability
- Selectable cooling fan off eliminates need for BAY24X045 time delay relay
- 24 volt fuse
- Manual reset flame roll out switches
- **Non-prorated 20-year heat exchanger limited warranty (Residential use)**
- **Optional extended warranties**
- **5 year limited parts warranty**



TDD2A040 — D140A Downflow/Horizontal

XL 80 Gas Furnace Two-Stage

Specifications: Downflow/Horizontal Induced Draft

Model Number	Airflow In Tons (Nom.)	Capacity(000) Output-BTUH		ICS* AFUE	Flue Size	Uncrated Dimensions (in.)			Mfg. Plant	Shipping Weight
		Stg 2	Stg 1			H	W	D		
TDD2A040A9242A	2	32.0	20.8	80.0	4"	40	14.5	28	TR	125
TDD2A060A9362A	3	47.0	31.2	80.0	4"	40	14.5	28	TR	135
TDD2B060A9362A	3	48.0	31.2	80.0	4"	40	17.5	28	TR	140
TDD2B080A9362A	3	64.0	41.6	80.0	4"	40	17.5	28	TR	152
TDD2B100A9452A	4	79.0	52.0	80.0	4"	40	17.5	28	TR	157
TDD2C100A9482A	4	79.0	52.0	80.0	4"	40	21.0	28	TR	166
TDD2C100A9602A	5	79.0	52.0	80.0	4"	40	21.0	28	TR	168
TDD2D120A9602A	5	94.0	62.4	80.0	4"	40	24.5	28	TR	189
TDD2D140A9602A	5	112.0	72.8	80.0	4"	40	24.5	28	TR	196

*Isolated Combustion System

Accessories:

Model Number	Description	Used With	Mfg. Plant	Shipping Weight
Extended Warranties (See Extended Warranty Section)				
Controls (See Control Section)				
BAYLPKT210B	Propane Conversion Kit	All XL 80 Furnaces	TR	1
BAYLPSS210B ^①	Propane Conversion Kit	All XL 80 Furnaces	TR	1
BAYFLTR206	Filter Access Door Kit	All TDD2 Furnaces	TR	2
BAYFLTR317	Cleanable Filter	14.5"/17.5" Upflow Models	TR	2
BAYFLTR321	Cleanable Filter	21" Upflow Models	TR	2
BAYFLTR324	Cleanable Filter	24.5" Upflow Models	TR	2
BAYBASE205	Downflow Subbase	All XL 80 Furnaces	TR	8
BAYHALT239	High Alt. Pressure Switch Kit	All TDD2 Furnaces	TR	2

^① With stainless steel burners.

Features:

- Power supply 115/1/60
- 2-stage gas valve
- 2-speed venter
- Heavy gauge aluminized steel heat exchanger
- Multi-port In-shot burners
- Complete front service access
- Alternate bottom/left/right return air
- Slide out blower assembly
- Direct drive, 4-speed motors
- Optional L.P conversion kit
- Left/right gas connection
- Silicon Nitride hot surface igniter with adaptive heat up
- Common vent capability
- Single wire twinning
- Accessory hook-up capability
- Convertible to horizontal
- Inner blower door panel
- Integrated solid state control with self-diagnostics
- Selectable cooling fan off delay eliminates need for BAY24X045 time delay relay
- Insulated blower door
- Right-hand side knockout for venting
- 24 volt fuse
- Manual reset flame roll out switches
- **Non-prorated 20-year heat exchanger limited warranty (Residential use)**
- **Optional extended warranties**
- **1 year limited warranty on parts**



TUD060 — 140
TDD060 — 120

XV 80 Variable Speed Gas Furnace Two-Stage

Specifications: Upflow/Horizontal Induced Draft

Model Number	Airflow In Tons (Nom.)	Capacity (000) Output-BTUH		ICS* AFUE	Flue Size	Uncrated Dimensions (in.)			Mfg. Plant	Shipping Weight
		Stg 2	Stg 1			H	W	D		
TUD060R9V3K	3	48.0	31.2	80.0	4"	40	17.5	28	TR	136
TUD080R9V3K	3	64.0	41.6	80.0	4"	40	17.5	28	TR	142
TUD080R9V4K	4	64.0	41.6	80.0	4"	40	21.0	28	TR	166
TUD100R9V3K	3	80.0	52.0	80.0	4"	40	17.5	28	TR	142
TUD100R9V5K	5	79.0	52.0	80.0	4"	40	21.0	28	TR	166
TUD120R9V5K	5	97.0	62.4	80.0	4"	40	24.5	28	TR	193
TUD140R9V5K	5	111.0	72.8	80.0	4"	40	24.5	28	TR	197

Specifications: Downflow/Horizontal Induced Draft

Model Number	Airflow In Tons (Nom.)	Capacity (000) Output-BTUH		ICS* AFUE	Flue Size	Uncrated Dimensions (in.)			Mfg. Plant	Shipping Weight
		Stg 2	Stg 1			H	W	D		
TDD060R9V3F	3	48.0	31.2	80.0	4"	40	17.5	28	TR	140
TDD080R9V3F	3	63.0	41.6	80.0	4"	40	17.5	28	TR	146
TDD100R9V5F	5	81.0	52.0	80.0	4"	40	21.0	28	TR	166
TDD120R9V5F	5	95.0	62.4	80.0	4"	40	24.5	28	TR	197

* Isolated Combustion System.

Accessories:

Model Number	Description	Used With	Mfg. Plant	Shipping Weight
Extended Warranties (See Extended Warranty Section)				
Controls (See Control Section)				
BAYLPKT210B	Propane Conversion Kit	All XV 80 Furnaces	TR	1
BAYLPSS210B ^②	Propane Conversion Kit	All XV 80 Furnaces	TR	1
BAYFLTR206	Filter Access Door Kit	All TDD-R Furnaces	TR	2
BAYBASE205	Downflow Subbase	All TDD-R XV Furnaces	TR	8
BAYHALT249	High Alt. Pressure Switch Kit	TUD-R-K/TDD-R-F	TR	2
BAYVENT800B	Masonry Chimney Vent Kit	All TUD060,080,100,120, 140 R9V Models	TR	2
BAYFLTR200	Side Filter Rack Kit-External	All TUD-R-K (& later) Furnaces	TR	5
BAYRACK960A ^①	Filter Rack Kit-Internal	All TUD-R9V-K (& later) Furnaces	TR	5

① Available for models with 1800 CFM or greater which require an additional side return. Includes 17" cleanable filter

② With stainless steel burners.

Features:

- Upflow/Horizontal & Downflow/Horizontal
- Power supply 115/1/60
- 2-stage gas valve
- 2-speed venter
- Silicon Nitride hot surface igniter with adaptive heat up
- Integrated solid state control
- Attractive color accents
- Heavy gauge aluminized steel heat exchanger
- Multi-port In-shot burners
- Complete front service access
- Alternate bottom/left/right return air
- Slide out blower assembly
- Hinged blower door
- Perfect fit door catches
- Insulated bower door
- Gasketed blower door
- Internal filter rack
- Standard filter sizes
- Two tone color
- Variable speed ECM blower motor
- TDD models have right and left hand side knockout for venting
- Integrated solid state control with self-diagnostics
- Common vent capability
- Cleanable framed filters
- Optional L.P. conversion kit
- Left/right gas connection
- Accessory hook-up capability
- Inner blower door panel – TDD models only
- Selectable cooling fan off delay eliminates need for BAY24X045time delay kit
- Enhanced cooling control
- **Non-prorated 20-year heat exchanger limited warranty (Residential use)**
- **Optional extended warranties**
- **5 year limited parts warranty**



TUC1B040 — D120A
Direct Vent/
Non-Direct Vent

XB 90 DV
Condensing
Gas Furnace
Single Stage

Specifications: Upflow/Horizontal Condensing (Sealed Combustion -1 or 2 Pipe Vent Option)

Model Number	Airflow In Tons (Nom.)	Nominal Cap-BTUH Htg Output	ICS* AFUE	PVC Flue Size	Uncrated Dimensions (in.)			Mfg. Plant	Shipping Weight
					H	W	D		
TUC1B040A9241A	2	38,000	92.1	2,2 ¹ / ₂ ,3"	40	17.5	28	TR	139
TUC1B060A9361A	3	56,000	92.1	2,2 ¹ / ₂ ,3"	40	17.5	28	TR	150
TUC1B080A9421A	3.5	74,000	92.1	2,2 ¹ / ₂ ,3"	40	17.5	28	TR	158
TUC1C100A9481A	4	94,000	92.1	2 ¹ / ₂ ,3"	40	21.0	28	TR	171
TUC1D100A9601A	5	93,000	92.1	2 ¹ / ₂ ,3"	40	24.5	28	TR	197
TUC1D120A9601A	5	113,000	92.1	2 ¹ / ₂ ,3"	40	24.5	28	TR	205

* Isolated Combustion System.

Accessories:

Model Number	Description	Used With	Mfg. Plant	Shipping Weight
Extended Warranties – (See Extended Warranty Section)				
CONTROLS See Comfort Controls Section				
BAYLPKT210B	Propane Conversion Kit	TUC1 Furnaces	TR	1
BAYLPSS210B ^①	Propane Conversion Kit	TUC1 Furnaces	TR	1
BAY69X147	Wall Mount Flange-3"	TUC1 Furnaces	TR	1
BAY69X148	Wall Mount Flange-2"	TUC1 Furnaces	TR	1
BAYRACK960A ^②	Filter Rack Kit - Internal	TUC1 Furnaces	TR	5
BAYFLTR200	Side Filter Rack - External	TUC1 Furnaces	TR	5
BAYFLTR317	Cleanable Filter	Upflow 17.5" Furnaces	TR	2
BAYFLTR321	Cleanable Filter	Upflow 21" Furnaces	TR	2
BAYFLTR324	Cleanable Filter	Upflow 24.5" Furnaces	TR	2
BAYSWT01AHALTA	High Altitude Pressure Switch Kit	TUC1B040,D100	TR	2
BAYSWT02AHALTA	High Altitude Pressure Switch Kit	TUC1B060C	TR	2
BAYSWT03AHALTA	High Altitude Pressure Switch Kit	TUC1B080C	TR	2
BAYSWT04AHALTA	High Altitude Pressure Switch Kit	TUC1C100,D120	TR	2
BAYAIR30AVENTA	Concentric Vent Kit	TUC1 Furnaces	TR	11
BAYVENT200B	Sidewall Vent Termination Kit	All 2 Pipe Direct Vent Furnaces	TR	2
BAYMFGH100A	Manufactured/Mobile Home Kit	All 2 Pipe Direct Vent Furnaces	TR	2

^① With stainless steel burners.

^② Internal filter rack for side or bottom return air. Includes 17.5" cleanable filter.

*For heating/cooling thermostats see outdoor sections.

Features:

- Power supply 115/1/60
- Convertible to horizontal left airflow
- **Type 29-4C™** stainless steel secondary heat exchanger
- Direct drive, 4-speed motors
- Silicon Carbide igniter with adaptive heat up
- Accessory hook-up capability- Hum and EAC
- Quiet induced draft blower
- Blower door safety switch
- Dual solenoid combination gas valve & regulator
- PVC venting - 1 or 2 pipe vent option
- Left/right gas connection
- Selectable cooling fan off delay eliminates need for BAY24X045 time delay relay
- Integrated solid state control with self-diagnostics
- 24 volt fuse
- Manual reset burner box limit
- **20 Year limited primary heat exchanger or secondary heat exchanger warranty to original owner (Residential use)**
- **5 Year limited parts warranty**
- **Optional extended warranties**



TDC1B040 — D120A
**Direct Vent/
 Non-Direct Vent**

XB 90 DV
**Condensing
 Gas Furnace**
Single Stage

Specifications: Downflow/Horizontal Condensing (Sealed Combustion -1 or 2 Pipe Vent Option)

Model Number	Airflow In Tons (Nom.)	Nominal Cap-BTUH Htg Output	ICS* AFUE	PVC Flue Size	Uncrated Dimensions (in.)			Mfg. Plant	Shipping Weight
					H	W	D		
TDC1B040A9241A	2	38,000	91.0	2,2 ¹ / ₂ ,3"	40	17.5	28	TR	145
TDC1B060A9361A	3	56,000	91.0	2,2 ¹ / ₂ ,3"	40	17.5	28	TR	155
TDC1B080A9421A	3.5	74,000	91.0	2,2 ¹ / ₂ ,3"	40	17.5	28	TR	168
TDC1C100A9481A	4	94,000	91.0	2 ¹ / ₂ ,3"	40	21.0	28	TR	185
TDC1D120A9601A	5	112,000	91.0	2 ¹ / ₂ ,3"	40	24.5	28	TR	206

* Isolated Combustion System.

Accessories:

Model Number	Description	Used With	Mfg. Plant	Shipping Weight
Extended Warranties – (See Extended Warranty Section)				
CONTROLS See Comfort Controls Section				
BAYLPKT210B	Propane Conversion Kit	TDC1 Furnaces	TR	1
BAYLPSS210B ^①	Propane Conversion Kit	TDC1 Furnaces	TR	1
BAY69X147	Wall Mount Flange-3"	TDC1 Furnaces	TR	1
BAY69X148	Wall Mount Flange-2"	TDC1 Furnaces	TR	1
BAYBASE205	Downflow Subbase	TDC1 Furnaces	TR	8
BAYFLTR206	Filter Access Door Kit	TDC1 Furnaces	TR	2
BAYSWT01AHALTA	High Altitude Pressure Switch Kit	TDC1B040	TR	2
BAYSWT04AHALTA	High Altitude Pressure Switch Kit	TDC1B080,D120	TR	2
BAYSWT05AHALTA	High Altitude Pressure Switch Kit	TDC1C100	TR	2
BAYSWT06AHALTA	High Altitude Pressure Switch Kit	TDC1B060	TR	2
BAYAIR30AVENTA	Concentric Vent Kit	TDC1 Furnaces	TR	11
BAYVENT200B	Sidewall Vent Termination Kit	All 2 Pipe Direct Vent Furnaces	TR	2
BAYMFGH100A	Manufactured/Mobile Home Kit	All 2 Pipe Direct Vent Furnaces	TR	2

^① With stainless steel burners.

Features:

- Power supply 115/1/60
- Convertible to horizontal right airflow
- **Type 29-4C™** stainless steel secondary heat exchanger
- Inner blower doors
- Direct drive, 4-speed motors
- Silicon Carbide igniter with adaptive heat up
- Accessory hook-up capability- Hum and EAC
- Quiet induced draft blower
- Blower door safety switch
- Dual solenoid combination gas valve & regulator
- PVC venting - 1 or 2 pipe vent option
- Left/right gas connection
- Selectable cooling fan off delay eliminates need for BAY24X045 time delay relay
- Integrated solid state control with self-diagnostics
- 24 volt fuse
- Manual reset burner box limit
- **20 Year limited primary heat exchanger or secondary heat exchanger warranty to original owner (Residential use)**
- **5 Year limited parts warranty**
- **Optional extended warranties**



TUX1B040 — D120A
**Direct Vent/
 Non-Direct Vent**

XR 90 DV
**Condensing
 Gas Furnace**
Single Stage

Specifications: Upflow/Horizontal Condensing (Sealed Combustion -1 or 2 Pipe Vent Option)

Model Number	Airflow In Tons (Nom.)	Nominal Cap-BTUH Htg Output	ICS* AFUE	Flue Size	Uncrated Dimensions (in.)			Mfg. Plant	Shipping Weight
					H	W	D		
TUX1B040A9241A	2	38,000	92.1	2,2 ¹ / ₂ ,3"	40	17.5	28	TR	139
TUX1B060A9361A	3	56,000	92.1	2,2 ¹ / ₂ ,3"	40	17.5	28	TR	150
TUX1B080A9421A	3.5	74,000	92.1	2,2 ¹ / ₂ ,3"	40	17.5	28	TR	158
TUX1C080A9601A	5	76,000	92.1	2,2 ¹ / ₂ ,3"	40	21.0	28	TR	171
TUX1C100A9481A	4	94,000	92.1	2 ¹ / ₂ ,3"	40	21.0	28	TR	171
TUX1D100A9601A	5	93,000	92.1	2 ¹ / ₂ ,3"	40	24.5	28	TR	197
TUX1D120A9601A	5	113,000	92.1	2 ¹ / ₂ ,3"	40	24.5	28	TR	205

* Isolated Combustion System.

Accessories:

Model Number	Description	Used With	Mfg. Plant	Shipping Weight
Extended Warranties	(See Extended Warranty Section)			
Controls	(See Control Section)			
BAYLPKT210B	Propane Conversion Kit	TUX1 Furnaces	TR	1
BAYLPSS210B ^①	Propane Conversion Kit	TUX1 Furnaces	TR	1
BAY69X147	Wall Mount Flange-3"	TUX1 Furnaces	TR	1
BAY69X148	Wall Mount Flange-2"	TUX1 Furnaces	TR	1
BAYRACK960A ^②	Filter Rack Kit - Internal	TUX1 Furnaces	TR	5
BAYFLTR200	Side Filter Rack - External	TUX1 Furnaces	TR	5
BAYFLTR317	Cleanable Filter	Upflow 17.5" Furnaces	TR	2
BAYFLTR321	Cleanable Filter	Upflow 21" Furnaces	TR	2
BAYFLTR324	Cleanable Filter	Upflow 24.5" Furnaces	TR	2
BAYSWT01AHALTA	High Altitude Pressure Switch Kit	TUX1B040,D100	TR	2
BAYSWT02AHALTA	High Altitude Pressure Switch Kit	TUX1B060C	TR	2
BAYSWT03AHALTA	High Altitude Pressure Switch Kit	TUX1B080C	TR	2
BAYSWT04AHALTA	High Altitude Pressure Switch Kit	TUX1C100,D120	TR	2
BAYSWT01AMALTB	Medium Altitude Conversion Kit	TUX1C100,D120	TR	2
BAYAIR30AVENTA	Concentric Vent Kit	TUX1 Furnaces	TR	11
BAYVENT200B	Sidewall Vent Termination Kit	All 2 Pipe Direct Vent Furnaces	TR	2
BAYMFGH100A	Manufactured/Mobile Home Kit	All 2 Pipe Direct Vent Furnaces	TR	2

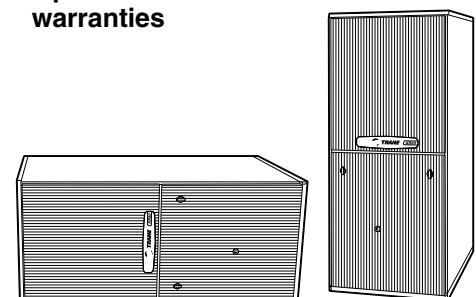
*For heating/cooling thermostats see outdoor sections.

^① With stainless steel burners.

^② Internal filter rack for side or bottom return air. Includes 17" cleanable filter.

Features:

- Power supply 115/1/60
- Convertible to horizontal left
- **Type 29-4C™** stainless steel secondary heat exchanger
- Direct drive, 4-speed motors
- Silicon Nitride igniter with adaptive heat up
- Accessory hook-up capability- Hum and EAC
- Quiet induced draft blower
- Blower door safety switch
- Dual solenoid combination gas valve & regulator
- PVC venting - 1 or 2 pipe vent option
- Left/right gas connection
- Single wire twinning
- Hinged blower door
- Perfect fit door latches
- Insulated blower door
- Gasketed blower door
- Two tone color
- Selectable cooling fan off delay eliminates need for BAY24X045 time delay relay
- Integrated solid state control with self-diagnostics
- 24 volt fuse
- Manual reset burner box limit
- **Lifetime limited primary heat exchanger or secondary heat exchanger warranty to original owner (Residential use)**
- **5 Year limited parts warranty**
- **Optional extended warranties**





TDX1B040 — D120A
**Direct Vent/
 Non-Direct Vent**

XR 90 DV
Condensing
Gas Furnace
Single Stage

Specifications: Downflow/Horizontal Condensing (Sealed Combustion -1 or 2 Pipe Vent Option)

Model Number	Airflow In Tons (Nom.)	Nominal Cap-BTUH Htg Output	ICS* AFUE	Flue Size	Uncrated Dimensions (in.)			Mfg. Plant	Shipping Weight
					H	W	D		
TDX1B040A9241A	2	38,000	91.0	2,2 ¹ / ₂ ,3"	40	17.5	28	TR	145
TDX1B060A9361A	3	56,000	91.0	2,2 ¹ / ₂ ,3"	40	17.5	28	TR	155
TDX1B080A9421A	3.5	74,000	91.0	2,2 ¹ / ₂ ,3"	40	17.5	28	TR	168
TDX1C100A9481A	4	94,000	91.0	2 ¹ / ₂ ,3"	40	21.0	28	TR	185
TDX1D120A9601A	5	112,000	91.0	2 ¹ / ₂ ,3"	40	24.5	28	TR	206

* Isolated Combustion System.

Accessories:

Model Number	Description	Used With	Mfg. Plant	Shipping Weight
Extended Warranties	(See Extended Warranty Section)			
Controls	(See Control Section)			
BAYLPKT210B	Propane Conversion Kit	TDX1 Furnaces	TR	1
BAYLPSS210B ^①	Propane Conversion Kit	TDX1 Furnaces	TR	1
BAY69X147	Wall Mount Flange-3"	TDX1 Furnaces	TR	1
BAY69X148	Wall Mount Flange-2"	TDX1 Furnaces	TR	1
BAYBASE205	Downflow Subbase	TDX1 Furnaces	TR	8
BAYFLTR206	Filter Access Door Kit	TDX1 Furnaces	TR	2
BAYSWT01AHALTA	High Altitude Pressure Switch Kit	TDX1B040	TR	2
BAYSWT04AHALTA	High Altitude Pressure Switch Kit	TDX1B080,D120	TR	2
BAYSWT05AHALTA	High Altitude Pressure Switch Kit	TDX1C100	TR	2
BAYSWT06AHALTA	High Altitude Pressure Switch Kit	TDX1B060	TR	2
BAYSWT01AMALTB	Medium Altitude Conversion Kit	TDX1C100,D120	TR	2
BAYAIR30AVENTA	Concentric Vent Kit	TDX1 Furnaces	TR	11
BAYVENT200B	Sidewall Vent Termination Kit	All 2 Pipe Direct Vent Furnaces	TR	2
BAYMFGH100A	Manufactured/Mobile Home Kit	All 2 Pipe Direct Vent Furnaces	TR	2

^① With stainless steel burners.

Features:

- Power supply 115/1/60
- Convertible to horizontal left
- **Type 29-4C™** stainless steel secondary heat exchanger
- Inner blower doors
- Direct drive, 4-speed motors
- Silicon Nitride igniter with adaptive heat up
- Accessory hook-up capability- Hum and EAC
- Quiet induced draft blower
- Blower door safety switch
- Dual solenoid combination gas valve & regulator
- PVC venting - 1 or 2 pipe vent option
- Left/right gas connection
- Selectable cooling fan off delay eliminates need for BAY24X045 time delay relay
- Single wire twinning
- Integrated solid state control with self-diagnostics
- 24 volt fuse
- Manual reset burner box limit
- **Lifetime limited primary heat exchanger or secondary heat exchanger warranty to original owner (Residential use)**
- **5 Year limited parts warranty**
- **Optional extended warranties**



TUX1 - H
Direct Vent/
Non-Direct Vent

XT 90 DV
Condensing
Gas Furnace
Single Stage
High Efficiency
Motor

Specifications: Upflow/Horizontal Condensing (Sealed Combustion -1 or 2 Pipe Vent Option)

Model Number	Airflow In Tons (Nom.)	Nominal Cap-BTUH Htg Output	ICS* AFUE	Flue Size	Uncrated Dimensions (in.)			Mfg. Plant	Shipping Weight
					H	W	D		
TUX1B040A9H21B	2	38,000	92.1	2,2 ¹ / ₂ ,3"40	17.5	28	TR	139	
TUX1B060A9H31B	3	56,000	92.1	2,2 ¹ / ₂ ,3"40	17.5	28	TR	150	
TUX1B080A9H31B	3	74,000	92.1	2,2 ¹ / ₂ ,3"40	17.5	28	TR	158	
TUX1C100A9H41B	4	94,000	92.1	2 ¹ / ₂ ,3"	40	21.0	TR	171	
TUX1D120A9H51B	5	113,000	92.1	2 ¹ / ₂ ,3"	40	24.5	TR	205	

* Isolated Combustion System.

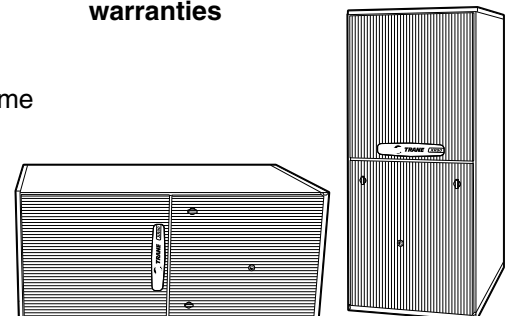
Accessories:

Model Number	Description	Used With	Mfg. Plant	Shipping Weight
Extended Warranties	(See Extended Warranty Section)			
Controls	(See Control Section)			
BAYLPKT210B	Propane Conversion Kit	TUX1 Furnaces	TR	1
BAYLPSS210B ^①	Propane Conversion Kit	TUX1 Furnaces	TR	1
BAY69X147	Wall Mount Flange-3"	TUX1 Furnaces	TR	1
BAY69X148	Wall Mount Flange-2"	TUX1 Furnaces	TR	1
BAYFLTR200	Side Filter Rack - External	TUX1 Furnaces	TR	5
BAYFLTR317	Cleanable Filter	Upflow 17.5" Furnaces	TR	2
BAYFLTR321	Cleanable Filter	Upflow 21" Furnaces	TR	2
BAYFLTR324	Cleanable Filter	Upflow 24.5" Furnaces	TR	2
BAYSWT01AHALTA	High Altitude Pressure Switch Kit	TUX1B040	TR	2
BAYSWT02AHALTA	High Altitude Pressure Switch Kit	TUX1B060C	TR	2
BAYSWT03AHALTA	High Altitude Pressure Switch Kit	TUX1B080C	TR	2
BAYSWT04AHALTA	High Altitude Pressure Switch Kit	TUX1C100,D120	TR	2
BAYAIR30AVENTA	Concentric Vent Kit	TUX1 Furnaces	TR	11
BAYVENT200B	Sidewall Vent Termination Kit	All 2 Pipe Direct Vent Furnaces	TR	2
BAYMFGH100A	Manufactured/Mobile Home Kit	All 2 Pipe Direct Vent Furnaces	TR	2

① With stainless steel burners.

Features:

- Power supply 115/1/60
- Convertible to horizontal left
- **Type 29-4C™** stainless steel secondary heat exchanger
- Direct drive high efficiency 4-speed motor
- Silicon Nitride igniter with adaptive heat up
- Accessory hook-up capability- Hum and EAC
- Quiet induced draft blower
- Blower door safety switch
- Dual solenoid combination gas valve & regulator
- PVC venting - 1 or 2 pipe vent option
- Left/right gas connection
- Hinged blower door
- Perfect fit door latches
- Insulated blower door
- Gasketed blower door
- Two tone color
- Internal filter rack accepts standard filter sizes
- Cleanable high velocity filters
- Selectable cooling fan off delay eliminates need for BAY24X045 time delay relay
- Single wire twinning
- Integrated solid state control with self-diagnostics
- 24 volt fuse
- Manual reset burner box limit
- **Lifetime limited primary heat exchanger or secondary heat exchanger warranty to original owner (Residential use)**
- **5 year limited parts warranty**
- **Optional extended warranties**





TDX1 - H
Direct Vent/
Non-Direct Vent

XT 90 DV
Condensing
Gas Furnace
Single Stage
High Efficiency
Motor

Specifications: Downflow/Horizontal Condensing (Sealed Combustion -1 or 2 Pipe Vent Option)

Model Number	Airflow In Tons (Nom.)	Nominal Cap-BTUH Htg Output	ICS* AFUE	Flue Size	Uncrated Dimensions (in.)			Mfg. Plant	Shipping Weight
					H	W	D		
TDX1B040A9H31B	3	38,000	91.0	2,2 ¹ / ₂ ,3"	40	17.5	28	TR	145
TDX1B060A9H31B	3	56,000	91.0	2,2 ¹ / ₂ ,3"	40	17.5	28	TR	155
TDX1B080A9H31B	3	74,000	91.0	2,2 ¹ / ₂ ,3"	40	17.5	28	TR	168
TDX1C100A9H41B	4	94,000	91.0	2 ¹ / ₂ ,3"	40	21.0	28	TR	185
TDX1D120A9H51B	5	112,000	91.0	2 ¹ / ₂ ,3"	40	24.5	28	TR	206

* Isolated Combustion System.

Accessories:

Model Number	Description	Used With	Mfg. Plant	Shipping Weight
Extended Warranties	(See Extended Warranty Section)			
Controls	(See Control Section)			
BAYLPKT210B	Propane Conversion Kit	TDX1 Furnaces	TR	1
BAYLPSS210B ^①	Propane Conversion Kit	TDX1 Furnaces	TR	1
BAY69X147	Wall Mount Flange-3"	TDX1 Furnaces	TR	1
BAY69X148	Wall Mount Flange-2"	TDX1 Furnaces	TR	1
BAYBASE205	Downflow Subbase	TDX1 Furnaces	TR	8
BAYFLTR206	Filter Access Door Kit	TDX1 Furnaces	TR	2
BAYSWT01AHALTA	High Altitude Pressure Switch Kit	TDX1B040	TR	2
BAYSWT04AHALTA	High Altitude Pressure Switch Kit	TDX1B080,D120	TR	2
BAYSWT05AHALTA	High Altitude Pressure Switch Kit	TDX1C100	TR	2
BAYSWT06AHALTA	High Altitude Pressure Switch Kit	TDX1B060	TR	2
BAYAIR30AVENTA	Concentric Vent Kit	TDX1 Furnaces	TR	11
BAYVENT200B	Sidewall Vent Termination Kit	All 2 Pipe Direct Vent Furnaces	TR	2
BAYMFGH100A	Manufactured/Mobile Home Kit	All 2 Pipe Direct Vent Furnaces	TR	2
BAYFLTR317	Cleanable Filter	Upflow 17.5" Furnaces	TR	2
BAYFLTR321	Cleanable Filter	Upflow 21" Furnaces	TR	2
BAYFLTR324	Cleanable Filter	Upflow 24.5" Furnaces	TR	2

^① With stainless steel burners.

Features:

- Power supply 115/1/60
- Convertible to horizontal left
- **Type 29-4C™** stainless steel secondary heat exchanger
- Inner blower doors
- Direct drive high efficiency 4-speed motor
- Internal filter rack accepts standard filter sizes
- Cleanable high velocity filters
- Silicon Nitride igniter with adaptive heat up
- Accessory hook-up capability- Hum and EAC
- Quiet induced draft blower
- Blower door safety switch
- Dual solenoid combination gas valve & regulator
- PVC venting - 1 or 2 pipe vent option
- Left/right gas connection
- Selectable cooling fan off delay eliminates need for BAY24X045 time delay relay
- Single wire twinning
- Integrated solid state control with self-diagnostics
- 24 volt fuse
- Manual reset burner box limit
- **Lifetime limited primary heat exchanger or secondary heat exchanger warranty to original owner (Residential use)**
- **5 Year limited parts warranty**
- **Optional extended warranties**



TUX2B060 — D120A
Upflow/Horizontal
Direct/Non-Direct Vent

XL 90
Two Stage
Condensing
Gas Furnace

Specifications: Upflow/Horizontal Condensing (Sealed Combustion - 1 or 2 Pipe Vent Option)

Model Number	Airflow In Tons (Nom.)	Capacity (000)		ICS* AFUE	Flue Size	Uncrated Dimensions (in.)			Mfg. Plant	Shipping Weight
		Output-BTUH Stg 2	Stg 1			H	W	D		
TUX2B060A9362A	3	56.0	36.0	93.0	2,2 ¹ / ₂ ,3"	40	17.5	28	TR	156
TUX2B080A9422A	3	73.0	48.0	92.5	2,2 ¹ / ₂ ,3"	40	17.5	28	TR	168
TUX2C100A9482A	4	93.0	60.0	93.0	2 ¹ / ₂ , 3"	40	21.0	28	TR	197
TUX2D120A9602A	5	112.0	72.0	92.5	3"	40	24.5	28	TR	206

* Isolated Combustion System.

Accessories:

Model Number	Description	Used With	Mfg. Plant	Shipping Weight
Extended Warranties	(See Extended Warranty Section)			
Controls	(See Control Section)			
BAYLPKT210B	Propane Conversion Kit	All XL 90 Furnaces	TR	1
BAYLPSS210B ^②	Propane Conversion Kit	All XL 90 Furnaces	TR	1
BAYFLTR200	Side Filter Rack - External	All XL 90 Furnaces	TR	5
BAYRACK960A ^③	Filter Rack Kit-Internal	All XL 90 Furnaces	TR	5
BAYFLTR203	Filter Kit/Horizontal Conversion	TUX2-060,080	TR	3
BAYFLTR204	Filter Kit/Horizontal Conversion	TUX2-100	TR	3
BAYFLTR205	Filter Kit/Horizontal Conversion	TUX2-120	TR	3
BAYFLTR317	Cleanable Filter	Upflow 17.5" Furnaces	TR	2
BAYFLTR321	Cleanable Filter	Upflow 21" Furnaces	TR	2
BAYFLTR324	Cleanable Filter	Upflow 24.5" Furnaces	TR	2
BAYSWT07AHALTA ^①	High Altitude Kit	TUX2-060	TR	2
BAYSWT08AHALTA ^①	High Altitude Kit	TUX2-080,100	TR	2
BAYSWT09AHALTA ^①	High Altitude Kit	TUX2-120	TR	2
BAYAIR30AVENTA	Concentric Vent Kit	TUX2 Furnaces	TR	11
BAYVENT200B	Sidewall Vent Termination Kit	TUX2 Furnaces	TR	2
BAYMFGH100A	Manufactured/Mobile Home Kit	All 2 Pipe Direct Vent Furnaces	TR	2

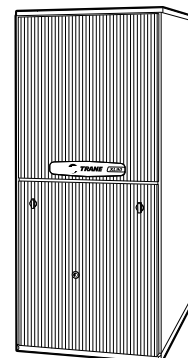
① Optional kit allows 200 ft. max. vent length from 5,000-12,000 feet above sea level. See installer's guide.

② With stainless steel burners.

③ Internal filter rack for side or bottom return air. Includes 17" cleanable filter.

Features:

- Direct Drive - 4 speed PSC Motor
- Silicon Nitride Igniter with adaptive heat up
- Variable speed induced draft blower
- Direct/Non-Direct vent option
- Fused 24 volt control circuit
- Manual reset burner safety switches
- Power supply 115/1/60
- Convertible to horizontal on left side
- 2-stage gas valve
- PVC venting-1 or 2 pipe option
- Accessory hook-up capability
- Integrated solid state control with self-diagnostics
- Attractive color accents
- Heavy gauge aluminized steel heat exchanger
- Single wire twinning
- Hinged blower door
- Perfect fit door latches
- Insulated blower door
- Gasketed blower door
- Two tone color
- Multi-port In-shot burners
- Complete front service access
- Left/right gas connection
- Adjustable fan off times
- Optional L.P conversion kit
- Selectable cooling fan off delay eliminates need for BAY24X045 time delay kit
- Lifetime limited primary heat exchanger or secondary heat exchanger warranty to original owner (Residential use)
- 5 Year limited parts warranty
- Optional extended warranties





TDX2B060 —D120A
Downflow/Horizontal
Direct/Non-Direct Vent

XL 90
Two Stage
Condensing
Gas Furnace

Specifications: Downflow/Horizontal Condensing (Sealed Combustion-1 or 2 Pipe Vent Option)

Model Number	Airflow Capacity (000)				Uncrated			Mfg. Plant	Shipping Weight
	In Tons (Nom.)	Output-BTUH Stg 2	Output-BTUH Stg 1	ICS* AFUE	Flue Size	Dimensions (in.) H	Dimensions (in.) W		
TDX2B060A9362A	3	55.0	36.0	92.0	2,2 1/2,3"	40	17.5	28	TR 160
TDX2B080A9422A	3	74.0	48.0	92.5	2,2 1/2,3"	40	17.5	28	TR 168
TDX2C100A9482A	4	93.0	60.0	93.0	2 1/2, 3"	40	21.0	28	TR 185
TDX2D120A9602A	5	111.0	72.0	92.5	3"	40	24.5	28	TR 206

* Isolated Combustion System.

Accessories:

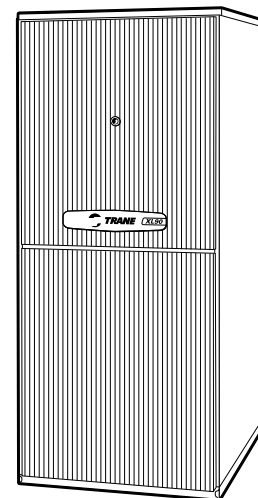
Model Number	Description	Used With	Mfg. Plant	Shipping Weight
Extended Warranties	(See Extended Warranty Section)			
Controls	(See Control Section)			
BAYLPKT210B	Propane Conversion Kit	All XL 90 Furnaces	TR	1
BAYLPSS210B ^②	Propane Conversion Kit	All XL 90 Furnaces	TR	1
BAYBASE205	Downflow Subbase	TDX2 Furnaces	TR	8
BAYSWT07AHALTA ^①	High Altitude Kit	TDX2-060	TR	2
BAYSWT08AHALTA ^①	High Altitude Kit	TDX2-080,100	TR	2
BAYSWT09AHALTA ^①	High Altitude Kit	TDX2-120	TR	2
BAYAIR30AVENTA	Concentric Vent Kit	TDX2 Furnaces	TR	11
BAYVENT200B	Sidewall Vent Termination Kit	TDX2 Furnaces	TR	2
BAYMFGH100A	Manufactured/Mobile Home Kit	All 2 Pipe Direct Vent Furnaces	TR	2
BAYFLTR317	Cleanable Filter	Upflow 17.5" Furnaces	TR	2
BAYFLTR321	Cleanable Filter	Upflow 21" Furnaces	TR	2
BAYFLTR324	Cleanable Filter	Upflow 24.5" Furnaces	TR	2

^① Optional kit allows 200 ft. max. vent length from 5,000-12,000 feet above sea level. See installer's guide.

^② With stainless steel burners.

Features:

- Direct drive, 4 speed PSC motor
- Silicon Nitride Igniter with adaptive heat up
- Variable speed induced draft blower
- Direct/Non-Direct vent option
- Fused 24 volt control circuit
- Manual reset burner safety switches
- Power supply 115/1/60
- Convertible to horizontal on left side
- 2-stage gas valve
- PVC venting-1 or 2 pipe option
- Accessory hook-up capability
- Integrated solid state control
- Attractive color accents
- Heavy gauge aluminized steel heat exchanger
- Multi-port In-shot burners
- Single wire twinning
- Complete front service access
- Left/right gas connection
- Adjustable fan off times
- Optional L.P conversion kit
- Selectable cooling fan off delay eliminates need for BAY24X045 time delay kit
- **Lifetime limited primary heat exchanger or secondary heat exchanger warranty to original owner (Residential use)**
- **5 Year limited parts warranty**
- **Optional extended warranties**





TUY060 — 120
Upflow/Horizontal
Direct/Non-Direct Vent

XV 90 Two Stage
Variable Speed
Gas Furnace

Specifications: Upflow/Horizontal Condensing Induced Draft (Sealed Combustion -1 or 2 Pipe Vent Option)

Model Number	Airflow In Tons (Nom.)	Capacity (000) Output-BTUH		ICS* AFUE	Flue Size	Uncrated Dimensions (in.)			Mfg. Plant	Shipping Weight
		Stg 2	Stg 1			H	W	D		
TUY060R9V3W	3	56.0	37.0	93.0	2,2 ¹ / ₂ ,3"	40	17.5	28	TR	156
TUY080R9V3W	3	73.0	48.0	92.5	2,2 ¹ / ₂ ,3"	40	17.5	28	TR	168
TUY100R9V4W	4	93.0	60.0	93.0	2 ¹ / ₂ , 3"	40	21.0	28	TR	197
TUY120R9V5W	5	112.0	72.0	92.5	3"	40	24.5	28	TR	206

* Isolated Combustion System.

Accessories:

Model Number	Description	Used With	Mfg. Plant	Shipping Weight
Extended Warranties	(See Extended Warranty Section)			
Controls	(See Control Section)			
BAYLPKT210B	Propane Conversion Kit	All XV 90 Furnaces	TR	1
BAYLPSS210B ^②	Propane Conversion Kit	All XV 90 Furnaces	TR	1
BAYRACK960A ^③	Filter Rack Kit-Internal	All XV 90 Furnaces	TR	5
BAYFLTR200	Side Filter Rack - External	All XV 90 Furnaces	TR	5
BAYFLTR203	Filter Kit/Horizontal Conversion	TUY060,080-R	TR	3
BAYFLTR204	Filter Kit/Horizontal Conversion	TUY100-R	TR	3
BAYFLTR205	Filter Kit/Horizontal Conversion	TUY120-R	TR	3
BAYFLTR317	Filter Accessory Kit	Upflow 14.5" Furnaces	TR	2
BAYFLTR321	Filter Accessory Kit	Upflow 21" Furnaces	TR	2
BAYFLTR324	Filter Accessory Kit	Upflow 24.5" Furnaces	TR	2
BAYSWT07AHALTA ^①	High Altitude Kit	TUY060R	TR	2
BAYSWT08AHALTA ^①	High Altitude Kit	TUY080,100R	TR	2
BAYSWT09AHALTA ^①	High Altitude Kit	TUY120R	TR	2
BAYAIR30AVENTA	Concentric Vent Kit	TUY Furnaces	TR	11
BAYVENT200B	Sidewall Vent Termination Kit	TUY Furnaces	TR	2
BAYMFGH100A	Manufactured/Mobile Home Kit	All 2 Pipe Direct Vent Furnaces	TR	2

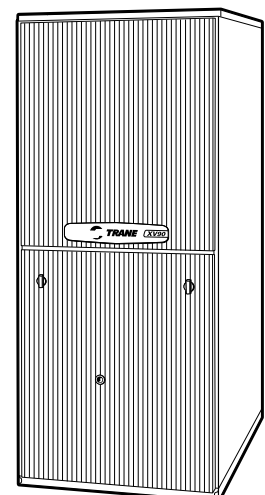
① Optional kit allows 200 ft. max. vent length from 5,000-12,000 feet above sea level. See installer's guide.

② With stainless steel burners.

③ Internal filter rack for side or bottom return air. Includes 17" cleanable filter.

Features:

- Variable speed indoor blower with ECM motor
- Silicon Nitride Igniter with adaptive heat up
- Direct/Non-Direct vent option
- Fused 24 volt control circuit
- Manual reset burner safety switches
- Power supply 115/1/60
- Convertible to horizontal on left side
- 2-stage gas valve
- PVC venting-1 or 2 pipe option
- Accessory hook-up capability
- Integrated solid state control with self-diagnostics
- Attractive color accents
- Heavy gauge aluminized steel heat exchanger
- Multi-port In-shot burners
- Hinged blower door
- Perfect fit door latches
- Insulated blower door
- Gasketed blower door
- Internal filter rack
- Standard filter sizes
- Two tone color
- Complete front service access
- Left/right gas connection
- Adjustable fan off times
- Cleanable high velocity filters
- Optional L.P conversion kit
- Selectable cooling fan off delay eliminates need for BAY24X045 time delay kit
- **Lifetime limited primary heat exchanger or secondary heat exchanger warranty to original owner (Residential use)**
- **5 year limited parts warranty**
- **Optional extended warranties**





**TDY060, 080, 100, 120
Downflow/Horizontal
Direct/Non-Direct Vent**

**XV 90 Two Stage
Variable Speed
Gas Furnace**

Specifications: Downflow/Horizontal Condensing Induced Draft (Sealed Combustion - 1 or 2 Pipe Vent Option)

Model Number	Airflow In Tons (Nom.)	Capacity (000) Output-BTUH		ICS* AFUE	Flue Size	Uncrated Dimensions (in.)			Mfg. Plant	Shipping Weight
		Stg 2	Stg 1			H	W	D		
TDY060R9V3W	3	56.0	36.0	92.0	2,2 ¹ / ₂ ,3"	40	17.5	28	TR	160
TDY080R9V3W	3	74.0	48.0	92.5	2,2 ¹ / ₂ ,3"	40	17.5	28	TR	168
TDY100R9V4W	4	94.0	60.0	93.0	2 ¹ / ₂ , 3"	40	21.0	28	TR	185
TDY120R9V5W	5	112.0	72.0	92.5	3"	40	24.5	28	TR	206

* Isolated Combustion System.

Accessories:

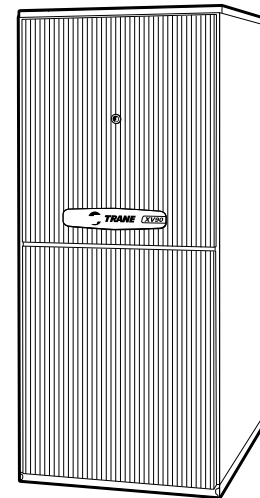
Model Number	Description	Used With	Mfg. Plant	Shipping Weight
Extended Warranties	(See Extended Warranty Section)			
Controls	(See Control Section)			
BAYLPKT210B	Propane Conversion Kit	All XV 90 Furnaces	TR	1
BAYLPSS210B ^②	Propane Conversion Kit	All XV 90 Furnaces	TR	1
BAYBASE205	Downflow Subbase	TDY Furnaces	TR	8
BAYSWT07AHALTA ^①	High Altitude Kit	TDY060R	TR	2
BAYSWT08AHALTA ^①	High Altitude Kit	TDY080,100R	TR	2
BAYSWT09AHALTA ^①	High Altitude Kit	TDY120R	TR	2
BAYAIR30AVENTA	Concentric Vent Kit	TDY Furnaces	TR	11
BAYVENT200B	Sidewall Vent Termination Kit	TDY Furnaces	TR	2
BAYMFGH100A	Manufactured/Mobile Home Kit	All 2 Pipe Direct Vent Furnaces	TR	2

^① Optional kit allows 200 ft. max. vent length from 5,000-12,000 feet above sea level. See installer's guide.

^② With stainless steel burners.

Features:

- Variable speed blower with ECM motor
- Silicon Nitride Igniter with adaptive heat up
- Direct/Non-Direct vent option
- Fused 24 volt control circuit
- Manual reset burner safety switches
- Power supply 115/1/60
- Convertible to horizontal on left side
- 2-stage gas valve
- PVC venting-1 or 2 pipe option
- Accessory hook-up capability
- Quiet induced draft blower
- Integrated solid state control
- Attractive color accents
- Heavy gauge aluminized steel heat exchanger
- Multi-port In-shot burners
- Complete front service access
- Left/right gas connection
- Adjustable fan off times
- Cleanable high velocity filters
- Optional L.P conversion kit
- Selectable cooling fan off delay eliminates need for BAY24X045 (time delay kit)
- **Lifetime limited primary heat exchanger or secondary heat exchanger warranty to original owner (Residential use)**
- **5 year limited parts warranty**
- **Optional extended warranties**





It's Hard To Stop A Trane.®

Special Use Furnace Accessories

Specifications: High Altitude Pressure Switch

Model Number	Description	Used With	Mfg. Plant	Shipping Weight
BAYHALT249	1 Switch	TUD2,TUD-R-K,TDD-R-F	TR	2
BAYHALT248	1 Switch	TUD1/TDD1;TUE1/TDE1	TR	2
BAYHALT239	1 Switch	TDD2	TR	2

Specifications: High Altitude Pressure Switch*

Model Number	Description	Used With	Mfg. Plant	Shipping Weight
BAYSWT01AHALTA	1 Switch	TUC1B040,TUC1D100,TDC1B040, TUX1B040,TUX1D100,TDX1B040	TR	2
BAYSWT02AHALTA	1 Switch	TUC1B060,TUX1B060	TR	2
BAYSWT03AHALTA	1 Switch	TUC1B080,TUX1B080	TR	2
BAYSWT04AHALTA	1 Switch	TUC1C100,TUC1D120,TDC1B080, TDC1D120,TUX1C100,TUX1D120, TDX1B080,TDX1D120	TR	2
BAYSWT05AHALTA	1 Switch	TDC1C100,TDX1C100	TR	2
BAYSWT06AHALTA	1 Switch	TDC1B060,TDX1B060	TR	2
BAYSWT07AHALTA	1 Switch	TUX2B060,TDX2B060, TUY060R,TDY060R	TR	2
BAYSWT08AHALTA	1 Switch	TUX2B080,TUX2C100,TDX2B080, TDX2C100,TUY080R,TUY100R, TDY080R,TDY100R	TR	2
BAYSWT09AHALTA	1 Switch	TUX2D120,TDX2D120,TUY120R,TDY120R	TR	2
BAYSWT01AMALTB	1 Switch	TUX1	TR	2

*NOTES:

- 1) All 2 stage furnace changed from two separate pressure switches to one piggy back switch.
- 2) This change occurred with the beginning serial number 6151 in April 2006.
- 3) The high altitude pressure switches are now piggy back type.
- 4) The new piggy back switches are not interchangeable with the original two switch design.
- 5) The pressure switch mounting plate is different for the piggy back switches.



Special Use Furnace Accessories

Specifications: Twinning Kits

Model Number	Description	Used With	Mfg. Plant	Shipping Weight
BAYTWIN400A	Twining Kit	TUC-C	TR	2

NOTE: Variable Speed XV80 & XV90 Furnaces should not be twinned and are not approved for twinning applications.

Specifications: Optional Accessories

Model Number	Description	Used With
BAY69X146	Horizontal vent cap (Noryl)	TUC/TDC
BAY69X147	Wall mount flange - 3"	TUX/RDX-C, TUC/TDC
BAY69X148	Wall mount flange - 2"	TUX/RDX-C, TUC/TDC
BAYBASE205	Downflow Subbase	All Gas Furnaces
BAYFLTR200	Side filter rack	TUY, TUX-R, TUX, TUC
BAYFLTR203	Filter kit horiz conversion 17.5" cabinet	All Gas Furnaces
BAYFLTR204	Filter kit horiz conversion 21" cabinet	All Gas Furnaces
BAYFLTR205	Filter kit horiz conversion 24.5" cabinet	All Gas Furnaces
BAYFLTR206	Filter kit	All Gas Furnaces except TUY/TDY
BAYFLTR317 ^①	Filter kit for 17.5" cabinet upflow only	TUY, TUX-R, TUX, TUC, TUE
BAYFLTR321 ^①	Filter kit for 21" cabinet upflow only	TUY, TUX-R, TUX, TUC, TUE
BAYFLTR324 ^①	Filter kit for 24.5" cabinet upflow only	TUY, TUX-R, TUX, TUC, TUE
BAYLPKT210B	Propane conversion kit	All Gas Furnaces
BAYLPSS210B	Propane conversion kit	All Gas Furnaces
BAYMFGH100A	Manufactured/Mobile home kit	TUY/TDY, TUX-R/TDX-R, TUX/TDX-C
BAYRACK960A ^{③④}	Filter Rack Kit for upflow models only	TUD-R-V-K, TUD-R-K, TUD-C-K, TUE
BAYAIR30AVENTA	Concentric vent Kit for 2" 2 1/2" and 3" vent system	TUY/TDY, TUX-R/TDX-R, TUX/TDX-C
BAYVENT200B	Sidewall vent Terminator Kit for Direct vent furnaces	TUY/TDY, TUX-R/TDX-R, TUX/TDX-C
BAYVENT800B ^②	Masonry chimney vent kit	TUD-R-V-K/TDD-R-V-F, TUD-R-K/TDD-R-F, TUD-C-K/TDD-C-F

^① Each filter kit contains one (1) high velocity filter.

^② Can not be used with XB80 models, TUD040C-J and TUD040-J or later models.

^③ Upflow only.

^④ Internal filter rack for side or bottom return air. Includes 17" cleanable filter.



It's Hard To Stop A Trane.®

Upflow and Horizontal Gas Furnaces

Quick Reference

Specifications:

Furnace Model Number ^①	Nom. BTUH Output	ICS* AFUE	Max. Airflow ^②	Blower Speed Taps	Motor H.P.	Flue Size (in.)	Propane Conversion Kit	Outlet Air		Return Air			
								W	D	Bottom		Side	
										W	D	H	D
UPFLOW/HORIZONTAL — XV 80 VARIABLE SPEED TWO-STAGE													
TUD060R9V3K	48,000	80.0	1402	Var.	Var.	4	BAYLPKT210B	16.25	19.6	16	23.5	14.88	23.75
TUD080R9V3K	64,000	80.0	1410	Var.	Var.	4	BAYLPKT210B	16.25	19.6	16	23.5	14.88	23.75
TUD080R9V4K	64,000	80.0	1591	Var.	Var.	4	BAYLPKT210B	19.75	19.6	19.5	23.5	14.88	23.75
TUD100R9V3K	80,000	80.0	1251	Var.	Var.	4	BAYLPKT210B	16.25	19.6	16	23.5	14.88	23.75
TUD100R9V5K	79,000	80.0	2100	Var.	Var.	4	BAYLPKT210B	19.75	19.6	19	23.5	14.88	23.75
TUD120R9V5K	97,000	80.0	2019	Var.	Var.	4	BAYLPKT210B	23.25	19.6	23	23.5	14.88	23.75
TUD140R9V5K	112,000	80.0	2075	Var.	Var.	4	BAYLPKT210B	23.25	19.6	23	23.5	14.88	23.75
UPFLOW/HORIZONTAL — XL 80 INDUCED DRAFT TWO-STAGE													
TUD2A040A9242A	32,000	80.0	910	4	1/5	4	BAYLPKT210B	13.25	19.6	13	23.5	14.88	23.75
TUD2A060A9362A	47,000	80.0	1236	4	1/3	4	BAYLPKT210B	13.25	19.6	13	23.5	14.88	23.75
TUD2B060A9362A	47,000	80.0	1236	4	1/3	4	BAYLPKT210B	16.25	19.6	16	23.5	14.88	23.75
TUD2B080A9362A	63,000	80.0	1296	4	1/3	4	BAYLPKT210B	16.25	19.6	16	23.5	14.88	23.75
TUD2B080A9482A	63,000	80.0	1710	4	1/3	4	BAYLPKT210B	16.25	19.6	16	23.5	14.88	23.75
TUD2B100A9362A	79,000	80.6	1363	4	1/3	4	BAYLPKT210B	16.25	19.6	16	23.5	14.88	23.75
TUD2C100A9482A	79,000	81.0	1669	4	1/2	4	BAYLPKT210B	19.75	19.6	19.5	23.5	14.88	23.75
TUD2C100A9602A	80,000	80.0	1978	4	1/2	4	BAYLPKT210B	19.75	19.6	23	23.5	14.88	23.75
TUD2D100A9602A	80,000	80.0	2175	4	1/2	4	BAYLPKT210B	23.25	19.6	23	23.5	14.88	23.75
TUD2C120A9542A	95,000	80.0	2037	4	1/2	4	BAYLPKT210B	19.75	19.6	19.5	23.5	14.88	23.75
TUD2D120A9602A	95,000	80.0	2005	4	1/2	4	BAYLPKT210B	23.25	19.6	23	23.5	14.88	23.75
TUD2D140A9602A	111,000	80.0	2216	4	3/4	4	BAYLPKT210B	23.25	19.6	23	23.5	14.88	23.75
UPFLOW/HORIZONTAL — XT 80 SINGLE STAGE HIGH EFFICIENCY MOTOR													
TUD1A040A9H21B	32,000	80.0	910	4	1/2	4	BAYLPKT210B	13.25	19.6	13	23.5	14.88	23.75
TUD1B060A9H31B	47,000	80.0	1236	4	1/2	4	BAYLPKT210B	13.25	19.6	13	23.5	14.88	23.75
TUD1B080A9H31B	63,000	80.0	1296	4	1/2	4	BAYLPKT210B	16.25	19.6	16	23.5	14.88	23.75
TUD1C080A9H41B	64,000	80.0	1296	4	3/4	4	BAYLPKT210B	16.25	19.6	16	23.5	14.88	23.75
TUD1B100A9H31B	79,000	80.0	1363	4	3/4	4	BAYLPKT210B	16.25	19.6	16	23.5	14.88	23.75
TUD1C100A9H51B	79,000	80.0	1363	4	1.0	4	BAYLPKT210B	16.25	19.6	16	23.5	14.88	23.75
TUD1D120A9H51B	96,000	80.0	2005	4	1.0	4	BAYLPKT210B	23.25	19.6	23	23.5	14.88	23.75
TUD1D140A9H51B	111,000	80.0	2216	4	1.0	4	BAYLPKT210B	23.25	19.6	23	23.5	14.88	23.75
UPFLOW/HORIZONTAL — XR 80 INDUCED DRAFT SINGLE STAGE													
TUD1A040A9241A	32,000	80.0	910	4	1/5	4	BAYLPKT210B	13.25	19.6	13	23.5	14.88	23.75
TUD1A040A9301A	32,000	80.0	1092	4	1/3	4	BAYLPKT210B	13.25	19.6	13	23.5	14.88	23.75
TUD1A060A9241A	47,000	80.0	901	4	1/5	4	BAYLPKT210B	13.25	19.6	13	23.5	14.88	23.75
TUD1A060A9361A	47,000	80.0	1236	4	1/3	4	BAYLPKT210B	13.25	19.6	13	23.5	14.88	23.75
TUD1B060A9361A	47,000	80.0	1236	4	1/3	4	BAYLPKT210B	13.25	19.6	13	23.5	14.88	23.75
TUD1B080A9241A	64,000	80.0	956	4	1/5	4	BAYLPKT210B	16.25	19.6	16	23.5	14.88	23.75
TUD1B080A9361A	63,000	80.0	1296	4	1/3	4	BAYLPKT210B	16.25	19.6	16	23.5	14.88	23.75
TUD1B080A9481A	64,000	80.0	1710	4	1/3	4	BAYLPKT210B	16.25	19.6	16	23.5	14.88	23.75
TUD1C080A9601A	64,000	80.0	2163	4	3/4	4	BAYLPKT210B	19.75	19.6	19.5	23.5	14.88	23.75
TUD1B100A9361A	79,000	80.0	1363	4	1/3	4	BAYLPKT210B	16.25	19.6	16	23.5	14.88	23.75
TUD1B100A9451A	80,000	80.0	1556	4	1/3	4	BAYLPKT210B	16.25	19.6	16	23.5	14.88	23.55
TUD1C100A9481A	79,000	80.0	1669	4	1/2	4	BAYLPKT210B	19.75	19.6	19.5	23.5	14.88	23.75
TUD1C100A9601A	79,000	80.0	2001	4	1/2	4	BAYLPKT210B	19.75	19.6	23	23.5	14.88	23.75
TUD1D100A9721A	80,000	80.0	2249	4	3/4	4	BAYLPKT210B	23.25	19.6	23	23.5	14.88	23.75
TUD1C120A9541A	96,000	80.0	2037	4	1/2	4	BAYLPKT210B	19.75	19.6	19.5	23.5	14.88	23.75
TUD1D120A9601A	96,000	80.0	2005	4	1/2	4	BAYLPKT210B	23.25	19.6	23	23.5	14.88	23.75
TUD1D140A9601A	111,000	80.0	2216	4	3/4	4	BAYLPKT210B	23.25	19.6	23	23.5	14.88	23.75
UPFLOW/HORIZONTAL — XB 80 INDUCED DRAFT SINGLE STAGE													
TUE1A040A9241A	31,000	80.0	910	4	1/5	4	BAYLPKT210B	13.25	19.6	13	23.5	14.88	23.75
TUE1A060A9241A	31,000	80.0	901	4	1/5	4	BAYLPKT210B	13.25	19.6	13	23.5	14.88	23.75
TUE1A060A9361A	47,000	80.0	1236	4	1/3	4	BAYLPKT210B	13.25	19.6	13	23.5	14.88	23.75
TUE1B060A9361A	47,000	80.0	1236	4	1/3	4	BAYLPKT210B	16.25	19.6	16	23.5	14.88	23.75
TUE1B080A9361A	63,000	80.0	1296	4	1/3	4	BAYLPKT210B	16.25	19.6	16	23.5	14.88	23.75
TUE1B080A9481A	64,000	80.0	1710	4	1/3	4	BAYLPKT210B	16.25	19.6	16	23.5	14.88	23.75
TUE1B100A9361A	79,000	80.0	1363	4	1/3	4	BAYLPKT210B	16.25	19.6	16	23.5	14.88	23.75
TUE1C100A9481A	79,000	80.0	1669	4	1/2	4	BAYLPKT210B	19.25	19.6	19.5	23.5	14.88	23.75
TUE1C100A9601A	79,000	80.0	2001	4	1/2	4	BAYLPKT210B	19.75	19.6	19.5	23.5	14.88	23.75
TUE1D120A9601A	96,000	80.0	2005	4	1/2	4	BAYLPKT210B	23.25	19.6	23	23.5	14.88	23.75
TUE1D140A9601A	111,000	80.0	2216	4	3/4	4	BAYLPKT210B	23.25	19.6	23	23.5	14.88	23.75

① Isolated Combustion System.

② Power Supply: 115 Volts, 15 Amps, 20 Amp Fuse, 1/2" Pipe Connections. CFM @ .5" ESP with filter in place.



Upflow and Horizontal Gas Furnaces

Quick Reference

Specifications:

Furnace Model Number ^①	Nom. BTUH Output	ICS* AFUE	Max. Airflow ^②	Blower Speed Taps	Motor H.P.	Flue Size (in.)	Propane Conversion Kit	Outlet Air		Return Air			
								W	D	Bottom		Side	
W	D	W	D	H	D								
UPFLOW/HORIZONTAL — XV 90 VARIABLE SPEED WITH RECUPERATIVE COIL DIRECT VENT TWO-STAGE													
TUY060R9V3W	56,000	93.0	1275	Var.	Var.	2-3	BAYLPKT210B	16.25	19.6	16	24	14.88	23.75
TUY080R9V3W	73,000	92.5	1400	Var.	Var.	2-3	BAYLPKT210B	16.25	19.6	16	24	14.88	23.75
TUY100R9V4W	93,000	93.0	1770	Var.	Var.	2 1/2, 3	BAYLPKT210B	19.75	19.6	19	24	14.88	23.75
TUY120R9V5W	112,000	92.5	1920	Var.	Var.	3 Only	BAYLPKT210B	23.25	19.6	23	24	14.88	23.75
UPFLOW/HORIZONTAL — XL 90 VARIABLE SPEED WITH RECUPERATIVE COIL NON-DIRECT VENT TWO STAGE 1 OR 2 PIPE													
TUX2B060A9362A	56,000	93.0	1196	4	1/3	2, 2 1/2-3	BAYLPKT210B	16.25	19.6	16	24	14.88	23.75
TUX2B080A9422A	73,000	92.5	1470	4	1/3	2, 2 1/2-3	BAYLPKT210B	16.25	19.6	16	24	14.88	23.75
TUX2C100A9482A	93,000	93.0	1746	4	1/2	2 1/2-3	BAYLPKT210B	19.75	19.6	19	24	14.88	23.75
TUX2D120A9602A	112,000	92.5	2261	4	3/4	3	BAYLPKT210B	23.25	19.6	23	24	14.88	23.75
UPFLOW/HORIZONTAL — XT 90 DIRECT VENT CONDENSING SINGLE STAGE HIGH EFFICIENCY MOTOR													
TUX1B040A9H21B	38,000	92.1	812	4	1/2	2-3	BAYLPKT210B	16.25	19.6	16	24	14.88	23.75
TUX1B060A9H31B	56,000	92.1	1196	4	1/2	2-3	BAYLPKT210B	16.25	19.6	16	24	14.88	23.75
TUX1B080A9H31B	74,000	92.1	1470	4	1/2	2-3	BAYLPKT210B	16.25	19.6	16	24	14.88	23.75
TUX1C100A9H41B	94,000	92.1	1746	4	3/4	2-3	BAYLPKT210B	19.75	19.6	19	24	14.88	23.75
TUX1D120A9H51B	113,000	92.1	2261	4	1.0	3 Only	BAYLPKT210B	23.25	19.6	23	24	14.88	23.75
UPFLOW/HORIZONTAL — XR 90 WITH RECUPERATIVE COIL DIRECT VENT SINGLE STAGE													
TUX1B040A9241A	38,000	92.1	812	4	1/5	2-3	BAYLPKT210B	16.25	19.6	16	24	14.88	23.75
TUX1B060A9361A	56,000	92.1	1196	4	1/3	2-3	BAYLPKT210B	16.25	19.6	16	24	14.88	23.75
TUX1B080A9421A	74,000	92.1	1470	4	1/3	2-3	BAYLPKT210B	16.25	19.6	16	24	14.88	23.75
TUX1C080A9601A	76,000	92.1	2121	4	1/2	2-3	BAYLPKT210B	16.25	19.6	16	24	14.88	23.75
TUX1C100A9481A	94,000	92.1	1746	4	1/2	2-3	BAYLPKT210B	19.75	19.6	19	24	14.88	23.75
TUX1D100A9601A	93,000	92.1	2165	4	1/2	2-3	BAYLPKT210B	23.25	19.6	23	24	14.88	23.75
TUX1D120A9601A	113,000	92.1	2261	4	1/2	3 Only	BAYLPKT210B	23.25	19.6	23	24	14.88	23.75
UPFLOW/HORIZONTAL — XB 90 WITH RECUPERATIVE COIL SINGLE STAGE													
TUC1B040A9241A	37,000	92.1	812	3	1/5	2-3	BAYLPKT210B	16.25	19.6	16	24	14.88	23.75
TUC1B060A9361A	56,000	92.1	1196	4	1/3	2-3	BAYLPKT210B	16.25	19.6	16	24	14.88	23.75
TUC1B080A9421A	74,000	92.1	1470	4	1/3	2-3	BAYLPKT210B	16.25	19.6	16	24	14.88	23.75
TUC1C100A9481A	94,000	92.1	1746	4	1/2	2-3	BAYLPKT210B	19.75	19.6	19	24	14.88	23.75
TUC1D100A9601A	93,000	92.1	2165	4	1/2	2-3	BAYLPKT210B	23.25	19.6	23	24	14.88	23.75
TUC1D120A9601A	113,000	92.1	2261	4	1/2	3 Only	BAYLPKT210B	23.25	19.6	23	24	14.88	23.75

① Isolated Combustion System.

② Power Supply: 115 Volts, 15 Amps, 20 Amp Fuse, 1/2" Pipe Connections. CFM @ .5" ESP with filter in place.



It's Hard To Stop A Trane.®

Downflow and Horizontal Gas Furnaces

Quick Reference

Specifications:

Furnace Model Number ^①	Nom. BTUH Output	ICS* AFUE	Max. Airflow ^②	Blower Speed Taps	Motor H.P.	Flue Size (in.)	Propane Conversion Kit	Downflow Subbase	Outlet Air		Return Air	
									W	D	H	D
DOWNFLOW/HORIZONTAL — XV 80 VARIABLE SPEED TWO STAGE												
TDD060R9V3F	48,000	80.0	1360	Var.	Var.	4	BAYLPKT210B	BAYBASE205	16	19.6	16.25	19.63
TDD080R9V3F	63,000	80.0	1315	Var.	Var.	4	BAYLPKT210B	BAYBASE205	16	19.6	16.25	19.63
TDD100R9V5F	81,000	80.0	2015	Var.	Var.	4	BAYLPKT210B	BAYBASE205	19.5	19.6	19.75	19.63
TDD120R9V5F	95,000	80.0	2215	Var.	Var.	4	BAYLPKT210B	BAYBASE205	23	19.6	23.25	19.63
DOWNFLOW/HORIZONTAL — XL 80 INDUCED DRAFT TWO STAGE												
TDD2A040A9242A	32,000	80.0	960	4	1/5	4	BAYLPKT210B	BAYBASE205	13	19.6	13.25	19.63
TDD2A060A9362A	47,000	80.0	1282	4	1/3	4	BAYLPKT210B	BAYBASE205	13	19.6	13.25	19.63
TDD2B060A9362A	47,000	80.0	1282	4	1/3	4	BAYLPKT210B	BAYBASE205	16	19.6	16.25	19.63
TDD2B080A9362A	64,000	80.0	1369	4	1/3	4	BAYLPKT210B	BAYBASE205	16	19.6	16.25	19.63
TDD2B100A9452A	79,000	80.0	1546	4	1/3	4	BAYLPKT210B	BAYBASE205	16	19.6	16.25	19.63
TDD2C100A9482A	79,000	80.0	1740	4	1/2	4	BAYLPKT210B	BAYBASE205	19.5	19.6	19.75	19.63
TDD2C100A9602A	81,000	80.0	1929	4	1/2	4	BAYLPKT210B	BAYBASE205	19.5	19.6	19.75	19.63
TDD2D120A9602A	94,000	80.0	2049	4	1/2	4	BAYLPKT210B	BAYBASE205	23	19.6	23.25	19.63
TDD2D140A9602A	113,000	80.0	2133	4	3/4	4	BAYLPKT210B	BAYBASE205	23	19.6	23.25	19.63
DOWNFLOW/HORIZONTAL — XT80 SINGLE STAGE HIGH EFFICIENCY MOTOR												
TDD1B060A9H31B	48,000	80.0	1282	4	1/2	4	BAYLPKT210B	BAYBASE205	13	19.6	13.25	19.63
TDD1B080A9H31B	64,000	80.0	1369	4	1/2	4	BAYLPKT210B	BAYBASE205	16	19.6	16.25	19.63
TDD1C100A9H51B	81,000	80.0	1929	4	1.0	4	BAYLPKT210B	BAYBASE205	19.5	19.6	19.75	19.63
TDD1D120A9H51B	96,000	80.0	2049	4	1.0	4	BAYLPKT210B	BAYBASE205	23	19.6	23.25	19.63
DOWNFLOW/HORIZONTAL — XR 80 INDUCED DRAFT SINGLE STAGE												
TDD1A040A9241A	31,000	78.0	920	4	1/5	4	BAYLPKT210B	BAYBASE205	13	19.6	13.25	19.63
TDD1A060A9241A	48,000	80.0	1001	4	1/5	4	BAYLPKT210B	BAYBASE205	13	19.6	13.25	19.63
TDD1A060A9361A	48,000	80.0	1282	4	1/3	4	BAYLPKT210B	BAYBASE205	13	19.6	13.25	19.63
TDD1B060A9361A	48,000	80.0	1282	4	1/3	4	BAYLPKT210B	BAYBASE205	13	19.6	13.25	19.63
TDD1B080A9361A	64,000	80.0	1369	4	1/3	4	BAYLPKT210B	BAYBASE205	16	19.6	16.25	19.63
TDD1B080A9451A	64,000	80.0	1575	4	1/3	4	BAYLPKT210B	BAYBASE205	16	19.6	16.25	19.63
TDD1B100A9451A	80,000	80.0	1546	4	1/3	4	BAYLPKT210B	BAYBASE205	16	19.6	16.25	19.63
TDD1C100A9481A	80,000	80.0	1740	4	1/2	4	BAYLPKT210B	BAYBASE205	19.5	19.6	19.75	19.63
TDD1C100A9541A	81,000	80.0	1929	4	1/2	4	BAYLPKT210B	BAYBASE205	19.5	19.6	19.75	19.63
TDD1C120A9541A	96,000	80.0	1918	4	1/2	4	BAYLPKT210B	BAYBASE205	19.5	19.6	19.75	19.63
TDD1D120A9601A	96,000	80.0	2049	4	1/2	4	BAYLPKT210B	BAYBASE205	23	19.6	23.25	19.63
TDD1D140A9601A	113,000	80.0	2133	4	3/4	4	BAYLPKT210B	BAYBASE205	23	19.6	23.25	19.63
DOWNFLOW/HORIZONTAL — XB 80 INDUCED DRAFT SINGLE STAGE												
TDE1A060A9361A	48,000	80.0	1282	4	1/3	4	BAYLPKT210B	BAYBASE205	13	19.6	13.25	19.63
TDE1B060A9361A	48,000	80.0	1282	4	1/3	4	BAYLPKT210B	BAYBASE205	16	19.6	16.25	19.63
TDE1B080A9451A	64,000	80.0	1575	4	1/3	4	BAYLPKT210B	BAYBASE205	16	19.6	16.25	19.63
TDE1B100A9451A	80,000	80.0	1546	4	1/3	4	BAYLPKT210B	BAYBASE205	16	19.6	16.25	19.63
TDE1C100A9601A	81,000	80.0	1929	4	1/2	4	BAYLPKT210B	BAYBASE205	19.5	19.6	19.75	19.63
TDE1D120A9601A	96,000	80.0	2049	4	1/2	4	BAYLPKT210B	BAYBASE205	23	19.6	23.25	19.63

① Isolated Combustion System.

② CFM @ .5 inches ESP with filter in place.



It's Hard To Stop A Trane.®

Downflow and Horizontal Gas Furnaces

Quick Reference

Specifications:

Furnace Model Number ^①	Nom. BTUH Output	ICS* AFUE	Max. Airflow ^②	Blower Speed Taps	Motor H.P.	Flue Size (in.)	Propane Conversion Kit	Downflow Subbase	Outlet Air		Return Air	
									W	D	H	D
DOWNFLOW/HORIZONTAL — XV 90 VARIABLE SPEED WITH RECUPERATIVE COIL DIRECT VENT TWO-STAGE												
TDY060R9V3W	56,000	92.0	1350	Var.	Var.	2-3	BAYLPKT210B	BAYBASE205	16	19.6	16.25	19.63
TDY080R9V3W	74,000	92.5	1210	Var.	Var.	2-3	BAYLPKT210B	BAYBASE205	16	19.6	16.25	19.63
TDY100R9V4W	94,000	93.0	1800	Var.	Var.	2,2½-3	BAYLPKT210B	BAYBASE205	19.5	19.6	19.75	19.63
TDY120R9V5W	112,000	92.5	1900	Var.	Var.	3 Only	BAYLPKT210B	BAYBASE205	23	19.6	23.25	19.63
DOWNFLOW/HORIZONTAL — XL 90 VARIABLE SPEED WITH RECUPERATIVE COIL NON-DIRECT VENT TWO STAGE ONE OR TWO PIPE												
TDX2B060A9362A	55,000	92.0	1209	4	1/3	2,2½-3	BAYLPKT210B	BAYBASE205	16	19.6	16.25	19.63
TDX2B080A9422A	74,000	92.5	1323	4	1/2	2,2½-3	BAYLPKT210B	BAYBASE205	16	19.6	16.25	19.63
TDX2C100A9482A	93,000	93.0	1614	4	1/2	2½-3	BAYLPKT210B	BAYBASE205	19.5	19.6	19.75	19.63
TDX2D120A9602A	111,000	92.5	1939	4	3/4	3	BAYLPKT210B	BAYBASE205	23	19.6	23.75	19.63
DOWNFLOW/HORIZONTAL — XT 90 DIRECT VENT CONDENSING SINGLE STAGE HIGH EFFICIENCY MOTOR												
TDX1B040A9H31B	38,000	91.0	807	4	1/2	2-3	BAYLPKT210B	BAYBASE205	16	19.6	16.25	19.63
TDX1B060A9H31B	56,000	91.0	1209	4	1/2	2-3	BAYLPKT210B	BAYBASE205	16	19.6	16.25	19.63
TDX1B080A9H31B	74,000	91.0	1323	4	3/4	2-3	BAYLPKT210B	BAYBASE205	16	19.6	16.25	19.63
TDX1C100A9H41B	94,000	91.0	1614	4	3/4	2-3	BAYLPKT210B	BAYBASE205	19.5	19.6	19.75	19.63
TDX1D120A9H51B	112,000	91.0	1939	4	1.0	3 Only	BAYLPKT210B	BAYBASE205	23	19.6	23.25	19.63
DOWNFLOW/HORIZONTAL — XR 90 WITH RECUPERATIVE COIL DIRECT VENT SINGLE STAGE												
TDX1B040A9241A	38,000	91.0	807	4	1/5	2-3	BAYLPKT210B	BAYBASE205	16	19.6	16.25	19.63
TDX1B060A9361A	56,000	91.0	1209	4	1/3	2-3	BAYLPKT210B	BAYBASE205	16	19.6	16.25	19.63
TDX1B080A9421A	74,000	91.0	1323	3	1/2	2-3	BAYLPKT210B	BAYBASE205	16	19.6	16.25	19.63
TDX1C100A9481A	94,000	91.0	1614	3	1/2	2-3	BAYLPKT210B	BAYBASE205	19.5	19.6	19.75	19.63
TDX1D120A9601A	112,000	91.0	1939	3	1/2	3 Only	BAYLPKT210B	BAYBASE205	23	19.6	23.25	19.63
DOWNFLOW/HORIZONTAL — XB 90 WITH RECUPERATIVE COIL SINGLE STAGE												
TDC1B040A9241A	38,000	91.0	807	4	1/5	2-3	BAYLPKT210B	BAYBASE205	16	19	16.25	19.63
TDC1B060A9361A	56,000	91.0	1082	4	1/3	2-3	BAYLPKT210B	BAYBASE205	16	19	16.25	19.63
TDC1B080A9421A	74,000	91.0	1323	3	1/2	2-3	BAYLPKT210B	BAYBASE205	16	19	16.25	19.63
TDC1C100A9481A	93,000	91.0	1614	3	1/2	2-3	BAYLPKT210B	BAYBASE205	19.5	19	19.75	19.63
TDC1D120A9601A	112,000	91.0	1939	3	1/2	3 Only	BAYLPKT210B	BAYBASE205	23.0	19	23.25	19.63

① Isolated Combustion System.

② CFM @ .5 inches ESP with filter in place.



**THV, TLF, TLR, TDF
Vertical Highboy
Lowboy Front Flue
Lowboy Rear Flue
Downflow/Horizontal**

**Variable Speed
High Efficiency
Oil Furnaces**

Specifications:

Model Number	Airflow In Tons (Nom.)	Nominal Cap-BTUH *Htg Output	ICS AFUE	Flue Size	Uncrated Dimensions(In.)			Mfg. Plant	Shipping Weight
					H	W	D		
THV1M087A9V3SA	3	87,000	82.9	6"	58.0	22.25	31.0	TR	260
THV1M087A9V5SA	5	87,000	82.6	6"	58.0	22.25	31.0	TR	260
TLF1M087A9V3SA	3	87,000	82.9	6"	41.5	22.25	47.0	TR	300
TLF1M087A9V5SA	5	87,000	82.7	6"	41.5	22.25	47.0	TR	300p
TLR1M087A9V3SA	3	87,000	85.0	6"	41.5	22.25	47.0	TR	300
TLR1M087A9V5SA	5	87,000	82.4	6"	41.5	22.25	47.0	TR	300
TDF1M087A9V3SA	3	87,000	84.8	6"	22.25	61.25	22.25	TR	280
TDF1M087A9V5SA	5	87,000	82.6	6"	22.25	61.25	22.25	TR	280

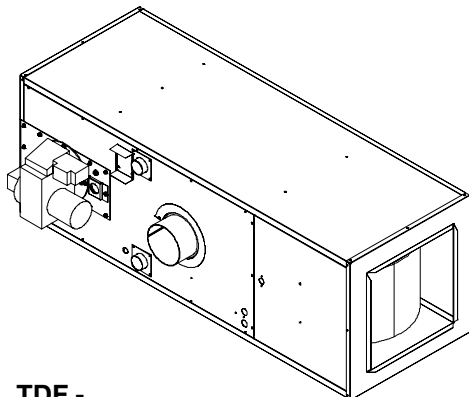
* Other input/output capacities are available by changing the burner nozzle. See installer's guide for details.

Accessories:

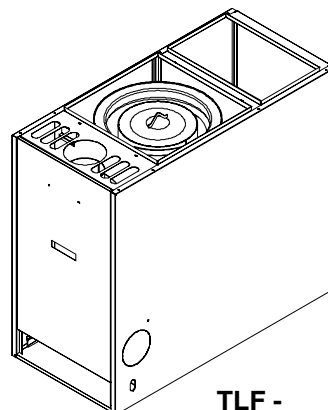
Model	Description	Used With	Mfg. Plant	Shipping Weight
BAYSUB10ABASEA	Downflow Subbase	TDF1M087A9V3, 9V5SAA	TR	22
BAYTRM10AVENTA	Top Panel & Trim Ring	THV1M087A9V3, 9V5SAA	TR	1

Features:

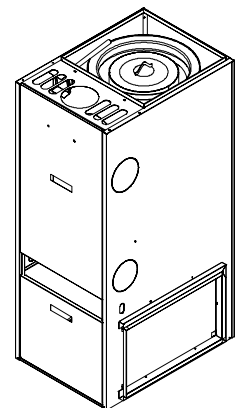
- Up to 85% Annual Fuel Utilization Efficiency (AFUE)
- 13 gauge hot rolled steel wrap around heat exchanger for durability
- Beckett Flame Retention Burner operates cleanly and quietly
- Burner features include primary control with interrupted ignition for reliability, pre-purge and clean cutoff solenoid valve for smooth ignition
- Burner and controls factory wired
- Dual clean out ports for quick access and easy cleaning
- Insulated blower compartment
- Variable speed blower motor
- Insulated blower compartment
- Slide out blower assembly for quick cleaning and service accessibility
- Filter rack with cleanable filter (Highboy & Lowboy Models) except Downflow/Horizontal
- **5 year limited parts warranty**
- **Limited lifetime heat exchanger warranty**
- Preformed ceramic fiber combustion chamber for higher efficiencies and more complete combustion
- 40 VA control transformer for add on cooling
- Heavy gauge, painted (two tone), steel cabinet
- Recessed door handles for easy removal of Highboy & lowboy Furnace doors
- Lowboy models available with front or rear flue option
- Highboy models with top or right side venting
- Downflow/Horizontal model field convertible from Downflow to right or left horizontal
- 6" Left and Right side fresh air knockouts – Highboy and Lowboy Models
- Barometric draft regulator included



**TDF -
Downflow/Horizontal**



**TLF -
Lowboy Front
Flue (TLR not shown)**



**THV -
Highboy Vertical**



THV, TLR, TLF, TDF
Vertical Highboy
Lowboy Front Flue
Lowboy Rear Flue
Downflow/Horizontal

High Efficiency
Oil Furnaces

Specifications:

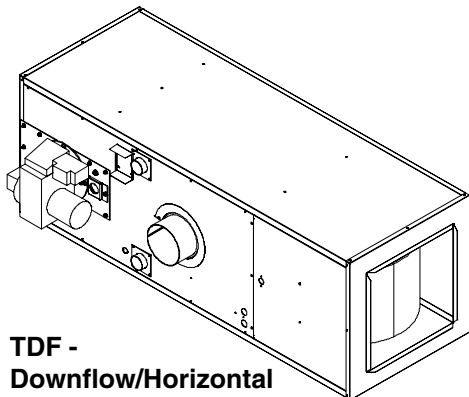
Model Number	Airflow In Tons (Nom.)	Nominal Cap-BTUH Htg Output	ICS AFUE	Flue Size	Uncrated Dimensions(In.)			Mfg. Plant	Shipping Weight
					H	W	D		
THV1M087A936SA	3	87,000	82.9	6"	58.0	22.25	31.0	TR	260
THV1M087A948SA	4	87,000	82.6	6"	58.0	22.25	31.0	TR	260
TLF1M087A936SA	3	87,000	82.9	6"	41.5	22.25	47.0	TR	300
TLF1M087A948SA	4	87,000	82.7	6"	41.5	22.25	47.0	TR	300
TLR1M087A936SA	3	87,000	85.0	6"	41.5	22.25	47.0	TR	300
TLR1M087A948SA	4	87,000	82.4	6"	41.5	22.25	47.0	TR	300
TDF1M087A936SA	3	87,000	84.8	6"	22.25	61.25	22.25	TR	280
TDF1M087A948SA	4	87,000	82.6	6"	22.25	61.25	22.25	TR	280

Accessories:

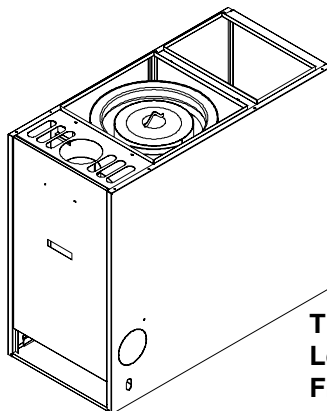
Model	Description	Used With	Mfg. Plant	Shipping Weight
BAYSUB10ABASEA	Downflow Subbase	TDF1M087A936, 948SAA	TR	22
BAYTRM10AVENTA	Top Panel & Trim Ring	THV1M087A936, 948SAA	TR	1

Features:

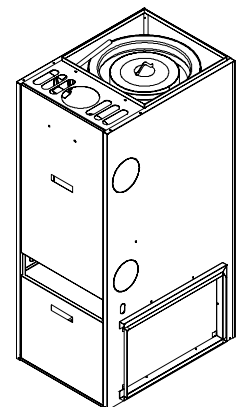
- Up to 85% Annual Fuel Utilization Efficiency (AFUE)
- 13 gauge hot rolled steel wrap around heat exchanger for durability
- Beckett Flame Retention Burner operates cleanly and quietly
- Burner features include primary control with interrupted ignition for reliability, valve on delay and clean cutoff solenoid valve for smooth ignition
- Burner and controls factory wired
- Dual clean out ports for quick access and easy cleaning
- Direct drive, permanently lubricated, 4 speed blower motor
- Insulated blower compartment
- Slide out blower assembly for quick cleaning and service accessibility
- Filter rack with cleanable filter (Highboy & Lowboy Models) except Downflow/Horizontal
- **5 year limited parts warranty**
- **Lifetime heat exchanger warranty**
- Preformed ceramic fiber combustion chamber for higher efficiencies and more complete combustion
- 40 VA control transformer for add on cooling
- Heavy gauge, powder painted (two tones) steel cabinet
- Recessed door handles for easy removal of Highboy & lowboy Furnace doors
- Lowboy models available with front or rear flue option
- Highboy models with top or right side venting
- Downflow/Horizontal model field convertible from Downflow to right or left horizontal
- 6" Left and Right side fresh air knockouts – Highboy and Lowboy Models
- Barometric draft regulator included



TDF -
Downflow/Horizontal



TLF -
Lowboy Front
Flue (TLR not shown)



THV -
Highboy Vertical



It's Hard To Stop A Trane.®

BAYCLE —

Coil Enclosures

Specifications:

Model Number	Coils Cooling or Heat Pump	Used With Furnaces Flush on Both Sides	Coil Enclosure Dimensions			Mfg. Plant	Shipping Weight
			H	W	D		
BAYCLE14A1422A	2/4CXAA018AC3CUA	14½" Wide Furnaces	22½	14½	21½	TR	12
	2/4CXAA024AC3CUA						
	2/4CXAA018BC3CUA						
	2/4CXAA024BC3CUA						
BAYCLE17A1722A	2/4CXAB025AC3CUA	17½" Wide Furnaces	22 ⁵ / ₈	17½	21½	TR	14
	2/4CXAB031AC3CUA						
	2/4CXAB036AC3CUA						
	2/4CXAB042AC3CUA						
	2/4CXAB048AC3CUA						
	2/4CXAB025BC3CUA						
	2/4CXAB031BC3CUA						
	2/4CXAB036BC3CUA						
	2/4CXAB042BC3CUA						
	2/4CXAB048BC3CUA						
BAYCLE21A2130A	2/4CXAC037AC3CUA	21" Wide Furnaces	30	21	21½	TR	18
	2/4CXAC043AC3CUA						
	2/4CXAC049AC3CUA						
	2/4CXAC060AC3CUA						
	2/4CXAC037BC3CUA						
	2/4CXAC043BC3CUA						
	2/4CXAC049BC3CUA						
	2/4CXAC060BC3CUA						
BAYCLE24A2430A	2/4CXAD050AC3CUA	24½" Wide Furnaces	30	24½	21½	TR	22
	2/4CXAD061AC3CUA						
	2/4CXAD050BC3CUA						
	2/4CXAD061BC3CUA						

Features:

- Prepainted steel cabinet

Heat Pump/ Cooling Coil Nomenclature

	2	T	X	C	B	0	3	6	A	C	3	H	C	A	A
Refrigerant Type	2 - R22 4 - R410A														
Product Family	T - Premium (Heat Pump or Convertible Coil)		C - Standard (Cooling Only)												
Coil Design	X - Direct Expansion Evaporator Coil														
Product Family	C - Cased A Coil		A - Uncased A Coil		F - Cased Horizontal Flat Coil										
Coil Width (Cased/Uncased)	A - 14.5" / 13.3"		B - 17.5" / 16.3"		C - 21.0" / 19.8"		D - 24.5" / 23.3"		H - 10.5"						
Refrigerant Line Coupling	0 - Brazed														
Nominal Capacity in 000's of BTU's															
Major Design Change															
Efficiency	C - Standard		S - Hi Efficiency												
Refrigerant Control	3 - TXV - Non-Bleed														
Coil Circuitry	H - Heat Pump		C - Cooling Only												
Airflow Configuration	A - Upflow Only		U - Upflow / Downflow		H - Horizontal Only		C - Convertible - Upflow, Downflow, Left Airflow		M - Convertible - Upflow, Downflow, Left or Right Airflow						
Minor Design Change															
Unit Parts Identifier															

Heat Pump/ Cooling Coil Nomenclature

T X C 0 2 4 C 4 H P C 0

Refrigerant Type

C or T = R22
R = R410A

Furnace Coils

XA = Uncased "A" Coil Upflow/Downflow
XC = Cased Coil Upflow/Downflow/Horizontal
XH = Cased Horizontal Only
CB = Cased/Upflow - Cooling Only
UB = Uncased/Upflow - Cooling Only

Coupling/Coil Width (Uncased/Cased)

0 = Braze A = 13/14-1/2 B = 16/17-1/2
C = 19-1/2/21 D = 23/24-1/2

Nominal Capacity in 000's of BTU's

Product Family

C = Universal
S = High Efficiency - Non-Bleed TXV
E = High Efficiency - Bleed TXY
A = Upflow Only
D = Reverse Airflow
B = Light Commercial
P = Premier

Refrigerant Control

3 = Non Bleed TXV
4 = **AccuTron**™ Flow Control/Check Valve (FCCV) R22
5 = Bleed TXV

HP = Heat Pump

AC = Cooling only

00 = Cooling only (dual circuit or 10 ton)

Minor Design Modifications

Unit Parts Identifier



2 — 5 Ton
Aluminium High Efficiency
Cased Upflow/
Downflow/Horizontal

Comfort™ Coils
Split System
**Heat Pump/
Cooling Coils**

Specifications: R-22 Refrigerant — High Efficiency Coils Upflow/Downflow/Horizontal Left

Model Number	Nominal Cap.Clg. (BTUH)	Coil Type	TXV Type	Cased	Uncrated Dimensions(in.)			Mfg. Plant	Shipping Weight
					H	W	D		
2TXCB025AS3HCA	30,000	A	HP Non-Bleed	Full	17.5	17.5	21.5	TR	42
2TXCB031AS3HCA	30,000	A	HP Non-Bleed	Full	22.5	17.5	21.5	TR	54
2TXCB036AS3HCA	36,000	A	HP Non-Bleed	Full	26.88	17.5	21.5	TR	67
2TXCC037AS3HCA	36,000	A	HP Non-Bleed	Full	26.88	21.0	21.5	TR	70
2TXCC054AS3HCA	54,000	A	HP Non-Bleed	Full	30.0	21.0	21.5	TR	73
2TXCD065AS3HCA	60,000	A	HP Non-Bleed	Partial	33.0*	24.5	21.5	TR	90

* Overall height. Actual height of case is 30".

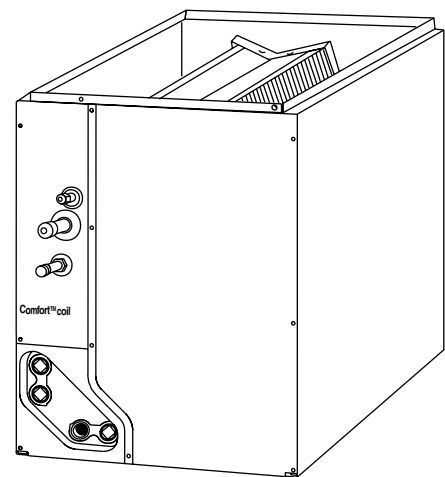
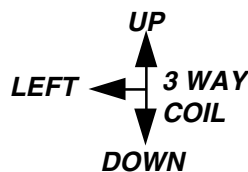
Specifications: R-410A Refrigerant — High Efficiency Coils Upflow/Downflow/Horizontal Left

Model Number	Nominal Cap.Clg. (BTUH)	Coil Type	TXV Type	Cased	Uncrated Dimensions(in.)			Mfg. Plant	Shipping Weight
					H	W	D		
4TXCB025AS3HCA	30,000	A	HP Non-Bleed	Full	17.5	17.5	21.5	TR	42
4TXCB031AS3HCA	30,000	A	HP Non-Bleed	Full	22.5	17.5	21.5	TR	54
4TXCB036AS3HCA	36,000	A	HP Non-Bleed	Full	26.88	17.5	21.5	TR	67
4TXCC037AS3HCA	36,000	A	HP Non-Bleed	Full	26.88	21.0	21.5	TR	70
4TXCC054AS3HCA	54,000	A	HP Non-Bleed	Full	30.0	21.0	21.5	TR	73
4TXCD065AS3HCA	60,000	A	HP Non-Bleed	Partial	33.0*	24.5	21.5	TR	90

* Overall height. Actual height of case is 30".

2/4TXC Comfort™ Coil Features:

- All Aluminium coil to reduce formicary corrosion
- All Non-Bleed TXV valves with internal check valve for heat pump operation
- Split inner and outer doors for easy coil cleaning
- Double sloped non corrosive drain pans-UL Rated 400°F
- Suction pressure service port
- 100% foil faced insulation
- Easy case attachment to furnace
- 3 way application
- Painted cabinet matches furnace
- **10 Year limited parts warranty on all Aluminium coils**



2/4TXC-S

**1 1/2 — 5 Ton
Cased Upflow/
Downflow/Horizontal**

**High Efficiency
Comfort™ Coils
Split System
Heat Pump/
Cooling Coils**

Specifications: Cased R-22 High Efficiency Coils Upflow/ Downflow/ Horizontal Left

Model Number	Nominal Cap.Clg. (BTUH)	Coil Type	TXV Type	Cased	Uncrated Dimensions(in.)			Mfg. Plant	Shipping Weight
					H	W	D		
TXC031S3HPC	30,000	A	HP Non-Bleed	Full	22.5	17.5	21.5	TR	54
TXC036S3HPD	36,000	A	HP Non-Bleed	Full	26.9	17.5	21.5	TR	67
TXC037S3HPD	36,000	A	HP Non-Bleed	Full	26.9	21.0	21.5	TR	70
TXC054S3HPC	54,000	A	HP Non-Bleed	Full	30.0	21.0	21.5	TR	73
TXC065S3HPC	60,000	A	HP Non-Bleed	Partial	33.0*	24.5	21.5	TR	90

* Overall height. Actual height of case is 30".

Specifications: Cased R-22 Horizontal Flat Coil

Model Number	Nominal Cap.Clg. (BTUH)	Coil Type	TXV Type	Cased	Uncrated Dimensions(in.)			Mfg. Plant	Shipping Weight
					H	W	D		
2TXFH018AS3HHA①	18,000	Flat	HP Non-Bleed	Full	22	10	28	FS	40
2TXFH033AS3HHA	34,000	Flat	HP Non-Bleed	Full	22	10	28	FS	46
2TXFH041AS3HHA	44,000	Flat	HP Non-Bleed	Full	22	10	37	FS	56
2TXFH054AS3HHA	58,000	Flat	HP Non-Bleed	Full	22	10	37	FS	64
2TXFH063AS3HHA	61,000	Flat	HP Non-Bleed	Full	28	10	37	FS	79

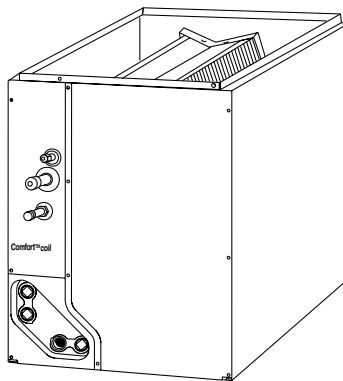
Specifications: Cased R-410A Horizontal Flat Coil

Model Number	Nominal Cap.Clg. (BTUH)	Coil Type	TXV Type	Cased	Uncrated Dimensions(in.)			Mfg. Plant	Shipping Weight
					H	W	D		
4TXFH018AS3HHA①	18,000	Flat	HP Non-Bleed	Full	22.0	10.0	28.0	FS	40
4TXFH033AS3HHA	34,000	Flat	HP Non-Bleed	Full	22.0	10.0	28.0	FS	46
4TXFH041AS3HHA	44,000	Flat	HP Non-Bleed	Full	22.0	10.0	37.0	FS	56
4TXFH054AS3HHA	58,000	Flat	HP Non-Bleed	Full	22.0	10.0	37.0	FS	64
4TXFH063AS3HHA	61,000	Flat	HP Non-Bleed	Full	28.0	10.0	37.0	FS	79

① 2 - R-22, 4 - R-410A

TXC Comfort™ Coil Features:

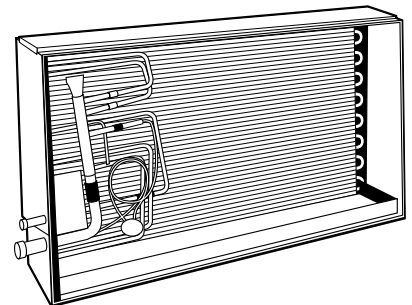
- Split inner and outer doors for easy coil cleaning
- Double sloped non corrosive drain pans- UL Rated 400°F
- Suction pressure service port
- 100% foil lined insulation
- Easy case attachment to furnace
- 3 way application
- Painted cabinet matches furnace
- Copper tube and Aluminum fin
- **5 Year limited parts warranty on all coils**



TXC-S

TXF Features:

- Bi-directional airflow
- Sloped non corrosive drain pan
- HP TXV with mechanical fittings
- Painted cabinet
- Copper tube and Aluminum fin





2, 3, 4, & 5 Ton
Cased Upflow/
Downflow/Horizontal
Left

**High Efficiency
Comfort™ Coils
R-410A — Split
System
Heat Pump/
Cooling Coils**

Specifications: R-410A Refrigerant — Cased Coils Upflow/Downflow/Horizontal Left

Model Number	Nominal Cap.Clg. (BTUH)	Coil Type	TXV Type	Cased	Uncrated Dimensions(in.)			Recomm Suction Line	Mfg. Plant	Shipping Weight
					H	W	D			
RXC025S3HPD	24,000	A	HP Non-Bleed	Full	17.5	17.5	21.0	5/8"	TR	39
RXC031S3HPC	30,000	A	HP Non-Bleed	Full	22.5	17.5	21.0	3/4"	TR	54
RXC036S3HPD	36,000	A	HP Non-Bleed	Full	26.88	17.5	21.0	3/4"	TR	67
RXC037S3HPD	36,000	A	HP Non-Bleed	Full	26.88	21.0	21.0	3/4"	TR	70
RXC054S3HPC	54,000	A	HP Non-Bleed	Full	30.0	21.0	21.0	7/8"	TR	73
RXC061S3HPC	60,000	A	HP Non-Bleed	Full	30.0	24.5	21.0	7/8"	TR	77
RXC065S3HPC	60,000	A	HP Non-Bleed	Partial	33.0**	24.5	21.0	7/8"	TR	94

** Overall height. Actual height of case is 30". Downflow application of RXC065 requires field fabrication of case extension shown in the Installer's Guide.

RXC Comfort™ Coil Features:

- Refrigerant R-410A only
- Split inner and outer doors for easy coil cleaning
- Double sloped non corrosive drain pans – UL Rated 400°F
- 5 Year limited parts warranty
- Suction pressure service port
- 100% foil lined insulation
- Easy case attachment to furnace
- 3 way application
- Painted cabinet matches furnace

Specifications: R-410A Refrigerant — Brazed Uncased Coils

Model Number	Nominal Cap.Clg. (BTUH)	Coil Type	TXV Type	Cased	Uncrated Dimensions(in.)			Recomm Suction Line	Mfg. Plant	Shipping Weight
					H	W	D			
RXA060S3HPC	60,000	A	HP Non-Bleed	None	28.0	19.5	19.5	7/8"	TR	46
RXA061S3HPC	60,000	A	HP Non-Bleed	None	27.0	23.0	19.5	7/8"	TR	47

RXA Comfort™ Coil Features:

- Double sloped non-corrosive drain pan — UL Rated 400°F
- Suction pressure service port
- Easy access service panels
- 5 Year limited parts warranty

Note: RXC, RXA and RXH series coils include a reducing coupling to accept the smaller interconnecting suction line tubing recommended with R-410A systems.

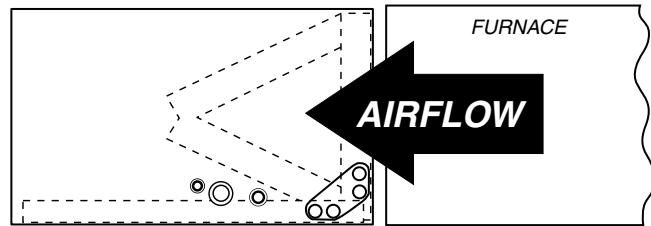
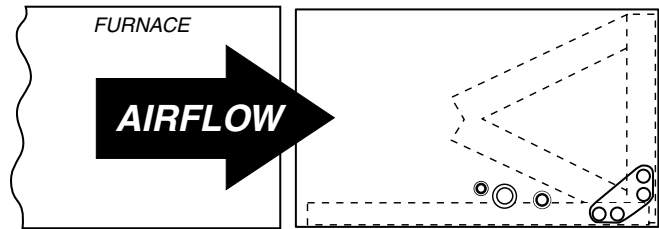
Specifications: Reversible, Cased Coils R-22

Model Number	Nominal Cap.Clg. Coil (BTUH)	TXV Type	Cased	Uncrated Dimensions(in.)			Mfg. Plant	Shipping Weight	Maximum Cooling (CFM*)
				H	W	D			
2TXCA024AC3HMA	24,000	A	Full	30.0	14.5	21.5	TR	42	1000
2TXCB036AC3HMA	36,000	A	Full	30.0	17.5	21.5	TR	50	1200

* Water Blowoff may occur if Maximum Cooling airflow is exceeded.

Features:

- Bi-Directional Airflow
- Same side service access for Horizontal Right or Left applications
- Eliminates need for field installed Horizontal Drip Tray!!!
- Fully Convertible - Upflow, Downflow, Left or Right
- Heat Pump and Cooling Compatible
- Suction service port
- 100% foil lined insulation
- Split inner and outer doors for easy coil cleaning
- Double sloped non-corrosive drain pan - UL rated 400°F
- Non-Bleed TXV with mechanical fittings
- Copper tube and Aluminum fin
- **5 year limited parts warranty on all coils**





1-1/2 — 10 Ton Cased Upflow/ Downflow/Horizontal Left

Comfort™ Coils Split System Heat Pump/ Cooling Coils

Specifications: R-22 Cased Coil Convertible Upflow/Downflow/Horizontal Left

Model Number	Nominal Cap.Clg. (BTUH)	Coil Type	TXV Type	Cased	Uncrated Dimensions(in.)			Mfg. Plant	Shipping Weight
					H	W	D		
2TXCA018AC3HCA	18,000	A	HP Non-Bleed	Full	17.6	14.5	21.5	TR	34
2TXCA024AC3HCA	24,000	A	HP Non-Bleed	Full	22.6	14.5	21.5	TR	37
2TXCB025AC3HCA	24,000	A	HP Non-Bleed	Full	17.6	17.5	21.5	TR	42
2TXCB031AC3HCA	30,000	A	HP Non-Bleed	Full	17.6	17.5	21.5	TR	46
2TXCB036AC3HCA	36,000	A	HP Non-Bleed	Full	22.6	17.5	21.5	TR	54
2TXCC037AC3HCA	37,000	A	HP Non-Bleed	Full	22.6	21.0	21.5	TR	53
2TXCB042AC3HCA	42,000	A	HP Non-Bleed	Full	22.6	17.5	21.5	TR	59
2TXCC043AC3HCA	43,000	A	HP Non-Bleed	Full	22.6	21.0	21.5	TR	56
2TXCB048AC3HCA	48,000	A	HP Non-Bleed	Full	26.9	17.5	21.5	TR	71
2TXCC049AC3HCA	48,000	A	HP Non-Bleed	Full	26.9	21.0	21.5	TR	67
2TXCD050AC3HCA	48,000	A	HP Non-Bleed	Full	26.9	24.5	21.5	TR	77
2TXCC060AC3HCA	60,000	A	HP Non-Bleed	Full	30.1	21.0	21.5	TR	74
2TXCD061AC3HCA	60,000	A	HP Non-Bleed	Full	30.1	24.5	21.5	TR	77

Specifications: R-410A Cased Coil Convertible Upflow/Downflow/Horizontal Left

Model Number	Nominal Cap.Clg. (BTUH)	Coil Type	TXV Type	Cased	Uncrated Dimensions(in.)			Mfg. Plant	Shipping Weight
					H	W	D		
4TXCA018AC3HCA	18,000	A	HP Non-Bleed	Full	17.6	14.5	21.5	TR	34
4TXCA024AC3HCA	24,000	A	HP Non-Bleed	Full	22.6	14.5	21.5	TR	37
4TXCB025AC3HCA	24,000	A	HP Non-Bleed	Full	17.6	17.5	21.5	TR	42
4TXCB031AC3HCA	30,000	A	HP Non-Bleed	Full	17.6	17.5	21.5	TR	46
4TXCB036AC3HCA	36,000	A	HP Non-Bleed	Full	22.6	17.5	21.5	TR	54
4TXCC037AC3HCA	37,000	A	HP Non-Bleed	Full	22.6	21.0	21.5	TR	53
4TXCB042AC3HCA	42,000	A	HP Non-Bleed	Full	22.6	17.5	21.5	TR	59
4TXCC043AC3HCA	43,000	A	HP Non-Bleed	Full	22.6	21.0	21.5	TR	56
4TXCB048AC3HCA	48,000	A	HP Non-Bleed	Full	26.9	17.5	21.5	TR	71
4TXCC049AC3HCA	48,000	A	HP Non-Bleed	Full	26.9	21.0	21.5	TR	67
4TXCD050AC3HCA	48,000	A	HP Non-Bleed	Full	26.9	24.5	21.5	TR	77
4TXCC060AC3HCA	60,000	A	HP Non-Bleed	Full	30.1	21.0	21.5	TR	74
4TXCD061AC3HCA	60,000	A	HP Non-Bleed	Full	30.1	24.5	21.5	TR	77

Specifications: Convertible - Brazed - Cased^{②③}

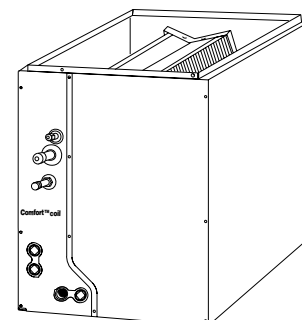
Model Number	Nom. Cap. Cooling (BTUH)	Coil Type	TXV Type	Cased	Uncrated Dimensions (in.)			Mfg. Plant	Shipping Weight
					H	W	D		
TXE120B500C	120,000	Flat	CLG-Bleed	Full	26	25	64	FS	235

② Coils are 3/8" cu/al plate fin.

③ Two circuit cooling coil.

TXC Comfort™ Coil Features:

- HP TXV Mechanical Fittings (2/4 TXC)
- Split inner and outer doors for easy coil cleaning
- Double sloped non corrosive drain pans-UL Rated 400°F
- Suction pressure service port
- 100% foil lined insulation
- Easy case attachment to furnace
- 3 way application
- Painted cabinet matches furnace
- Copper tube Aluminum fin
- **5 year limited parts warranty**



Specifications: Cooling ONLY Cased Coils- Upflow/Downflow R-22

Model Number	Nominal Cap. Clg. (BTUH)	Coil Type	TXV Type	Cased	Uncrated Dimensions(in.)			Mfg. Plant	Shipping Weight
					H	W	D		
2CXCA018AC3CUA*	18,000	A	CLG Non-Bleed	Yes	17.6	14.5	21.5	TR	32
2CXCA024AC3CUA	24,000	A	CLG Non-Bleed	Yes	22.6	14.5	21.5	TR	34
2CXCB025AC3CUA	24,000	A	CLG Non-Bleed	Yes	17.6	17.5	21.5	TR	42
2CXCB031AC3CUA	30,000	A	CLG Non-Bleed	Yes	17.6	17.5	21.5	TR	44
2CXCB036AC3CUA	36,000	A	CLG Non-Bleed	Yes	22.6	17.5	21.5	TR	44
2CXCC037AC3CUA	37,000	A	CLG-Non-Bleed	Yes	22.6	21.0	21.5	TR	53
2CXCB042A33CUA	42,000	A	CLG Non-Bleed	Yes	22.6	17.5	21.5	TR	52
2CXCC043AC3CUA	43,000	A	CLG Non-Bleed	Yes	22.6	21.0	21.5	TR	56
2CXCB048AC3CUA	48,000	A	CLG Non-Bleed	Yes	26.9	17.5	21.5	TR	58
2CXCC049AC3CUA	48,000	A	CLG Non-Bleed	Yes	26.9	21.0	21.5	TR	67
2CXCD050AC3CUA	48,000	A	CLG Non-Bleed	Yes	26.9	24.5	21.5	TR	77
2CXCC060AC3CUA	60,000	A	CLG Non-Bleed	Yes	30.1	21.0	21.5	TR	70
2CXCD061AC3CUA	60,000	A	CLG Non-Bleed	Yes	30.1	24.5	21.5	TR	72

*2 - R22

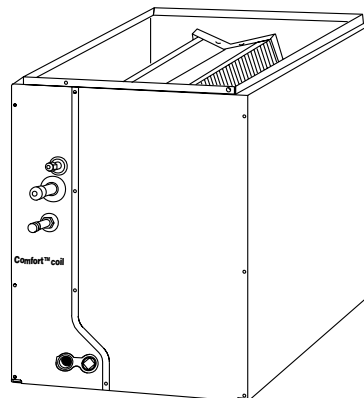
Specifications: Cooling ONLY Cased Coils- Upflow/Downflow R-410A

Model Number	Nominal Cap. Clg. (BTUH)	Coil Type	TXV Type	Cased	Uncrated Dimensions(in.)			Mfg. Plant	Shipping Weight
					H	W	D		
4CXCA018AC3CUA*	18,000	A	CLG Non-Bleed	Yes	17.6	14.5	21.5	TR	32
4CXCA024AC3CUA	24,000	A	CLG Non-Bleed	Yes	22.6	14.5	21.5	TR	34
4CXCB025AC3CUA	24,000	A	CLG Non-Bleed	Yes	17.6	17.5	21.5	TR	42
4CXCB031AC3CUA	30,000	A	CLG Non-Bleed	Yes	17.6	17.5	21.5	TR	44
4CXCB036AC3CUA	36,000	A	CLG Non-Bleed	Yes	22.6	17.5	21.5	TR	44
4CXCC037AC3CUA	37,000	A	CLG-Non-Bleed	Yes	22.6	21.0	21.5	TR	53
4CXCB042A33CUA	42,000	A	CLG Non-Bleed	Yes	22.6	17.5	21.5	TR	52
4CXCC043AC3CUA	43,000	A	CLG Non-Bleed	Yes	22.6	21.0	21.5	TR	56
4CXCB048AC3CUA	48,000	A	CLG Non-Bleed	Yes	26.9	17.5	21.5	TR	58
4CXCC049AC3CUA	48,000	A	CLG Non-Bleed	Yes	26.9	21.0	21.5	TR	67
4CXCD050AC3CUA	48,000	A	CLG Non-Bleed	Yes	26.9	24.5	21.5	TR	77
4CXCC060AC3CUA	60,000	A	CLG Non-Bleed	Yes	30.1	21.0	21.5	TR	70
4CXCD061AC3CUA	60,000	A	CLG Non-Bleed	Yes	30.1	24.5	21.5	TR	72

*4 - R410A

Features:

- Cased and uncased **upflow /downflow cooling only** coils
- Brazed fittings (left side)
- Drain fitting (left side)
- Non-Bleed TXV with mechanical fittings.
- Copper tube with Aluminum fins
- Painted coil case
- Suction pressure service port
- 100% foil lined insulation
- Split inner and outer doors for easy coil cleaning
- **5 Year limited parts warranty**





1-1/2 — 5 Ton Uncased

Split System Upflow / Downflow Cooling Coils

Specifications: Cooling ONLY Uncased Coils- Upflow/Downflow R-22

Model Number	Nominal Cap. (BTUH)	Clg. Type	Coil Type	TXV Type	Cased	Uncrated Dimensions(in.)			Mfg. Plant	Shipping Weight
						H	W	D		
2CXAA018AC3CUA**	18,000	A	CLG	Non-Bleed	No	15.9	13.3	21.1	TR	17
2CXAA024AC3CUA	24,000	A	CLG	Non-Bleed	No	17.6	13.3	21.1	TR	20
2CXAB025AC3CUA	24,000	A	CLG	Non-Bleed	No	15.9	16.3	21.1	TR	21
2CXAB031AC3CUA	30,000	A	CLG	Non-Bleed	No	15.9	16.3	21.1	TR	26
2CXAB036AC3CUA	36,000	A	CLG	Non-Bleed	No	21.2	16.3	21.1	TR	26
2CXAB042AC3CUA	42,000	A	CLG	Non-Bleed	No	21.2	16.3	21.1	TR	31
2CXAB048AC3CUA	48,000	A	CLG	Non-Bleed	No	25.3	16.3	21.1	TR	36
2CXAC037AC3CUA	36,000	A	CLG	Non-Bleed	No	20.8	19.8	21.1	TR	27
2CXAC043AC3CUA	42,000	A	CLG	Non-Bleed	No	20.8	19.8	21.1	TR	32
2CXAC049AC3CUA	48,000	A	CLG	Non-Bleed	No	24.9	19.8	21.1	TR	34
2CXAC060AC3CUA	60,000	A	CLG	Non-Bleed	No	29.1	19.8	21.1	TR	40
2CXAD050AC3CUA	48,000	A	CLG	Non-Bleed	No	25.1	23.3	21.1	TR	37
2CXAD061AC3CUA	60,000	A	CLG	Non-Bleed	No	28.6	23.3	21.1	TR	42

**2- R-22

Specifications: Cooling ONLY Uncased Coils- Upflow/Downflow R-410A

Model Number	Nominal Cap. (BTUH)	Clg. Type	Coil Type	TXV Type	Cased	Uncrated Dimensions(in.)			Mfg. Plant	Shipping Weight
						H	W	D		
4CXAA018AC3CUA**	18,000	A	CLG	Non-Bleed	No	15.9	13.3	21.1	TR	17
4CXAA024AC3CUA	24,000	A	CLG	Non-Bleed	No	17.6	13.3	21.1	TR	20
4CXAB025AC3CUA	24,000	A	CLG	Non-Bleed	No	15.9	16.3	21.1	TR	21
4CXAB031AC3CUA	30,000	A	CLG	Non-Bleed	No	15.9	16.3	21.1	TR	26
4CXAB036AC3CUA	36,000	A	CLG	Non-Bleed	No	21.2	16.3	21.1	TR	26
4CXAB042AC3CUA	42,000	A	CLG	Non-Bleed	No	21.2	16.3	21.1	TR	31
4CXAB048AC3CUA	48,000	A	CLG	Non-Bleed	No	25.3	16.3	21.1	TR	36
4CXAC037AC3CUA	36,000	A	CLG	Non-Bleed	No	20.8	19.8	21.1	TR	27
4CXAC043AC3CUA	42,000	A	CLG	Non-Bleed	No	20.8	19.8	21.1	TR	32
4CXAC049AC3CUA	48,000	A	CLG	Non-Bleed	No	24.9	19.8	21.1	TR	34
4CXAC060AC3CUA	60,000	A	CLG	Non-Bleed	No	29.1	19.8	21.1	TR	40
4CXAD050AC3CUA	48,000	A	CLG	Non-Bleed	No	25.1	23.3	21.1	TR	37
4CXAD061AC3CUA	60,000	A	CLG	Non-Bleed	No	28.6	23.3	21.1	TR	42

**4 - R-410A

Features:

- Uncased upflow /downflow cooling only coils
- Brazed fittings (left side)
- Drain fitting (left side)
- Non-Bleed TXV with mechanical fittings.
- Copper tube with Aluminum fins
- Suction pressure service port
- Split inner for easy coil cleaning
- 5 Year limited parts warranty



2—3 Ton
Aluminum Cased
Upflow/Downflow/
Horizontal

Comfort™ Coils
Reversible
Cased Coils
**Heat Pump/
Cooling Coils**

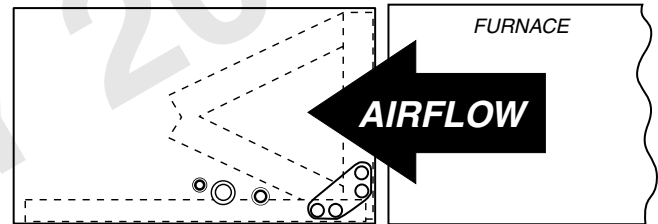
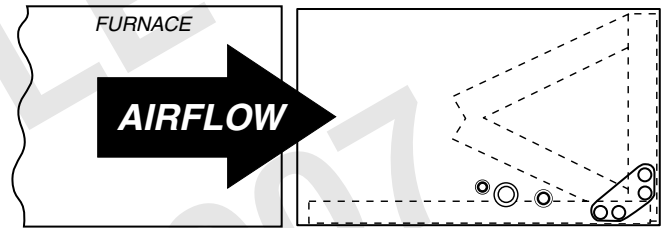
Specifications: Reversible, Cased Coils R-22

Model Number	Nominal Cap.Clg. Coil (BTUH)	TXV Type	Cased	Uncrated Dimensions(in.)			Mfg. Plant	Shipping Weight	Maximum Cooling (CFM*)
				H	W	D			
2TXCA024BC3HMA	24,000	A	HP Non-Bleed Full	30.0	14.5	21.5	TR	42	1000
2TXCB036BC3HMA	36,000	A	HP Non-Bleed Full	30.0	17.5	21.5	TR	50	1200

* Water Blowoff may occur if Maximum Cooling airflow is exceeded.

Features:

- Bi-Directional Airflow
- Same side service access for Horizontal Right or Left applications
- Eliminates need for field installed Horizontal Drip Tray!!!
- Fully Convertible - Upflow, Downflow, Left or Right
- Heat Pump and Cooling Compatible
- Suction service port
- 100% foil lined insulation
- Split inner and outer doors for easy coil cleaning
- Double sloped non-corrosive drain pan - UL rated 400°F
- Non-Bleed TXV with mechanical fittings
- Aluminum tube with aluminum fins
- 5 year limited parts warranty on all coils





1-1/2 — 10 Ton
Aluminum Cased
Upflow/Downflow/
Horizontal Left

Comfort™ Coils
Split System
Heat Pump/
Cooling Coils

Specifications: R-22 Cased Coil Convertible Upflow/Downflow/Horizontal Left

Model Number	Nominal Cap.Clg. (BTUH)	Coil Type	TXV Type	Cased	Uncrated Dimensions(in.)			Mfg. Plant	Shipping Weight
					H	W	D		
2TXCA018BC3HCA	18,000	A	HP Non-Bleed	Full	17.6	14.5	21.5	TR	34
2TXCA024BC3HCA	24,000	A	HP Non-Bleed	Full	22.6	14.5	21.5	TR	37
2TXCB025BC3HCA	24,000	A	HP Non-Bleed	Full	17.6	17.5	21.5	TR	42
2TXCB031BC3HCA	30,000	A	HP Non-Bleed	Full	17.6	17.5	21.5	TR	46
2TXCB036BC3HCA	36,000	A	HP Non-Bleed	Full	22.6	17.5	21.5	TR	54
2TXCC037BC3HCA	37,000	A	HP Non-Bleed	Full	22.6	21.0	21.5	TR	53
2TXCB042BC3HCA	42,000	A	HP Non-Bleed	Full	22.6	17.5	21.5	TR	59
2TXCC043BC3HCA	43,000	A	HP Non-Bleed	Full	22.6	21.0	21.5	TR	56
2TXCB048BC3HCA	48,000	A	HP Non-Bleed	Full	26.9	17.5	21.5	TR	71
2TXCC049BC3HCA	48,000	A	HP Non-Bleed	Full	26.9	21.0	21.5	TR	67
2TXCD050BC3HCA	48,000	A	HP Non-Bleed	Full	26.9	24.5	21.5	TR	77
2TXCC060BC3HCA	60,000	A	HP Non-Bleed	Full	30.1	21.0	21.5	TR	74
2TXCD061BC3HCA	60,000	A	HP Non-Bleed	Full	30.1	24.5	21.5	TR	77

Specifications: R-410A Cased Coil Convertible Upflow/Downflow/Horizontal Left

Model Number	Nominal Cap.Clg. (BTUH)	Coil Type	TXV Type	Cased	Uncrated Dimensions(in.)			Mfg. Plant	Shipping Weight
					H	W	D		
4TXCA018BC3HCA	18,000	A	HP Non-Bleed	Full	17.6	14.5	21.5	TR	34
4TXCA024BC3HCA	24,000	A	HP Non-Bleed	Full	22.6	14.5	21.5	TR	37
4TXCB025BC3HCA	24,000	A	HP Non-Bleed	Full	17.6	17.5	21.5	TR	42
4TXCB031BC3HCA	30,000	A	HP Non-Bleed	Full	17.6	17.5	21.5	TR	46
4TXCB036BC3HCA	36,000	A	HP Non-Bleed	Full	22.6	17.5	21.5	TR	54
4TXCC037BC3HCA	37,000	A	HP Non-Bleed	Full	22.6	21.0	21.5	TR	53
4TXCB042BC3HCA	42,000	A	HP Non-Bleed	Full	22.6	17.5	21.5	TR	59
4TXCC043BC3HCA	43,000	A	HP Non-Bleed	Full	22.6	21.0	21.5	TR	56
4TXCB048BC3HCA	48,000	A	HP Non-Bleed	Full	26.9	17.5	21.5	TR	71
4TXCC049BC3HCA	48,000	A	HP Non-Bleed	Full	26.9	21.0	21.5	TR	67
4TXCD050BC3HCA	48,000	A	HP Non-Bleed	Full	26.9	24.5	21.5	TR	77
4TXCC060BC3HCA	60,000	A	HP Non-Bleed	Full	30.1	21.0	21.5	TR	74
4TXCD061BC3HCA	60,000	A	HP Non-Bleed	Full	30.1	24.5	21.5	TR	77

Specifications: Convertible - Brazed - Cased^{②③}

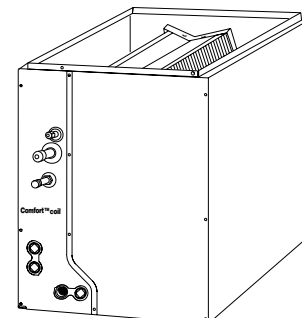
Model Number	Nom. Cap. Cooling (BTUH)	Coil Type	TXV Type	Cased	Uncrated Dimensions (in.)			Mfg. Plant	Shipping Weight
					H	W	D		
TXE120B500C	120,000	Flat	CLG-Bleed	Full	26	25	64	FS	235

② Coils are 3/8" cu/al plate fin.

③ Two circuit cooling coil.

TXC Comfort™ Coil Features:

- HP TXV Mechanical Fittings (2/4 TXC)
- Split inner and outer doors for easy coil cleaning
- Double sloped non corrosive drain pans-UL Rated 400°F
- Suction pressure service port
- Aluminum tube with aluminum fins
- 100% foil lined insulation
- Easy case attachment to furnace
- 3 way application
- Painted cabinet matches furnace
- **5 year limited parts warranty**



Specifications: Cooling ONLY Cased Coils- Upflow/Downflow R-22

Model Number	Nominal Cap. Clg. (BTUH)	Coil Type	TXV Type	Cased	Uncrated Dimensions(in.)			Mfg. Plant	Shipping Weight
					H	W	D		
2CXCA018BC3CUA*	18,000	A	CLG Non-Bleed	Yes	17.6	14.5	21.5	TR	36
2CXCA024BC3CUA	24,000	A	CLG Non-Bleed	Yes	22.6	14.5	21.5	TR	36
2CXCB025BC3CUA	24,000	A	CLG Non-Bleed	Yes	17.6	17.5	21.5	TR	40
2CXCB031BC3CUA	30,000	A	CLG Non-Bleed	Yes	17.6	17.5	21.5	TR	40
2CXCB036BC3CUA	36,000	A	CLG Non-Bleed	Yes	22.6	17.5	21.5	TR	48
2CXCC037BC3CUA	37,000	A	CLG-Non-Bleed	Yes	22.6	21.0	21.5	TR	51
2CXCB042B33CUA	42,000	A	CLG Non-Bleed	Yes	22.6	17.5	21.5	TR	48
2CXCC043BC3CUA	43,000	A	CLG Non-Bleed	Yes	22.6	21.0	21.5	TR	51
2CXCB048BC3CUA	48,000	A	CLG Non-Bleed	Yes	26.9	17.5	21.5	TR	51
2CXCC049BC3CUA	48,000	A	CLG Non-Bleed	Yes	26.9	21.0	21.5	TR	55
2CXCD050BC3CUA	48,000	A	CLG Non-Bleed	Yes	26.9	24.5	21.5	TR	59
2CXCC060BC3CUA	60,000	A	CLG Non-Bleed	Yes	30.1	21.0	21.5	TR	69
2CXCD061BC3CUA	60,000	A	CLG Non-Bleed	Yes	30.1	24.5	21.5	TR	72

*2 - R22

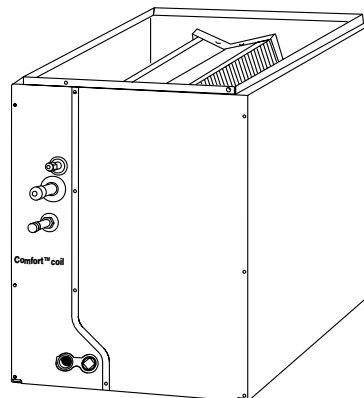
Specifications: Cooling ONLY Cased Coils- Upflow/Downflow R-410A

Model Number	Nominal Cap. Clg. (BTUH)	Coil Type	TXV Type	Cased	Uncrated Dimensions(in.)			Mfg. Plant	Shipping Weight
					H	W	D		
4CXCA018BC3CUA*	18,000	A	CLG Non-Bleed	Yes	17.6	14.5	21.5	TR	36
4CXCA024BC3CUA	24,000	A	CLG Non-Bleed	Yes	22.6	14.5	21.5	TR	36
4CXCB025BC3CUA	24,000	A	CLG Non-Bleed	Yes	17.6	17.5	21.5	TR	40
4CXCB031BC3CUA	30,000	A	CLG Non-Bleed	Yes	17.6	17.5	21.5	TR	40
4CXCB036BC3CUA	36,000	A	CLG Non-Bleed	Yes	22.6	17.5	21.5	TR	48
4CXCC037BC3CUA	37,000	A	CLG-Non-Bleed	Yes	22.6	21.0	21.5	TR	51
4CXCB042B33CUA	42,000	A	CLG Non-Bleed	Yes	22.6	17.5	21.5	TR	48
4CXCC043BC3CUA	43,000	A	CLG Non-Bleed	Yes	22.6	21.0	21.5	TR	51
4CXCB048BC3CUA	48,000	A	CLG Non-Bleed	Yes	26.9	17.5	21.5	TR	51
4CXCC049BC3CUA	48,000	A	CLG Non-Bleed	Yes	26.9	21.0	21.5	TR	55
4CXCD050BC3CUA	48,000	A	CLG Non-Bleed	Yes	26.9	24.5	21.5	TR	59
4CXCC060BC3CUA	60,000	A	CLG Non-Bleed	Yes	30.1	21.0	21.5	TR	69
4CXCD061BC3CUA	60,000	A	CLG Non-Bleed	Yes	30.1	24.5	21.5	TR	72

*4 - R410A

Features:

- Cased and uncased **upflow /downflow cooling only** coils
- Brazed fittings (left side)
- Drain fitting (left side)
- Non-Bleed TXV with mechanical fittings.
- Painted coil case
- Suction pressure service port
- 100% foil lined insulation
- Split inner and outer doors for easy coil cleaning
- Aluminum tube with aluminum fins
- **5 Year limited parts warranty**





1-1/2 — 5 Ton Aluminum Uncased

Split System Upflow / Downflow Cooling Coils

Specifications: Cooling ONLY Uncased Coils- Upflow/Downflow R-22

Model Number	Nominal Cap. (BTUH)	Clg. Type	Coil Type	TXV Type	Cased	Uncrated Dimensions(in.)			Mfg. Plant	Shipping Weight
						H	W	D		
2CXAA018BC3CUA**	18,000	A	CLG	Non-Bleed	No	15.9	13.3	21.1	TR	21
2CXAA024BC3CUA	24,000	A	CLG	Non-Bleed	No	17.6	13.3	21.1	TR	21
2CXAB025BC3CUA	24,000	A	CLG	Non-Bleed	No	15.9	16.3	21.1	TR	24
2CXAB031BC3CUA	30,000	A	CLG	Non-Bleed	No	15.9	16.3	21.1	TR	24
2CXAB036BC3CUA	36,000	A	CLG	Non-Bleed	No	21.2	16.3	21.1	TR	32
2CXAB042BC3CUA	42,000	A	CLG	Non-Bleed	No	21.2	16.3	21.1	TR	32
2CXAB048BC3CUA	48,000	A	CLG	Non-Bleed	No	25.3	16.3	21.1	TR	36
2CXAC037BC3CUA	36,000	A	CLG	Non-Bleed	No	20.8	19.8	21.1	TR	33
2CXAC043BC3CUA	42,000	A	CLG	Non-Bleed	No	20.8	19.8	21.1	TR	33
2CXAC049BC3CUA	48,000	A	CLG	Non-Bleed	No	24.9	19.8	21.1	TR	38
2CXAC060BC3CUA	60,000	A	CLG	Non-Bleed	No	29.1	19.8	21.1	TR	44
2CXAD050BC3CUA	48,000	A	CLG	Non-Bleed	No	25.1	23.3	21.1	TR	39
2CXAD061BC3CUA	60,000	A	CLG	Non-Bleed	No	28.6	23.3	21.1	TR	45

**2- R-22

Specifications: Cooling ONLY Uncased Coils- Upflow/Downflow R-410A

Model Number	Nominal Cap. (BTUH)	Clg. Type	Coil Type	TXV Type	Cased	Uncrated Dimensions(in.)			Mfg. Plant	Shipping Weight
						H	W	D		
4CXAA018BC3CUA**	18,000	A	CLG	Non-Bleed	No	15.9	13.3	21.1	TR	21
4CXAA024BC3CUA	24,000	A	CLG	Non-Bleed	No	17.6	13.3	21.1	TR	21
4CXAB025BC3CUA	24,000	A	CLG	Non-Bleed	No	15.9	16.3	21.1	TR	24
4CXAB031BC3CUA	30,000	A	CLG	Non-Bleed	No	15.9	16.3	21.1	TR	24
4CXAB036BC3CUA	36,000	A	CLG	Non-Bleed	No	21.2	16.3	21.1	TR	32
4CXAB042BC3CUA	42,000	A	CLG	Non-Bleed	No	21.2	16.3	21.1	TR	32
4CXAB048BC3CUA	48,000	A	CLG	Non-Bleed	No	25.3	16.3	21.1	TR	36
4CXAC037BC3CUA	36,000	A	CLG	Non-Bleed	No	20.8	19.8	21.1	TR	33
4CXAC043BC3CUA	42,000	A	CLG	Non-Bleed	No	20.8	19.8	21.1	TR	33
4CXAC049BC3CUA	48,000	A	CLG	Non-Bleed	No	24.9	19.8	21.1	TR	38
4CXAC060BC3CUA	60,000	A	CLG	Non-Bleed	No	29.1	19.8	21.1	TR	44
4CXAD050BC3CUA	48,000	A	CLG	Non-Bleed	No	25.1	23.3	21.1	TR	39
4CXAD061BC3CUA	60,000	A	CLG	Non-Bleed	No	28.6	23.3	21.1	TR	45

**4 - R-410A

Features:

- Uncased upflow /downflow cooling only coils
- Brazed fittings (left side)
- Drain fitting (left side)
- Non-Bleed TXV with mechanical fittings.
- Suction pressure service port
- Split inner for easy coil cleaning
- Aluminum tube with aluminum fins
- 5 Year limited parts warranty



3 — 5 Ton
Cased Upflow/
Downflow/Horizontal
Left

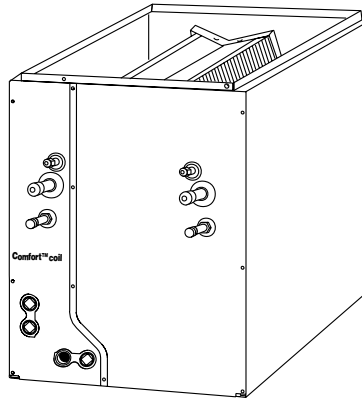
**Comfort™ Coils
Split System II⁺
Dual Circuit
Cooling Coils**

Specifications: Cased Dual Circuit - Cooling Only - Upflow/Downflow/Horizontal Left

Model Number	Nominal Cap.Clg. (BTUH)	Coil Type	TXV Type	Cased	Uncrated Dimensions (in.)			Mfg. Plant	Shipping Weight
					H	W	D		
TXC039E300C	36,000	A	CLG Non-Bleed	Full	30.0	17.5	21.5	TR	69
TXC059E300C	59,000	A	CLG Non-Bleed	Full	30.0	21.0	21.5	TR	73
TXC062E300C	64,000	A	CLG Non-Bleed	Full	30.0	24.5	21.5	TR	79

Features:

- 3 way Application
- Cased **Cooling Only**
- Brazed fittings
- Drain fitting
- Operates as two independent refrigerant systems with one indoor coil and furnace
- Fits 17.5", 21", 24.5" furnace models
- Compatible with all outdoor sections - 34 - 74 MBTUH capacities
- Easy single coil installation
- Offers application flexibility for special customer requirements
- Sloped drain pan
- **5 year limited warranty**





**TFD215-260ALAH
TFD145-245ALFR
TFD14D-24DALFR**

**CleanEffects™
Whole House
Air Cleaner**

Specifications: Air Handler – 24 Volt CleanEffects™ Whole House Air Cleaner

Model Number	Airflow Range	CleanEffects™ Air Handler Width	Uncrated Dimensions(in.)			Mfg. Plant	Shipping Weight
			H	W	D		
TFD215ALAH000A	300-1200	21½ inch	7.5	21.5	21	VI	42
TFD235ALAH000A	350-1600	23½ inch	7.5	23.5	21	VI	44
TFD260ALAH000A	400-2000	26 inch	7.5	26	21	VI	46

Specifications: Upflow / Side Return Furnace – 24 Volt CleanEffects™

Model Number	Airflow Range	CleanEffects™ Air Handler Width	Uncrated Dimensions(in.)			Mfg. Plant	Shipping Weight
			H	W	D		
TFD145ALFR000A	300-1200	14½ inch①	7.5	14.5	27	VI	39
TFD175ALFR000A	300-1600	17½ inch①	7.5	17.5	27	VI	43
TFD210ALFR000A	300-2000	21 inch②	7.5	21	27	VI	47
TFD245ALFR000A	400-2000	24½ inch②	7.5	24.5	27	VI	49

① Side return, No transition required ② Side return, Transition required

Specifications: Downflow Furnace – 24 Volt CleanEffects™

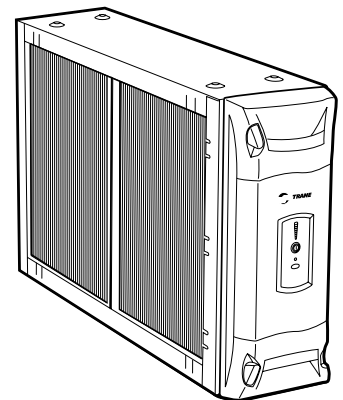
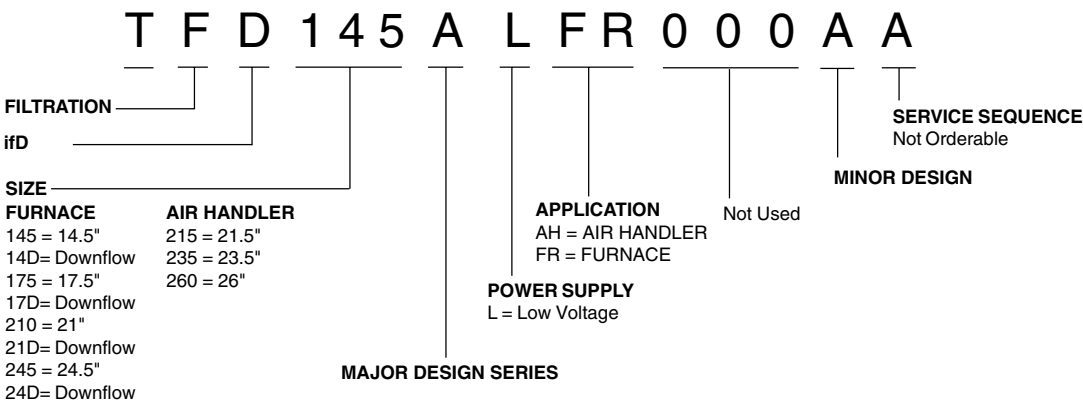
Model Number	Airflow Range	CleanEffects™ Air Handler Width	Uncrated Dimensions(in.)			Mfg. Plant	Shipping Weight
			H	W	D		
TFD14DALFR000A	300-1200	14½ inch	7.5	14.5	21	VI	33
TFD17DALFR000A	300-1600	17½ inch	7.5	17.5	21	VI	37
TFD21DALFR000A	300-2000	21 inch	7.5	21	21	VI	41
TFD24DALFR000A	400-2000	24½ inch	7.5	24.5	21	VI	45

Accessories:

Model Number	Description	Used With	Mfg. Plant	Shipping Weight
BAYTRANS12024	120 to 24 Volt Transformer	All TFD Air Cleaners	VI	6

Features:

- CleanEffects™ removes up to 99.98% of allergens from the filtered air
- Removes particles down to .1 microns in size
- Outperforms HEPA, and up to 100 times more effective than a standard 1" filter
- Constructed of heavy 18 gage metal to protect the filter and internal electronics
- Power door provides easy access to internal components and features a filter status display as well as safety interlocks that automatically shut down the power when the door is opened for maintenance or cleaning
- Designed for flush fit on both sides and rear of equipment cabinet
- No transitions required on CleanEffects™ applications
- Gaskets come with the air cleaner to seal out unwanted air
- 24 Volt input power
- **10 year electronics warranty**
- **5 year parts warranty**





TFD145-260ALUPGRDA TFD14D-24DALUPGRDA

CleanEffects™ Upgrade Kit

Specifications: Air Handler - 24 Volt Clean Effects™ Upgrade Kit

Model Number	Airflow Range	Perfect Fit™ Cabinet Width	Mfg. Plant	Shipping Weight
TFD215ALUPGRDA	300-1200	21-1/2 inch	VI	38
TFD235ALUPGRDA	350-1600	23-1/2 inch	VI	40
TFD260ALUPGRDA	400-2000	26 inch	VI	42

Specifications: Upflow / Side Return Furnace - 24 Volt Clean Effects™ Upgrade Kit

Model Number	Airflow Range	Perfect Fit™ Cabinet Width	Mfg. Plant	Shipping Weight
TFD145ALUPGRDA	300-1200	14-1/2 inch ^①	VI	35
TFD175ALUPGRDA	300-1600	17-1/2 inch ^①	VI	39
TFD210ALUPGRDA	300-2000	21 inch ^②	VI	43
TFD245ALUPGRDA	400-2000	24-1/2 inch ^②	VI	45

① Side return, No transition required
② Side return, Transition required

Specifications: Downlow Furnace - 24 Volt Clean Effects™ Upgrade Kit

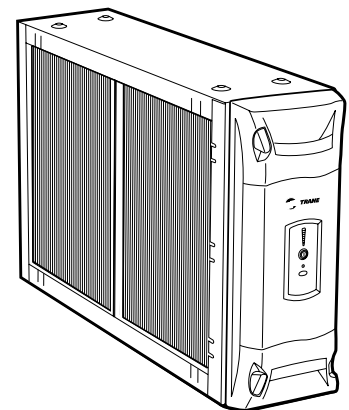
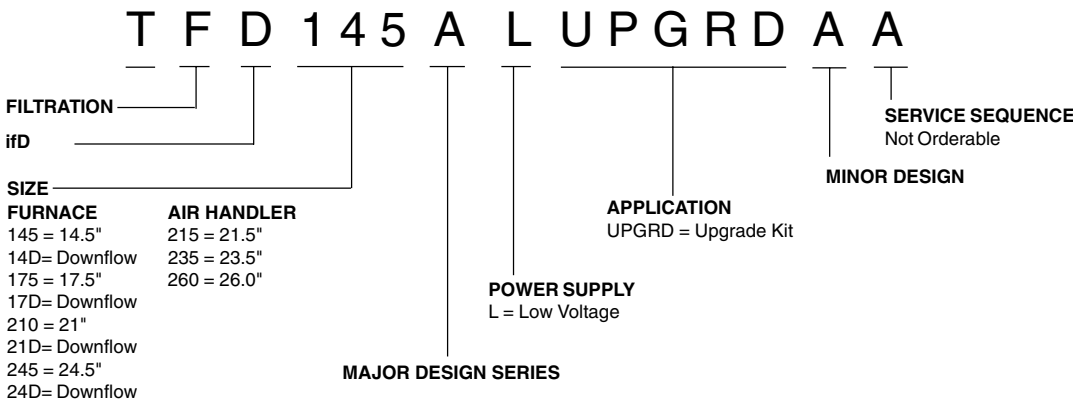
Model Number	Airflow Range	Perfect Fit™ Cabinet Width	Mfg. Plant	Shipping Weight
TFD14DALUPGRDA	300-1200	14-1/2 inch	VI	29
TFD17DALUPGRDA	300-1600	17-1/2 inch	VI	33
TFD21DALUPGRDA	300-2000	21 inch	VI	37
TFD24DALUPGRDA	400-2000	24-1/2 inch	VI	41

Accessories:

Model Number	Description	Used With	Mfg. Plant	Shipping Weight
BAYTRANS12024	120 TO 24 Volt Transformer	All TFD Air Cleaners	VI	6

Features:

- **CleanEffects™** removes up to 99.98% of allergens from the filtered air
- Removes particles down to .1 microns in size
- Outperforms HEPA, and up to 100 times more effective than a standard 1" filter
- Constructed of heavy 18 guage metal to protect the filter and internal electronics
- Fits any "Perfect Fit™" air cleaner cabinet
- Easily convert "Perfect Fit™", TFP, TFM or TFE product to TRANE **CleanEffects™** air cleaner
- Power door provides easy access to internal components and features a filter status display as well as safety interlocks that automatically shut down the power when the door is opened for maintenance or cleaning
- Designed for flush fit on both sides and rear of equipment cabinet
- No transitions required on **CleanEffects™** applications
- Gaskets come with the air cleaner to seal out unwanted air
- 24 Volt input power
- **10 year electronics warranty**
- **5 year parts warranty**





**TFE145-245A9FR
TFE215-260A1AH**

**Perfect Fit™
Electronic
Air Cleaner**

Specifications: Electronic Air Cleaner - Furnace - 120Volt

Model Number	Airflow Range	Perfect Fit™ Furnace Width	Uncrated Dimensions(in.)			Mfg. Plant	Shipping Weight
			H	W	D		
TFE145A9FR3	300-1200	14-1/2 inch①	7.5	14.5	27	TR	44
TFE175A9FR3	300-1500	17-1/2 inch ①	7.5	17.5	27	TR	48
TFE210A9FR3	300-2000	21 inch②	7.5	21	27	TR	54
TFE245A9FR3	400-2200	24-1/2 inch②	7.5	24.5	27	TR	60

Specifications: Electronic Air Cleaner - Air Handlers - 240 Volt

Model Number	Airflow Range	Perfect Fit™ Air Handler Width	Uncrated Dimensions(in.)			Mfg. Plant	Shipping Weight
			H	W	D		
TFE215A1AH3	300-1400	21-1/2 inch	7.5	21.5	21	TR	45
TFE235A1AH3	300-1800	23-1/2 inch	7.5	23.5	21	TR	49
TFE260A1AH3	400-2100	26 inch	7.5	26	21	TR	53

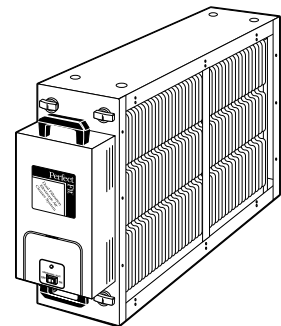
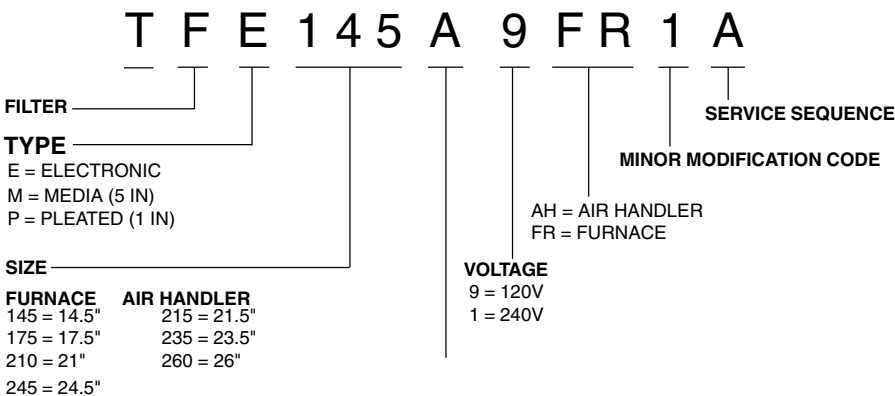
① Side return, No transition required ② Side return, Transition required

Specifications: Electronic Air Cleaner - Air Handlers - 120 Volt

Model Number	Airflow Range	Perfect Fit™ Air Handler Width	Uncrated Dimensions(in.)			Mfg. Plant	Shipping Weight
			H	W	D		
TFE215A9AH3	300-1400	21-1/2 inch	7.5	21.5	21	TR	45
TFE235A9AH3	300-1800	23-1/2 inch	7.5	23.5	21	TR	49
TFE260A9AH3	400-2100	26 inch	7.5	26	21	TR	53

Features:

- No transitions required for **Perfect Fit™** applications. Three sizes allow flush fit with Air Handlers and four sizes allow flush fit bottom return on Furnaces. This allows for easy installation in tight spaces. The TF*175 (17 1/2") model can be used for a Perfect Fit™ side return on furnace models.
- Cabinet case versatility provides three levels of air filtration. All enclosures will accept 1 inch filters, 5 inch filters, or the Electronic Air Cleaner cells. Easily upgrade the media to an electronic model.
- Painted cabinet matches Furnace/Air Handler to enhance matched system appearance.
- Can be easily converted to TRANE **CleanEffects™** whole house technology with Upgrade Kit listed on page IC-2
- **"Air-Tite™"** construction eliminates air leaks, improves air quality and helps keep operating costs low. Gasket is provided to seal air cleaner to indoor unit, keeping out unconditioned and unfiltered air.
- Heavy duty 18 gauge cabinet construction supports Furnace/Air Handler weight. All hardware included.
- Factory installed air flow sensor on all Electronic Air Cleaners models. No additional "Power On" relay or field installed accessory required.
- Fully regulated, solid – state, power supply maintains the collection voltage at its peak, regardless of the input voltage. Soft start brings the collection voltage up gradually - thus reducing the popping noise on start-up.
- Three voltage selections for reducing ozone levels.
- Off/on switch and operation light tells if the air cleaner is on and when high voltage to the cells is present.
- Electronic Air Cleaners for Furnaces use a 120 volt, internally fused, power supply.
- Internally fused power supply for Air Handlers use the Air Handler 240 volt power. No additional electrical circuit is required. A 120 volt, internally fused, power supply model for Air Handlers also available.
- All service and access is from the front of the Electronic Air Cleaners.
- Low pressure drop and high dust holding capacity for media models. Designed to deliver the required system air flow.





TF(P/M)145-245B0FR

**Perfect Fit™
Filter
Enclosures**

Specifications: With 1 inch Medium Efficiency Pleated Filter - Furnace

Model Number	Airflow Range	Perfect Fit™ Furnace Width	Uncrated Dimensions(in.)			Mfg. Plant	Shipping Weight
			H	W	D		
TFP145A0FR1	300-1200	14-1/2 inch①	7.5	14.5	27	VI	17
TFP175A0FR1	300-1500	17-1/2 inch ①	7.5	17.5	27	VI	19
TFP210A0FR1	400-1800	21 inch②	7.5	21.0	27	VI	22
TFP245A0FR1	400-2000	24-1/2 inch②	7.5	24.5	27	VI	25

Specifications: With 5 inch Expandable High Efficiency Media Filter - Upflow Furnaces

Model Number	Airflow Range	Perfect Fit™ Furnace Width	Uncrated Dimensions(in.)			Mfg. Plant	Shipping Weight
			H	W	D		
TFM145B0FR0	300-1200	14-1/2 inch①	7.5	14.5	27	VI	18
TFM175B0FR0	300-1500	17-1/2 inch①	7.5	17.5	27	VI	21
TFM210B0FR0	300-2000	21 inch②	7.5	21.0	27	VI	24
TFM245B0FR0	400-2000	24-1/2 inch②	7.5	24.5	27	VI	27

① Side return, No transition required

② Side return, Transition required

Specifications: With 5 inch Cartridge High Efficiency Media Filter - Downflow Furnaces

Model Number	Airflow Range	Perfect Fit™ Furnace Width	Uncrated Dimensions(in.)			Mfg. Plant	Shipping Weight
			H	W	D		
TFM14DA0FR0	300-1200	14-1/2 inch	7.5	14.5	21	VI	15
TFM17DA0FR0	300-1500	17-1/2 inch	7.5	17.5	21	VI	18
TFM21DA0FR0	300-2000	21 inch	7.5	21.0	21	VI	21
TFM24DA0FR0	400-2000	24-1/2 inch	7.5	24.5	21	VI	24

Features:

- No transitions required for **Perfect Fit™** applications. Four sizes allow flush fit bottom return on Furnaces. This allows for easy installation in tight spaces. The TF*175 (17 1/2") model can be used for a Perfect Fit™ side return on furnace models.
- Cabinet case versatility provides three levels of air filtration. All enclosures will accept 1 inch filters, 5 inch filters, or the Electronic Air Cleaner cells.
- Painted cabinet matches Furnace/Air Handler to enhance matched system appearance.
- Can be easily converted to TRANE **CleanEffects™** whole house technology with Upgrade Kit listed on page IC-2
- **"Air-Tite™"** construction eliminates air leaks, improves air quality and helps keep operating costs low. Gasket is provided to seal air cleaner to indoor unit, keeping out unconditioned and unfiltered air.
- Heavy duty 18 gauge cabinet construction supports Furnace/Air Handler weight. All hardware included.
- Low pressure drop and high dust holding capacity for media models. Designed to deliver the required system air flow.



TF(P/M)215-260B0AH

**Perfect Fit™
Filter
Enclosures**

Specifications: With 1 inch Medium Efficiency Pleated Filter - Air Handlers

Model Number	Airflow Range	Perfect Fit™ Air Handler Width	Uncrated Dimensions(in.)			Mfg. Plant	Shipping Weight
			H	W	D		
TFP215A0AH1	300-1200	21-1/2 inch	7.5	21.5	21	VI	20
TFP235A0AH1	300-1500	23-1/2 inch	7.5	23.5	21	VI	22
TFP260A0AH1	400-1800	26 inch	7.5	26.0	21	VI	24

Specifications: With 5 inch Expandable High Efficiency Media Filter - Air Handlers

Model Number	Airflow Range	Perfect Fit™ Air Handler Width	Uncrated Dimensions(in.)			Mfg. Plant	Shipping Weight
			H	W	D		
TFM215B0AH0	300-1400	21-1/2 inch	7.5	21.5	21	VI	22
TFM235B0AH0	300-1700	23-1/2 inch	7.5	23.5	21	VI	24
TFM260B0AH0	400-2100	26 inch	7.5	26.0	21	VI	25

① Side return, No transition required

② Side return, Transition required

Features:

- No transitions required for **Perfect Fit™** applications. Three sizes allow flush fit with Air Handlers. This allows for easy installation in tight spaces.
- Cabinet case versatility provides three levels of air filtration. All enclosures will accept 1 inch filters, 5 inch filters, or the Electronic Air Cleaner cells. Easily upgrade the media to an electronic model.
- Painted cabinet matches Furnace/Air Handler to enhance matched system appearance.
- Can be easily converted to TRANE **CleanEffects™** whole house technology with Upgrade Kit listed on page IC-2
- “**Air-Tite™**” construction eliminates air leaks, improves air quality and helps keep operating costs low. Gasket is provided to seal air cleaner to indoor unit, keeping out unconditioned and unfiltered air.
- Heavy duty 18 gauge cabinet construction supports Furnace/Air Handler weight. All hardware included.
- Low pressure drop and high dust holding capacity for media models. Designed to deliver the required system air flow.



**BAYFTFR14-24P/M/W
BAYFTAH21-26P/M/W
BAYFRAME145-260A**

**Perfect Fit™
Filter
Accessories**

Accessories: Furnace Enclosure Filters

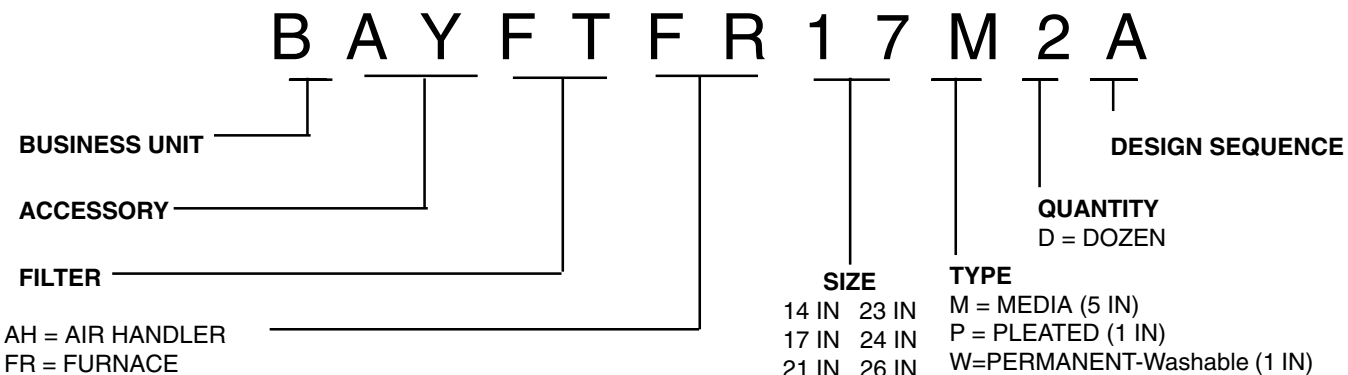
Model Number	Description	Qty	Enclosure Used with	Mfg. Plant	Shipping Weight
BAYFTFR14P4	1" Pleated Filter	4 / Box	14-1/2	TR	3
BAYFTFR17P4	1" Pleated Filter	4 / Box	17-1/2	TR	3
BAYFTFR21P4	1" Pleated Filter	4 / Box	21	TR	3
BAYFTFR24P4	1" Pleated Filter	4 / Box	24-1/2	TR	3
BAYFTFR14M2	5" Cartridge Media Filter	2 / Box	14-1/2	TR	5
BAYFTFR17M2	5" Cartridge Media Filter	2 / Box	17-1/2	TR	5
BAYFTFR21M2	5" Cartridge Media Filter	2 / Box	21	TR	5
BAYFTFR24M2	5" Cartridge Media Filter	2 / Box	24-1/2	TR	6
BAYFRAME145A	5" Media Filter Frame	1 / Box	14-1/2	TR	5
BAYFRAME175A	5" Media Filter Frame	1 / Box	17-1/2	TR	5
BAYFRAME210A	5" Media Filter Frame	1 / Box	21	TR	5
BAYFRAME245A	5" Media Filter Frame	1 / Box	24-1/2	TR	6
BAYFTFREXM2	5" Expandable Media for Frames	2 / Box	14-1/2 - 24-1/2	TR	6

Accessories: Air Handler Enclosure Filters

Model Number	Description	Qty	Enclosure Used with	Mfg. Plant	Shipping Weight
BAYFTAH21P4	1" Pleated Filter	4 / Box	21-1/2	TR	3
BAYFTAH23P4	1" Pleated Filter	4 / Box	23-1/2	TR	3
BAYFTAH26P4	1" Pleated Filter	4 / Box	26	TR	3
BAYFTAH21M2	5" Cartridge Media Filter	2 / Box	21-1/2	TR	5
BAYFTAH23M2	5" Cartridge Media Filter	2 / Box	23-1/2	TR	5
BAYFTAH26M2	5" Cartridge Media Filter	2 / Box	26	TR	6
BAYFRAME215A	5" Media Filter Frame	1 / Box	21-1/2	TR	5
BAYFRAME235A	5" Media Filter Frame	1 / Box	23-1/2	TR	5
BAYFRAME260A	5" Media Filter Frame	1 / Box	26	TR	6
BAYFTAHEXM2	5" Expandable Media for Frames	2 / Box	21-1/2 - 26	TR	5

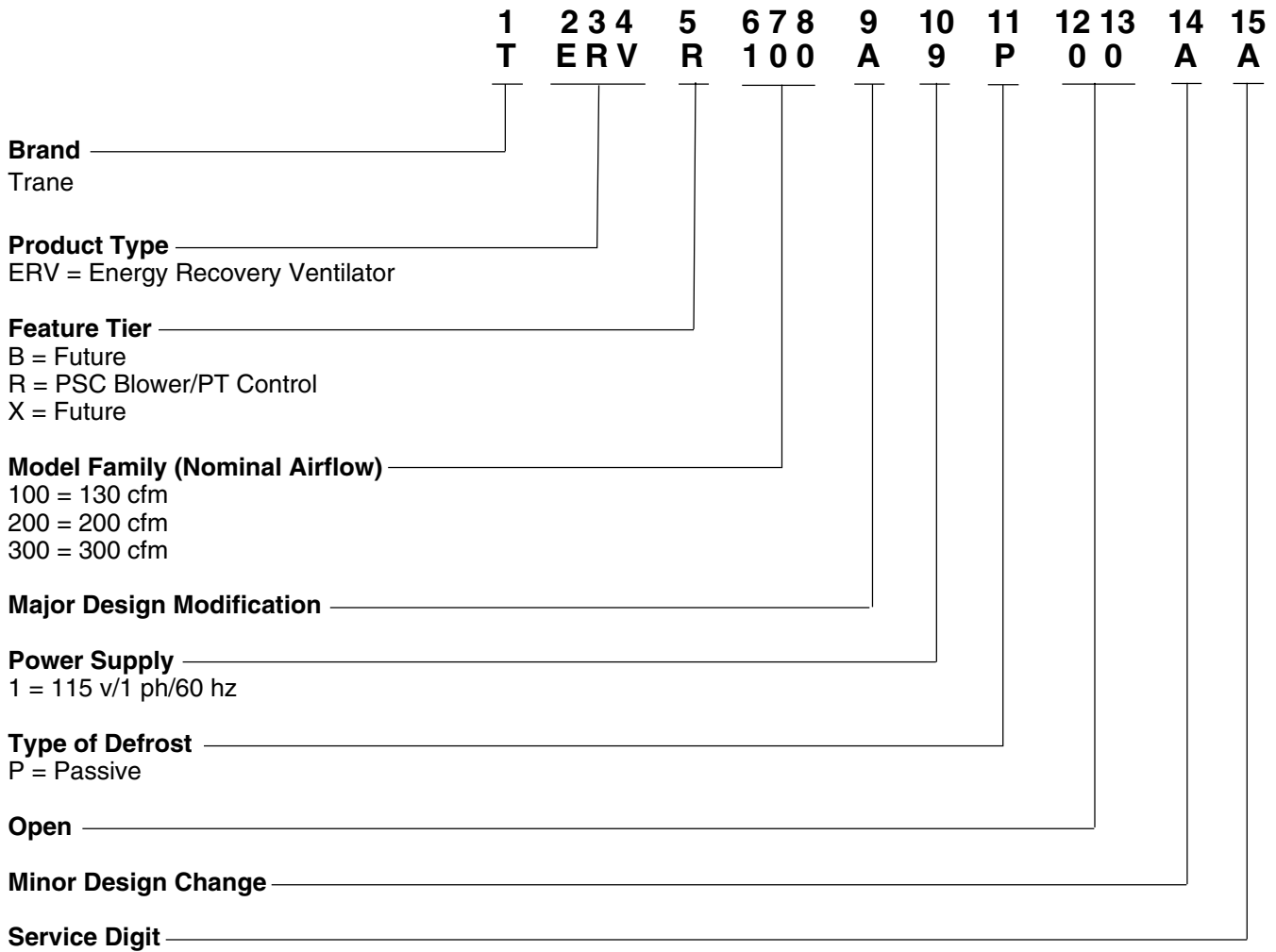
Accessories: 1" Permanent - Washable Filter (Ordered through Parts)

Replacement Part Number	Previous Model Number	Description	Enclosure Used with
FLR03831	BAYFTFR14W1A	1" PERMANENT-Washable	14-1/2
FLR03832	BAYFTFR17W1A	1" PERMANENT-Washable	17-1/2
FLR03833	BAYFTFR21W1A	1" PERMANENT-Washable	21
FLR03834	BAYFTFR24W1A	1" PERMANENT-Washable	24-1/2
FLR03835	BAYFTAH21W1A	1" PERMANENT-Washable	21-1/2
FLR03836	BAYFTAH23W1A	1" PERMANENT-Washable	23-1/2
FLR03837	BAYFTAH26W1A	1" PERMANENT-Washable	26





Energy Recovery Ventilator (ERV) Model Nomenclature





**TERVR100A9P00A
TERVR200A9P00A
TERVR300A9P00A**

**FreshEffects™
Energy Recovery
Ventilator (ERV)**

Specifications: ERV

Model Number	Nominal Airflow (CFM)	Power Supply	Uncrated Dimensions (In.)			Mfg Plant	Shipping Weight
			H	W	D		
TERVR100A9P00A①	130	120/1/60	20-1/8	28-3/4	13	TY	58
TERVR200A9P00A①	200	120/1/60	20-1/8	28-3/4	23-7/8	TY	80
TERVR300A9P00A①②	300	120/1/60	20-1/8	28-3/4	23-7/8	TY	88

① Percent Timer Control included with the ERV

② Available in April 2006

Specifications: ERV

Model Number	Apparent Sensible Effectiveness(32°F)	Sensible Recovery Effectiveness(32°F)	Latent Recovery (32°F)	Total Recovery (32°F)
TERVR100A9P00A	80% @ 120 cfm	84% @ 120 cfm	73% @ 251 cfm	51% @ 63 cfm
TERVR200A9P00A	72% @ 120 cfm	77% @ 120 cfm	64% @ 251 cfm	59% @ 63 cfm
TERVR300A9P00A②	44% @ 120 cfm	63% @ 120 cfm	40% @ 251 cfm	31% @ 252 cfm

② Available in April 2006

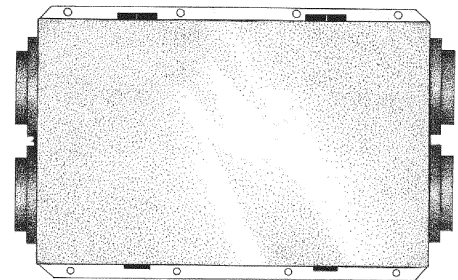
Optional Accessories:

Model Number	Description	Used With	Mfg. Plant	Shipping Weight
TCONTV10APBC0A	Point of Use Push Button Control	ERV models 100, 200, 300	TY	1
BAYFLT10A1010A	Filters - 2 per pack	ERV models 100	TY	1
BAYFLT20A1020A	Filters - 2 per pack	ERV models 200, 300	TY	1
BAYWHT10AVENTA③	6 inch White Vinyl Ventilation Hood	ERV models 100, 200	TY	1
BAYBRN10AVENTA③	6 inch Brown Vinyl Ventilation Hood	ERV models 100, 200	TY	1
BAYGLV10AVENTA③	8 inch Galvanized Ventilation Hood	ERV models 300	TY	2

③ Qty 1

Features:

- **FreshEffects™** ERV technology for all seasons and climates
- Static plate energy transfer core for efficient transfer of heat and moisture
- Passive defrost - condensate drain not required
- Still fan curve - balancing dampers not required
- Multi position mounting
- Percent Timer (PT) control included with ERV for simple, automatic operation
- Optional push button control for use with PT control
- Cam action door latches for quick service access
- Heavy gauge, powder painted steel cabinet
- Permanently lubricated motor bearings (ball bearings)
- 6" and 8" double collar duct connections for TERVR100 and 200
- 8" round compatible duct connection for TERVR300
- Closed cell foam gasketing for insulation integrity
- 1" duct board insulation with cleanable foil face
- May be installed in conditioned and unconditioned spaces
- Cabinet / Door color: Trane Polyslate Gray / Tarpaulin Gray
- **5 year limited warranty on parts**
- **10 year limited warranty on energy transfer core**
- **Optional extended warranty**



Specifications: +1 Add-On Heat Pump Control Kit

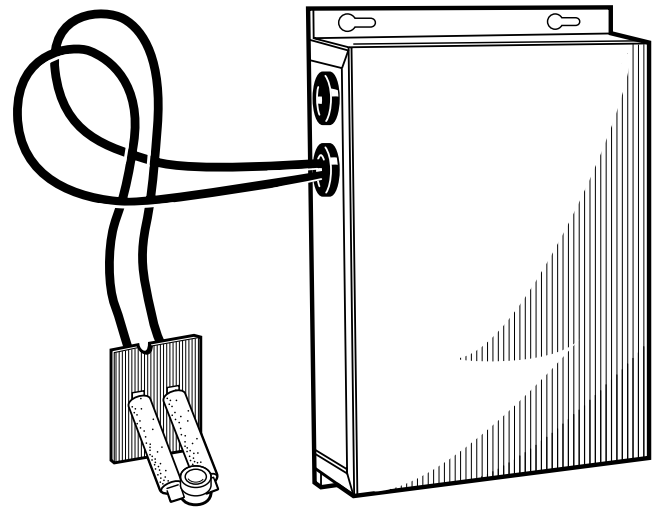
Model Number	Description	Used With	Mfg. Plant	Shipping Weight
TAYPLUS103A	Heat Pump Control Kit	Gas, Oil & Electric Furnaces	TY	3
TAYSTAT250B	Outdoor Thermostat	TAYPLUS103A for Restricted Mode	TY	1
THT1248	Bonnet Switch	Oil Furnaces Only	①	1

① Order From Service Parts.

Features:

+1 Heat Pump Control Kit

- Electrically connect Weathertron Heat Pumps with oil, gas, propane or electric furnaces
- TAYPLUS103A applicable to all furnaces with 35VA or larger low voltage transformer. Separate high voltage power not required
- U.L. listed
- Labeled terminal board for simplified wiring
- Furnace warms air during defrost
- Factory shipped for UNRESTRICTED MODE
- Adjustable TAYSTAT250B outdoor thermostat required for RESTRICTED MODE
- Easy to install; no refrigerant connections



TAYPLUS103A

**THUMD500A
THUMD300A
THUMD200A**

**Humidifiers
Fan Powered
and Bypass**

Specifications: Humidifier with Humidistat

Model Number	Description	Used With	Mfg. Plant	Shipping Weight
THUMD500APA00A ^{①④}	Fan Powered Humidifier	All Furnace Models	TY	1
THUMD300ABA00A ^②	Large Bypass Humidifier	All Furnace Models	TY	1
THUMD200ABM00A ^③	Small Bypass Humidifier	All Furnace Models	TY	1

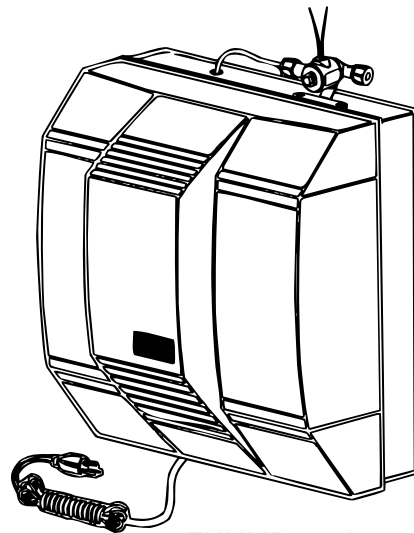
- ① Includes Automatic Humidifier Control (duct mount only)
- ② Includes Automatic Humidifier Control (duct mount only) and 120/24V transformer
- ③ Includes Manual Humidifier Control and 120/24V transformer
- ④ Not applicable for horizontal installations.

Accessories:

Model Number	Description	Used With	Mfg. Plant	Shipping Weight
BAYPAD02A1310A	Large Humidifier Pad 13" x 10"	THUMD500,300A	TY	1
BAYPAD01A1010A	Small Humidifier Pad 9-7/8" x 9-5/8"	THUMD200A	TY	1
TCONTH01AUTOA	Automatic Humidifier Control	THUMD200A	TY	1
BAYRLY10ASENSA	Current Sensing Relay	All	TY	1
BAYPLT01AMHC0A	Adapter Plate (Duct Mount)	Manual Humidifier Control	TY	1

Features: THUMD500A

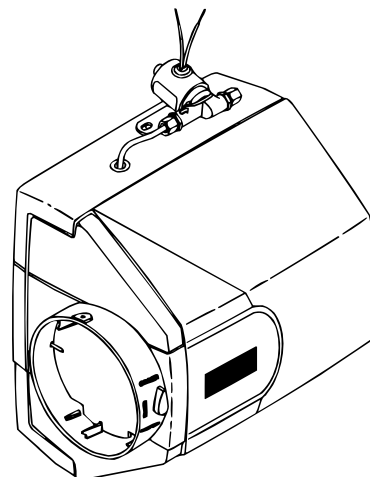
- Flow through fan powered humidifier
- High performance humidifier delivers up to 18 gallons per day
- Humidifies an average home of up to 2100 sqft
- Automatic humidifier control with O.D. sensor for up to 50% more humidity
- Front cover access for easy replacement of humidifier pad.
- Aluminum humidifier pad treated with ceramic clay for enhanced pad performance
- Reliable brass solenoid valve w/stainless steel valve seat
- UV resistant cabinet and scale control insert
- Saddle valve
- Polyslate gray housing matches furnace cabinet color
- 120V power line cord



THUMD500A

Features: THUMD200,300A

- THUMD300A bypass delivers up to 17 gallons per day
- THUMD200A delivers up to 12 gallons per day.
- THUMD300A automatic humidifier control and O.D. sensor for up to 50% more humidity
- THUMD200A manual humidifier control
- UV resistant cabinet and scale control Insert
- Front cover access for easy replacement of humidifier pad.
- Aluminum humidifier pad treated with ceramic clay for enhanced pad performance
- Reliable Brass solenoid valve w/stainless steel valve seat
- Field convertible duct connection, left or right side
- Built in summer / winter damper
- UV resistant cabinet and scalecontrol Insert
- Saddle valve
- Polyslate gray housing matches furnace cabinet color
- 24/120 V transformer



THUMD200A



It's Hard To Stop A Trane.®

Linesets

Specifications: Brazed — Insulated Pipe

Model Number	Gas Line		Liquid Line		Tonages with R-22	Tonages with R-410A	Mfg. Plant	Shipping Weight
	Dia. O.D.	90° Bend	Dia. O.D.	Length				
TAYREFLN115	5/8	One end	1/4	15	1 & 1-1/2		TY	9
TAYREFLN120	5/8	One end	1/4	20	1 & 1-1/2		TY	11
TAYREFLN125	5/8	One end	1/4	25	1 & 1-1/2		TY	13
TAYREFLN130	5/8	One end	1/4	30	1 & 1-1/2		TY	15
TAYREFLN140	5/8	One end	1/4	40	1 & 1-1/2		TY	20
TAYREFLN150	5/8	One end	1/4	50	1 & 1-1/2		TY	28
TAYREFLN215	3/4	One end	5/16	15	2 & 2-1/2	2-1/2	TY	11
TAYREFLN220	3/4	One end	5/16	20	2 & 2-1/2	2-1/2	TY	13
TAYREFLN225	3/4	One end	5/16	25	2 & 2-1/2	2-1/2	TY	15
TAYREFLN230	3/4	One end	5/16	30	2 & 2-1/2	2-1/2	TY	18
TAYREFLN240	3/4	One end	5/16	40	2 & 2-1/2	2-1/2	TY	23
TAYREFLN250	3/4	One end	5/16	50	2 & 2-1/2	2-1/2	TY	32
TAYREFLN315	7/8	One end	3/8	15	3 & 3-1/2	4 & 5	TY	13
TAYREFLN320	7/8	One end	3/8	20	3 & 3-1/2	4 & 5	TY	16
TAYREFLN325	7/8	One end	3/8	25	3 & 3-1/2	4 & 5	TY	20
TAYREFLN330	7/8	One end	3/8	30	3 & 3-1/2	4 & 5	TY	24
TAYREFLN340	7/8	One end	3/8	40	3 & 3-1/2	4 & 5	TY	30
TAYREFLN350	7/8	One end	3/8	50	3 & 3-1/2	4 & 5	TY	39
TAYREFLN415	1-1/8 ^①	One end	3/8	15	4, 5, & 6		TY	13
TAYREFLN420	1-1/8 ^①	One end	3/8	20	4, 5, & 6		TY	16
TAYREFLN425	1-1/8 ^①	One end	3/8	25	4, 5, & 6		TY	20
TAYREFLN430	1-1/8 ^①	One end	3/8	30	4, 5, & 6		TY	24
TAYREFLN440	1-1/8 ^①	One end	3/8	40	4, 5, & 6		TY	30
TAYREFLN450	1-1/8 ^①	One end	3/8	50	4, 5, & 6		TY	39
TAYREFLN515	1/2	One end	1/4	15		1 & 1-1/2	TY	8
TAYREFLN520	1/2	One end	1/4	20		1 & 1-1/2	TY	11
TAYREFLN525	1/2	One end	1/4	25		1 & 1-1/2	TY	13
TAYREFLN530	1/2	One end	1/4	30		1 & 1-1/2	TY	15
TAYREFLN540	1/2	One end	1/4	40		1 & 1-1/2	TY	19
TAYREFLN550	1/2	One end	1/4	50		1 & 1-1/2	TY	26
TAYREFLN615	5/8	One end	5/16	15		2	TY	9
TAYREFLN620	5/8	One end	5/16	20		2	TY	12
TAYREFLN625	5/8	One end	5/16	25		2	TY	15
TAYREFLN630	5/8	One end	5/16	30		2	TY	17
TAYREFLN640	5/8	One end	5/16	40		2	TY	22
TAYREFLN650	5/8	One end	5/16	50		2	TY	29
TAYREFLN715	3/4	One end	3/8	15		3 & 3-1/2	TY	12
TAYREFLN720	3/4	One end	3/8	20		3 & 3-1/2	TY	15
TAYREFLN725	3/4	One end	3/8	25		3 & 3-1/2	TY	19
TAYREFLN730	3/4	One end	3/8	30		3 & 3-1/2	TY	22
TAYREFLN740	3/4	One end	3/8	40		3 & 3-1/2	TY	28
TAYREFLN750	3/4	One end	3/8	50		3 & 3-1/2	TY	35

*Gas line insulation 3/8" thickness.

① Gas line is 7/8 O.D. but expanded out to 1-1/8 on the ends.

Note: Contains a holding charge of Nitrogen.

Specifications:

Model Number	Description	Used With	Mfg. Plant	Shipping Weight
TCONT800AS11AA	XL800 Prog., 7Day, 1Htg/1Clg	All Cooling / Heat Pump	TY	1
TCONT802AS32DA	XL802 Prog., 7Day, 3Htg/2Clg	All Cooling / Heat Pump	TY	1
TCONT803AS32DA	XL803 Prog., 7Day, 3H/2C w/dehumidification	All Cooling / Heat Pump	TY	1
BAYSEN02ATEMPA	Outdoor Temperature Sensor	TCONT800A,802A,803A	TY	1
ZZSENSAL0800AA	Indoor Temperature Sensor	TCONT800A,802A,803A	TY	1
BAYCOVR600AA	Wall Cover Plate XL800,2,3	TCONT800A,802A,803A	TY	1
TCONT600AFA11MA	XL600 Prog., 5/1/1Day, 1Htg/1Clg	All Cooling/Heat Pump	TY	1
TCONT602AFA22MA	XL602 Prog., 5/1/1Day, 2Htg/2Clg	All Cooling/Heat Pump	TY	1
BAYCOVR700AA	Wall Cover Plate XL600,2	TCONT600A,602A	TY	1
TCONT401AN21MA	Electronic, 2 Htg/1 Clg (Non Prog.)	All Cooling/Heat Pump	TY	1
TCONT402AN32DA	Electronic, 3 Htg/2 Clg (Non Prog.)	All Cooling/Heat Pump	TY	1
ZZSENSAL0400AA	Indoor Temperature Sensor	TCONT402AN32DA	TY	1
BAYSEN01ATEMPA	Outdoor Temp. Sensor	TCONT401,402	TY	1
TCONT200AN11A	Electronic, 1Htg/1Clg (Non Prog.)	All Cooling/Gas Models	TY	1
AY28X092	Heat/Cool (Horizontal) Therm.	All Cooling Models	TY	2
BAY28X182①	1-Stage Htg./Clg. Therm.	All Cooling Models	TY	1
BAY28X183①	2-Stage Htg./Clg. Therm.	All Cooling Models	TY	1
BAY28X186①	2-Stage Cooling Only Therm.	All Cooling Models	TY	1
BAY28X184②	Subbase Auto/Manual Changeover	BAY28X183	TY	1
BAY28X185③	Subbase Man. Changeover (E.H.)	BAY28X182,183	TY	1
BAY28X187②	Subbase Auto Changeover	BAY28X182,183,186	TY	1
TAYSTAT241	Manual 2Htg/1Clg	2-Stage Gas/Electric	TY	1
BAYSTAT388	Heating Only, 1-Stage	Furnace Models	TY	1
BAYSTAT303	Heating Only, 1-Stage w/fan switch	Furnace Models	TY	1
BAYSTAT304	Cooling Only, 1-Stage w/fan switch	All Cooling Models	TY	1
BAYSTAT305	Heat/Cool Vertical	All Cooling Models	TY	1
BAYSTAT012②	Man. 1-Stage Htg./2 Clg. w/econ.	All Cooling Models	CK	1
BAYSTAT010A②	Auto. 2-Stage Htg./2 Clg. w/econ.	All Cooling Models	CK	1
BAYSTAT008A②	Man. 1-Stage Htg./1 Clg.	All Cooling Models	CK	1
BAYSTAT040B①	Programmable Thermostat	All Cooling/Heat Pump	CK	1
BAYBASE006A	Subbase, 2Htg./2Clg.	BAYSTAT040B	CK	1
BAYBASE008A	Subbase, 1Htg./1Clg.	BAYSTAT040B	CK	1
BAYSENS033A	Remote Temperature Sensor	BAYSTAT040B	CK	1
BAYSENS034A	Duct Temperature Sensor	BAYSTAT040B	CK	1
BAYSTAT253A	Humidity Control	All Cooling Models	TY	1
BAY24X042②	DPDT Fan and Electric Heat Relay	See note②	TY	1
BAY28X190	Locking Thermostat Cover	Room Thermostats	TY	2
TAYSTAT250B	Outdoor Thermostat	Split System Models	TY	4
BAYSTAT033A	Outdoor Thermostat	Packaged Models	TY	4

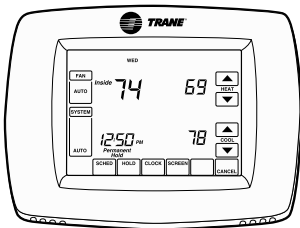
A/M = Automatic or Manual Changeover

① Requires subbase

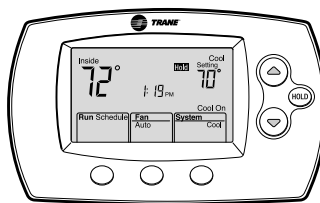
② Requires BAY24X042 relay when used with electric heaters.

③ Specially designed for electric heater applications (instant on fan).

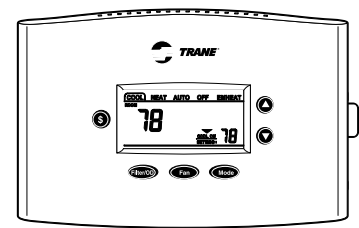
④ Requires BAY24X042 relay when used with oil furnace.



TCONT800A,802A,803A



TCONT600A,602A



TCONT402AN32DA



It's Hard To Stop A Trane.®

Comfort Controls for Heat Pumps

Specifications:

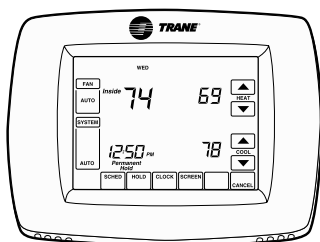
Model Number	Description	Used With	Mfg. Plant	Shipping Weight
TCONT800AS11AA	XL800 Prog., 7Day, 1Htg/1Clg	All Cooling / Heat Pump	TY	1
TCONT802AS32DA	XL802 Prog., 7Day, 3Htg/2Clg	All Cooling / Heat Pump	TY	1
TCONT803AS32DA	XL803 Prog., 7Day, 3H/2C w/dehumidification	All Cooling / Heat Pump	TY	1
BAYSEN02ATEMPA	Outdoor Temperature Sensor	TCONT800A,802A,803A	TY	1
ZZSENSAL0800AA	Indoor Temperature Sensor	TCONT800A,802A,803A	TY	1
BAYCOVR600AA	Wall Cover Plate XL800,2,3	TCONT800A,802A,803A	TY	1
TCONT600AFA11MA	XL600 Prog., 5/1/1Day, 1Htg/1Clg	All Cooling/Heat Pump	TY	1
TCONT602AFA22MA	XL602 Prog., 5/1/1Day, 2Htg/2Clg	All Cooling/Heat Pump	TY	1
BAYCOVR700AA	Wall Cover Plate XL600,2	TCONT600A,602A	TY	1
TCONT402AN32DA	Electronic, 3 Htg/2 Clg (Non Prog.)	All Cooling/Heat Pump	TY	1
ZZSENSAL0400AA	Indoor Temperature Sensor	TCONT402AN32DA	TY	1
TCONT401AN21MA	Electronic, 2 Htg/1 Clg (Non Prog.)	All Cooling/Heat Pump Models	TY	1
BAYSEN01ATEMPA	Outdoor Temp. Sensor	TCONT401,402	TY	1
BAYSTAT040B ^①	Programmable Thermostat	All Cooling/Heat Pump	CK	1
BAYBASE007A	Subbase, 3Htg./2Clg.	BAYSTAT040B	CK	1
BAYSENS033A	Remote Temperature Sensor	BAYSTAT040B	CK	1
BAYSENS034A	Duct Temperature Sensor	BAYSTAT040B	CK	1
BAYSTAT239A	Man. 2 Stg.Htg./1 Clg. Thermostat	All Heat Pump Models	TY	1
BAYSTAT240A	Man. 2 Htg./1 Clg. Delux	All Heat Pump Models	TY	1
BAY28X138A	Auto. 2 Stage Htg./1Stage Clg.	All Heat Pump Models	TY	1
BAY28X153A	Auto. 3 Stg. Htg./2 Stg. Clg.	All Heat Pump Models	TY	1
BAYSTAT253A	Humidity Control	All Heat Pump Models	TY	1
BAY28X190	Locking Thermostat Cover	Room Thermostats	TY	2
TAYSTAT250B	Outdoor Thermostat	Split System Models	TY	4
BAYSTAT033A	Outdoor Thermostat	Packaged Models	TY	4

①Requires subbase

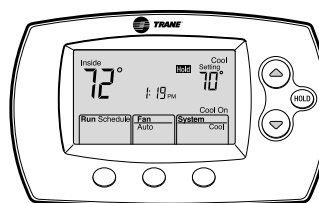
Features:

TCONT800A,802A,803A

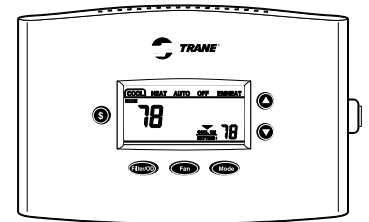
- Easy-to-read, large, clear display with backlighting shows current temperature, set temperature and time
- Touch Screen Interaction allows user to navigate its intuitive menus with ease
- Menu Driven Programming guides the user through the scheduling process, showing only necessary information and choices on each screen
- Ability to select multiple days allows the homeowner to easily customize the comfort control for their unique schedules
- Real-Time Clock keeps time during power failure and automatically updates for daylight savings
- Armchair Programming allows user and installer to remove comfort control from wall to set the schedule (with three AAA batteries installed)
- Multiple HOLD options makes it easy to modify schedule indefinitely or for a specific time period
- IAQ reminders prompt the homeowner to service or replace air filters and humidifier pads
- Programmable fan options (AUTO, ON, and CIRC) increase air quality when combined with a whole-house air cleaner and offers greater options for air circulation
- Outdoor Temperature Indication (optional sensor required) shows outdoor temperature on the display to help you plan outdoor activities



TCONT800A, 802A, 803A

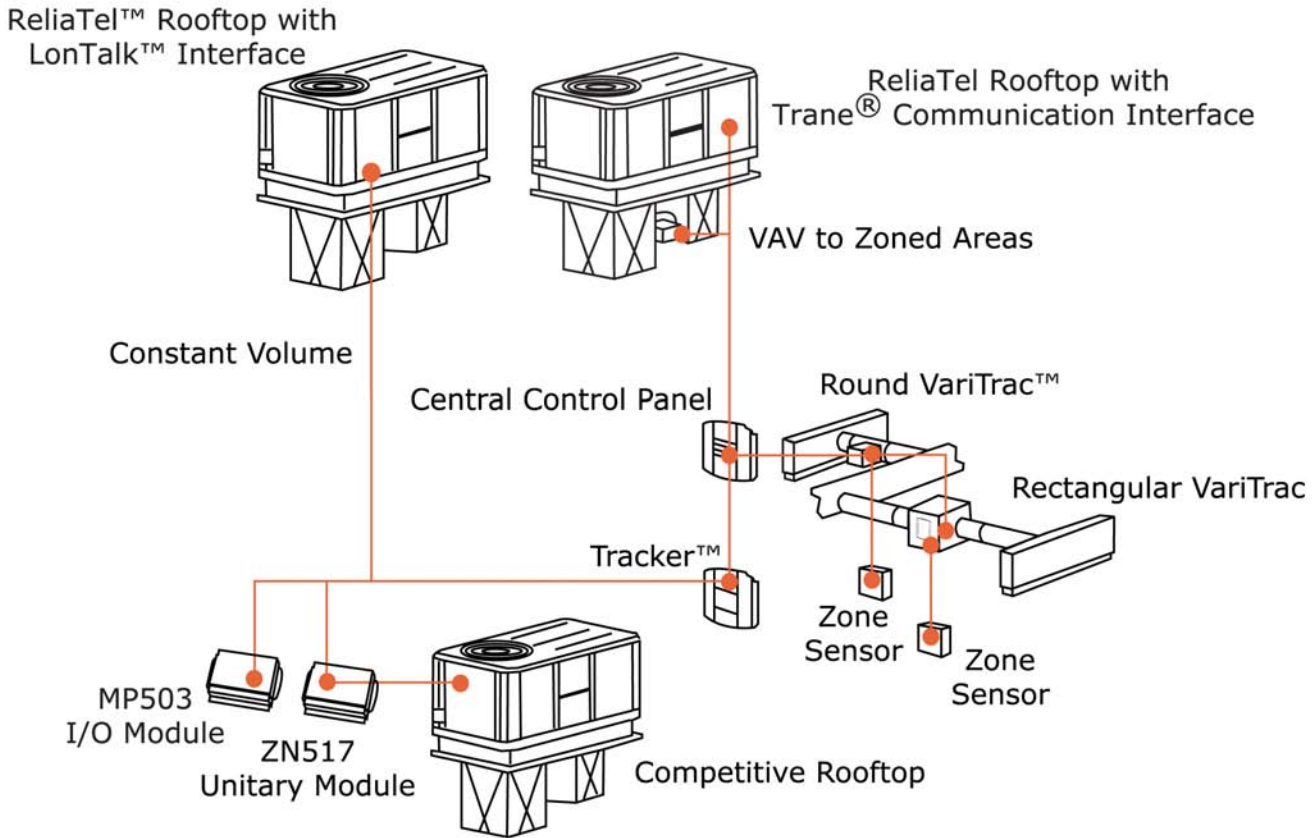


TCONT600A,602A



TCONT402AN32DA

INTEGRATED PACKAGED ROOFTOP SYSTEM





It's Hard To Stop A Trane.®

Tracker

Tracker System CV

Ordering Number	Model System Controllers	Expanded Description
BMTKKBBAA0A110	Tracker 12	Tracker 12 communicates with a maximum of 21 devices: Up to 12 Space Comfort Controllers (SCC) including Voyager and Precedent Rooftop units and ZN517 Unitary Controllers Up to 5 Central Control Panels (CCP) Up to 4 MP503 Multi-Purpose Input/Output controllers
BMTKKBBAA0A210	Tracker 24	Tracker 24 communicates with a maximum of 38 devices: Up to 24 Space Comfort Controllers (SCC) including Voyager and Precedent Rooftop units and ZN517 Unitary Controllers Up to 10 Central Control Panels (CCP) Up to 4 MP503 Multi-Purpose Input/Output controllers
BMTKKBBAB0A110	Tracker 12 w/LAN	The Tracker 12 with Local Area Network (LAN) option is a Tracker 12 with a 10/100 Base-T Ethernet card. The card has a RJ45 external interface (Ethernet connector), on board TCP/IP stack and can be assigned a static IP address or receive a DHCP address (dynamic address from the host server).
BMTKKBBAB0A210	Tracker 24 w/LAN	The Tracker 24 with Local Area Network (LAN) option is a Tracker 24 with a 10/100 Base-T Ethernet card. The card has a RJ45 external interface (Ethernet connector), on-board TCP/IP stack and can be assigned a static IP address or receive a DHCP address (dynamic address from the host server).

Notes:

1. Tracker panels require a LC1/RLCI (LonTalk) comm5 communication card on each Rooftop unit (Tracker does not communicate with TCI comm3/4, VariTrac I & II, Comfort Managers or TCMs).
2. All Tracker System CV panels require a 24 VAC, 50/60 Hz power supply (sold separately).
3. Batteries not required.

MP503 Input/Output Controller

Ordering Number	Model System Controllers	Expanded Description
KBA49500490	MP503 I/O Module	Up to 4 MP503 I/O Modules can be connected to a Tracker panel. MP503 inputs can be monitored, trended or used in binary output programming equations by the Tracker panel.

Notes:

1. MP503 requires a 24 VAC, 50/60 Hz power supply (sold separately)
2. MP503 has a built-in 80 mA, 24 VDC power supply capable of powering 4-20 mA transmitting sensors.

ZN517 Unitary Controller

Ordering Number	Model System Controllers	Expanded Description
KBA49500496	ZN517 Unitary Controller	The ZN517 Unitary Controller provides digital control similar to that of a wall thermostat. It is in a compact enclosure. The ZN517 controller is in accordance with the LonMark® Space Comfort Controller (SCC) profile and can operate as a standalone device or as part of a Tracker light commercial system. ZN517 Unitary Controllers are suitable for the following applications: <ul style="list-style-type: none"> • 2-heat/2-cool rooftop units with optional economizer control • 4-cool rooftop units with optional economizer control • 2-stage heat pumps with optional economizer and auxiliary heat control • Split systems

Notes:

1. ZN517 requires an isolated 24 VAC, 50/60 Hz power supply (sold separately).





It's Hard To Stop A Trane.®

Tracker Universal Accessories

System Specific Accessories

Ordering Number	Model System Controllers	Expanded Description
KBB40201206	Tracker 12 LAN Upgrade10/100	The Tracker 12 LAN Upgrade consists of a new main module with internal modem and Base-T Ethernet card. It allows one Tracker 12 to reside on an Ethernet/IP Local Area Network (LAN). The card has a RJ45 external interface (Ethernet connector), on-board TCP/IP stack and can be assigned a static IP address or receive a DHCP address (dynamic address from the host server).
KBB40201207	Tracker 24 LAN Upgrade	The Tracker 24 LAN Upgrade consists of a new main module with internal modem and 10/100 Base-T Ethernet card. It allows one Tracker 24 to reside on an Ethernet/IP Local Area Network (LAN). The card has a RJ45 external interface (Ethernet connector), on-board TCP/IP stack and can be assigned a static IP address or receive a DHCP address (dynamic address from the host server).
VADISPLAY010	CCP III LCD Only	Operators touch screen display (LCD) for use on Tracker System CB Central Control Panels (CCPs). Display (LCD) can be used to setup, monitor and control equipment and schedule up to four groups of zones with internal seven-day clock.
VARELAYBRD10	CCP III Relay Board	The CCP III Relay Board provides relay contacts for connection to a conventional machine thermostat terminal board (RGYW-0) when the HVAC unit connected to the Central Control Panel (CCP) is NOT a Voyager or Precedent rooftop unit. Mounts in the CCP wiring base.

Universal Accessories/Cables and Adapters

Ordering Number	Model System Controllers	Expanded Description
KBA35914260	RJ12 to RJ12 Interface Cable	The RJ12 to RJ12 Interface Cable is a ten-foot cable with a RJ12 plug on each end used to connect Tracker light commercial system panels to external devices. One end connects directly to the Tracker panel and the other end plugs into the appropriate adapter for connection to the desired device.
KBA35914262	RJ12 to DB9 Female Adapter (PC)	The RJ12 to DB9 Female Adapter is used to connect a RJ12 to RJ12 Interface Cable to a 9-pin serial port on a personal computer. This adapter converts the RJ12 connection on the cable to a 9-pin female connection.

Universal Accessories/Power Transformers

Ordering Number	Model System Controllers	Expanded Description
KBA40200812	24 VDC (500 mA) Power Supply	24 VDC power supply to provide power to 4-20 mA or 0-10 VDC sensors and transmitters up to a combined current of 500 mA. Requires 120 VAC at .4 Amps input.
KBA40200792	24 VDC (100 mA) Power Supply	24 VDC power supply to provide power to 4-20 mA and 0-10 VDC sensors and transmitters up to a combined current of 100 mA. Requires 24 VAC, 10 VA input.
KBA35812021	120/208/240 to 24 VAC, 75 VA (UL Listed)	This transformer has 120/208/240 VAC primary, 24 VAC 75VA secondary, external overload circuit breakers and 18 AWG, 8-inch leads for electrical connection. Mounting options include a 1/2-inch male conduit connection for mounting on a conduit box and feet for mounting on control panels. Pre-wired adapter must be cut off to expose leads for direct connection to controllers.
KBA35812022	120 to 24 VAC, 40 VA (UL Listed)	This transformer has 120 VAC primary, 24 VAC 40 VA secondary, internal current limiting and 18 AWG, 8-inch leads for electrical connection. Mounting options include a 1/2-inch male conduit connection for mounting on a conduit box and feet for mounting on control panels.



Universal Accessories/Binary Input Devices

Ordering Number	Model System Controllers	Expanded Description
KBA41902006	Air Flow Sampling Probe	Use the Air Flow Sampling Probe with a Differential Pressure Air Flow Switch to provide repeatable measurements of static pressure. This probe mounts in a duct and is 6" (152 mm) long with a right angle at its end. It has a bard connection for 1/2" (6 mm) outside diameter plastic tubing.
KBA41905005	Differential Pressure Water Flow Switch with enclosure	The Differential Pressure Water Flow Switch senses the differential pressure of air or liquid. It provides proof of flow for applications such as chiller flow. The range is 8 to 60 psi with a fixed differential of 1.5 psi. It includes SPDT contacts.
KBA41906006	Differential Pressure Air Flow Switch	The Differential Pressure Air Flow Switch senses positive, negative or differential air pressure. The plated housing contains a diaphragm, a calibrating spring and a snap acting SPDT switch. The sampling connections located on each side of the diaphragm accept 1/4-inch (6 mm) outside diameter tubing. This sensor includes a cover to accept 1/2-inch conduit connections. Adjustable from 0.05-inch to 12-inch (1 mm to 47 mm) wg.
KBA41901084	Low Temperature Cutout–Manual Reset	The Low-Temp Cutout–Manual Reset protects hydronic heating and cooling coils from low temperature conditions. It has a 20-foot sensor that attaches across the face of a coil. When one or more feet of the sensor registers a temperature within the 35-45°F (2-7°C) setpoint, the SPDT contact opens. Switch must be manually reset.
KBAX13310270-01	2–135 Amp Current Sensing Switch	The 2–135 Amp Current Sensing Switch monitors the status of fans or pumps. It includes a solid state current sensing circuit and an AC/DC output switch with setpoint adjustment, output status LED, and sensor power LED. The device usually mounts in a starter motor enclosure using the multi position-mounting bracket included. Two screw terminal connections are provided for low voltage wiring to a binary input. This device requires no external power. Output rating is .5 Amps at 24 VAC/DC.

Universal Accessories/Temperature Sensors

Ordering Number	Model System Controllers	Expanded Description
KBA41901087	Zone Temperature Sensor	This Zone Temperature Sensor consists of a thermistor on a mounting base (suitable for mounting on any flat surface), plastic cover with Trane logo and a wiring terminal strip).
KBA41901088	With On, Cancel & Communication Port	This Zone Temperature Sensor consists of a thermistor on a mounting base (suitable for mounting on any flat surface), plastic cover with Trane logo, integral after-hours timed override On and Cancel buttons, wiring terminal strip, and RJ12 communication port.
KBA41901094	With Setpoint Adjustment & Communication Port	This Zone Temperature Sensor consists of a thermistor on a mounting base (suitable for mounting on any flat surface), plastic cover with Trane logo and zone setpoint adjustment knob, wiring terminal strip and RJ12 communication port.
KBA41901090	With On, Cancel, Setpoint Adjustment & Communication Port	This Zone Temperature Sensor consists of a thermistor on a mounting base (suitable for mounting on any flat surface), plastic cover with Trane logo and zone setpoint adjustment knob, integral after-hours timed override On and Cancel buttons, wiring terminal strip and RJ12 communication port.
KBA41901132	Duct/Immersion Sensor	This thermistor monitors duct or water temperature. If used to monitor water temperature, the sensor requires an immersion well. Shipped with a 1/2-inch MNPT well fitting.
KBA41901129	Duct Sensor	This thermistor monitors duct temperature. It has 6-foot plenum rated wire leads.
KBA41901101	Outside Air Sensor	Sealed thermistor designed to mount outdoors on a 1/2-inch conduit
KBA41907015	Stainless Steel, Flush Wall Mount Sensor	The Stainless Steel Flush Mount Wall Temperature Sensor provides indoor zone temperature sensing. It mounts directly to a wall or junction box and has an insulated back to reduce temperature effects from the mounting surface. Ideal for locations where tampering, vandalism or damage to an ordinary wall sensor might exist.
KBA41901091	Wall Plate	Plastic backplate that fits behind all room mounted zone temperature and humidity sensors. Covers up to 4-inch x 4-inc (102 mm x 102 mm) electrical boxes.
KBA41901108	Stainless Steel Immersion Well	Solid stainless steel immersion well with overall length of 4.25 inches (108 mm), extension length of 2.5 inches (63 mm) and extension diameter of 1/2 inch (13 mm). Connections are 1/2-inch external MNPT threads and 1/2-inch internal FNPT threads for sensor insertion.

Universal Accessories/Temperature Sensors (continued)

Ordering Number	Model System Controllers	Expanded Description
KBA41901104	Brass Immersion Well	Solid brass immersion well with overall length of 4.25 inches (108 mm), extension length of 2.5 inches (63 mm) and extension diameter of 1/2 inch (13 mm). Connections are 1/2-inch external MNPT threads and 1/2-inch internal FNPT threads for sensor insertion.
KBA41901123	6-Foot Duct Averaging Temp Sensor	The 6-foot (2 m) Duct Averaging Temperature Sensor consists of 4 thermistors in a flexible, plenum rated cable that act as a single sensor.
KBA41901122	20-Foot Duct Averaging Temp Sensor	The 20' (6.1 m) Duct Averaging Temperature Sensor consists of 4 thermistors in a flexible, plenum rated cable that act as a single sensor

Universal Accessories/Humidity and CO2 sensors

Ordering Number	Model System Controllers	Expanded Description
KBA41907019	3% Room Relative Humidity Sensor	The 3% Room Relative Humidity and Temperature Sensor is a combination relative humidity sensor with accuracy of +/- 3% from 20-95% relative humidity and a 10K @ 77°F thermistor. The sensors are on a mounting base (suitable for mounting on any flat surface), have a plastic cover with Trane logo, require a 24 VDC power supply and include a wiring strip with separate output terminals for each sensor.
KBA41907018	5% Room Relative Humidity Sensor	The 5% Room Relative Humidity and Temperature Sensor is a combination relative humidity sensor with accuracy of +/- 5% from 20-95% relative humidity and a 10K @ 77°F thermistor. The sensors are on a mounting base (suitable for mounting on any flat surface), have a plastic cover with Trane logo, require a 24 VDC power supply and include a wiring strip with separate output terminals for each sensor.
KBA41904100	Room Carbon Dioxide (CO2) Sensor	Sensor in wall mount enclosure that measures Carbon Dioxide (CO2) levels in building zones within a range of 0-2000 parts per million (ppm). Output is selectable between 4-20 mA or 0-10 VDC. Requires 24 VAC or 24 VDC power.
KBA41904101	Duct Carbon Dioxide (CO2) Sensor	Direct sampling duct sensor that measures Carbon Dioxide (CO2) levels in building zones within a range of 0-2000 parts per million (ppm). Output is selectable between 4-20 mA or 0-10 VDC. Requires 24 VAC or 24 VDC power

Universal Accessories/Output Relays

Ordering Number	Model System Controllers	Expanded Description
KBA34303017	24 VAC/SPDT Relay	The 24 VAC/SPDT Relay is a general purpose switching relay. An enclosure may be required for this relay to meet electrical codes. Connections are 1/4-inch (6 mm) quick connects. Use this relay as a pilot relay for binary outputs that require higher contact ratings than TCM or MP503 outputs provide. TCM and MP503 binary outputs are rated at 24 VAC, 1 Amp, 24 VA pilot duty. The coil rating for this voltage relay is 4.0 VA inrush, 3.0 VA sealed. Contact rating is: 125 VAC: 12 FLA, 60 LRA 250 VAC: 8 FLA, 48 LRA 277 VAC: 7 FLA, 42 LRA
KBA34303020	24 VAC/SPDT Relay with Enclosure	The 24 VAC/SPDT Relay With Enclosure has SPDT contacts, nylon enclosure, and 1/2-inch (13 mm) male conduit connection. The coil rating is 11.0 VA inrush, 6.0 VA sealed. The contacts are rated for 3/4 HP at 125 VAC, or 1 HP at 240 VAC, and 8 Amps continuous. The coil leads are 18 AWG and contact leads are 12 AWG. Use this relay as a pilot relay for binary outputs that require higher contact ratings than TCM or MP503 outputs provide. TCM and MP503 binary outputs are rated at 24 VAC, 1 Amp, 24 VA pilot duty.
KBA49500340	Four 24 VAC Pilot Relays in a Box	The Four 24 VAC Pilot Relays in a Box are relays for four 24 VAC coil electrically held binary output points and are in a NEMA Type 1 enclosure with sockets. There are DPDT contacts on each relay and they are rated at 5 Amp, 120 VAC, 1/2 HP, 250 VA pilot duty. The enclosure is approximately 10-1/2 inches x 5-1/2 inches x 3-1/5 inches (267 mm x 140 mm x 81 mm)

Tracker System CB (VariTrac III)

Ordering Number	Model System Controllers	Expanded Description
VACCPWDISP10	CCPIII With LCD	<p>Primary system panel for a Tracker System CB (VariTrac system). Includes optional operator display (LCD) to setup, monitor and control equipment and schedule up to four groups of zones with internal seven-day clock. May also receive time of day commands from a Tracker panel or an external time clock.</p> <p>Central Control Panels (CCPs) communicate with a maximum of 26 devices:</p> <ul style="list-style-type: none"> • 1 Constant Volume HVAC unit including Voyager and Precedent Rooftop units with TCI communications board, or third-party units with optional relay board. • Up to 24 zone controllers* • 1 Bypass Damper Controller*
VACCPONLY010	CCP III Without LCD	<p>Primary system panel for a Tracker System CB (VariTrac system) as above without optional operator display (LCD).</p> <p>Note: Internal time clock functionality is only available on CCP models with LCD. CCPs without LCD require an external time clock or optional Tracker panel for scheduling.</p>

Notes:

1. If the HVAC unit that is to be connected to the CCP is a Voyager or Precedent rooftop unit with ReliaTel controls, order a TCI comm3/4 communications interface for the rooftop.
2. If the HVAC unit that is to be connected to the CCP is other than a Voyager or Precedent rooftop unit, order optional CCP III Relay Board in addition to CCP.
3. All CCP panels require a 24 VAC, 50/60 Hz power supply (sold separately).
4. Batteries not required.





It's Hard To Stop A Trane.®

VariTrac Dampers

Bypass Dampers

Ordering

Number	Description	Expanded Description
Bypass Dampers		Damper motor and gear assembly are wired to a terminal strip mounted in the bypass damper control box. A 12-foot interface cable with a polarized plug is wired and supplied with the bypass damper for connection to the VariTrac III Communicating Sensor/Bypass Control Assembly. Bypass damper is controlled by the VariTrac Central Control Panel.
VADA06BYPS30	6" BYPS	6" Round Bypass Damper
VADA08BYPS30	8" BYPS	8" Round Bypass Damper
VADA10BYPS30	10" BYPS	10" Round Bypass Damper
VADA12BYPS30	12" BYPS	12" Round Bypass Damper
VARA1412BYR2	14" x 12" BYPS	Rectangular Bypass Damper
VARA1616BYR2	16" x 16" BYPS	Rectangular Bypass Damper
VARA2020BYR2	20" x 20" BYPS	Rectangular Bypass Damper
VARA3020BYR2	30" x 20" BYPS	Rectangular Bypass Damper

Zone Dampers

Ordering

Number	Description	Expanded Description
CHGR Dampers		Zone damper motor and gear assembly are controlled by a changeover UCM. No remote heat can be energized. (Heat type 0)
VADA06CHGR60	6" CHGR	
VADA08CHGR60	8" CHGR	
VADA10CHGR60	10" CHGR	
VADA12CHGR60	12" CHGR	
VADA14CHGR60	14" CHGR	
VADA16CHGR60	16" CHGR	
VARA0812CHGR10	8" x 12" CHGR	
VARA0814CHGR10	8" x 14" CHGR	
VARA0816CHGR10	8" x 16" CHGR	
VARA1016CHGR10	10" x 16" CHGR	
VARA1020CHGR10	10" x 20" CHGR	
VARA1418CHGR10	14" x 18" CHGR	

Zone Dampers

Ordering

Number	Description	Expanded Description
ELEC Dampers		Zone damper motor and gear assembly with three-stage electric heat control for the local zone. Local heat disabled with primary heat. (Heat type 1)
VADA06ELEC60	6" ELEC	
VADA08ELEC60	8" ELEC	
VADA10ELEC60	10" ELEC	
VADA12ELEC60	12" ELEC	
VADA14ELEC60	14" ELEC	
VADA16ELEC60	16" ELEC	
VARA0812ELEC10	8" x 12" ELEC	
VARA0814ELEC10	8" x 14" ELEC	
VARA0816ELEC10	8" x 16" ELEC	
VARA1016ELEC10	10" x 16" ELEC	
VARA1020ELEC10	10" x 20" ELEC	
VARA1418ELEC10	14" x 18" ELEC	

Notes:

See Data Catalog for Damper Sizing. See Factory Default Parameters.



It's Hard To Stop A Trane.®

VariTrac Dampers

Zone Dampers

Ordering

Number	Description	Expanded Description
NCHW Dampers		Zone changeover with remote heat staging capabilities. With both Primary Cool and Heat, one stage of remote heat may be energized. May be used to operate a normally closed water valve. (Heat type 5)
VADA06NCHW60	6" NCHW	
VADA08NCHW60	8" NCHW	
VADA10NCHW60	10" NCHW	
VADA12NCHW60	12" NCHW	
VADA14NCHW60	14" NCHW	
VADA16NCHW60	16" NCHW	
VARA0812NCHW10	8" x 12" NCHW	
VARA0814NCHW10	8" x 14" NCHW	
VARA0816NCHW10	8" x 16" NCHW	
VARA1016NCHW10	10" x 16" NCHW	
VARA1020NCHW10	10" x 20" NCHW	
VARA1418NCHW10	14" x 18" NCHW	

Notes:

See Data Catalog for Damper Sizing. See Factory Default Parameters.

Accessories
Ordering

Number	Description	Expanded Description
VAOCCSENS010	Zone Occupancy Sensor (ceiling mount)	Ceiling mount PIR occupancy sensor to be used with VariTrac zone damper UCM for controlling the occupied zone standby function. Detects motion over a 360 degree range (adjustable) for up to a 1200 square foot area. SPDT isolated contact for connection to UCM input. Requires 24 VAC. (may share power supply with UCM)
VAC02ZONE010	Zone CO2 Sensor (wall mount)	Compact wall mount transmitter for use with the VariTrac UCM CO2 input for doing demand control ventilation. Measurement range of 2000ppm CO2 input with an output of 0-10vdc. Transmitter housing size is approximately 4.25inches wide by 3.15 inches high. Requires 24 VAC.
VAC02DUCT010	Duct CO2 Sensor (duct mount)	Compact zone return duct mount transmitter for use with the VariTrac UCM CO2 input for doing demand control ventilation. Measurement range of 2000ppm CO2 input with an output of 0-10vdc. Transmitter housing size is approximately 4.25inches wide by 3.15 inches high by 2.5 inches deep. Duct probe is .6 inches in diameter by 3 inches to 5.5 inches, adjustable depth. Requires 24 VAC.
VADIGITLSNR1	Digital Display Zone Sensor	Digital LCD display zone sensor with the look and functionality of the standard Trane zone sensor. Sensor includes digital display of setpoint adjustment and space temperature in F or C. Includes ON and CANCEL buttons(supports the *, ** service functions of the standard sensor), and communications jack which can be accessed without removing the cover. Non-volatile memory stores last programmed setpoints. Requires 24VAC. (may share power supply with UCM)
VADMPRCABL10	Bypass Damper Cable Harness	Cable for wiring existing bypass dampers to the new Communicating Sensor/Bypass Control Assembly. Plenum rated 3 conductor cable assembly with fork connectors on one end to attach to bypass damper and AMPs connector on the other end to mate with the VAV UCM actuator output. For retrofit work only(cable is included with all new bypass dampers).
VACOMMSENS10	Communicating Sensor/Bypass Control	One required per VariTrac system. Integrated supply air and static pressure sensors connected to a communicating controller (UCM). Communicates directly to the VariTrac system over Comm4 link. Wires to the bypass damper with 12 foot interface cable (supplied with bypass damper). Requires 24 VAC. Works with new VariTrac III only.
VADAMPRUCM40	Damper UCM	UCM in a damper control box; used to represent large constant volume zones. The motor actuator is by others.
VA277VXMFR10	277 Volt Transformer	277-volt primary, 24-volt secondary, 40 VA transformer. It is field mounted and wired.
VA120VXMFR10	120 Volt Transformer	120-volt primary, 24-volt secondary, 40 VA transformer. It is field mounted and wired.
VAJCMOTR010	Actuator Only	Direct coupled actuator with 60 second drive time
VASNSRSTAT20	Zone Sensor	Sensor only. Vertical single-gang mounting.
VASEACSTAT20	Zone Sensor	Sensor, externally adjustable setpoint, communication jack. Vertical single-gang mounting.
VASENCSTAT30	Zone Sensor	Sensor, Night Setback button, externally adjustable setpoint, communication jack, cancel. Vertical single-gang mounting.
VASEBCSTAT10	Zone Sensor	Sensor with On and Cancel. Vertical single mounting.
VASTATLCPC20	Zone Sensor	Wall Plate Available for use with UCM zone sensors. Designed to cover a 4 x 4 junction box mounted horizontally or vertically. Construction is of thermoplastic material with pebble grain finish, which matches the zone sensor. This is a field-installed component.



It's Hard To Stop A Trane.®

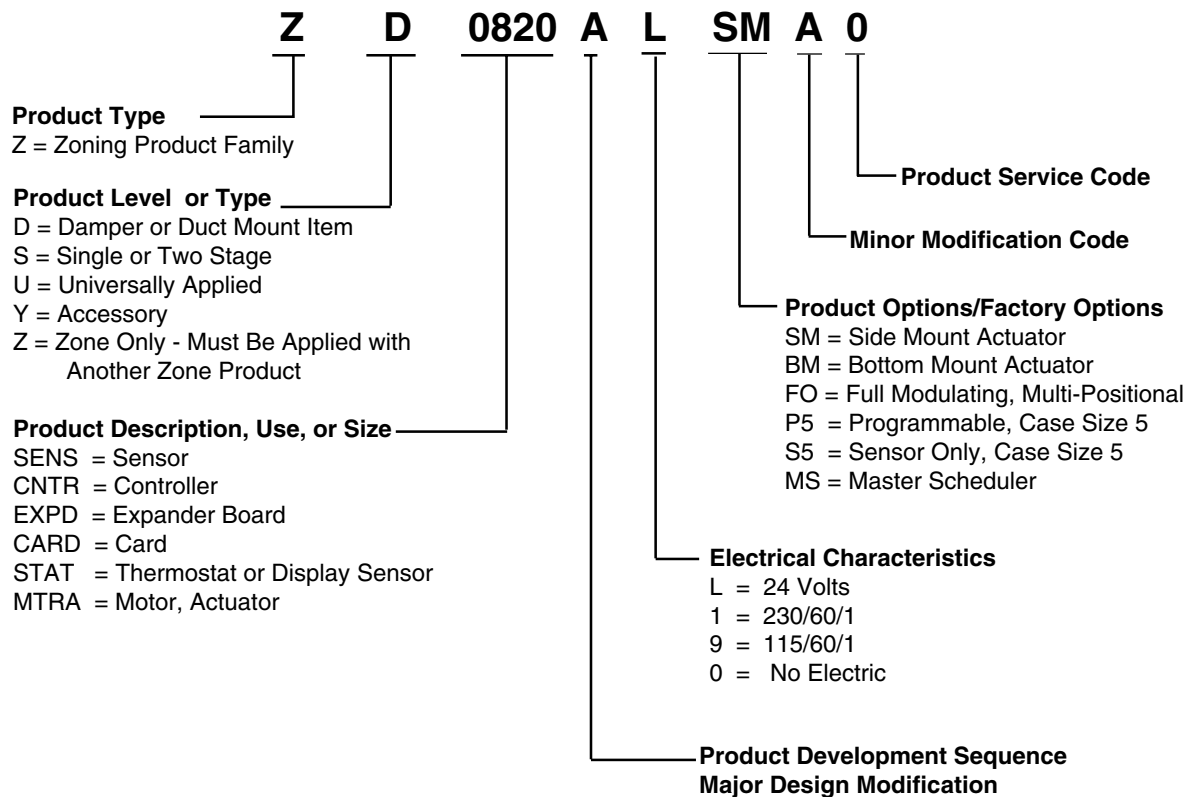
VariTrac Linear Slot Diffusers

Linear Slot Diffusers

Ordering

Number	Description	Expanded Description
VA2TBAR1S1W0	15/16" T-Bar, 2 ft., Low height, 1 slot / 1 way diffuser / inlet diameter 6"	Linear slot diffuser designed to mount over the "T" of several exposed "T" suspended ceilings. Ceiling types include Armstrong-Prelude Series, Chicago Metallic 200/1800 Series, USG/Donn-DX Series, National Rolling Mills-ML Series. Exposed surfaces of slot finished with white enamel.
VA2TBAR2S2W0	15/16" T-Bar, 2 ft., Low height, 2 slot / 2 way diffuser	Linear slot diffuser designed to mount over the "T" of several exposed "T" suspended ceilings. Ceiling types include Armstrong-Prelude Series, Chicago Metallic 200/1800 Series, USG/Donn-DX Series, National Rolling Mills-ML Series. Exposed surfaces of slot finished with white enamel.
VA4TBAR1S1W0	15/16" T-Bar, 4 ft., Low height, 1 slot / 1 way diffuser / inlet diameter 6"	Linear slot diffuser designed to mount over the "T" of several exposed "T" suspended ceilings. Ceiling types include Armstrong-Prelude Series, Chicago Metallic 200/1800 Series, USG/Donn-DX Series, National Rolling Mills-ML Series. Exposed surfaces of slot finished with white enamel.
VA4TBAR2S2W0	15/16" T-Bar, 4 ft., Low height, 2 slot / 2 way diffuser / inlet diameter 6"	Linear slot diffuser designed to mount over the "T" of several exposed "T" suspended ceilings. Ceiling types include Armstrong-Prelude Series, Chicago Metallic 200/1800 Series, USG/Donn-DX Series, National Rolling Mills-ML Series. Exposed surfaces of slot finished with white enamel.

Model Nomenclature Integrated Zone™ System

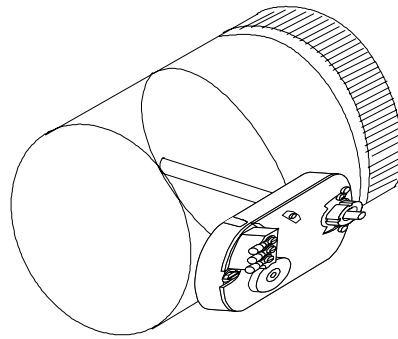


Specifications: Round Dampers

Model Number	Power Supply	Description	Fits Round Duct Size	Mfg. Plant	Shipping Weight
ZD0006ALF0B0	24 VAC	6" Modulating Damper	6"	TY	8
ZD0008ALF0B0	24 VAC	8" Modulating Damper	8"	TY	10
ZD0010ALF0B0	24 VAC	10" Modulating Damper	10"	TY	13
ZD0012ALF0B0	24 VAC	12" Modulating Damper	12"	TY	15
ZD0014ALF0B0	24 VAC	14" Modulating Damper	14"	TY	22
ZD0016ALF0B0	24 VAC	16" Modulating Damper	16"	TY	24

Features and Benefits:

- Fully modulating damper
- Low power requirement 3.4 VA @ 24v
- Factory mounted motor actuator
- 53 inch-pound running torque
- 40 inch-pound break away torque
- Magnetic clutch for torque protection
- Adjustable rotation from 30° to 90°
- 60 second travel time
- Color coded wiring harness for easy field hook-up
- Low leakage Trane design
- 18 guage construction
- 24 volt operation



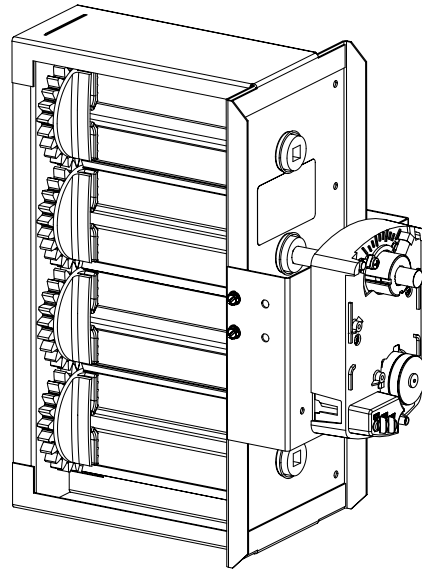
Integrated Zone™ System Rectangular Dampers

Specifications: Rectangular Dampers with Side Mount Actuator

Model Number	Power Supply	Description	Uncrated Dimensions (in.)		Mfg. Plant	Shipping Weight
			H	W		
ZD0812ALSMB0	24 VAC	8" height x 12" width	8	12	TY	17
ZD0814ALSMB0	24 VAC	8" height x 14" width	8	14	TY	20
ZD0816ALSMB0	24 VAC	8" height x 16" width	8	16	TY	22
ZD0818ALSMB0	24 VAC	8" height x 18" width	8	18	TY	24
ZD0820ALSMB0	24 VAC	8" height x 20" width	8	20	TY	26
ZD1016ALSMB0	24 VAC	10" height x 16" width	10	16	TY	29
ZD1020ALSMB0	24 VAC	10" height x 20" width	10	20	TY	35

Features and Benefits:

- Side mount actuator motor
- Low power requirement 3.4 VA @ 24v
- Fully modulating damper
- Factory mounted motor actuator
- 53 inch-pound running torque
- 40 inch-pound break away torque
- Magnetic clutch for torque protection
- Adjustable rotation from 30° to 90°
- 60 second travel time
- Color coded wiring harness for easy field hook-up
- Low leakage Trane design
- 18 gauge construction
- 24 volt operation
- Long life PTC High Impact ABS gears designed and tested to exceed 200,000 cycles





Integrated Zone™ System Rectangular Dampers

Specifications: Rectangular Dampers with Bottom Mount Actuator

Model Number	Power Supply	Description	Uncrated Dimensions (in.)		Mfg. Plant	Shipping Weight
			H	W		
ZD0810ALBMB0	24 VAC	8" height x 10" width	8	10	TY	16
ZD0814ALBMB0	24 VAC	8" height x 14" width	8	14	TY	20
ZD0820ALBMB0	24 VAC	8" height x 20" width	8	20	TY	26
ZD1014ALBMB0	24 VAC	10" height x 14" width	10	14	TY	28
ZD1020ALBMB0	24 VAC	10" height x 20" width	10	20	TY	35

Features and Benefits:

- Bottom mount actuator motor
- Low power requirement 3.4 VA @ 24v
- Fully modulating damper
- Factory mounted motor actuator
- 53 inch-pound running torque
- 40 inch-pound break away torque
- Magnetic clutch for torque protection
- Adjustable rotation from 30° to 90°
- 60 second travel time
- Color coded wiring harness for easy field hook-up
- Low leakage Trane design
- 18 gauge construction
- 24 volt operation
- Long life PTC High Impact ABS gears designed and tested to exceed 200,000 cycles

Integrated Zone™ System Assembly and Accessories

Specifications:

Model Number	Description	Mfg. Plant	Shipping Weight
ZSASSMAL010	Zoning Assembly ^①	TY	9
ZSCNTRAL010	Single/Two-Stage Controller (two-piece thermostat)	TY	4
ZZEXPDAL010	Four-Zone Expander Board	TY	1
ZZCARDAL010	Zone/By-Pass Card	TY	1
ZZSENSAL011	Remote Analog Temperature Sensor ^②	TY	1
ZUSTATAL0310	Reduced Size, Temperature Only Display Sensor	TY	1
ZUSTATALS510	Non-Setback Sensor Time/Temperature Display	TY	1
ZUSTATALP510	Programmable Sensor Time/Temperature Display	TY	1
ZUSTATALMS10	Programmable Master Scheduler Setback/Up Sensor/for up to Eight Zones	TY	1
TAYSTAT265B	Outdoor Temperature Sensor ^③	TY	1

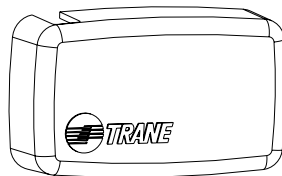
① Contains a system controller, four-zone expander board, and three zone cards mounted in a large eight zone metal enclosure.
Discharge air sensor packaged with assembly.

② Requires ZUSTATALMS10 for programming and scheduling when used as a zone sensor.

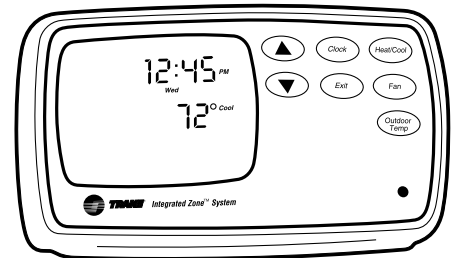
③ Use for outdoor temperature reading.

Features and Benefits:

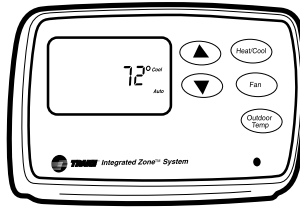
- Full modulating zone operation
- Single and two-stage heating products
- Single and two-stage cooling products
- Indoor fan motors -- handles both Variable Speed and PSC induction motors
- Heat pump compatible
- Fossil fuel (gas and oil furnace) compatible
- Wet-heat (hot water coil in air handler) compatible
- Zone card adjustable from 20 to 100% system airflow
- By-pass offering
- Relief to zones adjustment (standard feature)



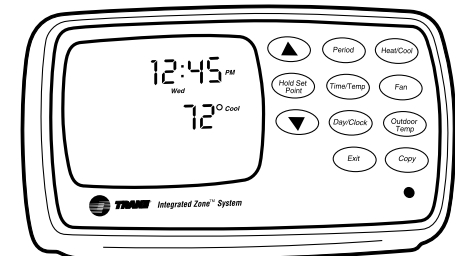
**ZZSENSAL011
TAYSTAT265B**



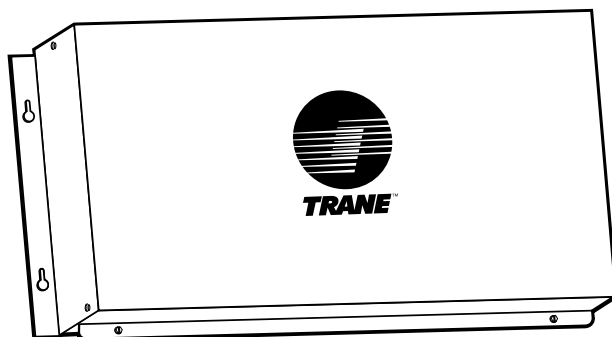
ZUSTATALS510



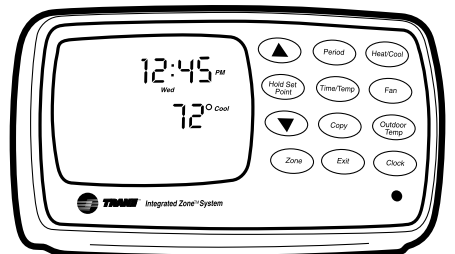
ZUSTATAL0310



ZUSTATALP510



ZSASSMAL010



ZUSTATALMS1

Ordering Number	Item	Expanded Description
ZSASSMAL010	Zoning Assembly	Contains the Basic Control components (excluding wall mounted sensors) for either I) a three (3) zone system, or II) a two (2) zone system with by-pass. Includes the system controller, one (1) four-zone expander board with three (3) zone cards. All mounted in a metal enclosure that will accept an additional four-zone expander board for up to eight (8) zones. Discharge Air Sensor is packaged and included. Controls single and two-stage products; cooling, gas, oil, electric heat, and heat pump systems.
ZSCNTRAL010	Single/Two-Stage Controller	Must be used with any ZUSTATAL** Wall Mounted Sensor. Use as a two-piece thermostat removing the relays and noise the relays normally produce. User sees attractive wall mounted assembly. Controller can be used to allow communication link between cooling/heating equipment and home automation control(s). Controls cooling, gas, oil, electric heat, and heat pump systems.
ZZEXPDAL010	Four-Zone Expander Board	Used to expand ZSASSMAL010 Basic Zoning Assembly to either eight (8) zones or seven (7) zones with by-pass.
ZZCARDAL010	Zone/By-Pass Card	Controls a single zone's damper(s) or the by-pass damper. Zone and by-pass airflows are set on each card. One card required per zone.
ZUSTATAL031	Petite Wall Mount Display Sensor	Slimline design comfort sensor continuously displays indoor temperature. Used to change indoor temperature settings and conditioning modes for cool, heat, auto, or continuous fan. When used with TAYSTAT265B sensor, outdoor temperature can be viewed. Used with either ZSASSMAL010 or ZSCNTRAL010.
ZUSTATALS51	Slimline Wall Mount Display Sensor	Comfort sensor continuously displays the time and indoor temperature backlit LCD for easy view. Used to change indoor temperature settings and conditioning modes. When used with TAYSTAT265B sensor, outdoor temperature can be viewed. Use with either ZSASSMAL010 or ZSCNTRAL010.
ZUSTATALP51	Slimline Wall Mount Programmable Display Sensor	Same basic features as ZUSTATALS510 sensor with seven day schedule programming which allows four separate time/temperature settings per 24-hour period. Backlit LCD for easy view and programming. Displays day of week in addition to time and temperature.
ZUSTATALMS1	Slimline Wall Mount Zone Scheduler/Programmable Display Sensor	Same features as ZUSTATALP510 sensor. Can be used to program and schedule up to eight (8) zones. Copy button for ease of programming time/temperature schedules from other zones.
ZZSENSAL011	Remote Analog Temperature Sensor	Temperature only sensor. Senses the temperature where located. When used for a zone temperature sensor, must be used with ZUSTATALMS1 Master Scheduler. Can be used as a remote sensor for ZUSTATALS51, ZUSTATALP51, or ZUSTATALMS1.
TAYSTAT265B	Outdoor Temperature Sensor	Outdoor temperature only sensor. Can be used with ZUSTATALS51, ZUSTATALP51, or ZUSTATALMS1.



It's Hard To Stop A Trane.®

Thermal Expansion Valve Accessories

Accessories: Cooling Bleed TXV Kits - Single direction flow

Model Number	Used With AC Units	Liquid Line Connection Dia. I.D.	Gas Line Connection Dia. I.D.	Mfg. Plant	Shipping Weight	Refrigerant
TAYTXVA0B5C	1-1.5 Ton	1/4"	5/8"	TR	2	R22
TAYTXVA0C5C	2-2.5 Ton	5/16"	3/4"	TR	2	R22
TAYTXVA0E5C	3-3.5 Ton	3/8"	7/8"	TR	2	R22
TAYTXVA0G5C	4 Ton	3/8"	1-1/8"	TR	2	R22
TAYTXVA0H5C	5-6 Ton	3/8"	1-1/8"	TR	2	R22

Accessories: Cooling Non-Bleed TXV Kits - Single direction flow

Model Number	Used With AC Units	Liquid Line Connection Dia. I.D.	Gas Line Connection Dia. I.D.	Mfg. Plant	Shipping Weight	Refrigerant
TAYTXVA0B3C	1-1.5 Ton	1/4"	5/8"	TR	2	R22
TAYTXVA0C3C	2-2.5 Ton	5/16"	3/4"	TR	2	R22
TAYTXVA0E3C	3-3.5 Ton	3/8"	7/8"	TR	2	R22
TAYTXVA0G3C	4 Ton	3/8"	1-1/8"	TR	2	R22
TAYTXVA0H3C	5-6 Ton	3/8"	1-1/8"	TR	2	R22

Accessories: Heat Pump Non-Bleed TXV Kits (also for cooling) - Dual direction flow

Model Number	Used With HP/AC Units	Liquid Line Connection Dia. I.D.	Gas Line Connection Dia. I.D.	Mfg. Plant	Shipping Weight	Refrigerant
TAYTXVH0B3C	1-1.5 Ton	1/4"	5/8"	TR	2	R22
TAYTXVH0C3C	2-2.5 Ton	5/16"	3/4"	TR	2	R22
TAYTXVH0E3C	3-3.5 Ton	3/8"	7/8"	TR	2	R22
TAYTXVH0G3C	4 Ton HP	3/8"	1-1/8"	TR	2	R22
TAYTXVH0H3C	5-6 Ton HP	3/8"	1-1/8"	TR	2	R22

Accessories: Cooling/Heat Pump Non-Bleed TXV Kits - Dual Direction Flow*

Model Number	Used With HP/AC Units	Liquid Line Connection Dia. I.D.	Gas Line Connection Dia. I.D.	Mfg. Plant	Shipping Weight	Refrigerant
TAYTXVH0D3C	2.5 -3 Ton	3/8"	1-1/8"	TR	2	R-22
TAYTXVH0G3C	4 -5 Ton	3/8"	1-1/8"	TR	2	R-22

Accessories: R-410A Heat Pump Non-Bleed TXV Kits (also for cooling) - Dual direction flow

Model Number	Used With HP/AC Units	Liquid Line Connection Dia. I.D.	Gas Line Connection Dia. I.D.	Mfg. Plant	Shipping Weight	Refrigerant
4AYTXVH3A1830A	1.5-2.5 Ton	5/16"①	3/4"②	TR	2	R410A
4AYTXVH3A3654A	3-4 Ton	3/8"	7/8"③	TR	2	R410A
4AYTXVH3A6060A	5 Ton	3/8"	7/8"	TR	2	R410A

① 1 1/2 ton requires 1/4" liquid line; reducer fittings provided.

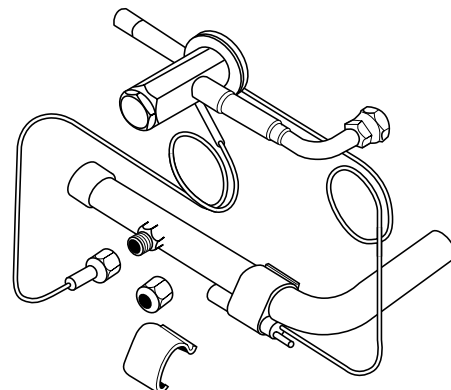
② 1 1/2 ton requires 1/2" suction line, 2 ton requires 5/8"; reducer fittings provided.

③ 3 & 3 1/2 ton requires 3/4" suction line; reducer fitting provided.

* Used with TXH coils only where approved for use with 2 compressor systems.

Notes:

- Use in place of FCCV (Above) on air handlers and coils
- Match TXV kit size to outdoor nominal cooling capacity
- Braze field connections





Heat Pump Non-Bleed TXV Thermal Expansion Valve Accessories w/Mechanical Fittings

Accessories: R-22 HP Non-Bleed TXV Kits (also cooling) - Dual Direction Flow for COILS

Model Number	Used With HP/AC Units	A Coils ^①	Flat Coils ^②	Mfg. Plant	Shipping Weight	Refrigerant
2AYTXVH3C1818A	1.5 Ton	018	018	TR	2	R-22
2AYTXVH3C2425A	2 Ton	024-025	–	TR	2	R-22
2AYTXVH3C3031A	2.5 Ton	048-060	–	TR	2	R-22
2AYTXVH3C3337A	3 Ton	036-037	033	TR	2	R-22
2AYTXVH3C4243A	3.5 Ton	042-043	041	TR	2	R-22
2AYTXVH3C4850A	4 Ton	048-050	–	TR	2	R-22
2AYTXVH3C5463A	4 and 5 Ton	060-061	054,063	TR	2	R-22

① 2TXC,CXC,CXA ② 2TXF

Accessories: R-22 HP Non-Bleed TXV Kits (also cooling) - Dual Direction Flow for AIR HANDLERS

Model Number	Used With HP/AC Units	Air Handlers	Mfg. Plant	Shipping Weight	Refrigerant
2AYTXVH3D1830A	1.5-2.5 Ton	TEC/TEH018-030, TGB018-036 TFB/TFE-All	TR	2	R-22
2AYTXVH3D3636A	3 Ton	TEC/TEH036	TR	2	R-22
2AYTXVH3D4260A	3.5-5 Ton	TEC/TEH042-060, TGB042-048	TR	2	R-22

Accessories: R-410A HP Non-Bleed TXV Kits (also cooling) - Dual Direction Flow for COILS & AIR HANDLERS

Model Number	Used With HP/AC Units	A/Flat Coils ^①	Air Handlers	Mfg. Plant	Shipping Weight	Refrigerant
4AYTXVH3D1831A	1.5-2.5 Ton	018-031	②	TR	2	R-410A
4AYTXVH3D3343A	3-3.5 Ton	036-043	③	TR	2	R-410A
4AYTXVH3D4863A	4-5 Ton	048-061	④	TR	2	R-410A

① 4TXC,CXC,CXA, 4TXF
 ② TEC/TEH018-030, TGB018-036, TFB/TFE-All
 ③ TEC/TEH036-042, TGB042
 ④ TEC/TEH048-060, TGB048

Accessories: R-22 HP Non-Bleed TXV Kits (also cooling) - Dual Direction Flow for ALUMINUM COILS

Model Number	Used With HP/AC Units	Aluminum Coils ^①	Mfg. Plant	Shipping Weight	Refrigerant
2AYTXVH3B2531A	2-2.5 Ton	025-031	TR	2	R-22
2AYTXVH3B3637A	3 Ton	036-037	TR	2	R-22
2AYTXVH3B5454A	4 Ton	054	TR	2	R-22
2AYTXVH3B6161A	5 Ton	061	TR	2	R-22
2AYTXVH3B6565A	5 Ton	063	TR	2	R-22

Accessories: R-410A HP Non-Bleed TXV Kits (also cooling) - Dual Direction Flow for ALUMINUM COILS

Model Number	Used With HP/AC Units	Aluminum Coils ^①	Mfg. Plant	Shipping Weight	Refrigerant
4AYTXVH3B2531A	2-2.5 Ton	025-031	TR	2	R-410A
4AYTXVH3B3654A	3-3.5 Ton	036-054	TR	2	R-410A
4AYTXVH3B6165A	4-5 Ton	061-065	TR	2	R-410A

① 4TXC-S



R-410A and R-22 Thermal Expansion Valve Kits

13 SEER 'A' Coils (Cooling/Heat Pump Non-Bleed TXV Kits-/Dual Direction Flow)

R-410A Model Number	R-22 Model Number	Used With 13 SEER Coils
4AYTXVH3D1831A	2AYTXVH3C1818A	2/4TXC,CXC,CXA-018
4AYTXVH3D1831A	2AYTXVH3C2425A	2/4TXC,CXC,CXA-024,025
4AYTXVH3D1831A	2AYTXVH3C3031A	2/4TXC,CXC,CXA-030,031
4AYTXVH3D3343A	2AYTXVH3C3337A	2/4TXC,CXC,CXA-036,037
4AYTXVH3D3343A	2AYTXVH3C4243A	2/4TXC,CXC,CXA-042,043
4AYTXVH3D4863A	2AYTXVH3C4850A	2/4TXC,CXC,CXA-048,049,050
4AYTXVH3D4863A	2AYTXVH3C5463A	2/4TXC,CXC,CXA-060,061

Flat Coils (Cooling/Heat Pump Non-Bleed TXV Kits-/Dual Direction Flow)

R-410 Model Number	R-22 Model Number	Used With Flat Coils
4AYTXVH3D1831A	2AYTXVH3C1818A	2TXF-018
4AYTXVH3D3343A	2AYTXVH3C3337A	2/4TXF-033
4AYTXVH3D3343A	2AYTXVH3C4243A	2/4TXF-041
4AYTXVH3D4863A	2AYTXVH3C5463A	2/4TXF-054-063

Air Handlers (Cooling/Heat Pump Non-Bleed TXV Kits-/Dual Direction Flow)

R-410 Model Number	R-22 Model Number	Used With Air Handlers
4AYTXVH3D1831A	2AYTXVH3D1830A	2/4TFB-018-030
4AYTXVH3D1831A	2AYTXVH3D1830A	2/4TFE-025
4AYTXVH3D1831A	2AYTXVH3D1830A	2/4TEC-018-030
—	2AYTXVH3D3636A	2/4TEC-036
4AYTXVH3D3642A	—	2/4TEC-036-042
—	2AYTXVH3D4260A	2/4TEC-042-060
4AYTXVH3D4863A	—	2/4TEC-048-060
4AYTXVH3D1831A	2AYTXVH3D1830A	2TEH-018-030
—	2AYTXVH3D3636A	2TEH-036
4AYTXVH3D3642A	—	2TEH-036-042
—	2AYTXVH3D4260A	2TEH-042-060
4AYTXVH3D4863A	—	2TEH-048-060
4AYTXVH3D1831A	2AYTXVH3D1830A	2TGB-018-036
4AYTXVH3D3642A	—	2TGB-042
—	2AYTXVH3D4260A	2TGB-042-048
4AYTXVH3D4863A	—	2TGB-048

Aluminum 'A' Coils (Cooling/Heat Pump Non-Bleed TXV Kits-/Dual Direction Flow)

R-410 Model Number	R-22 Model Number	Used With Aluminum Coils
4AYTXVH3B2531A	2AYTXVH3B2531A	2/4TXC-025-031
4AYTXVH3B3654A	2AYTXVH3B3637A	2/4TXC-036,037
4AYTXVH3B3654A	2AYTXVH3B5454A	2/4TXC-054
4AYTXVH3B6165A	2AYTXVH3B6161A	2/4TXC-061
4AYTXVH3B6165A	2AYTXVH3B6565A	2/4TXC-065



Model Nomenclature Packaged Units

4 TC Y 4 048 A 3 000 AA

Refrigerant
 2 = R-22
 4 = R-410A

Type
 YC = Gas Electric
 WC = Heat Pump
 TC = Air Conditioner

Model Tier
 C = Entry Level
 X = Upgrade
 Y = Premium

Efficiency Tier
 3 = 13 SEER
 4 = 14 SEER

Capacity
 018 042
 024 048
 030 060
 036

Major Model Sequence

Voltage & Phase
 1 = 230V 1 Phase
 3 = 230V 3 Phase
 4 = 460V 3 Phase

Gas Heat Input (MBTU/H)
 000 (AC or HP)
 040 096
 064 120
 075

Minor Design Sequence



2 — 4 Ton 4TCY4024 - 060A

XL14c Convertible Pkg. Cooling

Specifications: XL14c — Single Phase R-410A

Model Number	Power Supply	Capacity Cooling		Uncrated Dimensions(in.)			Mfg. Plant	Shipping Weight
		(BTUH)	SEER	H	W	L		
4TCY4024A1000A	208/230/1/60	24,800	14.30	36	43	51	FS/200	444
4TCY4036A1000A	208/230/1/60	36,200	14.20	38	43	51	FS/200	450
4TCY4048A1000A	208/230/1/60	46,500	14.25	38	46	61	FS/200	607
4TCY4060A1000A	208/230/1/60	59,500	14.35	42	46	61	FS/200	612

Specifications: XL14c — Three Phase R-410A

Model Number	Power Supply	Capacity Cooling		Uncrated Dimensions(in.)			Mfg. Plant	Shipping Weight
		(BTUH)	SEER	H	W	L		
4TCY4036A3000A	208/230/3/60	36,200	14.20	38	43	51	FS/200	450
4TCY4048A3000A	208/230/3/60	46,500	14.25	38	46	61	FS/200	607
4TCY4060A3000A	208/230/3/60	59,500	14.35	42	46	61	FS/200	612

Features:

- Variable speed indoor blower motors with **Comfort-R™** airflow system
- Architecturally integrated louvers and corner guards deliver durable protection, extra safety, and great looks
- Weather Beater Top contoured for great appearance and reinforced for strength
- Ultra quiet operation provides best-in-class performance with barely noticeable sound levels
- Appliance grade finish of durable powder paint baked on both sides of the panels
- Exclusive **Climatuff®** high efficiency compressor with internal overload protection
- Ducted outdoor fan with a high efficiency motor for quiet and reliable operation
- Semi-Elliptical, Logarithmic Expansion Composite **Vortica®** blower provides better airflow and less sound while using less energy
- **Spine Fin™** outdoor coil for long lasting performance and durability
- Right side electrical service for high and low voltage connections
- Rugged steel basepan features deep drawn duct connections and emergency drains
- Steeply sloped composite drainpan will empty fast and never rust
- Ships in horizontal configuration and converts quickly for downflow
- Complete set of customized electric heaters designed for all models. Features a polarized plug for easy installation
- Optional filter rack kits fit inside the unit. Available for 1" or 2" media
- Non-bleed expansion valves on indoor coils
- Pressure taps easily accessed and protected inside compressor compartment
- Easy access liquid line tap inside compressor compartment
- Standard operation to 55°F as manufactured
- Low ambient cooling to 0°F with kit
- UL approved and listed
- **10 year compressor, 10 year outdoor coil, and 5 year other parts limited warranty (Residential Use Only)**
- **Optional extended warranty**



2 — 4 Ton
4TCY4024 - 060A

XL14c
Convertible Pkg.
Cooling

Supplementary Heaters: Separate power source /power entry required

Model Number	Description	Used With	Mfg. Plant	Shipping Weight
BAYHTRV105B	3.76/5.0 kW Heater (208/240V 1PH)	4TCY4024-060A1	FS/200	9
BAYHTRV110B	7.50/10.0 kW Heater (208/240V 1PH)	4TCY4024-060A1	FS/200	10
BAYHTRV115B	11.27/15.00 kW Heater (208/240V 1PH)	4TCY4036-060A1	FS/200	14
BAYHTRV120B	15.00/20.0 kW Heater (208/240V 1PH)	4TCY4048-060A1	FS/200	14
BAYHTRV125B	18.78/25.0 kW Heater (208/240V 1PH)	4TCY4048-060A1	FS/200	21
BAYHTRV305B	3.76/5.0 kW Heater (208/240V 3PH)	4TCY4036-060A3	FS/200	9
BAYHTRV310B	7.50/10.0 kW Heater (208/240V 3PH)	4TCY4036-060A3	FS/200	10
BAYHTRV315B	11.27/15.00 kW Heater (208/240V 3PH)	4TCY4036-060A3	FS/200	14
BAYHTRV320B	15.0/20.0 kW Heater (208/240V 3PH)	4TCY4048-060A3	FS/200	14
BAYHTRV325B	18.78/25.0 kW Heater (208/240V 3PH)	4TCY4048-060A3	FS/200	20

Single Power Entry Kit/Heater Matrix:

Single Power Entry Kit ^①	Heater Model	Unit Model	Mfg. Plant	Shipping Weight
BAYSPEK060B	BAYHTRV105B	4TCY4024-048A1	FS/200	3
	BAYHTRV110B	4TCY4024-036A1		
BAYSPEK061B	BAYHTRV305B	4TCY4036-048A3	FS/200	7
	BAYHTRV310B	4TCY4036-048A3		
	BAYHTRV315B	4TCY4036-048A3		
BAYSPEK062B	BAYHTRV110B	4TCY4048A1	FS/200	7
BAYSPEK063B	BAYHTRV115B	4TCY4036-048A1	FS/200	7
	BAYHTRV120B	4TCY4048A1		
BAYSPEK064B	BAYHTRV320B	4TCY4048A3	FS/200	6

^①All necessary fuses are included in kit



2 — 4 Ton 4TCY4024 - 060A

XL14c Convertible Pkg. Cooling

Accessories:

Model Number	Description	Used With	Mfg. Plant	Shipping Weight
Extended Warranties – (1 yr - 5 yr - 10 yr – See Extended Warranty Section)				
Controls (See Controls Section)				
BAYCURB050A	Roof Curb (Flat Roof)ⓂⓅ	4TCY4024-036A	FS/200	74
BAYCURB051A	Roof Curb (Flat Roof)ⓂⓆ	4TCY4048-060A	FS/200	74
BAYECON101A	0-100% Mod. Economizer w/Baro. ReliefⓂⓃⓄⓇ	4TCY4024-036A	FS/200	50
BAYECON102A	0-100% Mod. Economizer w/Baro. ReliefⓂⓃⓄⓇ	4TCY4048-060A	FS/200	65
BAYECON200A	0-100% Mod. Econ. - HorizontalⓂⓃ	4TCY4024-036A	FS/200	85
BAYECON201A	0-100% Mod. Econ. - HorizontalⓂⓃ	4TCY4048-060A	FS/200	85
BAYSTAT023	Remote Potentiometer	All Economizers	CK/001	1
BAYENTH001A	Enthalpy Control (Solid State)Ⓝ	All Economizers	FS/200	2
BAYOSAH001A	0-25% Manual Fresh Air DamperⓂⓄ	4TCY4024-036A	FS/200	6
BAYOSAH002A	0-25% Manual Fresh Air DamperⓂⓄ	4TCY4048-060A	FS/200	8
BAYDMPR101A	Motorized Fresh Air DamperⓂⓄ	4TCY4024-036A	FS	
BAYDMPR102A	Motorized Fresh Air DamperⓂⓄ	4TCY4048-060A	FS	
BAYFLTR101A	1"-2" Filter FrameⓂ (20x25 filter not included)	4TCY4024-036A	FS/200	6
BAYFLTR201A	1"-2" Filter FrameⓂ (20x20,20x18 filters not included)	4TCY4048-060A	FS/200	6
BAYLOAM011A	Evaporator Defrost Control Kit	All 4TCY4	TY	5
BAYLOAM105A	Low Ambient Control Kit	All 4TCY4	FS/200	5
BAYQSTK300A	Quick Start Kit	All 4TCY-A1		
BAYCCHT101A	Crankcase Heater - 230v - Recip	4TCY4024A1		
BAYCCHT102A	Crankcase Heater - 230v - Scroll	4TCY4036,48,60A1/3		
BAYSQRD001A	16" Round Duct Adapter (2 Per Box)Ⓢ	4TCY4024-036A	FS/200	5
BAYSQRD002A	18" Round Duct Adapter (2 Per Box)Ⓢ	4TCY4024-060A	FS/200	3
BAYADAP050A	Adapter Curb	4TCY4024-036A to BAYCURB030,38		
BAYADAP051A	Adapter Curb	4TCY4024-036A to BAYCURB033		
BAYADAP052A	Adapter Curb	4TCY4048-060A to BAYCURB030,38		
BAYADAP053A	Adapter Curb	4TCY4048-060A to BAYCURB033		
BAYADAP054A	Adapter Curb	4TCY4048-060A to BAYCURB034		
BAYUTIL101A	Roof Curb Utility Extention Kit	4TCY4024-036A		
BAYUTIL102A	Roof Curb Utility Extention Kit	4TCY4048-060A		
BAYCOVR112A	12" Duct Shroud Covers HorizontalⓈ	4TCY4024-060A		
BAYCOVR118A	18" Duct Shroud Covers HorizontalⓈ	4TCY4024-060A		
BAYEXMK001A	Extreme Condition Mounting Kit - All BAYCURB & BAYADAP			
BAYEXMK002A	Extreme Condition Mounting Kit - All BAYUTIL			
BAYEXMK003A	Extreme Condition Mounting Kit - All Slab Mounts			
BAYLIFT002B	Lifting Lug Kit	All 4TCY4	FS/200	5

Ⓜ Must use filter frame when economizer/fresh air kit is used.

Ⓝ Ships knocked down.

Ⓞ Dry bulb control standard with economizer.

Ⓡ Downflow Only.

Ⓢ Full perimeter curb for 4TCY4024-036A.

Ⓣ Full perimeter curb for 4TCY4048-060A.

Ⓤ 2-Stage thermostat provides additional energy savings if simultaneous economizer and compressor operation is expected.

ⓖ It is the responsibility of the installing dealer to properly size the ductwork for each specific application.

ⓗ BAYCOVR112,118A will not cover BAYSQRD002A applications



1-1/2 — 5 Ton
4TCC3018 - 060A

XB13c
Convertible Pkg.
Cooling

Specifications: XB13c — Single Phase R-410A

Model Number	Power Supply	Capacity Cooling		Uncrated Dimensions(in.)			Mfg. Plant	Shipping Weight
		(BTUH)	SEER	H	W	L		
4TCC3018A1000A	208/230/1/60	18,000	13.00	36	42	49	FS/200	444
4TCC3024A1000A	208/230/1/60	23,000	13.00	36	42	49	FS/200	444
4TCC3030A1000A	208/230/1/60	28,000	13.00	36	42	49	FS/200	445
4TCC3036A1000A	208/230/1/60	35,000	13.00	36	42	49	FS/200	450
4TCC3042A1000A	208/230/1/60	40,000	13.00	38	45	59	FS/200	523
4TCC3048A1000A	208/230/1/60	46,500	13.00	38	45	59	FS/200	607
4TCC3060A1000A	208/230/1/60	58,000	13.00	40	45	59	FS/200	610

Specifications: XB13c — Three Phase R-410A

Model Number	Power Supply	Capacity Cooling		Uncrated Dimensions(in.)			Mfg. Plant	Shipping Weight
		(BTUH)	SEER	H	W	L		
4TCC3036A3000A	208/230/3/60	35,000	13.00	36	42	49	FS/200	450
4TCC3048A3000A	208/230/3/60	46,500	13.00	38	45	59	FS/200	607
4TCC3060A3000A	208/230/3/60	58,000	13.00	40	45	59	FS/200	610
4TCC3036A4000A	460/3/60	35,000	13.00	36	42	49	FS/200	450
4TCC3048A4000A	460/3/60	46,500	13.00	38	45	59	FS/200	607
4TCC3060A4000A	460/3/60	58,000	13.00	40	45	59	FS/200	610

Features:

- All steel louvers and cabinet for rugged, long lasting protection
- Weather Beater Top contoured for great appearance and reinforced for strength
- Quiet operation delivers great in-home comfort with minimal sound
- Appliance grade finish of durable powder paint baked on both sides of the panels
- Exclusive **Climatuff®** high efficiency compressor with internal overload protection
- High efficiency outdoor fan motor for quiet and reliable operation
- Composite **Vortica®** blower provides better airflow and less sound while using less energy
- **Spine Fin™** outdoor coil for long lasting performance and durability
- Right side electrical service for high and low voltage connections
- Rugged steel basepan features deep drawn duct connections and emergency drains
- Steeply sloped composite drainpan will empty fast and never rust
- Ships in horizontal configuration and converts quickly for downflow
- Complete set of electric heaters featuring a polarized plug for easy installation
- Refrigerant line filter drier
- Optional filter rack kits fit inside the unit. Available for 1" or 2" media
- Non-bleed expansion valves on indoor and outdoor coils
- Direct drive multi-speed indoor blower motors
- Pressure taps easily accessed and protected inside compressor compartment
- Easy access liquid line tap inside compressor compartment
- Standard operation to 55°F as manufactured
- Low ambient cooling to 0°F with kit
- UL approved and listed
- **5 year compressor and other parts limited warranty. (Residential Use Only)**
- **Optional extended warranty**



1-1/2 — 5 Ton
4TCC3018 - 060A

XB13c
Convertible Pkg.
Cooling

Supplementary Heaters: Separate power source /power entry required

Model Number	Description	Used With	Mfg. Plant	Shipping Weight
BAYHTRV105B	3.76/5.0 kW Heater (208/240V 1PH)	4TCC3018-060A1	FS/200	9
BAYHTRV110B	7.50/10.0 kW Heater (208/240V 1PH)	4TCC3024-060A1	FS/200	10
BAYHTRV115B	11.27/15.00 kW Heater (208/240V 1PH)	4TCC3030-060A1	FS/200	14
BAYHTRV120B	15.00/20.0 kW Heater (208/240V 1PH)	4TCC3048-060A1	FS/200	14
BAYHTRV125B	18.78/25.0 kW Heater (208/240V 1PH)	4TCC3060A1	FS/200	21
BAYHTRV305B	3.76/5.0 kW Heater (208/240V 3PH)	4TCC3018-060A3	FS/200	9
BAYHTRV310B	7.50/10.0 kW Heater (208/240V 3PH)	4TCC3024-060A3	FS/200	10
BAYHTRV315B	11.27/15.00 kW Heater (208/240V 3PH)	4TCC3030-060A3	FS/200	14
BAYHTRV320B	15.0/20.0 kW Heater (208/240V 3PH)	4TCC3048-060A3	FS/200	14
BAYHTRV325B	18.78/25.0 kW Heater (208/240V 3PH)	4TCC3060A3	FS/200	20
BAYHTRV405B	3.76/5.0 kW Heater (460V 3PH)	4TCC3018-060A4	FS/200	9
BAYHTRV410B	10.0 kW Heater (460V 3PH)	4TCC3024-060A4	FS/200	10
BAYHTRV415B	15.00 kW Heater (460V 3PH)	4TCC3030-060A4	FS/200	14
BAYHTRV420B	20.0 kW Heater (460V 3PH)	4TCC3048-060A4	FS/200	14
BAYHTRV425B	25.0 kW Heater (460V 3PH)	4TCC3060A4	FS/200	16

Single Power Entry Kit/Heater Matrix:

Single Power Entry Kit ^①	Heater Model	Unit Model	Mfg. Plant	Shipping Weight
BAYSPEK060B	BAYHTRV105B	4TCC3018-048A1	FS/200	3
	BAYHTRV110B	4TCC3024-036A1		
BAYSPEK061B	BAYHTRV305B	4TCC3036-060A3	FS/200	7
	BAYHTRV310B	4TCC3036-048A3		
	BAYHTRV315B	4TCC3036-060A3		
	BAYHTRV405B	4TCC3036-060A4		
	BAYHTRV410B	4TCC3036-060A4		
	BAYHTRV415B	4TCC3036-060A4		
	BAYHTRV420B	4TCC3048-060A4		
BAYSPEK063B	BAYHTRV115B	4TCC3030-060A1	FS/200	7
	BAYHTRV120B	4TCC3048-060A1		
BAYSPEK064B	BAYHTRV320B	4TCC3048-060A3	FS/200	6

^①All necessary fuses are included in kit



1-1/2 — 5 Ton 4TCC3018 - 060A

XB13c Convertible Pkg. Cooling

Accessories:

Model Number	Description	Used With	Mfg. Plant	Shipping Weight
Extended Warranties – (1 yr - 5 yr - 10 yr – See Extended Warranty Section)				
Controls	(See Controls Section)			
BAYCURB050A	Roof Curb (Flat Roof)②⑤	4TCC3018-036A	FS/200	74
BAYCURB051A	Roof Curb (Flat Roof)②⑥	4TCC3042-060A	FS/200	74
BAYECON101A	0-100% Mod. Economizer w/Baro. Relief①③④⑦	4TCC3018-036A	FS/200	50
BAYECON102A	0-100% Mod. Economizer w/Baro. Relief①③④⑦	4TCC3042-060A	FS/200	65
BAYECON200A	0-100% Mod. Econ. - Horizontal①③⑦	4TCC3018-036A	FS/200	85
BAYECON201A	0-100% Mod. Econ. - Horizontal①③⑦	4TCC3042-060A	FS/200	85
BAYSTAT023	Remote Potentiometer	All Economizers	CK/001	1
BAYENTH001A	Enthalpy Control (Solid State)③	All Economizers	FS/200	2
BAYOSAH001A	0-25% Manual Fresh Air Damper①④	4TCC3018-036A	FS/200	6
BAYOSAH002A	0-25% Manual Fresh Air Damper①④	4TCC3042-060A	FS/200	8
BAYDMPR101A	Motorized Fresh Air Damper①④	4TCC3018-036A	FS	
BAYDMPR102A	Motorized Fresh Air Damper①④	4TCC3042-060A	FS	
BAYFLTR101A	1"-2" Filter Frame① (20x25 filter not included)	4TCC3018-036A	FS/200	6
BAYFLTR201A	1"-2" Filter Frame① (20x20,20x18 filters not included)	4TCC3042-060A	FS/200	6
BAYLOAM011A	Evaporator Defrost Control Kit	All 4TCC3	TY	5
BAYLOAM105A	Low Ambient Control Kit	All 4TCC3	FS/200	5
BAYQSTK300A	Quick Start Kit	All 4TCC-A1		
BAYCCHT101A	Crankcase Heater - 230v - Recip	4TCC3018,24A1		
BAYCCHT102A	Crankcase Heater - 230v - Scroll	4TCC3030,36,42,48,60A1/3		
BAYCCHT404B	Crankcase Heater - 460v - Scroll	4TCC3036,48,60A4		
BAYSQRD001A	16" Round Duct Adapter (2 Per Box)⑧	4TCC3018-036A	FS/200	5
BAYSQRD002A	18" Round Duct Adapter (2 Per Box)⑧	4TCC3018-060A	FS/200	3
BAYADAP050A	Adapter Curb	4TCC3018-036A to BAYCURB030,38		
BAYADAP051A	Adapter Curb	4TCC3018-036A to BAYCURB033		
BAYADAP052A	Adapter Curb	4TCC3042-060A to BAYCURB030,38		
BAYADAP053A	Adapter Curb	4TCC3042-060A to BAYCURB033		
BAYADAP054A	Adapter Curb	4TCC3042-060A to BAYCURB034		
BAYUTIL101A	Roof Curb Utility Extention Kit	4TCC3018-036A		
BAYUTIL102A	Roof Curb Utility Extention Kit	4TCC3042-060A		
BAYCOVR112A	12" Duct Shroud Covers Horizontal⑨	4TCC3018-036A		
BAYCOVR118A	18" Duct Shroud Covers Horizontal⑨	4TCC3018-036A		
BAYEXMK001A	Extreme Condition Mounting Kit - All BAYCURB & BAYADAP			
BAYEXMK002A	Extreme Condition Mounting Kit - All BAYUTIL			
BAYEXMK003A	Extreme Condition Mounting Kit - All Slab Mounts			
BAYLIFT002B	Lifting Lug Kit	All 4TCC3	FS/200	5

① Must use filter frame when economizer/fresh air kit is used.

② Ships knocked down.

③ Dry bulb control standard with economizer.

④ Downflow Only.

⑤ Full perimeter curb for 4TC*3018-036A.

⑥ Full perimeter curb for 4TC*3042-060A.

⑦ 2-Stage thermostat provides additional energy savings if simultaneous economizer and compressor operation is expected.

⑧ It is the responsibility of the installing dealer to properly size the ductwork for each specific application.

⑨ BAYCOVR112,118A will not cover BAYSQRD002A applications



1-1/2 — 5 Ton
4TCX3018 - 060A

XL13c
Convertible Pkg.
Cooling

Specifications: XL13c — Single Phase R-410A

Model Number	Power Supply	Capacity		Uncrated Dimensions(in.)			Mfg. Plant	Shipping Weight
		Cooling (BTUH)	SEER	H	W	L		
4TCX3018A1000A	208/230/1/60	18,800	13.65	36	43	51	FS/200	444
4TCX3024A1000A	208/230/1/60	24,800	13.30	36	43	51	FS/200	444
4TCX3030A1000A	208/230/1/60	29,800	13.15	36	43	51	FS/200	445
4TCX3036A1000A	208/230/1/60	36,200	13.30	36	43	51	FS/200	450
4TCX3042A1000A	208/230/1/60	43,500	13.05	38	61	46	FS/200	523
4TCX3048A1000A	208/230/1/60	46,500	13.15	38	61	46	FS/200	607
4TCX3060A1000A	208/230/1/60	60,500	13.40	40	61	46	FS/200	610

Specifications: XL13c — Three Phase R-410A

Model Number	Power Supply	Capacity		Uncrated Dimensions(in.)			Mfg. Plant	Shipping Weight
		Cooling (BTUH)	SEER	H	W	L		
4TCX3036A3000A	208/230/3/60	36,200	13.30	36	43	51	FS/200	450
4TCX3048A3000A	208/230/3/60	46,500	13.14	38	61	46	FS/200	607
4TCX3060A3000A	208/230/3/60	60,500	13.40	40	61	46	FS/200	610
4TCX3036A4000A	460/3/60	36,200	13.30	36	43	51	FS/200	450
4TCX3048A4000A	460/3/60	46,500	13.15	38	61	46	FS/200	607
4TCX3060A4000A	460/3/60	60,500	13.40	40	61	46	FS/200	610

Features:

- Architecturally integrated louvers and corner guards deliver durable protection, extra safety, and great looks
- Weather Beater Top contoured for great appearance and reinforced for strength
- Ultra quiet operation provides best-in-class performance with barely noticeable sound levels
- Appliance grade finish of durable powder paint baked on both sides of the panels
- Exclusive **Climatuff®** high efficiency compressor with internal overload protection
- Ducted outdoor fan with a high efficiency motor for quiet and reliable operation
- Composite **Vortica®** blower provides better airflow and less sound while using less energy
- **Spine Fin™** outdoor coil for long lasting performance and durability
- Right side electrical service for high and low voltage connections
- Rugged steel basepan features deep drawn duct connections and emergency drains
- Steeply sloped composite drainpan will empty fast and never rust
- Ships in horizontal configuration and converts quickly for downflow
- Complete set of electric heaters featuring a polarized plug for easy installation
- Refrigerant line filter drier
- Optional filter rack kits fit inside the unit. Available for 1" or 2" media
- Non-bleed expansion valves on indoor and outdoor coils
- Direct drive multi-speed indoor blower motors
- Pressure taps easily accessed and protected inside compressor compartment
- Easy access liquid line tap inside compressor compartment
- Standard operation to 55°F as manufactured
- Low ambient cooling to 0°F with kit
- UL approved and listed
- **10 year compressor, 10 year outdoor coil, and 5 year other parts limited warranty (Residential Use Only)**
- **Optional extended warranty**



1-1/2 — 5 Ton
4TCX3018 - 060A

XL13c
Convertible Pkg.
Cooling

Supplementary Heaters: Separate power source /power entry required

Model Number	Description	Used With	Mfg. Plant	Shipping Weight
BAYHTRV105B	3.76/5.0 kW Heater (208/240V 1PH)	4TCX3018-060A1	FS/200	9
BAYHTRV110B	7.50/10.0 kW Heater (208/240V 1PH)	4TCX3024-060A1	FS/200	10
BAYHTRV115B	11.27/15.00 kW Heater (208/240V 1PH)	4TCX3030-060A1	FS/200	14
BAYHTRV120B	15.00/20.0 kW Heater (208/240V 1PH)	4TCX3048-060A1	FS/200	14
BAYHTRV125B	18.78/25.0 kW Heater (208/240V 1PH)	4TCX3060A1	FS/200	21
BAYHTRV305B	3.76/5.0 kW Heater (208/240V 3PH)	4TCX3018-060A3	FS/200	9
BAYHTRV310B	7.50/10.0 kW Heater (208/240V 3PH)	4TCX3024-060A3	FS/200	10
BAYHTRV315B	11.27/15.00 kW Heater (208/240V 3PH)	4TCX3030-060A3	FS/200	14
BAYHTRV320B	15.0/20.0 kW Heater (208/240V 3PH)	4TCX3048-060A3	FS/200	14
BAYHTRV325B	18.78/25.0 kW Heater (208/240V 3PH)	4TCX3060A3	FS/200	20
BAYHTRV405B	3.76/5.0 kW Heater (460V 3PH)	4TCX3018-060A4	FS/200	9
BAYHTRV410B	7.50/10.0 kW Heater (460V 3PH)	4TCX3024-060A4	FS/200	10
BAYHTRV415B	11.27/15.00 kW Heater (460V 3PH)	4TCX3030-060A4	FS/200	14
BAYHTRV420B	15.0/20.0 kW Heater (460V 3PH)	4TCX3048-060A4	FS/200	14
BAYHTRV425B	25.0 kW Heater (460V 3PH)	4TCX3060A4	FS/200	16

Single Power Entry Kit/Heater Matrix:

Single Power Entry Kit ^①	Heater Model	Unit Model	Mfg. Plant	Shipping Weight
BAYSPEK060B	BAYHTRV105B	4TCX3018-048A1	FS/200	3
	BAYHTRV110B	4TCX3024-036A1		
BAYSPEK061B	BAYHTRV305B	4TCX3036-060A3	FS/200	7
	BAYHTRV310B	4TCX3036-048A3		
	BAYHTRV315B	4TCX3036-060A3		
	BAYHTRV405B	4TCX3036-060A4		
	BAYHTRV410B	4TCX3036-060A4		
	BAYHTRV415B	4TCX3036-060A4		
	BAYHTRV420B	4TCX3048-060A4		
BAYSPEK063B	BAYHTRV115B	4TCX3030-048A1	FS/200	7
	BAYHTRV120B	4TCX3048A1		
BAYSPEK064B	BAYHTRV320B	4TCX3048-060A3	FS/200	6

^①All necessary fuses are included in kit



1-1/2 — 5 Ton 4TCX3018 - 060A

XL13c Convertible Pkg. Cooling

Accessories:

Model Number	Description	Used With	Mfg. Plant	Shipping Weight
Extended Warranties – (1 yr - 5 yr - 10 yr – See Extended Warranty Section)				
Controls	(See Controls Section)			
BAYCURB050A	Roof Curb (Flat Roof)②⑤	4TCX3018-036A	FS/200	74
BAYCURB051A	Roof Curb (Flat Roof)②⑥	4TCX3042-060A	FS/200	74
BAYECON101A	0-100% Mod. Economizer w/Baro. Relief①③④⑦	4TCX3018-036A	FS/200	50
BAYECON102A	0-100% Mod. Economizer w/Baro. Relief①③④⑦	4TCX3042-060A	FS/200	65
BAYECON200A	0-100% Mod. Econ. - Horizontal①③⑦	4TCX3018-036A	FS/200	85
BAYECON201A	0-100% Mod. Econ. - Horizontal①③⑦	4TCX3042-060A	FS/200	85
BAYSTAT023	Remote Potentiometer	All Economizers	CK/001	1
BAYENTH001A	Enthalpy Control (Solid State)③	All Economizers	FS/200	2
BAYOSAH001A	0-25% Manual Fresh Air Damper①④	4TCX3018-036A	FS/200	6
BAYOSAH002A	0-25% Manual Fresh Air Damper①④	4TCX3042-060A	FS/200	8
BAYDMPR101A	Motorized Fresh Air Damper①④	4TCX3018-036A	FS	
BAYDMPR102A	Motorized Fresh Air Damper①④	4TCX3042-060A	FS	
BAYFLTR101A	1"-2" Filter Frame① (20x25 filter not included)	4TCX3018-036A	FS/200	6
BAYFLTR201A	1"-2" Filter Frame① (20x20,20x18 filters not included)	4TCX3042-060A	FS/200	6
BAYLOAM011A	Evaporator Defrost Control Kit	All 4TCX3	TY	5
BAYLOAM105A	Low Ambient Control Kit	All 4TCX3	FS/200	5
BAYQSTK300A	Quick Start Kit	All 4TCX-A1		
BAYCCHT101A	Crankcase Heater - 230v - Recip	4TCX3018,24A1		
BAYCCHT102A	Crankcase Heater - 230v - Scroll	4TCX3030,36,42,48,60A1/3		
BAYCCHT404B	Crankcase Heater - 460v - Scroll	4TCX3036,48,60A4		
BAYSQRD001A	16" Round Duct Adapter (2 Per Box)⑨	4TCX3018-036A	FS/200	5
BAYSQRD002A	18" Round Duct Adapter (2 Per Box)⑨	4TCX3018-060A	FS/200	3
BAYADAP050A	Adapter Curb	4TCX3018-036A to BAYCURB030,38		
BAYADAP051A	Adapter Curb	4TCX3018-036A to BAYCURB033		
BAYADAP052A	Adapter Curb	4TCX3042-060A to BAYCURB030,38		
BAYADAP053A	Adapter Curb	4TCX3042-060A to BAYCURB033		
BAYADAP054A	Adapter Curb	4TCX3042-060A to BAYCURB034		
BAYUTIL101A	Roof Curb Utility Extention Kit	4TCX3018-036A		
BAYUTIL102A	Roof Curb Utility Extention Kit	4TCX3042-060A		
BAYCOVR112A	12" Duct Shroud Covers Horizontal⑨	4TCX3018-036A		
BAYCOVR118A	18" Duct Shroud Covers Horizontal⑨	4TCX3018-036A		
BAYEXMK001A	Extreme Condition Mounting Kit - All BAYCURB & BAYADAP			
BAYEXMK002A	Extreme Condition Mounting Kit - All BAYUTIL			
BAYEXMK003A	Extreme Condition Mounting Kit - All Slab Mounts			
BAYLIFT002B	Lifting Lug Kit	All 4TCX3	FS/200	5

① Must use filter frame when economizer/fresh air kit is used.

② Ships knocked down.

③ Dry bulb control standard with economizer.

④ Downflow Only.

⑤ Full perimeter curb for 4TC*3018-036A.

⑥ Full perimeter curb for 4TC*3042-060A.

⑦ 2-Stage thermostat provides additional energy savings if simultaneous economizer and compressor operation is expected.

⑧ It is the responsibility of the installing dealer to properly size the ductwork for each specific application.

⑨ BAYCOVR112,118A will not cover BAYSQRD002A applications



Model Nomenclature Packaged Units

T C K 0 2 4 B 1 0 0 A A

Product Type
TC = Cooling

Airflow Configuration
K = Horizontal

Nominal Gross Cooling Capacity (MBh)

Major Development Sequence

Electrical Characteristics
1 = 208-230/1/60

Secondary Capacity And/Or Factory-Installed Options
00 = Packed Stock, No Options

Minor Design Sequence

Service Design

Specifications: XR13m Horizontal Round Duct - Single Phase

Model Number	Power Supply	Capacity Cooling (BTUH)	SEER	EER	Uncrated Dimensions(in.)			Mfg. Plant	Shipping Weight
					H	W	L		
TCK024B100A	208/230/1/60	26,000	13.00	11.50	30.75	31.75	44	FS/200	334
TCK030B100A	208/230/1/60	30,600	13.00	12.60	30.75	31.75	44	FS/200	338
TCK036B100A	208/230/1/60	36,000	13.00	11.80	30.75	31.75	44	FS/200	344
TCK042B100A	208/230/1/60	41,000	13.00	11.45	30.75	31.75	44	FS/200	355

Supplementary Heaters: Separate power source/power entry or Single Power Source

Model Number	Description	Used With	Mfg. Plant	Shipping Weight
BAYHTRK105A	3.74/4.98 kW Heater (208/240)	TCK024-42B1	FS/200	9
BAYHTRK110A	7.47/9.96 kW Heater (208/240)	TCK024-42B1	FS/200	10
BAYHTRK116A ^①	11.18/14.94 kW Heater (208/240)	TCK036-42B1	FS/200	10

^① This model has a factory provided fuse box.

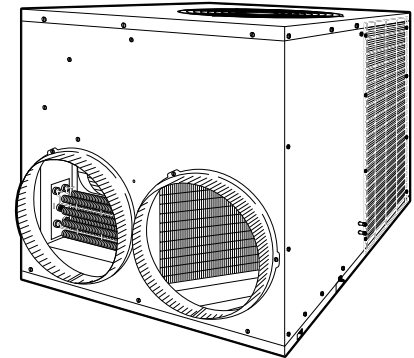
Accessories:

Model Number	Description	Used With	Mfg. Plant	Shipping Weight
Extended Warranties	(See Extended Warranty Section)			
BAYLOAM011A	Low Ambient Cooling Kit	All TCK Models	FS/200	5
BAYASCT001 ^①	Anti-Short Cycle Timer	All TCK Models	FS/200	1

^① Not for use with programmable thermostats.

Features:

- Climatuff® compressor
- Compressor motor overload protection
- Energy Saving Demand defrost control system
- Copper tube, aluminum plate fin coils
- Shaft-down outdoor fan system
- Steeply sloped composite drain pan eliminates standing water
- Waterproof closed-cell foam evaporator base insulation
- Weather resistant powder paint
- Powder painted base pan
- 14" round duct connections included
- Wrap-around vinyl-coated wire coil guards
- Extra quiet 74-78 dB operation
- Thermal expansion valves
- External pressure taps for refrigerant checks
- Polarized plug for easy field connection of low voltage to supplementary heaters
- Low ambient cooling to 45° F as manufactured
- Low ambient cooling to 0° F with accessory BAYLOAM011A
- UL listed
- **5-year limited warranty on compressor, and 5-year on all other parts (Residential Use Only)**
- **Optional extended warranties**





2 — 5 Ton
TCH024 - 042C
TCH048 - 060F

**XE 1300
Over/Under
Packaged Cooling**

Specifications: XE 1300 Over/Under — Single Phase

Model Number	Power Supply	Nom. Cap. Cooling (BTUH)	SEER	Uncrated Dimensions(in.)			Mfg. Plant	Shipping Weight
				H	W	L		
TCH024C100A	208/230/1/60	25,600	13.00	30	32	44	FS/200	326
TCH030C100A	208/230/1/60	29,600	13.00	30	32	44	FS/200	328
TCH036C100A	208/230/1/60	36,000	13.00	30	32	44	FS/200	340
TCH042C100A	208/230/1/60	40,500	13.00	30	32	44	FS/200	340
TCH048F100A	208/230/1/60	50,000	13.75	33	45	58	FS/200	504
TCH060F100A	208/230/1/60	62,000	13.00	33	45	58	FS/200	509

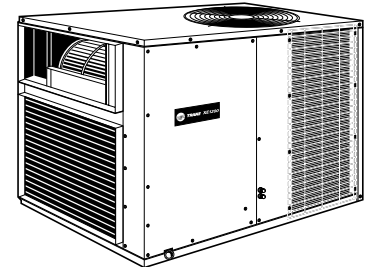
Supplementary Heaters: Separate power source/power entry required

Model Number	Description	Used With	Mfg. Plant	Shipping Weight
BAYHTRC106A	4.33/5.76 kW Heater (208/240)	TCH024-060C/F1	FS/200	9
BAYHTRC109A	6.12/8.16 kW Heater (208/240)	TCH048/060F	FS/200	10
BAYHTRC110A	7.93/10.56 kW Heater (208/240)	TCH048F1 only	FS/200	10
BAYHTRC111A	7.93/10.56 kW Heater (208/240)	TCH024-042C1,060F1	FS/200	10
BAYHTRC117A	12.98/17.28 kW Heater (208/240)①	TCH030-060C/F1	FS/200	23

① This model has a fuse box factory provided.

Features:

- Over (supply) under (return) air configuration
- **Climatuff®** compressor
- Compressor motor overload protection
- Internal pressure relief valve
- Copper tube, aluminum plate fin coils
- Pressure taps for refrigerant check
- Top discharge condensing fan
- Indoor fan relay
- Top access to supplementary heater
- Polarized plug for easy field connection of low voltage to supplementary heaters
- Heavy gauge steel cabinet
- Expansion valve on indoor coil
- Weather resistant Powder Paint
- Multi-speed direct drive blower motor
- Variable speed direct drive blower motor on TCH042C1, TCH048-060F models
- Factory installed wrap-around coil guard
- Low ambient cooling to 45°F as manufactured
- Low ambient cooling to 0°F with accessory BAYLOAM011A
- UL listed
- **5-year limited warranty on compressor, 5-year on other parts (Residential Use)**
- **Optional extended warranties**





2 — 3-1/2 Ton
TCH024 - 042C

XE 1300
Over/Under
Packaged Cooling

Comfort Controls:

Model Number	Description	Used With	Mfg. Plant	Shipping Weight
TCONT800	Electronic, 1 Htg/1 Clg (7 Day Prog.)	All Cooling / Heat Pump	TY	1
BAYSEN02ATEMPA	Outdoor Temperature Sensor	TCONT800A,802A,803A	TY	1
ZZSENSAL0800AA	Indoor Temperature Sensor	TCONT800A,802A,803A	TY	1
BAYCOVR600AA	Wall Cover Plate XL800,2,3	TCONT800A,802A,803A	TY	1
TCONT600	Electronic, 1 Htg/1 Clg (5 1/2 Day Prog.)	All Cooling/Heat Pump	TY	1
BAYCOVR700AA	Wall Cover Plate XL600	TCONT600A	TY	1
TCONT401	Electronic, 2 Htg/1 Clg (Non Prog.)	All Cooling/Heat Pump	TY	1
BAYSEN01ATEMPA	Outdoor Temp. Sensor	TCONT401,402	TY	1
TCONT200	Electronic, 1Htg/1Clg (Non Prog.)	All Cooling/Gas Models	TY	1
BAYSTAT253A	Humidistat	All Cooling Models	TY	1
BAYLOAM011A	Evaporator Defrost Control (Low-Ambient Cooling Kit)	All TCH Models	FS/200	5
BAYASCT001 [Ⓢ]	Anti-Short Cycle Timer	All TCH Models	FS/200	1

[Ⓢ] Do not use with programmable thermostats.

T **S** **C** **036** **A** **3** **R** **B** **A** ****** **C** **0** **0** **0** **A** **1** **0** **0** **0** **1** **A** **1**
 1 2 3 4,5,6 7 8 9 10 11 12,13 14 15 16 17 18 19 20 21 22 23 24 25

DIGIT 1 - Unit Function

T = DX Cooling
Y = DX Cooling, Gas Heat

DIGIT 2 - Efficiency

S = Standard Efficiency
H = High Efficiency®

DIGIT 3 - Airflow

C = Convertible

DIGITS 4,5,6 - Nominal Gross Cooling Capacity (MBh)

036 = 3 Ton
048 = 4 Ton
060 = 5 Ton
072 = 6 Ton
090 = 7.5 Ton, Single Compressor
092 = 7.5 Ton, Dual Compressors
102 = 8.5 Ton
120 = 10 Ton

DIGIT 7 - Major Design Sequence

A = First

DIGIT 8 - Unit Voltage

3 = 208-230/60/3
4 = 460/60/3
W = 575/60/3
K = 380/60/3

DIGIT 9 - Unit Controls

E = Electromechanical
R = ReliaTel™

DIGIT 10 - Heating Capacity

Note: Sequence may be any letter A through Z, or any digit 1 through 9.

0 = No Electric Heater
B = 6 kw (3 phase)
C = 9 kw (3 phase)
E = 12 kw (3 phase)
G = 18 kw (3 phase)
J = 23 kw (3 phase)
K = 27 kw (3 phase)
N = 36 kw (3 phase)
P = 54 kw (3 phase)

Note: Applicable to Digit 1, Y models only.

L = Low
M = Medium
H = High
X = Low, Stainless Steel Heat Exchanger
Y = Medium, Stainless Steel Heat Exchanger
Z = High, Stainless Steel Heat Exchanger

DIGIT 11 - Minor Design Sequence

A = First Sequence

DIGIT 12,13 - Service Sequence

** = Factory Assigned

DIGIT 14 - Fresh Air Selection

0 = No Fresh Air
A = Manual Outside Air Damper 0-50%^③
B = Motorized Outside Air Damper 0-50%
C = Economizer, Dry Bulb 0-100% without Barometric Relief^②
D = Economizer, Dry Bulb 0-100% with Barometric Relief^②

E = Economizer, Reference Enthalpy 0-100% without Barometric Relief^{①②}
F = Economizer, Reference Enthalpy 0-100% with Barometric Relief^{①②}
G = Economizer, Comparative Enthalpy 0-100% without Barometric Relief^{①②}
H = Economizer, Comparative Enthalpy 0-100% with Barometric Relief^{①②}

DIGIT 15 - Supply Fan/Drive Type/Motor

0 = Standard Drive^⑦
1 = Oversized Motor
2 = Optional Belt Drive Motor

DIGIT 16 - Hinged Service Access & Filters

0 = Standard Panels & Standard Filters
A = Hinged Access Panels & Standard Filters
B = Standard Panels & 2" Pleated Filters
C = Hinged Access Panels & 2" Pleated Filters

DIGIT 17 - Condenser Coil Protection

0 = Standard Coil
1 = Standard Coil with Hail guard
2 = Black Epoxy Coated Condenser Coil
3 = Black Epoxy Coated Condenser Coil with Hail Guard
4 = CompleteCoat™ Condenser Coil
5 = CompleteCoat™ Condenser Coil with Hail Guard

DIGIT 18 - Through the Base Provisions Models

Note: (Applicable to Digit 1, T or Y models)

0 = No Through the Base Provisions
A = Through the Base Electric^⑥

Note: (Applicable to Digit 1, Y models only)

B = Through the Base Gas Piping
C = Through the Base Electric and Gas Piping^⑥

DIGIT 19 - Disconnect/Circuit Breaker/Phase Monitor (3 phase only)

0 = No Disconnect or Circuit Breaker
1 = Non-Fused Disconnect^⑤
2 = Circuit Breaker^⑤
3 = Phase Monitor
4 = Phase Monitor & Non-Fused Disconnect Switch
5 = Phase Monitor & Circuit Breaker

DIGIT 20 - Convenience Outlet

0 = No Convenience Outlet
A = Unpowered Convenience Outlet
B = Powered Convenience Outlet (3 phase only)^③

DIGIT 21 - Communications Options^①

0 = No Communications Interface
1 = Trane Communications Intertace
2 = LonTalk® Communications Interface
3 = Novar 2024 Controls
4 = Novar 3051 Controls

DIGIT 22 - Refrigeration System Option

0 = Standard Refrigeration System^④

A = Thermal Expansion Valve (TXV)
B = Dehumidification (Hot Gas Reheat Coil)^{⑤⑥}

DIGIT 23 - Refrigeration Controls

0 = No Refrigeration Control
1 = High Pressure Control^{①⑥}
2 = Frostat^⑤
3 = Crankcase Heater^⑤
4 = High Pressure Control^{①⑥} and Frostat^⑤
5 = High Pressure Control^{①⑥} and Crankcase Heater^⑤
6 = Frostat^⑤ and Crankcase Heater^{⑤⑥}
7 = High Pressure Control,^{①⑥} Frostat^⑤ and Crankcase Heater^{⑤⑥}

DIGIT 24 - Smoke Detector

0 = No Smoke Detector
A = Return Air Smoke Detector^{⑧⑨}
B = Supply Air Smoke Detector
C = Supply and Return Air Smoke Detectors^⑧

DIGIT 25 - Monitoring Controls^①

0 = No Monitoring Control^⑧
1 = Clogged Filter Switch^⑧
2 = Fan Failure Switch^⑧
3 = Discharge Air Sensing Tube^⑧
4 = Clogged Filter Switch and Fan Fail Switch^⑧
5 = Clogged Filter Switch and Discharge Air Sensing Tube^⑧
6 = Fan Fail Switch and Discharge Air Sensing Tube^⑧
7 = Clogged Filter and Fan Fail Switches and Discharge Air Sensing Tube^⑧
8 = Novar Return Air Sensor^⑧

Model Number Notes

- ① Not available with electromechanical unit controls.
- ② Economizer with Barometric Relief is for downflow configured units only. Order Economizer without Barometric Relief for horizontal configuration. Barometric Relief for horizontal configured units must be ordered as field installed accessory.
- ③ Requires use of Disconnect or Circuit Breaker.
- ④ Standard refrigeration metering device – short orifice.
- ⑤ Frostat cannot be field installed in electro-mechanical units.
- ⑥ High Pressure control is standard on 3-phase units with scroll compressors and in 3 ton standard efficiency units.
- ⑦ Not available with High Temperature Stat accessory.
- ⑧ The return air smoke detector may not fit up or work properly on the Precedent units when used in conjunction with 3rd party accessories such as bolt on heat wheels, economizers and power exhaust. Do not order the return air smoke detectors when using this type of accessory.
- ⑨ Return Air Smoke Detector cannot be ordered with Novar Controls.
- ⑩ These options are standard when ordering Novar Controls.
- ⑪ This option is used when ordering Novar Controls.
- ⑫ Includes gas piping and shutoff (field assembly required).
- ⑬ The manual outside air damper will ship factory supplied within the unit, but must be field installed.
- ⑭ Requires selection of 2" Pleated Filters (option B or C) for Digit 16.
- ⑮ Through the base electric required when ordering disconnect/circuit breaker options.
- ⑯ Crankcase heaters are standard on 3 ton standard efficiency and 7.5 ton single compressor units.
- ⑰ Direct Drive (3-5 tons); Belt Drive (6-10 tons)
- ⑱ Not available on 6 ton units and all single phase or standard efficiency.
- ⑲ Available on 6-10 tons only.



3 — 10 Ton TSC036 - 120A

Precedent™ Packaged Cooling

Table 1 — Main Assembly — Standard Efficiency (Digits 1-8)

Model Number	Power Supply	Gross Capacity Cooling (BTUH)	SEER ^①	Uncrated Dimensions (in.)			Mfg. Plant	Shipping Weight
				H	W	L		
TSC036A3	208-230/60/3	37,400	10.7	32	43	69	LH	463
TSC048A3	208-230/60/3	49,200	10.0	32	43	69	LH	475
TSC060A3	208-230/60/3	63,100	10.2	36	43	69	LH	503
TSC072A3	208-230/60/3	72,000	10.3	41	53	89	LH	768
TSC090A3	208-230/60/3	90,000	10.3	41	53	89	LH	841
TSC092A3	208-230/60/3	90,000	10.3	41	53	89	LH	843
TSC102A3	208-230/60/3	105,000	10.5	47	53	89	LH	922
TSC120A3	208-230/60/3	117,000	10.5	47	53	89	LH	996
TSC036A4	460/60/3	37,400	10.7	32	43	69	LH	399
TSC048A4	460/60/3	49,200	10.0	32	43	69	LH	424
TSC060A4	460/60/3	63,100	10.2	36	43	69	LH	443
TSC072A4	460/60/3	72,000	10.3	41	53	89	LH	768
TSC090A4	460/60/3	90,000	10.3	41	53	89	LH	841
TSC092A4	460/60/3	90,000	10.3	41	53	89	LH	843
TSC102A4	460/60/3	105,000	10.5	47	53	89	LH	922
TSC120A4	460/60/3	117,000	10.5	47	53	89	LH	996
TSC036AW	575/60/3	37,400	10.7	36	43	69	LH	399
TSC048AW	575/60/3	49,200	10.0	36	43	69	LH	424
TSC060AW	575/60/3	63,100	10.2	36	43	69	LH	443
TSC072AW	575/60/3	72,000	10.3	41	53	89	LH	768
TSC090AW	575/60/3	90,000	10.3	41	53	89	LH	841
TSC092AW	575/60/3	90,000	10.3	41	53	89	LH	843
TSC102AW	575/60/3	105,000	10.5	47	53	89	LH	922
TSC120AW	575/60/3	117,000	10.5	47	53	89	LH	996

① 6-10 Ton is EER



3 — 10 Ton THC036 - 120A

Precedent™ Packaged Cooling

Table 2 — Main Assembly — High Efficiency (Digits 1-8)

Model Number	Power Supply	Gross Capacity Cooling (BTUH)	SEER ^①	Uncrated Dimensions (in.)			Mfg. Plant	Shipping Weight
				H	W	L		
THC036A3	208-230/60/3	38,000	12.5	32	43	69	LH	480
THC048A3	208-230/60/3	49,800	11.9	32	43	69	LH	522
THC060A3	208-230/60/3	62,400	12.2	36	43	69	LH	560
THC072A3	208-230/60/3	72,000	11.4	41	53	89	LH	805
THC092A3	208-230/60/3	90,000	11.4	47	53	89	LH	944
THC102A3	208-230/60/3	102,000	11.4	47	53	89	LH	980
THC120A3	208-230/60/3	116,000	11.5	47	53	89	LH	1069
THC036A4	460/60/3	38,000	12.5	32	43	69	LH	412
THC048A4	460/60/3	49,800	11.9	32	43	69	LH	458
THC060A4	460/60/3	62,400	12.2	36	43	69	LH	509
THC072A4	460/60/3	72,000	11.4	41	53	89	LH	805
THC092A4	460/60/3	90,000	11.4	47	53	89	LH	944
THC102A4	460/60/3	102,000	11.4	47	53	89	LH	980
THC120A4	460/60/3	116,000	11.5	47	53	89	LH	1069
THC036AW	575/60/3	38,000	12.5	36	43	69	LH	412
THC048AW	575/60/3	49,800	11.9	36	43	69	LH	458
THC060AW	575/60/3	62,400	12.2	36	43	69	LH	509
THC072AW	575/60/3	72,000	11.4	41	53	89	LH	805
THC092AW	575/60/3	90,000	11.4	47	53	89	LH	944
THC102AW	575/60/3	102,000	11.4	47	53	89	LH	980
THC120AW	575/60/3	116,000	11.5	47	53	89	LH	1069

① 6-10 Ton is EER

Table 3 — Unit Controls (Digit 9)

Tons	Electro-Mechanical (E)	ReliaTel™ (R)
3	\$ Included	
4	\$ Included	
5	\$ Included	
6	\$ Included	
7.5	\$ Included	
8.5	\$ Included	
10	\$ Included	



3 — 10 Ton
TSC036 - 120A
THC036 - 120A

**Precedent™
Packaged
Cooling**

Table 4 — Electric Heaters 3-5 Tons (Digit 10)

KW Rating	Select Digit	Power Supply	Nominal BTUH	No. of Stages	Used With
4.5/6.0	(B)	208/240/60/3	13,400/20,500	1	T*C036-060A3
9.0/12.0	(E)	208/240/60/3	30,800/59,400	2	T*C036-060A3
13.2/17.6	(G)	208/240/60/3	44,600/59,400	2	T*C036-060A3
17.2/23.0	(J)	208/240/60/3	58,900/78,500	2	T*C060A3
6.0	(B)	460/60/3	20,500	1	T*C036-060A4
12.0	(E)	460/60/3	41,000	2	T*C036-060A4
17.6	(G)	460/60/3	59,400	2	T*C036-060A4
23.0	(J)	460/60/3	78,500	2	T*C060A4
6.0	(B)	575/60/3	20,500	1	T*C036-060AW
12.0	(E)	575/60/3	41,000	2	T*C036-060AW
17.6	(G)	575/60/3	59,400	2	T*C036-060AW
23.0	(J)	575/60/3	78,500	2	T*C060AW

Table 4 — Electric Heaters 6-10 Tons (Digit 10) - Continued

KW Rating	Select Digit	Power Supply	Nominal BTUH	No. of Stages	Used With
6.75/9.0	(C)	208/240/60/3	23,000/30,700	1	T*C072-102A3
13.5/18.0	(G)	208/240/60/3	46,100/61,400	1	T*C072-120A3
20.3/27.0	(K)	208/240/60/3	69,000/92,100	2	T*C072-120A3
27.0/36.0	(N)	208/240/60/3	92,200/122,900	2	T*C072-120A3
40.5/54.0	(P)	208/240/60/3	138,200/184,300	2	T*C120A3
9.0	(C)	460/60/3	30,700	1	T*C072-102A4
18.0	(G)	460/60/3	61,400	1	T*C072-120A4
27.0	(K)	460/60/3	92,100	2	T*C072-120A4
36.0	(N)	460/60/3	122,900	2	T*C072-120A4
54.0	(P)	460/60/3	184,300	2	T*C120A4
9.0	(C)	575/60/3	30,700	1	T*C072-102AW
18.0	(G)	575/60/3	61,400	1	T*C072-120AW
27.0	(K)	575/60/3	92,100	2	T*C072-120AW
36.0	(N)	575/60/3	122,900	2	T*C072-120AW
54.0	(P)	575/60/3	184,300	2	T*C120AW



3 — 10 Ton
TSC036 - 120A
THC036 - 120A

**Precedent™
Packaged
Cooling**

Table 5 — Fresh Air Selection (Digit 14)

Tons	0-50% ^④ Manual OA Damper (A)	0-50% Motorized OA Damper (B)	0-100% ^② Economizer Dry Bulb without Barometric Relief (C)	0-100% ^② Economizer Dry Bulb with Barometric Relief (D)
3				
4				
5				
6				
7.5				
8.5				
10				

Table 5 — (Continued) Fresh Air Selection (Digit 14)

Tons	0-100% ^{①②} Economizer Reference Enthaply without Barometric Relief (E)	0-100% ^{①②③} Economizer Reference Enthaply with Barometric Relief (F)	0-100% ^{①②} Economizer Comparative Enthaply without Barometric Relief (G)	0-100% ^{①②③} Economizer Comparative Enthaply With Barometric Relief (H)
3				
4				
5				
6				
7.5				
8.5				
10				

- ① Not available with electro-mechanical unit controls.
- ② Economizer with Barometric Relief is for downflow configured units only. Order Economizer without Barometric Relief for horizontal configuration. Barometric relief for horizontal configured units must be ordered as field installed accessory BAYBARM010A.
- ③ Barometric Relief cannot be used with Power Exhaust.
- ④ The Manual Outside Air Damper will ship factory supplied (field installed) within the unit. The option will no longer be factory installed.

Table 6 — Supply Fan Drive Type/Motor (Digit 15)

Tons	Standard ^② Motor (0)	Oversized ^③ Motor (1)	Optional ^① Belt Drive Motor (2)
3	\$ Included		
4	\$ Included		
5	\$ Included		
6	\$ Included		—
7.5	\$ Included		—
8.5	\$ Included		—
10	\$ Included		—

- ① Available for 3 phase 3-5 ton models only.
- ② 3-5 ton standard motor is direct drive. 6-10 ton standard motor is belt drive.
- ③ 3-5 ton oversized motor is direct drive. 6-10 ton oversized motor is belt drive.



3 — 10 Ton
 TSC036 - 120A
 THC036 - 120A

**Precedent™
 Packaged
 Cooling**

Table 7 — Hinged Service Access & Filters(Digit 16)

Tons	Standard Panels & Filters (0)	Hinged Access Panels & Filters (A)	Standard Panels & 2" Pleated Filters (B)	Hinged Access Panels & 2" Pleated Filters (C)
3	\$ Included			
4	\$ Included			
5	\$ Included			
6	\$ Included			
7.5	\$ Included			
8.5	\$ Included			
10	\$ Included			

Table 8 — Condenser Coil Protection (Digit 17)

Tons	Standard Coil (0)	Standard Coil with Hail Guard(1)	Epoxy Coated Condenser Coil (2)	Epoxy Coated Condenser Coil with Hail Guard (3)
3	\$ Included			
4	\$ Included			
5	\$ Included			
6	\$ Included			
7.5	\$ Included			
8.5	\$ Included			
10	\$ Included			

Table 8 — (Continued) Condenser Coil Protection (Digit 17)

Tons	CompleteCoat™ Condenser Coil (4)	CompleteCoat™ Condenser Coil with Hail Guard (5)
3		
4		
5		
6		
7.5		
8.5		
10		

Table 9 — Through the Base Provisions (Digit 18)

Tons	Through the Base Electric (A)
3	
4	
5	
6	
7.5	
8.5	
10	



3 — 10 Ton
 TSC036 - 120A
 THC036 - 120A

**Precedent™
 Packaged
 Cooling**

Table 10 — Disconnect/Circuit Breaker/Phase Monitor^{①②③④} (Digit 19)

Tons	Unit Mounted Non-Fused Disconnect Switch (1)	Unit Mounted Circuit Breaker (2)	Phase Monitor (3)	Phase Monitor & Non-Fused Disconnect Switch (4)	Phase Monitor & Circuit Breaker (5)
3					
4					
5					
6					
7.5					
8.5					
10					

- ① Disconnect/Circuit Breaker/Phase Monitor is available for 3 phase models only.
- ② Must order Through the Base option when ordering disconnect or Breaker.
- ③ Phase Monitor is available with ReliaTel™ models only.
- ④ Phase monitor will be standard on T_C060A3,4,W (three phase).

Table 11 — Convenience Outlet (Digit 20)

Tons	Unpowered Convenience Outlet (A)	Powered ^{①②} Convenience Outlet (B)
3		
4		
5		
6		
7.5		
8.5		
10		

- ① Powered Convenience Outlet Option is available for 3 phase models only.
- ② Requires use of Disconnect or Circuit Breaker.

Table 12 — Communications Options (Digit 21) ①

Tons	Comm-3/4 Communications Interface (1)	LonTalk Communications Interface (2)	Novar 2024 Controls (3)	Novar 3051 Controls (4)
3				
4				
5				
6				
7.5				
8.5				
10				

- ① Not Available with Electro-Mechanical Controls.



3 — 10 Ton
TSC036 - 120A
THC036 - 120A

**Precedent™
Packaged
Cooling**

Table 13 — Refrigeration System Control (Digit 22)

Tons	Standard ^① Refrigeration System Control (0)	Thermal Expansion Valve (A)	Dehumidification (Hot Gas Reheat Coil) ^{②③④⑤⑥} (B)
3	\$ Included		
4	\$ Included		
5	\$ Included		
6	\$ Included		N/A
7.5	\$ Included		
8.5	\$ Included		
10	\$ Included		

- ① Standard Refrigeration Metering Device - Short Orifice.
- ② Not available on standard efficiency models, single phase units or with electromechanical controls.
- ③ Crankcase heaters, TXV's, Froststat™, high and low pressure switches, face-split evaporator coil and 2" pleated filters standard with this option.
- ④ Belt drive standard. Do not select Digit 15=2 (Optional Belt Drive Motor).
- ⑤ Not available on heat pumps.
- ⑥ Requires selection of 2" Pleated Filters (Option B or C) under Digit 16.

Table 14 — Refrigeration Controls (Digit 23)

Tons	High Pressure Control ^{①③⑤} (1)	Froststat ^② (2)	Crankcase ^④ Heater (3)	High Pressure Control ^{①③⑤} and Froststat ^② (4)	High Pressure Control ^{①③⑤} and Crankcase Heater ^④ (5)
3					
4			N/A		
5			N/A		
6	N/A		N/A		
7.5	N/A				
8.5	N/A		N/A		
10	N/A		N/A		

Table 14 — (Continued) Refrigeration Controls (Digit 23)

Tons	Froststat ^② and Crankcase Heater ^③ (6)	High Pressure Control ^{①④} Froststat ^② and Crankcase Heater ^③ (7)
3		
4		
5		
6		
7.5		
8.5		
10		

- ① Not available with Electro-Mechanical Controls.
- ② Froststat cannot be field installed in electro mechanical units.
- ③ Crankcase Heater is standard in TSC036A and TSC090A.
- ④ High Pressure Control is standard on all three-phase models. High pressure control is a selectable item on the following models: 4 and 5 ton single-phase (standard and high efficiency) and 3 ton high efficiency single-phase.



3 — 10 Ton
 TSC036 - 120A
 THC036 - 120A

**Precedent™
 Packaged
 Cooling**

Table 15 — Smoke Detector (Digit 24) ①②③

Tons	Return Air Smoke Detector ^④ (A)	Supply Air Smoke Detector (B)	Supply and Return Air Smoke Detector ^④ (C)
3			
4			
5			
6			
7.5			
8.5			
10			

- ① Not available with Electro-Mechanical Controls.
- ② Not available with BAYFRST001A High Temperature Stat accessory.
- ③ The return air smoke detector may not fit up or work properly on the Precedent units when used in conjunction with 3rd party accessories (such as bolt on heat wheels, economizers, and power exhaust). Do not order the return air smoke detectors when using this type of accessory.
- ④ Return Air Smoke Detector cannot be ordered with Novar Controls.

Table 16 — Monitoring Controls (Digit 25) ①

Tons	Clogged Filter Switch ^② (1)	Fan Failure Switch ^② (2)	Discharge Air Sensing Tube ^② (3)	Clogged Filter Switch and Fan Fail Switch ^② (4)
3				
4				
5				
6				
7.5				
8.5				
10				

Table 16 — (Continued) Monitoring Controls (Digit 25) ①

Tons	Clogged Filter Switch and Discharge Air Sensing Tube ^{②④} (5)	Fan Fail Switch and Discharge Air Sensing Tube ^{②④} (6)	Clogged Filter and Fan Fail Switches and Discharge Air Sensing Tube ^{②④} (7)	Novar Return Air Sensor ^③ (8)
3				
4				
5				
6				
7.5				
8.5				
10				

- ① Not available with Electro-Mechanical Controls.
- ② These options are standard when ordering Novar Controls.
- ③ This option for use when ordering Novar Control only.
- ④ Combination of Discharge Air Sensing option, Economizer option and Tracer Summit or Tracker, Version 10 requires use of Tracer™ LCI-R Communications Interface. For jobs requiring true discharge air sensing with Tracer/Tracker COMM-3 or COMM-4, contact Clarksville Light Commercial Marketing Support.



3 — 5 Ton
 TSC036 - 060A
 THC036 - 060A

**Precedent™
 Packaged
 Cooling**

Accessory Electric Heaters: Unit with heater is single circuit / single point power entry

Model Number	Power Supply	KW Rating	Nominal BTUH	No. of Stages	Used With	Mfg. Plant	Shipping Weight
BAYHTRR306A	208/240/60/3	4.5/6.0	13,400/ 20,500	1	T*C036-060A3	SH	20
BAYHTRR312A	208/240/60/3	9.0/12.0	30,800/ 41,000	2	T*C036-060A3	SH	20
BAYHTRR318A	208/240/60/3	13.1/17.4	44,600/ 59,400	2	T*C036-060A3	SH	20
BAYHTRR323A	208/240/60/30	17.3/23.0	58,900/ 78,500	2	T*C060A3	SH	20
BAYHTRR406A	460/60/3	6.0	20,500	1	T*C036-060A4	SH	20
BAYHTRR412A	460/60/3	12.0	41,000	2	T*C036-060A4	SH	20
BAYHTRR418A	460/60/3	17.4	59,400	2	T*C036-060A4	SH	20
BAYHTRR423A	460/60/3	23.0	78,500	2	T*C060A4	SH	20
BAYHTRRW06A	575/60/3	6.0	20,500	1	T*C036-060AW	SH	20
BAYHTRRW12A	575/60/3	12.0	41,000	2	T*C036-060AW	SH	20
BAYHTRRW18A	575/60/3	17.4	59,400	2	T*C036-060AW	SH	20
BAYHTRRW23A	575/60/3	23.0	78,500	2	T*C060AW	SH	20



6 — 10 Ton
TSC072 - 120A
THC072 - 120A

Precedent™
Packaged
Cooling

Accessory Electric Heaters: Unit with heater is single circuit / single point power entry

Model Number	Power Supply	KW Rating	Nominal BTUH	No. of Stages	Used With	Mfg. Plant	Shipping Weight
BAYHTRS309A	208/240/60/3	6.75/9.0	23,000/ 30,700	1	T*C072A3 TSC090,092A3	SH	26
BAYHTRT309A	208/240/60/3	6.75/9.0	23,000/ 30,700	1	THC092A3, T*C102A3	SH	26
BAYHTRS318A	208/240/60/3	13.5/18.0	46,100/ 61,400	1	T*C072A3 TSC090,092A3	SH	28
BAYHTRT318A	208/240/60/3	13.5/18.0	46,100/ 61,400	1	THC092A3 T*C102,120A3	SH	28
BAYHTRS327A	208/240/60/3	20.3/27.0	69,000/ 92,100	2	T*C072A3 TSC090,092A3	SH	26
BAYHTRT327A	208/240/60/3	20.3/27.0	69,000/ 92,100	2	T*C102,120A3 THC092A	SH	26
BAYHTRS336A	208/240/60/3	27.0/36.0	92,200/ 122,900	2	T*C072A3 TSC090,092A3	SH	31
BAYHTRT336A	208/240/60/3	27.0/36.0	92,200/ 122,900	2	THC092A3 T*C102,120A3	SH	31
BAYHTRT354A	208/240/60/3	40.5/54.0	138,200/ 184,300	2	T*C120A3	SH	38
BAYHTRS409A	460/60/3	9.0	30,700	1	T*C072A4, TSC090,092A4	SH	26
BAYHTRT409A	460/60/3	9.0	30,700	1	THC092A4, T*C102A4	SH	26
BAYHTRS418A	460/60/3	18.0	61,400	1	T*C072A4, TSC090,092A4	SH	28
BAYHTRT418A	460/60/3	18.0	61,400	1	THC092A4, T*C102,120A4	SH	28
BAYHTRS427A	460/60/3	27.0	92,100	2	T*C072A4, TSC090,092A4	SH	26
BAYHTRT427A	460/60/3	27.0	92,100	2	THC092A4, T*C102,120A4	SH	26
BAYHTRS436A	460/60/3	36.0	122,900	2	T*C072A4, TSC090,092A4	SH	31
BAYHTRT436A	460/60/3	36.0	122,900	2	THC092A4, T*C102-120A4	SH	31
BAYHTRT454A	460/60/3	54.0	184,300	2	T*C120A4	SH	38
BAYHTRSW09A	575/60/3	9.0	30,700	1	T*C072AW, TSC090,092AW	SH	26
BAYHTRSW18A	575/60/3	18.0	61,400	1	T*C072AW TSC090,092AW	SH	28
BAYHTRTW18A	575/60/3	18.0	61,400	1	THC092AW T*C102,120AW	SH	28
BAYHTRSW27A	575/60/3	27.0	92,100	2	T*C072AW, TSC090,092AW	SH	26
BAYHTRTW27A	575/60/3	27.0	92,100	2	THC092AW, T*C102,120AW	SH	26
BAYHTRSW36A	575/60/3	36.0	122,900	2	T*C072AW TSC090,092AW	SH	31
BAYHTRTW36A	575/60/3	60	122,900	2	THC092AW T*C102,120AW	SH	31
BAYHTRTW54A	575/60/3	54.0	184,300	2	T*C120AW	SH	38



3 — 10 Ton
TSC036 - 120A
THC036 - 120A

Precedent™
Packaged
Cooling

Accessories:

Model Number	Description	Used With	Mfg. Plant	Shipping Weight
BAYCURB042A ^①	Roof Curb	T*C036-060A	LH	80
BAYCURB043A ^①	Roof Curb	T*C072-120A	LH	115
BAYQACB009A ^①	Quick Adapt Roof Curb ^{③⑥}	T*C036-060A ^③	LH	100
BAYQACB010A ^①	Quick Adapt Roof Curb ^{③⑥}	T*C036-060A ^③	LH	120
BAYQACB011A ^①	Quick Adapt Roof Curb ^③	T*C072-120A ^⑤	LH	125
BAYQACB012A ^①	Quick Adapt Roof Curb ^③	T*C072-120A ^⑤	LH	130
BAYQACB013A ^①	Quick Adapt Roof Curb ^③	T*C072-120A ^⑤	LH	150
BAYECON085A ^②	0-100% Dry BulbEconomizer without Barometric Relief	T*C036-060A_R	LH	40
BAYECON086A ^④	0-100% Dry Bulb Economizer without Barometric Relief	T*C036-060A_E	LH	40
BAYECON087A ^②	0-100% Dry BulbEconomizer without Barometric Relief	T*C072-120A_R	LH	40
BAYECON088A ^④	0-100% Dry Bulb Economizer without Barometric Relief	T*C072-120A_E	LH	40
BAYDMPR051A ^②	0-50% Motorized Outside Air Damper	T*C036-060A-R	LH	30
BAYDMPR052A ^④	0-50% Motorized Outside Air Damper	T*C036-060A-E	LH	30
BAYDMPR054A ^②	0-50% Motorized Outside Air Damper	T*C072-120A-R	LH	30
BAYDMPR055A ^④	0-50% Motorized Outside Air Damper	T*C072-120A-E	LH	30
BAYDMPR053B	0-50% Manual Outside Air Damper	T*C036-060A	LH	25
BAYDMPR056B	0-50% Manual Outside Air Damper	T*C072-120A	LH	26
BAYHSMT073A	.45 HP Direct Drive Oversized Motor	T*C036A3	LH	25
BAYHSMT074A	.45 HP Direct Drive Oversized Motor	T*C036A4	LH	25
BAYHSMT075A	.45 HP Direct Drive Oversized Motor	T*C036AW	LH	25
BAYHSMT076A	.75 HP Direct Drive Oversized Motor	T*C048A3	LH	30
BAYHSMT077A	.75 HP Direct Drive Oversized Motor	T*C048A4	LH	30
BAYHSMT078A	.75 HP Direct Drive Oversized Motor	T*C048AW	LH	30
BAYHSMT079A	1.2 HP Direct Drive Oversized Motor	T*C060A3	LH	45
BAYHSMT080A	1.2 HP Direct Drive Oversized Motor	T*C060A4	LH	45
BAYHSMT081A	1.2 HP Direct Drive Oversized Motor	T*C060AW	LH	45
BAYHSMT082A	2 HP Belt Drive Oversized Motor	T*C072A3,A4	LH	25
BAYHSMT083A	2 HP Belt Drive Oversized Motor	T*C072AW	LH	25
BAYHSMT084B	3 HP Belt Drive Oversized Motor	TSC090,092A3,A4	LH	25
BAYHSMT085B	3 HP Belt Drive Oversized Motor	TSC090,092AW	LH	30
BAYHSMT086A	3 HP Belt Drive Oversized Motor	T*C102A3,A4 THC092A3,A4	LH	30
BAYHSMT087A	3 HP Belt Drive Oversized Motor	T*C102AW,THC092AW	LH	30
BAYHSMT088A	5 HP Belt Drive Oversized Motor	T*C120A3,A4	LH	45
BAYHSMT089A	5 HP Belt Drive Oversized Motor	T*C120AW	LH	45
BAYHSDR012A	High Static Drive Kit	T*C072A,TSC090,092A	LH	2
BAYGARD036B	Tool-less Condenser Coil Hail Guard	TSC036-060A THC036,048A	LH	10
BAYGARD037B	Tool-less Condenser Coil Hail Guard	THC060A	LH	10
BAYGARD040B	Tool-less Condenser Coil Hail Guard	TSC072,090 THC072A	LH	20
BAYGARD041B	Tool-less Condenser Coil Hail Guard	TSCH102,120A THC092,102,120A	LH	20

① Lynn Haven Manufacturing has a No-Return policy for this roof curb.

② For use with ReliaTel™ controlled units only

③ BAYQACB009A adapts Voyager BAYCURB021B to accept Precedent 3-5 ton unit. BAYQACB010A adapts Voyager BAYCURB022B to accept Precedent 3-5 unit.

④ For use with electromechanical controlled units only.

⑤ BAYQACB011A adapts Voyager BAYCURB022 to accept Precedent 6-10 ton unit. BAYQACB012A adapts Voyager BAYCURB025B to accept Precedent 6-10 ton unit. BAYQACB013A adapts Voyager BAYCURB026B to accept Precedent 6-10 ton unit.

⑥ TCD036A, TCD048A, TCD060A, WCD036A, WCD048A, WCD060A are not Voyager units. These units were manufactured in Ft. Smith, AR and will not fit any Voyager curbs.

* Either standard or high efficiency models

Accessories - Continued:

Model Number	Description	Used With	Mfg. Plant	Shipping Weight
BAYABRD001C	ReliaTel™ Options Module	See Note⑦	LH	2
BAYBARM010A⑤	Barometric Relief	T*C036-060A	LH	20
BAYBARM011A⑤	Barometric Relief	T*C072-120A	LH	10
BAYPWRX026A⑩	Power Exhaust	T*C072-120A3	LH	80
BAYPWRX027A⑩	Power Exhaust	T*C072-120A4	LH	80
BAYPWRX028A⑩⑫	Power Exhaust	T*C072-120AW	LH	80
BAYCO2K001B	CO ₂ Sensor Kit, Wall Mounted	T*C036-120A*R W/Econ. or Motorized OA Damper	LH	3
BAYCO2K003B	CO ₂ Sensor Kit, Duct Mounted	T*C036-120A*R W/Econ. or Motorized OA Damper	LH	3.5
BAYCCHT010B⑫	Crankcase Heater	THC036-072A3 TSC048-072A3 T*C092-120A3	LH	2
BAYCCHT011B⑫	Crankcase Heater	THC036-072A4,AW TSC048-072A4,AW T*C092-120A4,AW	LH	2
BAYCCHT012A	Crankcase Heater	T*C090A3	LH	2
BAYCCHT013A	Crankcase Heater	T*C090A4	LH	2
BAYCCHT014A	Crankcase Heater	T*C090AW	LH	2
BAYSTAT023④	Remote Potentiometer	BAYECON085A,087A	CK/001	1
BAYSERV001A④	Selective Resistance Service Tester	T*C036-120A_R	LH	2
BAYSENS016A④	Temperature Sensor	T*C036-120A_R	LH	1
BAYFRST001A③⑧	High Temperature Stat	T*C036-120A_R	CK/001	2
BAYENTH005A①④	Reference Enthalpy Kit	BAYECON085A,087A	LH	1
BAYENTH006B①④	Comparative Enthalpy Kit	BAYECON085A,087A	LH	1
BAYENTH001A	Enthalpy Control (Solid State)	BAYECON0086A,088A	CK/001	2
BAYDFPS003B④⑦	Clogged Filter Switch	T*C036-120A_R	LH	1
BAYDFPS004A④⑦	Fan Failure Switch	T*C036-120A_R	LH	1
BAYTUBE005A③④⑦	Discharge Air Sensing Kit	T*C036-060A_R	LH	1
BAYTUBE007A③④⑦	Discharge Air Sensing Kit	T*C072-120A_R	LH	1
BAYICSI003A③⑨	Comm-3/4 Trane Communications Interface	T*C036-120A_R	LH	1
BAYLTCI002B④⑩	Comm-3/4 LonTalk Communications Interface	T*C036-120A_R	LH	1
BAYASCT001 ⑧	Anti-Short-Cycle Timer	T*C036-120A_E	CK/001	1
BAYLOAM020B②④⑦	Evaporator Defrost Control (Frostat)	T*C036-120A_R		
BAYLSDR006A⑬	Low Static Drive Kit	THC036A3,4,WR	LH	2
BAYLSDR007A⑬	Low Static Drive Kit	THC048A3,4,WR	LH	2
BAYLSDR008A⑬	Low Static Drive Kit	THC060A3,4,WR	LH	2
BAYLSDR009A⑬	Low Static Drive Kit	THC092-102A3,4,WR	LH	2
BAYLSDR010A⑬	Low Static Drive Kit	THC120A3,4,WR	LH	2
BAYVNOR001B⑬	Ventilation Override Kit	T*C036-120A*R W/ReliaTel™ Options Module	LH	2.5

① Kits contain all necessary parts to achieve desired level of enthalpy control.

② For ReliaTel™ microprocessor controlled units only. Must be factory installed for electromechanical controlled units

③ Used for true discharge air sensing in both heating and cooling. Required for supply air tempering.

④ For use with ReliaTel™ controlled units only

⑤ Barometric Relief accessory installs in ductwork for horizontal configuration. For downflow configuration, installs in the unit's horizontal return duct. See Installer's Guide for complete instructions.

⑥ Cannot be used in conjunction with factory installed smoke detector.

⑦ BAYABRD001C is required when ordering field installed accessories Clogged Filter Switch (BAYDFPS003A), Fan Fail Switch (BAYDFPS004A), Discharge Air Sensing Kit (BAYTUBE004A) or Evaporator Defrost Control (Frostat) (BAYLOAM020B) unless the following options are factory installed: Frostat, Smoke Detector, Clogged Filter Switch, Fan Failure Switch, Discharge Air Sensing Kit. These factory installed options include the ReliaTel™ Options Module.

⑧ For use with electromechanical controlled units only.

⑨ Interface allows a unit with ReliaTel™ Controls to communicate with Tracer 100, Tracker, VariTrac II, and is the preferred method of communication to Tracer Summit.

⑩ Interface allows a unit with ReliaTel™ Controls to communicate as a Trane LonTalk device or directly with generic LonTalk Network BAS Controls.

⑪ Cannot be used in conjunction with Barometric Relief. Order Economizer without Barometric Relief.

⑫ Quantity 2 required for T*C092-120A

⑬ Available for Cooling Units only



3 — 10 Ton
TSC036 - 120A
THC036 - 120A

Precedent™
Packaged
Cooling

Zone Sensors for ReliaTel™ Controlled Units:

Model Number	Description	Used with	Mfg. Plant	Shipping Weight
BAYSENS006B	Single Setpoint Manual Changeover	T*C036-120A_R	CK/001	1
BAYSENS008B	Dual Setpoint Manual or Auto Changeover	T*C036-120A_R	CK/001	1
BAYSENS010B	Dual Setpoint Man. or Auto Changeover with System Function Lights	T*C036-120A_R	CK/001	1
BAYSENS019C③	Programmable Night Setback w/System Function Lights	T*C036-120A_R	CK/001	1
BAYSENS013C①	Room Sensor w/ Override and Cancel Buttons	T*C036-120A_R	CK/001	1
BAYSENS014C①	Room Sensor w/ Temp. Adjustment with Override and Cancel Buttons	T*C036-120A_R	CK/001	1
BAYSENS017B	Remote Room Sensor	BAYSENS006B,008B,010B, & 019C	CK/001	1
BAYSENS032A③	Dual Thermistor Remote Zone Sensor	T*C036-120A_R	CK/001	1
BAYSENS035A③	Digital Display Zone Sensor	T*C036-120A_R	CK/001	1
BAYSENS036A	Wall-Mounted Humidity Zone Sensor	THC036-120A_R	CK/001	1
BAYSENS037A	Duct-Mounted Humidity Zone Sensor	THC036-120A_R	CK/001	1
BAYMTPL003B	Retrofit Wall Cover Plate Kit 7.25" x 6.0"	BAYSENS019C	CK/001	1
BAYMTPL004B	Retrofit Wall Cover Plate Kit 4.75" x 4.75"	BAYSENS006,008,010B,013,014C,017B	CK/001	1

① Used with Integrated Comfort™ Systems, any unit type. These sensors do not work with TCM. Consult BASD Marketing for them.

② See Accessory IOM for operational characteristics.

③ Functional only with ReliaTel™ controls.

* Either standard or high efficiency models

Thermostats:

Model Number	Description	Used with	Mfg. Plant	Shipping Weight
BAYSTAT040A②④	Programmable Thermostat	T*C036-120A	CK/001	1
BAYBASE008A	Subbase 1-Stage Htg./Clg.	BAYSTAT040A	CK/001	1
BAYBASE006A	Subbase 2-Stage Htg./Clg.	BAYSTAT040A	CK/001	1
BAYSENS033A	Remote Wall Sensor	BAYSTAT040A	CK/001	1
BAYSENS034A	Remote Duct Sensor	BAYSTAT040A	CK/001	1
TCONT200AN11AA	Electronic, 1Htg/1Clg (Non Prog.)	All Cooling/(Gas or Elec)	TY	1
BAY28X190③	Locking Thermostat Cover for up to 4 units	Room Thermostats	TY	1
BAY24X042	DPDT Fan and Electric Heat Relay	BAYSTAT051,052	TY	1
BAYSTAT050A	2Htg/2Clg Digital Display Programmable Thermostat	T*C036-120A	CK/001	1
BAYSTAT051A	1Htg/1Clg Digital Display Thermostat	T*C036-060A	CK/001	1
BAYSTAT052A	2Htg/2Clg Digital Display Programmable "TOUCHSCREEN" Thermostat	T*C036-120A	CK/001	1
BAYSTAT053A	3Htg/2Clg Digital Display Programmable Thermostat with Relative Humidity Sensing Built-In	T*C036-120A (with Dehumidification Option)	CK/001	1
BAYSTAT055A	3Htg/2Clg Digital Display Thermostat	T*C036-120A	CK/001	1
BAYSTAT059A	Return Air Remote Sensor	BAYSTAT050A,051A,052A,053A	CK/001	1
BAYSTAT060A	Wall Mounted Remote Sensor	BAYSTAT050A,051A,052A,053A	CK/001	1

① Requires DPDT Fan and Electric Heat Relay BAY24x042 when using electric heat.

② Requires use of subbase BAYBASE006A or BAYBASE008A.

③ Do not use with programmable thermostats.

④ Thermostat does not include fan or system switches.



Model Nomenclature

Precedent™ Packaged Cooling

T H C 033 A 3 R B A ** C 0 0 0 A 1 0 0 0 0 A 1
 1 2 3 4,5,6 7 8 9 10 11 12,13 14 15 16 17 18 19 20 21 22 23 24 25

DIGIT 1 - Unit Function

T = DX Cooling

DIGIT 2 - Efficiency

H = High Efficiency

DIGIT 3 - Airflow

C = Convertible

DIGITS 4,5,6 - Nominal Gross Cooling Capacity (MBh)

033 = 3 Ton

043 = 4 Ton

063 = 5 Ton

DIGIT 7 - Major Design Sequence

A = R-22 Refrigerant

DIGIT 8 - Unit Voltage

3 = 208-230/60/3

4 = 460/60/3

W = 575/60/3

DIGIT 9 - Unit Controls

E = Electro-Mechanical

R = ReliaTel™ Micro-processor

DIGIT 10 - Electric Heater

0 = No Electric Heater

B = 6 kW (3 phase)

C = 9 kW (3 phase)

E = 12 kW (3 phase)

G = 18 kW (1 and 3 phase)

J = 23 kW (3 phase)

DIGIT 11 - Minor Design Sequence

A = First Sequence

DIGIT 12,13 - Service Sequence

** = Factory Assigned

DIGIT 14 - Fresh Air Selection

0 = No Fresh Air

A = Manual Outside Air Damper 0-50%

B = Motorized Outside Air Damper 0-50%

C = Economizer, Dry Bulb 0-100% without Barometric Relief

D = Economizer, Dry Bulb 0-100% with Barometric Relief

E = Economizer, Reference Enthalpy 0-100% without Barometric Relief

F = Economizer, Reference Enthalpy 0-100% with Barometric Relief

G = Economizer, Comparative Enthalpy 0-100% without Barometric Relief

H = Economizer, Comparative Enthalpy 0-100% with Barometric Relief

DIGIT 15 - Supply Fan/Drive Type/Motor

0 = Standard Drive

DIGIT 16 - Hinged Service Access & Filters

0 = Standard Panels & Filters

A = Hinged Access Panels & Standard Filters

B = Standard Panels & 2" Pleated Filters

C = Hinged Access Panels & 2" Pleated Filters

DIGIT 17 - Condenser Coil Protection

0 = Standard Coil

1 = Standard Coil with Hail Guard

2 = Epoxy Coated Condenser Coil

3 = Epoxy Coated Condenser Coil with Hail Guard

4 = CompleteCoat™ Condenser Coil

5 = CompleteCoat™ Condenser Coil with Hail Guard

DIGIT 18 - Through the Base Provisions

0 = No Through the Base Provisions

A = Through the Base Electric

DIGIT 19 - Disconnect/Circuit Breaker Phase Monitor (3 phase only)

0 = No Disconnect, Circuit Breaker or Phase Monitor

1 = Unit Mounted Non-Fused Disconnect

2 = Unit Mounted Circuit Breaker

3 = Phase Monitor

4 = Phase Monitor and Non-Fused Disconnect Switch

5 = Phase Monitor and Circuit Breaker

DIGIT 20 - Convenience Outlet

0 = No Convenience Outlet

A = Unpowered Convenience Outlet

B = Powered Convenience Outlet (3 phase only)

DIGIT 21 - Communications Options

0 = No Communications Interface

1 = Comm-3/4 Trane Communications Interface

2 = LonTalk® Communications Interface

3 = Novar 2024 Controls

4 = Novar 3051 Controls

DIGIT 22 - Refrigeration System Option

0 = Standard Refrigeration System

B = Dehumidification (Hot Gas Reheat Coil)

DIGIT 23 - Refrigeration Controls

0 = No Refrigeration Control

1 = High Pressure Control

2 = Frostat

3 = Crankcase Heater

4 = High Pressure Control and Frostat

5 = High Pressure Control and Crankcase Heater

6 = Frostat and Crankcase Heater

7 = High Pressure Control, Frostat and Crankcase Heater

DIGIT 24 - Smoke Detector

0 = No Smoke Detector

A = Return Air Smoke Detector

B = Supply Air Smoke Detector

C = Supply and Return Air Smoke Detectors

DIGIT 25 - Monitoring Controls

0 = No Monitoring Control

1 = Clogged Filter Switch

2 = Fan Failure Switch

3 = Discharge Air Sensing Tube

4 = Clogged Filter Switch and Fan Fail Switch

5 = Clogged Filter Switch and Discharge Air Sensing Tube

6 = Fan Fail Switch and Discharge Air Sensing Tube

7 = Clogged Filter and Fan Fail Switches and Discharge Air Sensing Tube

8 = Novar Return Air Sensor

Example:

Model number THC033A3RBA**C000A10001A10 describes a unit with the following characteristics: DX Cooling , 3 ton nominal cooling capacity, 208-230/60/3 power supply, ReliaTel™ controls, 6 kW electric heater model. 0-100% dry bulb economizer without barometric relief, standard belt drive motor, standard access panels and filters, standard condenser coil with no coil protection, through the base electric, non-fused disconnect, no convenience outlet or communications interface, standard refrigeration coil, high pressure control, return air smoke detector, and clogged filter switch.



3 — 5 Ton THC033 - 063

Precedent™ Packaged Cooling

Table 1 — Main Assembly — 13 SEER High Efficiency (Digits 1-8)

Model Number	Power Supply	Gross Capacity Cooling (BTUH)	SEER ^①	Uncrated Dimensions (in.)			Mfg. Plant	Shipping Weight
				H	W	L		
THC033A3	208-230/60/3	38,000	13.0	32	43	69	LH	549
THC043A3	208-230/60/3	49,800	13.0	32	43	69	LH	591
THC063A3	208-230/60/3	62,400	13.0	36	43	69	LH	641
THC033A4	460/60/3	38,000	13.0	32	43	69	LH	549
THC043A4	460/60/3	49,800	13.0	32	43	69	LH	591
THC063A4	460/60/3	62,400	13.0	36	43	69	LH	641
THC033AW	575/60/3	38,000	13.0	36	43	69	LH	549
THC043AW	575/60/3	49,800	13.0	36	43	69	LH	591
THC063AW	575/60/3	62,400	13.0	36	43	69	LH	641

① 13 SEER Models only available in 3 phase.

Table 2 — Unit Controls (Digit 9)

Tons	Electro-Mechanical (E)	ReliaTel™ (R)
3	\$ Included	
4	\$ Included	
5	\$ Included	

Table 3 — Electric Heaters 3-5 Tons (Digit 10)

KW Rating	Select Digit	Power Supply	Nominal BTUH	No. of Stages	Used With
4.5/6.0	(B)	208/240/60/3	13,400/20,500	1	THC033-063A3
9.0/12.0	(E)	208/240/60/3	30,800/59,400	2	THC033-063A3
13.2/17.6	(G)	208/240/60/3	44,600/59,400	2	THC033-063A3
17.2/23.0	(J)	208/240/60/3	58,900/78,500	2	THC063A
6.0	(B)	460/60/3	20,500	1	THC033-063A4
12.0	(E)	460/60/3	41,000	2	THC033-063A4
17.6	(G)	460/60/3	59,400	2	THC033-063A4
23.0	(J)	460/60/3	78,500	2	THC063A4
6.0	(B)	575/60/3	20,500	1	THC033-063AW
12.0	(E)	575/60/3	41,000	2	THC033-063AW
17.6	(G)	575/60/3	59,400	2	THC033-063AW
23.0	(J)	575/60/3	78,500	2	THC063AW



3 — 5 Ton THC033 - 063A

Precedent™ Packaged Cooling

Table 4 — Fresh Air Selection (Digit 14)

Tons	0-50% ^④ Manual OA Damper (A)	0-50% Motorized OA Damper (B)	0-100% ^② Economizer Dry Bulb without Barometric Relief (C)	0-100% ^② Economizer Dry Bulb with Barometric Relief (D)
3				
4				
5				

Table 4 — (Continued) Fresh Air Selection (Digit 14)

Tons	0-100% ^{①②} Economizer Reference Enthaply without Barometric Relief (E)	0-100% ^{①②③} Economizer Reference Enthaply with Barometric Relief (F)	0-100% ^{①②} Economizer Comparative Enthaply without Barometric Relief (G)	0-100% ^{①②③} Economizer Comparative Enthaply With Barometric Relief (H)
3				
4				
5				

① Not available with electro-mechanical unit controls.

② Economizer with Barometric Relief is for downflow configured units only. Order Economizer without Barometric Relief for horizontal configuration. Barometric relief for horizontal configured units must be ordered as field installed accessory BAYBARM010A.

③ Barometric Relief cannot be used with Power Exhaust.

④ The Manual Outside Air Damper will ship factory supplied (field installed) within the unit. The option will no longer be factory installed.

Table 5 — Supply Fan Drive Type/Motor (Digit 15)

Tons	Standard ^① Motor (0)
3	Belt Drive
4	Belt Drive
5	Belt Drive

① 13 SEER 3-5 Ton Belt Drive Motor Standard.

Table 6 — Hinged Service Access & Filters(Digit 16)

Tons	Standard Panels & Filters (0)	Hinged Access Panels & Filters (A)	Standard Panels & 2" Pleated Filters (B)	Hinged Access Panels & 2" Pleated Filters (C)
3	\$ Included			
4	\$ Included			
5	\$ Included			

Table 7 — Condenser Coil Protection (Digit 17)

Tons	Standard Coil (0)	Standard Coil with Hail Guard(1)	Epoxy Coated Condenser Coil (2)	Epoxy Coated Condenser Coil with Hail Guard (3)
3	\$ Included			
4	\$ Included			
5	\$ Included			

Table 7 — (Continued) Condenser Coil Protection (Digit 17)

Tons	CompleteCoat™ Condenser Coil (4)	CompleteCoat™ Condenser Coil with Hail Guard (5)
3		
4		
5		



3 — 5 Ton
THC033 - 063A

**Precedent™
Packaged
Cooling**

Table 8 — Through the Base Provisions (Digit 18)

Tons	Through the Base Electric (A)
3	
4	
5	

Table 9 — Disconnect/Circuit Breaker/Phase Monitor^{①②③} (Digit 19)

Tons	Unit Mounted Non-Fused Disconnect Switch (1)	Unit Mounted Circuit Breaker (2)	Phase Monitor (3)	Phase Monitor & Non-Fused Disconnect Switch (4)	Phase Monitor & Circuit Breaker (5)
3					
4					
5					

- ① Disconnect/Circuit Breaker/Phase Monitor is available for 3 phase models only.
- ② Must order Through the Base option when ordering disconnect or Breaker.
- ③ Phase Monitor is available with ReliaTel™ models only.

Table 10 — Convenience Outlet (Digit 20)

Tons	Unpowered Convenience Outlet (A)	Powered ^{①②} Convenience Outlet (B)
3		
4		
5		

- ① Powered Convenience Outlet Option is available for 3 phase models only.
- ② Requires use of Disconnect or Circuit Breaker.

Table 11 — Communications Options (Digit 21) ①

Tons	Comm-3/4 Communications Interface (1)	LonTalk Communications Interface (2)	Novar 2024 Controls (3)	Novar 3051 Controls (4)
3				
4				
5				

- ① Not Available with Electro-Mechanical Controls.

Table 12 — Refrigeration System Control (Digit 22)

Tons	Standard ^① Refrigeration System Control (0)	Dehumidification (Hot Gas Reheat Coil) ^{②③④⑤⑥} (B)
3	TXV Included	
4	TXV Included	
5	TXV Included	

- ① Standard Refrigeration Metering Device - TXV.
- ② Not available on standard efficiency models, single phase units or with electromechanical controls.
- ③ Crankcase heaters, TXV's, Froststat™, high and low pressure switches, face-split evaporator coil and 2" pleated filters standard with this option.
- ④ Belt drive standard. Do not select Digit 15=2 (Optional Belt Drive Motor).
- ⑤ Not available on heat pumps.
- ⑥ Requires selection of 2" Pleated Filters (Option B or C) under Digit 16.



3 — 5 Ton
THC033 - 063A

**Precedent™
Packaged
Cooling**

Table 13 — Refrigeration Controls (Digit 23)

Tons	High Pressure Control ^{①③} (1)	Froststat ^② (2)	Crankcase Heater (3)	High Pressure Control ^{①③} and Froststat ^② (4)	High Pressure Control ^{①③} and Crankcase Heater (5)
3	Included				
4	Included				
5	Included				

Table 13 — (Continued) Refrigeration Controls (Digit 23)

Tons	Froststat ^② and Crankcase Heater (6)	High Pressure Control ^{①③} and Froststat ^② and Crankcase Heater (7)
3		
4		
5		

- ① Not available with Electro-Mechanical Controls.
- ② Froststat cannot be field installed in electro mechanical units.
- ③ High Pressure Control is standard on all three-phase models.

Table 14 — Smoke Detector (Digit 24) ^{①②③}

Tons	Return Air Smoke Detector ^④ (A)	Supply Air Smoke Detector (B)	Supply and Return Air Smoke Detector ^④ (C)
3			
4			
5			

- ① Not available with Electro-Mechanical Controls.
- ② Not available with BAYFRST001A High Temperature Stat accessory.
- ③ The return air smoke detector may not fit up or work properly on the Precedent units when used in conjunction with 3rd party accessories (such as bolt on heat wheels, economizers, and power exhaust). Do not order the return air smoke detectors when using this type of accessory.
- ④ Return Air Smoke Detector cannot be ordered with Novar Controls.

Table 15 — Monitoring Controls (Digit 25) ^①

Tons	Clogged Filter Switch ^② (1)	Fan Failure Switch ^② (2)	Discharge Air Sensing Tube ^② (3)	Clogged Filter Switch and Fan Fail Switch ^② (4)
3				
4				
5				

Table 15 — (Continued) Monitoring Controls (Digit 25) ^①

Tons	Clogged Filter Switch and Discharge Air Sensing Tube ^{②④} (5)	Fan Fail Switch and Discharge Air Sensing Tube ^{②④} (6)	Clogged Filter and Fan Fail Switches and Discharge Air Sensing Tube ^{②④} (7)	Novar Return Air Sensor ^③ (8)
3				
4				
5				

- ① Not available with Electro-Mechanical Controls.
- ② These options are standard when ordering Novar Controls.
- ③ This option for use when ordering Novar Control only.
- ④ Combination of Discharge Air Sensing option, Economizer option and Tracer Summit or Tracker, Version 10 requires use of Tracer™ LCI-R Communications Interface. For jobs requiring true discharge air sensing with Tracer/Tracker COMM-3 or COMM-4, contact Clarksville Light Commercial Marketing Support.



3 — 5 Ton
THC033 - 063A

**Precedent™
Packaged
Cooling**

Accessory Electric Heaters: Unit with heater is single circuit / single point power entry

Model Number	Power Supply	KW Rating	Nominal BTUH	No. of Stages	Used With	Mfg. Plant	Shipping Weight
BAYHTRR306A	208/240/60/3	4.5/6.0	13,400/ 20,500	1	THC033-063A3	SH	20
BAYHTRR312A	208/240/60/3	9.0/12.0	30,800/ 41,000	2	THC033-063A3	SH	20
BAYHTRR318A	208/240/60/3	13.1/17.4	44,600/ 59,400	2	THC033-063A3	SH	20
BAYHTRR323A	208/240/60/3	17.3/23.0	58,900/ 78,500	2	THC063A3	SH	20
BAYHTRR406A	460/60/3	6.0	20,500	1	THC033-063A4	SH	20
BAYHTRR412A	460/60/3	12.0	41,000	2	THC033-063A4	SH	20
BAYHTRR418A	460/60/3	17.4	59,400	2	THC033-063A4	SH	20
BAYHTRR423A	460/60/3	23.0	78,500	2	THC063A4	SH	20
BAYHTRRW06A	460/60/3	6.0	20,500	1	THC033-063AW	SH	20
BAYHTRRW12A	460/60/3	12.0	41,000	2	THC033-063AW	SH	20
BAYHTRRW18A	460/60/3	17.4	59,400	2	THC033-063AW	SH	20
BAYHTRRW23A	460/60/3	23.0	78,500	2	THC063AW	SH	20

Accessories:

Model Number	Description	Used With	Mfg. Plant	Shipping Weight
BAYCURB042A ^①	Roof Curb	THC033-063A	LH	80
BAYQACB009A ^①	Quick Adapt Roof Curb	THC033-063A	LH	100
BAYQACB010A ^①	Quick Adapt Roof Curb	THC033-063A	LH	120
BAYECON085A ^②	0-100% Dry Bulb Economizer without Barometric Relief	THC033-063A_R	LH	40
BAYECON086A ^③	0-100% Dry Bulb Economizer without Barometric Relief	THC033-063A_E	LH	40
BAYDMPR051A ^②	0-50% Motorized Outside Air Damper	THC033-063A_R	LH	30
BAYDMPR052A ^③	0-50% Motorized Outside Air Damper	THC033-063A_E	LH	30
BAYDMPR053B	0-50% Manual Outside Air Damper	THC033-063A	LH	25
BAYGARD036B	Tool-less Condenser Coil Hail Guard	THC033, 043A	LH	10
BAYGARD037B	Tool-less Condenser Coil Hail Guard	THC063A	LH	10
BAYABRD001C	ReliaTel™ Options Module	See Note ^⑦	LH	2
BAYBARM010A ^⑦	Barometric Relief	THC033-063A	LH	20
BAYCO2K001B	CO ₂ Sensor Kit, Wall Mounted	THC033-063A_R	LH	3
BAYCO2K003B	CO ₂ Sensor Kit, Duct Mounted	THC033-063A_R W/Econ.	LH	3.5
BAYCCHT010B	Crankcase Heater	THC033-063A, A3	LH	2
BAYCCHT011B	Crankcase Heater	THC033-063A4,AW	LH	2
BAYSTAT023 ^②	Remote Potentiometer	BAYECON085A,087A	CK/001	1
BAYSERV001A ^②	Selective Resistance Service Tester	THC033-063A_R	LH	2
BAYSENS016A ^②	Temperature Sensor	THC033-063A_R	LH	1
BAYFRST001A ^{②③}	High Temperature Stat	THC033-063A_R	CK/001	2
BAYENTH005A ^{②④}	Reference Enthalpy Kit	BAYECON085A,087A	LH	1
BAYENTH006B ^{②④}	Comparative Enthalpy Kit	BAYECON085A,087A	LH	1
BAYENTH001A	Enthalpy Control (Solid State)	BAYECON0086A,088A	CK/001	2
BAYDFPS003B ^{②⑧}	Clogged Filter Switch	THC033-063A_R	LH	1
BAYDFPS004A ^{②⑧}	Fan Failure Switch	THC033-063A_R	LH	1
BAYTUBE005A ^{②⑥⑧}	Discharge Air Sensing Kit	THC033-063A_R	LH	1
BAYICSI003A ^{②⑨}	Comm-3/4 Trane Communications Interface	THC033-063A_R	LH	1
BAYLTCI002B ^{②⑩}	Comm-3/4 LonTalk Communications Interface	THC033-063A_R	LH	1
BAYASCT001 ^③	Anti-Short-Cycle Timer	THC033-063A_E	CK/001	1
BAYLOAM020B ^{②⑤⑧}	Evaporator Defrost Control (Frostat)	THC033-063A_R	LH	3
BAYLSDR006A ^⑪	Low Static Drive Kit	THC033A, 3, 4, WR	LH	2
BAYLSDR007A ^⑪	Low Static Drive Kit	THC043A, 3, 4, WR	LH	2
BAYLSDR008A ^⑪	Low Static Drive Kit	THC063A, 3, 4, WR	LH	2
BAYVNOR001B ^⑪	Ventilation Override Kit	THC033-063A*R	LH	2.5

W/ReliaTel™ Options Module

^① Lynn Haven Manufacturing has a No-Return policy for this roof curb.

^② For use with ReliaTel™ controlled units only

^③ For use with electromechanical controlled units only.

^④ Kits contain all necessary parts to achieve desired level of enthalpy control.

^⑤ For ReliaTel™ microprocessor controlled units only. Must be factory installed for electromechanical controlled units

^⑥ Used for true discharge air sensing in both heating and cooling. Required for supply air tempering.

^⑦ Barometric Relief accessory installs in ductwork for horizontal configuration. For downflow configuration, installs in the unit's horizontal return duct. See Installer's Guide for complete instructions.

^⑧ BAYABRD001C is required when ordering field installed accessories Clogged Filter Switch (BAYDFPS003A), Fan Fail Switch (BAYDFPS004A), Discharge Air Sensing Kit (BAYTUBE004A) or Evaporator Defrost Control (Frostat) (BAYLOAM020B) unless the following options are factory installed: Frostat, Smoke Detector, Clogged Filter Switch, Fan Failure Switch, Discharge Air Sensing Kit. These factory installed options include the ReliaTel™ Options Module.

^⑨ Interface allows a unit with ReliaTel™ Controls to communicate with Tracer 100, Tracker, VariTrac II, and is the preferred method of communication to Tracer Summit.

^⑩ Interface allows a unit with ReliaTel™ Controls to communicate as a Trane LonTalk device or directly with generic LonTalk Network BAS Controls.

^⑪ Available for Cooling Units only



3 — 5 Ton THC033 - 063A

Precedent™ Packaged Cooling

Zone Sensors for ReliaTel™ Controlled Units:

Model Number	Description	Used with	Mfg. Plant	Shipping Weight
BAYSENS006B	Single Setpoint Manual Changeover	THC033-063A_R	CK/001	1
BAYSENS008B	Dual Setpoint Manual or Auto Changeover	THC033-063A_R	CK/001	1
BAYSENS010B	Dual Setpoint Man. or Auto Changeover with System Function Lights	THC033-063A_R	CK/001	1
BAYSENS019C ^③	Programmable Night Setback w/System Function Lights	THC033-063A_R	CK/001	1
BAYSENS013C ^①	Room Sensor w/ Override and Cancel Buttons	THC033-063A_R	CK/001	1
BAYSENS014C ^①	Room Sensor w/ Temp. Adjustment with Override and Cancel Buttons	THC033-063A_R	CK/001	1
BAYSENS017B	Remote Room Sensor	BAYSENS006B,008B,010B, & 019C	CK/001	1
BAYSENS032A ^③	Dual Thermistor Remote Zone Sensor	THC033-063A_R	CK/001	1
BAYSENS035A ^③	Digital Display Zone Sensor	THC033-063A_R	CK/001	1
BAYSENS036A	Wall-Mounted Humidity Zone Sensor	THC033-063A_R	CK/001	1
BAYSENS037A	Duct-Mounted Humidity Zone Sensor	THC033-063A_R	CK/001	1
BAYMTPL003B	Retrofit Wall Cover Plate Kit 7.25" x 6.0"	BAYSENS019C	CK/001	1
BAYMTPL004B	Retrofit Wall Cover Plate Kit 4.75" x 4.75"	BAYSENS006,008010B,013,014C,017B	CK/001	1

① Used with Integrated Comfor™ Systems, any unit type. These sensors do not work with TCM. Consult BASD Marketing for them.

② See Accessory IOM for operational characteristics.

③ Functional only with ReliaTel™ controls.

* Either standard or high efficiency models

Thermostats:

Model Number	Description	Used with	Mfg. Plant	Shipping Weight
BAYSTAT040A ^{②④}	Programmable Thermostat	THC033-063A	CK/001	1
BAYBASE008A	Subbase 1-Stage Htg./Clg.	BAYSTAT040A	CK/001	1
BAYBASE006A	Subbase 2-Stage Htg./Clg.	BAYSTAT040A	CK/001	1
BAYSENS033A	Remote Wall Sensor	BAYSTAT040A	CK/001	1
BAYSENS034A	Remote Duct Sensor	BAYSTAT040A	CK/001	1
TCONT200AN11AA	Electronic, 1Htg/1Clg (Non Prog.)	All Cooling/(Gas or Elec)	TY	1
BAY28X190 ^③	Locking Thermostat Cover for up to 4 units	Room Thermostats	TY	1
BAY24X042	DPDT Fan and Electric Heat Relay	BAYSTAT051,052	TY	1
BAYSTAT050A	2Htg/2Clg Digital Display Programmable Thermostat	THC033-063A_R	CK/001	1
BAYSTAT051A	1Htg/1Clg Digital Display Thermostat	THC033-063A_R	CK/001	1
BAYSTAT052A	2Htg/2Clg Digital Display Programmable "TOUCHSCREEN" Thermostat	THC033-063A_R	CK/001	1
BAYSTAT053A	3Htg/2Clg Digital Display Programmable Thermostat with Relative Humidity Sensing Built-In	THC033-063A_R (with Dehumidification Option)	CK/001	1
BAYSTAT055A	3Htg/2Clg Digital Display Thermostat	THC033-063A_R	CK/001	1
BAYSTAT059A	Return Air Remote Sensor	BAYSTAT050A,051A,052A,053A	CK/001	1
BAYSTAT060A	Wall Mounted Remote Sensor	BAYSTAT050A,051A,052A,053A	CK/001	1

① Requires DPDT Fan and Electric Heat Relay BAY24x042 when using electric heat.

② Requires use of subbase BAYBASE006A or BAYBASE008A.

③ Do not use with programmable thermostats.

④ Thermostat does not include fan or system switches.



Model Nomenclature

Precedent™ Packaged Cooling R-410A

T S C 036 E 3 R B A ** C 0 0 0 A 1 0 0 0 1 A 1
1 2 3 4,5,6 7 8 9 10 11 12,13 14 15 16 17 18 19 20 21 22 23 24 25

DIGIT 1 - Unit Function

T = DX Cooling

DIGIT 2 - Efficiency

S = Standard Efficiency (13 SEER R-410A)

DIGIT 3 - Airflow

C = Convertible

DIGITS 4,5,6 - Nominal Gross Cooling Capacity (MBh)

036 = 3 Ton

046 = 4 Ton

060 = 5 Ton

DIGIT 7 - Major Design Sequence

E = R-410A Refrigerant

DIGIT 8 - Unit Voltage

1 = 208-230/60/1

3 = 208-230/60/3

4 = 460/60/3

W = 575/60/3

DIGIT 9 - Unit Controls

E = Electromechanical^①

R = ReliaTel™ Microprocessor

DIGIT 10 - Heating Capacity

Note: (Applicable to Digit 1, W models only)

0 = No Electric Heat

A = 5 kW (1 phase)^②

B = 6 kW (3 phase)

C = 9 kW (3 phase)^③

D = 10 kW (1 phase)^②

E = 12 kW (3 phase)

F = 14 kW (1 phase)^②

G = 18 kW (1&3phase)

J = 23 kW (3 phase)

DIGIT 11 - Minor Design Sequence

A = First Sequence

DIGITS 12, 13 - Service Sequence

** = Factory Assigned

DIGIT 14 - Fresh Air Selection

0 = No Fresh Air

A = Manual Outside Air Damper 0-50%^④

B = Motorized Outside Air Damper 0-50%

C = Economizer, Dry Bulb 0-100% without Barometric Relief^⑤

D = Economizer, Dry Bulb 0-100% with Barometric Relief^⑤

E = Economizer, Reference Enthalpy 0-100% without Barometric Relief^⑥

F = Economizer, Reference Enthalpy 0-100% with Barometric Relief^⑥

G = Economizer, Comparative Enthalpy 0-100% without Barometric Relief^⑥

H = Economizer, Comparative Enthalpy 0-100% with Barometric Relief^⑥

DIGIT 15 - Supply Fan/Drive Type/Motor

0 = Standard Drive^⑦

DIGIT 16 - Hinged Service Access/Filters

0 = Standard Panels/Standard Filters

A = Hinged Access Panels/Standard Filters

B = Standard Panels/2" Pleated Filters

C = Hinged Access Panels/2" Pleated Filters

DIGIT 17 - Condenser Coil Protection

0 = Standard Coil

1 = Standard Coil with Hail Guard

2 = Epoxy Coated Condenser Coil

3 = Epoxy Coated Condenser Coil with Hail Guard

4 = CompleteCoat™ Condenser Coil

5 = CompleteCoat™ Condenser Coil with Hail Guard

DIGIT 18 - Through the Base Provisions

Note: (Applicable to Digit 1, T models only)

0 = No Through the Base Provisions

A = Through the Base Electric^⑧

DIGIT 19 - Disconnect/Circuit Breaker/Phase Monitor (3 phase only)

0 = No Disconnect/No Circuit Breaker/No Phase Monitor

1 = Unit Mounted Non-Fused Disconnect^⑨

2 = Unit Mounted Circuit Breaker^⑩

3 = Phase Monitor

4 = Phase Monitor & Non-Fused Disconnect Switch

5 = Phase Monitor & Circuit Breaker

DIGIT 20 - Convenience Outlet

0 = No Convenience Outlet

A = Unpowered Convenience Outlet

B = Powered Convenience Outlet (3 phase only)^⑪

DIGIT 21 - Communications Options^⑫

0 = No Communications Interface

1 = Trane Communications Interface

2 = LonTalk® Communications Interface

3 = Novar 2024 Controls^⑬

4 = Novar 3051 Controls^⑭

DIGIT 22 - Refrigeration System Option

0 = Standard Refrigeration Coil^⑮

B = Dehumidification (Hot Gas Reheat Coil)^{⑯⑰⑱}

DIGIT 23 - Refrigeration Controls

0 = No Refrigeration Control^⑲

1 = Froststat^⑳

2 = Crankcase Heater^㉑

3 = Froststat^⑳ and Crankcase Heater

DIGIT 24 - Smoke Detector^㉒

0 = No Smoke Detector

A = Return Air Smoke Detector^㉓

B = Supply Air Smoke Detector

C = Supply and Return Air Smoke Detectors^㉓

DIGIT 25 - Monitoring Controls^㉔

0 = No Monitoring Control^㉕

1 = Clogged Filter Switch^㉖

2 = Fan Failure Switch^㉖

3 = Discharge Air Sensing Tube^㉖

4 = Clogged Filter Switch and Fan Fail Switch^㉖

5 = Clogged Filter Switch and Discharge Air Sensing Tube^㉖

6 = Fan Fail Switch and Discharge Air Sensing Tube^㉖

7 = Clogged Filter and Fan Fail Switches and Discharge Air Sensing Tube^㉖

8 = Novar Return Air Sensor^㉖

Explanation of Model Number Notes 1-19 follow. Unless otherwise noted, feature available for all T models, tonnages and phases.

① Not available for 3-5 ton, R-410A Heat Pumps.

② Available for R-410A units only.

③ Standard on 4 ton, 3 phase Heat Pumps and 5 ton Heat Pumps.

④ Available for R-22 units only.

⑤ Not available with electromechanical controls.

⑥ Manual outside air damper will ship factory supplied within the unit, but must be field installed.

⑦ High pressure control is standard on all units.

⑧ Multispeed direct drive standard on 1 phase. Belt drive standard on 3 phase.

⑨ Requires selection of 2" pleated filters

⑩ Economizer with Barometric Relief is for downflow

configured units only. Order Economizer without Barometric Relief for horizontal configuration. Barometric Relief for horizontal configured units must be ordered as field installed accessory.

⑪ Through the base electric required when ordering disconnect/circuit breaker options.

⑫ Requires use of Disconnect or Circuit Breaker.

⑬ Standard metering devices are TXVs.

⑭ Froststat cannot be field installed in electro-mechanical units.

⑮ The return air smoke detector may not fit up or work properly on the Precedent units when used in conjunction with 3rd party accessories such as bolt on heat wheels, economizers and power exhaust. Do not order the return air smoke detectors when using this type of accessory.

⑯ Return air smoke detector cannot be ordered with Novar Controls.

⑰ These options are standard when ordering Novar Controls.

⑱ This option is used when ordering Novar Controls.

⑲ Not available with high temperature stat accessory.

Example:

Model number TSC036E3RBA**C000A10001A1 describes a unit with the following characteristics: DX Cooling, 3 ton nominal cooling capacity, 208-230/60/3 power supply, ReliaTel™ controls, 6 kW electric heater model. 0-100% dry bulb economizer without barometric relief, standard belt drive motor, standard access panels/filters, standard condenser coil with no coil protection, through the base electric, non-fused disconnect, no convenience outlet or communications interface, standard refrigeration coil, high pressure control, return air smoke detector, and clogged filter switch.



3 — 5 Ton TSC036 - 060E

Precedent™ Packaged Cooling R-410A

Table 1 — Main Assembly — Standard Efficiency (Digits 1-8)

Model Number	Power Supply	Gross Capacity Cooling (BTUH)	SEER	Uncrated Dimensions (in.)			Mfg. Plant	Shipping Weight
				H	W	L		
TSC036E1	208-230/1/60	37,400	13.0	36	43	69	LH	555
TSC048E1	208-230/1/60	49,200	13.0	36	43	69	LH	586
TSC060E1	208-230/1/60	63,100	13.0	36	43	69	LH	636
TSC036E3	208-230/3/60	37,400	13.0	36	43	69	LH	555
TSC048E3	208-230/3/60	49,200	13.0	36	43	69	LH	586
TSC060E3	208-230/3/60	63,100	13.0	36	43	69	LH	636
TSC036E4	460/3/60	37,400	13.0	36	43	69	LH	555
TSC048E4	460/3/60	49,200	13.0	36	43	69	LH	586
TSC060E4	460/3/60	63,100	13.0	36	43	69	LH	636
TSC036EW	575/3/60	37,400	13.0	36	43	69	LH	555
TSC048EW	575/3/60	49,200	13.0	36	43	69	LH	586
TSC060EW	575/3/60	63,100	13.0	36	43	69	LH	636

Table 2 — Unit Controls (Digit 9)

Tons	Electro-Mechanical (E)	ReliaTel™ (R)
3		
4		
5		

Table 3 — Electric Heaters 3-5 Tons (Digit 10)

KW Rating	Select Digit	Power Supply	Nominal BTUH	No. of Stages	Used With
4.5/6.0	(B)	208/240/3/60	13,400/20,500	1	TSC036-060E3
9.0/12.0	(E)	208/240/3/60	30,800/59,400	2	TSC036-060E3
13.2/17.6	(G)	208/240/3/60	44,600/59,400	2	TSC036-060E3
17.2/23.0	(J)	208/240/3/60	58,900/78,500	2	TSC060E3
6.0	(B)	460/3/60	20,500	1	TSC036-060E4
12.0	(E)	460/3/60	41,000	2	TSC036-060E4
17.6	(G)	460/3/60	59,400	2	TSC036-060E4
23.0	(J)	460/3/60	78,500	2	TSC060E4
6.0	(B)	575/3/60	20,500	1	TSC036-060EW
12.0	(E)	575/3/60	41,000	2	TSC036-060EW
17.6	(G)	575/3/60	59,400	2	TSC036-060EW
23.0	(J)	575/3/60	78,500	2	TSC060EW



3 — 5 Ton TSC036 - 060E

Precedent™ Packaged Cooling R-410A

Table 4 — Fresh Air Selection (Digit 14)

Tons	0-50% ^④ Manual OA Damper (A)	0-50% Motorized OA Damper (B)	0-100% ^② Economizer Dry Bulb without Barometric Relief (C)	0-100% ^② Economizer Dry Bulb with Barometric Relief (D)
3				
4				
5				

Table 4 — (Continued) Fresh Air Selection (Digit 14)

Tons	0-100% ^{①②} Economizer Reference Enthalpy without Barometric Relief (E)	0-100% ^{①②③} Economizer Reference Enthalpy with Barometric Relief (F)	0-100% ^{①②} Economizer Comparative Enthalpy without Barometric Relief (G)	0-100% ^{①②③} Economizer Comparative Enthalpy With Barometric Relief (H)
3				
4				
5				

① Not available with electro-mechanical unit controls.

② Economizer with Barometric Relief is for downflow configured units only. Order Economizer without Barometric Relief for horizontal configuration. Barometric relief for horizontal configured units must be ordered as field installed accessory BAYBARM010A.

③ Barometric Relief cannot be used with Power Exhaust.

④ The Manual Outside Air Damper will ship factory supplied (field installed) within the unit. The option will no longer be factory installed.

Table 5 — Supply Fan Drive Type/Motor (Digit 15)

Tons	Standard ^① Motor (0)
3	\$ Included
4	\$ Included
5	\$ Included

① 3-5 ton 1 phase standard motor direct drive, 3 phase belt drive.

Table 6 — Hinged Service Access & Filters(Digit 16)

Tons	Standard Panels & Filters (0)	Hinged Access Panels & Filters (A)	Standard Panels & 2" Pleated Filters (B)	Hinged Access Panels & 2" Pleated Filters (C)
3	\$ Included			
4	\$ Included			
5	\$ Included			

Table 7 — Condenser Coil Protection (Digit 17)

Tons	Standard Coil (0)	Standard Coil with Hail Guard(1)	Epoxy Coated Condenser Coil (2)	Epoxy Coated Condenser Coil with Hail Guard (3)
3	\$ Included			
4	\$ Included			
5	\$ Included			

Table 7 — Condenser Coil Protection (Digit 17)

Tons	CompleteCoat™ Condenser Coil (4)	CompleteCoat™ Condenser Coil with Hail Guard (5)
3		
4		
5		



3 — 5 Ton
TSC036 - 060E

**Precedent™
Packaged
Cooling
R-410A**

Table 8 — Through the Base Provisions (Digit 18)

Tons	Through the Base Electric (A)
3	
4	
5	

Table 9 — Disconnect/Circuit Breaker/Phase Monitor^{①②③} (Digit 19)

Tons	Unit Mounted Non-Fused Disconnect Switch (1)	Unit Mounted Circuit Breaker (2)	Phase Monitor (3)	Phase Monitor & Non-Fused Disconnect Switch (4)	Phase Monitor & Circuit Breaker (5)
3					
4					
5					

- ① Disconnect/Circuit Breaker/Phase Monitor is available for 3 phase models only.
- ② Must order Through the Base option when ordering disconnect or Breaker.
- ③ Phase Monitor is available with ReliaTel™ models only.

Table 10 — Convenience Outlet (Digit 20)

Tons	Unpowered Convenience Outlet (A)	Powered ^{①②} Convenience Outlet (B)
3		
4		
5		

- ① Powered Convenience Outlet Option is available for 3 phase models only.
- ② Requires use of Disconnect or Circuit Breaker.

Table 11 — Communications Options (Digit 21) ①

Tons	Comm-3/4 Communications Interface (1)	LonTalk Communications Interface (2)	Novar 2024 Controls (3)	Novar 3051 Controls (4)
3				
4				
5				

- ① Not Available with Electro-Mechanical Controls.

Table 12 — Refrigeration System Control (Digit 22)

Tons	Standard ^① Refrigeration System Control (0)	Dehumidification (Hot Gas Reheat Coil) (B) ^②
3	Included	
4	Included	
5	Included	

- ① Standard Refrigeration Metering Device - Thermal Expansion Valve.
- ② Not available on standard efficiency models, single phase units or with electromechanical controls. Available on R-22 only.



3 — 5 Ton
TSC036 - 060E

**Precedent™
Packaged
Cooling
R-410A**

Table 13 — Refrigeration Controls (Digit 23)

Tons	High Pressure Control	Frostat ^① (1)	Crankcase Heater (2)	Frostat ^① and Crankcase Heater (3)
3	\$ Included			
4	\$ Included			
5	\$ Included			

① Frostat cannot be field installed in electro mechanical units.

Table 14 — Smoke Detector (Digit 24) ①②③

Tons	Return Air Smoke Detector ^④ (A)	Supply Air Smoke Detector (B)	Supply and Return Air Smoke Detector ^④ (C)
3			
4			
5			

① Not available with Electro-Mechanical Controls.

② Not available with BAYFRST001A High Temperature Stat accessory.

③ The return air smoke detector may not fit up or work properly on the Precedent units when used in conjunction with 3rd party accessories (such as bolt on heat wheels, economizers, and power exhaust). Do not order the return air smoke detectors when using this type of accessory.

④ Return Air Smoke Detector cannot be ordered with Novar Controls.

Table 15 — Monitoring Controls (Digit 25) ①

Tons	Clogged Filter Switch ^② (1)	Fan Failure Switch ^② (2)	Discharge Air Sensing Tube ^② (3)	Clogged Filter Switch and Fan Fail Switch ^② (4)
3				
4				
5				

Table 15 — (Continued) Monitoring Controls (Digit 25) ①

Tons	Clogged Filter Switch and Discharge Air Sensing Tube ^{②④} (5)	Fan Fail Switch and Discharge Air Sensing Tube ^{②④} (6)	Clogged Filter and Fan Fail Switches and Discharge Air Sensing Tube ^{②④} (7)	Novar Return Air Sensor ^③ (8)
3				
4				
5				

① Not available with Electro-Mechanical Controls.

② These options are standard when ordering Novar Controls.

③ This option for use when ordering Novar Control only.

④ Combination of Discharge Air Sensing option, Economizer option and Tracer Summit or Tracker, Version 10 requires use of Tracer™ LCI-R Communications Interface. For jobs requiring true discharge air sensing with Tracer/Tracker COMM-3 or COMM-4, contact Clarksville Light Commercial Marketing Support.



3 — 5 Ton TSC036 - 060E

Precedent™ Packaged Cooling R-410A

Accessory Electric Heaters: Unit with heater is single circuit / single point power entry

Model Number	Power Supply	KW Rating	Nominal BTUH	No. of Stages	Used With	Mfg. Plant	Shipping Weight
BATHTRE105A	208/230/1/60	3.8/5.0	12,900/ 13,400	1	TSC036-060E1	SH	20
BATHTRE110A	208/230/1/60	7.5/10.0	25,600/ 34,000	2	TSC036-060E1	SH	20
BATHTRE114A	208/230/1/60	10.4/13.8	35,000/ 47,100	2	TSC036-060E1	SH	20
BATHTRE118A	208/230/1/60	13.2/17.6	45,100/ 60,100	2	TSC048-060E1	SH	20
BAYHTRE306A	208/240/3/60	4.5/6.0	13,400/ 20,500	1	TSC036-060E3	SH	20
BAYHTRE312A	208/240/3/60	9.0/12.0	30,800/ 41,000	2	TSC036-060E3	SH	20
BAYHTRE318A	208/240/3/60	13.1/17.4	44,600/ 59,400	2	TSC036-060E3	SH	20
BAYHTRE323A	208/240/3/60	17.3/23.0	58,900/ 78,500	2	TSC060E3	SH	20
BAYHTRE406A	460/3/60	6.0	20,500	1	TSC036-060E4	SH	20
BAYHTRE412A	460/3/60	12.0	41,000	2	TSC036-060E4	SH	20
BAYHTRE418A	460/3/60	17.4	59,400	2	TSC036-060E4	SH	20
BAYHTRE423A	460/3/60	23.0	78,500	2	TSC060E4	SH	20
BAYHTREW06A	575/3/60	6.0	20,500	1	TSC036-060EW	SH	20
BAYHTREW12A	575/3/60	12.0	41,000	2	TSC036-060EW	SH	20
BAYHTREW18A	575/3/60	17.4	59,400	2	TSC036-060EW	SH	20
BAYHTREW23A	575/3/60	23.0	78,500	2	TSC060AW	SH	20

Accessories:

Model Number	Description	Used With	Mfg. Plant	Shipping Weight
BAYCURB042A ^①	Roof Curb	TSC036-060E	LH	80
BAYQACB009A ^①	Quick Adapt Roof Curb ^{③⑤}	TSC036-060E ^③	LH	100
BAYQACB010A ^①	Quick Adapt Roof Curb ^{③⑤}	TSC036-060E ^③	LH	120
BAYECON085A ^②	0-100% Dry Bulb Economizer without Barometric Relief	TSC036-060E_R	LH	40
BAYECON086A ^④	0-100% Dry Bulb Economizer without Barometric Relief	TSC036-060E_E	LH	40
BAYDMPR051A ^②	0-50% Motorized Outside Air Damper	TSC036-060E_R	LH	30
BAYDMPR052A ^④	0-50% Motorized Outside Air Damper	TSC036-060E_E	LH	30
BAYDMPR053B	0-50% Manual Outside Air Damper	TSC036-060E	LH	25
BAYGARD036B	Tool-less Condenser Coil Hail Guard	TSC036-060E	LH	10

① Lynn Haven Manufacturing has a No-Return policy for this roof curb.

② For use with ReliaTel™ controlled units only.

③ BAYQACB009A adapts Voyager BAYCURB021B to accept Precedent 3-5 ton unit. BAYQACB010A adapts Voyager BAYCURB022B to accept Precedent 3-5 unit.

④ For use with electromechanical controlled units only.

⑤ TCD036A, TCD048A, TCD060A, WCD036A, WCD048A, WCD060A are not Voyager units. These units were manufactured in Ft. Smith, AR and will not fit any Voyager curbs.



3 — 5 Ton TSC036 - 060E

Precedent™ Packaged Cooling R-410A

Accessories - Continued:

Model Number	Description	Used With	Mfg. Plant	Shipping Weight
BAYABRD001C	ReliaTel™ Options Module	See Note⑦	LH	2
BAYBARM010A⑤	Barometric Relief	TSC036-060E	LH	20
BAYCO2K001B	CO ₂ Sensor Kit, Wall Mounted	TSC036-060E*R W/Econ. or Motorized OA Damper	LH	3
BAYCO2K003B	CO ₂ Sensor Kit, Duct Mounted	TSC036-060E*R W/Econ. or Motorized OA Damper	LH	3.5
BAYCCHT010B	Crankcase Heater	TSC036-060E3	LH	2
BAYCCHT011B⑩	Crankcase Heater	TSC036-060EA4,AW	LH	2
BAYSTAT023④	Remote Potentiometer	BAYECON085A	CK/001	1
BAYSERV001A④	Selective Resistance Service Tester	TSC036-060E_R	LH	2
BAYSENS016A④	Temperature Sensor	TSC036-060E_R	LH	1
BAYFRST001A④⑥	High Temperature Stat	TSC036-060E_R	CK/001	2
BAYENTH005A①④	Reference Enthalpy Kit	BAYECON085A	LH	1
BAYENTH006B①④	Comparative Enthalpy Kit	BAYECON085A	LH	1
BAYENTH001A	Enthalpy Control (Solid State)	BAYECON0086A	CK/001	2
BAYDFPS003B④⑦	Clogged Filter Switch	TSC036-120A_R	LH	1
BAYDFPS004A④⑦	Fan Failure Switch	TSC036-060E_R	LH	1
BAYTUBE005A③④⑦	Discharge Air Sensing Kit	TSC036-060E_R	LH	1
BAYICSI003A③⑨	Comm-3/4 Trane Communications Interface	TSC036-060E_R	LH	1
BAYLTCI002B④⑩	Comm-3/4 LonTalk Communications Interface	TSC036-060E_R	LH	1
BAYASCT001 ⑧	Anti-Short-Cycle Timer	TSC036-060E_E	CK/001	1
BAYLOAM020B②④⑦	Evaporator Defrost Control (Frostat)	TSC036-060E_R	LH	3
BAYVNOR001B⑫	Ventilation Override Kit	TSC036-060E*R W/ReliaTel™ Options Module	LH	2.5

① Kits contain all necessary parts to achieve desired level of enthalpy control.

② For ReliaTel™ microprocessor controlled units only. Must be factory installed for electromechanical controlled units

③ Used for true discharge air sensing in both heating and cooling. Required for supply air tempering.

④ For use with ReliaTel™ controlled units only

⑤ Barometric Relief accessory installs in ductwork for horizontal configuration. For downflow configuration, installs in the unit's horizontal return duct. See Installer's Guide for complete instructions.

⑥ Cannot be used in conjunction with factory installed smoke detector.

⑦ BAYABRD001C is required when ordering field installed accessories Clogged Filter Switch (BAYDFPS003A), Fan Fail Switch (BAYDFPS004A), Discharge Air Sensing Kit (BAYTUBE004A) or Evaporator Defrost Control (Frostat) (BAYLOAM020B) unless the following options are factory installed: Frostat, Smoke Detector, Clogged Filter Switch, Fan Failure Switch, Discharge Air Sensing Kit. These factory installed options include the ReliaTel™ Options Module.

⑧ For use with electromechanical controlled units only.

⑨ Interface allows a unit with ReliaTel™ Controls to communicate with Tracer 100, Tracker, VariTrac II, and is the preferred method of communication to Tracer Summit.

⑩ Interface allows a unit with ReliaTel™ Controls to communicate as a Trane LonTalk device or directly with generic LonTalk Network BAS Controls.

⑪ Quantity 2 required for T°C092-120A

⑫ Available for Cooling Units only.



3 — 5 Ton TSC036 - 060E

Precedent™ Packaged Cooling R-410A

Zone Sensors for ReliaTel™ Controlled Units:

Model Number	Description	Used with	Mfg. Plant	Shipping Weight
BAYSENS006B	Single Setpoint Manual Changeover	TSC036-060E_R	CK/001	1
BAYSENS008B	Dual Setpoint Manual or Auto Changeover	TSC036-060E_R	CK/001	1
BAYSENS010B	Dual Setpoint Man. or Auto Changeover with System Function Lights	TSC036-060E_R	CK/001	1
BAYSENS019C ^③	Programmable Night Setback w/System Function Lights	TSC036-060E_R	CK/001	1
BAYSENS013C ^①	Room Sensor w/ Override and Cancel Buttons	TSC036-060E_R	CK/001	1
BAYSENS014C ^①	Room Sensor w/ Temp. Adjustment with Override and Cancel Buttons	TSC036-060E_R	CK/001	1
BAYSENS017B	Remote Room Sensor	BAYSENS006B,008B,010B, & 019C	CK/001	1
BAYSENS032A ^③	Dual Thermistor Remote Zone Sensor	TSC036-060E_R	CK/001	1
BAYSENS035A ^③	Digital Display Zone Sensor	TSC036-060E_R	CK/001	1
BAYMTPL003B	Retrofit Wall Cover Plate Kit 7.25" x 6.0"	BAYSENS019C	CK/001	1
BAYMTPL004A	Retrofit Wall Cover Plate Kit 4.75" x 4.75"	BAYSENS006,008 010B,013,014C,017B	CK/001	1

① Used with Integrated Comfort™ Systems, any unit type. These sensors do not work with TCM. Consult BASD Marketing for them.

② See Accessory IOM for operational characteristics.

③ Functional only with ReliaTel™ controls.

Thermostats:

Model Number	Description	Used with	Mfg. Plant	Shipping Weight
BAYSTAT040A ^{②④}	Programmable Thermostat	TSC036-060E	CK/001	1
BAYBASE008A	Subbase 1-Stage Htg./Clg.	BAYSTAT040A	CK/001	1
BAYBASE006A	Subbase 2-Stage Htg./Clg.	BAYSTAT040A	CK/001	1
BAYSENS033A	Remote Wall Sensor	BAYSTAT040A	CK/001	1
BAYSENS034A	Remote Duct Sensor	BAYSTAT040A	CK/001	1
TCONT200AN11AA	Electronic, 1Htg/1Clg (Non Prog.)	All Cooling/(Gas or Elec)	TY	1
BAY28X190 ^③	Locking Thermostat Cover for up to 4 units	Room Thermostats	TY	1
BAY24X042	DPDT Fan and Electric Heat Relay	BAYSTAT051,052	TY	1
BAYSTAT050A	2Htg/2Clg Digital Display Programmable Thermostat	TSC036-060E_R	CK/001	1
BAYSTAT051A	1Htg/1Clg Digital Display Thermostat	TSC036-060E_R	CK/001	1
BAYSTAT052A	2Htg/2Clg Digital Display Programmable "TOUCHSCREEN" Thermostat	TSC036-060E_R	CK/001	1
BAYSTAT053A	3Htg/2Clg Digital Display Programmable Thermostat with Relative Humidity Sensing Built-In	TSC036-060E_R (with Dehumidification Option)	CK/001	1
BAYSTAT055A	3Htg/2Clg Digital Display Thermostat	TSC036-060E_R	CK/001	1
BAYSTAT059A	Return Air Remote Sensor	BAYSTAT050A,051A, 052A,053A	CK/001	1
BAYSTAT060A	Wall Mounted Remote Sensor	BAYSTAT050A,051A, 052A,053A	CK/001	1

① Requires DPDT Fan and Electric Heat Relay BAY24x042 when using electric heat.

② Requires use of subbase BAYBASE006A or BAYBASE008A.

③ Do not use with programmable thermostats.

④ Thermostat does not include fan or system switches.



12-1/2 Ton TCH150D TCD150D

Horizontal and Downflow Packaged Cooling

Specifications: Horizontal

Model Number	Factory Installed Option	Power Supply	Capacity Cooling (BTUH)	EER	Uncrated Dimensions (in.)			Mfg. Plant	Shipping Weight
					H	W	L		
TCH150D300B	—	208-230/3/60	151,000	9.8	50	72	108	CK/001	1460
TCH150D30BB	Ov Motor	208-230/3/60	151,000	9.8	50	72	108	CK/001	1465
TCH150D30FB	TCI	208-230/3/60	151,000	9.8	50	72	108	CK/001	1461
TCH150D400B	—	460/3/60	151,000	9.8	50	72	108	CK/001	1460
TCH150D40BB	Ov Motor	460/3/60	151,000	9.8	50	72	108	CK/001	1465
TCH150D40FB	TCI	460/3/60	151,000	9.8	50	72	108	CK/001	1461
TCH150DW00B	—	575/3/60	151,000	9.8	50	72	108	CK/001	1460
TCH150DW0BB	Ov Motor	575/3/60	151,000	9.8	50	72	108	CK/001	1465
TCH150DW0FB	TCI	575/3/60	151,000	9.8	50	72	108	CK/001	1461

Specifications: Downflow

Model Number	Factory Installed Option	Power Supply	Capacity Cooling (BTUH)	EER	Uncrated Dimensions (in.)			Mfg. Plant	Shipping Weight
					H	W	L		
TCD150D300B	—	208-230/3/60	151,000	9.8	50	72	108	CK/001	1441
TCD150D30AB	Economizer	208-230/3/60	151,000	9.8	50	72	108	CK/001	1531
TCD150D30BB	Ov Motor	208-230/3/60	151,000	9.8	50	72	108	CK/001	1536
TCD150D30CB	Econ/OvMtr	208-230/3/60	151,000	9.8	50	72	108	CK/001	1626
TCD150D30FB	TCI	208-230/3/60	151,000	9.8	50	72	108	CK/001	1442
TCD150D30GB	Econ/TCI	208-230/3/60	151,000	9.8	50	72	108	CK/001	1532
TCD150D400B	—	460/3/60	151,000	9.8	50	72	108	CK/001	1441
TCD150D40AB	Economizer	460/3/60	151,000	9.8	50	72	108	CK/001	1531
TCD150D40BB	Ov Motor	460/3/60	151,000	9.8	50	72	108	CK/001	1536
TCD150D40CB	Econ/OvMtr	460/3/60	151,000	9.8	50	72	108	CK/001	1626
TCD150D40FB	TCI	460/3/60	151,000	9.8	50	72	108	CK/001	1442
TCD150D40GB	Econ/TCI	460/3/60	151,000	9.8	50	72	108	CK/001	1532
TCD150DW00B	—	575/3/60	151,000	9.8	50	72	108	CK/001	1441
TCD150DW0AB	Economizer	575/3/60	151,000	9.8	50	72	108	CK/001	1531
TCD150DW0BB	Ov Motor	575/3/60	151,000	9.8	50	72	108	CK/001	1536
TCD150DW0CB	Econ/OvMtr	575/3/60	151,000	9.8	50	72	108	CK/001	1626
TCD150DW0FB	TCI	575/3/60	151,000	9.8	50	72	108	CK/001	1442
TCD150DW0GB	Econ/TCI	575/3/60	151,000	9.8	50	72	108	CK/001	1532

Features:

- ReliaTel™ controls
- Built in anti-short cycle, time-delay relay and minimum on time controls
- ICS compatibility with either factory or field installed Trane Communications Interface (TCI)
- Quick-adjust idler arm assembly for belt and motor sheave adjustment
- 2" throwaway filters
- Liquid line drier
- Operating charge of R-22
- Fork lift channels
- Trane-Tite-Top (T³) weather tight top and cabinet
- Short orifice refrigerant control
- Trane 3-D® scroll compressors
- Sloped sheet metal drain pan
- Low pressure switches
- Dedicated horizontal and downflow designs
- Single point power for electric heat
- Complete line of optional electric heaters
- Quick-access panels with handles
- Internally enhanced coil tubing
- Low ambient cooling to 0° F standard
- Colored and numbered wiring
- UL listed and CSA certified
- **5 year compressor warranty**



12-1/2 Ton
TCH150D
TCD150D

**Horizontal and
Downflow
Packaged Cooling**

Horizontal Supplementary Heaters: Unit with heater is single circuit/single point.

Model Number	Power Supply	KW Rating	Nominal BTUH	No. of Stages	Used With	Mfg. Plant	Shipping Weight
AYHHTRN318A	208/240/60/3	13.5/18.0	46,100/61,400	1	TCH150D3	CK/001	28
AYHHTRP336A	208/240/60/3	27.0/36.0	92,200/122,900	2	TCH150D3	CK/001	31
AYHHTRP354A	208/240/60/3	40.5/54.0	138,200/184,300	2	TCH150D3	CK/001	38
AYHHTRN418A	460/60/3	18.0	61,400	1	TCH150D4	CK/001	28
AYHHTRP436A	460/60/3	36.0	122,900	2	TCH150D4	CK/001	31
AYHHTRP454A	460/60/3	54.0	184,300	2	TCH150D4	CK/001	38
AYHHTRNW18A	575/60/3	18.0	61,400	1	TCH150DW	CK/001	28
AYHHTRPW36A	575/60/3	36.0	122,900	2	TCH150DW	CK/001	31
AYHHTRPW54A	575/60/3	54.0	184,300	2	TCH150DW	CK/001	38

Downflow Supplementary Heaters: Unit with heater is single circuit/single point.

Model Number	Power Supply	KW Rating	Nominal BTUH	No. of Stages	Used With	Mfg. Plant	Shipping Weight
AYDHTRK318A	208/240/60/3	13.5/18.0	46,100/61,400	1	TCD150D3	CK/001	28
AYDHTRK336A	208/240/60/3	27.0/36.0	92,200/122,900	2	TCD150D3	CK/001	31
AYDHTRK354A	208/240/60/3	40.5/54.0	138,200/184,300	2	TCD150D3	CK/001	38
AYDHTRL418A	460/60/3	18.0	61,400	1	TCD150D4	CK/001	28
AYDHTRK436A	460/60/3	36.0	122,900	2	TCD150D4	CK/001	31
AYDHTRK454A	460/60/3	54.0	184,300	2	TCD150D4	CK/001	38
AYDHTRKW18A	575/60/3	18.0	61,400	1	TCD150DW	CK/001	28
AYDHTRMW36A	575/60/3	36.0	122,900	2	TCD150DW	CK/001	31
AYDHTRKW54A	575/60/3	54.0	184,300	2	TCD150DW	CK/001	38



12-1/2 Ton
TCH150D
TCD150D

Horizontal and
Downflow
Packaged Cooling

Accessories:

Model Number	Description	Used With	Mfg. Plant	Shipping Weight
Extended Warranties – (1 yr - 5 yr – See Extended Warranty Section)				
BAYABRD002B	ReliaTel™ Options Module	See Note ⑥	CK/001	2
BAYCURB026B①⑤	Downflow Roof Curb	TCD150D	CK/001	165
BAYDMPR029C	0-25% Manual Outside Air Damper	TCD150D/TCH150D	CK/001	32
BAYDMPR057A	Motorized Outside Air Damper	TCD150D/TCH150D	CK/001	35
BAYECON089A	Downflow Economizer with Barometric Relief	TCD150D	CK/001	90
BAYECON091A	Horizontal Economizer	TCH150D	CK/001	150
BAYGARD043B	Tool-less Condenser Coil Hail Guard	TC*150D	CK/001	50
BAYSTAT023	Remote Potentiometer	BAYECON089A,091A, BAYDMPR057A	CK/001	1
BAYPWRX029A	Power Exhaust for use with Downflow Economizer/230v	TCD150D	CK/001	75
BAYPWRX030A	Power Exhaust for use with Downflow Economizer/460v	TCD150D	CK/001	75
BAYPWRX031A	Power Exhaust for use with Downflow Economizer/575v	TCD150DW	CK/001	75
BAYHSMT039B	5 HP Oversize Motor Kit	TC*1503,4	CK/001	95
BAYHSMT040B	5 HP Oversize Motor Kit	TC*150DW	CK/001	95
BAYSERV001A	Selective Resistance Service Tester	TCD150D TCH150D	CK/001	2
BAYSENS016A	Temperature Sensor	TCD150D/TCH150D	CK/001	1
BAYFRST003A③	High Temperature Stat	TCD150D/TCH150D	CK/001	1
BAYENTH007A②	Reference Enthalpy Kit	BAYECON089A BAYECON091A	CK/001	1
BAYENTH008A②	Comparative Enthalpy Kit	BAYECON089A BAYECON091A	CK/001	1
BAYDFPS005A⑦	Clogged Filter Switch	TCD150D/TCH150D	CK/001	1
BAYDFPS006A⑦	Fan Failure Switch	BAYECON089A,091A BAYDMPR057A	CK/001	1
BAYLOAM023A	Evaporator Defrost Control (Frostat)	TC*150D w/ReliaTel Options Module	CK/001	3
BAYTUBE008A④	Discharge Air Sensing Kit	TCD150D	CK/001	1
BAYTUBE009A④	Discharge Air Sensing Kit	TCD150D	CK/001	1
BAYVNOR002B	Ventilation Override Kit	TC*150D w/ReliaTel Options Module	CK/001	2

- ① For downflow use only. Cannot be adapted for horizontal units.
- ② Kits contain all necessary parts to achieve desired level of enthalpy control.
- ③ Must be used with either field or factory installed TCI (Trane Communications Interface).
- ④ Used for true discharge air sensing in both heating and cooling models. Functional only with ReliaTel Options Module (BAYABRD002B/FIYABRD002B).
- ⑤ Clarksville Manufacturing has a no-return policy for this roof curb.
- ⑥ BAYABRD002B is required when ordering field installed accessories Clogged Filter Switch (BAYDFPS005A), Fan Fail Switch (BAYDFPS006A), Discharge Air Sensing Kit (BAYTUBE008A or BAYTUBE009A), Frostat (BAYLOAM023A), Ventilation Override (BAYVNOR002B).
- ⑦ Functional only with ReliaTel Options Module (BAYABRD002B/FIYABRD002B).

FOR CHOICE OF ZONE SENSORS (MICRO THERMOSTATS) SEE LAST PAGE BEFORE
"HIGH EFFICIENCY" PACKAGED COOLING



15 Ton
TCH180B
TCD180B

Horizontal and
Downflow
Packaged Cooling

Specifications: Horizontal

Model Number	Factory Installed Option	Power Supply	Capacity Cooling (BTUH)	EER	Uncrated Dimensions (in.)			Mfg. Plant	Shipping Weight
					H	W	L		
TCH180B300H	—	208-230/3/60	182,000	9.9	50	72	108	CK/001	1739
TCH180B30BH	Ov Motor	208-230/3/60	182,000	9.9	50	72	108	CK/001	1814
TCH180B30FH	TCI	208-230/3/60	182,000	9.9	50	72	108	CK/001	1740
TCH180B400H	—	460/3/60	182,000	9.9	50	72	108	CK/001	1739
TCH180B40BH	Ov Motor	460/3/60	182,000	9.9	50	72	108	CK/001	1814
TCH180B40FH	TCI	460/3/60	182,000	9.9	50	72	108	CK/001	1740
TCH180BW00H	—	575/3/60	182,000	9.9	50	72	108	CK/001	1739
TCH180BW0BH	Ov Motor	575/3/60	182,000	9.9	50	72	108	CK/001	1814
TCH180BW0FH	TCI	575/3/60	182,000	9.9	50	72	108	CK/001	1740

Specifications: Downflow

Model Number	Factory Installed Option	Power Supply	Capacity Cooling (BTUH)	EER	Uncrated Dimensions (in.)			Mfg. Plant	Shipping Weight
					H	W	L		
TCD180B300H	—	208-230/3/60	182,000	9.9	50	72	108	CK/001	1725
TCD180B30AH	Economizer	208-230/3/60	182,000	9.9	50	72	108	CK/001	1840
TCD180B30BH	Ov Motor	208-230/3/60	182,000	9.9	50	72	108	CK/001	1810
TCD180B30FH	TCI	208-230/3/60	182,000	9.9	50	72	108	CK/001	1726
TCD180B30GH	Econ/TCI	208-230/3/60	182,000	9.9	50	72	108	CK/001	1915
TCD180B400H	—	460/3/60	182,000	9.9	50	72	108	CK/001	1725
TCD180B40AH	Economizer	460/3/60	182,000	9.9	50	72	108	CK/001	1840
TCD180B40BH	Ov Motor	460/3/60	182,000	9.9	50	72	108	CK/001	1810
TCD180B40CH	Econ/OvMtr	460/3/60	182,000	9.9	50	72	108	CK/001	1915
TCD180B40FH	TCI	460/3/60	182,000	9.9	50	72	108	CK/001	1726
TCD180B40GH	Econ/TCI	460/3/60	182,000	9.9	50	72	108	CK/001	1915
TCD180BW00H	—	575/3/60	182,000	9.9	50	72	108	CK/001	1725
TCD180BW0AH	Economizer	575/3/60	182,000	9.9	50	72	108	CK/001	1840
TCD180BW0BH	Ov Motor	575/3/60	182,000	9.9	50	72	108	CK/001	1810
TCD180BW0CH	Econ/OvMtr	575/3/60	182,000	9.9	50	72	108	CK/001	1915
TCD180BW0FH	TCI	575/3/60	182,000	9.9	50	72	108	CK/001	1726
TCD180BW0GH	Econ/TCI	575/3/60	182,000	9.9	50	72	108	CK/001	1915

Features:

- ReliaTel™ controls
- Built in anti-short cycle, time-delay relay and minimum on time controls
- ICS compatibility with either factory or field installed Trane Communications Interface (TCI)
- Quick-adjust idler arm assembly for belt and motor sheave adjustment
- 2" throwaway filters
- Liquid line drier
- Operating charge of R-22
- Short orifice refrigerant control
- Fork lift channels
- Trane-Tite-Top (T³) weather tight top and cabinet
- Trane 3-D® scroll compressors
- Low pressure switches
- Dedicated horizontal and downflow designs
- Single side access
- Single point power for electric heat
- Complete line of optional electric heaters
- Quick-access panels with handles
- Sloped sheet metal drain pan
- Internally enhanced coil tubing
- Low ambient cooling to 0° F standard
- Colored and numbered wiring
- UL listed and CSA certified
- **5 year compressor warranty**
- **Optional extended warranties**



15 Ton
TCH180B
TCD180B

**Horizontal and
Downflow
Packaged Cooling**

Horizontal Supplementary Heaters: Unit with heater is single circuit/single point.

Model Number	Power Supply	KW Rating	Nominal BTUH	No. of Stages	Used With	Mfg. Plant	Shipping Weight
AYHHTRN318A	208/240/60/3	13.5/18.0	46,100/61,400	1	TCH180B3	CK/001	28
AYHHTRP336A	208/240/60/3	27.0/36.0	92,200/122,900	2	TCH180B3	CK/001	31
AYHHTRP354A	208/240/60/3	40.5/54.0	138,200/184,300	2	TCH180B3	CK/001	38
AYHHTRN418A	460/60/3	18.0	61,400	1	TCH180B4	CK/001	28
AYHHTRP436A	460/60/3	36.0	122,900	2	TCH180B4	CK/001	31
AYHHTRP454A	460/60/3	54.0	184,300	2	TCH180B4	CK/001	38
AYHHTRNW18A	575/60/3	18.0	61,400	1	TCH180BW	CK/001	28
AYHHTRPW36A	575/60/3	36.0	122,900	2	TCH180BW	CK/001	31
AYHHTRPW54A	575/60/3	54.0	184,300	2	TCH180BW	CK/001	38

Downflow Supplementary Heaters: Unit with heater is single circuit/single point.

Model Number	Power Supply	KW Rating	Nominal BTUH	No. of Stages	Used With	Mfg. Plant	Shipping Weight
AYDHTRK318A	208/240/60/3	13.5/18.0	46,100/61,400	1	TCD180B3	CK/001	28
AYDHTRK336A	208/240/60/3	27.0/36.0	92,200/122,900	2	TCD180B3	CK/001	31
AYDHTRK354A	208/240/60/3	40.5/54.0	138,200/184,300	2	TCD180B3	CK/001	38
AYDHTRL418A	460/60/3	18.0	61,400	1	TCD180B4	CK/001	28
AYDHTRK436A	460/60/3	36.0	122,900	2	TCD180B4	CK/001	31
AYDHTRK454A	460/60/3	54.0	184,300	2	TCD180B4	CK/001	38
AYDHTRKW18A	575/60/3	18.0	61,400	1	TCD180BW	CK/001	28
AYDHTRMW36A	575/60/3	36.0	122,900	2	TCD180BW	CK/001	31
AYDHTRKW54A	575/60/3	54.0	184,300	2	TCD180BW	CK/001	38



15 Ton
TCH180B
TCD180B

Horizontal and
Downflow
Packaged Cooling

Accessories:

Model Number	Description	Used With	Mfg. Plant	Shipping Weight
Extended Warranties – (1 yr - 5 yr – See Extended Warranty Section)				
BAYABRD002B	ReliaTel™ Options Module	See Note ⑦	CK/001	2
BAYCURB026B①⑥	Downflow Roof Curb	TCD180B	CK/001	205
BAYDMPR029C	0-25% Manual Outside Air Damper	TCD180B TCH180B	CK/001	32
BAYDMPR057A	Motorized Outside Air Damper	TCD180B TCH180B	CK/001	60
BAYECON089A	Downflow Economizer with Barometric Relief	TCD180B	CK/001	115
BAYECON091A	Horizontal Economizer	TCH180B	CK/001	150
BAYGARD044B	Tool-less Condenser Coil Hail Guard	TC*180B	CK/001	50
BAYSTAT023	Remote Potentiometer	BAYECON089A,091A, BAYDMPR057A	CK/001	1
BAYPWRX029A	Power Exhaust for use with Downflow Economizer/230v	TCD180B3	CK/001	110
BAYPWRX030A	Power Exhaust for use with Downflow Economizer/460v	TCD180B4	CK/001	110
BAYPWRX031A	Power Exhaust for use with Downflow Economizer/575v	TCD180BW	CK/001	110
BAYHSMT039B⑤	5 HP Oversize Motor Kit	TCD180B TCH180B	CK/001	95
BAYHSMT040B⑤	5 HP Oversize Motor Kit	TCH/D180BW	CK/001	75
BAYHSDR005B⑤	High Static Drive	TCH/D180B	CK/001	15
BAYSERV001A	Selective Resistance Service Tester	TCD180B TCH180B	CK/001	2
BAYSENS016A	Temperature Sensor	TCD180B TCH180B	CK/001	1
BAYFRST003A③	High Temperature Stat	TCD180B TCH180B	CK/001	1
BAYENTH007A②	Reference Enthalpy Kit	BAYECON089A BAYECON091A	CK/001	1
BAYENTH008A②	Comparative Enthalpy Kit	BAYECON089A BAYECON091A	CK/001	1
BAYDFPS005A⑧	Clogged Filter Switch	TCD180B TCH180B	CK/001	1
BAYDFPS006A⑧	Fan Failure Switch	BAYECON089A,091A BAYDMPR057A	CK/001	1
BAYLOAM023A	Evaporator Defrost Control (Frostat)	TC*180B w/ReliaTel Options Module	CK/001	3
BAYTUBE008A④	Discharge Air Sensing Kit	TCD180B	CK/001	1
BAYTUBE009A④	Discharge Air Sensing Kit	TCH180B	CK/001	1
BAYVNOR002B	Ventilation Override Kit	TC*180B w/ReliaTel Options Module	CK/001	2

① For downflow use only. Cannot be adapted for horizontal units.

② Kits contain all necessary parts to achieve desired level of enthalpy control.

③ Must be used with either field or factory installed TCI (Trane Communications Interface).

④ Used for true discharge air sensing in both heating and cooling models. Functional only with ReliaTel Options Module (BAYABRD002B/FIYABRD002B).

⑤ High static drive and oversize motors are mutually exclusive. Do not combine.

⑥ Clarksville Manufacturing has a no-return policy for this roof curb.

⑦ BAYABRD002B is required when ordering field installed accessories Clogged Filter Switch (BAYDFPS005A), Fan Fail Switch (BAYDFPS006A), Discharge Air Sensing Kit (BAYTUBE008A or BAYTUBE009A), Frostat (BAYLOAM023A), Ventilation Override (BAYVNOR002B).

⑧ Functional only with ReliaTel Options Module (BAYABRD002B/FIYABRD002B).

FOR CHOICE OF ZONE SENSORS (MICRO THERMOSTATS) SEE LAST PAGE BEFORE
"HIGH EFFICIENCY" PACKAGED COOLING



17-1/2 Ton TCH210C TCD210C

Horizontal and Downflow Packaged Cooling

Specifications: Horizontal

Model Number	Factory Installed Option	Power Supply	Capacity Cooling		Uncrated Dimensions (in.)			Mfg. Plant	Shipping Weight
			(BTUH)	EER	H	W	L		
TCH210C300E	—	208-230/3/60	210,000	9.8	50	72	108	CK/001	1820
TCH210C30BE	Ov Motor	208-230/3/60	210,000	9.8	50	72	108	CK/001	1930
TCH210C30FE	TCI	208-230/3/60	210,000	9.8	50	72	108	CK/001	1821
TCH210C400E	—	460/3/60	210,000	9.8	50	72	108	CK/001	1820
TCH210C40BE	Ov Motor	460/3/60	210,000	9.8	50	72	108	CK/001	1930
TCH210C40FE	TCI	460/3/60	210,000	9.8	50	72	108	CK/001	1821
TCH210CW00E	—	575/3/60	210,000	9.8	50	72	108	CK/001	1820
TCH210CW0BE	Ov Motor	575/3/60	210,000	9.8	50	72	108	CK/001	1930
TCH210CW0FE	TCI	575/3/60	210,000	9.8	50	72	108	CK/001	1821

Specifications: Downflow

Model Number	Factory Installed Option	Power Supply	Capacity Cooling		Uncrated Dimensions (in.)			Mfg. Plant	Shipping Weight
			(BTUH)	EER	H	W	L		
TCD210C300E	—	208-230/3/60	210,000	9.8	50	72	108	CK/001	1806
TCD210C30AE	Economizer	208-230/3/60	210,000	9.8	50	72	108	CK/001	1921
TCD210C30BE	Ov Motor	208-230/3/60	210,000	9.8	50	72	108	CK/001	1916
TCD210C30CE	Econ/OvMtr	208-230/3/60	210,000	9.8	50	72	108	CK/001	2031
TCD210C30FE	TCI	208-230/3/60	210,000	9.8	50	72	108	CK/001	1807
TCD210C30GE	Econ/TCI	208-230/3/60	210,000	9.8	50	72	108	CK/001	1922
TCD210C400E	—	460/3/60	210,000	9.8	50	72	108	CK/001	1806
TCD210C40AE	Economizer	460/3/60	210,000	9.8	50	72	108	CK/001	1921
TCD210C40BE	Ov Motor	460/3/60	210,000	9.8	50	72	108	CK/001	1916
TCD210C40CE	Econ/OvMtr	460/3/60	210,000	9.8	50	72	108	CK/001	2031
TCD210C40FE	TCI	460/3/60	210,000	9.8	50	72	108	CK/001	1807
TCD210C40GE	Econ/TCI	460/3/60	210,000	9.8	50	72	108	CK/001	1922
TCD210CW00E	—	575/3/60	210,000	9.8	50	72	108	CK/001	1806
TCD210CW0AE	Economizer	575/3/60	210,000	9.8	50	72	108	CK/001	1921
TCD210CW0BE	Ov Motor	575/3/60	210,000	9.8	50	72	108	CK/001	1916
TCD210CW0CE	Econ/OvMtr	575/3/60	210,000	9.8	50	72	108	CK/001	2031
TCD210CW0FE	TCI	575/3/60	210,000	9.8	50	72	108	CK/001	1807
TCD210CW0GE	Econ/TCI	575/3/60	210,000	9.8	50	72	108	CK/001	1922

Features:

- ReliaTel™ controls
- Built in anti-short cycle, time-delay relay and minimum on time controls
- ICS compatibility with either factory or field installed Trane Communications Interface (TCI)
- Quick-adjust idler arm assembly for belt and motor sheave adjustment
- 2" throwaway filters
- Liquid line drier
- Operating charge of R-22
- Short orifice refrigerant control
- Fork lift channels
- Trane-Tite-Top (T³) weather tight top and cabinet
- Trane 3-D® scroll compressors
- Low pressure switches
- Dedicated horizontal and downflow designs
- Single side access
- Single point power for electric heat
- Complete line of optional electric heaters
- Quick-access panels with handles
- Sloped sheet metal drain pan
- Internally enhanced coil tubing
- Low ambient cooling to 0° F standard
- Colored and numbered wiring
- UL listed and CSA certified
- **5 year compressor warranty**
- **Optional extended warranties**



17-1/2 Ton
TCH210C
TCD210C

**Horizontal and
Downflow
Packaged Cooling**

Horizontal Supplementary Heaters: Unit with heater is single circuit/single point.

Model Number	Power Supply	KW Rating	Nominal BTUH	No. of Stages	Used With	Mfg. Plant	Shipping Weight
AYHHTRQ336A	208/240/60/3	27.0/36.0	92,200/122,900	1	TCH210C3	CK/001	33
AYHHTRQ354A	208/240/60/3	40.5/54.0	138,200/184,300	2	TCH210C3	CK/001	40
AYHHTRQ436A	460/60/3	36.0	122,900	2	TCH210C4	CK/001	31
AYHHTRQ454A	460/60/3	54.0	184,300	2	TCH210C4	CK/001	38
AYHHTRPW36A	575/60/3	36.0	122,900	2	TCH210CW	CK/001	31
AYHHTRQW54A	575/60/3	54.0	184,300	2	TCH210CW	CK/001	38

Downflow Supplementary Heaters: Unit with heater is single circuit/single point.

Model Number	Power Supply	KW Rating	Nominal BTUH	No. of Stages	Used With	Mfg. Plant	Shipping Weight
AYDHTRL336A	208/240/60/3	27.0/36.0	92,200/122,900	2	TCD210C3	CK/001	31
AYDHTRL354A	208/240/60/3	40.5/54.0	138,200/184,300	2	TCD210C3	CK/001	38
AYDHTRL436A	460/60/3	36.0	122,900	2	TCD210C4	CK/001	31
AYDHTRL454A	460/60/3	54.0	184,300	2	TCD210C4	CK/001	38
AYDHTRMW36A	460/60/3	36.0	122,900	2	TCD210CW	CK/001	31
AYDHTRLW54A	460/60/3	54.0	184,300	2	TCD210CW	CK/001	38



17-1/2 Ton
TCH210C
TCD210C

Horizontal and
Downflow
Packaged Cooling

Accessories:

Model Number	Description	Used With	Mfg. Plant	Shipping Weight
Extended Warranties – (1 yr - 5 yr – See Extended Warranty Section)				
BAYABRD002B	ReliaTel™ Options Module	See Note ⑦	CK/001	2
BAYCURB026B①⑥	Downflow Roof Curb	TCD210C	CK/001	205
BAYDMPR029C	0-25% Manual Outside Air Damper	TCD210C TCH210C	CK/001	32
BAYDMPR057A	Motorized Outside Air Damper	TCD210C TCH210C	CK/001	60
BAYECON089A	Downflow Economizer with Barometric Relief	TCD210C	CK/001	112
BAYECON091A	Horizontal Economizer	TCH210C	CK/001	85
BAYGARD044B	Tool-less Condenser Coil Hail Guard	TC*210C	CK/001	50
BAYSTAT023	Remote Potentiometer	BAYECON089A,091A BAYDMPR057A	CK/001	1
BAYPWRX029A	Power Exhaust for use with Downflow Economizer/230v	TCD210C3	CK/001	95
BAYPWRX030A	Power Exhaust for use with Downflow Economizer/460v	TCD210C4	CK/001	95
BAYPWRX031A	Power Exhaust for use with Downflow Economizer/575v	TCD210CW	CK/001	95
BAYHSMT059A④	7½ HP Oversize Motor Kit	TCD210C3 TCH210C3	CK/001	110
BAYHSMT060A④	7½ HP Oversize Motor Kit	TCD/TCH210C4	CK/001	110
BAYHSMT061A④	7½ HP Oversize Motor Kit/575v	TCD/TCH210CW	CK/001	110
BAYLSDR004A④	Low Static Drive	TCD/TCH210C	CK/001	15
BAYSERV001A	Selective Resistance Service Tester	TCD210C TCH210C	CK/001	2
BAYSENS016A	Temperature Sensor	TCD210C TCH210C	CK/001	1
BAYFRST003A③	High Temperature Stat	TCD210C TCH210C	CK/001	1
BAYENTH007A②	Reference Enthalpy Kit	BAYECON089A,091A	CK/001	1
BAYENTH008A②	Comparative Enthalpy Kit	BAYECON089A,091A	CK/001	1
BAYDFPS005A⑧	Clogged Filter Switch	TCD210C TCH210C	CK/001	1
BAYDFPS006A⑧	Fan Failure Switch	BAYECON089A,091A BAYDMPR057A	CK/001	1
BAYLOAM023A	Evaporator Defrost Control (Frostat)	TC*210C w/ReliaTel Options Module	CK/001	3
BAYTUBE008A⑤	Discharge Air Sensing Kit	TCD210C	CK/001	1
BAYTUBE009A⑤	Discharge Air Sensing Kit	TCH210C	CK/001	1
BAYVNOR002B	Ventilation Override Kit	TC*210C w/ReliaTel Options Module	CK/001	2

① For downflow use only. Cannot be adapted for horizontal units.

② Kits contain all necessary parts to achieve desired level of enthalpy control.

③ Must be used with either field or factory installed TCI (Trane Communications Interface).

④ Low static drive and oversized motors are mutually exclusive. Do not combine.

⑤ Used for true discharge air sensing in both heating and cooling models. Functional only with ReliaTel Options Module (BAYABRD002B/FIYABRD002B).

⑥ Clarksville Manufacturing has a no-return policy for this roof curb.

⑦ BAYABRD002B is required when ordering field installed accessories Clogged Filter Switch (BAYDFPS005A), Fan Fail Switch (BAYDFPS006A), Discharge Air Sensing Kit (BAYTUBE008A or BAYTUBE009A), Frostat (BAYLOAM023A), Ventilation Override (BAYVNOR002B).

⑧ Functional only with ReliaTel Options Module (BAYABRD002B/FIYABRD002B).

FOR CHOICE OF ZONE SENSORS (MICRO THERMOSTATS) SEE LAST PAGE BEFORE
"HIGH EFFICIENCY" PACKAGED COOLING



20 Ton
TCH240B
TCD240B

Horizontal and
Downflow
Packaged Cooling

Specifications: Horizontal

Model Number	Factory Installed Option	Power Supply	Capacity Cooling (BTUH)	EER	Uncrated Dimensions (in.)			Mfg. Plant	Shipping Weight
					H	W	L		
TCH240B300J	—	208-230/3/60	242,000	9.7	54	86	123	CK/001	2309
TCH240B30BJ	Ov Motor	208-230/3/60	242,000	9.7	54	86	123	CK/001	2399
TCH240B30FJ	TCI	208-230/3/60	242,000	9.7	54	86	123	CK/001	2310
TCH240B400J	—	460/3/60	242,000	9.7	54	86	123	CK/001	2309
TCH240B40BJ	Ov Motor	460/3/60	242,000	9.7	54	86	123	CK/001	2399
TCH240B40FJ	TCI	460/3/60	242,000	9.7	54	86	123	CK/001	2310
TCH240BW00J	—	575/3/60	242,000	9.7	54	86	123	CK/001	2309
TCH240BW0BJ	Ov Motor	575/3/60	242,000	9.7	54	86	123	CK/001	2399
TCH240BW0FJ	TCI	575/3/60	242,000	9.7	54	86	123	CK/001	2310

Specifications: Downflow

Model Number	Factory Installed Option	Power Supply	Capacity Cooling (BTUH)	EER	Uncrated Dimensions (in.)			Mfg. Plant	Shipping Weight
					H	W	L		
TCD240B300J	—	208-230/3/60	242,000	9.7	54	86	123	CK/001	2293
TCD240B30AJ	Economizer	208-230/3/60	242,000	9.7	54	86	123	CK/001	2428
TCD240B30BJ	Ov Motor	208-230/3/60	242,000	9.7	54	86	123	CK/001	2383
TCD240B30CJ	Econ/OvMtr	208-230/3/60	242,000	9.7	54	86	123	CK/001	2518
TCD240B30FJ	TCI	208-230/3/60	242,000	9.7	54	86	123	CK/001	2294
TCD240B30GJ	Econ/TCI	208-230/3/60	242,000	9.7	54	86	123	CK/001	2429
TCD240B400J	—	460/3/60	242,000	9.7	54	86	123	CK/001	2293
TCD240B40AJ	Economizer	460/3/60	242,000	9.7	54	86	123	CK/001	2428
TCD240B40BJ	Ov Motor	460/3/60	242,000	9.7	54	86	123	CK/001	2383
TCD240B40CJ	Econ/OvMtr	460/3/60	242,000	9.7	54	86	123	CK/001	2518
TCD240B40FJ	TCI	460/3/60	242,000	9.7	54	86	123	CK/001	2294
TCD240B40GJ	Econ/TCI	460/3/60	242,000	9.7	54	86	123	CK/001	2429
TCD240BW00J	—	575/3/60	242,000	9.7	54	86	123	CK/001	2293
TCD240BW0AJ	Economizer	575/3/60	242,000	9.7	54	86	123	CK/001	2428
TCD240BW0BJ	Ov Motor	575/3/60	242,000	9.7	54	86	123	CK/001	2383
TCD240BW0CJ	Econ/OvMtr	575/3/60	242,000	9.7	54	86	123	CK/001	2518
TCD240BW0FJ	TCI	575/3/60	242,000	9.7	54	86	123	CK/001	2294
TCD240BW0GJ	Econ/TCI	575/3/60	242,000	9.7	54	86	123	CK/001	2429

Features:

- ReliaTel™ controls
- Built in anti-short cycle, time-delay relay and minimum on time controls
- ICS compatibility with either factory or field installed Trane Communications Interface (TCI)
- Quick-adjust idler arm assembly for belt and motor sheave adjustment
- 2" throwaway filters
- Liquid line drier
- Operating charge of R-22
- Short orifice refrigerant control
- Fork lift channels
- Trane-Tite-Top (T³) weather tight top and cabinet
- Trane 3-D® scroll compressors
- Low pressure switches
- Dedicated horizontal and downflow designs
- Single side access
- Single point power for electric heat
- Complete line of optional electric heaters
- Quick-access panels with handles
- Sloped sheet metal drain pan
- Internally enhanced coil tubing
- Low ambient cooling to 0° F standard
- Colored and numbered wiring
- UL listed and CSA certified
- **1 year compressor warranty**
- **Optional extended warranties**



25 Ton TCH300B TCD300B

Horizontal and Downflow Packaged Cooling

Specifications: Horizontal

Model Number	Factory Installed Option	Power Supply	Capacity Cooling (BTUH)	EER	Uncrated Dimensions (in.)			Mfg. Plant	Shipping Weight
					H	W	L		
TCH300B300H	—	208-230/3/60	290,000	9.7	54	86	123	CK/001	2395
TCH300B30FH	TCI	208-230/3/60	290,000	9.7	54	86	123	CK/001	2395
TCH300B400H	—	460/3/60	290,000	9.7	54	86	123	CK/001	2395
TCH300B40FH	TCI	460/3/60	290,000	9.7	54	86	123	CK/001	2395
TCH300BW00H	—	575/3/60	290,000	9.7	54	86	123	CK/001	2395
TCH300BW0FH	TCI	575/3/60	290,000	9.7	54	86	123	CK/001	2395

Specifications: Downflow

Model Number	Factory Installed Option	Power Supply	Capacity Cooling (BTUH)	EER	Uncrated Dimensions (in.)			Mfg. Plant	Shipping Weight
					H	W	L		
TCD300B300H	—	208-230/3/60	290,000	9.7	54	86	123	CK/001	2350
TCD300B30AH	Economizer	208-230/3/60	290,000	9.7	54	86	123	CK/001	2485
TCD300B30FH	TCI	208-230/3/60	290,000	9.7	54	86	123	CK/001	2350
TCD300B30GH	Econ/TCI	208-230/3/60	290,000	9.7	54	86	123	CK/001	2485
TCD300B400H	—	460/3/60	290,000	9.7	54	86	123	CK/001	2350
TCD300B40AH	Economizer	460/3/60	290,000	9.7	54	86	123	CK/001	2485
TCD300B40FH	TCI	460/3/60	290,000	9.7	54	86	123	CK/001	2350
TCD300B40GH	Econ/TCI	460/3/60	290,000	9.7	54	86	123	CK/001	2485
TCD300BW00H	—	575/3/60	290,000	9.7	54	86	123	CK/001	2350
TCD300BW0AH	Economizer	575/3/60	290,000	9.7	54	86	123	CK/001	2485
TCD300BW0FH	TCI	575/3/60	290,000	9.7	54	86	123	CK/001	2350
TCD300BW0GH	Econ/TCI	575/3/60	290,000	9.7	54	86	123	CK/001	2485

Features:

- ReliaTel™ Controls
- Built in anti-short cycle, time-delay relay and minimum on time controls
- Belt Drive Evaporator Motor
- Quick-adjust idler arm assembly for belt and motor sheave adjustment
- 2" throwaway filters
- Liquid line drier
- Fork lift channels
- Operating charge of R-22
- Short orifice refrigerant control
- Weather tight top and cabinet
- Trane 3-D® scroll compressors
- Low pressure switches
- Dedicated horizontal and downflow designs
- Single side access
- Single point power for electric heat
- Complete line of optional electric heaters
- Quick-access panels with handles
- Internally enhanced coil tubing
- Sloped sheet metal drain pan
- Low ambient to 0° F standard
- Colored and numbered wiring
- UL listed
- ICS compatibility with either factory or field-installed Trane Communications Interface (TCI)
- **1 year compressor warranty**
- **Optional extended warranties**



20 — 25 Ton
TCH240 - 300B
TCD240 - 300B

**Horizontal and
Downflow
Packaged Cooling**

Horizontal Supplementary Heaters: Unit with heater is single circuit/single point.

Model Number	Power Supply	KW Rating	Nominal BTUH	No. of Stages	Used With	Mfg. Plant	Shipping Weight
AYHHTRN336A	208/240/3/60	27.0/36.0	92,200/122,900	2	TCH240-300B3	CK/001	31
AYHHTRN354A	208/240/3/60	40.5/54.0	138,200/184,300	2	TCH240-300B3	CK/001	38
AYHHTRN372A	208/240/3/60	54.0/72.0	184,300/245,700	2	TCH240-300B3	CK/001	34
AYHHTRN436A	460/3/60	36.0	122,900	2	TCH240-300B4	CK/001	31
AYHHTRN454A	460/3/60	54.0	184,300	2	TCH240-300B4	CK/001	38
AYHHTRN472A	460/3/60	72.0	245,700	2	TCH240-300B4	CK/001	34
AYHHTRMW36A	575/3/60	36.0	122,900	2	TCH240-300BW	CK/001	31
AYHHTRNW54A	575/3/60	54.0	184,300	2	TCH240-300BW	CK/001	38
AYHHTRNW72A	575/3/60	72.0	245,700	2	TCH240-300BW	CK/001	34

Downflow Supplementary Heaters: Unit with heater is single circuit/single point.

Model Number	Power Supply	KW Rating	Nominal BTUH	No. of Stages	Used With	Mfg. Plant	Shipping Weight
AYDHTRL336A	208/240/3/60	27.0/36.0	92,200/122,900	2	TCD240-300B3	CK/001	31
AYDHTRL354A	208/240/3/60	40.5/54.0	138,200/184,300	2	TCD240-300B3	CK/001	38
AYDHTRK372A	208/240/3/60	54.0/72.0	184,300/245,700	2	TCD240-300B3	CK/001	34
AYDHTRL436A	460/3/60	36.0	122,900	2	TCD240-300B4	CK/001	31
AYDHTRL454A	460/3/60	54.0	184,300	2	TCD240-300B4	CK/001	38
AYDHTRK472A	460/3/60	72.0	245,700	2	TCD240-300B4	CK/001	34
AYDHTRMW36A	575/3/60	36.0	122,900	2	TCD240-300BW	CK/001	31
AYDHTRLW54A	575/3/60	54.0	184,300	2	TCD240-300BW	CK/001	38
AYDHTRKW72A	575/3/60	72.0	245,700	2	TCD240-300BW	CK/001	34



20 — 25 Ton
TCH240 - 300B
TCD240 - 300B

Horizontal and
Downflow
Packaged Cooling

Accessories:

Model Number	Description	Used With	Mfg. Plant	Shipping Weight
Extended Warranties – (1 yr - 5 yr – See Extended Warranty Section)				
BAYABRD002B	ReliaTel™ Options Module	See Note ⑦	CK/001	2
BAYCURB027B①⑥	Downflow Roof Curb	TCD240-300B	CK/001	235
BAYDMPR029C	0-25% Manual Outside Air Damper	TCD240-300B TCH240-300B	CK/001	32
BAYDMPR058A	Motorized Outside Air Damper	TCD240-300B TCH240-300B	CK/001	75
BAYECON090A	Downflow Economizer with Barometric Relief	TCD240-300B	CK/001	135
BAYECON092A	Horizontal Economizer	TCH240-300B	CK/001	210
BAYGARD045A	Tool-less Condenser Coil Hail Guard	TC*240B	CK/001	60
BAYGARD047A	Tool-less Condenser Coil Hail Guard	TC*300B	CK/001	60
BAYSTAT023	Remote Potentiometer	BAYECON090A,092A BAYDMPR058A	CK/001	1
BAYPWRX029A	Power Exhaust for use with Downflow Economizer/230v	TCD240-300B3	CK/001	95
BAYPWRX030A	Power Exhaust for use with Downflow Economizer/460v	TCD240-300B4	CK/001	95
BAYPWRX031A	Power Exhaust for use with Downflow Economizer/575v	TCD240-300BW	CK/001	95
BAYHSMT042A⑤	7½ HP Oversize Motor Kit	TCD/TCH240BW	CK/001	90
BAYHSMT098A⑤	7½ HP Oversize Motor Kit	TCD240B3/TCH240B3	CK/001	90
BAYHSMT099A⑤	7½ HP Oversize Motor Kit	TCD240B4/TCH240B4	CK/001	90
BAYHSDR005B⑤	High Static Drive	TCD/TCH240B	CK/001	2
BAYHSDR010A⑤	High Static Drive	TCD/TCH300B	CK/001	2
BAYLSDR002A	Low Static Drive	TCD300B/TCH300B	CK/001	15
BAYSERV001A	Selective Resistance Service Tester	TCD240-300B TCH240-300B	CK/001	2
BAYSENS016A	Temperature Sensor	TCD240-300B TCH240-300B	CK/001	1
BAYFRST003A③	High Temperature Stat	TCD240-300B TCH240-300B	CK/001	1
BAYENTH007A②	Reference Enthalpy Kit	BAYECON090A,092A	CK/001	1
BAYENTH008A②	Comparative Enthalpy Kit	BAYECON090A,092A	CK/001	1
BAYDFPS005A⑧	Clogged Filter Switch	TCD240-300B TCH240-300B	CK/001	1
BAYDFPS006A⑧	Fan Failure Switch	BAYECON090A,092A BAYDMPR058A	CK/001	1
BAYLOAM023A	Evaporator Defrost Control (Frostat)	TC*240-300B w/ReliaTel Options Module	CK/001	3
BAYTUBE008A④	Discharge Air Sensing Kit	TCD240-300B	CK/001	1
BAYTUBE009A④	Discharge Air Sensing Kit	TCH240-300B	CK/001	1
BAYVNOR002B	Ventilation Override Kit	TC*240-300B w/ReliaTel Options Module	CK/001	2

① For downflow use only. Cannot be adapted for horizontal units.

② Kits contain all necessary parts to achieve desired level of enthalpy control.

③ Must be used with either field or factory installed TCI (Trane Communications Interface).

④ Used for true discharge air sensing in both heating and cooling models. Functional only with ReliaTel Options Module (BAYABRD002B/FIYABRD002B).

⑤ Low and high static drives and oversize motors are mutually exclusive. Do not combine.

⑥ Clarksville Manufacturing has a no-return policy for this roof curb.

⑦ BAYABRD002B is required when ordering field installed accessories Clogged Filter Switch (BAYDFPS005A), Fan Fail Switch (BAYDFPS006A), Discharge Air Sensing Kit (BAYTUBE008A or BAYTUBE009A), Frostat (BAYLOAM023A), Ventilation Override (BAYVNOR002B).

⑧ Functional only with ReliaTel Options Module (BAYABRD002B/FIYABRD002B).

FOR CHOICE OF ZONE SENSORS (MICRO THERMOSTATS) SEE LAST PAGE BEFORE
"HIGH EFFICIENCY" PACKAGED COOLING



12-1/2 Ton
TCH150E
TCD150E

Horizontal and
Downflow
Packaged Cooling

Specifications: Horizontal

Model Number	Factory Installed Option	Power Supply	Capacity Cooling (BTUH)	EER	Uncrated Dimensions (in.)			Mfg. Plant	Shipping Weight
					H	W	L		
TCH150E300A	—	208-230/3/60	148,000	11.0	50	72	108	CK/001	1860
TCH150E30BA	Ov Motor	208-230/3/60	148,000	11.0	50	72	108	CK/001	1900
TCH150E30FA	TCI	208-230/3/60	148,000	11.0	50	72	108	CK/001	1861
TCH150E400A	—	460/3/60	148,000	11.0	50	72	108	CK/001	1860
TCH150E40BA	Ov Motor	460/3/60	148,000	11.0	50	72	108	CK/001	1900
TCH150E40FA	TCI	460/3/60	148,000	11.0	50	72	108	CK/001	1861
TCH150EW00A	—	575/3/60	148,000	11.0	50	72	108	CK/001	1860
TCH150EW0BA	Ov Motor	575/3/60	148,000	11.0	50	72	108	CK/001	1900
TCH150EW0FA	TCI	575/3/60	148,000	11.0	50	72	108	CK/001	1861

Specifications: Downflow

Model Number	Factory Installed Option	Power Supply	Capacity Cooling (BTUH)	EER	Uncrated Dimensions (in.)			Mfg. Plant	Shipping Weight
					H	W	L		
TCD150E300A	—	208-230/3/60	148,000	11.0	50	72	108	CK/001	1860
TCD150E30AA	Economizer	208-230/3/60	148,000	11.0	50	72	108	CK/001	1950
TCD150E30BA	Ov Motor	208-230/3/60	148,000	11.0	50	72	108	CK/001	1900
TCD150E30CA	Econ/OvMtr	208-230/3/60	148,000	11.0	50	72	108	CK/001	1990
TCD150E30FA	TCI	208-230/3/60	148,000	11.0	50	72	108	CK/001	1861
TCD150E30GA	Econ/TCI	208-230/3/60	148,000	11.0	50	72	108	CK/001	1951
TCD150E400A	—	460/3/60	148,000	11.0	50	72	108	CK/001	1860
TCD150E40AA	Economizer	460/3/60	148,000	11.0	50	72	108	CK/001	1950
TCD150E40BA	Ov Motor	460/3/60	148,000	11.0	50	72	108	CK/001	1900
TCD150E40CA	Econ/OvMtr	460/3/60	148,000	11.0	50	72	108	CK/001	1990
TCD150E40FA	TCI	460/3/60	148,000	11.0	50	72	108	CK/001	1861
TCD150E40GA	Econ/TCI	460/3/60	148,000	11.0	50	72	108	CK/001	1951
TCD150EW00A	—	575/3/60	148,000	11.0	50	72	108	CK/001	1860
TCD150EW0AA	Economizer	575/3/60	148,000	11.0	50	72	108	CK/001	1950
TCD150EW0BA	Ov Motor	575/3/60	148,000	11.0	50	72	108	CK/001	1900
TCD150EW0CA	Econ/OvMtr	575/3/60	148,000	11.0	50	72	108	CK/001	1990
TCD150EW0FA	TCI	575/3/60	148,000	11.0	50	72	108	CK/001	1861
TCD150EW0GA	Econ/TCI	575/3/60	148,000	11.0	50	72	108	CK/001	1951

Features:

- ReliaTel™ controls
- Built in anti-short cycle, time-delay relay and minimum on time controls
- ICS compatibility with either factory or field installed Trane Communications Interface (TCI)
- Quick-adjust idler arm assembly for belt and motor sheave adjustment
- 2" throwaway filters
- Liquid line drier
- Operating charge of R-410A
- Fork lift channels
- Trane-Tite-Top (T³) weather tight top and cabinet
- Short orifice refrigerant control
- Trane 3-D® scroll compressors
- Sloped sheet metal drain pan
- Low pressure switches
- Dedicated horizontal and downflow designs
- Single point power for electric heat
- Complete line of optional electric heaters
- Quick-access panels with handles
- Internally enhanced coil tubing
- Low ambient cooling to 0° F standard
- Colored and numbered wiring
- UL listed and CSA certified
- **5 year compressor warranty**



12-1/2 Ton
TCH150E
TCD150E

**Horizontal and
Downflow
Packaged Cooling**

Horizontal Supplementary Heaters: Unit with heater is single circuit/single point.

Model Number	Power Supply	KW Rating	Nominal BTUH	No. of Stages	Used With	Mfg. Plant	Shipping Weight
AYHHTRN318A	208/240/60/3	13.5/18.0	46,100/61,400	1	TCH150E3	CK/001	28
AYHHTRP336A	208/240/60/3	27.0/36.0	92,200/122,900	2	TCH150E3	CK/001	31
AYHHTRP354A	208/240/60/3	40.5/54.0	138,200/184,300	2	TCH150E3	CK/001	38
AYHHTRN418A	460/60/3	18.0	61,400	1	TCH150E4	CK/001	28
AYHHTRP436A	460/60/3	36.0	122,900	2	TCH150E4	CK/001	31
AYHHTRP454A	460/60/3	54.0	184,300	2	TCH150E4	CK/001	38
AYHHTRNW18A	575/60/3	18.0	61,400	1	TCH150EW	CK/001	28
AYHHTRPW36A	575/60/3	36.0	122,900	2	TCH150EW	CK/001	31
AYHHTRPW54A	575/60/3	54.0	184,300	2	TCH150EW	CK/001	38

Downflow Supplementary Heaters: Unit with heater is single circuit/single point.

Model Number	Power Supply	KW Rating	Nominal BTUH	No. of Stages	Used With	Mfg. Plant	Shipping Weight
AYDHTRK318A	208/240/60/3	13.5/18.0	46,100/61,400	1	TCD150E3	CK/001	28
AYDHTRK336A	208/240/60/3	27.0/36.0	92,200/122,900	2	TCD150E3	CK/001	31
AYDHTRK354A	208/240/60/3	40.5/54.0	138,200/184,300	2	TCD150E3	CK/001	38
AYDHTRL418A	460/60/3	18.0	61,400	1	TCD150E4	CK/001	28
AYDHTRK436A	460/60/3	36.0	122,900	2	TCD150E4	CK/001	31
AYDHTRK454A	460/60/3	54.0	184,300	2	TCD150E4	CK/001	38
AYDHTRKW18A	575/60/3	18.0	61,400	1	TCD150EW	CK/001	28
AYDHTRMW36A	575/60/3	36.0	122,900	2	TCD150EW	CK/001	31
AYDHTRKW54A	575/60/3	54.0	184,300	2	TCD150EW	CK/001	38



12-1/2 Ton
TCH150E
TCD150E

**Horizontal and
Downflow
Packaged Cooling**

Accessories:

Model Number	Description	Used With	Mfg. Plant	Shipping Weight
BAYABRD002B	ReliaTel™ Options Module	See Note ⑥	CK/001	2
BAYCURB026B①⑤	Downflow Roof Curb	TCD150E	CK/001	165
BAYDMPR029C	0-25% Manual Outside Air Damper	TCD150E TCH150E	CK/001	32
BAYDMPR057A	Motorized Outside Air Damper	TCD150E TCH150E	CK/001	35
BAYECON089A	Downflow Economizer with Barometric Relief	TCD150E	CK/001	90
BAYECON091A	Horizontal Economizer	TCH150E	CK/001	150
BAYGARD043B	Tool-less Condenser Coil Hail Guard	TC*150E	CK/001	50
BAYSTAT023	Remote Potentiometer	BAYECON089A,091A, BAYDMPR057A	CK/001	1
BAYPWRX029A	Power Exhaust for use with Downflow Economizer/230v	TCD150E	CK/001	75
BAYPWRX030A	Power Exhaust for use with Downflow Economizer/460v	TCD150E	CK/001	75
BAYPWRX031A	Power Exhaust for use with Downflow Economizer/575v	TCD150EW	CK/001	75
BAYHSMT039B	5 HP Oversize Motor Kit	TC*150E3,4	CK/001	95
BAYHSMT040B	5 HP Oversize Motor Kit	TC*150EW	CK/001	95
BAYSERV001A	Selective Resistance Service Tester	TCD150E TCH150E	CK/001	2
BAYSENS016A	Temperature Sensor	TCD150E TCH150E	CK/001	1
BAYFRST003A③	High Temperature Stat	TCD150E TCH150E	CK/001	1
BAYENTH007A②	Reference Enthalpy Kit	BAYECON089A BAYECON091A	CK/001	1
BAYENTH008A②	Comparative Enthalpy Kit	BAYECON089A BAYECON091A	CK/001	1
BAYDFPS005A⑦	Clogged Filter Switch	TCD150E TCH150E	CK/001	1
BAYDFPS006A⑦	Fan Failure Switch	BAYECON089A,091A BAYDMPR057A	CK/001	1
BAYLOAM023A	Evaporator Defrost Control (Frostat)	TC*150E w/ReliaTel Options Module	CK/001	3
BAYTUBE008A④	Discharge Air Sensing Kit	TCD150E	CK/001	1
BAYTUBE009A④	Discharge Air Sensing Kit	TCD150E	CK/001	1
BAYVNOR002B	Ventilation Override Kit	TC*150E w/ReliaTel Options Module	CK/001	2

① For downflow use only. Cannot be adapted for horizontal units.

② Kits contain all necessary parts to achieve desired level of enthalpy control.

③ Must be used with either field or factory installed TCI (Trane Communications Interface).

④ Used for true discharge air sensing in both heating and cooling models. Functional only with ReliaTel Options Module (BAYABRD002B/FIYABRD002B).

⑤ Clarksville Manufacturing has a no-return policy for this roof curb.

⑥ BAYABRD002B is required when ordering field installed accessories Clogged Filter Switch (BAYDFPS005A), Fan Fail Switch (BAYDFPS006A), Discharge Air Sensing Kit (BAYTUBE008A or BAYTUBE009A), Frostat (BAYLOAM023A), Ventilation Override (BAYVNOR002B).

⑦ Functional only with ReliaTel Options Module (BAYABRD002B/FIYABRD002B).



15 Ton TCH180E TCD180E

Horizontal and Downflow Packaged Cooling

Specifications: Horizontal

Model Number	Factory Installed Option	Power Supply	Capacity Cooling (BTUH)	EER	Uncrated Dimensions (in.)			Mfg. Plant	Shipping Weight
					H	W	L		
TCH180E300A	—	208-230/3/60	178,000	11.0	54	86	123	CK/001	2370
TCH180E30BA	Ov Motor	208-230/3/60	178,000	11.0	54	86	123	CK/001	2410
TCH180E30FA	TCI	208-230/3/60	178,000	11.0	54	86	123	CK/001	2371
TCH180E400A	—	460/3/60	178,000	11.0	54	86	123	CK/001	2370
TCH180E40BA	Ov Motor	460/3/60	178,000	11.0	54	86	123	CK/001	2410
TCH180E40FA	TCI	460/3/60	178,000	11.0	54	86	123	CK/001	2371
TCH180EW00A	—	575/3/60	178,000	11.0	54	86	123	CK/001	2370
TCH180EW0BA	Ov Motor	575/3/60	178,000	11.0	54	86	123	CK/001	2410
TCH180EW0FA	TCI	575/3/60	178,000	11.0	54	86	123	CK/001	2371

Specifications: Downflow

Model Number	Factory Installed Option	Power Supply	Capacity Cooling (BTUH)	EER	Uncrated Dimensions (in.)			Mfg. Plant	Shipping Weight
					H	W	L		
TCD180E300A	—	208-230/3/60	178,000	11.0	54	86	123	CK/001	2370
TCD180E30AA	Economizer	208-230/3/60	178,000	11.0	54	86	123	CK/001	2460
TCD180E30BA	Ov Motor	208-230/3/60	178,000	11.0	54	86	123	CK/001	2410
TCD180E30CA	Econ/OvMtr	208-230/3/60	150,000	9.8	50	72	108	CK/001	2490
TCD180E30FA	TCI	208-230/3/60	178,000	11.0	54	86	123	CK/001	2371
TCD180E30GA	Econ/TCI	208-230/3/60	178,000	11.0	54	86	123	CK/001	2461
TCD180E400A	—	460/3/60	178,000	11.0	54	86	123	CK/001	2370
TCD180E40AA	Economizer	460/3/60	178,000	11.0	54	86	123	CK/001	2460
TCD180E40BA	Ov Motor	460/3/60	178,000	11.0	54	86	123	CK/001	2410
TCD180E40CA	Econ/OvMtr	460/3/60	178,000	11.0	54	86	123	CK/001	2490
TCD180E40FA	TCI	460/3/60	178,000	11.0	54	86	123	CK/001	2371
TCD180E40GA	Econ/TCI	460/3/60	178,000	11.0	54	86	123	CK/001	2461
TCD180EW00A	—	575/3/60	178,000	11.0	54	86	123	CK/001	2370
TCD180EW0AA	Economizer	575/3/60	178,000	11.0	54	86	123	CK/001	2460
TCD180EW0BA	Ov Motor	575/3/60	178,000	11.0	54	86	123	CK/001	2410
TCD180EW0CA	Econ/OvMtr	575/3/60	178,000	11.0	54	86	123	CK/001	2490
TCD180EW0FA	TCI	575/3/60	178,000	11.0	54	86	123	CK/001	2371
TCD180EW0GA	Econ/TCI	575/3/60	178,000	11.0	54	86	123	CK/001	2461

Features:

- ReliaTel™ controls
- Built in anti-short cycle, time-delay relay and minimum on time controls
- ICS compatibility with either factory or field installed Trane Communications Interface (TCI)
- Quick-adjust idler arm assembly for belt and motor sheave adjustment
- 2" throwaway filters
- Liquid line drier
- Operating charge of R-410A
- Short orifice refrigerant control
- Fork lift channels
- Trane-Tite-Top (T³) weather tight top and cabinet
- Trane 3-D® scroll compressors
- Low pressure switches
- Dedicated horizontal and downflow designs
- Single side access
- Single point power for electric heat
- Complete line of optional electric heaters
- Quick-access panels with handles
- Sloped sheet metal drain pan
- Internally enhanced coil tubing
- Low ambient cooling to 0° F standard
- Colored and numbered wiring
- UL listed and CSA certified
- **5 year compressor warranty**
- **Optional extended warranties**



15 Ton
TCH180E
TCD180E

**Horizontal and
Downflow
Packaged Cooling**

Horizontal Supplementary Heaters: Unit with heater is single circuit/single point.

Model Number	Power Supply	KW Rating	Nominal BTUH	No. of Stages	Used With	Mfg. Plant	Shipping Weight
AYHHTRN318A	208/240/60/3	13.5/18.0	46,100/61,400	1	TCH180E3	CK/001	28
AYHHTRP336A	208/240/60/3	27.0/36.0	92,200/122,900	2	TCH180E3	CK/001	31
AYHHTRP354A	208/240/60/3	40.5/54.0	138,200/184,300	2	TCH180E3	CK/001	38
AYHHTRN418A	460/60/3	18.0	61,400	1	TCH180E4	CK/001	28
AYHHTRP436A	460/60/3	36.0	122,900	2	TCH180E4	CK/001	31
AYHHTRP454A	460/60/3	54.0	184,300	2	TCH180E4	CK/001	38
AYHHTRNW18A	575/60/3	18.0	61,400	1	TCH180EW	CK/001	28
AYHHTRPW36A	575/60/3	36.0	122,900	2	TCH180EW	CK/001	31
AYHHTRPW54A	575/60/3	54.0	184,300	2	TCH180EW	CK/001	38

Downflow Supplementary Heaters: Unit with heater is single circuit/single point.

Model Number	Power Supply	KW Rating	Nominal BTUH	No. of Stages	Used With	Mfg. Plant	Shipping Weight
AYDHTRK318A	208/240/60/3	13.5/18.0	46,100/61,400	1	TCD180E3	CK/001	28
AYDHTRK336A	208/240/60/3	27.0/36.0	92,200/122,900	2	TCD180E3	CK/001	31
AYDHTRK354A	208/240/60/3	40.5/54.0	138,200/184,300	2	TCD180E3	CK/001	38
AYDHTRL418A	460/60/3	18.0	61,400	1	TCD180E4	CK/001	28
AYDHTRK436A	460/60/3	36.0	122,900	2	TCD180E4	CK/001	31
AYDHTRK454A	460/60/3	54.0	184,300	2	TCD180E4	CK/001	38
AYDHTRKW18A	575/60/3	18.0	61,400	1	TCD180EW	CK/001	28
AYDHTRMW36A	575/60/3	36.0	122,900	2	TCD180EW	CK/001	31
AYDHTRKW54A	575/60/3	54.0	184,300	2	TCD180EW	CK/001	38



15 Ton
TCH180E
TCD180E

Horizontal and
Downflow
Packaged Cooling

Accessories:

Model Number	Description	Used With	Mfg. Plant	Shipping Weight
BAYABRD002B	ReliaTel™ Options Module	See Note ⑦	CK/001	2
BAYCURB026B①⑥	Downflow Roof Curb	TCD180E	CK/001	205
BAYDMPR029C	0-25% Manual Outside Air Damper	TCD180E TCH180E	CK/001	32
BAYDMPR057A	Motorized Outside Air Damper	TCD180E TCH180E	CK/001	60
BAYECON089A	Downflow Economizer with Barometric Relief	TCD180E	CK/001	115
BAYECON091A	Horizontal Economizer	TCH180E	CK/001	150
BAYGARD044B	Tool-less Condenser Coil Hail Guard	TC*180E	CK/001	50
BAYSTAT023	Remote Potentiometer	BAYECON089A,091A, BAYDMPR057A	CK/001	1
BAYPWRX029A	Power Exhaust for use with Downflow Economizer/230v	TCD180E3	CK/001	110
BAYPWRX030A	Power Exhaust for use with Downflow Economizer/460v	TCD180E4	CK/001	110
BAYPWRX031A	Power Exhaust for use with Downflow Economizer/575v	TCD180EW	CK/001	110
BAYHSMT039B⑤	5 HP Oversize Motor Kit	TCD180E TCH180E	CK/001	95
BAYHSMT040B⑤	5 HP Oversize Motor Kit	TCH/D180EW	CK/001	75
BAYHSDR005B⑤	High Static Drive	TCH/D180E	CK/001	15
BAYSERV001A	Selective Resistance Service Tester	TCD180E TCH180E	CK/001	2
BAYSENS016A	Temperature Sensor	TCD180E TCH180E	CK/001	1
BAYFRST003A③	High Temperature Stat	TCD180E TCH180E	CK/001	1
BAYENTH007A②	Reference Enthalpy Kit	BAYECON089A BAYECON091A	CK/001	1
BAYENTH008A②	Comparative Enthalpy Kit	BAYECON089A BAYECON091A	CK/001	1
BAYDFPS005A③	Clogged Filter Switch	TCD180E TCH180E	CK/001	1
BAYDFPS006A③	Fan Failure Switch	BAYECON089A,091A BAYDMPR057A	CK/001	1
BAYLOAM023A	Evaporator Defrost Control (Frostat)	TC*180E w/ReliaTel Options Module	CK/001	3
BAYTUBE008A④	Discharge Air Sensing Kit	TCD180E	CK/001	1
BAYTUBE009A④	Discharge Air Sensing Kit	TCH180E	CK/001	1
BAYVNOR002B	Ventilation Override Kit	TC*180E w/ReliaTel Options Module	CK/001	2

① For downflow use only. Cannot be adapted for horizontal units.

② Kits contain all necessary parts to achieve desired level of enthalpy control.

③ Must be used with either field or factory installed TCI (Trane Communications Interface).

④ Used for true discharge air sensing in both heating and cooling models. Functional only with ReliaTel Options Module (BAYABRD002B/FIYABRD002B).

⑤ High static drive and oversize motors are mutually exclusive. Do not combine.

⑥ Clarksville Manufacturing has a no-return policy for this roof curb.

⑦ BAYABRD002B is required when ordering field installed accessories Clogged Filter Switch (BAYDFPS005A), Fan Fail Switch (BAYDFPS006A), Discharge Air Sensing Kit (BAYTUBE008A or BAYTUBE009A), Frostat (BAYLOAM023A), Ventilation Override (BAYVNOR002B).

⑧ Functional only with ReliaTel Options Module (BAYABRD002B/FIYABRD002B).



17-1/2 Ton TCH210E TCD210E

Horizontal and Downflow Packaged Cooling

Specifications: Horizontal

Model Number	Factory Installed Option	Power Supply	Capacity Cooling		Uncrated Dimensions (in.)			Mfg. Plant	Shipping Weight
			(BTUH)	EER	H	W	L		
TCH210E300A	—	208-230/3/60	198,000	11.0	54	86	123	CK/001	2375
TCH210E30BA	Ov Motor	208-230/3/60	198,000	11.0	54	86	123	CK/001	2415
TCH210E30FA	TCI	208-230/3/60	198,000	11.0	54	86	123	CK/001	2376
TCH210E400A	—	460/3/60	198,000	11.0	54	86	123	CK/001	2375
TCH210E40BA	Ov Motor	460/3/60	198,000	11.0	54	86	123	CK/001	2415
TCH210E40FA	TCI	460/3/60	198,000	11.0	54	86	123	CK/001	2376
TCH210EW00A	—	575/3/60	198,000	11.0	54	86	123	CK/001	2375
TCH210EW0BA	Ov Motor	575/3/60	198,000	11.0	54	86	123	CK/001	2415
TCH210EW0FA	TCI	575/3/60	198,000	11.0	54	86	123	CK/001	2376

Specifications: Downflow

Model Number	Factory Installed Option	Power Supply	Capacity Cooling		Uncrated Dimensions (in.)			Mfg. Plant	Shipping Weight
			(BTUH)	EER	H	W	L		
TCD210E300A	—	208-230/3/60	198,000	11.0	54	86	123	CK/001	2375
TCD210E30AA	Economizer	208-230/3/60	198,000	11.0	54	86	123	CK/001	2465
TCD210E30BA	Ov Motor	208-230/3/60	198,000	11.0	54	86	123	CK/001	2415
TCD210E30CA	Econ/OvMtr	208-230/3/60	198,000	11.0	54	86	123	CK/001	2495
TCD210E30FA	TCI	208-230/3/60	198,000	11.0	54	86	123	CK/001	2376
TCD210E30GA	Econ/TCI	208-230/3/60	198,000	11.0	54	86	123	CK/001	2466
TCD210E400A	—	460/3/60	198,000	11.0	54	86	123	CK/001	2375
TCD210E40AA	Economizer	460/3/60	198,000	11.0	54	86	123	CK/001	2465
TCD210E40BA	Ov Motor	460/3/60	198,000	11.0	54	86	123	CK/001	2415
TCD210E40CA	Econ/OvMtr	460/3/60	198,000	11.0	54	86	123	CK/001	2495
TCD210E40FA	TCI	460/3/60	198,000	11.0	54	86	123	CK/001	2376
TCD210E40GA	Econ/TCI	460/3/60	198,000	11.0	54	86	123	CK/001	2466
TCD210EW00A	—	575/3/60	198,000	11.0	54	86	123	CK/001	2375
TCD210EW0AA	Economizer	575/3/60	198,000	11.0	54	86	123	CK/001	2465
TCD210EW0BA	Ov Motor	575/3/60	198,000	11.0	54	86	123	CK/001	2415
TCD210EW0CA	Econ/OvMtr	575/3/60	198,000	11.0	54	86	123	CK/001	2495
TCD210EW0FA	TCI	575/3/60	198,000	11.0	54	86	123	CK/001	2376
TCD210EW0GA	Econ/TCI	575/3/60	198,000	11.0	54	86	123	CK/001	2466

Features:

- ReliaTel™ controls
- Built in anti-short cycle, time-delay relay and minimum on time controls
- ICS compatibility with either factory or field installed Trane Communications Interface (TCI)
- Quick-adjust idler arm assembly for belt and motor sheave adjustment
- 2" throwaway filters
- Liquid line drier
- Operating charge of R-410A
- Short orifice refrigerant control
- Fork lift channels
- Trane-Tite-Top (T³) weather tight top and cabinet
- Trane 3-D® scroll compressors
- Low pressure switches
- Dedicated horizontal and downflow designs
- Single side access
- Single point power for electric heat
- Complete line of optional electric heaters
- Quick-access panels with handles
- Sloped sheet metal drain pan
- Internally enhanced coil tubing
- Low ambient cooling to 0° F standard
- Colored and numbered wiring
- UL listed and CSA certified
- **5 year compressor warranty**
- **Optional extended warranties**



17-1/2 Ton
TCH210E
TCD210E

**Horizontal and
Downflow
Packaged Cooling**

Horizontal Supplementary Heaters: Unit with heater is single circuit/single point.

Model Number	Power Supply	KW Rating	Nominal BTUH	No. of Stages	Used With	Mfg. Plant	Shipping Weight
AYHHTRQ336A	208/240/60/3	27.0/36.0	92,200/122,900	1	TCH210E3	CK/001	33
AYHHTRQ354A	208/240/60/3	40.5/54.0	138,200/184,300	2	TCH210E3	CK/001	40
AYHHTRQ436A	460/60/3	36.0	122,900	2	TCH210E4	CK/001	31
AYHHTRQ454A	460/60/3	54.0	184,300	2	TCH210E4	CK/001	38
AYHHTRPW36A	575/60/3	36.0	122,900	2	TCH210EW	CK/001	31
AYHHTRQW54A	575/60/3	54.0	184,300	2	TCH210EW	CK/001	38

Downflow Supplementary Heaters: Unit with heater is single circuit/single point.

Model Number	Power Supply	KW Rating	Nominal BTUH	No. of Stages	Used With	Mfg. Plant	Shipping Weight
AYDHTRL336A	208/240/60/3	27.0/36.0	92,200/122,900	2	TCD210E3	CK/001	31
AYDHTRL354A	208/240/60/3	40.5/54.0	138,200/184,300	2	TCD210E3	CK/001	38
AYDHTRL436A	460/60/3	36.0	122,900	2	TCD210E4	CK/001	31
AYDHTRL454A	460/60/3	54.0	184,300	2	TCD210E4	CK/001	38
AYDHTRMW36A	460/60/3	36.0	122,900	2	TCD210EW	CK/001	31
AYDHTRLW54A	460/60/3	54.0	184,300	2	TCD210EW	CK/001	38



17-1/2 Ton
TCH210E
TCD210E

Horizontal and
Downflow
Packaged Cooling

Accessories:

Model Number	Description	Used With	Mfg. Plant	Shipping Weight
BAYABRD002B	ReliaTel™ Options Module	See Note ⑦	CK/001	2
BAYCURB026B①⑥	Downflow Roof Curb	TCD210E	CK/001	205
BAYDMPR029C	0-25% Manual Outside Air Damper	TCD210E TCH210E	CK/001	32
BAYDMPR057A	Motorized Outside Air Damper	TCD210E TCH210E	CK/001	60
BAYECON089A	Downflow Economizer with Barometric Relief	TCD210E	CK/001	112
BAYECON091A	Horizontal Economizer	TCH210E	CK/001	85
BAYGARD044B	Tool-less Condenser Coil Hail Guard	TC*210E	CK/001	50
BAYSTAT023	Remote Potentiometer	BAYECON089A,091A BAYDMPR057A	CK/001	1
BAYPWRX029A	Power Exhaust for use with Downflow Economizer/230v	TCD210E3	CK/001	95
BAYPWRX030A	Power Exhaust for use with Downflow Economizer/460v	TCD210E4	CK/001	95
BAYPWRX031A	Power Exhaust for use with Downflow Economizer/575v	TCD210EW	CK/001	95
BAYHSMT059A④	7½ HP Oversize Motor Kit	TCD210E3 TCH210E3	CK/001	110
BAYHSMT060A④	7½ HP Oversize Motor Kit	TCD/TCH210E4	CK/001	110
BAYHSMT061A④	7½ HP Oversize Motor Kit/575v	TCD/TCH210EW	CK/001	110
BAYLSDR004A④	Low Static Drive	TCD/TCH210E	CK/001	15
BAYSERV001A	Selective Resistance Service Tester	TCD210E TCH210E	CK/001	2
BAYSENS016A	Temperature Sensor	TCD210E TCH210E	CK/001	1
BAYFRST003A③	High Temperature Stat	TCD210E TCH210E	CK/001	1
BAYENTH007A②	Reference Enthalpy Kit	BAYECON089A,091A	CK/001	1
BAYENTH008A②	Comparative Enthalpy Kit	BAYECON089A,091A	CK/001	1
BAYDFPS005A⑤	Clogged Filter Switch	TCD210E TCH210E	CK/001	1
BAYDFPS006A⑤	Fan Failure Switch	BAYECON089A,091A BAYDMPR057A	CK/001	1
BAYLOAM023A	Evaporator Defrost Control (Frostat)	TC*210E w/ReliaTel Options Module	CK/001	3
BAYTUBE008A⑥	Discharge Air Sensing Kit	TCD210E	CK/001	1
BAYTUBE009A⑥	Discharge Air Sensing Kit	TCH210E	CK/001	1
BAYVNOR002B	Ventilation Override Kit	TC*210E w/ReliaTel Options Module	CK/001	2

① For downflow use only. Cannot be adapted for horizontal units.

② Kits contain all necessary parts to achieve desired level of enthalpy control.

③ Must be used with either field or factory installed TCI (Trane Communications Interface).

④ Low static drive and oversized motors are mutually exclusive. Do not combine.

⑤ Used for true discharge air sensing in both heating and cooling models. Functional only with ReliaTel Options Module (BAYABRD002B/FIYABRD002B).

⑥ Clarksville Manufacturing has a no-return policy for this roof curb.

⑦ BAYABRD002B is required when ordering field installed accessories Clogged Filter Switch (BAYDFPS005A), Fan Fail Switch (BAYDFPS006A), Discharge Air Sensing Kit (BAYTUBE008A or BAYTUBE009A), Frostat (BAYLOAM023A), Ventilation Override (BAYVNOR002B).

⑧ Functional only with ReliaTel Options Module (BAYABRD002B/FIYABRD002B).



20 Ton TCH240E TCD240E

Horizontal and Downflow Packaged Cooling

Specifications: Horizontal

Model Number	Factory Installed Option	Power Supply	Capacity Cooling (BTUH)	EER	Uncrated Dimensions (in.)			Mfg. Plant	Shipping Weight
					H	W	L		
TCH240E300A	—	208-230/3/60	240,000	10.2	54	86	123	CK/001	2450
TCH240E30BA	Ov Motor	208-230/3/60	240,000	10.2	54	86	123	CK/001	2490
TCH240E30FA	TCI	208-230/3/60	240,000	10.2	54	86	123	CK/001	2451
TCH240E400A	—	460/3/60	240,000	10.2	54	86	123	CK/001	2450
TCH240E40BA	Ov Motor	460/3/60	240,000	10.2	54	86	123	CK/001	2490
TCH240E40FA	TCI	460/3/60	240,000	10.2	54	86	123	CK/001	2451
TCH240EW00A	—	575/3/60	240,000	10.2	54	86	123	CK/001	2309
TCH240EW0BA	Ov Motor	575/3/60	240,000	10.2	54	86	123	CK/001	2490
TCH240EW0FA	TCI	575/3/60	240,000	10.2	54	86	123	CK/001	2451

Specifications: Downflow

Model Number	Factory Installed Option	Power Supply	Capacity Cooling (BTUH)	EER	Uncrated Dimensions (in.)			Mfg. Plant	Shipping Weight
					H	W	L		
TCD240E300A	—	208-230/3/60	240,000	10.2	54	86	123	CK/001	2450
TCD240E30AA	Economizer	208-230/3/60	240,000	10.2	54	86	123	CK/001	2540
TCD240E30BA	Ov Motor	208-230/3/60	240,000	10.2	54	86	123	CK/001	2490
TCD240E30CA	Econ/OvMtr	208-230/3/60	240,000	10.2	54	86	123	CK/001	2580
TCD240E30FA	TCI	208-230/3/60	240,000	10.2	54	86	123	CK/001	2451
TCD240E30GA	Econ/TCI	208-230/3/60	240,000	10.2	54	86	123	CK/001	2541
TCD240E400A	—	460/3/60	240,000	10.2	54	86	123	CK/001	2450
TCD240E40AA	Economizer	460/3/60	240,000	10.2	54	86	123	CK/001	2540
TCD240E40BA	Ov Motor	460/3/60	240,000	10.2	54	86	123	CK/001	2490
TCD240E40CA	Econ/OvMtr	460/3/60	240,000	10.2	54	86	123	CK/001	2580
TCD240E40FA	TCI	460/3/60	240,000	10.2	54	86	123	CK/001	2451
TCD240E40GA	Econ/TCI	460/3/60	240,000	10.2	54	86	123	CK/001	2541
TCD240EW00A	—	575/3/60	240,000	10.2	54	86	123	CK/001	2450
TCD240EW0AA	Economizer	575/3/60	240,000	10.2	54	86	123	CK/001	2540
TCD240EW0BA	Ov Motor	575/3/60	240,000	10.2	54	86	123	CK/001	2490
TCD240EW0CA	Econ/OvMtr	575/3/60	240,000	10.2	54	86	123	CK/001	2580
TCD240EW0FA	TCI	575/3/60	240,000	10.2	54	86	123	CK/001	2451
TCD240EW0GA	Econ/TCI	575/3/60	240,000	10.2	54	86	123	CK/001	2541

Features:

- ReliaTel™ controls
- Built in anti-short cycle, time-delay relay and minimum on time controls
- ICS compatibility with either factory or field installed Trane Communications Interface (TCI)
- Quick-adjust idler arm assembly for belt and motor sheave adjustment
- 2" throwaway filters
- Liquid line drier
- Operating charge of R-410A
- Short orifice refrigerant control
- Fork lift channels
- Trane-Tite-Top (T³) weather tight top and cabinet
- Trane 3-D® scroll compressors
- Low pressure switches
- Dedicated horizontal and downflow designs
- Single side access
- Single point power for electric heat
- Complete line of optional electric heaters
- Quick-access panels with handles
- Sloped sheet metal drain pan
- Internally enhanced coil tubing
- Low ambient cooling to 0° F standard
- Colored and numbered wiring
- UL listed and CSA certified
- **1 year compressor warranty**



12-1/2 — 25 Ton

**Packaged
Cooling**

Zone Sensors: (Micro Thermostats to be used with Micro Units)

Model Number	Description	Used with	Mfg. Plant	Shipping Weight
BAYSENS006B	Single Setpoint Manual Changeover	TC*150-300	CK/001	1
BAYSENS008B	Dual Setpoint Manual or Auto Changeover	TC*150-300	CK/001	1
BAYSENS010B	Dual Setpoint Man. or Auto Changeover with System Function Lights	TC*150-300	CK/001	1
BAYSENS019C	Programmable Night Setback w/System Function Lights	TC*150-300	CK/001	1
BAYSENS013C ^①	Room Sensor w/ Override Button	TC*150-300	CK/001	1
BAYSENS014C ^①	Room Sensor w/ Temp. Adjustment And Override	TC*150-300	CK/001	1
BAYSENS017B	Remote Room Sensor	BAYSENS006B, 008B, 010B & 019C	CK/001	1
BAYSENS032A ^③	Dual Thermistor Remote Zone Sensor	TC*150-300	CK/001	1
BAYSENS035A ^③	Digital Display Zone Sensor	TC*150-300	CK/001	1
BAYMTPL003B	Retrofit Wall Cover Plate Kit 7.25"x6.0"	BAYSENS019C	CK/001	1
BAYMTPL004B	Retrofit Wall Cover Plate Kit 4.75"x4.75"	BAYSENS006,008,010B, 017B & 013, 014C	CK/001	1
BAYSTAT050A	2Htg/2Clg Digital Display Programmable Thermostat	TC*150-300	CK/001	1
BAYSTAT052A	2Htg/2Clg Digital Display Programmable "TOUCHSCREEN" Thermostat	TC*150-300	CK/001	1
BAYSTAT053A	3Htg/2Clg Digital Display Programmable Thermostat with Relative Humidity Sensing Built-In	TC*150-300 (with Dehumidification Option)	CK/001	1
BAYSTAT055A	3Htg/2Clg Digital Display Thermostat	TC*150-300	CK/001	1
BAYSTAT059A	Return Air Remote Sensor	BAYSTAT050A, 052A,053A	CK/001	1
BAYSTAT060A	Wall Mounted Remote Sensor	BAYSTAT050A, 052A,053A	CK/001	1

^① Used with Integrated Comfort™ Systems, any unit type. These sensors do not work with TCM. Consult BASD Marketing for them.

^② See Accessory IOM for operational characteristics.

^③ Functional only with ReliaTel™ controls.

* Either horizontal or downflow models.

Controls:

Model Number	Description	Used with	Mfg. Plant	Shipping Weight
BAYCO2K002B	CO ₂ Sensor Kit, Wall Mounted	TC*150-300 w/Economizer	CK/001	3
BAYCO2K004B	CO ₂ Sensor Kit, Duct Mounted	TC*150-300 w/Economizer	CK/001	3.5
BAYICSI004B	Field Installed TCI (Trane Communication Interface)	TC*150-300	CK/001	1
BAYLTCI003B	LonTalk Interface	TC*150-300	CK/001	1



12-1/2 Ton
TCH151C
TCD151C
TFD151C

Horizontal and
Downflow
Packaged Cooling

High Efficiency

Specifications: Horizontal

Model Number	Factory Installed Option	Power Supply	Capacity Cooling (BTUH)	EER	Uncrated Dimensions (in.)			Mfg. Plant	Shipping Weight
					H	W	L		
TCH151C300C	—	208-230/3/60	154,000	11.3	50	72	108	CK/001	1776
TCH151C30BC	Ov Motor	208-230/3/60	154,000	11.3	50	72	108	CK/001	1851
TCH151C30FC	TCI	208-230/3/60	154,000	11.3	50	72	108	CK/001	1777
TCH151C400C	—	460/3/60	154,000	11.3	50	72	108	CK/001	1776
TCH151C40BC	Ov Motor	460/3/60	154,000	11.3	50	72	108	CK/001	1851
TCH151C40FC	TCI	460/3/60	154,000	11.3	50	72	108	CK/001	1777
TCH151CW00C	—	575/3/60	154,000	11.3	50	72	108	CK/001	1776
TCH151CW0BC	Ov Motor	575/3/60	154,000	11.3	50	72	108	CK/001	1851
TCH151CW0FC	TCI	575/3/60	154,000	11.3	50	72	108	CK/001	1777

Specifications: Downflow

Model Number	Factory Installed Option	Power Supply	Capacity Cooling (BTUH)	EER	Uncrated Dimensions (in.)			Mfg. Plant	Shipping Weight
					H	W	L		
TCD151C300B	—	208-230/3/60	154,000	11.3	50	72	108	CK/001	1762
TCD151C30AB	Economizer	208-230/3/60	154,000	11.3	50	72	108	CK/001	1877
TCD151C30BB	Ov Motor	208-230/3/60	154,000	11.3	50	72	108	CK/001	1837
TCD151C30CB	Econ/OvMtr	208-230/3/60	154,000	11.3	50	72	108	CK/001	1952
TCD151C30FB	TCI	208-230/3/60	154,000	11.3	50	72	108	CK/001	1763
TCD151C30GB	Econ/TCI	208-230/3/60	154,000	11.3	50	72	108	CK/001	1878
TCD151C30HB	TXV	208-230/3/60	154,000	11.3	50	72	108	CK/001	1762
TCD151C30JB	TXV/OvMtr	208-230/3/60	154,000	11.3	50	72	108	CK/001	1877
TCD151C30KB	TXV/OvMtr/Econ	208-230/3/60	154,000	11.3	50	72	108	CK/001	1837
TCD151C30LB	TXV/Econ	208-230/3/60	154,000	11.3	50	72	108	CK/001	1952
TFD151C30MB	Reheat Coil	208-230/3/60	154,000	11.3	50	72	108	CK/001	1881
TFD151C30NB	Econ/Reheat Coil	208-230/3/60	154,000	11.3	50	72	108	CK/001	2032
TFD151C30PB	Ov Mtr/Reheat Coil	208-230/3/60	154,000	11.3	50	72	108	CK/001	1992
TFD151C30RB	Econ/Ov Mtr/Reheat Coil	208-230/3/60	154,000	11.3	50	72	108	CK/001	2107
TCD151C400B	—	460/3/60	154,000	11.3	50	72	108	CK/001	1762
TCD151C40AB	Economizer	460/3/60	154,000	11.3	50	72	108	CK/001	1877
TCD151C40BB	Ov Motor	460/3/60	154,000	11.3	50	72	108	CK/001	1837
TCD151C40CB	Econ/OvMtr	460/3/60	154,000	11.3	50	72	108	CK/001	1952
TCD151C40FB	TCI	460/3/60	154,000	11.3	50	72	108	CK/001	1763
TCD151C40GB	Econ/TCI	460/3/60	154,000	11.3	50	72	108	CK/001	1878
TCD151C40HB	TXV	460/3/60	154,000	11.3	50	72	108	CK/001	1762
TCD151C40JB	TXV/OvMtr	460/3/60	154,000	11.3	50	72	108	CK/001	1877
TCD151C40KB	TXV/OvMtr/Econ	460/3/60	154,000	11.3	50	72	108	CK/001	1837
TCD151C40LB	TXV/Econ	460/3/60	154,000	11.3	50	72	108	CK/001	1952
TFD151C40MB	Reheat Coil	460/3/60	154,000	11.3	50	72	108	CK/001	1881
TFD151C40NB	Econ/Reheat Coil	460/3/60	154,000	11.3	50	72	108	CK/001	2032
TFD151C40PB	Ov Mtr/Reheat Coil	460/3/60	154,000	11.3	50	72	108	CK/001	1992
TFD151C40RB	Econ/Ov Mtr/Reheat Coil	460/3/60	154,000	11.3	50	72	108	CK/001	2107



12-1/2 Ton
TCH151C
TCD151C
TFD151C

**Horizontal and
Downflow
Packaged Cooling**

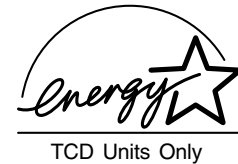
High Efficiency

Specifications: Downflow (Continued)

Model Number	Factory Installed Option	Power Supply	Capacity Cooling (BTUH)	EER	Uncrated Dimensions (in.)			Mfg. Plant	Shipping Weight
					H	W	L		
TCD151CW00B	—	575/3/60	154,000	11.3	50	72	108	CK/001	1762
TCD151CW00AB	Economizer	575/3/60	154,000	11.3	50	72	108	CK/001	1877
TCD151CW00BB	Ov Motor	575/3/60	154,000	11.3	50	72	108	CK/001	1837
TCD151CW00CB	Econ/OvMtr	575/3/60	154,000	11.3	50	72	108	CK/001	1952
TCD151CW00FB	TCI	575/3/60	154,000	11.3	50	72	108	CK/001	1763
TCD151CW00GB	Econ/TCI	575/3/60	154,000	11.3	50	72	108	CK/001	1878
TCD151CW00HB	TXV	575/3/60	154,000	11.3	50	72	108	CK/001	1762
TCD151CW00JB	TXV/OvMtr	575/3/60	154,000	11.3	50	72	108	CK/001	1877
TCD151CW00KB	TXV/OvMtr/Econ	575/3/60	154,000	11.3	50	72	108	CK/001	1837
TCD151CW00LB	TXV/Econ	575/3/60	154,000	11.3	50	72	108	CK/001	1952
TFD151CW00MB	Reheat Coil	575/3/60	154,000	11.3	50	72	108	CK/001	1881
TFD151CW00NB	Econ/Reheat Coil	575/3/60	154,000	11.3	50	72	108	CK/001	2032
TFD151CW00PB	Ov Mtr/Reheat Coil	575/3/60	154,000	11.3	50	72	108	CK/001	1992
TFD151CW00RB	Econ/Ov Mtr/Reheat Coil	575/3/60	154,000	11.3	50	72	108	CK/001	2107

Features

- ReliaTel™ controls
- Built in anti-short cycle, time-delay relay and minimum on time controls
- ICS compatibility with either factory or field installed Trane Communications Interface (TCI)
- Quick-adjust idler arm assembly for belt and motor sheave adjustment
- 2" throwaway filters
- Liquid line drier
- Operating charge of R-22
- Fork lift channels
- Trane-Tite-Top (T³) weather tight top and cabinet
- Short orifice refrigerant control
- High efficiency scroll compressors
- Low pressure switches
- Dedicated horizontal and downflow designs
- Single side access
- Single point power for electric heat
- Complete line of optional electric heaters
- Quick-access panels with handles
- Internally enhanced coil tubing
- Low ambient cooling to 0° F standard
- Sloped sheet metal drain pan
- Colored and numbered wiring
- UL listed and CSA certified
- **5 year compressor warranty**
- **Optional extended warranties**





12-1/2 Ton
TCH151C
TCD151C

**Horizontal and
Downflow
Packaged Cooling**

High Efficiency

Horizontal Supplementary Heaters: Unit with heater is single circuit/single point.

Model Number	Power Supply	KW Rating	Nominal BTUH	No. of Stages	Used With	Mfg. Plant	Shipping Weight
AYHHTRN318A	208/240/60/3	13.5/18.0	46,100/61,400	1	TCH151C3	CK/001	28
AYHHTRP336A	208/240/60/3	27.0/36.0	92,200/122,900	2	TCH151C3	CK/001	31
AYHHTRP354A	208/240/60/3	40.5/54.0	138,200/184,300	2	TCH151C3	CK/001	38
AYHHTRN418A	460/60/3	18.0	61,400	1	TCH151C4	CK/001	28
AYHHTRP436A	460/60/3	36.0	122,900	2	TCH151C4	CK/001	31
AYHHTRP454A	460/60/3	54.0	184,300	2	TCH151C4	CK/001	38
AYHHTRNW18A	575/60/3	18.0	61,400	1	TCH151CW	CK/001	28
AYHHTRPW36A	575/60/3	36.0	122,900	2	TCH151CW	CK/001	31
AYHHTRPW54A	575/60/3	54.0	184,300	2	TCH151CW	CK/001	38

Downflow Supplementary Heaters: Unit with heater is single circuit/single point.

Model Number	Power Supply	KW Rating	Nominal BTUH	No. of Stages	Used With	Mfg. Plant	Shipping Weight
AYDHTRK318A	208/240/60/3	13.5/18.0	46,100/61,400	1	TCD151C3	CK/001	28
AYDHTRK336A	208/240/60/3	27.0/36.0	92,200/122,900	2	TCD151C3	CK/001	31
AYDHTRK354A	208/240/60/3	40.5/54.0	138,200/184,300	2	TCD151C3	CK/001	38
AYDHTRL418A	460/60/3	18.0	61,400	1	TCD151C4	CK/001	28
AYDHTRK436A	460/60/3	36.0	122,900	2	TCD151C4	CK/001	31
AYDHTRK454A	460/60/3	54.0	184,300	2	TCD151C4	CK/001	38
AYDHTRKW18A	575/60/3	18.0	61,400	1	TCD151CW	CK/001	28
AYDHTRMW36A	575/60/3	36.0	122,900	2	TCD151CW	CK/001	31
AYDHTRKW54A	575/60/3	54.0	184,300	2	TCD151CW	CK/001	38



12-1/2 Ton
TCH151C
TCD151C

Horizontal and
Downflow
Packaged Cooling

High Efficiency

Accessories:

Model Number	Description	Used With	Mfg. Plant	Shipping Weight
Extended Warranties—(1 yr - 5 yr – See Extended Warranty Section)				
BAYABRD002B	ReliaTel™ Options Module	See Note ⑦	CK/001	2
BAYCURB026B①⑥	Downflow Roof Curb	TCD151C	CK/001	205
BAYDMPR029C	0-25% Manual Outside Air Damper	TCD151C TCH151C	CK/001	32
BAYDMPR057A	Motorized Outside Air Damper	TCD151C TCH151C	CK/001	60
BAYECON089A	Downflow Economizer with Barometric Relief	TCD151C	CK/001	115
BAYECON091A	Horizontal Economizer	TCH151C	CK/001	150
BAYGARD044B	Tool-less Condenser Coil Hail Guard	TC*151C	CK/001	50
BAYSTAT023	Remote Potentiometer	BAYECON089A,091A, BAYDMPR057A	CK/001	1
BAYPWRX029A	Power Exhaust for use with Downflow Economizer/ 230v	TCD151C3	CK/001	95
BAYPWRX030A	Power Exhaust for use with Downflow Economizer/ 460v	TCD151C4	CK/001	95
BAYPWRX031A	Power Exhaust for use with Downflow Economizer/ 575v	TCD151CW	CK/001	95
BAYHSMT039B④	5 HP Oversize Motor Kit	TCD151C TCH151C	CK/001	75
BAYHSMT040B④	5 HP Oversize Motor Kit	TCH/D151CW	CK/001	75
BAYHSDR002B④	High Static Drive	TCD151C TCH151C	CK/001	15
BAYSERV001A	Selective Resistance Service Tester	TCD151C TCH151C	CK/001	2
BAYSENS016A	Temperature Sensor	TCD151C TCH151C	CK/001	1
BAYFRST003A③	High Temperature Stat	TCD151C TCH151C	CK/001	1
BAYENTH007A②	Reference Enthalpy Kit	BAYECON090A BAYECON092A	CK/001	1
BAYENTH008A②	Comparative Enthalpy Kit	BAYECON090A BAYECON092A	CK/001	1
BAYDFPS005A⑧	Clogged Filter Switch	TCD151C TCH151C	CK/001	1
BAYDFPS006A⑧	Fan Failure Switch	BAYECON089A,091A BAYDMPR057A	CK/001	1
BAYLOAM023A	Evaporator Defrost Control (Frostat)	TC*151C w/ReliaTel Options Module	CK/001	3
BAYTUBE008A⑤	Discharge Air Sensing Kit	TCD151C	CK/001	1
BAYTUBE009A⑤	Discharge Air Sensing Kit	TCH151C	CK/001	1
BAYVNOR002B	Ventilation Override Kit	TC*151C w/ReliaTel Options Module	CK/001	2

① For downflow use only. Cannot be adapted for horizontal units.

② Kits contain all necessary parts to achieve desired level of enthalpy control.

③ Must be used with either field or factory installed TCI (Trane Communications Interface).

④ High static drive and oversized motors are mutually exclusive. Do not combine.

⑤ Used for true discharge air sensing in both heating and cooling models. Functional only with ReliaTel Options Module (BAYABRD002B/FIYABRD002B).

⑥ Clarksville Manufacturing has a no-return policy for this roof curb.

⑦ BAYABRD002B is required when ordering field installed accessories Clogged Filter Switch (BAYDFPS005A), Fan Fail Switch (BAYDFPS006A), Discharge Air Sensing Kit (BAYTUBE008A or BAYTUBE009A), Frostat (BAYLOAM023A), Ventilation Override (BAYVNOR002B).

⑧ Functional only with ReliaTel Options Module (BAYABRD002B/FIYABRD002B).



15 Ton
TCH181C
TCD181C
TFD181C

Horizontal and
Downflow
Packaged Cooling

High Efficiency

Specifications: Horizontal

Model Number	Factory Installed Option	Power Supply	Capacity Cooling (BTUH)	EER	Uncrated Dimensions (in.)			Mfg. Plant	Shipping Weight
					H	W	L		
TCH181C300C	—	208-230/3/60	189,000	11.50	54	86	123	CK/001	2309
TCH181C30BC	Ov Motor	208-230/3/60	189,000	11.50	54	86	123	CK/001	2384
TCH181C30FC	TCI	208-230/3/60	189,000	11.50	54	86	123	CK/001	2310
TCH181C400C	—	460/3/60	189,000	11.50	54	86	123	CK/001	2309
TCH181C40BC	Ov Motor	460/3/60	189,000	11.50	54	86	123	CK/001	2384
TCH181C40FC	TCI	460/3/60	189,000	11.50	54	86	123	CK/001	2310
TCH181CW00C	—	575/3/60	189,000	11.50	54	86	123	CK/001	2309
TCH181CW0BC	Ov Motor	575/3/60	189,000	11.50	54	86	123	CK/001	2384
TCH181CW0FC	TCI	575/3/60	189,000	11.50	54	86	123	CK/001	2310

Specifications: Downflow

Model Number	Factory Installed Option	Power Supply	Capacity Cooling (BTUH)	EER	Uncrated Dimensions (in.)			Mfg. Plant	Shipping Weight
					H	W	L		
TCD181C300C	—	208-230/3/60	189,000	11.50	54	86	123	CK/001	2309
TCD181C30AC	Economizer	208-230/3/60	189,000	11.50	54	86	123	CK/001	2444
TCD181C30BC	Ov Motor	208-230/3/60	189,000	11.50	54	86	123	CK/001	2384
TCD181C30CC	Econ/OvMtr	208-230/3/60	189,000	11.50	54	86	123	CK/001	2519
TCD181C30FC	TCI	208-230/3/60	189,000	11.50	54	86	123	CK/001	2310
TCD181C30GC	Econ/TCI	208-230/3/60	189,000	11.50	54	86	123	CK/001	2445
TCD181C30HC	TXV	208-230/3/60	189,000	11.50	54	86	123	CK/001	2309
TCD181C30JC	TXV/OvMtr	208-230/3/60	189,000	11.50	54	86	123	CK/001	2384
TCD181C30KC	TXV/OvMtr/Econ	208-230/3/60	189,000	11.50	54	86	123	CK/001	2519
TCD181C30LC	TXV/Econ	208-230/3/60	189,000	11.50	54	86	123	CK/001	2444
TFD181C30MC	Reheat Coil	208-230/3/60	189,000	11.50	54	86	123	CK/001	2464
TFD181C30NC	Econ/Reheat Coil	208-230/3/60	189,000	11.50	54	86	123	CK/001	2599
TFD181C30PC	Ov Mtr/Reheat Coil	208-230/3/60	189,000	11.50	54	86	123	CK/001	2539
TFD181C30RC	Econ/Ov Mtr/Reheat Coil	208-230/3/60	189,000	11.50	54	86	123	CK/001	2674
TCD181C400C	—	460/3/60	189,000	11.50	54	86	123	CK/001	2309
TCD181C40AC	Economizer	460/3/60	189,000	11.50	54	86	123	CK/001	2444
TCD181C40BC	Ov Motor	460/3/60	189,000	11.50	54	86	123	CK/001	2384
TCD181C40CC	Econ/OvMtr	460/3/60	189,000	11.50	54	86	123	CK/001	2519
TCD181C40FC	TCI	460/3/60	189,000	11.50	54	86	123	CK/001	2310
TCD181C40GC	Econ/TCI	460/3/60	189,000	11.50	54	86	123	CK/001	2445
TCD181C40HC	TXV	460/3/60	189,000	11.50	54	86	123	CK/001	2309
TCD181C40JC	TXV/OvMtr	460/3/60	189,000	11.50	54	86	123	CK/001	2384
TCD181C40KC	TXV/OvMtr/Econ	460/3/60	189,000	11.50	54	86	123	CK/001	2519
TCD181C40LC	TXV/Econ	460/3/60	189,000	11.50	54	86	123	CK/001	2444
TFD181C40MC	Reheat Coil	460/3/60	189,000	11.50	54	86	123	CK/001	2464
TFD181C40NC	Econ/Reheat Coil	460/3/60	189,000	11.50	54	86	123	CK/001	2599
TFD181C40PC	Ov Mtr/Reheat Coil	460/3/60	189,000	11.50	54	86	123	CK/001	2539
TFD181C40RC	Econ/Ov Mtr/Reheat Coil	460/3/60	189,000	11.50	54	86	123	CK/001	2674



15 Ton
TCH181C
TCD181C
TFD181C

**Horizontal and
Downflow
Packaged Cooling**

High Efficiency

Specifications: Downflow

Model Number	Factory Installed Option	Power Supply	Capacity Cooling (BTUH)	EER	Uncrated Dimensions (in.)			Mfg. Plant	Shipping Weight
					H	W	L		
TCD181CW00C	—	575/3/60	189,000	11.50	54	86	123	CK/001	2309
TCD181CW0AC	Economizer	575/3/60	189,000	11.50	54	86	123	CK/001	2444
TCD181CW0BC	Ov Motor	575/3/60	189,000	11.50	54	86	123	CK/001	2384
TCD181CW0CC	Econ/OvMtr	575/3/60	189,000	11.50	54	86	123	CK/001	2519
TCD181CW0FC	TCI	575/3/60	189,000	11.50	54	86	123	CK/001	2310
TCD181CW0GC	Econ/TCI	575/3/60	189,000	11.50	54	86	123	CK/001	2445
TCD181CW0HC	TXV	575/3/60	189,000	11.50	54	86	123	CK/001	2309
TCD181CW0JC	TXV/OvMtr	575/3/60	189,000	11.50	54	86	123	CK/001	2384
TCD181CW0KC	TXV/OvMtr/Econ	575/3/60	189,000	11.50	54	86	123	CK/001	2519
TCD181CW0LC	TXV/Econ	575/3/60	189,000	11.50	54	86	123	CK/001	2444
TFD181CW0MC	Reheat Coil	575/3/60	189,000	11.50	54	86	123	CK/001	2464
TFD181CW0NC	Econ/Reheat Coil	575/3/60	189,000	11.50	54	86	123	CK/001	2599
TFD181CW0PC	Ov Mtr/Reheat Coil	575/3/60	189,000	11.50	54	86	123	CK/001	2539
TFD181CW0RC	Econ/Ov Mtr/Reheat Coil	575/3/60	189,000	11.50	54	86	123	CK/001	2674

Features:

- ReliaTel™ controls
- Built in anti-short cycle, time-delay relay and minimum on time controls
- ICS compatibility with either factory or field installed Trane Communications Interface (TCI)
- Quick-adjust idler arm assembly for belt and motor sheave adjustment
- 2" throwaway filters
- Liquid line drier
- Operating charge of R-22
- Short orifice refrigerant control
- Fork lift channels
- Trane-Tite-Top (T³) weather tight top and cabinet
- Trane 3-D® scroll compressors
- Low pressure switches
- Dedicated horizontal and downflow designs
- Single side access
- Single point power for electric heat
- Complete line of optional electric heaters
- Quick-access panels with handles
- Sloped sheet metal drain pan
- Internally enhanced coil tubing
- Low ambient cooling to 0° F standard
- Colored and numbered wiring
- UL listed and CSA certified
- **5 year compressor warranty**
- **Optional extended warranties**



15 Ton
TCH181C
TCD181C

Horizontal and
Downflow
Packaged Cooling

High Efficiency

Horizontal Supplementary Heaters: Unit with heater is single circuit/single point.

Model Number	Power Supply	KW Rating	Nominal BTUH	No. of Stages	Used With	Mfg. Plant	Shipping Weight
AYHHTRM318A	208/240/60/3	13.5/18.0	46,100/61,400	1	TCH181C3	CK/001	28
AYHHTRM336A	208/240/60/3	27.0/36.0	92,200/122,900	1	TCH181C3	CK/001	31
AYHHTRM354A	208/240/60/3	40.5/54.0	138,200/184,300	2	TCH181C3	CK/001	38
AYHHTRM418A	460/60/3	18.0	61,400	1	TCH181C4	CK/001	28
AYHHTRM436A	460/60/3	36.0	122,900	2	TCH181C4	CK/001	31
AYHHTRM454A	460/60/3	54.0	184,300	2	TCH181C4	CK/001	38
AYHHTRMW18A	575/60/3	18.0	61,400	1	TCH181CW	CK/001	28
AYHHTRMW36A	575/60/3	36.0	122,900	2	TCH181CW	CK/001	31
AYHHTRMW54A	575/60/3	54.0	184,300	2	TCH181CW	CK/001	38

Downflow Supplementary Heaters: Unit with heater is single circuit/single point.

Model Number	Power Supply	KW Rating	Nominal BTUH	No. of Stages	Used With	Mfg. Plant	Shipping Weight
AYDHTRK318A	208/240/60/3	13.5/18.0	46,100/61,400	1	TCD181C3	CK/001	28
AYDHTRK336A	208/240/60/3	27.0/36.0	92,200/122,900	1	TCD181C3	CK/001	31
AYDHTRK354A	208/240/60/3	40.5/54.0	138,200/184,300	2	TCD181C3	CK/001	38
AYDHTRL418A	460/60/3	18.0	61,400	1	TCD181C4	CK/001	28
AYDHTRK427A	460/60/3	27.0	92,200	2	TCD181C4	CK/001	31
AYDHTRK436A	460/60/3	36.0	122,900	2	TCD181C4	CK/001	31
AYDHTRK454A	460/60/3	54.0	184,300	2	TCD181C4	CK/001	38
AYDHTRKW18A	575/60/3	18.0	61,400	1	TCD181CW	CK/001	28
AYDHTRMW36A	575/60/3	36.0	122,900	2	TCD181CW	CK/001	31
AYDHTRKW54A	575/60/3	54.0	184,300	2	TCD181CW	CK/001	38



17-1/2 Ton
TCH211C
TCD211C

**Horizontal and
Downflow
Packaged Cooling**

High Efficiency

Specifications: Horizontal

Model Number	Factory Installed Option	Power Supply	Capacity Cooling (BTUH)	EER	Uncrated Dimensions (in.)			Mfg. Plant	Shipping Weight
					H	W	L		
TCH211C300C	—	208-230/3/60	220,000	11.00	54	86	123	CK/001	2380
TCH211C30BC	Ov Motor	208-230/3/60	220,000	11.00	54	86	123	CK/001	2455
TCH211C30FC	TCI	208-230/3/60	220,000	11.00	54	86	123	CK/001	2381
TCH211C400C	—	460/3/60	220,000	11.00	54	86	123	CK/001	2380
TCH211C40BC	Ov Motor	460/3/60	220,000	11.00	54	86	123	CK/001	2455
TCH211C40FC	TCI	460/3/60	220,000	11.00	54	86	123	CK/001	2381
TCH211CW00C	—	575/3/60	220,000	11.00	54	86	123	CK/001	2380
TCH211CW0BC	Ov Motor	575/3/60	220,000	11.00	54	86	123	CK/001	2455
TCH211CW0FC	TCI	575/3/60	220,000	11.00	54	86	123	CK/001	2381

Specifications: Downflow

Model Number	Factory Installed Option	Power Supply	Capacity Cooling (BTUH)	EER	Uncrated Dimensions (in.)			Mfg. Plant	Shipping Weight
					H	W	L		
TCD211C300C	—	208-230/3/60	220,000	11.00	54	86	123	CK/001	2364
TCD211C30AC	Economizer	208-230/3/60	220,000	11.00	54	86	123	CK/001	2499
TCD211C30BC	Ov Motor	208-230/3/60	220,000	11.00	54	86	123	CK/001	2439
TCD211C30CC	Econ/OvMtr	208-230/3/60	220,000	11.00	54	86	123	CK/001	2574
TCD211C30FC	TCI	208-230/3/60	220,000	11.00	54	86	123	CK/001	2365
TCD211C30GC	Econ/TCI	208-230/3/60	220,000	11.00	54	86	123	CK/001	2500
TCD211C30HC	TXV	208-230/3/60	220,000	11.00	54	86	123	CK/001	2364
TCD211C30JC	Econ/OvMtr	208-230/3/60	220,000	11.00	54	86	123	CK/001	2499
TCD211C30KC	TXV/OvMtr/Econ	208-230/3/60	220,000	11.00	54	86	123	CK/001	2439
TCD211C30LC	TXV/Econ	208-230/3/60	220,000	11.00	54	86	123	CK/001	2574
TCD211C400C	—	460/3/60	220,000	11.00	54	86	123	CK/001	2364
TCD211C40AC	Economizer	460/3/60	220,000	11.00	54	86	123	CK/001	2499
TCD211C40BC	Ov Motor	460/3/60	220,000	11.00	54	86	123	CK/001	2439
TCD211C40CC	Econ/OvMtr	460/3/60	220,000	11.00	54	86	123	CK/001	2574
TCD211C40FC	TCI	460/3/60	220,000	11.00	54	86	123	CK/001	2365
TCD211C40GC	Econ/TCI	460/3/60	220,000	11.00	54	86	123	CK/001	2500
TCD211C40HC	TXV	460/3/60	220,000	11.00	54	86	123	CK/001	2364
TCD211C40JC	Econ/OvMtr	460/3/60	220,000	11.00	54	86	123	CK/001	2499
TCD211C40KC	TXV/OvMtr/Econ	460/3/60	220,000	11.00	54	86	123	CK/001	2439
TCD211C40LC	TXV/Econ	460/3/60	220,000	11.00	54	86	123	CK/001	2574
TCD211CW00C	—	575/3/60	220,000	11.00	54	86	123	CK/001	2364
TCD211CW0AC	Economizer	575/3/60	220,000	11.00	54	86	123	CK/001	2499
TCD211CW0BC	Ov Motor	575/3/60	220,000	11.00	54	86	123	CK/001	2439
TCD211CW0CC	Econ/OvMtr	575/3/60	220,000	11.00	54	86	123	CK/001	2574
TCD211CW0FC	TCI	575/3/60	220,000	11.00	54	86	123	CK/001	2365
TCD211CW0GC	Econ/TCI	575/3/60	220,000	11.00	54	86	123	CK/001	2500



17-1/2 Ton
TCH211C
TCD211C

**Horizontal and
Downflow
Packaged Cooling**

High Efficiency

Specifications: Downflow (Continued)

Model Number	Factory Installed Option	Power Supply	Capacity Cooling		Uncrated Dimensions (in.)			Mfg. Plant	Shipping Weight
			(BTUH)	EER	H	W	L		
TCD211CW0HC	TXV	575/3/60	220,000	11.00	54	86	123	CK/001	2364
TCD211CW0JC	TXV/OvMtr	575/3/60	220,000	11.00	54	86	123	CK/001	2499
TCD211CW0KC	TXV/OvMtr/Econ	575/3/60	220,000	11.00	54	86	123	CK/001	2439
TCD211CW0LC	TXV/Econ	575/3/60	220,000	11.00	54	86	123	CK/001	2574

Features:

- ReliaTel™ controls
- Built in anti-short cycle, time-delay relay and minimum on time controls
- ICS compatibility with either factory or field installed Trane Communications Interface (TCI)
- Quick-adjust idler arm assembly for belt and motor sheave adjustment
- 2" throwaway filters
- Short orifice refrigerant control
- Liquid line drier
- Operating charge of R-22
- Fork lift channels
- Trane-Tite-Top (T³) weather tight top and cabinet
- Trane 3-D® scroll compressors
- Low pressure switches
- Dedicated horizontal and downflow designs
- Single side access
- Single point power for electric heat
- Complete line of optional electric heaters
- Quick-access panels with handles
- Sloped sheet metal drain pan
- Internally enhanced coil tubing
- Low ambient cooling to 0° F standard
- Colored and numbered wiring
- UL listed and CSA certified
- **5 year compressor warranty**



20 Ton
TCH241C
TCD241C
TFD241C

Horizontal and
Downflow
Packaged Cooling

High Efficiency

Specifications: Horizontal

Model Number	Factory Installed Option	Power Supply	Capacity Cooling (BTUH)	EER	Uncrated Dimensions (in.)			Mfg. Plant	Shipping Weight
					H	W	L		
TCH241C300C	—	208-230/3/60	268,000	10.6	54	86	123	CK/001	2470
TCH241C30BC	Ov Motor	208-230/3/60	268,000	10.6	54	86	123	CK/001	2445
TCH241C30FC	TCI	208-230/3/60	268,000	10.6	54	86	123	CK/001	2471
TCH241C400C	—	460/3/60	268,000	10.6	54	86	123	CK/001	2470
TCH241C40BC	Ov Motor	460/3/60	268,000	10.6	54	86	123	CK/001	2445
TCH241C40FC	TCI	460/3/60	268,000	10.6	54	86	123	CK/001	2471
TCH241CW00C	—	575/3/60	268,000	10.6	54	86	123	CK/001	2470
TCH241CW0BC	Ov Motor	575/3/60	268,000	10.6	54	86	123	CK/001	2445
TCH241CW0FC	TCI	575/3/60	268,000	10.6	54	86	123	CK/001	2471

Specifications: Downflow

Model Number	Factory Installed Option	Power Supply	Capacity Cooling (BTUH)	EER	Uncrated Dimensions (in.)			Mfg. Plant	Shipping Weight
					H	W	L		
TCD241C300C	—	208-230/3/60	268,000	10.6	54	86	123	CK/001	2454
TCD241C30AC	Economizer	208-230/3/60	268,000	10.6	54	86	123	CK/001	2589
TCD241C30BC	Ov Motor	208-230/3/60	268,000	10.6	54	86	123	CK/001	2529
TCD241C30CC	Econ/OvMtr	208-230/3/60	268,000	10.6	54	86	123	CK/001	2664
TCD241C30FC	TCI	208-230/3/60	268,000	10.6	54	86	123	CK/001	2455
TCD241C30GC	Econ/TCI	208-230/3/60	268,000	10.6	54	86	123	CK/001	2590
TCD241C30HC	TXV	208-230/3/60	268,000	10.6	54	86	123	CK/001	2454
TCD241C30JC	TXV/OvMtr	208-230/3/60	268,000	10.6	54	86	123	CK/001	2529
TCD241C30KC	TXV/OvMtr/Econ	208-230/3/60	268,000	10.6	54	86	123	CK/001	2664
TCD241C30LC	TXV/Econ	208-230/3/60	268,000	10.6	54	86	123	CK/001	2589
TFD241C30MC	Reheat Coil	208-230/3/60	268,000	10.6	54	86	123	CK/001	2609
TFD241C30NC	Econ/Reheat Coil	208-230/3/60	268,000	10.6	54	86	123	CK/001	2744
TFD241C30PC	Ov Mtr/Reheat Coil	208-230/3/60	268,000	10.6	54	86	123	CK/001	2684
TFD241C30RC	Econ/Ov Mtr/Reheat Coil	208-230/3/60	268,000	10.6	54	86	123	CK/001	2819
TCD241C400C	—	460/3/60	268,000	10.6	54	86	123	CK/001	2454
TCD241C40AC	Economizer	460/3/60	268,000	10.6	54	86	123	CK/001	2589
TCD241C40BC	Ov Motor	460/3/60	268,000	10.6	54	86	123	CK/001	2529
TCD241C40CC	Econ/OvMtr	460/3/60	268,000	10.6	54	86	123	CK/001	2664
TCD241C40FC	TCI	460/3/60	268,000	10.6	54	86	123	CK/001	2455
TCD241C40GC	Econ/TCI	460/3/60	268,000	10.6	54	86	123	CK/001	2590
TCD241C40HC	TXV	460/3/60	268,000	10.6	54	86	123	CK/001	2454
TCD241C40JC	TXV/OvMtr	460/3/60	268,000	10.6	54	86	123	CK/001	2529
TCD241C40KC	TXV/OvMtr/Econ	460/3/60	268,000	10.6	54	86	123	CK/001	2664
TCD241C40LC	TXV/Econ	460/3/60	268,000	10.6	54	86	123	CK/001	2589
TFD241C40MC	Reheat Coil	460/3/60	268,000	10.6	54	86	123	CK/001	2609
TFD241C40NC	Econ/Reheat Coil	460/3/60	268,000	10.6	54	86	123	CK/001	2744
TFD241C40PC	Ov Mtr/Reheat Coil	460/3/60	268,000	10.6	54	86	123	CK/001	2684
TFD241C40RC	Econ/Ov Mtr/Reheat Coil	460/3/60	268,000	10.6	54	86	123	CK/001	2819



20 Ton
TCH241C
TCD241C
TFD241C

**Horizontal and
Downflow
Packaged Cooling**

Specifications: Downflow

Model Number	Factory Installed Option	Power Supply	Capacity Cooling (BTUH)	EER	Uncrated Dimensions (in.)			Mfg. Plant	Shipping Weight
					H	W	L		
TCD241CW00C	—	575/3/60	268,000	10.6	54	86	123	CK/001	2454
TCD241CW0AC	Economizer	575/3/60	268,000	10.6	54	86	123	CK/001	2589
TCD241CW0BC	Ov Motor	575/3/60	268,000	10.6	54	86	123	CK/001	2529
TCD241CW0CC	Econ/OvMtr	575/3/60	268,000	10.6	54	86	123	CK/001	2664
TCD241CW0FC	TCI	575/3/60	268,000	10.6	54	86	123	CK/001	2455
TCD241CW0GC	Econ/TCI	575/3/60	268,000	10.6	54	86	123	CK/001	2590
TCD241CW0HC	TXV	575/3/60	268,000	10.6	54	86	123	CK/001	2454
TCD241CW0JC	TXV/OvMtr	575/3/60	268,000	10.6	54	86	123	CK/001	2529
TCD241CW0KC	TXV/OvMtr/Econ	575/3/60	268,000	10.6	54	86	123	CK/001	2664
TCD241CW0LC	TXV/Econ	575/3/60	268,000	10.6	54	86	123	CK/001	2589
TFD241CW0MC	Reheat Coil	575/3/60	268,000	10.6	54	86	123	CK/001	2609
TFD241CW0NC	Econ/Reheat Coil	575/3/60	268,000	10.6	54	86	123	CK/001	2744
TFD241CW0PC	Ov Mtr/Reheat Coil	575/3/60	268,000	10.6	54	86	123	CK/001	2684
TFD241CW0RC	Econ/Ov Mtr/Reheat Coil	575/3/60	268,000	10.6	54	86	123	CK/001	2819

Features:

- ReliaTel™ controls
- Built in anti-short cycle, time-delay relay and minimum on time controls
- ICS compatibility with either factory or field installed Trane Communications Interface (TCI)
- Quick-adjust idler arm assembly for belt and motor sheave adjustment
- 2" throwaway filters
- Liquid line drier
- Operating charge of R-22
- Short orifice refrigerant control
- Fork lift channels
- Trane-Tite-Top (T³) weather tight top and cabinet
- Trane 3-D® scroll compressors
- Low pressure switches
- Dedicated horizontal and downflow designs
- Single side access
- Single point power for electric heat
- Complete line of optional electric heaters
- Quick-access panels with handles
- Sloped sheet metal drain pan
- Internally enhanced coil tubing
- Low ambient cooling to 0° F standard
- Colored and numbered wiring
- UL listed and CSA certified
- **1 year compressor warranty**
- **Optional extended warranties**



25 Ton TCH301C TCD301C

Horizontal and Downflow Packaged Cooling

High Efficiency

Specifications: Horizontal

Model Number	Factory Installed Option	Power Supply	Capacity Cooling		Uncrated Dimensions (in.)			Mfg. Plant	Shipping Weight
			(BTUH)	EER	H	W	L		
TCH301C300C	—	208-230/3/60	300,000	10.4	54	86	123	CK/001	2476
TCH301C30FC	TCI	208-230/3/60	300,000	10.4	54	86	123	CK/001	2477
TCH301C400C	—	460/3/60	300,000	10.4	54	86	123	CK/001	2476
TCH301C40FC	TCI	460/3/60	300,000	10.4	54	86	123	CK/001	2477
TCH301CW00C	—	575/3/60	300,000	10.4	54	86	123	CK/001	2476
TCH301CW0FC	TCI	575/3/60	300,000	10.4	54	86	123	CK/001	2477

Specifications: Downflow

Model Number	Factory Installed Option	Power Supply	Capacity Cooling		Uncrated Dimensions (in.)			Mfg. Plant	Shipping Weight
			(BTUH)	EER	H	W	L		
TCD301C300C	—	208-230/3/60	300,000	10.4	54	86	123	CK/001	2460
TCD301C30AC	Economizer	208-230/3/60	300,000	10.4	54	86	123	CK/001	2595
TCD301C30FC	TCI	208-230/3/60	300,000	10.4	54	86	123	CK/001	2461
TCD301C30GC	Econ/TCI	208-230/3/60	300,000	10.4	54	86	123	CK/001	2596
TCD301C30HC	TXV	208-230/3/60	300,000	10.4	54	86	123	CK/001	2460
TCD301C30LC	TXV/Econ	208-230/3/60	300,000	10.4	54	86	123	CK/001	2595
TCD301C400C	—	460/3/60	300,000	10.4	54	86	123	CK/001	2460
TCD301C40AC	Economizer	460/3/60	300,000	10.4	54	86	123	CK/001	2595
TCD301C40FC	TCI	460/3/60	300,000	10.4	54	86	123	CK/001	2461
TCD301C40GC	Econ/TCI	460/3/60	300,000	10.4	54	86	123	CK/001	2596
TCD301C40HC	TXV	460/3/60	300,000	10.4	54	86	123	CK/001	2460
TCD301C40LC	TXV/Econ	460/3/60	300,000	10.4	54	86	123	CK/001	2595
TCD301CW00C	—	575/3/60	300,000	10.4	54	86	123	CK/001	2460
TCD301CW0AC	Economizer	575/3/60	300,000	10.4	54	86	123	CK/001	2595
TCD301CW0FC	TCI	575/3/60	300,000	10.4	54	86	123	CK/001	2461
TCD301CW0GC	Econ/TCI	575/3/60	300,000	10.4	54	86	123	CK/001	2596
TCD301CW0HC	TXV	575/3/60	300,000	10.4	54	86	123	CK/001	2460
TCD301CW0LC	TXV/Econ	575/3/60	300,000	10.4	54	86	123	CK/001	2595

Features:

- ReliaTel™ controls
- Built in anti-short cycle, time-delay relay and minimum on time controls
- ICS compatibility with either factory or field installed Trane Communications Interface (TCI)
- Quick-adjust idler arm assembly for belt and motor sheave adjustment
- 2" throwaway filters
- Liquid line drier
- Operating charge of R-22

- Short orifice refrigerant control
- Fork lift channels
- Trane-Tite-Top (T³) weather tight top and cabinet
- Trane 3-D® scroll compressors
- Low pressure switches
- Dedicated horizontal and downflow designs
- Single side access
- Single point power for electric heat
- Complete line of optional electric heaters

- Quick-access panels with handles
- Sloped sheet metal drain pan
- Internally enhanced coil tubing
- Low ambient cooling to 0° F standard
- Colored and numbered wiring
- UL listed and CSA certified
- **1 year compressor warranty**
- **Optional extended warranties**



17-1/2 — 25 Ton
TCH211 - 301C
TCD211 - 301C

**Horizontal and
Downflow
Packaged Cooling**

High Efficiency

Horizontal Supplementary Heaters: Unit with heater is single circuit/single point.

Model Number	Power Supply	KW Rating	Nominal BTUH	No. of Stages	Used With	Mfg. Plant	Shipping Weight
AYHHTRN336A	208/240/60/3	27.0/36.0	92,200/122,900	2	TCH211-301C3	CK/001	33
AYHHTRN354A	208/240/60/3	40.5/54.0	138,200/184,300	2	TCH211-301C3	CK/001	40
AYHHTRN372A	208/240/60/3	54.0/72.0	184,300/245,700	2	TCH211-301C3	CK/001	43
AYHHTRN436A	460/60/3	36.0	122,900	2	TCH211-301C4	CK/001	33
AYHHTRN454A	460/60/3	54.0	184,300	2	TCH211-301C4	CK/001	40
AYHHTRN472A	460/60/3	72.0	245,700	2	TCH211-301C4	CK/001	43
AYHHTRMW36A	575/60/3	36.0	122,900	2	TCH211-301CW	CK/001	33
AYHHTRNW54A	575/60/3	54.0	184,300	2	TCH211-301CW	CK/001	40
AYHHTRNW72A	575/60/3	72.0	245,700	2	TCH211-301CW	CK/001	43

Downflow Supplementary Heaters: Unit with heater is single circuit/single point.

Model Number	Power Supply	KW Rating	Nominal BTUH	No. of Stages	Used With	Mfg. Plant	Shipping Weight
AYDHTRL336A	208/240/60/3	27.0/36.0	92,200/122,900	2	TCD211-301C3	CK/001	33
AYDHTRL354A	208/240/60/3	40.5/54.0	138,200/184,300	2	TCD211-301C3	CK/001	40
AYDHTRK372A	208/240/60/3	54.0/72.0	184,300/245,700	2	TCD211-301C3	CK/001	43
AYDHTRL427A	460/60/3	27.0	92,200	2	TCD211-301C4	CK/001	33
AYDHTRL436A	460/60/3	36.0	122,900	2	TCD211-301C4	CK/001	33
AYDHTRL454A	460/60/3	54.0	184,300	2	TCD211-301C4	CK/001	40
AYDHTRK472A	460/60/3	72.0	245,700	2	TCD211-301C4	CK/001	43
AYDHTRMW36A	575/60/3	36.0	122,900	2	TCD211-301CW	CK/001	33
AYDHTRLW54A	575/60/3	54.0	184,300	2	TCD211-301CW	CK/001	40
AYDHTRKW72A	575/60/3	72.0	245,700	2	TCD211-301CW	CK/001	43



15 — 25 Ton
TCH181 - 301C
TCD181 - 301C

Horizontal and
Downflow
Packaged Cooling

High Efficiency

Accessories:

Model Number	Description	Used With	Mfg. Plant	Shipping Weight
Extended Warranties – (1 yr - 5 yr – See Extended Warranty Section)				
BAYABRD002B	ReliaTel™ Options Module	See Note ⑦	CK/001	2
BAYCURB027B①⑥	Downflow Roof Curb	TCD181-301C	CK/001	235
BAYDMPR029C	0-25% Manual Outside Air Damper	TCD181-301C TCH181-301C	CK/001	32
BAYDMPR058A	Motorized Outside Air Damper	TCD181-301C TCH181-301C	CK/001	75
BAYECON090A	Downflow Economizer with Barometric Relief	TCD181-301C	CK/001	135
BAYECON092A	Horizontal Economizer	TCH181-301C	CK/001	110
BAYGARD045A	Tool-less Condenser Coil Hail Guard	TC*181-301C	CK/001	50/60
BAYSTAT023	Remote Potentiometer	BAYECON090A,092A, BAYDMPR058A	CK/001	1
BAYPWRX029A	Power Exhaust for use with Downflow Economizer/ 230v	TCD181-301C3	CK/001	95
BAYPWRX030A	Power Exhaust for use with Downflow Economizer/ 460v	TCD181-301C4	CK/001	95
BAYPWRX031A	Power Exhaust for use with Downflow Economizer/ 575v	TCD181-301CW	CK/001	95
BAYHSMT042A④	7½ HP Oversize Motor Kit	TCH/D211-241CW	CK/001	90
BAYHSMT055B④	5 HP Oversize Motor Kit	TCD/TCH181C	CK/001	90
BAYHSMT072A④	7½ HP Oversize Motor Kit	TCH/D181CW	CK/001	90
BAYHSMT098A④	7½ HP Oversize Motor Kit	TCD211-241C3 TCH211-241C3	CK/001	90
BAYHSMT099A④	7½ HP Oversize Motor Kit	TCD211-241C4 TCH211-241C4	CK/001	90
BAYHSDR005B④	High Static Drive	TCD/TCH211-241C	CK/001	15
BAYHSDR010A④	High Static Drive	TCD/TCH301C	CK/001	15
BAYLSDR002A	Low Static Drive	TCD/TCH301C	CK/001	10
BAYSERV001A	Selective Resistance Service Tester	TCD181-301C TCH181-301C	CK/001	2
BAYSENS016A	Temperature Sensor	BAYECON090A,092A	CK/001	1
BAYFRST003A③	High Temperature Stat	TCD181-301C/TCH181-301C	CK/001	1
BAYENTH007A②	Reference Enthalpy Kit	BAYECON090A,092A	CK/001	1
BAYENTH008A②	Comparative Enthalpy Kit	BAYECON090A,092A	CK/001	1
BAYDFPS005A⑥	Clogged Filter Switch	TCD181-301C/TCH181-301C	CK/001	1
BAYDFPS006A⑥	Fan Failure Switch	BAYECON090A,092A BAYDMPR058A	CK/001	1
BAYLOAM023A	Evaporator Defrost Control (Frostat)	TC*181-301C w/ReliaTel Options Module	CK/001	3
BAYTUBE008A⑤	Discharge Air Sensing Kit	TCD181-301C	CK/001	1
BAYTUBE009A⑤	Discharge Air Sensing Kit	TCH181-301C	CK/001	1
BAYVNOR002B	Ventilation Override Kit	TC*181-301C w/ReliaTel Options Module	CK/001	2

① For downflow use only. Cannot be adapted for horizontal units.

② Kits contain all necessary parts to achieve desired level of enthalpy control.

③ Must be used with either field or factory installed TCI (Trane Communications Interface).

④ High static drives and oversized motors are mutually exclusive. Do not combine.

⑤ Used for true discharge air sensing in both heating and cooling models. Functional only with ReliaTel Options Module (BAYABRD002B/FIYABRD002B).

⑥ Clarksville Manufacturing has a no-return policy for this roof curb.

⑦ BAYABRD002B is required when ordering field installed accessories Clogged Filter Switch (BAYDFPS005A), Fan Fail Switch (BAYDFPS006A), Discharge Air Sensing Kit (BAYTUBE008A or BAYTUBE009A), Frostat (BAYLOAM023A), Ventilation Override (BAYVNOR002B).

⑧ Functional only with ReliaTel Options Module (BAYABRD002B/FIYABRD002B).



It's Hard To Stop A Trane.®

12 1/2 — 25 Ton

**Packaged
Cooling**

High Efficiency

Zone Sensors: (Micro Thermostats to be used with Micro Units)

Model Number	Description	Used with	Mfg. Plant	Shipping Weight
BAYSENS006B	Single Setpoint Manual Changeover	TC*151-301	CK/001	1
BAYSENS008B	Dual Setpoint Manual or Auto Changeover	TC*151-301	CK/001	1
BAYSENS010B	Dual Setpoint Man. or Auto Changeover with System Function Lights	TC*151-301	CK/001	1
BAYSENS019C	Programmable Night Setback w/System Function Lights	TC*151-301	CK/001	1
BAYSENS013C ^①	Room Sensor w/ Override Button	TC*151-301	CK/001	1
BAYSENS014C ^①	Room Sensor w/ Temp. Adjustment And Override	TC*151-301	CK/001	1
BAYSENS017B	Remote Room Sensor	BAYSENS006B, 008B, 010B & 019C	CK/001	1
BAYSENS032A ^③	Dual Thermistor Remote Zone Sensor	TC*151-301	CK/001	1
BAYSENS035A ^③	Digital Display Zone Sensor	TC*151-301	CK/001	1
BAYMTPL003B	Retrofit Wall Cover Plate Kit 7.25"x6.0"	BAYSENS019C	CK/001	1
BAYMTPL004B	Retrofit Wall Cover Plate Kit 4.75"x4.75"	BAYSENS006,008,010B, 017B & 013,014C	CK/001	1
BAYCLCK001A ^②	Electronic Time Clock for up to 4 units	BAYSENS006B,008B, 010B	CK/001	1
BAYSTAT050A	2Htg/2Clg Digital Display Programmable Thermostat	TC*151-301	CK/001	1
BAYSTAT052A	2Htg/2Clg Digital Display Programmable "TOUCHSCREEN" Thermostat	TC*151-301	CK/001	1
BAYSTAT053A	3Htg/2Clg Digital Display Programmable Thermostat with Relative Humidity Sensing Built-In	TC*151-301 (with Dehumidification Option)	CK/001	1
BAYSTAT055A	3Htg/2Clg Digital Display Thermostat	TC*151-301	CK/001	1
BAYSTAT059A	Return Air Remote Sensor	BAYSTAT050A, 052A,053A	CK/001	1
BAYSTAT060A	Wall Mounted Remote Sensor	BAYSTAT050A, 052A,053A	CK/001	1

① Used with Integrated Comfort™ Systems, any unit type. These sensors do not work with TCM. Consult BASD Marketing for them.

② See Accessory IOM for operational characteristics.

③ Functional only with ReliaTel™ controls.

* Either horizontal or downflow models.

Controls:

Model Number	Description	Used with	Mfg. Plant	Shipping Weight
BAYCO2K002B	CO ₂ Sensor Kit, Wall Mounted	TC*151-301 w/Economizer	CK/001	3
BAYCO2K004B	CO ₂ Sensor Kit, Duct Mounted	TC*151-301 w/Economizer	CK/001	3.5
BAYICSI004B	Field Installed TCI (Trane Communication Interface)	TC*151-301	CK/001	1
BAYLTCI003B	LonTalk Interface	TC*151-301	CK/001	1

Model Nomenclature Packaged Units

P T E E 0 9 0 1 U A A A

**Packaged Terminal
Air Conditioner**

Product Type

E = Air Conditioner With Auxiliary Heat
H = Heat Pump

Development Sequence

E = Fifth Development Series

Unit Cooling Capacity

070 = 7,000 Btu
090 = 9,000 Btu
120 = 12,000 Btu
150 = 15,000 Btu

Main Power Supply

1 = 208-230/1/60
2 = 265/1/60
4 = 115/1/60 (Hydronic Only)

Electric Heat Capacity*

U = Universal Heater (Heater kW determined by power cord, see Accessories section)
W = Hydronic (Ships with no front cover and no electric heater)

Miscellaneous

A = Standard
C = Corrosion Resistant
D = Internal Condensate Pump

Minor Design Sequence

Service Digit

Specifications: PTEE — Packaged Terminal Air Conditioner

2006 Base Unit Model	Power Supply Volts/Phase/Hz	Cooling Capacity	EER	COP	Cabinet HxWxD	Shipping Weight
PTEE0701UAA	208-230/1/60	7,000	12.0	—	16 1/6 x 42 x 13 3/4	109
PTEE0701WAA	208-230/1/60	7,000	12.0	—	16 1/6 x 42 x 13 3/4	109
PTEE0702UAA	265/1/60	7,300	12.0	—	16 1/6 x 42 x 13 3/4	109
PTEE0702WAA	265/1/60	7,300	12.0	—	16 1/6 x 42 x 13 3/4	109
PTEE0704WAA	115/1/60	7,200	12.2	—	16 1/6 x 42 x 13 3/4	109
PTEE0901UAA	208-230/1/60	9,000	11.4	—	16 1/6 x 42 x 13 3/4	110
PTEE0901WAA	208-230/1/60	9,000	11.4	—	16 1/6 x 42 x 13 3/4	110
PTEE0902UAA	265/1/60	8,700	11.3	—	16 1/6 x 42 x 13 3/4	110
PTEE0902WAA	265/1/60	8,700	11.3	—	16 1/6 x 42 x 13 3/4	110
PTEE0904WAA	115/1/60	9,300	11.5	—	16 1/6 x 42 x 13 3/4	110
PTEE1201UAA	208-230/1/60	11,800	11.2	—	16 1/6 x 42 x 13 3/4	122
PTEE1201WAA	208-230/1/60	11,800	11.2	—	16 1/6 x 42 x 13 3/4	122
PTEE1202UAA	265/1/60	11,800	11.3	—	16 1/6 x 42 x 13 3/4	122
PTEE1202WAA	265/1/60	11,800	11.3	—	16 1/6 x 42 x 13 3/4	122
PTEE1204WAA	115/1/60	12,000	11.2	—	16 1/6 x 42 x 13 3/4	122
PTEE1501UAA	208-230/1/60	13,900	10.0	—	16 1/6 x 42 x 13 3/4	132
PTEE1501WAA	208-230/1/60	13,900	10.0	—	16 1/6 x 42 x 13 3/4	132
PTEE1502UAA	265/1/60	14,400	9.80	—	16 1/6 x 42 x 13 3/4	132
PTEE1502WAA	265/1/60	14,400	9.80	—	16 1/6 x 42 x 13 3/4	132

- ① All units require either a power cord or hard wire kit to power the unit
 ② The Hydronic chassis "W" ships with no electric heat and no plastic front cover
 ③ All 265volt Hydronic chassis "W" require subbase, fuses and socket.

Specifications: PTHE — Packaged Terminal Heat Pump with Electric Heat

2006 Base Unit Model	Power Supply Volts/Phase/Hz	Cooling Capacity	EER	COP	Cabinet HxWxD	Shipping Weight
PTHE0701UAA	208-230/1/60	7,400	12.0	3.2	16 1/6 x 42 x 13 3/4	115
PTHE0702UAA	265/1/60	7,200	12.0	3.2	16 1/6 x 42 x 13 3/4	115
PTHE0901UAA	208-230/1/60	9,100	11.4	3.2	16 1/6 x 42 x 13 3/4	117
PTHE0902UAA	265/1/60	8,700	10.8	3.0	16 1/6 x 42 x 13 3/4	117
PTHE1201UAA	208-230/1/60	12,000	11.2	3.1	16 1/6 x 42 x 13 3/4	127
PTHE1202UAA	265/1/60	11,700	11.0	3.2	16 1/6 x 42 x 13 3/4	127
PTHE1501UAA	208-230/1/60	13,600	9.90	2.9	16 1/6 x 42 x 13 3/4	138
PTHE1502UAA	265/1/60	13,600	9.90	2.9	16 1/6 x 42 x 13 3/4	138

Features:

- Exclusive patent pending Dehumidification Control provides up to 30% more moisture removal
- Flexible digital Interface provides wall or unit mounted control adjustment. Wall mounted Interface uses 2 unpolarized wires for connection
- Plug and Play display means on demand commissioning algorithm and automatic start-up delay
- The Universal Heater as a standard option means "Everything is stocked and ready to ship"
- Defrost Control - All units are equipped with heat pump control algorithm that prevents freezing of the condenser, while optimizing comfort



Packaged Terminal Air Conditioners And Heat Pumps

Options for Powering PTACS

208/230 V		
Option 1.	Required:	Universal Power Cord 15, 20 or 30 Amp BAYPCRD001 - BAYPCRD002 BAYPCRD003
	Optional:	Power Switch BAYPSW002
Option 2.	Required:	Universal Power Cord 15, 20 or 30 Amp BAYPCRD001 - BAYPCRD002 BAYPCRD003 Universal Subbase BAYSUB001 Socket for subbase 20 or 30 Amp BAYSCKT001 - BAYSCKT002
	Optional:	Circuit Breaker 15, 20 or 30 Amp BAYCBKR001 - BAYCBKR002 Power Switch BAYCBKR003 - BAYPSW002
Option 3.	Required:	Hard Wire Kit BAYHWRK001 Connector for Hardwire Kit for 15, 20 or 30 Amp BAYCNHK011 - BAYCNHK012 BAYCNHK013
	Optional:	Power Switch BAYPSW002
265 V		
Option 1.	Required:	Universal Power Cord 15, 20 or 30 Amp BAYPCRD004 - BAYPCRD005 BAYPCRD006 Universal Subbase BAYSUB001 Socket for subbase 20 or 30 Amp BAYSCKT003 - BAYSCKT004 Fuse 15, 20 or 30 Amp BAYFUSE001 - BAYFUSE002 BAYFUSE003
	Optional:	Power Switch BAYPSW002
Option 2.	Required:	Hard Wire Kit BAYHWRK001 Connector for Hardwire Kit for 15, 20 or 30 Amp BAYCNHK021 - BAYCNHK022 BAYCNHK023 Fuse 15, 20 or 30 Amp BAYFUSE001 - BAYFUSE002 BAYFUSE003
	Optional:	Power Switch BAYPSW002
115V		
Option 1.		Universal Power Cord 15 Amp BAYPCRD007

Accessories:

Order Number	Description
BAYAAGL001	Architectural Aluminum Grille
BAYAAGL002	Architectural Aluminum Grille - Dark Bronze
BAYAAGL003	Architectural Aluminum Grille - Soft Dove
BAYAAGL004 ^①	Architectural Aluminum Grille - Special Color
BAYSAG002	Stamped Aluminum Grille - 10 Pieces/Pack
BAYWSLV001 ^②	13" Wall Sleeve
BAYWSLV002 ^②	18" Wall Sleeve
BAYWSLV003 ^②	24" Wall Sleeve
BAYLVLG001 ^③	Leveling Leg
BAYDRAN001 ^④	Drain Kit
BAYPCRD001 ^⑤	Universal Power Cord 230 Volt - 15 Amp
BAYPCRD002 ^⑤	Universal Power Cord 230 Volt - 20 Amp
BAYPCRD003 ^⑤	Universal Power Cord 230 Volt - 30 Amp
BAYPCRD004 ^⑤	Universal Power Cord 265 Volt - 15 Amp
BAYPCRD005 ^⑤	Universal Power Cord 265 Volt - 20 Amp
BAYPCRD006 ^⑤	Universal Power Cord 265 Volt - 30 Amp
BAYPCRD007 ^⑤	Universal Power Cord 115 Volt - 15 Amp
BAYHWRK001 ^⑥	Hard Wire Kit
BAYCNHK011 ^⑦	Connector for Hardwire Kit 208/230V - 15 Amp
BAYCNHK012 ^⑦	Connector for Hardwire Kit 208/230V - 20 Amp
BAYCNHK013 ^⑦	Connector for Hardwire Kit 208/230V - 30 Amp
BAYCNHK021 ^⑦	Connector for Hardwire Kit 265V - 15 Amp
BAYCNHK022 ^⑦	Connector for Hardwire Kit 265V - 20 Amp
BAYCNHK023 ^⑦	Connector for Hardwire Kit 265V - 30 Amp
BAYPSW002 ^⑧	Power Switch -115V, 208/230V 265V
BAYSUB001 ^⑨	Universal Subbase
BAYSCKT001 ^⑩	Socket for Subbase 208/230 20AMP
BAYSCKT002 ^⑩	Socket for Subbase 208/230 30AMP
BAYSCKT003 ^⑩	Socket for Subbase 265 20AMP
BAYSCKT004 ^⑩	Socket for Subbase 265 30AMP
BAYCBKR001 ^⑪	Circuit Breaker - 208/230 15AMP
BAYCBKR002 ^⑪	Circuit Breaker 208/230 20AMP
BAYCBKR003 ^⑪	Circuit Breaker - 208/230 30AMP
BAYFLTR009 ^⑫	Spare Filters 10 Pack
BAYFUSE001	Fuse 15 AMP
BAYFUSE002	Fuse 20 AMP
BAYFUSE003	Fuse 30 AMP
BAYTRDM001 ^⑬	Display Module (Trane Logo Standard)
BAYTRDM002 ^⑬	Display Module (Trane Logo & Dehumidification)
BAYTCVR001 ^⑭	Escutcheon Cover for Front Panel (Trane Logo)
BAYPCVR001 ^⑮	Plastic Front Cover for PTAC

① Contact TNDC- St Louis on special color grille.

② To be ordered for all installations except where existing wall sleeves are used.

③ Used when a subbase is not required, but additional support and leveling is needed. The adjusting screw can be extended 2 inches with maximum distance from the bottom of the wall sleeve to screw base of 5 inches and a minimum distance of 3 inches.

④ Attaches to wall sleeve for controlled indoor or outdoor disposal of condensate to a field supplied drain system.

⑤ All PTAC units required a power cord or hard wire kit to power the unit. If 265V in addition to the power cord a universal subbase and socket for subbase are required. For a 230/208V units require the power cord and it's optional the subbase and socket.

⑥ This kit provides convenient space to make electrical connection to building wiring. Includes flexible conduit, and wire to make connection from unit chassis. The connectors for Hard wire kit need to be ordered for this Hard wire kit accessory.

⑦ Required when using a Hard wire kit.

⑧ The Power switch can be installed on the hard wire junction box and provides a way to shut on and off the PTAC unit. Also its an optional accessory when using the Power Cord to power the PTAC unit. Check local codes for approval.

⑨ Provides a space to tie into building, wiring and also includes a receptacle to plug unit into. Gives additional leveling and support capabilities. Provides a place for fuses, circuit breaker or mechanical disconnect to be mounted. (30A is for units.

⑩ All subbases require a socket.

⑪ The Circuit Breaker can be installed on front of subbase and provides over current protection and means of shutting unit on and off.

⑫ Using the field installed, permanent, cleanable filters will keep debris off the coil and out of the air. Unit

will operate more efficiently if filters are changed regularly.

⑬ All PTAC units require either a Display module or a wall mounted Thermostat to operate the unit. If Wall mounted controls the PTAC unit will require a Escutcheon cover to be mounted on the unit.

⑭ This escutcheon cover should be ordered whenever the display module is wall mounted or a thermostat or third party provider unit controls are ordered. This escutcheon includes a control cover plate, that will cover the normal unit mounted nomenclature.

⑮ All Hydronic PTAC chassis come standard without a plastic front cover for use with a hot water kit. If unit is required to work with out heat and with out Hydronic kit the plastic front cover should be ordered.



2 — 5 Ton 2YCC3024 - 60A

XB13c ***Convertible Pkg.*** ***Gas/Electric***

Specifications: XB13c - Single Phase R-22

Model Number	Power Supply	Capacity Cooling (BTUH)	Capacity Htg. Output (BTUH)	SEER	AFUE(%)	Uncrated Dim. (in.)			Mfg. Plant	Shipping Weight
						H	W	L		
2YCC3024A1040A	208/230/1/60	23,000	32,000	13.00	80.0	36	42	49	FS/200	470
2YCC3024A1064A	208/230/1/60	23,000	51,500	13.00	80.0	36	42	49	FS/200	481
2YCC3030A1040A	208/230/1/60	28,000	32,000	13.00	80.0	36	42	49	FS/200	470
2YCC3030A1064A	208/230/1/60	28,000	51,500	13.00	80.0	36	42	49	FS/200	481
2YCC3030A1075A	208/230/1/60	28,000	60,500	13.00	80.0	36	42	49	FS/200	481
2YCC3036A1064A	208/230/1/60	35,000	51,500	13.00	80.0	36	42	49	FS/200	479
2YCC3036A1075A	208/230/1/60	35,000	60,500	13.00	80.0	36	42	49	FS/200	479
2YCC3036A1096A	208/230/1/60	35,000	77,500	13.00	80.0	36	42	49	FS/200	485
2YCC3042A1064A	208/230/1/60	40,000	51,500	13.00	80.0	38	45	59	FS/200	599
2YCC3042A1075A	208/230/1/60	40,000	60,500	13.00	80.0	38	45	59	FS/200	599
2YCC3042A1096A	208/230/1/60	40,000	77,500	13.00	80.0	38	45	59	FS/200	607
2YCC3048A1075A	208/230/1/60	47,000	60,500	13.00	80.0	38	45	59	FS/200	656
2YCC3048A1096A	208/230/1/60	47,000	77,500	13.00	80.0	38	45	59	FS/200	663
2YCC3048A1120A	208/230/1/60	47,000	96,500	13.00	80.0	38	45	59	FS/200	669
2YCC3060A1096A	208/230/1/60	58,000	76,000	13.00	80.0	42	45	59	FS/200	678
2YCC3060A1120A	208/230/1/60	58,000	96,500	13.00	80.0	42	45	59	FS/200	684

Features:

- All steel louvers and cabinet for rugged, long lasting protection
- Stainless steel burners and heat exchanger for extra long life and safety
- Quiet operation delivers great in-home comfort with minimal sound
- Weather Beater Top contoured for great appearance and reinforced for strength
- Appliance grade finish of durable powder paint baked on both sides of the panels
- Exclusive **Climatuff®** high efficiency compressor with internal overload protection
- High efficiency outdoor fan motor for quiet and reliable operation
- Composite **Vortica®** blower provides better airflow and less sound while using less energy
- **Spine Fin™** outdoor coil for long lasting performance and durability
- Right side electrical service for high and low voltage connections
- Rugged steel basepan features deep drawn duct connections and emergency drains
- Steeply sloped composite drainpan will empty fast and never rust
- Ships in horizontal configuration and converts quickly for downflow
- Optional filter rack kits fit inside the unit. Available for 1" or 2" media
- Non-bleed expansion valves on indoor and outdoor coils
- Direct drive multi-speed indoor blower motors
- Pressure taps easily accessed and protected inside compressor compartment
- Easy access liquid line tap inside compressor compartment
- Standard operation to 55°F as manufactured
- Low ambient cooling to 0°F with kit.
- UL approved and listed
- **5 year compressor and other parts limited warranty (Residential Use Only)**
- **Optional extended warranty**



1-1/2 — 5 Ton
4YCC3018 - 60A

XB13c
Convertible Pkg.
Gas/Electric

Specifications: XB13c - Single Phase R-410A

Model Number	Power Supply	Capacity Cooling (BTUH)	Capacity Htg. Output (BTUH)	SEER	AFUE(%)	Uncrated Dim. (in.)			Mfg. Plant	Shipping Weight
						H	W	L		
4YCC3018A1040A	208/230/1/60	18,000	32,000	13.00	80.0	36	42	49	FS/200	471
4YCC3036A1064A	208/230/1/60	35,000	51,500	13.00	80.0	36	42	49	FS/200	488
4YCC3036A1075A	208/230/1/60	35,000	60,500	13.00	80.0	36	42	49	FS/200	488
4YCC3036A1096A	208/230/1/60	35,000	77,500	13.00	80.0	36	42	49	FS/200	493
4YCC3048A1075A	208/230/1/60	46,500	60,500	13.00	80.0	38	45	59	FS/200	645
4YCC3048A1096A	208/230/1/60	46,500	77,500	13.00	80.0	38	45	59	FS/200	653
4YCC3048A1120A	208/230/1/60	46,500	96,500	13.00	80.0	38	45	59	FS/200	659
4YCC3060A1096A	208/230/1/60	58,000	76,000	13.00	80.0	40	45	59	FS/200	670
4YCC3060A1120A	208/230/1/60	58,000	96,500	13.00	80.0	40	45	59	FS/200	676

Specifications: XB13c - Three Phase R-410A

Model Number	Power Supply	Capacity Cooling (BTUH)	Capacity Htg. Output (BTUH)	SEER	AFUE(%)	Uncrated Dim. (in.)			Mfg. Plant	Shipping Weight
						H	W	L		
4YCC3036A3064A	208/230/3/60	35,000	51,500	13.00	80.0	36	42	49	FS/200	488
4YCC3036A3075A	208/230/3/60	35,000	60,500	13.00	80.0	36	42	49	FS/200	488
4YCC3036A3096A	208/230/3/60	35,000	77,500	13.00	80.0	36	42	49	FS/200	493
4YCC3048A3075A	208/230/3/60	46,500	60,500	13.00	80.0	38	45	59	FS/200	645
4YCC3048A3096A	208/230/3/60	46,500	77,500	13.00	80.0	38	45	59	FS/200	653
4YCC3048A3120A	208/230/3/60	46,500	96,500	13.00	80.0	38	45	59	FS/200	659
4YCC3060A3096A	208/230/3/60	58,000	77,500	13.00	80.0	40	45	59	FS/200	670
4YCC3060A3120A	208/230/3/60	58,000	96,500	13.00	80.0	40	45	59	FS/200	676

4YCC3036A4064A	460/3/60	35,000	51,500	13.00	80.0	36	42	49	FS/200	488
4YCC3036A4075A	460/3/60	35,000	60,500	13.00	80.0	36	42	49	FS/200	488
4YCC3036A4096A	460/3/60	35,000	77,500	13.00	80.0	36	42	49	FS/200	493
4YCC3048A4075A	460/3/60	46,500	60,500	13.00	80.0	38	45	59	FS/200	645
4YCC3048A4096A	460/3/60	46,500	77,500	13.00	80.0	38	45	59	FS/200	653
4YCC3048A4120A	460/3/60	46,500	96,500	13.00	80.0	38	45	59	FS/200	659
4YCC3060A4096A	460/3/60	58,000	77,500	13.00	80.0	40	45	59	FS/200	678
4YCC3060A4120A	460/3/60	58,000	96,500	13.00	80.0	40	45	59	FS/200	684

Features:

- All steel louvers and cabinet for rugged, long lasting protection
- Stainless steel burners and heat exchanger for extra long life and safety
- Quiet operation delivers great in-home comfort with minimal sound
- Weather Beater Top contoured for great appearance and reinforced for strength
- Appliance grade finish of durable powder paint baked on both sides of the panels
- Exclusive **Climatuff®** high efficiency compressor with internal overload protection
- High efficiency outdoor fan motor for quiet and reliable operation
- Composite **Vortica®** blower provides better airflow and less sound while using less energy
- **Spine Fin™** outdoor coil for long lasting performance and durability
- Right side electrical service for high and low voltage connections
- Rugged steel basepan features deep drawn duct connections and emergency drains
- Steeply sloped composite drainpan will empty fast and never rust
- Ships in horizontal configuration and converts quickly for downflow
- Optional filter rack kits fit inside the unit. Available for 1" or 2" media
- Non-bleed expansion valves on indoor and outdoor coils
- Direct drive multi-speed indoor blower motors
- Pressure taps easily accessed and protected inside compressor compartment
- Easy access liquid line tap inside compressor compartment
- Standard operation to 55°F as manufactured
- Low ambient cooling to 0°F with kit.
- UL approved and listed
- **10 year heat exchanger, 5 year compressor and other parts limited warranty (Residential Use Only)**
- **Optional extended warranty**



1-1/2 — 5 Ton
2/4YCC3018 - 060A

XB13c
Convertible Pkg.
Gas/Electric

Accessories:

Model Number	Description	Used With	Mfg. Plant	Shipping Weight
Extended Warranties – (1 yr - 5 yr - 10 yr – See Extended Warranty Section)				
Controls	See Comfort Controls Section			
BAYCURB050A	Roof Curb (Flat Roof) ^{②⑤}	*YCC3018-036A	FS/200	74
BAYCURB051A	Roof Curb (Flat Roof) ^{②⑥}	*YCC3042-060A	FS/200	74
BAYECON101A	0-100% Mod. Economizer w/Baro. Relief ^{①③④⑦}	*YCC3018-036A	FS/200	50
BAYECON102A	0-100% Mod. Economizer w/Baro. Relief ^{①③④⑦}	*YCC3042-060A	FS/200	65
BAYECON200A	0-100% Mod. Econ. - Horizontal ^{①③⑦}	*YCC3018-036A	FS/200	85
BAYECON201A	0-100% Mod. Econ. - Horizontal ^{①③⑦}	*YCC3042-060A	FS/200	85
BAYSTAT023	Remote Potentiometer	All Economizers	CK/001	1
BAYENTH001A	Enthalpy Control (Solid State) ^③	All Economizers	FS/200	2
BAYOSAH001A	0-25% Manual Fresh Air Damper ^①	*YCC3018-036A	FS/200	6
BAYOSAH002A	0-25% Manual Fresh Air Damper ^①	*YCC3042-060A	FS/200	8
BAYDMPR101A	Motorized Fresh Air Damper ^{①④}	*YCC3018-036A	FS	
BAYDMPR102A	Motorized Fresh Air Damper ^{①④}	*YCC3042-060A	FS	
BAYFLTR101A	1"-2" Filter Frame ^① (20x25 filter not included)	*YCC3018-036A	FS/200	6
BAYFLTR201A	1"-2" Filter Frame ^① (20x20,20x18 filters not included)	*YCC3042-060A	FS/200	6
BAYLPKT100A	LP Conversion Kit - All 40K,120K YC models		FS/200	2
BAYLPKT101A	LP Conversion Kit - All 64K, 96K YC models		FS/200	2
BAYLPKT102A	LP Conversion Kit - All 75K YC models		FS/200	2
BAYLOAM011A	Evaporator Defrost Control Kit	All 2/4YCC3	TY	5
BAYLOAM105A	Low Ambient Control Kit	All 2/4YCC3	FS/200	5
BAYQSTK301A	Quick Start Kit	All 2/4YCC3		
BAYCCHT101B	Crankcase Heater - 230v - Recip	2YCC3024,30,42,48A1, 4YCC3018A1		
BAYCCHT102B	Crankcase Heater - 230v - Scroll	2YCC3036A1, 4YCC3036,48,60A1/3		
BAYCCHT404B	Crankcase Heater - 460v - Scroll	4YC*3036,48,60A4		
BAYSQRD001A	16" Round Duct Adapter (2 Per Box) ^⑧	*YCC3018-036A	FS/200	5
BAYSQRD002A	18" Round Duct Adapter (2 Per Box) ^⑧	*YCC3018-060A	FS/200	3
BAYADAP050A	Adapter Curb	*YC*3018-036A to BAYCURB030,38		
BAYADAP051A	Adapter Curb	*YC*3018-036A to BAYCURB033		
BAYADAP052A	Adapter Curb	*YC*3042-060A to BAYCURB030,38		
BAYADAP053A	Adapter Curb	*YC*3042-060A to BAYCURB033		
BAYADAP054A	Adapter Curb	*YC*3042-060A to BAYCURB034		
BAYUTIL101A	Roof Curb Utility Extension Kit	*YCC3018-036A		
BAYUTIL102A	Roof Curb Utility Extension Kit	*YCC3042-060A		
BAYCOVR112A	12" Duct Shroud Covers Horizontal ^⑨	*YCC3018-060A		
BAYCOVR118A	18" Duct Shroud Covers Horizontal ^⑨	*YCC3018-060A		
BAYEXMK001A	Extreme Condition Mounting Kit - All BAYCURB & BAYADAP			
BAYEXMK002A	Extreme Condition Mounting Kit - All BAYUTIL			
BAYEXMK003A	Extreme Condition Mounting Kit - All Slab Mounts			
BAYLIFT002B	Lifting Lug Kit	All *YCC3	FS/200	5

- ① Must use filter frame when economizer/fresh air kit is used.
- ② Ships knocked down.
- ③ Dry bulb control standard with economizer.
- ④ Downflow Only.
- ⑤ Full perimeter curb for 2/4YC*3018-036A.
- ⑥ Full perimeter curb for 2/4YC*3042-060A.
- ⑦ 2-Stage thermostat provides additional energy savings if simultaneous economizer and compressor operation is expected.
- ⑧ It is the responsibility of the installing dealer to properly size the ductwork for each specific application.
- ⑨ BAYCOVR112,118A will not cover BAYSQRD002A applications



2 — 5 Ton 2YCX3018 - 60A

XL13c Convertible Pkg. Gas/Electric

Specifications: XL13c - Single Phase R-22

Model Number	Power Supply	Capacity Cooling (BTUH)	Capacity Htg. Output (BTUH)	SEER	AFUE(%)	Uncrated Dim. (in.)			Mfg. Plant	Shipping Weight
						H	W	L		
2YCX3024A1040A	208/230/1/60	25,200	32,000	13.35	80.0	36	43	51	FS/200	470
2YCX3024A1064A	208/230/1/60	25,200	51,500	13.35	80.0	36	43	51	FS/200	481
2YCX3030A1040A	208/230/1/60	29,400	32,000	13.20	80.0	36	43	51	FS/200	470
2YCX3030A1064A	208/230/1/60	29,400	51,500	13.20	80.0	36	43	51	FS/200	481
2YCX3030A1075A	208/230/1/60	29,400	60,500	13.20	79.4	36	43	51	FS/200	481
2YCX3036A1064A	208/230/1/60	35,200	51,500	13.00	80.0	36	43	51	FS/200	479
2YCX3036A1075A	208/230/1/60	35,200	60,500	13.00	80.0	36	43	51	FS/200	479
2YCX3036A1096A	208/230/1/60	35,200	77,500	13.00	80.0	36	43	51	FS/200	485
2YCX3042A1064A	208/230/1/60	41,500	51,500	13.15	80.0	38	46	61	FS/200	599
2YCX3042A1075A	208/230/1/60	41,500	60,500	13.15	80.0	38	46	61	FS/200	599
2YCX3042A1096A	208/230/1/60	41,500	77,500	13.15	80.0	38	46	61	FS/200	607
2YCX3048A1075A	208/230/1/60	48,000	60,500	13.30	80.0	38	46	61	FS/200	656
2YCX3048A1096A	208/230/1/60	48,000	77,500	13.30	80.0	38	46	61	FS/200	663
2YCX3048A1120A	208/230/1/60	48,000	96,500	13.30	80.0	38	46	61	FS/200	669
2YCX3060A1096A	208/230/1/60	59,500	77,500	13.55	80.0	42	46	61	FS/200	678
2YCX3060A1120A	208/230/1/60	59,500	96,500	13.55	80.0	42	46	61	FS/200	684

Features:

- Architecturally integrated louvers and corner guards deliver durable protection, extra safety, and great looks
- Stainless steel burners and heat exchanger for extra long life and safety
- Weather Beater Top contoured for great appearance and reinforced for strength
- Ultra quiet operation provides best-in-class performance with barely noticeable sound levels
- Appliance grade finish of durable powder paint baked on both sides of the panels
- Exclusive **Climatuff®** high efficiency compressor with internal overload protection
- Refrigerant line filter drier
- Ducted outdoor fan with a high efficiency motor for quiet and reliable operation
- Composite **Vortica®** blower provides better airflow and less sound while using less energy
- **Spine Fin™** outdoor coil for long lasting performance and durability
- Right side electrical service for high and low voltage connections
- Rugged steel basepan features deep drawn duct connections and emergency drains
- Steeply sloped composite drainpan will empty fast and never rust
- Ships in horizontal configuration and converts quickly for downflow
- Optional filter rack kits fit inside the unit. Available for 1" or 2" media
- Non-bleed expansion valves on indoor and outdoor coils
- Direct drive multi-speed indoor blower motors
- Pressure taps easily accessed and protected inside compressor compartment
- Easy access liquid line tap inside compressor compartment
- Standard operation to 55°F as manufactured
- Low ambient cooling to 0°F with kit.
- UL approved and listed
- **20 year heat exchanger, 10 year compressor, 10 year outdoor coil, and 5 year other parts limited warranty (Residential Use Only)**
- **Optional extended warranty**



1-1/2 — 5 Ton 4YCX3018 - 60A

XL13c Convertible Pkg. Gas/Electric

Specifications: XL13c - Single Phase R-410A

Model Number	Power Supply	Capacity Cooling (BTUH)	Capacity Htg. Output (BTUH)	SEER	AFUE(%)	Uncrated Dim. (in.)			Mfg. Plant	Shipping Weight
						H	W	L		
4YCX3018A1040A	208/230/1/60	18,800	32,000	13.55	80.0	36	43	51	FS/200	471
4YCX3036A1064A	208/230/1/60	36,400	51,500	13.15	80.0	36	43	51	FS/200	488
4YCX3036A1075A	208/230/1/60	36,400	60,500	13.15	80.0	36	43	51	FS/200	488
4YCX3036A1096A	208/230/1/60	36,400	77,500	13.15	80.0	36	43	51	FS/200	493
4YCX3048A1075A	208/230/1/60	46,500	60,500	13.05	80.0	38	46	61	FS/200	645
4YCX3048A1096A	208/230/1/60	46,500	77,500	13.05	80.0	38	46	61	FS/200	653
4YCX3048A1120A	208/230/1/60	46,500	96,500	13.05	80.0	38	46	61	FS/200	659
4YCX3060A1096A	208/230/1/60	60,000	77,500	13.40	80.0	40	46	61	FS/200	670
4YCX3060A1120A	208/230/1/60	60,000	96,500	13.40	80.0	40	46	61	FS/200	676

Specifications: XL13c - Three Phase R-410A

Model Number	Power Supply	Capacity Cooling (BTUH)	Capacity Htg. Output (BTUH)	SEER	AFUE(%)	Uncrated Dim. (in.)			Mfg. Plant	Shipping Weight
						H	W	L		
4YCX3036A3064A	208/230/3/60	36,400	51,500	13.15	80.0	36	43	51	FS/200	488
4YCX3036A3075A	208/230/3/60	36,400	60,500	13.15	80.0	36	43	51	FS/200	488
4YCX3036A3096A	208/230/3/60	36,400	77,500	13.15	80.0	36	43	51	FS/200	493
4YCX3048A3075A	208/230/3/60	46,500	60,500	13.05	80.0	38	46	61	FS/200	645
4YCX3048A3096A	208/230/3/60	46,500	77,500	13.05	80.0	38	46	61	FS/200	653
4YCX3048A3120A	208/230/3/60	46,500	96,500	13.05	80.0	38	46	61	FS/200	659
4YCX3060A3096A	208/230/3/60	60,000	77,500	13.40	80.0	40	46	61	FS/200	670
4YCX3060A3120A	208/230/3/60	60,000	96,500	13.40	80.0	40	46	61	FS/200	676

4YCX3036A4064A	460/3/60	36,400	51,500	13.15	80.0	36	43	51	FS/200	488
4YCX3036A4075A	460/3/60	36,400	60,500	13.15	80.0	36	43	51	FS/200	488
4YCX3036A4096A	460/3/60	36,400	77,500	13.15	80.0	36	43	51	FS/200	493
4YCX3048A4075A	460/3/60	46,500	60,500	13.05	80.0	38	46	61	FS/200	645
4YCX3048A4096A	460/3/60	46,500	77,500	13.05	80.0	38	46	61	FS/200	653
4YCX3048A4120A	460/3/60	46,500	96,500	13.05	80.0	38	46	61	FS/200	659
4YCX3060A4096A	460/3/60	60,000	77,500	13.40	80.0	40	46	61	FS/200	678
4YCX3060A4120A	460/3/60	60,000	96,500	13.40	80.0	40	46	61	FS/200	684

Features:

- Architecturally integrated louvers and corner guards deliver durable protection, extra safety, and great looks
- Stainless steel burners and heat exchanger for extra long life and safety
- Weather Beater Top contoured for great appearance and reinforced for strength
- Ultra quiet operation provides best-in-class performance with barely noticeable sound levels
- Appliance grade finish of durable powder paint baked on both sides of the panels
- Exclusive **Climatuff®** high efficiency compressor with internal overload protection
- Ducted outdoor fan with a high efficiency motor for quiet and reliable operation
- Composite **Vortica®** blower provides better airflow and less sound while using less energy
- **Spine Fin™** outdoor coil for long lasting performance and durability
- Right side electrical service for high and low voltage connections
- Rugged steel basepan features deep drawn duct connections and emergency drains
- Steeply sloped composite drainpan will empty fast and never rust
- Ships in horizontal configuration and converts quickly for downflow
- Refrigerant line filter drier
- Optional filter rack kits fit inside the unit. Available for 1" or 2" media
- Non-bleed expansion valves on indoor and outdoor coils
- Direct drive multi-speed indoor blower motors
- Pressure taps easily accessed and protected inside compressor compartment
- Easy access liquid line tap inside compressor compartment
- Standard operation to 55°F as manufactured
- Low ambient cooling to 0°F with kit
- UL approved and listed
- **20 year heat exchanger, 10 year compressor, 10 year outdoor coil, and 5 year other parts limited warranty (Residential Use Only)**
- **Optional extended warranty**



1-1/2 — 5 Ton
2/4YCX3018 - 060A

XL13c
Convertible Pkg.
Gas/Electric

Accessories:

Model Number	Description	Used With	Mfg. Plant	Shipping Weight
Extended Warranties – (1 yr - 5 yr - 10 yr – See Extended Warranty Section)				
Controls	See Comfort Controls Section			
BAYCURB050A	Roof Curb (Flat Roof) ^{②⑤}	*YCX3018-036A	FS/200	74
BAYCURB051A	Roof Curb (Flat Roof) ^{②⑥}	*YCX3042-060A	FS/200	74
BAYECON101A	0-100% Mod. Economizer w/Baro. Relief ^{①③④⑦}	*YCX3018-036A	FS/200	50
BAYECON102A	0-100% Mod. Economizer w/Baro. Relief ^{①③④⑦}	*YCX3042-060A	FS/200	65
BAYECON200A	0-100% Mod. Econ. - Horizontal ^{①③⑦}	*YCX3018-036A	FS/200	85
BAYECON201A	0-100% Mod. Econ. - Horizontal ^{①③⑦}	*YCX3042-060A	FS/200	85
BAYSTAT023	Remote Potentiometer	All Economizers	CK/001	1
BAYENTH001A	Enthalpy Control (Solid State) ^③	All Economizers	FS/200	2
BAYOSAH001A	0-25% Manual Fresh Air Damper ^①	*YCX3018-036A	FS/200	6
BAYOSAH002A	0-25% Manual Fresh Air Damper ^①	*YCX3042-060A	FS/200	8
BAYDMPR101A	Motorized Fresh Air Damper ^{①④}	*YCX3018-036A	FS	
BAYDMPR102A	Motorized Fresh Air Damper ^{①④}	*YCX3042-060A	FS	
BAYFLTR101A	1"-2" Filter Frame ^① (20x25 filter not included)	*YCX3018-036A	FS/200	6
BAYFLTR201A	1"-2" Filter Frame ^① (20x20,20x18 filters not included)	*YCX3042-060A	FS/200	6
BAYLPKT100A	LP Conversion Kit - All 40K,120K YC models		FS/200	2
BAYLPKT101A	LP Conversion Kit - All 64K, 96K YC models		FS/200	2
BAYLPKT102A	LP Conversion Kit - All 75K YC models		FS/200	2
BAYLOAM011A	Evaporator Defrost Control Kit	All 2/4YCX3	TY	5
BAYLOAM105A	Low Ambient Control Kit	All 2/4YCX3	FS/200	5
BAYQSTK301A	Quick Start Kit	All 2/4YCX3		
BAYCCHT101B	Crankcase Heater - 230v - Recip	2YCX3024,30,42,48A1, 4YCX3018A1		
BAYCCHT102B	Crankcase Heater - 230v - Scroll	2YCX3036A1, 4YCX3036,48,60A1/3		
BAYCCHT404B	Crankcase Heater - 460v - Scroll	4YCX3036,48,60A4		
BAYSQRD001A	16" Round Duct Adapter (2 Per Box) ^⑧	*YCX3018-036A	FS/200	5
BAYSQRD002A	18" Round Duct Adapter (2 Per Box) ^⑧	*YCX3018-060A	FS/200	3
BAYADAP050A	Adapter Curb	*YCX3018-036A to BAYCURB030,38		
BAYADAP051A	Adapter Curb	*YCX3018-036A to BAYCURB033		
BAYADAP052A	Adapter Curb	*YCX3042-060A to BAYCURB030,38		
BAYADAP053A	Adapter Curb	*YCX3042-060A to BAYCURB033		
BAYADAP054A	Adapter Curb	*YCX3042-060A to BAYCURB034		
BAYUTIL101A	Roof Curb Utility Extension Kit	*YCX3018-036A		
BAYUTIL102A	Roof Curb Utility Extension Kit	*YCX3042-060A		
BAYCOVR112A	12" Duct Shroud Covers Horizontal ^⑨	*YCX3018-060A		
BAYCOVR118A	18" Duct Shroud Covers Horizontal ^⑨	*YCX3018-060A		
BAYEXMK001A	Extreme Condition Mounting Kit - All BAYCURB & BAYADAP			
BAYEXMK002A	Extreme Condition Mounting Kit - All BAYUTIL			
BAYEXMK003A	Extreme Condition Mounting Kit - All Slab Mounts			
BAYLIFT002B	Lifting Lug Kit	All *YCX3	FS/200	5

① Must use filter frame when economizer/fresh air kit is used.

② Ships knocked down.

③ Dry bulb control standard with economizer.

④ Downflow Only.

⑤ Full perimeter curb for 2/4YCX3018-036A.

⑥ Full perimeter curb for 2/4YCX3042-060A.

⑦ 2-Stage thermostat provides additional energy savings if simultaneous economizer and compressor operation is expected.

⑧ It is the responsibility of the installing dealer to properly size the ductwork for each specific application.

⑨ BAYCOVR112,118A will not cover BAYSQRD002A applications

Specifications: XL 1600 — Single Phase

Model Number	Power Supply	Capacity Cooling (BTUH)	Capacity Htg. Output (BTUH)	SEER	AFUE(%)	Uncrated Dim. (in.)			Mfg. Plant	Shipping Weight
						H	W	L		
YCZ036F1M0B	208/230/1/60	36,000	45 or 57	16.05	80.0	29	36	64	FS/200	588
YCZ050F1H0B	208/230/1/60	51,000	73 or 90	16.00	80.0	33	45	65	FS/200	693
YCZ060F1M0B	208/230/1/60	59,000	72 or 90	15.20	80.0	33	45	65	FS/200	723

Specifications: XE 1600 — 3 Phase

Model Number	Power Supply	Capacity Cooling (BTUH)	Capacity Htg. Output (BTUH)	SEER	AFUE(%)	Uncrated Dim. (in.)			Mfg. Plant	Shipping Weight
						H	W	L		
YCZ036F3M0B	208/230/3/60	36,000	45 or 56	16.05	80.0	29	36	64	FS/200	588
YCZ050F3H0B	208/230/1/60	51,000	73 or 90	16.00	80.0	33	45	65	FS/200	693
YCZ060F3M0B	208/230/3/60	59,000	72 or 96	15.20	80.0	33	45	65	FS/200	723
YCZ036F4M0B	460/3/60	36,000	45 or 56	15.60	80.0	29	36	64	FS/200	613
YCZ050F4H0A	460/3/60	51,000	73 or 90	15.75	80.0	33	45	65	FS/200	718
YCZ060F4M0B	460/3/60	59,000	72 or 90	14.85	80.0	33	45	65	FS/200	748

Features:

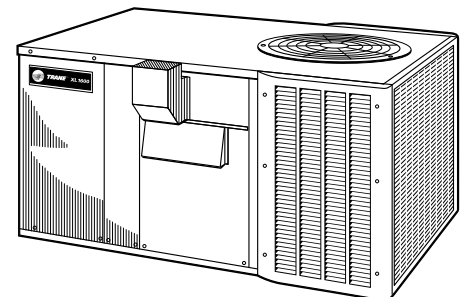
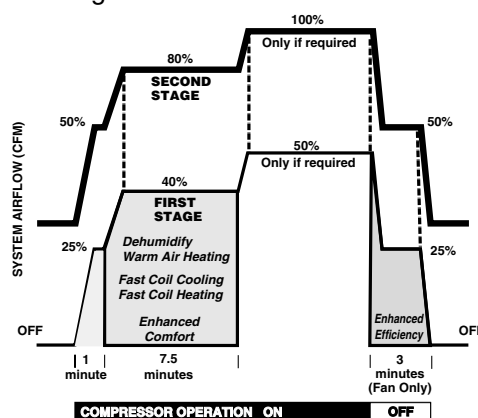
- Industry's **highest efficiency** -- up to **16.05 SEER**
- **Coil-Sav'R Lexan®** wrap-around grille
- **Exclusive two-stage heating and cooling operation**
- **Two-stage gas furnace**
- **New** side electrical service access for high and low voltage
- **Powder paint and Weatherguard™ screws** for a quality appearance that lasts
- **Acousti-Curb** for rooftop applications
- Exclusive **dual Climatuff®** high efficiency compressors
- Exclusive **Uni-Curb** that fits all units
- Exclusive **Comfort-R™** enhanced comfort setting for better humidity control in cooling mode

- Exclusive **common cabinetry**
- Exclusive **Water-Shed** no leak one piece base pan
- **Duratuff™** outdoor plate fin coil
- Direct spark two-stage integrated ignition control
- Two-speed combustion blower
- Exclusive **trim ring** on top discharge fan grille
- Optional **In-Filter™** filter rack fits inside unit
- Multi-speed direct drive blower motor to match two-stage heating/cooling
- Non-bleed indoor expansion valves
- Refrigerant line filter drier
- Two-speed high efficiency outdoor fan motor with polarized plug

- Ships for horizontal application; easily convertible to downflow
- UL listed
- Compressor IOL protection
- Standard operation to 45°F as manufactured
- Low ambient cooling to 0°F with accessories BAYLOAM011A and BAYLOAM323A
- Crankcase heater is applied (factory installed)
- 10-year limited compressor and outdoor coil warranty, 20-year limited heat exchanger warranty, 5-years on other parts (Residential Use Single Phase Only)
- **Optional extended warranties**



Exclusive Comfort -R™ enhanced cooling/dehumidification mode





3, 5 Ton
YCZ036, 060F

**XL/XE 1600
Convertible Pkg.
Gas/Electric**

Comfort Controls:

Model Number	Description	Used With	Mfg. Plant	Shipping Weight
BAY28X190	Locking Thermostat Cover	Room Thermostats	TY	2
BAYSTAT253A	Humidity Control	YCZ-F Model	TY	1
BAYSTAT033A	Outdoor Thermostat	Packaged Models	TY	4
TCONT802AS32DA	XL802 Prog., 7Day, 3Htg/2Clg	All Cooling / Heat Pump	TY	1
BAYSEN02ATEMPA	Outdoor Temperature Sensor	TCONT800A,802A,803A	TY	1
ZZSENSAL0800AA	Indoor Temperature Sensor	TCONT800A,802A,803A	TY	1
BAYCOVR600AA	Wall Cover Plate XL800,2,3	TCONT800A,802A,803A	TY	1
TCONT602AFA22MA	XL602 Prog., 5/1/1Day, 2Htg/2Clg	All Cooling/Heat Pump	TY	1
BAYCOVR700AA	Wall Cover Plate XL600,2	TCONT600A,602A	TY	1
TCONT402AN32DA	Electronic, 3 Htg/2 Clg (Non Prog.)	All Cooling/Heat Pump	TY	1
ZZSENSAL0400AA	Indoor Temperature Sensor	TCONT402AN32DA	TY	1
BAYSEN01ATEMPA	Outdoor Temp. Sensor	TCONT401,402	TY	1

Accessories:

Model Number	Description	Used With	Mfg. Plant	Shipping Weight
Extended Warranties – (1 yr - 5 yr - 10 yr – See Extended Warranty Section)				
BAYCURB033A	Roof Curb (Flat Roof)③ Acousti-Curb	YCZ036F	FS/200	88
BAYCURB034A	Roof Curb (Flat Roof)③ Acousti-Curb	YCZ050,060F	FS/200	100
BAYINDK002A**	Insulated Deck Pan for C Cabinet	BAYCURB033A	FS/200	28
BAYINDK003A***	Insulated Deck Pan for D Cabinet	BAYCURB034A	FS/200	30
BAYECON054B	0-100% Mod. Econ. w/Bar Relief②④⑤⑥	YCZ036F	FS/200	50
BAYECON055B	0-100% Mod. Econ. w/Bar Relief②④⑤⑥	YCZ050,060F	FS/200	65
BAYECON073A	0-100% Mod. Econ. - Horizontal②④⑥	YCZ-F Models	FS/200	85
BAYSTAT023	Remote Potentiometer	BAYECON054B,055B	CK/001	1
BAYENTH001A	Enthalpy Control (Solid State)④	YCZ-F Models	FS/200	2
BAYDMPR040A	0-25% Manual Fresh Air Damper②	YCZ036F	FS/200	6
BAYDMPR041A	0-25% Manual Fresh Air Damper②	YCZ050,060F	FS/200	8
BAYFLTR013A	Filter Frame②(20x25x1" filter not incl)	YCZ036F	FS/200	6
BAYFLTR014A	Filter Frame②(3-10x24x1" filters not incl)	YCZ050,060F	FS/200	9
BAYFLTR018A	Filter Frame②(1-20x25x2" filters not incl)	YCZ036F	FS/200	9
BAYFLTR019A	Filter Frame②(2-16x25x2" filter not incl)	YCZ050,060F	FS/200	9
BAYLOAM011A	Evap. Defrost Control Kit①	YCZ-F Models	TY	5
BAYLPKT024B	LP Conversion Kit	YCZ-F Models	FS/200	2
BAYLPSS002A	LP Conversion Kit with SS Burners	YCZ-F Models	FS/200	10
BAYDUCT004A	12" Round Duct Adapters (2 Per Box)	YCZ036F	FS/200	5
BAYDUCT005A	14" Round Duct Adapter (1 Per Box)	YCZ050,060F	FS/200	3
BAYLIFT002B	Lifting Lug Kit	YCZ-F Models	FS/200	5
BAYASCT001	Anti-Short Cycle Timer	YCZ-F Models	FS/200	1
BAY0SAC001A	Outside Air Econo Controller	YCZ-F Models	FS/200	

① Low ambient cooling requires crankcase heater (BAYCCHT003A).

② Must use filter frame when economizer/fresh air kit is used.

③ Ships knocked down.

④ Dry bulb control standard with economizer.

⑤ Downflow Only.

⑥ For low ambient applications, use this controller.

⑦ Requires subbase.

** Currently shipped with BAYCURB033A

***Currently shipped with BAYCURB034A

Specifications: XL 1400 - Single Phase

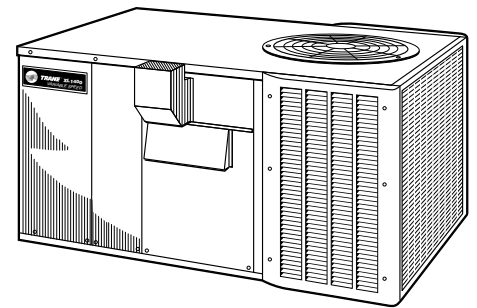
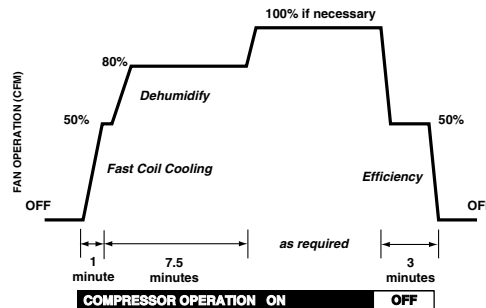
Model Number	Power Supply	Capacity Cooling (BTUH)	Capacity Htg. Output (BTUH)	SEER	AFUE(%)	Uncrated Dim. (in.)			Mfg. Plant	Shipping Weight
						H	W	L		
YCY024G1L0A	208/230/1/60	24,000	30 or 37	14.0	80.0	29	36	64	FS/200	444
YCY024G1M0A	208/230/1/60	24,000	44 or 53	14.0	80.0	29	36	64	FS/200	455
YCY030G1L0A	208/230/1/60	30,600	31 or 38	13.0	80.0	29	36	64	FS/200	474
YCY030G1M0A	208/230/1/60	30,600	44 or 55	13.0	80.0	29	36	64	FS/200	485
YCY036G1M0A	208/230/1/60	36,000	45 or 57	14.0	80.0	29	36	64	FS/200	508
YCY036G1H0A	208/230/1/60	36,000	61 or 72	14.0	80.0	29	36	64	FS/200	513
YCY042G1M0A	208/230/1/60	41,500	65 or 78	14.0	80.0	29	36	64	FS/200	513
YCY048G1H0A	208/230/1/60	49,000	73 or 95	14.4	80.0	33	45	65	FS/200	639
YCY060G1M0A	208/230/1/60	61,000	72 or 96	13.0	80.0	33	45	65	FS/200	659

Features:

- **Variable Speed ECM** motor with ramped start and quiet operation
- **Exclusive Comfort -R™** enhanced cooling/dehumidification mode (see chart)
- **Two-stage gas heat** for heating comfort
- Side electrical service access for high and low voltage
- Sloped composite no-rust drain pan
- All foil faced washable insulation
- **Coil-Sav'R Lexan®** grille
- Exclusive **trim ring** on top discharge fan grille
- **Powder paint and Weatherguard™** coated screws for a quality appearance that lasts
- Exclusive **Climatuff®** high efficiency compressor
- **Uni-Curb** that fits all sizes 2-5 tons
- **Common cabinetry** across lines (G/E, Clg.) and across efficiency tiers
- **Water-Shed** no leak one piece base pan
- Two-stage direct spark integrated ignition control
- Two-speed combustion blower
- Ships for horizontal application; easily convertible to downflow
- Refrigerant line filter
- High efficiency outdoor fan motor with polarized plug
- UL Listed
- Compressor IOL protection
- Standard operations to 55°F as manufactured
- Low ambient cooling to 0°F with accessories BAYLOAM011A, BAYLOAM323A
- Optional **In-Filter™** filter rack fits inside unit
- **10-year limited compressor and outdoor coil warranty, 20-year limited heat exchanger warranty, 5-years on other parts (Residential Use Single Phase Only)**
- **Optional extended warranties**



Exclusive Comfort -R™ enhanced cooling/dehumidification mode





2 — 5 Ton YCY024 - 060G

XL 1400 Convertible Pkg. Gas/Electric

Accessories:

Model Number	Description	Used With	Mfg. Plant	Shipping Weight
Extended Warranties (1 yr - 5 yr - 10 yr – See Extended Warranty Section)				
Controls (See Control Section)				
BAYCURB030A	Roof Curb (Flat Roof)②(Universal)	YCY-G Models	FS/200	74
BAYCURB038A	Roof Curb (Flat Roof)②(Universal)Acousti-Curb	YCY-G Models	FS/200	74
BAYCURB033A	Roof Curb (Flat Roof)②⑦ Acousti-Curb	YCY024-042G	FS/200	88
BAYCURB034A	Roof Curb (Flat Roof)②⑧ Acousti-Curb	YCY048,060G	FS/200	100
BAYINDK002A**	Insulated Deck Pan for C Cabinet	BAYCURB033A	FS/200	28
BAYINDK003A***	Insulated Deck Pan for D Cabinet	BAYCURB034A	FS/200	30
BAYECON054B	0-100% Mod. Econ. w/Bar Relief①③④⑥	YCY024-042G	FS/200	50
BAYECON055B	0-100% Mod. Econ. w/Bar Relief①③④⑥	YCY048-060G	FS/200	65
BAYECON073A	0-100% Mod. Econ. - Horizontal①③	YCY-G Models	FS/200	85
BAYSTAT023	Remote Potentiometer	All Economizers	CK/000	1
BAYENTH001A	Enthalpy Control (Solid State)③	YCY-G Models	FS/200	2
BAYDMPR040A	0-25% Manual Fresh Air Damper①④	YCY024-042G	FS/200	6
BAYDMPR041A	0-25% Manual Fresh Air Damper①④	YCY048-060G	FS/200	8
BAYFLTR013A	Filter Frame①(20x25x1" filter not incl)	YCY024,042G	FS/200	6
BAYFLTR014A	Filter Frame①(3-10x24x1" filter not incl)	YCY048-060G	FS/200	9
BAYFLTR018A	Filter Frame①(1-20x25x2" filter not incl)	YCY024-042G	FS/200	9
BAYFLTR019A	Filter Frame①(2-16x25x2" filter not incl)	YCY048-060G	FS/200	9
BAYLOAM011A	Evap. Defrost Control Kit	YCY-G Models	TY	5
BAYLOAM323A	Head Pressure Control⑧⑩	YCY-G Models	FS/200	5
BAYMOTR307A	Low Ambient Motor (208/230)⑤	YCY-G Models	FS	20
BAYLPKT024B	LP Conversion Kit	YCY-G Models	FS/200	2
BAYLPSS002A	LP Conversion Kit with SS Burners	YCY-G Models	FS/200	10
BAYDUCT004A	12" Round Duct Adapters (2 Per Box)⑨	YCY024-042G	FS/200	5
BAYDUCT005A	14" Round Duct Adapter (1 Per Box)⑨	YCY024-042G	FS/200	3
BAYLIFT002B	Lifting Lug Kit	YCY-G Models	FS/200	5
BAYASCT001	Anti-Short Cycle Timer	YCY-G Models	FS/200	1
BAYCCHT003A	Crankcase Heater (230v)⑩	YCY024-048G1	FS/200	2
BAYCCHT020A	Crankcase Heater (230v)⑩	YCY060G1	FS/200	2

① Must use filter frame when economizer/fresh air kit is used.

② Ships knocked down.

③ Dry bulb control standard with economizer.

④ Downflow Only.

⑤ Use low ambient motor on YCY024-042G. Not required on YCY048-060G1

⑥ 2-Stage thermostat provides additional energy savings if simultaneous economizer and compressor operation is expected.

⑦ Full perimeter curb for YCY024,042G

⑧ Full perimeter curb for YCY048,060G

⑨ It is the responsibility of the installing dealer to properly size the ductwork for each specific application

⑩ Low ambient cooling requires crankcase heater (BAYCCHT***A)

* Currently shipped with BAYCURB038A

** Currently shipped with BAYCURB033A

***Currently shipped with BAYCURB034A



Model Nomenclature

Precedent™ Convertible Pkg. Gas/Electric

Y **S** **C** **036** **A** **3** **R** **B** **A** ****** **C** **0** **0** **0** **A** **1** **0** **0** **0** **1** **A** **1**
 1 2 3 4,5,6 7 8 9 10 11 12,13 14 15 16 17 18 19 20 21 22 23 24 25

DIGIT 1 - Unit Function

- T = DX Cooling
- Y = DX Cooling, Gas Heat

DIGIT 2 - Efficiency

- S = Standard Efficiency
- H = High Efficiency[Ⓞ]

DIGIT 3 - Airflow

- C = Convertible

DIGITS 4,5,6 - Nominal Gross Cooling Capacity (MBh)

- 036 = 3 Ton
- 048 = 4 Ton
- 060 = 5 Ton
- 072 = 6 Ton
- 090 = 7.5 Ton, Single Compressor
- 092 = 7.5 Ton, Dual Compressors
- 102 = 8.5 Ton
- 120 = 10 Ton

DIGIT 7 - Major Design Sequence

- A = First

DIGIT 8 - Unit Voltage

- 3 = 208-230/60/3
- 4 = 460/60/3
- W = 575/60/3
- K = 380/60/3

DIGIT 9 - Unit Controls

- E = Electromechanical
- R = ReliaTel™

DIGIT 10 - Heating Capacity

Note: Sequence may be any letter A through Z, or any digit 1 through 9.

- 0 = No Electric Heater
- B = 6 kw (3 phase)
- C = 9 kw (3 phase)
- E = 12 kw (3 phase)
- G = 18 kw (3 phase)
- J = 23 kw (3 phase)
- K = 27 kw (3 phase)
- N = 36 kw (3 phase)
- P = 54 kw (3 phase)

Note: Applicable to Digit 1, Y models only.

- L = Low
- M = Medium
- H = High
- X = Low, Stainless Steel Heat Exchanger
- Y = Medium, Stainless Steel Heat Exchanger
- Z = High, Stainless Steel Heat Exchanger

DIGIT 11 - Minor Design Sequence

- A = First Sequence

DIGIT 12,13 - Service Sequence

- ** = Factory Assigned

DIGIT 14 - Fresh Air Selection

- 0 = No Fresh Air
- A = Manual Outside Air Damper 0-50%[Ⓞ]
- B = Motorized Outside Air Damper 0-50%
- C = Economizer, Dry Bulb 0-100% without Barometric Relief[Ⓞ]
- D = Economizer, Dry Bulb 0-100% with Barometric Relief[Ⓞ]

- E = Economizer, Reference Enthalpy 0-100% without Barometric Relief[Ⓞ]
- F = Economizer, Reference Enthalpy 0-100% with Barometric Relief[Ⓞ]
- G = Economizer, Comparative Enthalpy 0-100% without Barometric Relief[Ⓞ]
- H = Economizer, Comparative Enthalpy 0-100% with Barometric Relief[Ⓞ]

DIGIT 15 - Supply Fan/Drive Type/Motor

- 0 = Standard Drive[Ⓞ]
- 1 = Oversized Motor
- 2 = Optional Belt Drive Motor

DIGIT 16 - Hinged Service Access & Filters

- 0 = Standard Panels & Standard Filters
- A = Hinged Access Panels & Standard Filters
- B = Standard Panels & 2" Pleated Filters
- C = Hinged Access Panels & 2" Pleated Filters

DIGIT 17 - Condenser Coil Protection

- 0 = Standard Coil
- 1 = Standard Coil with Hail guard
- 2 = Black Epoxy Coated Condenser Coil
- 3 = Black Epoxy Coated Condenser Coil with Hail Guard
- 4 = CompleteCoat™ Condenser Coil
- 5 = CompleteCoat™ Condenser Coil with Hail Guard

DIGIT 18 - Through the Base Provisions Models

Note: (Applicable to Digit 1, T or Y models)

- 0 = No Through the Base Provisions
- A = Through the Base Electric[Ⓞ]

Note: (Applicable to Digit 1, Y models only)

- B = Through the Base Gas Piping
- C = Through the Base Electric and Gas Piping[Ⓞ]

DIGIT 19 - Disconnect/Circuit Breaker/Phase Monitor (3 phase only)

- 0 = No Disconnect or Circuit Breaker
- 1 = Non-Fused Disconnect[Ⓞ]
- 2 = Circuit Breaker[Ⓞ]
- 3 = Phase Monitor
- 4 = Phase Monitor & Non-Fused Disconnect Switch
- 5 = Phase Monitor & Circuit Breaker

DIGIT 20 - Convenience Outlet

- 0 = No Convenience Outlet
- A = Unpowered Convenience Outlet
- B = Powered Convenience Outlet (3 phase only)[Ⓞ]

DIGIT 21 - Communications Options[Ⓞ]

- 0 = No Communications Interface
- 1 = Trane Communications Intertace
- 2 = LonTalk® Communications Interface
- 3 = Novar 2024 Controls
- 4 = Novar 3051 Controls

DIGIT 22 - Refrigeration System Option

- 0 = Standard Refrigeration System[Ⓞ]

- A = Thermal Expansion Valve (TXV)
- B = Dehumidification (Hot Gas Reheat Coil)[Ⓞ]

DIGIT 23 - Refrigeration Controls

- 0 = No Refrigeration Control
- 1 = High Pressure Control[Ⓞ]
- 2 = Frostat[Ⓞ]
- 3 = Crankcase Heater[Ⓞ]
- 4 = High Pressure Control[Ⓞ] and Frostat[Ⓞ]
- 5 = High Pressure Control[Ⓞ] and Crankcase Heater[Ⓞ]
- 6 = Frostat[Ⓞ] and Crankcase Heater[Ⓞ]
- 7 = High Pressure Control,[Ⓞ] Frostat[Ⓞ] and Crankcase Heater[Ⓞ]

DIGIT 24 - Smoke Detector

- 0 = No Smoke Detector
- A = Return Air Smoke Detector[Ⓞ]
- B = Supply Air Smoke Detector
- C = Supply and Return Air Smoke Detectors[Ⓞ]

DIGIT 25 - Monitoring Controls[Ⓞ]

- 0 = No Monitoring Control[Ⓞ]
- 1 = Clogged Filter Switch[Ⓞ]
- 2 = Fan Failure Switch[Ⓞ]
- 3 = Discharge Air Sensing Tube[Ⓞ]
- 4 = Clogged Filter Switch and Fan Fail Switch[Ⓞ]
- 5 = Clogged Filter Switch and Discharge Air Sensing Tube[Ⓞ]
- 6 = Fan Fail Switch and Discharge Air Sensing Tube[Ⓞ]
- 7 = Clogged Filter and Fan Fail Switches and Discharge Air Sensing Tube[Ⓞ]
- 8 = Novar Return Air Sensor[Ⓞ]

Model Number Notes

- [Ⓞ] Not available with electromechanical unit controls.
- [Ⓞ] Economizer with Barometric Relief is for downflow configured units only. Order Economizer without Barometric Relief for horizontal configuration. Barometric Relief for horizontal configured units must be ordered as field installed accessory.
- [Ⓞ] Requires use of Disconnect or Circuit Breaker.
- [Ⓞ] Standard refrigeration metering device – short orifice.
- [Ⓞ] Frostat cannot be field installed in electro-mechanical units.
- [Ⓞ] High Pressure control is standard on 3-phase units with scroll compressors and in 3 ton standard efficiency units.
- [Ⓞ] Not available with High Temperature Stat accessory.
- [Ⓞ] The return air smoke detector may not fit up or work properly on the Precedent units when used in conjunction with 3rd party accessories such as bolt on heat wheels, economizers and power exhaust. Do not order the return air smoke detectors when using this type of accessory.
- [Ⓞ] Return Air Smoke Detector cannot be ordered with Novar Controls.
- [Ⓞ] These options are standard when ordering Novar Controls.
- [Ⓞ] This option is used when ordering Novar Controls.
- [Ⓞ] Includes gas piping and shutoff (field assembly required).
- [Ⓞ] The manual outside air damper will ship factory supplied within the unit, but must be field installed.
- [Ⓞ] Requires selection of 2" Pleated Filters (option B or C) for Digit 16.
- [Ⓞ] Through the base electric required when ordering disconnect/circuit breaker options.
- [Ⓞ] Crankcase heaters are standard on 3 ton standard efficiency and 7.5 ton single compressor units.
- [Ⓞ] Direct Drive (3-5 tons); Belt Drive (6-10 tons)
- [Ⓞ] Not available on 6 ton units and all single phase or standard efficiency.
- [Ⓞ] Available on 6-10 tons only.



3 — 5 Ton YSC036-060A

Precedent™ Convertible Pkg. Gas/Electric

Table 1 — Main Assembly — 3-5 Ton Standard Efficiency (Digits 1-8 & Digit 10)

Model Number	Power Supply	Gross Capacity Cooling (BTUH)	Capacity Heating Output (BTUH)	SEER	Uncrated Dimensions (in.)			Mfg. Plant	Shipping Weight
					H	W	L		
10th Digit = Low Heat, Standard Heat Exchanger									
YSC036A3*L	208-230/60/3	37,400	48,000	10.7	32	43	69	LH	465
YSC048A3*L	208-230/60/3	49,200	48,000	10.0	32	43	69	LH	495
YSC060A3*L	208-230/60/3	63,100	48,000	10.2	36	43	69	LH	512
YSC036A4*L	460/60/3	37,400	48,000	10.7	32	43	69	LH	465
YSC048A4*L	460/60/3	49,200	48,000	10.0	32	43	69	LH	495
YSC060A4*L	460/60/3	63,100	48,000	10.2	36	43	69	LH	512
YSC036AW*L	575/60/3	37,400	48,000	10.7	36	43	69	LH	465
YSC048AW*L	575/60/3	49,200	48,000	10.0	36	43	69	LH	495
YSC060AW*L	575/60/3	63,100	48,000	10.2	36	43	69	LH	512
10th Digit = Medium Heat, Standard Heat Exchanger									
YSC036A3*M	208-230/60/3	37,400	64,000	10.7	32	43	69	LH	507
YSC048A3*M	208-230/60/3	49,200	64,000	10.0	32	43	69	LH	519
YSC060A3*M	208-230/60/3	63,100	64,000	10.2	36	43	69	LH	548
YSC036A4*M	460/60/3	37,400	64,000	10.7	32	43	69	LH	465
YSC048A4*M	460/60/3	49,200	64,000	10.0	32	43	69	LH	495
YSC060A4*M	460/60/3	63,100	64,000	10.2	36	43	69	LH	512
YSC036AW*M	575/60/3	37,400	64,000	10.7	36	43	69	LH	465
YSC048AW*M	575/60/3	49,200	64,000	10.0	36	43	69	LH	495
YSC060AW*M	575/60/3	63,100	64,000	10.2	36	43	69	LH	512
10th Digit = High Heat, Standard Heat Exchanger									
YSC036A3*H	208-230/60/3	37,400	96,000	10.7	32	43	69	LH	534
YSC048A3*H	208-230/60/3	49,200	96,000	10.0	32	43	69	LH	546
YSC060A3*H	208-230/60/3	63,100	104,000	10.2	36	43	69	LH	576
YSC036A4*H	460/60/3	37,400	96,000	10.7	32	43	69	LH	465
YSC048A4*H	460/60/3	49,200	96,000	10.0	32	43	69	LH	495
YSC060A4*H	460/60/3	63,100	104,000	10.2	36	43	69	LH	512
YSC036AW*H	575/60/3	37,400	96,000	10.7	36	43	69	LH	465
YSC048AW*H	575/60/3	49,200	96,000	10.0	36	43	69	LH	495
YSC060AW*H	575/60/3	63,100	104,000	10.2	36	43	69	LH	512



6 — 10 Ton YSC072-120A

Precedent™ Convertible Pkg. Gas/Electric

Table 1 — Main Assembly — 6-10 Ton Standard Efficiency (Digits 1-8 & Digit 10)

Model Number	Power Supply	Gross Capacity Cooling (BTUH)	Capacity Heating Output (BTUH)	EER	Uncrated Dimensions (in.)			Mfg. Plant	Shipping Weight
					H	W	L		
10th Digit = Low Heat, Standard Heat Exchanger									
YSC072A3*L	208-230/60/3	72,000	64,800	10.1	41	53	89	LH	822
YSC090A3*L	208-230/60/3	90,000	97,200	10.3	41	53	89	LH	907
YSC092A3*L	208-230/60/3	90,000	97,200	10.3	41	53	89	LH	909
YSC102A3*L	208-230/60/3	105,000	97,200	10.1	47	53	89	LH	986
YSC120A3*L	208-230/60/3	117,000	121,500	10.3	47	53	89	LH	1074
<hr/>									
YSC072A4*L	460/60/3	72,000	64,800	10.1	41	53	89	LH	822
YSC090A4*L	460/60/3	90,000	97,200	10.3	41	53	89	LH	907
YSC092A4*L	460/60/3	90,000	97,200	10.3	41	53	89	LH	909
YSC102A4*L	460/60/3	105,000	97,200	10.1	47	53	89	LH	986
YSC120A4*L	460/60/3	117,000	121,500	10.3	47	53	89	LH	1074
<hr/>									
YSC072AW*L	575/60/3	72,000	64,800	10.1	41	53	89	LH	822
YSC090AW*L	575/60/3	90,000	97,200	10.3	41	53	89	LH	907
YSC092AW*L	575/60/3	90,000	97,200	10.3	41	53	89	LH	909
YSC102AW*L	575/60/3	105,000	97,200	10.1	47	53	89	LH	986
YSC120AW*L	575/60/3	117,000	121,500	10.3	47	53	89	LH	1074
<hr/>									
10th Digit = Medium Heat, Standard Heat Exchanger									
YSC072A3*M	208-230/60/3	72,000	97,200	10.1	41	53	89	LH	822
YSC090A3*M	208-230/60/3	90,000	121,500	10.3	41	53	89	LH	907
YSC092A3*M	208-230/60/3	90,000	121,500	10.3	41	53	89	LH	909
YSC102A3*M	208-230/60/3	105,000	121,500	10.1	47	53	89	LH	986
YSC120A3*M	208-230/60/3	117,000	162,000	10.3	47	53	89	LH	1074
<hr/>									
YSC072A4*M	460/60/3	72,000	97,200	10.1	41	53	89	LH	822
YSC090A4*M	460/60/3	90,000	121,500	10.3	41	53	89	LH	907
YSC092A4*M	460/60/3	90,000	121,500	10.3	41	53	89	LH	909
YSC102A4*M	460/60/3	105,000	121,500	10.1	47	53	89	LH	986
YSC120A4*M	460/60/3	117,000	162,000	10.3	47	53	89	LH	1074
<hr/>									
YSC072AW*M	575/60/3	72,000	97,200	10.1	41	53	89	LH	822
YSC090AW*M	575/60/3	90,000	121,500	10.3	41	53	89	LH	907
YSC092AW*M	575/60/3	90,000	121,500	10.3	41	53	89	LH	909
YSC102AW*M	575/60/3	105,000	121,500	10.1	47	53	89	LH	986
YSC120AW*M	575/60/3	117,000	162,000	10.3	47	53	89	LH	1074



6 — 10 Ton
YSC072-120A

Precedent™
Convertible Pkg.
Gas/Electric

Table 1 — Main Assembly — 6-10 Ton Standard Efficiency (Digits 1-8 & Digit 10) - Continued

Model Number	Power Supply	Gross Capacity Cooling (BTUH)	Capacity Heating Output (BTUH)	EER	Uncrated Dimensions (in.)			Mfg. Plant	Shipping Weight
					H	W	L		
10th Digit = High Heat, Standard Heat Exchanger									
YSC072A3*H	208-230/60/3	72,000	121,500	10.1	41	53	89	LH	822
YSC090A3*H	208-230/60/3	90,000	162,000	10.3	41	53	89	LH	907
YSC092A3*H	208-230/60/3	90,000	162,000	10.3	41	53	89	LH	909
YSC102A3*H	208-230/60/3	105,000	162,000	10.1	47	53	89	LH	986
YSC120A3*H	208-230/60/3	117,000	205,500	10.3	47	53	89	LH	1074
YSC072A4*H	460/60/3	72,000	121,500	10.1	41	53	89	LH	822
YSC090A4*H	460/60/3	90,000	162,000	10.3	41	53	89	LH	907
YSC092A4*H	460/60/3	90,000	162,000	10.3	41	53	89	LH	909
YSC102A4*H	460/60/3	105,000	162,000	10.1	47	53	89	LH	986
YSC120A4*H	460/60/3	117,000	205,500	10.3	47	53	89	LH	1074
YSC072AW*H	575/60/3	72,000	121,500	10.1	41	53	89	LH	822
YSC090AW*H	575/60/3	90,000	162,000	10.3	41	53	89	LH	907
YSC092AW*H	575/60/3	90,000	162,000	10.3	41	53	89	LH	909
YSC102AW*H	575/60/3	105,000	162,000	10.1	47	53	89	LH	986
YSC120AW*H	575/60/3	117,000	205,500	10.3	47	53	89	LH	1074



3 — 5 Ton YHC036-060A

Precedent™ Convertible Pkg. Gas/Electric

Table 2 — Main Assembly — 3-5 High Efficiency (Digits 1-8 & Digit 10)

Model Number	Power Supply	Gross Capacity Cooling (BTUH)	Capacity Heating Output (BTUH)	SEER	Uncrated Dimensions (in.)			Mfg. Plant	Shipping Weight
					H	W	L		
10th Digit = Low Heat, Standard Heat Exchanger									
YHC036A3*L	208-230/60/3	38,000	48,000	12.5	32	43	69	LH	482
YHC048A3*L	208-230/60/3	49,800	48,000	11.9	32	43	69	LH	527
YHC060A3*L	208-230/60/3	62,400	48,000	12.2	36	43	69	LH	565
YHC036A4*L	460/60/3	38,000	48,000	12.5	32	43	69	LH	482
YHC048A4*L	460/60/3	49,800	48,000	11.9	32	43	69	LH	527
YHC060A4*L	460/60/3	62,400	48,000	12.2	36	43	69	LH	565
YHC036AW*L	575/60/3	38,000	48,000	12.5	36	43	69	LH	482
YHC048AW*L	575/60/3	49,800	48,000	11.9	36	43	69	LH	527
YHC060AW*L	575/60/3	62,400	48,000	12.2	36	43	69	LH	565
10th Digit = Medium Heat, Standard Heat Exchanger									
YHC036A3*M	208-230/60/3	38,000	64,000	12.5	32	43	69	LH	524
YHC048A3*M	208-230/60/3	49,800	64,000	11.9	32	43	69	LH	565
YHC060A3*M	208-230/60/3	62,400	64,000	12.2	36	43	69	LH	604
YHC036A4*M	460/60/3	38,000	64,000	12.5	32	43	69	LH	482
YHC048A4*M	460/60/3	49,800	64,000	11.9	32	43	69	LH	527
YHC060A4*M	460/60/3	62,400	64,000	12.2	36	43	69	LH	565
YHC036AW*M	575/60/3	38,000	64,000	12.5	36	43	69	LH	482
YHC048AW*M	575/60/3	49,800	64,000	11.9	36	43	69	LH	527
YHC060AW*M	575/60/3	62,400	64,000	12.2	36	43	69	LH	565
10th Digit = High Heat, Standard Heat Exchanger									
YHC036A3*H	208-230/60/3	38,000	96,000	12.5	32	43	69	LH	551
YHC048A3*H	208-230/60/3	49,800	96,000	11.9	32	43	69	LH	593
YHC060A3*H	208-230/60/3	62,400	104,000	12.2	36	43	69	LH	615
YHC036A4*H	460/60/3	38,000	96,000	12.5	32	43	69	LH	482
YHC048A4*H	460/60/3	49,800	96,000	11.9	32	43	69	LH	527
YHC060A4*H	460/60/3	62,400	104,000	12.2	36	43	69	LH	565
YHC036AW*H	575/60/3	38,000	96,000	12.5	36	43	69	LH	482
YHC048AW*H	575/60/3	49,800	96,000	11.9	36	43	69	LH	527
YHC060AW*H	575/60/3	62,400	104,000	12.2	36	43	69	LH	565



6 — 10 Ton
YHC072-120A

Precedent™
Convertible Pkg.
Gas/Electric

Table 2— Main Assembly — 6-10 Ton High Efficiency (Digits 1-8 & Digit 10) - Continued

Model Number	Power Supply	Gross Capacity Cooling (BTUH)	Capacity Heating Output (BTUH)	EER	Uncrated Dimensions (in.)			Mfg. Plant	Shipping Weight
					H	W	L		
10th Digit = Low Heat, Standard Heat Exchanger									
YHC072A3*L	208-230/60/3	72,000	64,800	11.4	41	53	89	LH	859
YHC092A3*L	208-230/60/3	90,000	97,200	11.4	46	53	89	LH	909
YHC102A3*L	208-230/60/3	102,000	97,200	11.4	46	53	89	LH	1044
YHC120A3*L	208-230/60/3	116,000	121,500	11.3	46	53	89	LH	1147
YHC072A4*L	460/60/3	72,000	64,800	11.4	41	53	89	LH	859
YHC092A4*L	460/60/3	90,000	97,200	11.4	46	53	89	LH	909
YHC102A4*L	460/60/3	102,000	97,200	11.4	46	53	89	LH	1044
YHC120A4*L	460/60/3	116,000	121,500	11.3	46	53	89	LH	1147
YHC072AW*L	575/60/3	72,000	64,800	11.4	41	53	89	LH	859
YHC092AW*L	575/60/3	90,000	97,200	11.4	46	53	89	LH	909
YHC102AW*L	575/60/3	102,000	97,200	11.4	46	53	89	LH	1044
YHC120AW*L	575/60/3	116,000	121,500	11.3	46	53	89	LH	1147
10th Digit = Medium Heat, Standard Heat Exchanger									
YHC072A3*M	208-230/60/3	72,000	97,200	11.4	41	53	89	LH	859
YHC092A3*M	208-230/60/3	90,000	121,500	11.4	46	53	89	LH	909
YHC102A3*M	208-230/60/3	102,000	121,500	11.4	46	53	89	LH	1044
YHC120A3*M	208-230/60/3	116,000	162,000	11.3	46	53	89	LH	1147
YHC072A4*M	460/60/3	72,000	97,200	11.4	41	53	89	LH	859
YHC092A4*M	460/60/3	90,000	121,500	11.4	46	53	89	LH	909
YHC102A4*M	460/60/3	102,000	121,500	11.4	46	53	89	LH	1044
YHC120A4*M	460/60/3	116,000	162,000	11.3	46	53	89	LH	1147
YHC072AW*M	575/60/3	72,000	97,200	11.4	41	53	89	LH	859
YHC092AW*M	575/60/3	90,000	121,500	11.4	46	53	89	LH	909
YHC102AW*M	575/60/3	102,000	121,500	11.4	46	53	89	LH	1044
YHC120AW*M	575/60/3	116,000	162,000	11.3	46	53	89	LH	1147
10th Digit = High Heat, Standard Heat Exchanger									
YHC072A3*H	208-230/60/3	72,000	121,500	11.4	41	53	89	LH	859
YHC092A3*H	208-230/60/3	90,000	162,000	11.4	46	53	89	LH	909
YHC102A3*H	208-230/60/3	102,000	162,000	11.4	46	53	89	LH	1044
YHC120A3*H	208-230/60/3	116,000	202,500	11.3	46	53	89	LH	1147
YHC072A4*H	460/60/3	72,000	121,500	11.4	41	53	89	LH	859
YHC092A4*H	460/60/3	90,000	162,000	11.4	46	53	89	LH	909
YHC102A4*H	460/60/3	102,000	162,000	11.4	46	53	89	LH	1044
YHC120A4*H	460/60/3	116,000	202,500	11.3	46	53	89	LH	1147
YHC072AW*H	575/60/3	72,000	121,500	11.4	41	53	89	LH	859
YHC092AW*H	575/60/3	90,000	162,000	11.4	46	53	89	LH	909
YHC102AW*H	575/60/3	102,000	162,000	11.4	46	53	89	LH	1044
YHC120AW*H	575/60/3	116,000	202,500	11.3	46	53	89	LH	1147



3 — 10Ton
 YSC036-120A
 YHC036-120A

Precedent™
Convertible Pkg.
Gas/Electric

Table 3 — Unit Controls (Digit 9)

Tons	Electromechanical (E)	ReliaTel™ (R)
3	\$ Included	
4	\$ Included	
5	\$ Included	
6	\$ Included	
7.5	\$ Included	
8.5	\$ Included	
10	\$ Included	

Table 4 — Gas Heat Option, Stainless Steel Heat Exchanger (Digit 10)

Tons	Low (X)	Medium (Y)	High (Z)
3			
4			
5			
6			
7.5			
8.5			
10			

Table 5 — Fresh Air Selection (Digit 14)

Tons	0-50% ^① Manual OA Damper (A)	0-50% Motorized OA Damper (B)	0-100% ^② Economizer Dry Bulb without Barometric Relief (C)	0-100% ^② Economizer Dry Bulb with Barometric Relief (D)
3				
4				
5				
6				
7.5				
8.5				
10				

Table 5 — (Continued) Fresh Air Selection (Digit 14)

Tons	0-100% ^{①②} Economizer Reference Enthaply without Barometric Relief (E)	0-100% ^{①②} Economizer Reference Enthaply with Barometric Relief (F)	0-100% ^{①②} Economizer Comparative Enthaply without Barometric Relief (G)	0-100% ^{①②} Economizer Comparative Enthaply With Barometric Relief (H)
3				
4				
5				
6				
7.5				
8.5				
10				

① Not available with electromechanical unit controls.

② Economizer with Barometric Relief is for downflow configured units only. Order Economizer without Barometric Relief for horizontal configuration. Barometric relief for horizontal configured units must be ordered as field installed accessory BAYBARM010A.

③ The Manual Outside Air Damper will ship factory supplied within the unit, but must be field installed.



3 — 10Ton
 YSC036-120A
 YHC036-120A

**Precedent™
 Convertible Pkg.
 Gas/Electric**

Table 6 — Supply Fan Drive Type/Motor (Digit 15)

Tons	Standard ^② Motor (0)	Oversized ^③ Motor (1)	Optional ^① Belt Drive Motor (2)
3	\$ Included		
4	\$ Included		
5	\$ Included		
6	\$ Included		—
7.5	\$ Included		—
8.5	\$ Included		—
10	\$ Included		—

① Available for 3 phase models only.
 ② 3-5 ton standard motor is direct drive. 6-10 ton ton standard motor is belt drive.
 ③ 3-5 ton oversized motor is direct drive. 6-10 ton ton oversized motor is belt drive.

Table 7 — Hinged Service Access & Filters (Digit 16)

Tons	Standard Panels & Filters (0)	Hinged Access Panels & Standard Filters (A)	Standard Panels & 2" Pleated Filters (B)	Hinged Access Panels & 2" Pleated Filters (C)
3	\$ Included			
4	\$ Included			
5	\$ Included			
6	\$ Included			
7.5	\$ Included			
8.5	\$ Included			
10	\$ Included			

Table 8 — Condenser Coil Protection (Digit 17)

Tons	Standard Coil (0)	Standard Coil with Hail Guard(1)	Epoxy Coated Condenser Coil (2)	Epoxy Coated Condenser Coil with Hail Guard (3)
3	\$ Included			
4	\$ Included			
5	\$ Included			
6	\$ Included			
7.5	\$ Included			
8.5	\$ Included			
10	\$ Included			

Table 8 — (Continued) Condenser Coil Protection (Digit 17)

Tons	CompleteCoat™ Condenser Coil (4)	CompleteCoat™ Condenser Coil with Hail Guard (5)
3		
4		
5		
6		
7.5		
8.5		
10		



3 — 10 Ton
 YSC036-120A
 YHC036-120A

**Precedent™
 Convertible Pkg.
 Gas/Electric**

Table 9 — Through the Base Provisions (Digit 18)

Tons	Through the		
	Through the Base Electric (A)	Through the Base Gas ^① (B)	Base Gas ^① and Electric (C)
3			
4			
5			
6			
7.5			
8.5			
10			

① Through the Base Gas Opening is standard. This option adds gas piping and shutoff (field assembly required).

Table 10 — Disconnect/Circuit Breaker/Phase Monitor^{①②③④} (Digit 19)

Tons	Unit Mounted Non-Fused	Unit Mounted Circuit	Phase Monitor	Phase Monitor & Non-Fused	Phase Monitor & Circuit
	Disconnect Switch (1)	Breaker (2)	Phase Monitor (3)	Disconnect Switch (4)	Breaker (5)
3					
4					
5					
6					
7.5					
8.5					
10					

① Disconnect/Circuit Breaker/Phase Monitor is available for 3 phase models only.
 ② Must order Through the Base option when ordering disconnect or Breaker.
 ③ Phase Monitor is available with ReliaTel™ models only.
 ④ Phase monitor will be standard on Y_C060A3,4,W (three phase).

Table 11 — Convenience Outlet (Digit 20)

Tons	Unpowered Convenience Outlet (A)	Powered ^{①②} Convenience Outlet (B)
	3	
4		
5		
6		
7.5		
8.5		
10		

① Powered Convenience Outlet Option is available for 3 phase models only.
 ② Requires use of Disconnect or Circuit Breaker.

Table 12 — Communications Options (Digit 21) ①

Tons	Comm-3/4			
	Trane Communications Interface (1)	LonTalk Communications Interface (2)	Novar 2024 Controls (3)	Novar 3051 Controls (4)
3				
4				
5				
6				
7.5				
8.5				
10				

① Not Available with Electromechanical Controls.



3 — 10 Ton
YSC036-120A
YHC036-120A

Precedent™
Convertible Pkg.
Gas/Electric

Table 13 — Refrigeration System Control (Digit 22)

Tons	Standard ^① Refrigeration System Control (0)	Thermal Expansion Valve (A)	Dehumidification (Hot Gas Reheat Coil) ^{②③④⑤⑥} (B)
3	\$ Included		
4	\$ Included		
5	\$ Included		
6	\$ Included		N/A
7.5	\$ Included		
8.5	\$ Included		
10	\$ Included		

- ① Standard Refrigeration Metering Device - Short Orifice.
- ② Not available on standard efficiency models, single phase units or with electromechanical controls.
- ③ Crankcase heaters, TXV's, Froststat™, high and low pressure switches, face-split evaporator coil and 2" pleated filters standard with this option.
- ④ Belt drive standard. Do not select Digit 15=2 (Optional Drive Motor).
- ⑤ Not available on heat pumps.
- ⑥ Requires selection of 2" Pleated Filters (Option B or C) under Digit 16.

Table 14 — Refrigeration Controls (Digit 23)

Tons	High Pressure Control ^{①③⑤} (1)	Froststat ^② (2)	Crankcase ^④ Heater (3)	High Pressure Control ^{①③⑤} and Froststat (4)	High Pressure Control ^{①③⑤} and Crankcase Heater ^④ (5)
3					
4			N/A		
5			N/A		
6	N/A		N/A		
7.5	N/A				
8.5	N/A		N/A		
10	N/A		N/A		

Table 14 — (Continued) Refrigeration Controls^① (Digit 23)

Tons	Froststat ^② and Crankcase Heater ^④ (6)	High Pressure Control ^{①③⑤} , Froststat and Crankcase Heater ^④ (7)
3		
4		
5		
6		
7.5		
8.5		
10		

- ① Not available with Electromechanical Controls.
- ② Froststat cannot be field installed in electromechanical units.
- ③ High Pressure Control is standard on 3 phase units with scroll compressors and on YSC036A.
- ④ Crankcase heater is standard in YSC036A and YSC090A.
- ⑤ High Pressure Control is standard on all three-phase models.



3 — 10 Ton
 YSC036-120A
 YHC036-120A

**Precedent™
 Convertible Pkg.
 Gas/Electric**

Table 15 — Smoke Detector (Digit 24) ①②③

Tons	Return Air Smoke Detector ^④ (A)	Supply Air Smoke Detector (B)	Supply and Return Air Smoke Detector ^④ (C)
3			
4			
5			
6			
7.5			
8.5			
10			

- ① Not available with Electromechanical Controls.
- ② Cannot be used with BAYFRST001A High Temperature Stat accessory.
- ③ The return air smoke detector may not fit up or work properly on the Precedent units when used in conjunction with 3rd party accessories (such as bolt on heat wheels, economizers, and power exhaust). Do not order the return air smoke detectors when using this type of accessory.
- ④ Return Air Smoke Detector cannot be ordered with Novar Controls.

Table 16 — Monitoring Controls (Digit 25) ①

Tons	Clogged Filter Switch ^② (1)	Fan Failure Switch ^② (2)	Discharge Air Sensing Tube ^② (3)	Clogged Filter Switch and Fan Fail Switch ^② (4)
3				
4				
5				
6				
7.5				
8.5				
10				

Table 16 — (Continued) Monitoring Controls (Digit 25) ①

Tons	Clogged Filter Switch and Discharge Air Sensing Tube ^{②④} (5)	Fan Fail Switch and Discharge Air Sensing Tube ^{②④} (6)	Clogged Filter and Fan Fail Switches and Discharge Air Sensing Tube ^{②④} (7)	Novar Return Air Sensor ^③ (8)
3				
4				
5				
6				
7.5				
8.5				
10				

- ① Not available with Electromechanical Controls.
- ② These options are standard when ordering Novar Controls.
- ③ This option for use when ordering Novar Control only.
- ④ Combination of Discharge Air Sensing option, Economizer option and Tracer Summit or Tracker, Version 10 requires use of Tracer™ LCI-R Communications Interface. For jobs requiring true discharge air sensing with Tracer/Tracker COMM-3 or COMM-4, contact Clarksville Light Commercial Marketing Support.



3 — 10 Ton
YSC036 - 120A
YHC036 - 120A

Precedent
Convertible Pkg.
Gas/Electric

Accessories:

Model Number	Description	Used With	Mfg. Plant	Shipping Weight
BAYCURB042A ^①	Roof Curb	Y*C036-060A	LH	80
BAYCURB043A ^①	Roof Curb	Y*C072-120A	LH	115
BAYQACB009A ^①	Quick Adapt Curb ^③	Y*C036-060A ^③	LH	100
BAYQACB010A ^①	Quick Adapt Curb ^③	Y*C036-60A ^③	LH	120
BAYQACB011A ^①	Quick Adapt Roof Curb ^③	Y*C072-120A ^③	LH	125
BAYQACB012A ^①	Quick Adapt Curb ^③	Y*C072-120A ^③	LH	130
BAYQACB013A ^①	Quick Adapt Curb ^③	Y*C072-120A ^③	LH	150
BAYECON085A ^②	0-100% Dry Bulb Economizer without Barometric Relief	Y*C036-060A_R	LH	40
BAYECON086A ^④	0-100% Dry Bulb Economizer without Barometric Relief	Y*C036-060A_E	LH	40
BAYECON087A ^②	0-100% Dry Bulb Economizer without Barometric Relief	Y*C072-120A_R	LH	40
BAYECON088A ^④	0-100% Dry Bulb Economizer without Barometric Relief	Y*C072-120A_E	LH	40
BAYDMPR051A ^②	0-50% Motorized Outside Air Damper	Y*C036-060A_R	LH	30
BAYDMPR052A ^④	0-50% Motorized Outside Air Damper	Y*C036-060A_E	LH	30
BAYDMPR054A ^②	0-50% Motorized Outside Air Damper	Y*C072-120A_R	LH	30
BAYDMPR055A ^④	0-50% Motorized Outside Air Damper	Y*C072-120A_E	LH	30
BAYDMPR053B	0-50% Manual Outside Air Damper	Y*C036-060A	LH	25
BAYDMPR056B	0-50% Manual Outside Air Damper	Y*C072-120A	LH	26
BAYGARD036B	Tool-less Condenser Coil Hail Guard	YSC036,048,060A**L,M YHC036,048A**L,M	LH	10
BAYGARD037B	Tool-less Coil Hail Guard	YSC036,048,060A**H YHC036,048A**H YHC060A**L,M,H	LH	10
BAYGARD040B	Tool-less Coil Hail Guard	YSC072A,090A; YHC072A	LH	20
BAYGARD041B	Tool-less Coil Hail Guard	YSC102A,120A; YHC092A,102A,120A	LH	20
BAYHSMT073A	.45HP Oversized motor kit	Y*C036A3	LH	25
BAYHSMT074A	.45HP Oversized motor kit	Y*C036A4	LH	25
BAYHSMT075A	.45HP Oversized motor kit	Y*C036AW	LH	25
BAYHSMT076A	.75HP Oversized motor kit	Y*C048A3	LH	30
BAYHSMT077A	.75HP Oversized motor kit	Y*C048A4	LH	30
BAYHSMT078A	.75HP Oversized motor kit	Y*C048AW	LH	30
BAYHSMT079A	1.2HP Oversized motor kit	Y*C060A3	LH	45
BAYHSMT080A	1.2HP Oversized motor kit	Y*C060A4	LH	45
BAYHSMT081A	1.2HP Oversized motor kit	Y*C060AW	LH	45
BAYHSMT082A	2HP Belt Drive Oversized Motor	Y*C072A3,A4	LH	25
BAYHSMT083A	2HP Belt Drive Oversized Motor	Y*C072AW	LH	25
BAYHSMT084B	3HP Belt Drive Oversized Motor	YSC090,092A3,A4	LH	25
BAYHSMT085B	3HP Belt Drive Oversized Motor	YSC090,092AW	LH	30
BAYHSMT086A	3HP Belt Drive Oversized Motor	Y*C102A3,A4 YHC092A3,A4	LH	30
BAYHSMT087A	3HP Belt Drive Oversized Motor	Y*C102AW YHC092AW	LH	30
BAYHSMT088A	5HP Belt Drive Oversized Motor	Y*C120A3,A4	LH	45
BAYHSMT089A	5HP Belt Drive Oversized Motor	Y*C120AW	LH	45
BAYHSDR012A	High Static Drive Kit	Y*C072A;YSC090,092A	LH	2

^① Lynn Haven Manufacturing has a No-Return policy for this roof curb.

^② For use with ReliaTel™ controlled units only.

^③ BAYQACB009A adapts Voyager BAYCURB021B to accept Precedent 3-5 ton unit. BAYQACB010A adapts Voyager BAYCURB022B to accept Precedent 3-5 ton unit.

BAYQACB011A adapts Voyager BAYCURB022B to accept Precedent 6-10 ton unit. BAYQACB012A adapts Voyager BAYCURB025B to accept Precedent 6-10 ton unit.

BAYQACB013A adapts Voyager BAYCURB026B to accept Precedent 6-10 ton unit.

^④ Electromechanical controlled units only.



3 — 10 Ton YSC036 - 120A YHC036 - 120A

Precedent Convertible Pkg. Gas/Electric

Accessories:

Model Number	Description	Used With	Mfg. Plant	Shipping Weight
BAYABRD001C ^④	ReliaTel™ Options Module	See Note ^⑦	LH	1
BAYBARM010A ^⑥	Barometric Relief	Y*C036-060A	LH	20
BAYBARM011A ^⑥	Barometric Relief	Y*C072-120A	LH	10
BAYPWRX026A ^⑩	Power Exhaust	Y*C072-120A3	LH	80
BAYPWRX027A ^⑩	Power Exhaust	Y*C072-120A4	LH	80
BAYPWRX028A ^⑩	Power Exhaust	Y*C072-120AW	LH	80
BAYCO2K001B	CO ₂ Sensor Kit, Wall Mounted	Y*C036-120A*R W/Econ. or Motorized OA Damper	LH	3
BAYCO2K003B	CO ₂ Sensor Kit, Duct Mounted	Y*C036-120A*R W/Econ. or Motorized OA Damper	LH	3.5
BAYCCHT010B ^⑪	Crankcase Heater	YHC036-072A3 YSC048-072A3 Y*C092-120A3	LH	2
BAYCCHT011B ^⑪	Crankcase Heater	YHC036-072A4,AW YSC048-072A4,AW Y*C092-120A4,AW	LH	2
BAYCCHT012A	Crankcase Heater	Y*C090A3	LH	2
BAYCCHT013A	Crankcase Heater	Y*C090A4	LH	2
BAYCCHT014A	Crankcase Heater	Y*C090AW	LH	2
BAYKSKT255A	Quick Start Kit	YHC036-060A YSC048-060A	LH	5
BAYKSKT256A	Quick Start Kit	YSC036A	LH	5
BAYSTAT023 ^④	Remote Potentiometer	BAYECON085A,087A	CK/001	1
BAYSERV001A ^④	Selective Resistance Service Tester	Y*C036-120A_R	LH	2
BAYSENS016A ^④	Temperature Sensor	Y*C036-120A_R	LH	1
BAYFRST001A ^{④⑤}	High Temperature Stat	Y*C036-120A_R	CK/001	2
BAYLPKT028B	LP Conversion Kit	Y*C036-060A;Y*C072**L,M Y*C090,092,102**L	LH	5
BAYLPKT029A	LP Conversion Kit	Y*C072A**H; Y*C090,092,102A**M,H Y*C120A**L,M,H	LH	5
BAYENTH005A ^①	Reference Enthalpy Kit	BAYECON085A,087A	LH	1
BAYENTH006B ^①	Comparative Enthalpy Kit	BAYECON085A,087A	LH	1
BAYENTH001A	Enthalpy Control (Solid State)	BAYECON086A,088A	CK/001	2
BAYDFPS003B ^{④⑦}	Clogged Filter Switch	Y*C036-120A_R	LH	1
BAYDFPS004A ^{④⑦}	Fan Failure Switch	Y*C036-120A_R	LH	1
BAYTUBE004A ^{④③⑦}	Discharge Air Sensing Kit	Y*C036-060A_R	LH	1
BAYTUBE006A ^{④③⑦}	Discharge Air Sensing Kit	Y*C072-120A_R	LH	1
BAYICSI003A ^{④⑨}	Comm-3/4 Trane Communications Interface	Y*C036-120A_R	LH	1
BAYLTCI002B ^{②⑩}	LonTalk Communications Interface	Y*C036-120A_R	LH	1
BAYASCT001 ^⑧	Anti-Short-Cycle Timer	Y*C036-120A_E	FS/200	1
BAYLOAM020B ^{②⑦}	Evaporator Defrost Control (Frostat)	Y*C036-120A_R	LH	3
BAYHAKT010B	High Altitude Kit	Y*C036-120A	LH	2
BAYVNOR001B	Ventilation Override Kit	Y*C036-120A*R W/ReliaTel™ Options Module	LH	2.5

① Kits contain all necessary parts to achieve desired level of enthalpy control.
 ② For use with ReliaTel™ microprocessor controlled units only. Must be factory installed for Electromechanical controlled units.
 ③ Used for true discharge air sensing in both heating and cooling. Required for supply air tempering.
 ④ For use with ReliaTel™ controlled units only.
 ⑤ Cannot be used in conjunction with factory installed Smoke Detector option.
 ⑥ Installs in ductwork for horizontal configuration. For downflow configuration, it installs in the unit's horizontal return duct.
 See Installer's Guide for more information.

⑦ BAYABRD001C is required when ordering field installed accessories Clogged Filter Switch (BAYDFPS003A), Fan Fail Switch (BAYDFPS004A), Discharge Air Sensing Kit (BAYTUBE004A or BAYTUBE005A) or Evaporator Defrost Control (Frostat) (BAYLOAM020B) unless the following options are factory installed: Frostat, Smoke Detector, Clogged Filter Switch, Fan Failure Switch, Discharge Air Sensing Kit. These factory installed options include the ReliaTel™ Options Module.
 ⑧ Electromechanical controlled units only.
 ⑨ Interface allows 3-10 ton units with ReliaTel™ Controls to communicate with Tracer 100, Tracker, VariTrac II, and is the preferred method of communication to Tracer Summit.

⑩ Power Exhaust cannot be used with Barometric Relief. Order Economizer without Barometric Relief.
 ⑪ Quantity 2 required for Y*C092-120A.
 ⑫ For use with ReliaTel™ controlled units only.
 ⑬ Interface allows a unit with ReliaTel™ Controls to communicate as a Trane LonTalk device or directly with generic LonTalk Network BAS Controls.



3 — 10 Ton
YSC036 - 120A
YHC036 - 120A

Precedent™
Convertible Pkg.
Gas/Electric

Zone Sensors for ReliaTel™ Controlled Units:

Model Number	Description	Used with	Mfg. Plant	Shipping Weight
BAYSENS006B	Single Setpoint Manual Changeover	Y*C036-120A_R	CK/001	1
BAYSENS008B	Dual Setpoint Manual or Auto Changeover	Y*C036-120A_R	CK/001	1
BAYSENS010B	Dual Setpoint Man. or Auto Changeover with System Function Lights	Y*C036-120A_R	CK/001	1
BAYSENS019C	Programmable Night Setback w/System Function Lights	Y*C036-120A_R	CK/001	1
BAYSENS013C ^①	Room Sensor w/ Override and Cancel Buttons	Y*C036-120A_R	CK/001	1
BAYSENS014C ^①	Room Sensor w/ Temp. Adjustment with Override and Cancel Buttons	Y*C036-120A_R	CK/001	1
BAYSENS017B	Remote Room Sensor	BAYSENS006B, 008B, 010B, & 019C	CK/001	1
BAYSENS032A ^③	Dual Thermistor Remote Zone Sensor	Y*C036-120A_R	CK/001	1
BAYSENS035A ^③	Digital Display Zone Sensor	Y*C036-120A_R	CK/001	1
BAYSENS036A	Wall-Mounted Humidity Zone Sensor	YHC036_120A_R	CK/001	1
BAYSENS037A	Duct-Mounted Humidity Zone Sensor	YHC036_120A_R	CK/001	1
BAYMTPL003B	Retrofit Wall Cover Plate Kit 7.25" x 6.0"	BAYSENS019C	CK/001	1
BAYMTPL004B	Retrofit Wall Cover Plate Kit 4.75" x 4.75"	BAYSENS006,008,10B 013,014C & 017B	CK/001	1

^① Used with Integrated Comfort™ Systems, any unit type. These sensors do not work with TCM. Consult BASD Marketing for them.

^② See Accessory IOM for operational characteristics.

^③ Functional only with ReliaTel™ controls.

* Either standard or high efficiency models

Thermostats:

Model Number	Description	Used with	Mfg. Plant	Shipping Weight
BAYSTAT040A ^{①③}	Programmable Thermostat	Y*C036-120A	CK/001	1
BAYBASE008A	Subbase 1-Stage Htg./Clg.	BAYSTAT040A	CK/001	1
BAYBASE006A	Subbase 2-Stage Htg./Clg.	BAYSTAT040A	CK/001	1
BAYSENS033A	Remote Wall Sensor	BAYSTAT040A	CK/001	1
BAYSENS034A	Remote Duct Sensor	BAYSTAT040A	CK/001	1
TCONT200AN11AA	Electronic, 1Htg/1Clg (Non Prog.)	All Cooling/(Gas or Elec)	TY	1
BAY28X190 ^②	Locking Thermostat Cover for up to 4 units	Room Thermostats	TY	1
BAYSTAT050A	2Htg/2Clg Digital Display Programmable Thermostat	Y*C036-120A_R	CK/001	1
BAYSTAT051A	1Htg/1Clg Digital Display Thermostat	Y*C036-060A_R	CK/001	1
BAYSTAT052A	2Htg/2Clg Digital Display Programmable "TOUCHSCREEN" Thermostat	Y*C036-120A_R	CK/001	1
BAYSTAT053A	3Htg/2Clg Digital Display Programmable Thermostat with Relative Humidity Sensing Built-In	Y*C036-120A_R (with Dehumidification Option)	CK/001	1
BAYSTAT055A	3Htg/2Clg Digital Display Thermostat	Y*C036-120A_R	CK/001	1
BAYSTAT059A	Return Air Remote Sensor	BAYSTAT050A,051A, 052A,053A	CK/001	1
BAYSTAT060A	Wall Mounted Remote Sensor	BAYSTAT050A,051A, 052A,053A	CK/001	1

^① Requires use of subbase BAYBASE006A or BAYBASE008A.

^② Do not use with Programmable Thermostats.

^③ Thermostat does not include fan or system switches.

* Either standard or high efficiency models.



Model Nomenclature

Precedent™ Convertible Pkg. Gas/Electric

Y **H** **C** **033** **A** **3** **R** **L** **A** ****** **C** **0** **0** **0** **C** **1** **0** **0** **0** **1** **A** **1**
 1 2 3 4,5,6 7 8 9 10 11 12,13 14 15 16 17 18 19 20 21 22 23 24 25

DIGIT 1 - Unit Function

Y = DX Cooling, Gas Heat

DIGIT 2 - Efficiency

H = High Efficiency

DIGIT 3 - Airflow

C = Convertible

DIGITS 4,5,6 - Nominal Gross Cooling Capacity (MBh)

033 = 3 Ton
 043 = 4 Ton
 063 = 5 Ton

DIGIT 7 - Major Design Sequence

A = R-22 Refrigerant

DIGIT 8 - Unit Voltage

3 = 208-230/60/3
 4 = 460/60/3
 W = 575/60/3

DIGIT 9 - Unit Controls

E = Electro-Mechanical
 R = ReliaTel™ Micro-processor

DIGIT 10 - Heating Capacity

L = Low
 M = Medium
 H = High
 X = Low, Stainless Steel Heat Exchanger
 Y = Medium, Stainless Steel Heat Exchanger
 Z = High, Stainless Steel Heat Exchanger

DIGIT 11 - Minor Design Sequence

A = First Sequence

DIGIT 12,13 - Service Sequence

** = Factory Assigned

DIGIT 14 - Fresh Air Selection

0 = No Fresh Air
 A = Manual Outside Air Damper 0-50%
 B = Motorized Outside Air Damper 0-50%
 C = Economizer, Dry Bulb 0-100% without Barometric Relief
 D = Economizer, Dry Bulb 0-100% with Barometric Relief
 E = Economizer, Reference Enthalpy 0-100% without Barometric Relief
 F = Economizer, Reference Enthalpy 0-100% with Barometric Relief
 G = Economizer, Comparative Enthalpy 0-100% without Barometric Relief
 H = Economizer, Comparative Enthalpy 0-100% with Barometric Relief

DIGIT 15 - Supply Fan/Drive Type/Motor

0 = Standard Belt Drive

DIGIT 16 - Hinged Service Access & Filters

0 = Standard Panels & Filters
 A = Hinged Access Panels & Standard Filters
 B = Standard Panels & 2" Pleated Filters
 C = Hinged Access Panels & 2" Pleated Filters

DIGIT 17 - Condenser Coil Protection

0 = Standard Coil
 1 = Standard Coil with Hail Guard
 2 = Epoxy Coated Condenser Coil
 3 = Epoxy Coated Condenser Coil with Hail Guard
 4 = CompleteCoat™ Condenser Coil
 5 = CompleteCoat™ Condenser Coil with Hail Guard

DIGIT 18 - Through the Base Provisions

0 = No Through the Base Provisions
 A = Through the Base Electric
 B = Through the Base Gas Piping
 C = Through the Base Electric and Gas Piping

DIGIT 19 - Disconnect/Circuit Breaker Phase Monitor (3 phase only)

0 = No Disconnect, Circuit Breaker or Phase Monitor
 1 = Unit Mounted Non-Fused Disconnect
 2 = Unit Mounted Circuit Breaker
 3 = Phase Monitor
 4 = Phase Monitor and Non-Fused Disconnect Switch
 5 = Phase Monitor and Circuit Breaker

DIGIT 20 - Convenience Outlet

0 = No Convenience Outlet
 A = Unpowered Convenience Outlet
 B = Powered Convenience Outlet (3 phase only)

DIGIT 21 - Communications Options

0 = No Communications Interface
 1 = Trane Communications Interface
 2 = LonTalk® Communications Interface

3 = Novar 2024 Controls

4 = Novar 3051 Controls

DIGIT 22 - Refrigeration System Option

0 = Standard Refrigeration Coil
 B = Dehumidification (Hot Gas Reheat Coil)

DIGIT 23 - Refrigeration Controls

0 = No Refrigeration Control
 1 = High Pressure Control
 2 = Frostat
 3 = Crankcase Heater
 4 = High Pressure Control and Frostat
 5 = High Pressure Control and Crankcase Heater
 6 = Frostat and Crankcase Heater
 7 = High Pressure Control, Frostat and Crankcase Heater

DIGIT 24 - Smoke Detector

0 = No Smoke Detector
 A = Return Air Smoke Detector
 B = Supply Air Smoke Detector
 C = Supply and Return Air Smoke Detectors

DIGIT 25 - Monitoring Controls

0 = No Monitoring Control
 1 = Clogged Filter Switch
 2 = Fan Failure Switch
 3 = Discharge Air Sensing Tube
 4 = Clogged Filter Switch and Fan Fail Switch
 5 = Clogged Filter Switch and Discharge Air Sensing Tube
 6 = Fan Fail Switch and Discharge Air Sensing Tube
 7 = Clogged Filter and Fan Fail Switches and Discharge Air Sensing Tube
 8 = Novar Return Air Sensor

Example:

Model number YHC033A3RLA**C000C10001A10 describes a unit with the following characteristics: DX Cooling with natural gas heating, 3 ton nominal cooling capacity, 208-230/60/3 power supply, ReliaTel™ controls, low heat model. 0-100% dry bulb economizer without barometric relief, standard belt drive motor, standard access panels, standard condenser coil with no coil protection, through the base electric and gas access, non-fused disconnect, no convenience outlet or communications interface, standard refrigeration coil, high pressure control, return air smoke detector, and clogged filter switch.



3 — 5 Ton YHC033-063A

Precedent™ Convertible Pkg. Gas/Electric

Table 1 — Main Assembly — 13 SEER High Efficiency (Digits 1-8 & Digit 10)

Model Number	Power Supply	Gross Capacity Cooling (BTUH)	Capacity Heating Output (BTUH)	SEER	Uncrated Dimensions (in.)			Mfg. Plant	Shipping Weight
					H	W	L		
10th Digit = Low Heat, Standard Heat Exchanger									
YHC033A3*L	208-230/60/3	38,000	48,000	13.0	32	43	69	LH	620
YHC043A3*L	208-230/60/3	49,800	48,000	13.0	32	43	69	LH	662
YHC063A3*L	208-230/60/3	62,400	48,000	13.0	36	43	69	LH	697
YHC033A4*L	460/60/3	38,000	48,000	13.0	32	43	69	LH	620
YHC043A4*L	460/60/3	49,800	48,000	13.0	32	43	69	LH	662
YHC063A4*L	460/60/3	62,400	48,000	13.0	36	43	69	LH	697
YHC033AW*L	575/60/3	38,000	48,000	13.0	36	43	69	LH	620
YHC043AW*L	575/60/3	49,800	48,000	13.0	36	43	69	LH	662
YHC063AW*L	575/60/3	62,400	48,000	13.0	36	43	69	LH	697
10th Digit = Medium Heat, Standard Heat Exchanger									
YHC033A3*M	208-230/60/3	38,000	64,000	13.0	32	43	69	LH	620
YHC043A3*M	208-230/60/3	49,800	64,000	13.0	32	43	69	LH	662
YHC063A3*M	208-230/60/3	62,400	64,000	13.0	36	43	69	LH	697
YHC033A4*M	460/60/3	38,000	64,000	13.0	32	43	69	LH	620
YHC043A4*M	460/60/3	49,800	64,000	13.0	32	43	69	LH	662
YHC063A4*M	460/60/3	62,400	64,000	13.0	36	43	69	LH	697
YHC033AW*M	575/60/3	38,000	64,000	13.0	36	43	69	LH	620
YHC043AW*M	575/60/3	49,800	64,000	13.0	36	43	69	LH	662
YHC063AW*M	575/60/3	62,400	64,000	13.0	36	43	69	LH	697
10th Digit = High Heat, Standard Heat Exchanger									
YHC033A3*H	208-230/60/3	38,000	96,000	13.0	32	43	69	LH	620
YHC043A3*H	208-230/60/3	49,800	96,000	13.0	32	43	69	LH	662
YHC063A3*H	208-230/60/3	62,400	104,000	13.0	36	43	69	LH	697
YHC033A4*H	460/60/3	38,000	96,000	13.0	32	43	69	LH	620
YHC043A4*H	460/60/3	49,800	96,000	13.0	32	43	69	LH	662
YHC063A4*H	460/60/3	62,400	104,000	13.0	36	43	69	LH	697
YHC033AW*H	575/60/3	38,000	96,000	13.0	36	43	69	LH	620
YHC043AW*H	575/60/3	49,800	96,000	13.0	36	43	69	LH	662
YHC063AW*H	575/60/3	62,400	104,000	13.0	36	43	69	LH	697



3 — 5 Ton
YHC033-063A

**Precedent™
Convertible Pkg.
Gas/Electric**

Table 2 — Unit Controls (Digit 9)

Tons	Electromechanical (E)	ReliaTel™ (R)
3	\$ Included	
4	\$ Included	
5	\$ Included	

Table 3 — Gas Heat Option, Stainless Steel Heat Exchanger (Digit 10)

Tons	Low (X)	Medium (Y)	High (Z)
3			
4			
5			
6			
7.5			
8.5			
10			

Table 4 — Fresh Air Selection (Digit 14)

Tons	0-50% ^③ Manual OA Damper (A)	0-50% Motorized OA Damper (B)	0-100% ^② Economizer Dry Bulb without Barometric Relief (C)	0-100% ^② Economizer Dry Bulb with Barometric Relief (D)
3				
4				
5				

Table 4 — (Continued) Fresh Air Selection (Digit 14)

Tons	0-100% ^{①②} Economizer Reference Enthalpy without Barometric Relief (E)	0-100% ^{①②} Economizer Reference Enthalpy with Barometric Relief (F)	0-100% ^{①②} Economizer Comparative Enthalpy without Barometric Relief (G)	0-100% ^{①②} Economizer Comparative Enthalpy With Barometric Relief (H)
3				
4				
5				

① Not available with electromechanical unit controls.

② Economizer with Barometric Relief is for downflow configured units only. Order Economizer without Barometric Relief for horizontal configuration. Barometric relief for horizontal configured units must be ordered as field installed accessory BAYBARM010A.

③ The Manual Outside Air Damper will ship factory supplied within the unit, but must be field installed.

Table 5 — Supply Fan Drive Type/Motor (Digit 15)

Tons	Standard ^① Motor (0)
3	Belt Drive
4	Belt Drive
5	Belt Drive

① 3-5 ton standard motor is belt drive.

Table 6 — Hinged Service Access & Filters (Digit 16)

Tons	Standard Panels & Filters (0)	Hinged Access Panels & Standard Filters (A)	Standard Panels & 2" Pleated Filters (B)	Hinged Access Panels & 2" Pleated Filters (C)
3	\$ Included			
4	\$ Included			
5	\$ Included			



3 — 5 Ton
YHC033-063A

**Precedent™
Convertible Pkg.
Gas/Electric**

Table 7 — Condenser Coil Protection (Digit 17)

Tons	Standard Coil (0)	Standard Coil with Hail Guard(1)	Epoxy Coated Condenser Coil (2)	Epoxy Coated Condenser Coil with Hail Guard (3)
3	\$ Included			
4	\$ Included			
5	\$ Included			

Table 7 — (Continued) Condenser Coil Protection (Digit 17)

Tons	CompleteCoat™ Condenser Coil (4)	CompleteCoat™ Condenser Coil with Hail Guard (5)
3		
4		
5		

Table 8 — Through the Base Provisions (Digit 18)

Tons	Through the Base Electric (A)	Through the Base Gas ^① (B)	Through the Base Gas ^① and Electric (C)
3			
4			
5			

① Through the Base Gas Opening is standard. This option adds gas piping and shutoff (field assembly required).

Table 9 — Disconnect/Circuit Breaker/Phase Monitor^{①②③} (Digit 19)

Tons	Unit Mounted Non-Fused Disconnect Switch (1)	Unit Mounted Circuit Breaker (2)	Phase Monitor (3)	Phase Monitor & Non-Fused Disconnect Switch (4)	Phase Monitor & Circuit Breaker (5)
3					
4					
5					

① Disconnect/Circuit Breaker/Phase Monitor is available for 3 phase models only.

② Must order Through the Base option when ordering disconnect or Breaker.

③ Phase Monitor is available with ReliaTel™ models only.

Table 10 — Convenience Outlet (Digit 20)

Tons	Unpowered Convenience Outlet (A)	Powered ^{①②} Convenience Outlet (B)
3		
4		
5		

① Powered Convenience Outlet Option is available for 3 phase models only.

② Requires use of Disconnect or Circuit Breaker.

Table 11 — Communications Options (Digit 21) ①

Tons	Comm-3/4 Trane Communications Interface (1)	LonTalk Communications Interface (2)	Novar 2024 Controls (3)	Novar 3051 Controls (4)
3				
4				
5				

① Not Available with Electromechanical Controls.



3 — 5 Ton
YHC033-063A

**Precedent™
Convertible Pkg.
Gas/Electric**

Table 12 — Refrigeration System Control (Digit 22)

Tons	Standard ^① Refrigeration System Control (0)	Dehumidification (Hot Gas Reheat Coil) ^{②③④⑤⑥} (B)
3	\$ Included	
4	\$ Included	
5	\$ Included	

- ① Standard Refrigeration Metering Device - TXV.
- ② Not available on standard efficiency models, single phase units or with electromechanical controls.
- ③ Crankcase heaters, TXV's, Froststat™, high and low pressure switches, face-split evaporator coil and 2" pleated filters standard with this option.
- ④ Belt drive standard. Do not select Digit 15=2 (Optional Drive Motor).
- ⑤ Not available on heat pumps.
- ⑥ Requires selection of 2" Pleated Filters (Option B or C) under Digit 16.

Table 13 — Refrigeration Controls (Digit 23)

Tons	High Pressure Control ^{①③④} (1)	Froststat ^② (2)	Crankcase Heater (3)	High Pressure Control ^{①③④} and Froststat (4)	High Pressure Control ^{①③④} and Crankcase Heater (5)
3	Included				
4	Included				
5	Included				

Table 13 — (Continued) Refrigeration Controls^① (Digit 23)

Tons	Froststat ^② and Crankcase Heater (6)	High Pressure Control ^{①③④} , Froststat and Crankcase Heater (7)
3		
4		
5		

- ① Not available with Electromechanical Controls.
- ② Froststat cannot be field installed in electromechanical units.
- ③ High Pressure Control is standard on 3 phase units with scroll compressors.
- ④ High Pressure Control is standard on all three-phase models.

Table 14 — Smoke Detector (Digit 24) ^{①②③}

Tons	Return Air Smoke Detector ^① (A)	Supply Air Smoke Detector (B)	Supply and Return Air Smoke Detector ^④ (C)
3			
4			
5			

- ① Not available with Electromechanical Controls.
- ② Cannot be used with BAYFRST001A High Temperature Stat accessory.
- ③ The return air smoke detector may not fit up or work properly on the Precedent units when used in conjunction with 3rd party accessories (such as bolt on heat wheels, economizers, and power exhaust). Do not order the return air smoke detectors when using this type of accessory.
- ④ Return Air Smoke Detector cannot be ordered with Novar Controls.



3 — 5 Ton
YHC033-063A

**Precedent™
Convertible Pkg.
Gas/Electric**

Table 15 — Monitoring Controls (Digit 25) ①

Tons	Clogged Filter Switch ^② (1)	Fan Failure Switch ^② (2)	Discharge Air Sensing Tube ^② (3)	Clogged Filter Switch and Fan Fail Switch ^② (4)
3				
4				
5				

Table 15 — (Continued) Monitoring Controls (Digit 25) ①

Tons	Clogged Filter Switch and Discharge Air Sensing Tube ^{②④} (5)	Fan Fail Switch and Discharge Air Sensing Tube ^{②④} (6)	Clogged Filter and Fan Fail Switches and Discharge Air Sensing Tube ^{②④} (7)	Novar Return Air Sensor ^③ (8)
3				
4				
5				

① Not available with Electromechanical Controls.

② These options are standard when ordering Novar Controls.

③ This option for use when ordering Novar Control only.

④ Combination of Discharge Air Sensing option, Economizer option and Tracer Summit or Tracker, Version 10 requires use of Tracer™ LCI-R Communications Interface. For jobs requiring true discharge air sensing with Tracer/Tracker COMM-3 or COMM-4, contact Clarksville Light Commercial Marketing Support.



3 — 5 Ton YHC033-063A

Precedent™ Convertible Pkg. Gas/Electric

Accessories:

Model Number	Description	Used With	Mfg. Plant	Shipping Weight
BAYCURB042A ^①	Roof Curb	YHC033-063A	LH	80
BAYQACB009A ^①	Quick Adapt Roof Curb	YHC033-063A	LH	100
BAYQACB010A ^①	Quick Adapt Roof Curb	YHC033-063A	LH	120
BAYECON085A ^②	0-100% Dry Bulb Economizer without Barometric Relief	YHC033-063A_R	LH	40
BAYECON086A ^③	0-100% Dry Bulb Economizer without Barometric Relief	YHC033-063A_E	LH	40
BAYDMPR051A ^②	0-50% Motorized Outside Air Damper	YHC033-063A_R	LH	30
BAYDMPR052A ^③	0-50% Motorized Outside Air Damper	YHC033-063A_E	LH	30
BAYDMPR053B	0-50% Manual Outside Air Damper	YHC033-063A	LH	25
BAYGARD036B	Tool-less Condenser Coil Hail Guard	YHC033, 043A	LH	10
BAYGARD037B	Tool-less Condenser Coil Hail Guard	YHC063A	LH	10
BAYABRD001C	ReliaTel™ Options Module	See Note ^⑦	LH	2
BAYBARM010A ^⑦	Barometric Relief	YHC033-063A	LH	20
BAYCO2K001B	CO ₂ Sensor Kit, Wall Mounted	YHC033-063A_R W/Econ.	LH	3
BAYCO2K003B	CO ₂ Sensor Kit, Duct Mounted	YHC033-063A_R W/Econ.	LH	3.5
BAYCCHT010B	Crankcase Heater	YHC033-063A, A3	LH	2
BAYCCHT011B	Crankcase Heater	YHC033-063A4,AW	LH	2
BAYSTAT023 ^④	Remote Potentiometer	BAYECON085A,087A	CK/001	1
BAYSERV001A ^①	Selective Resistance Service Tester	YHC033-063A_R	LH	2
BAYSENS016A ^①	Temperature Sensor	YHC033-063A_R	LH	1
BAYFRST001A ^{④③}	High Temperature Stat	YHC033-063A_R	CK/001	2
BAYLPKT028B	LP Conversion Kit	YHC033-063A	LH	5
BAYENTH005A ^{①④}	Reference Enthalpy Kit	BAYECON085A,087A	LH	1
BAYENTH006B ^{①④}	Comparative Enthalpy Kit	BAYECON085A,087A	LH	1
BAYENTH001A	Enthalpy Control (Solid State)	BAYECON0086A,088A	CK/001	2
BAYDFPS003B ^{①⑧}	Clogged Filter Switch	YHC033-063A_R	LH	1
BAYDFPS004A ^{①⑧}	Fan Failure Switch	YHC033-063A_R	LH	1
BAYTUBE005A ^{①⑥⑧}	Discharge Air Sensing Kit	YHC033-063A_R	LH	1
BAYICSI003A ^{①⑨}	Comm-3/4 Trane Communications Interface	YHC033-063A_R	LH	1
BAYLTCI002B ^{①⑩}	Comm-3/4 LonTalk Communications Interface	YHC033-063A_R	LH	1
BAYASCT001 ^③	Anti-Short-Cycle Timer	YHC033-063A_E	CK/001	1
BAYLOAM020B ^{①⑤⑥}	Evaporator Defrost Control (Frostat)	YHC033-063A_R	LH	3
BAYLSDR006A ^⑩	Low Static Drive Kit	YHC033A, 3, 4, WR	LH	2
BAYLSDR007A ^⑩	Low Static Drive Kit	YHC043A, 3, 4, WR	LH	2
BAYLSDR008A ^⑩	Low Static Drive Kit	YHC063A, 3, 4, WR	LH	2
BAYVNOR001B ^⑩	Ventilation Override Kit	YHC033-063A*R W/ReliaTel™ Options Module	LH	2.5

① Lynn Haven Manufacturing has a No-Return policy for this roof curb.

② For use with ReliaTel™ controlled units only

③ For use with electromechanical controlled units only.

④ Kits contain all necessary parts to achieve desired level of enthalpy control.

⑤ For ReliaTel™ microprocessor controlled units only. Must be factory installed for electromechanical controlled units

⑥ Used for true discharge air sensing in both heating and cooling. Required for supply air tempering.

⑦ Barometric Relief accessory installs in ductwork for horizontal configuration. For downflow configuration, installs in the unit's horizontal return duct. See Installer's Guide for complete instructions.

⑧ BAYABRD001C is required when ordering field installed accessories Clogged Filter Switch (BAYDFPS003A), Fan Fail Switch (BAYDFPS004A), Discharge Air Sensing Kit (BAYTUBE004A) or Evaporator Defrost Control (Frostat) (BAYLOAM020B) unless the following options are factory installed: Frostat, Smoke Detector, Clogged Filter Switch, Fan Failure Switch, Discharge Air Sensing Kit. These factory installed options include the ReliaTel™ Options Module.

⑨ Interface allows a unit with ReliaTel™ Controls to communicate with Tracer 100, Tracker, VariTrac II, and is the preferred method of communication to Tracer Summit.

⑩ Interface allows a unit with ReliaTel™ Controls to communicate as a Trane LonTalk device or directly with generic LonTalk Network BAS Controls.

⑪ Available for Cooling Units only



3 — 5 Ton YHC033-063A

Precedent™ Convertible Pkg. Gas/Electric

Zone Sensors for ReliaTel™ Controlled Units:

Model Number	Description	Used with	Mfg. Plant	Shipping Weight
BAYSENS006B	Single Setpoint Manual Changeover	YHC033-063A_R	CK/001	1
BAYSENS008B	Dual Setpoint Manual or Auto Changeover	YHC033-063A_R	CK/001	1
BAYSENS010B	Dual Setpoint Man. or Auto Changeover with System Function Lights	YHC033-063A_R	CK/001	1
BAYSENS019C③	Programmable Night Setback w/System Function Lights	YHC033-063A_R	CK/001	1
BAYSENS013C①	Room Sensor w/ Override and Cancel Buttons	YHC033-063A_R	CK/001	1
BAYSENS014C①	Room Sensor w/ Temp. Adjustment with Override and Cancel Buttons	YHC033-063A_R	CK/001	1
BAYSENS017B	Remote Room Sensor	BAYSENS006B,008B,010B, & 019C	CK/001	1
BAYSENS032A③	Dual Thermistor Remote Zone Sensor	YHC033-063A_R	CK/001	1
BAYSENS035A③	Digital Display Zone Sensor	YHC033-063A_R	CK/001	1
BAYSENS036A	Wall-Mounted Humidity Zone Sensor	YHC033-063A_R	CK/001	1
BAYSENS037A	Duct-Mounted Humidity Zone Sensor	YHC033-063A_R	CK/001	1
BAYMTPL003B	Retrofit Wall Cover Plate Kit 7.25" x 6.0"	BAYSENS019C	CK/001	1
BAYMTPL004B	Retrofit Wall Cover Plate Kit 4.75" x 4.75"	BAYSENS006,008010B,013,014C,017B	CK/001	1

① Used with Integrated Comfort™ Systems, any unit type. These sensors do not work with TCM. Consult BASD Marketing for them.

② See Accessory IOM for operational characteristics.

③ Functional only with ReliaTel™ controls.

* Either standard or high efficiency models

Thermostats:

Model Number	Description	Used with	Mfg. Plant	Shipping Weight
BAYSTAT040A②④	Programmable Thermostat	YHC033-063A	CK/001	1
BAYBASE008A	Subbase 1-Stage Htg./Clg.	BAYSTAT040A	CK/001	1
BAYBASE006A	Subbase 2-Stage Htg./Clg.	BAYSTAT040A	CK/001	1
BAYSENS033A	Remote Wall Sensor	BAYSTAT040A	CK/001	1
BAYSENS034A	Remote Duct Sensor	BAYSTAT040A	CK/001	1
TCONT200AN11AA	Electronic, 1Htg/1Clg (Non Prog.)	All Cooling/(Gas or Elec)	TY	1
BAY28X190③	Locking Thermostat Cover for up to 4 units	Room Thermostats	TY	1
BAY24X042	DPDT Fan and Electric Heat Relay	BAYSTAT051,052	TY	1
BAYSTAT050A	2Htg/2Clg Digital Display Programmable Thermostat	YHC033-063A_R	CK/001	1
BAYSTAT051A	1Htg/1Clg Digital Display Thermostat	YHC033-063A_R	CK/001	1
BAYSTAT052A	2Htg/2Clg Digital Display Programmable "TOUCHSCREEN" Thermostat	YHC033-063A_R	CK/001	1
BAYSTAT053A	3Htg/2Clg Digital Display Programmable Thermostat with Relative Humidity Sensing Built-In	YHC033-063A_R (with Dehumidification Option)	CK/001	1
BAYSTAT055A	3Htg/2Clg Digital Display Thermostat	YHC033-063A_R	CK/001	1
BAYSTAT059A	Return Air Remote Sensor	BAYSTAT050A,051A,052A,053A	CK/001	1
BAYSTAT060A	Wall Mounted Remote Sensor	BAYSTAT050A,051A052A,053A	CK/001	1

① Requires DPDT Fan and Electric Heat Relay BAY24x042 when using electric heat.

② Requires use of subbase BAYBASE006A or BAYBASE008A.

③ Do not use with programmable thermostats.

④ Thermostat does not include fan or system switches.



Model Nomenclature

Precedent™ Convertible Pkg. Gas/Electric R-410A

Y S C 036 E 3 R B A ** C 0 0 0 A 1 0 0 0 1 A 1
 1 2 3 4,5,6 7 8 9 10 11 12,13 14 15 16 17 18 19 20 21 22 23 24 25

DIGIT 1 - Unit Function

Y = DX Cooling

DIGIT 2 - Efficiency

S = Standard Efficiency (13 SEER R-410A)

DIGIT 3 - Airflow

C = Convertible

DIGITS 4,5,6 - Nominal Gross Cooling Capacity (MBh)

036 = 3 Ton

046 = 4 Ton

060 = 5 Ton

DIGIT 7 - Major Design Sequence

E = R-410A Refrigerant

DIGIT 8 - Unit Voltage

1 = 208-230/60/1

3 = 208-230/60/3

4 = 460/60/3

W = 575/60/3

DIGIT 9 - Unit Controls

E = Electromechanical^①

R = ReliaTel™ Microprocessor

DIGIT 10 - Heating Capacity

Note: (Applicable to Digit 1, Y models only)

L = Low

M = Medium

H = High

X = Low, Stainless Steel Heat Exchanger

Y = Medium, Stainless Steel Heat Exchanger

Z = High, Stainless Steel Heat Exchanger

DIGIT 11 - Minor Design Sequence

A = First Sequence

DIGITS 12, 13 - Service Sequence

** = Factory Assigned

DIGIT 14 - Fresh Air Selection

0 = No Fresh Air

A = Manual Outside Air Damper 0-50%^②

B = Motorized Outside Air Damper 0-50%

C = Economizer, Dry Bulb 0-100% without Barometric Relief^③

D = Economizer, Dry Bulb 0-100% with Barometric Relief^③

E = Economizer, Reference Enthalpy 0-100% without Barometric Relief^{③④}

F = Economizer, Reference Enthalpy 0-100% with Barometric Relief^{③④}

G = Economizer, Comparative Enthalpy 0-100% without Barometric Relief^{③④}

H = Economizer, Comparative Enthalpy 0-100% with Barometric Relief^{③④}

DIGIT 15 - Supply Fan/Drive Type/Motor

0 = Standard Drive^⑤

DIGIT 16 - Hinged Service Access/Filters

0 = Standard Panels/Standard Filters

A = Hinged Access Panels/Standard Filters

B = Standard Panels/2" Pleated Filters

C = Hinged Access Panels/2" Pleated Filters

DIGIT 17 - Condenser Coil Protection

0 = Standard Coil

1 = Standard Coil with Hail Guard

2 = Epoxy Coated Condenser Coil

3 = Epoxy Coated Condenser Coil with Hail Guard

4 = CompleteCoat™ Condenser Coil

5 = CompleteCoat™ Condenser Coil with Hail Guard

DIGIT 18 - Through the Base Provisions

Note: (Applicable to Digit 1, Y models only)

0 = No Through the Base Provisions

A = Through the Base Electric^⑥

Note: (Applicable to Digit 1, Y models only)

B = Through the Base Gas Piping

C = Through the Base Electric and Gas Piping^⑥

DIGIT 19 - Disconnect/Circuit Breaker/Phase Monitor (3 phase only)

0 = No Disconnect/No Circuit Breaker/No Phase Monitor

1 = Unit Mounted Non-Fused Disconnect^⑦

2 = Unit Mounted Circuit Breaker^⑦

3 = Phase Monitor

4 = Phase Monitor & Non-Fused Disconnect Switch

5 = Phase Monitor & Circuit Breaker

DIGIT 20 - Convenience Outlet

0 = No Convenience Outlet

A = Unpowered Convenience Outlet

B = Powered Convenience Outlet (3 phase only)^⑧

DIGIT 21 - Communications Options^④

0 = No Communications Interface

1 = Trane Communications Interface

2 = LonTalk® Communications Interface

3 = Novar 2024 Controls^⑨

4 = Novar 3051 Controls^⑨

DIGIT 22 - Refrigeration System Option

0 = Standard Refrigeration Coil^⑩

B = Dehumidification (Hot Gas Reheat Coil)^{⑩⑪⑫}

DIGIT 23 - Refrigeration Controls

0 = No Refrigeration Control^⑬

1 = Froststat^⑬

2 = Crankcase Heater^⑬

3 = Froststat^⑬ and Crankcase Heater

DIGIT 24 - Smoke Detector^{⑭⑮}

0 = No Smoke Detector

A = Return Air Smoke Detector^{⑭⑮}

B = Supply Air Smoke Detector

C = Supply and Return Air Smoke Detectors^{⑭⑮}

DIGIT 25 - Monitoring Controls^⑯

0 = No Monitoring Control^⑯

1 = Clogged Filter Switch^⑯

2 = Fan Failure Switch^⑯

3 = Discharge Air Sensing Tube^⑯

4 = Clogged Filter Switch and Fan Fail Switch^⑯

5 = Clogged Filter Switch and Discharge Air Sensing Tube^⑯

6 = Fan Fail Switch and Discharge Air Sensing Tube^⑯

7 = Clogged Filter and Fan Fail Switches and Discharge Air Sensing Tube^⑯

8 = Novar Return Air Sensor^⑯

Explanation of Model Number Notes 1-19 follow. Unless otherwise noted, feature available for all Y models, tonnages and phases.

^① Not available for 3-5 ton, R-410A Heat Pumps.

^② Standard on 4 ton, 3 phase Heat Pumps and 5 ton Heat Pumps.

^③ Available for R-22 units only.

^④ Not available with electromechanical controls.

^⑤ Manual outside air damper will ship factory supplied within the unit, but must be field installed.

^⑥ High pressure control is standard on all units.

^⑦ Multispeed direct drive standard on 1 phase. Belt drive standard on 3 phase.

^⑧ Requires selection of 2" pleated filters

^⑨ Economizer with Barometric Relief is for downflow configured units only. Order Economizer without Barometric Relief for horizontal configuration. Barometric Relief for horizontal configured units must be ordered as field installed accessory.

^⑩ Through the base electric required when ordering disconnect/circuit breaker options.

^⑪ Requires use of Disconnect or Circuit Breaker.

^⑫ Standard metering devices are TXVs.

^⑬ Froststat cannot be field installed in electro-mechanical units.

^⑭ The return air smoke detector may not fit up or work properly on the Precedent units when used in conjunction with 3rd party accessories such as bolt on heat wheels, economizers and power exhaust. Do not order the return air smoke detectors when using this type of accessory.

^⑮ Return air smoke detector cannot be ordered with Novar Controls.

^⑯ These options are standard when ordering Novar Controls.

^⑰ This option is used when ordering Novar Controls.

^⑱ Includes gas piping and shutoff (field assembly required).

^⑲ Not available with high temperature stat accessory.

Example:

Model number YSC036E3RBA**C000A10001A1 describes a unit with the following characteristics: DX Cooling, 3 ton nominal cooling capacity, 208-230/60/3 power supply, ReliaTel™ controls, 6 kW electric heater model. 0-100% dry bulb economizer without barometric relief, standard belt drive motor, standard access panels/filters, standard condenser coil with no coil protection, through the base electric, non-fused disconnect, no convenience outlet or communications interface, standard refrigeration coil, high pressure control, return air smoke detector, and clogged filter switch.



3 — 5 Ton YSC036-060E

Precedent™ Convertible Pkg. Gas/Electric R-410A

Table 1 — Main Assembly — 3-5 Ton Standard Efficiency (Digits 1-8 & Digit 10)

Model Number	Power Supply	Gross Capacity Cooling (BTUH)	Capacity Heating Output (BTUH)	SEER	Uncrated Dimensions (in.)			Mfg. Plant	Shipping Weight
					H	W	L		
10th Digit = Low Heat, Standard Heat Exchanger									
YSC036E3*L	208-230/60/3	37,150	48,000	13.0	36	43	69	LH	607
YSC048E3*L	208-230/60/3	49,450	48,000	13.0	36	43	69	LH	638
YSC060E3*L	208-230/60/3	62,270	48,000	13.0	36	43	69	LH	688
YSC036E4*L	460/60/3	37,150	48,000	13.0	36	43	69	LH	607
YSC048E4*L	460/60/3	49,450	48,000	13.0	36	43	69	LH	638
YSC060E4*L	460/60/3	62,270	48,000	13.0	36	43	69	LH	688
YSC036EW*L	575/60/3	37,150	48,000	13.0	36	43	69	LH	607
YSC048EW*L	575/60/3	49,450	48,000	13.0	36	43	69	LH	638
YSC060EW*L	575/60/3	62,270	48,000	13.0	36	43	69	LH	688
10th Digit = Medium Heat, Standard Heat Exchanger									
YSC036E3*M	208-230/60/3	37,150	64,000	13.0	36	43	69	LH	607
YSC048E3*M	208-230/60/3	49,450	64,000	13.0	36	43	69	LH	638
YSC060E3*M	208-230/60/3	62,270	64,000	13.0	36	43	69	LH	688
YSC036E4*M	460/60/3	37,150	64,000	13.0	36	43	69	LH	607
YSC048E4*M	460/60/3	49,450	64,000	13.0	36	43	69	LH	638
YSC060E4*M	460/60/3	62,270	64,000	13.0	36	43	69	LH	688
YSC036EW*M	575/60/3	37,150	64,000	13.0	36	43	69	LH	607
YSC048EW*M	575/60/3	49,450	64,000	13.0	36	43	69	LH	638
YSC060EW*M	575/60/3	62,270	64,000	13.0	36	43	69	LH	688
10th Digit = High Heat, Standard Heat Exchanger									
YSC036E3*H	208-230/60/3	37,150	96,000	13.0	36	43	69	LH	607
YSC048E3*H	208-230/60/3	49,450	96,000	13.0	36	43	69	LH	638
YSC060E3*H	208-230/60/3	62,270	104,000	13.0	36	43	69	LH	688
YSC036E4*H	460/60/3	37,150	96,000	13.0	36	43	69	LH	607
YSC048E4*H	460/60/3	49,450	96,000	13.0	36	43	69	LH	638
YSC060E4*H	460/60/3	62,270	104,000	13.0	36	43	69	LH	688
YSC036EW*H	575/60/3	37,150	96,000	13.0	36	43	69	LH	607
YSC048EW*H	575/60/3	49,450	96,000	13.0	36	43	69	LH	638
YSC060EW*H	575/60/3	62,270	104,000	13.0	36	43	69	LH	688



3 — 5 Ton
YSC036-060E

**Precedent™
Convertible Pkg.
Gas/Electric
R-410A**

Table 2 — Unit Controls (Digit 9)

Tons	Electromechanical (E)	ReliaTel™ (R)
3	\$ Included	
4	\$ Included	
5	\$ Included	

Table 3 — Gas Heat Option, Stainless Steel Heat Exchanger (Digit 10)

Tons	Low (X)	Medium (Y)	High (Z)
3			
4			
5			

Table 4 — Fresh Air Selection (Digit 14)

Tons	0-50% ^③ Manual OA Damper (A)	0-50% Motorized OA Damper (B)	0-100% ^② Economizer Dry Bulb without Barometric Relief (C)	0-100% ^② Economizer Dry Bulb with Barometric Relief (D)
3				
4				
5				

Table 4 — (Continued) Fresh Air Selection (Digit 14)

Tons	0-100% ^{①②} Economizer Reference Enthalpy without Barometric Relief (E)	0-100% ^{①②} Economizer Reference Enthalpy with Barometric Relief (F)	0-100% ^{①②} Economizer Comparative Enthalpy without Barometric Relief (G)	0-100% ^{①②} Economizer Comparative Enthalpy With Barometric Relief (H)
3				
4				
5				

① Not available with electromechanical unit controls.

② Economizer with Barometric Relief is for downflow configured units only. Order Economizer without Barometric Relief for horizontal configuration. Barometric relief for horizontal configured units must be ordered as field installed accessory BAYBARM010A.

③ The Manual Outside Air Damper will ship factory supplied within the unit, but must be field installed.

Table 5 — Supply Fan Drive Type/Motor (Digit 15)

Tons	Standard ^① Motor (0)
3	\$ Included
4	\$ Included
5	\$ Included

① 3-5 ton 1 phase standard motor is direct drive, 3-5 ton 3 phase standard motor is belt drive.



3 — 5 Ton
YSC036-060E

**Precedent™
Convertible Pkg.
Gas/Electric
R-410A**

Table 6 — Hinged Service Access & Filters (Digit 16)

Tons	Standard Panels & Filters (0)	Hinged Access Panels & Standard Filters (A)	Standard Panels & 2" Pleated Filters (B)	Hinged Access Panels & 2" Pleated Filters (C)
3	\$ Included			
4	\$ Included			
5	\$ Included			

Table 7 — Condenser Coil Protection (Digit 17)

Tons	Standard Coil (0)	Standard Coil with Hail Guard(1)	Epoxy Coated Condenser Coil (2)	Epoxy Coated Condenser Coil with Hail Guard (3)
3	\$ Included			
4	\$ Included			
5	\$ Included			

Table 7 — (Continued) Condenser Coil Protection (Digit 17)

Tons	CompleteCoat™ Condenser Coil (4)	CompleteCoat™ Condenser Coil with Hail Guard (5)
3		
4		
5		

Table 8 — Through the Base Provisions (Digit 18)

Tons	Through the Base Electric (A)	Through the Base Gas ^① (B)	Through the Base Gas ^① and Electric (C)
3			
4			
5			

① Through the Base Gas Opening is standard. This option adds gas piping and shutoff (field assembly required).

Table 9 — Disconnect/Circuit Breaker/Phase Monitor^{①②③} (Digit 19)

Tons	Unit Mounted Non-Fused Disconnect Switch (1)	Unit Mounted Circuit Breaker (2)	Phase Monitor (3)	Phase Monitor & Non-Fused Disconnect Switch (4)	Phase Monitor & Circuit Breaker (5)
3					
4					
5					

① Disconnect/Circuit Breaker/Phase Monitor is available for 3 phase models only.

② Must order Through the Base option when ordering disconnect or Breaker.

③ Phase Monitor is available with ReliaTel™ models only.

Table 10 — Convenience Outlet (Digit 20)

Tons	Unpowered Convenience Outlet (A)	Powered ^{①②} Convenience Outlet (B)
3		
4		
5		

① Powered Convenience Outlet Option is available for 3 phase models only.

② Requires use of Disconnect or Circuit Breaker.



3 — 5 Ton
YSC036-060E

**Precedent™
Convertible Pkg.
Gas/Electric
R-410A**

Table 11 — Communications Options (Digit 21) ①

	Comm-3/4			
Tons	Trane Communications Interface (1)	LonTalk Communications Interface (2)	Novar 2024 Controls (3)	Novar 3051 Controls (4)
3				
4				
5				

① Not Available with Electromechanical Controls.

Table 12 — Refrigeration System Control (Digit 22)

	Standard① Refrigeration System Control (0)	Dehumidification (Hot Gas Reheat Coil) (B)②
3	\$ Included	
4	\$ Included	
5	\$ Included	

① Standard Refrigeration Metering Device - Thermal Expansion Valve.

② Available for R-22 only

Table 13 — Refrigeration Controls (Digit 23)

	High Pressure Control	Frostat① (1)	Crankcase Heater (2)	Frostat① and Crankcase Heater (3)
3	\$ Included			
4	\$ Included			
5	\$ Included			

① Frostat cannot be field installed in electromechanical units.



3 — 5 Ton
YSC036-060E

**Precedent™
Convertible Pkg.
Gas/Electric
R-410A**

Table 14 — Smoke Detector (Digit 24) ①②③

Tons	Return Air Smoke Detector ^④ (A)	Supply Air Smoke Detector (B)	Supply and Return Air Smoke Detector ^④ (C)
3			
4			
5			

① Not available with Electromechanical Controls.

② Cannot be used with BAYFRST001A High Temperature Stat accessory.

③ The return air smoke detector may not fit up or work properly on the Precedent units when used in conjunction with 3rd party accessories (such as bolt on heat wheels, economizers, and power exhaust). Do not order the return air smoke detectors when using this type of accessory.

④ Return Air Smoke Detector cannot be ordered with Novar Controls.

Table 15 — Monitoring Controls (Digit 25) ①

Tons	Clogged Filter Switch ^② (1)	Fan Failure Switch ^② (2)	Discharge Air Sensing Tube ^② (3)	Clogged Filter Switch and Fan Fail Switch ^② (4)
3				
4				
5				

Table 15 — (Continued) Monitoring Controls (Digit 25) ①

Tons	Clogged Filter Switch and Discharge Air Sensing Tube ^{②④} (5)	Fan Fail Switch and Discharge Air Sensing Tube ^{②④} (6)	Clogged Filter and Fan Fail Switches and Discharge Air Sensing Tube ^{②④} (7)	Novar Return Air Sensor ^③ (8)
3				
4				
5				

① Not available with Electromechanical Controls.

② These options are standard when ordering Novar Controls.

③ This option for use when ordering Novar Control only.

④ Combination of Discharge Air Sensing option, Economizer option and Tracer Summit or Tracker, Version 10 requires use of Tracer™ LCI-R Communications Interface. For jobs requiring true discharge air sensing with Tracer/Tracker COMM-3 or COMM-4, contact Clarksville Light Commercial Product Support.

Accessories:

Model Number	Description	Used With	Mfg. Plant	Shipping Weight
BAYCURB042A ^①	Roof Curb	YSC036-060E	LH	80
BAYQACB009A ^①	Quick Adapt Curb ^③	YSC036-060E ^③	LH	100
BAYQACB010A ^①	Quick Adapt Curb ^③	YSC036-60E ^③	LH	120
BAYECON085A ^②	0-100% Dry Bulb Economizer without Barometric Relief	YSC036-060E_R	LH	40
BAYECON086A ^③	0-100% Dry Bulb Economizer without Barometric Relief	YSC036-060E_E	LH	40
BAYDMPR051A ^②	0-50% Motorized Outside Air Damper	YSC036-060E_R	LH	30
BAYDMPR052A ^③	0-50% Motorized Outside Air Damper	YSC036-060E_E	LH	30
BAYDMPR053B	0-50% Manual Outside Air Damper	YSC036-060E	LH	25
BAYGARD036B	Tool-less Condenser Coil Hail Guard	YSC036,048,060E**L,M YHC036,048E**L,M	LH	10
BAYGARD037B	Tool-less Coil Hail Guard	YSC036,048,060E**H YHC036,048E**H YHC060E**L,M,H	LH	10
BAYABRD001C ^⑦	ReliaTel™ Options Module	See Note ^⑦	LH	1
BAYBARM010A ^④	Barometric Relief	YSC036-060E	LH	20
BAYCO2K001B	CO ₂ Sensor Kit, Wall Mounted	YSC036-060E*R W/Econ. or Motorized OA Damper	LH	3
BAYCO2K003B	CO ₂ Sensor Kit, Duct Mounted	YSC036-060E*R W/Econ. or Motorized OA Damper	LH	3.5
BAYCCHT010B ^⑧	Crankcase Heater	YSC036-0060E3	LH	2
BAYCCHT011B ^⑧	Crankcase Heater	YSC036-0060E4,EW	LH	2
BAYKSKT256A	Quick Start Kit	YSC036E	LH	5
BAYSTAT023 ^⑦	Remote Potentiometer	BAYECON085A	CK/001	1
BAYSERV001A ^⑦	Selective Resistance Service Tester	YSC036-060E_R	LH	2
BAYSENS016A ^⑦	Temperature Sensor	YSC036-060E_R	LH	1
BAYFRST001A ^{⑦⑧}	High Temperature Stat	YSC036-060E_R	CK/001	2
BAYLPKT028B	LP Conversion Kit	YSC036-060E	LH	5
BAYENTH005A ^④	Reference Enthalpy Kit	BAYECON085A	LH	1
BAYENTH006B ^④	Comparative Enthalpy Kit	BAYECON085A	LH	1
BAYENTH001A	Enthalpy Control (Solid State)	BAYECON086A	CK/001	2
BAYDFPS003B ^⑩	Clogged Filter Switch	YSC036-060E_R	LH	1
BAYDFPS004A ^{⑦⑩}	Fan Failure Switch	YSC036-060E_R	LH	1
BAYTUBE004A ^{⑥⑦⑩}	Discharge Air Sensing Kit	YSC036-060E_R	LH	1
BAYICSI003A ^{⑦⑫}	Comm-3/4 Trane Communications Interface	YSC036-060E_R	LH	1
BAYLTCI002B ^{⑭⑮}	LonTalk Communications Interface	YSC036-060E_R	LH	1
BAYASCT001 ^⑪	Anti-Short-Cycle Timer	YSC036-060E_E	FS/200	1
BAYLOAM020B ^{⑤⑩}	Evaporator Defrost Control (Froststat)	YSC036-060E_R	LH	3
BAYHAKT010B	High Altitude Kit	YSC036-060E	LH	2
BAYVNOR001B	Ventilation Override Kit	YSC036-060E*R W/ReliaTel™ Options Module	LH	2.5

① Lynn Haven Manufacturing has a No-Return policy for this roof curb.
 ② For use with ReliaTel™ controlled units only.
 ③ Electromechanical controlled units only.
 ④ Kits contain all necessary parts to achieve desired level of enthalpy control.
 ⑤ For use with ReliaTel™ microprocessor controlled units only. Must be factory installed for Electromechanical controlled units.
 ⑥ Used for true discharge air sensing in both heating and cooling. Required for supply air tempering.
 ⑦ For use with ReliaTel™ controlled units only.
 ⑧ Cannot be used in conjunction with factory installed Smoke Detector option.

⑨ Installs in ductwork for horizontal configuration. For downflow configuration, it installs in the unit's horizontal return duct.
 See Installer's Guide for more information.
 ⑩ BAYABRD001C is required when ordering field installed accessories Clogged Filter Switch (BAYDFPS003A), Fan Fail Switch (BAYDFPS004A), Discharge Air Sensing Kit (BAYTUBE004A or BAYTUBE005A) or Evaporator Defrost Control (Froststat) (BAYLOAM020B) unless the following options are factory installed: Froststat, Smoke Detector, Clogged Filter Switch, Fan Failure Switch, Discharge Air Sensing Kit. These factory installed options include the ReliaTel™ Options Module.

⑪ Electromechanical controlled units only.
 ⑫ Interface allows 2-10 ton units with ReliaTel™ Controls to communicate with Tracer 100, Tracker, VariTrac II, and is the preferred method of communication to Tracer Summit.
 ⑬ Quantity 2 required for YSC036-060E.
 ⑭ For use with ReliaTel™ controlled units only.
 ⑮ Interface allows a unit with ReliaTel™ Controls to communicate as a Trane LonTalk device or directly with generic LonTalk Network BAS Controls.



3 — 5 Ton YSC036-060E

Precedent™ Convertible Pkg. Gas/Electric R-410A

Zone Sensors for ReliaTel™ Controlled Units:

Model Number	Description	Used with	Mfg. Plant	Shipping Weight
BAYSENS006B	Single Setpoint Manual Changeover	YSC036-060E_R	CK/001	1
BAYSENS008B	Dual Setpoint Manual or Auto Changeover	YSC036-060E_R	CK/001	1
BAYSENS010B	Dual Setpoint Man. or Auto Changeover with System Function Lights	YSC036-060E_R	CK/001	1
BAYSENS019C	Programmable Night Setback w/System Function Lights	YSC036-060E_R	CK/001	1
BAYSENS013C ^①	Room Sensor w/ Override and Cancel Buttons	YSC036-060E_R	CK/001	1
BAYSENS014C ^①	Room Sensor w/ Temp. Adjustment with Override and Cancel Buttons	YSC036-060E_R	CK/001	1
BAYSENS017B	Remote Room Sensor	BAYSENS006B, 008B, 010B, & 019C	CK/001	1
BAYSENS032A ^③	Dual Thermistor Remote Zone Sensor	YSC036-060E_R	CK/001	1
BAYSENS035A ^③	Digital Display Zone Sensor	YSC036-060E_R	CK/001	1
BAYMTPL003B	Retrofit Wall Cover Plate Kit 7.25" x 6.0"	BAYSENS019C	CK/001	1
BAYMTPL004A	Retrofit Wall Cover Plate Kit 4.75" x 4.75"	BAYSENS006,008,10B 013,014C & 017B	CK/001	1

① Used with Integrated Comfort™ Systems, any unit type. These sensors do not work with TCM. Consult BASD Marketing for them.

② See Accessory IOM for operational characteristics.

③ Functional only with ReliaTel™ controls.

Thermostats:

Model Number	Description	Used with	Mfg. Plant	Shipping Weight
BAYSTAT040A ^{①③}	Programmable Thermostat	YSC036-060E	CK/001	1
BAYBASE008A	Subbase 1-Stage Htg./Clg.	BAYSTAT040A	CK/001	1
BAYBASE006A	Subbase 2-Stage Htg./Clg.	BAYSTAT040A	CK/001	1
BAYSENS033A	Remote Wall Sensor	BAYSTAT040A	CK/001	1
BAYSENS034A	Remote Duct Sensor	BAYSTAT040A	CK/001	1
TCONT200AN11AA	Electronic, 1Htg/1Clg (Non Prog.)	All Cooling/(Gas or Elec)	TY	1
BAY28X190 ^②	Locking Thermostat Cover for up to 4 units	Room Thermostats	TY	1
BAYSTAT050A	2Htg/2Clg Digital Display Programmable Thermostat	YSC036-060E	CK/001	1
BAYSTAT051A	1Htg/1Clg Digital Display Thermostat	YSC036-060E	CK/001	1
BAYSTAT052A	2Htg/2Clg Digital Display Programmable "TOUCHSCREEN" Thermostat	YSC036-060E	CK/001	1
BAYSTAT053A	3Htg/2Clg Digital Display Programmable Thermostat with Relative Humidity Sensing Built-In	YSC036-060E (with Dehumidification Option)	CK/001	1
BAYSTAT055A	3Htg/2Clg Digital Display Thermostat	YSC036-060E	CK/001	1
BAYSTAT059A	Return Air Remote Sensor	BAYSTAT050A,051A, 052A,053A,051A,	CK/001	1
BAYSTAT060A	Wall Mounted Remote Sensor	BAYSTAT050A,051A, 052A,053A	CK/001	1

① Requires use of subbase BAYBASE006A or BAYBASE008A.

② Do not use with Programmable Thermostats.

③ Thermostat does not include fan or system switches..



12-1/2 Ton YCH150D

Horizontal Packaged Gas/Electric

Specifications: Horizontal

Model Number	Factory Installed Option	Power Supply	Capacity Cooling (BTUH)	Capacity Heating		Uncrated Dimensions (in.)			Mfg. Plant	Shipping Weight
				Output (BTUH)	EER	H	W	L		
YCH150D3L0B	—	208-230/3/60	150,000	122,000	9.6	50	72	108	CK/001	1599
YCH150D3LBB	Ov Motor	208-230/3/60	150,000	122,000	9.6	50	72	108	CK/001	1694
YCH150D3LFB	TCI	208-230/3/60	150,000	122,000	9.6	50	72	108	CK/001	1600
YCH150D3H0B	—	208-230/3/60	150,000	203,000	9.6	50	72	108	CK/001	1599
YCH150D3HBB	Ov Motor	208-230/3/60	150,000	203,000	9.6	50	72	108	CK/001	1694
YCH150D3HFB	TCI	208-230/3/60	150,000	203,000	9.6	50	72	108	CK/001	1600
YCH150D4L0B	—	460/3/60	150,000	122,000	9.6	50	72	108	CK/001	1599
YCH150D4LBB	Ov Motor	460/3/60	150,000	122,000	9.6	50	72	108	CK/001	1694
YCH150D4LFB	TCI	460/3/60	150,000	122,000	9.6	50	72	108	CK/001	1600
YCH150D4H0B	—	460/3/60	150,000	203,000	9.6	50	72	108	CK/001	1599
YCH150D4HBB	Ov Motor	460/3/60	150,000	203,000	9.6	50	72	108	CK/001	1694
YCH150D4HFB	TCI	460/3/60	150,000	203,000	9.6	50	72	108	CK/001	1600
YCH150DWL0B	—	575/3/60	150,000	122,000	9.6	50	72	108	CK/001	1599
YCH150DWLBB	Ov Motor	575/3/60	150,000	122,000	9.6	50	72	108	CK/001	1694
YCH150DWLFB	TCI	575/3/60	150,000	122,000	9.6	50	72	108	CK/001	1600
YCH150DWH0B	—	575/3/60	150,000	203,000	9.6	50	72	108	CK/001	1599
YCH150DWHBB	Ov Motor	575/3/60	150,000	203,000	9.6	50	72	108	CK/001	1694
YCH150DWHFB	TCI	575/3/60	150,000	203,000	9.6	50	72	108	CK/001	1600

Features:

- ReliaTel™ controls
- Built in anti-short cycle, time-delay relay and minimum on time controls
- ICS compatibility with either factory or field installed Trane Communications Interface (TCI)
- Quick-adjust idler arm assembly for belt and motor sheave adjustment
- 2" throwaway filters
- Liquid line drier
- Operating charge of R-22
- Fork lift channels
- Trane-Tite-Top (T³) weather tight top and cabinet
- Trane 3-D® scroll compressors
- Dedicated horizontal and downflow designs
- Single side access
- Drum and tube gas heat exchanger
- Short orifice refrigerant control
- Hot surface ignition system
- Aluminized steel drum material
- Forced combustion
- Gas burner view port
- Negative pressure gas valve
- Quick-access panels with handles
- Internally enhanced coil tubing
- Sloped sheet metal drain pan
- Low ambient cooling to 0° F standard
- Colored and numbered wiring
- UL listed and CSA certified
- **5 year compressor and heat exchanger warranty**
- **Optional extended warranties**



12-1/2 Ton YCD150D

Downflow Packaged Gas/Electric

Specifications: Downflow

Model Number	Factory Installed Option	Power Supply	Capacity Cooling (BTUH)	Capacity Heating		EER	Uncrated Dimensions (in.)			Mfg. Plant	Shipping Weight
				Output (BTUH)			H	W	L		
YCD150D3LOB	—	208-230/3/60	150,000	122,000	9.6	50	72	108	CK/001	1580	
YCD150D3LAB	Economizer	208-230/3/60	150,000	122,000	9.6	50	72	108	CK/001	1670	
YCD150D3LBB	Ov Motor	208-230/3/60	150,000	122,000	9.6	50	72	108	CK/001	1655	
YCD150D3LCB	Econ/OvMtr	208-230/3/60	150,000	122,000	9.6	50	72	108	CK/001	1745	
YCD150D3LFB	TCI	208-230/3/60	150,000	122,000	9.6	50	72	108	CK/001	1581	
YCD150D3LGB	Econ/TCI	208-230/3/60	150,000	122,000	9.6	50	72	108	CK/001	1671	
YCD150D3HOB	—	208-230/3/60	150,000	203,000	9.6	50	72	108	CK/001	1580	
YCD150D3HAB	Economizer	208-230/3/60	150,000	203,000	9.6	50	72	108	CK/001	1670	
YCD150D3HBB	Ov Motor	208-230/3/60	150,000	203,000	9.6	50	72	108	CK/001	1655	
YCD150D3HCB	Econ/OvMtr	208-230/3/60	150,000	203,000	9.6	50	72	108	CK/001	1745	
YCD150D3HFB	TCI	208-230/3/60	150,000	203,000	9.6	50	72	108	CK/001	1581	
YCD150D3HGB	Econ/TCI	208-230/3/60	150,000	203,000	9.6	50	72	108	CK/001	1671	
YCD150D4LOB	—	460/3/60	150,000	122,000	9.6	50	72	108	CK/001	1580	
YCD150D4LAB	Economizer	460/3/60	150,000	122,000	9.6	50	72	108	CK/001	1670	
YCD150D4LBB	Ov Motor	460/3/60	150,000	122,000	9.6	50	72	108	CK/001	1655	
YCD150D4LCB	Econ/OvMtr	460/3/60	150,000	122,000	9.6	50	72	108	CK/001	1745	
YCD150D4LFB	TCI	460/3/60	150,000	122,000	9.6	50	72	108	CK/001	1581	
YCD150D4LGB	Econ/TCI	460/3/60	150,000	122,000	9.6	50	72	108	CK/001	1671	
YCD150D4HOB	—	460/3/60	150,000	203,000	9.6	50	72	108	CK/001	1580	
YCD150D4HAB	Economizer	460/3/60	150,000	203,000	9.6	50	72	108	CK/001	1670	
YCD150D4HBB	Ov Motor	460/3/60	150,000	203,000	9.6	50	72	108	CK/001	1655	
YCD150D4HCB	Econ/OvMtr	460/3/60	150,000	203,000	9.6	50	72	108	CK/001	1745	
YCD150D4HFB	TCI	460/3/60	150,000	203,000	9.6	50	72	108	CK/001	1581	
YCD150D4HGB	Econ/TCI	460/3/60	150,000	203,000	9.6	50	72	108	CK/001	1671	
YCD150DWLOB	—	575/3/60	150,000	122,000	9.6	50	72	108	CK/001	1580	
YCD150DWLAB	Economizer	575/3/60	150,000	122,000	9.6	50	72	108	CK/001	1670	
YCD150DWLBB	Ov Motor	575/3/60	150,000	122,000	9.6	50	72	108	CK/001	1655	
YCD150DWLCB	Econ/OvMtr	575/3/60	150,000	122,000	9.6	50	72	108	CK/001	1745	
YCD150DWLFB	TCI	575/3/60	150,000	122,000	9.6	50	72	108	CK/001	1581	
YCD150DWLGB	Econ/TCI	575/3/60	150,000	122,000	9.6	50	72	108	CK/001	1671	
YCD150DWHOB	—	575/3/60	150,000	203,000	9.6	50	72	108	CK/001	1580	
YCD150DWHAB	Economizer	575/3/60	150,000	203,000	9.6	50	72	108	CK/001	1670	
YCD150DWHBB	Ov Motor	575/3/60	150,000	203,000	9.6	50	72	108	CK/001	1655	
YCD150DWHCB	Econ/OvMtr	575/3/60	150,000	203,000	9.6	50	72	108	CK/001	1745	
YCD150DWHFB	TCI	575/3/60	150,000	203,000	9.6	50	72	108	CK/001	1581	
YCD150DWHGB	Econ/TCI	575/3/60	150,000	203,000	9.6	50	72	108	CK/001	1671	



12-1/2 Ton
YCH150D
YCD150D

**Horizontal and
Downflow
Packaged
Gas/Electric**

Accessories:

Model Number	Description	Used With	Mfg. Plant	Shipping Weight
Extended Warranties – (1 yr - 5 yr – See Extended Warranty Section)				
BAYABRD002B	ReliaTel™ Options Module	See Note ④	CK/001	2
BAYCURB026B①⑤	Downflow Roof Curb	YCD150D	CK/001	165
BAYDMPR029C	0-25% Manual Outside Air Damper	YCD150D YCH150D	CK/001	32
BAYDMPR057A	Motorized Outside Air Damper	YCD150D YCH150D	CK/001	35
BAYECON089A	Downflow Economizer with Barometric Relief	YCD150D	CK/001	90
BAYECON091A	Horizontal Economizer	YCH150D	CK/001	110
BAYGARD043B	Tool-less Condenser Coil Hail Guard	YC*150D	CK/001	50
BAYSTAT023	Remote Potentiometer	BAYECON089A,091A, BAYDMPR057A	CK/001	1
BAYPWRX029A	Power Exhaust for use with Downflow Economizer/ 230V	YCD150D3	CK/001	75
BAYPWRX030A	Power Exhaust for use with Downflow Economizer/ 460V	YCD150D4	CK/001	75
BAYPWRX031A	Power Exhaust for use with Downflow Economizer/ 575V	YCD150DW	CK/001	75
BAYHSMT039B	5 HP Oversize Motor Kit	YC*1503,4	CK/001	95
BAYHSMT040B	5 HP Oversize Motor Kit	YCD150DW YCH150DW	CK/001	95
BAYLPKT018A	LP Conversion Kit	YCD150D YCH150D	CK/001	1
BAYSERV001A	Selective Resistance Service Tester	YCD150D YCH150D	CK/001	2
BAYSENS016A	Temperature Sensor	YCD150D YCH150D	CK/001	1
BAYFRST003A③	High Temperature Stat	YCD150D YCH150D	CK/001	1
BAYENTH007A②	Reference Enthalpy Kit	BAYECON089A BAYECON091A	CK/001	1
BAYENTH008A②	Comparative Enthalpy Kit	BAYECON089A BAYECON091A	CK/001	1
BAYDFPS005A⑦	Clogged Filter Switch	YCD150D YCH150D	CK/001	1
BAYDFPS006A⑦	Fan Failure Switch	BAYECON089A,091A BAYDMPR057A	CK/001	1
BAYLOAM023A	Evaporator Defrost Control (Frostat)	YC*150D w/ReliaTel Options Module	CK/001	3
BAYTUBE008A④	Discharge Air Sensing Kit	YCD150D	CK/001	1
BAYTUBE009A④	Discharge Air Sensing Kit	YCH150D	CK/001	1
BAYVNOR002B	Ventilation Override Kit	YC*150D w/ReliaTel Options Module	CK/001	2

① For downflow use only. Cannot be adapted for horizontal units.

② Kits contain all necessary parts to achieve desired level of enthalpy control.

③ Must be used with either field or factory installed TCI (Trane Communication Interface).

④ Used for true discharge air sensing in both heating and cooling models. Functional only with ReliaTel Options Module (BAYABRD002B/FIYABRD002B).

⑤ Clarksville Manufacturing has a no-return policy for this roof curb.

⑥ BAYABRD002B is required when ordering field installed accessories Clogged Filter Switch (BAYDFPS005A), Fan Fail Switch (BAYDFPS006A), Discharge Air Sensing Kit (BAYTUBE008A or BAYTUBE009A), Frostat (BAYLOAM023A), Ventilation Override (BAYVNOR002B).

⑦ Functional only with ReliaTel Options Module (BAYABRD002B/FIYABRD002B).

FOR CHOICE OF ZONE SENSORS (MICRO THERMOSTATS) SEE LAST PAGE BEFORE
"HIGH EFFICIENCY" GAS/ELECTRIC



15 Ton YCH180B

Horizontal Packaged Gas/Electric

Specifications: Horizontal

Model Number	Factory Installed Option	Power Supply	Capacity Cooling (BTUH)	Capacity Heating		Uncrated Dimensions (in.)			Mfg. Plant	Shipping Weight
				Output (BTUH)	EER	H	W	L		
YCH180B3LOH	—	208-230/3/60	182,000	203,000	9.7	50	72	108	CK/001	1906
YCH180B3LBH	Ov Motor	208-230/3/60	182,000	203,000	9.7	50	72	108	CK/001	2001
YCH180B3LFH	TCI	208-230/3/60	182,000	203,000	9.7	50	72	108	CK/001	1907
YCH180B3HOH	—	208-230/3/60	182,000	284,000	9.7	50	72	108	CK/001	1906
YCH180B3HBH	Ov Motor	208-230/3/60	182,000	284,000	9.7	50	72	108	CK/001	2001
YCH180B3HFH	TCI	208-230/3/60	182,000	284,000	9.7	50	72	108	CK/001	1907
YCH180B4LOH	—	460/3/60	182,000	203,000	9.7	50	72	108	CK/001	1906
YCH180B4LBH	Ov Motor	460/3/60	182,000	203,000	9.7	50	72	108	CK/001	2001
YCH180B4LFH	TCI	460/3/60	182,000	203,000	9.7	50	72	108	CK/001	1907
YCH180B4HOH	—	460/3/60	182,000	284,000	9.7	50	72	108	CK/001	1906
YCH180B4HBH	Ov Motor	460/3/60	182,000	284,000	9.7	50	72	108	CK/001	2001
YCH180B4HFH	TCI	460/3/60	182,000	284,000	9.7	50	72	108	CK/001	1907
YCH180BWL0H	—	575/3/60	182,000	203,000	9.7	50	72	108	CK/001	1906
YCH180BWL0H	Ov Motor	575/3/60	182,000	203,000	9.7	50	72	108	CK/001	2001
YCH180BWL0H	TCI	575/3/60	182,000	203,000	9.7	50	72	108	CK/001	1907
YCH180BWH0H	—	575/3/60	182,000	284,000	9.7	50	72	108	CK/001	1906
YCH180BWH0H	Ov Motor	575/3/60	182,000	284,000	9.7	50	72	108	CK/001	2001
YCH180BWH0H	TCI	575/3/60	182,000	284,000	9.7	50	72	108	CK/001	1907

Features:

- ReliaTel™ controls
- Built in anti-short cycle, time-delay relay and minimum on time controls
- ICS compatibility with either factory or field installed Trane Communications Interface (TCI)
- Quick-adjust idler arm assembly for belt and motor sheave adjustment
- 2" throwaway filters
- Liquid line drier
- Operating charge of R-22
- Fork lift channels
- Trane-Tite-Top (T³) weather tight top and cabinet
- Trane 3-D® scroll compressors
- Dedicated horizontal and downflow designs
- Single side access
- Drum and tube gas heat exchanger
- Short orifice refrigerant control
- Hot surface ignition system
- Aluminized steel drum material
- Forced combustion
- Gas burner view port
- Negative pressure gas valve
- Quick-access panels with handles
- Internally enhanced coil tubing
- Sloped sheet metal drain pan
- Low ambient cooling to 0° F standard
- Colored and numbered wiring
- UL listed and CSA certified
- **5 year compressor and heat exchanger warranty**
- **Optional extended warranties**



15 Ton YCD180B

Downflow Packaged Gas/Electric

Specifications: Downflow

Model Number	Factory Installed Option	Power Supply	Capacity			Uncrated Dimensions (in.)			Mfg. Plant	Shipping Weight
			Capacity Cooling (BTUH)	Capacity Heating Output (BTUH)	EER	H	W	L		
YCD180B3L0H	—	208-230/3/60	182,000	203,000	9.7	50	72	108	CK/001	1892
YCD180B3LAH	Economizer	208-230/3/60	182,000	203,000	9.7	50	72	108	CK/001	2007
YCD180B3LBH	Ov Motor	208-230/3/60	182,000	203,000	9.7	50	72	108	CK/001	1967
YCD180B3LCH	Econ/OvMtr	208-230/3/60	182,000	203,000	9.7	50	72	108	CK/001	2082
YCD180B3LFH	TCI	208-230/3/60	182,000	203,000	9.7	50	72	108	CK/001	1893
YCD180B3LGH	Econ/TCI	208-230/3/60	182,000	203,000	9.7	50	72	108	CK/001	2008
YCD180B3H0H	—	208-230/3/60	182,000	284,000	9.7	50	72	108	CK/001	1892
YCD180B3HAH	Economizer	208-230/3/60	182,000	284,000	9.7	50	72	108	CK/001	2007
YCD180B3HBH	Ov Motor	208-230/3/60	182,000	284,000	9.7	50	72	108	CK/001	1967
YCD180B3HCH	Econ/OvMtr	208-230/3/60	182,000	284,000	9.7	50	72	108	CK/001	2082
YCD180B3HFH	TCI	208-230/3/60	182,000	284,000	9.7	50	72	108	CK/001	1893
YCD180B3HGH	Econ/TCI	208-230/3/60	182,000	284,000	9.7	50	72	108	CK/001	2008
YCD180B4L0H	—	460/3/60	182,000	203,000	9.7	50	72	108	CK/001	1892
YCD180B4LAH	Economizer	460/3/60	182,000	203,000	9.7	50	72	108	CK/001	2007
YCD180B4LBH	Ov Motor	460/3/60	182,000	203,000	9.7	50	72	108	CK/001	1967
YCD180B4LCH	Econ/OvMtr	460/3/60	182,000	203,000	9.7	50	72	108	CK/001	2082
YCD180B4LFH	TCI	460/3/60	182,000	203,000	9.7	50	72	108	CK/001	1893
YCD180B4LGH	Econ/TCI	460/3/60	182,000	203,000	9.7	50	72	108	CK/001	2008
YCD180B4H0H	—	460/3/60	182,000	284,000	9.7	50	72	108	CK/001	1892
YCD180B4HAH	Economizer	460/3/60	182,000	284,000	9.7	50	72	108	CK/001	2007
YCD180B4HBH	Ov Motor	460/3/60	182,000	284,000	9.7	50	72	108	CK/001	1967
YCD180B4HCH	Econ/OvMtr	460/3/60	182,000	284,000	9.7	50	72	108	CK/001	2082
YCD180B4HFH	TCI	460/3/60	182,000	284,000	9.7	50	72	108	CK/001	1893
YCD180B4HGH	Econ/TCI	460/3/60	182,000	284,000	9.7	50	72	108	CK/001	2008
YCD180BWL0H	—	575/3/60	182,000	203,000	9.7	50	72	108	CK/001	1892
YCD180BWLAH	Economizer	575/3/60	182,000	203,000	9.7	50	72	108	CK/001	2007
YCD180BWL BH	Ov Motor	575/3/60	182,000	203,000	9.7	50	72	108	CK/001	1967
YCD180BWLCH	Econ/OvMtr	575/3/60	182,000	203,000	9.7	50	72	108	CK/001	2082
YCD180BWL FH	TCI	575/3/60	182,000	203,000	9.7	50	72	108	CK/001	1893
YCD180BWLGH	Econ/TCI	575/3/60	182,000	203,000	9.7	50	72	108	CK/001	2008
YCD180BWH0H	—	575/3/60	182,000	284,000	9.7	50	72	108	CK/001	1892
YCD180BWHAH	Economizer	575/3/60	182,000	284,000	9.7	50	72	108	CK/001	2007
YCD180BWHBH	Ov Motor	575/3/60	182,000	284,000	9.7	50	72	108	CK/001	1967
YCD180BWHCH	Econ/OvMtr	575/3/60	182,000	284,000	9.7	50	72	108	CK/001	2082
YCD180BWHFH	TCI	575/3/60	182,000	284,000	9.7	50	72	108	CK/001	1893
YCD180BWHGH	Econ/TCI	575/3/60	182,000	284,000	9.7	50	72	108	CK/001	2008

Features:

- ReliaTel™ controls
- Built in anti-short cycle, time-delay relay and minimum on time controls
- ICS compatibility with either factory or field installed Trane Communications Interface (TCI)
- Quick-adjust idler arm assembly for belt and motor sheave adjustment
- 2" throwaway filters
- Short orifice refrigerant control
- Liquid line drier

- Operating charge of R-22
- Fork lift channels
- Trane-Tite-Top (T³) weather tight top and cabinet
- Trane 3-D® scroll compressors
- Dedicated downflow design
- Single side access
- Drum and tube gas heat exchanger
- Hot surface ignition system
- Aluminized steel drum material
- Forced combustion
- Gas burner view port

- Negative pressure gas valve
- Quick-access panels with handles
- Sloped sheet metal drain pan
- Internally enhanced coil tubing
- Low ambient cooling to 0°F standard
- colored and numbered wiring
- UL listed and CSA certified
- **5 year compressor and heat exchanger warranty**



15 Ton
YCH180B
YCD180B

**Horizontal and
Downflow
Packaged
Gas/Electric**

Accessories:

Model Number	Description	Used With	Mfg. Plant	Shipping Weight
Extended Warranties – (1 yr - 5 yr – See Extended Warranty Section)				
BAYABRD002B	ReliaTel™ Options Module	See Note ⑦	CK/001	2
BAYCURB026B①⑤	Downflow Roof Curb	YCD180B	CK/001	205
BAYDMPR029C	0-25% Manual Outside Air Damper	YCD180B	CK/001	32
BAYDMPR057A	Motorized Outside Air Damper	YCH180B		
		YCD180B	CK/001	60
BAYECON089A	Downflow Economizer with Barometric Relief	YCH180B	CK/001	115
BAYECON091A	Horizontal Economizer	YCD180B	CK/001	150
BAYGARD044B	Tool-less Condenser Coil Hail Guard	YC*180B	CK/001	50
BAYSTAT023	Remote Potentiometer	BAYECON089A,091A	CK/001	1
		BAYDMPR057A		
BAYPWRX029A	Power Exhaust for use with Downflow Economizer/ 230V	YCD180B3	CK/001	95
BAYPWRX030A	Power Exhaust for use with Downflow Economizer/ 460V	YCD180B4	CK/001	95
BAYPWRX031A	Power Exhaust for use with Downflow Economizer/ 575V	YCD180BW	CK/001	95
BAYHSMT039B⑤	5 HP Oversize Motor Kit	YCD180B	CK/001	75
		YCH180B		
BAYHSMT040B⑤	5 HP Oversize Motor Kit	YCD180BW	CK/001	75
		YCH180BW		
BAYHSDR005B⑤	High Static Drive	YCD180B	CK/001	15
		YCH180B		
BAYLPKT018A	LP Conversion Kit	YCD180B	CK/001	1
		YCH180B		
BAYSERV001A	Selective Resistance Service Tester	YCD180B	CK/001	2
		YCH180B		
BAYSENS016A	Temperature Sensor	YCD180B	CK/001	1
		YCH180B		
BAYFRST003A③	High Temperature Stat	YCD180B	CK/001	1
		YCH180B		
BAYENTH007A②	Reference Enthalpy Kit	BAYECON089A	CK/001	1
		BAYECON091A		
BAYENTH008A②	Comparative Enthalpy Kit	BAYECON089A	CK/001	1
		BAYECON091A		
BAYDFPS005A⑧	Clogged Filter Switch	YCD180B	CK/001	1
		YCH180B		
BAYDFPS006A⑧	Fan Failure Switch	BAYECON089A,091A	CK/001	1
		BAYDMPR057A		
BAYLOAM023A	Evaporator Defrost Control (Frostat)	YC*180B	CK/001	3
		w/ReliaTel Options Module		
BAYTUBE008A④	Discharge Air Sensing Kit	YCD180B	CK/001	1
BAYTUBE009A④	Discharge Air Sensing Kit	YCH180B	CK/001	1
BAYVNOR002B	Ventilation Override Kit	YC*180B	CK/001	2
		w/ReliaTel Options Module		

① For downflow use only. Cannot be adapted for horizontal units.

② Kits contain all necessary parts to achieve desired level of enthalpy control.

③ Must be used with either field or factory installed TCI (Trane Communication Interface).

④ Used for true discharge air sensing in both heating and cooling models. Functional only with ReliaTel Options Module (BAYABRD002B/FIYABRD002B).

⑤ Clarksville Manufacturing has a no-return policy for this roof curb.

⑥ High static drive and oversized motors are mutually exclusive. Do not combine.

⑦ BAYABRD002B is required when ordering field installed accessories Clogged Filter Switch (BAYDFPS005A), Fan Fail Switch (BAYDFPS006A), Discharge Air Sensing Kit (BAYTUBE008A or BAYTUBE009A), Frostat (BAYLOAM023A), Ventilation Override (BAYVNOR002B).

⑧ Functional only with ReliaTel Options Module (BAYABRD002B/FIYABRD002B).



17-1/2 Ton YCH210C

Horizontal Packaged Gas/Electric

Specifications: Horizontal

Model Number	Factory Installed Option	Power Supply	Capacity Cooling (BTUH)	Capacity Heating		Uncrated Dimensions (in.)			Mfg. Plant	Shipping Weight
				Output (BTUH)	EER	H	W	L		
YCH210C3L0E	—	208-230/3/60	210,000	203,000	9.6	50	72	108	CK/001	1987
YCH210C3LBE	Ov Motor	208-230/3/60	210,000	203,000	9.6	50	72	108	CK/001	2097
YCH210C3LFE	TCI	208-230/3/60	210,000	203,000	9.6	50	72	108	CK/001	1988
YCH210C3H0E	—	208-230/3/60	210,000	284,000	9.6	50	72	108	CK/001	1987
YCH210C3HBE	Ov Motor	208-230/3/60	210,000	284,000	9.6	50	72	108	CK/001	2097
YCH210C3HFE	TCI	208-230/3/60	210,000	284,000	9.6	50	72	108	CK/001	1988
YCH210C4L0E	—	460/3/60	210,000	203,000	9.6	50	72	108	CK/001	1987
YCH210C4LBE	Ov Motor	460/3/60	210,000	203,000	9.6	50	72	108	CK/001	2097
YCH210C4LFE	TCI	460/3/60	210,000	203,000	9.6	50	72	108	CK/001	1988
YCH210C4H0E	—	460/3/60	210,000	284,000	9.6	50	72	108	CK/001	1987
YCH210C4HBE	Ov Motor	460/3/60	210,000	284,000	9.6	50	72	108	CK/001	2097
YCH210C4HFE	TCI	460/3/60	210,000	284,000	9.6	50	72	108	CK/001	1988
YCH210CWL0E	—	575/3/60	210,000	203,000	9.6	50	72	108	CK/001	1987
YCH210CWLBE	Ov Motor	575/3/60	210,000	203,000	9.6	50	72	108	CK/001	2097
YCH210CWLFE	TCI	575/3/60	210,000	203,000	9.6	50	72	108	CK/001	1988
YCH210CWH0E	—	575/3/60	210,000	284,000	9.6	50	72	108	CK/001	1987
YCH210CWHBE	Ov Motor	575/3/60	210,000	284,000	9.6	50	72	108	CK/001	2097
YCH210CWHFE	TCI	575/3/60	210,000	284,000	9.6	50	72	108	CK/001	1988

Features:

- ReliaTel™ controls
- Built in anti-short cycle, time-delay relay and minimum on time controls
- ICS compatibility with either factory or field installed Trane Communications Interface (TCI)
- Quick-adjust idler arm assembly for belt and motor sheave adjustment
- 2" throwaway filters
- Liquid line drier
- Operating charge of R-22
- Short orifice refrigerant control
- Fork lift channels
- Trane-Tite-Top (T³) weather tight top and cabinet
- Trane 3-D® scroll compressors
- Dedicated horizontal and downflow designs
- Single side access
- Drum and tube gas heat exchanger
- Hot surface ignition system
- Aluminized steel drum material
- Forced combustion
- Gas burner view port
- Negative pressure gas valve
- Quick-access panels with handles
- Sloped sheet metal drain pan
- Internally enhanced coil tubing
- Low ambient cooling to 0° F standard
- Colored and numbered wiring
- UL listed and CSA certified
- **5 year compressor and heat exchanger warranty on 17-1/2 ton units**
- **Optional extended warranties**



17-1/2Ton YCD210C

Downflow Packaged Gas/Electric

Specifications: Downflow

Model Number	Factory Installed Option	Power Supply	Capacity Cooling (BTUH)	Capacity Heating		Uncrated Dimensions (in.)			Mfg. Plant	Shipping Weight
				Output (BTUH)	EER	H	W	L		
YCD210C3L0E	—	208-230/3/60	210,000	203,000	9.6	50	72	108	CK/001	1973
YCD210C3LAE	Economizer	208-230/3/60	210,000	203,000	9.6	50	72	108	CK/001	2088
YCD210C3LBE	Ov Motor	208-230/3/60	210,000	203,000	9.6	50	72	108	CK/001	2083
YCD210C3LCE	Econ/OvMtr	208-230/3/60	210,000	203,000	9.6	50	72	108	CK/001	2198
YCD210C3LFE	TCI	208-230/3/60	210,000	203,000	9.6	50	72	108	CK/001	1974
YCD210C3LGE	Econ/TCI	208-230/3/60	210,000	203,000	9.6	50	72	108	CK/001	2089
YCD210C3H0E	—	208-230/3/60	210,000	284,000	9.6	50	72	108	CK/001	1973
YCD210C3HAE	Economizer	208-230/3/60	210,000	284,000	9.6	50	72	108	CK/001	2088
YCD210C3HBE	Ov Motor	208-230/3/60	210,000	284,000	9.6	50	72	108	CK/001	2083
YCD210C3HCE	Econ/OvMtr	208-230/3/60	210,000	284,000	9.6	50	72	108	CK/001	2198
YCD210C3HFE	TCI	208-230/3/60	210,000	284,000	9.6	50	72	108	CK/001	1974
YCD210C3HGE	Econ/TCI	208-230/3/60	210,000	284,000	9.6	50	72	108	CK/001	2089
YCD210C4L0E	—	460/3/60	210,000	203,000	9.6	50	72	108	CK/001	1973
YCD210C4LAE	Economizer	460/3/60	210,000	203,000	9.6	50	72	108	CK/001	2088
YCD210C4LBE	Ov Motor	460/3/60	210,000	203,000	9.6	50	72	108	CK/001	2083
YCD210C4LCE	Econ/OvMtr	460/3/60	210,000	203,000	9.6	50	72	108	CK/001	2198
YCD210C4LFE	TCI	460/3/60	210,000	203,000	9.6	50	72	108	CK/001	1974
YCD210C4LGE	Econ/TCI	460/3/60	210,000	203,000	9.6	50	72	108	CK/001	2089
YCD210C4H0E	—	460/3/60	210,000	284,000	9.6	50	72	108	CK/001	1973
YCD210C4HAE	Economizer	460/3/60	210,000	284,000	9.6	50	72	108	CK/001	2088
YCD210C4HBE	Ov Motor	460/3/60	210,000	284,000	9.6	50	72	108	CK/001	2083
YCD210C4HCE	Econ/OvMtr	460/3/60	210,000	284,000	9.6	50	72	108	CK/001	2198
YCD210C4HFE	TCI	460/3/60	210,000	284,000	9.6	50	72	108	CK/001	1974
YCD210C4HGE	Econ/TCI	460/3/60	210,000	284,000	9.6	50	72	108	CK/001	2089
YCD210CWL0E	—	575/3/60	210,000	203,000	9.6	50	72	108	CK/001	1973
YCD210CWLAE	Economizer	575/3/60	210,000	203,000	9.6	50	72	108	CK/001	2088
YCD210CWLBE	Ov Motor	575/3/60	210,000	203,000	9.6	50	72	108	CK/001	2083
YCD210CWLCE	Econ/OvMtr	575/3/60	210,000	203,000	9.6	50	72	108	CK/001	2198
YCD210CWLFE	TCI	575/3/60	210,000	203,000	9.6	50	72	108	CK/001	1974
YCD210CWLGE	Econ/TCI	575/3/60	210,000	203,000	9.6	50	72	108	CK/001	2089
YCD210CWH0E	—	575/3/60	210,000	284,000	9.6	50	72	108	CK/001	1973
YCD210CWHAE	Economizer	575/3/60	210,000	284,000	9.6	50	72	108	CK/001	2088
YCD210CWHBE	Ov Motor	575/3/60	210,000	284,000	9.6	50	72	108	CK/001	2083
YCD210CWHCE	Econ/OvMtr	575/3/60	210,000	284,000	9.6	50	72	108	CK/001	2198
YCD210CWHFE	TCI	575/3/60	210,000	284,000	9.6	50	72	108	CK/001	1974
YCD210CWHGE	Econ/TCI	575/3/60	210,000	284,000	9.6	50	72	108	CK/001	2089

Features:

- ReliaTel™ controls
- Built in anti-short cycle, time-delay relay and minimum on time controls
- ICS compatibility with either factory or field installed Trane Communications Interface (TCI)
- Quick-adjust idler arm assembly for belt and motor sheave adjustment
- 2" throwaway filters
- Short orifice refrigerant control
- Liquid line drier
- Operating charge of R-22
- Fork lift channels
- Trane-Tite-Top (T³) weather tight top and cabinet
- Trane 3-D® scroll compressors
- Dedicated downflow design
- Single side access
- Drum and tube gas heat exchanger
- Hot surface ignition system
- Aluminized steel drum material
- Forced combustion
- Gas burner view port
- Negative pressure gas valve
- Sloped sheet metal drain pan
- Quick-access panels with handles
- Internally enhanced coil tubing
- Low ambient cooling to 0° F standard
- Colored and numbered wiring
- UL listed and CSA certified
- **5 year compressor and heat exchanger warranty**



17-1/2 Ton
YCH210C
YCD210C

**Horizontal and
Downflow
Packaged
Gas/Electric**

Accessories:

Model Number	Description	Used With	Mfg. Plant	Shipping Weight
Extended Warranties – (1 yr - 5 yr – See Extended Warranty Section)				
BAYABRD002B	ReliaTel™ Options Module	See Note ⑦	CK/001	2
BAYCURB026B①⑥	Downflow Roof Curb	YCD210C	CK/001	205
BAYDMPR029C	0-25% Manual Outside Air Damper	YCD210C YCH210C	CK/001	32
BAYDMPR057A	Motorized Outside Air Damper	YCD210C YCH210C	CK/001	60
BAYECON089A	Downflow Economizer with Barometric Relief	YCD210C	CK/001	115
BAYECON091A	Horizontal Economizer	YCH210C	CK/001	140
BAYGARD044B	Tool-less Condenser Coil Hail Guard	YC*210C	CK/001	50
BAYSTAT023	Remote Potentiometer	BAYECON089A,091A BAYDMPR057A	CK/001	1
BAYPWRX029A	Power Exhaust for use with Downflow Economizer 230V	YCD210C3	CK/001	95
BAYPWRX030A	Power Exhaust for use with Downflow Economizer 460V	YCD210C4	CK/001	95
BAYPWRX031A	Power Exhaust for use with Downflow Economizer/575V	YCD210CW	CK/001	95
BAYHSMT059A④	7½ HP Oversize Motor Kit	YCD210C YCH210C	CK/001	110
BAYHSMT060A④	7½ HP Oversize Motor Kit	YCD210C4 YCH210C4	CK/001	110
BAYHSMT061A④	7½ HP Oversize Motor Kit/575V	YCD/YCH210CW	CK/001	110
BAYLSDR004A④	Low Static Drive	YCD210C YCH210C	CK/001	15
BAYLPKT018A	LP Conversion Kit	YCD210C YCH210C	CK/001	1
BAYSERV001A	Selective Resistance Service Tester	YCD210C YCH210C	CK/001	1
BAYSENS016A	Temperature Sensor	YCD210C YCH210C	CK/001	1
BAYFRST003A③	High Temperature Stat	YCD210C YCH210C	CK/001	1
BAYENTH007A②	Reference Enthalpy Kit	BAYECON089A BAYECON091A	CK/001	1
BAYENTH008A②	Comparative Enthalpy Kit	BAYECON089A BAYECON091A	CK/001	1
BAYDFPS005A④	Clogged Filter Switch	YCD210-300C	CK/001	1
BAYDFPS006A④	Fan Failure Switch	BAYECON089A,091A BAYDMPR057A	CK/001	1
BAYLOAM023A	Evaporator Defrost Control (Frostat)	YC*210C w/ReliaTel Options Module	CK/001	3
BAYTUBE008A⑤	Discharge Air Sensing Kit	YCD210C	CK/001	1
BAYTUBE009A⑤	Discharge Air Sensing Kit	YCH210C	CK/001	1
BAYVNOR002B	Ventilation Override Kit	YC*210C w/ReliaTel Options Module	CK/001	2

① For downflow use only. Cannot be adapted for horizontal units.

② Kits contain all necessary parts to achieve desired level of enthalpy control.

③ Must be used with either field or factory installed TCI (Trane Communication Interface).

④ Low static drive and oversized motors are mutually exclusive. Do not combine.

⑤ Used for true discharge air sensing in both heating and cooling models. Functional only with ReliaTel Options Module (BAYABRD002B/FIYABRD002B).

⑥ Clarksville Manufacturing has a no-return policy for this roof curb.

⑦ BAYABRD002B is required when ordering field installed accessories Clogged Filter Switch (BAYDFPS005A), Fan Fail Switch (BAYDFPS006A), Discharge Air Sensing Kit (BAYTUBE008A or BAYTUBE009A), Frostat (BAYLOAM023A), Ventilation Override (BAYVNOR002B).

⑧ Functional only with ReliaTel Options Module (BAYABRD002B/FIYABRD002B).



20 Ton YCH240B

Horizontal Packaged Gas/Electric

Specifications: Horizontal

Model Number	Factory Installed Option	Power Supply	Capacity Cooling (BTUH)	Capacity Heating		Uncrated Dimensions (in.)			Mfg. Plant	Shipping Weight
				Output (BTUH)	EER	H	W	L		
YCH240B3L0J	—	208-230/3/60	242,000	203,000	9.5	54	86	123	CK/001	2484
YCH240B3LBJ	Ov Motor	208-230/3/60	242,000	203,000	9.5	54	86	123	CK/001	2574
YCH240B3LFJ	TCI	208-230/3/60	242,000	203,000	9.5	54	86	123	CK/001	2485
YCH240B3H0J	—	208-230/3/60	242,000	324,000	9.5	54	86	123	CK/001	2484
YCH240B3HBJ	Ov Motor	208-230/3/60	242,000	324,000	9.5	54	86	123	CK/001	2574
YCH240B3HFJ	TCI	208-230/3/60	242,000	324,000	9.5	54	86	123	CK/001	2485
YCH240B4L0J	—	460/3/60	242,000	203,000	9.5	54	86	123	CK/001	2484
YCH240B4LBJ	Ov Motor	460/3/60	242,000	203,000	9.5	54	86	123	CK/001	2574
YCH240B4LFJ	TCI	460/3/60	242,000	203,000	9.5	54	86	123	CK/001	2485
YCH240B4H0J	—	460/3/60	242,000	324,000	9.5	54	86	123	CK/001	2484
YCH240B4HBJ	Ov Motor	460/3/60	242,000	324,000	9.5	54	86	123	CK/001	2574
YCH240B4HFJ	TCI	460/3/60	242,000	324,000	9.5	54	86	123	CK/001	2485
YCH240BWL0J	—	575/3/60	242,000	203,000	9.5	54	86	123	CK/001	2484
YCH240BWLBJ	Ov Motor	575/3/60	242,000	203,000	9.5	54	86	123	CK/001	2574
YCH240BWL FJ	TCI	575/3/60	242,000	203,000	9.5	54	86	123	CK/001	2485
YCH240BWH0J	—	575/3/60	242,000	324,000	9.5	54	86	123	CK/001	2484
YCH240BWHBJ	Ov Motor	575/3/60	242,000	324,000	9.5	54	86	123	CK/001	2574
YCH240BWHFJ	TCI	575/3/60	242,000	324,000	9.5	54	86	123	CK/001	2485

Features:

- ReliaTel™ controls
- Built in anti-short cycle, time-delay relay and minimum on time controls
- ICS compatibility with either factory or field installed Trane Communications Interface (TCI)
- Quick-adjust idler arm assembly for belt and motor sheave adjustment
- 2" throwaway filters
- Liquid line drier
- Operating charge of R-22
- Short orifice refrigerant control
- Fork lift channels
- Trane-Tite-Top (T³) weather tight top and cabinet
- Trane 3-D® scroll compressors
- Dedicated horizontal and downflow designs
- Single side access
- Drum and tube gas heat exchanger
- Hot surface ignition system
- Aluminized steel drum material
- Forced combustion
- Gas burner view port
- Negative pressure gas valve
- Sloped sheet metal drain pan
- Quick-access panels with handles
- Internally enhanced coil tubing
- Low ambient cooling to 0° F standard
- Colored and numbered wiring
- UL listed and CSA certified
- **1 year compressor and heat exchanger warranty**
- **Optional extended warranties**



20 Ton YCD240B

Downflow Packaged Gas/Electric

Specifications: Downflow

Model Number	Factory Installed Option	Power Supply	Capacity			Uncrated Dimensions (in.)			Mfg. Plant	Shipping Weight
			Capacity Cooling (BTUH)	Capacity Heating Output (BTUH)	EER	H	W	L		
YCD240B3L0J	—	208-230/3/60	242,000	203,000	9.5	54	86	123	CK/001	2468
YCD240B3LAJ	Economizer	208-230/3/60	242,000	203,000	9.5	54	86	123	CK/001	2603
YCD240B3LBJ	Ov Motor	208-230/3/60	242,000	203,000	9.5	54	86	123	CK/001	2558
YCD240B3LCJ	Econ/OvMtr	208-230/3/60	242,000	203,000	9.5	54	86	123	CK/001	2693
YCD240B3LFJ	TCI	208-230/3/60	242,000	203,000	9.5	54	86	123	CK/001	2469
YCD240B3LGJ	Econ/TCI	208-230/3/60	242,000	203,000	9.5	54	86	123	CK/001	2604
YCD240B3H0J	—	208-230/3/60	242,000	324,000	9.5	54	86	123	CK/001	2468
YCD240B3HAJ	Economizer	208-230/3/60	242,000	324,000	9.5	54	86	123	CK/001	2603
YCD240B3HBJ	Ov Motor	208-230/3/60	242,000	324,000	9.5	54	86	123	CK/001	2558
YCD240B3HCJ	Econ/OvMtr	208-230/3/60	242,000	324,000	9.5	54	86	123	CK/001	2693
YCD240B3HFJ	TCI	208-230/3/60	242,000	324,000	9.5	54	86	123	CK/001	2469
YCD240B3HGJ	Econ/TCI	208-230/3/60	242,000	324,000	9.5	54	86	123	CK/001	2604
YCD240B4L0J	—	460/3/60	242,000	203,000	9.5	54	86	123	CK/001	2468
YCD240B4LAJ	Economizer	460/3/60	242,000	203,000	9.5	54	86	123	CK/001	2603
YCD240B4LBJ	Ov Motor	460/3/60	242,000	203,000	9.5	54	86	123	CK/001	2558
YCD240B4LCJ	Econ/OvMtr	460/3/60	242,000	203,000	9.5	54	86	123	CK/001	2693
YCD240B4LFJ	TCI	460/3/60	242,000	203,000	9.5	54	86	123	CK/001	2469
YCD240B4LGJ	Econ/TCI	460/3/60	242,000	203,000	9.5	54	86	123	CK/001	2604
YCD240B4H0J	—	460/3/60	242,000	324,000	9.5	54	86	123	CK/001	2468
YCD240B4HAJ	Economizer	460/3/60	242,000	324,000	9.5	54	86	123	CK/001	2603
YCD240B4HBJ	Ov Motor	460/3/60	242,000	324,000	9.5	54	86	123	CK/001	2558
YCD240B4HCJ	Econ/OvMtr	460/3/60	242,000	324,000	9.5	54	86	123	CK/001	2693
YCD240B4HFJ	TCI	460/3/60	242,000	324,000	9.5	54	86	123	CK/001	2469
YCD240B4HGJ	Econ/TCI	460/3/60	242,000	324,000	9.5	54	86	123	CK/001	2604
YCD240BWL0J	—	575/3/60	242,000	203,000	9.5	54	86	123	CK/001	2468
YCD240BWL AJ	Economizer	575/3/60	242,000	203,000	9.5	54	86	123	CK/001	2603
YCD240BWLBJ	Ov Motor	575/3/60	242,000	203,000	9.5	54	86	123	CK/001	2558
YCD240BWL CJ	Econ/OvMtr	575/3/60	242,000	203,000	9.5	54	86	123	CK/001	2693
YCD240BWL FJ	TCI	575/3/60	242,000	203,000	9.5	54	86	123	CK/001	2469
YCD240BWL GJ	Econ/TCI	575/3/60	242,000	203,000	9.5	54	86	123	CK/001	2604
YCD240BWH0J	—	575/3/60	242,000	324,000	9.5	54	86	123	CK/001	2468
YCD240BWH AJ	Economizer	575/3/60	242,000	324,000	9.5	54	86	123	CK/001	2603
YCD240BWHBJ	Ov Motor	575/3/60	242,000	324,000	9.5	54	86	123	CK/001	2558
YCD240BWH CJ	Econ/OvMtr	575/3/60	242,000	324,000	9.5	54	86	123	CK/001	2693
YCD240BWH FJ	TCI	575/3/60	242,000	324,000	9.5	54	86	123	CK/001	2469
YCD240BWH GJ	Econ/TCI	575/3/60	242,000	324,000	9.5	54	86	123	CK/001	2604

Features:

- ReliaTel™ controls
- Built in anti-short cycle, time-delay relay and minimum on time controls
- ICS compatibility with either factory or field installed Trane Communications Interface (TCI)
- Quick-adjust idler arm assembly for belt and motor sheave adjustment
- 2" throwaway filters
- Short orifice refrigerant control

- Liquid line drier
- Operating charge of R-22
- Fork lift channels
- Trane-Tite-Top (T³) weather tight top and cabinet
- Trane 3-D® scroll compressors
- Dedicated downflow design
- Single side access
- Drum and tube gas heat exchanger
- Hot surface ignition system
- Aluminized steel drum material

- Sloped sheet metal drain pan
- Forced combustion
- Gas burner view port
- Negative pressure gas valve
- Quick-access panels with handles
- Internally enhanced coil tubing
- Low ambient cooling to 0° F standard
- Colored and numbered wiring
- UL listed and CSA certified
- **1 year compressor and heat exchanger warranty**



25 Ton YCH300B

Horizontal Packaged Gas/Electric

Specifications: Horizontal

Model Number	Factory Installed Option	Power Supply	Capacity Cooling (BTUH)	Capacity Heating Output (BTUH)	EER	Uncrated Dimensions (in.)			Mfg. Plant	Shipping Weight
						H	W	L		
YCH300B3L0H	—	208-230/3/60	290,000	203,000	9.7	54	86	123	CK/001	2541
YCH300B3LFH	TCI	208-230/3/60	290,000	203,000	9.7	54	86	123	CK/001	2542
YCH300B3H0H	—	208-230/3/60	290,000	324,000	9.7	54	86	123	CK/001	2541
YCH300B3HFB	TCI	208-230/3/60	290,000	324,000	9.7	54	86	123	CK/001	2542
YCH300B4L0H	—	460/3/60	290,000	203,000	9.7	54	86	123	CK/001	2541
YCH300B4LFH	TCI	460/3/60	290,000	203,000	9.7	54	86	123	CK/001	2542
YCH300B4H0H	—	460/3/60	290,000	324,000	9.7	54	86	123	CK/001	2541
YCH300B4HFB	TCI	460/3/60	290,000	324,000	9.7	54	86	123	CK/001	2542
YCH300BWL0H	—	575/3/60	290,000	203,000	9.7	54	86	123	CK/001	2541
YCH300BWLFB	TCI	575/3/60	290,000	203,000	9.7	54	86	123	CK/001	2542
YCH300BWH0H	—	575/3/60	290,000	324,000	9.7	54	86	123	CK/001	2541
YCH300BWHFB	TCI	575/3/60	290,000	324,000	9.7	54	86	123	CK/001	2542

Features:

- ReliaTel™ controls
- Built in anti-short cycle, time-delay relay and minimum on time controls
- ICS compatibility with either factory or field installed Trane Communications Interface (TCI)
- Quick-adjust idler arm assembly for belt and motor sheave adjustment
- 2" throwaway filters
- Short orifice refrigerant control
- Liquid line drier
- Operating charge of R-22
- Fork lift channels
- Trane-Tite-Top (T³) weather tight top and cabinet
- Trane 3-D® scroll compressors
- Dedicated horizontal design
- Single side access
- Drum and tube gas heat exchanger
- Hot surface ignition system
- Aluminized steel drum material
- Sloped sheet metal drain pan
- Forced combustion
- Gas burner view port
- Negative pressure gas valve
- Quick-access panels with handles
- Internally enhanced coil tubing
- Low ambient cooling to 0° F standard
- Colored and numbered wiring
- UL listed and CSA certified
- **1 year compressor and heat exchanger warranty**



25 Ton YCD300B

Downflow Packaged Gas/Electric

Specifications: Downflow

Model Number	Factory Installed Option	Power Supply	Capacity Cooling (BTUH)	Capacity Heating		EER	Uncrated Dimensions (in.)			Mfg. Plant	Shipping Weight
				(BTUH)	Output		H	W	L		
YCD300B3L0H	—	208-230/3/60	246,000	203,000	203,000	9.7	54	86	123	CK/001	2525
YCD300B3LAH	Economizer	208-230/3/60	246,000	203,000	203,000	9.7	54	86	123	CK/001	2660
YCD300B3LFH	TCI	208-230/3/60	246,000	203,000	203,000	9.7	54	86	123	CK/001	2526
YCD300B3LGH	Econ/TCI	208-230/3/60	246,000	203,000	203,000	9.7	54	86	123	CK/001	2661
YCD300B3H0H	—	208-230/3/60	246,000	324,000	324,000	9.7	54	86	123	CK/001	2525
YCD300B3HAH	Economizer	208-230/3/60	246,000	324,000	324,000	9.7	54	86	123	CK/001	2660
YCD300B3HFBH	TCI	208-230/3/60	246,000	324,000	324,000	9.7	54	86	123	CK/001	2526
YCD300B3HGH	Econ/TCI	208-230/3/60	246,000	324,000	324,000	9.7	54	86	123	CK/001	2661
YCD300B4L0H	—	460/3/60	246,000	203,000	203,000	9.7	54	86	123	CK/001	2525
YCD300B4LAH	Economizer	460/3/60	246,000	203,000	203,000	9.7	54	86	123	CK/001	2660
YCD300B4LFH	TCI	460/3/60	246,000	203,000	203,000	9.7	54	86	123	CK/001	2526
YCD300B4LGH	Econ/TCI	460/3/60	246,000	203,000	203,000	9.7	54	86	123	CK/001	2661
YCD300B4H0H	—	460/3/60	246,000	324,000	324,000	9.7	54	86	123	CK/001	2525
YCD300B4HAH	Economizer	460/3/60	246,000	324,000	324,000	9.7	54	86	123	CK/001	2660
YCD300B4HFBH	TCI	460/3/60	246,000	324,000	324,000	9.7	54	86	123	CK/001	2526
YCD300B4HGH	Econ/TCI	460/3/60	246,000	324,000	324,000	9.7	54	86	123	CK/001	2661
YCD300BWL0H	—	575/3/60	246,000	203,000	203,000	9.7	54	86	123	CK/001	2525
YCD300BWL0AH	Economizer	575/3/60	246,000	203,000	203,000	9.7	54	86	123	CK/001	2660
YCD300BWLFBH	TCI	575/3/60	246,000	203,000	203,000	9.7	54	86	123	CK/001	2526
YCD300BWLFBH	Econ/TCI	575/3/60	246,000	203,000	203,000	9.7	54	86	123	CK/001	2661
YCD300BWH0H	—	575/3/60	246,000	324,000	324,000	9.7	54	86	123	CK/001	2525
YCD300BWH0AH	Economizer	575/3/60	246,000	324,000	324,000	9.7	54	86	123	CK/001	2660
YCD300BWHFBH	TCI	575/3/60	246,000	324,000	324,000	9.7	54	86	123	CK/001	2526
YCD300BWHFBH	Econ/TCI	575/3/60	246,000	324,000	324,000	9.7	54	86	123	CK/001	2661

Features:

- ReliaTel™ controls
- Built in anti-short cycle, time-delay relay and minimum on time controls
- ICS compatibility with either factory or field installed Trane Communications Interface (TCI)
- Quick-adjust idler arm assembly for belt and motor sheave adjustment
- 2" throwaway filters
- Short orifice refrigerant control
- Liquid line drier
- Operating charge of R-22
- Fork lift channels
- Trane-Tite-Top (T³) weather tight top and cabinet
- Trane 3-D® scroll compressors
- Dedicated downflow design
- Single side access
- Drum and tube gas heat exchanger
- Hot surface ignition system
- Aluminized steel drum material
- Sloped sheet metal drain pan
- Forced combustion
- Gas burner view port
- Negative pressure gas valve
- Quick-access panels with handles
- Internally enhanced coil tubing
- Low ambient cooling to 0° F standard
- Colored and numbered wiring
- UL listed and CSA certified
- **1 year compressor and heat exchanger warranty**



20 — 25 Ton
YCH240 - 300B
YCD240 - 300B

**Horizontal and
Downflow
Packaged
Gas/Electric**

Accessories:

Model Number	Description	Used With	Mfg. Plant	Shipping Weight
Extended Warranties – (1 yr - 5 yr – See Extended Warranty Section)				
BAYABRD002B	ReliaTel™ Options Module	See Note ⑦	CK/001	2
BAYCURB027B①④	Downflow Roof Curb	YCD240-300B	CK/001	235
BAYDMPR029C	0-25% Manual Outside Air Damper	YCD240-300B YCH240-300B	CK/001	32
BAYDMPR058A	Motorized Outside Air Damper	YCD240-300B YCH240-300B	CK/001	75
BAYECON090A	Downflow Economizer with Barometric Relief	YCD240-300B	CK/001	135
BAYECON092A	Horizontal Economizer	YCH240-300B	CK/001	175
BAYGARD045A	Tool-less Condenser Coil Hail Guard	YC*240	CK/001	60
BAYGARD047A	Tool-less Condenser Coil Hail Guard	YC*300B	CK/100	60
BAYSTAT023	Remote Potentiometer	BAYECON090A,092A BAYDMPR058A	CK/001	1
BAYPWRX029A	Power Exhaust for use with Downflow Economizer 230V	YCD240-300B3	CK/001	95
BAYPWRX030A	Power Exhaust for use with Downflow Economizer 460V	YCD240-300B4	CK/001	95
BAYPWRX031A	Power Exhaust for use with Downflow Economizer 575V	YCD240-300BW	CK/001	95
BAYHSMT042A④	7½ HP Oversize Motor Kit	YCD240BW/YCH240BW	CK/001	90
BAYHSMT098A④	7½ HP Oversize Motor Kit	YC*240B3	CK/001	90
BAYHSMT099A④	7½ HP Oversize Motor Kit	YC*240B4	CK/001	90
BAYHSDR005B④	High Static Drive	YCD240B/YCH240B	CK/001	15
BAYHSDR010A④	High Static Drive	YCD300B/YCH300B	CK/001	15
BAYLSDR002A	Low Static Drive	YCD300B/YCH300B	CK/001	2
BAYLPKT018A	LP Conversion Kit	YCD240-300B/YCH240-300B	CK/001	1
BAYSERV001A	Selective Resistance Service Tester	YCD240-300B/YCH240-300B	CK/001	2
BAYSENS016A	Temperature Sensor	YCD240-300B/YCH240-300B	CK/001	1
BAYFRST003A③	High Temperature Stat	YCD240-300B/YCH240-300B	CK/001	1
BAYENTH007A②	Reference Enthalpy Kit	BAYECON090A BAYECON092A	CK/001	1
BAYENTH008A②	Comparative Enthalpy Kit	BAYECON090A BAYECON092A	CK/001	1
BAYDFPS005A⑧	Clogged Filter Switch	YCD240-300B YCH240-300B	CK/001	1
BAYDFPS006A⑧	Clogged Filter Switch	BAYECON090A,092A BAYDMPR058A	CK/001	1
BAYLOAM023A	Evaporator Defrost Control (Frostat)	YC*240-300B w/ReliaTel Options Module	CK/001	3
BAYTUBE008A⑤	Discharge Air Sensing Kit	YCD240-300B	CK/001	1
BAYTUBE009A⑤	Discharge Air Sensing Kit	YCH240-300B	CK/001	1
BAYVNOR002B	Ventilation Override Kit	YC*240-300B w/ReliaTel Options Module	CK/001	2

① For downflow use only. Cannot be adapted for horizontal units.

② Kits contain all necessary parts to achieve desired level of enthalpy control.

③ Must be used with either field or factory installed TCI (Trane Communication Interface).

④ High static drive and oversized motors are mutually exclusive. Do not combine.

⑤ Used for true discharge air sensing in both heating and cooling models. Functional only with ReliaTel Options Module (BAYABRD002B/FIYABRD002B).

⑥ Clarksville Manufacturing has a no-return policy for this roof curb.

⑦ BAYABRD002B is required when ordering field installed accessories Clogged Filter Switch (BAYDFPS005A), Fan Fail Switch (BAYDFPS006A), Discharge Air Sensing Kit (BAYTUBE008A or BAYTUBE009A), Frostat (BAYLOAM023A), Ventilation Override (BAYVNOR002B).

⑧ Functional only with ReliaTel Options Module (BAYABRD002B/FIYABRD002B).



12-1/2 Ton YCD150E

Downflow Packaged Gas/Electric

Specifications: Downflow

Model Number	Factory Installed Option	Power Supply	Capacity Cooling (BTUH)	Capacity Heating Output (BTUH)	EER	Uncrated Dimensions (in.)			Mfg. Plant	Shipping Weight
						H	W	L		
YCD150E3L0A	—	208-230/3/60	148,000	122,000	11.0	50	72	108	CK/001	1950
YCD150E3LAA	Economizer	208-230/3/60	148,000	122,000	11.0	50	72	108	CK/001	2040
YCD150E3LBA	Ov Motor	208-230/3/60	148,000	122,000	11.0	50	72	108	CK/001	2035
YCD150E3LCA	Econ/OvMtr	208-230/3/60	148,000	122,000	11.0	50	72	108	CK/001	2100
YCD150E3LFA	TCI	208-230/3/60	148,000	122,000	11.0	50	72	108	CK/001	1950
YCD150E3LGA	Econ/TCI	208-230/3/60	148,000	122,000	11.0	50	72	108	CK/001	2040
YCD150E3H0A	—	208-230/3/60	148,000	203,000	11.0	50	72	108	CK/001	2035
YCD150E3HAA	Economizer	208-230/3/60	148,000	203,000	11.0	50	72	108	CK/001	2100
YCD150E3HBA	Ov Motor	208-230/3/60	148,000	203,000	11.0	50	72	108	CK/001	1950
YCD150E3HCA	Econ/OvMtr	208-230/3/60	148,000	203,000	11.0	50	72	108	CK/001	2040
YCD150E3HFA	TCI	208-230/3/60	148,000	203,000	11.0	50	72	108	CK/001	2035
YCD150E3HGA	Econ/TCI	208-230/3/60	148,000	203,000	11.0	50	72	108	CK/001	2035
YCD150E4L0A	—	460/3/60	148,000	122,000	11.0	50	72	108	CK/001	1950
YCD150E4LAA	Economizer	460/3/60	148,000	122,000	11.0	50	72	108	CK/001	2040
YCD150E4LBA	Ov Motor	460/3/60	148,000	122,000	11.0	50	72	108	CK/001	2035
YCD150E4LCA	Econ/OvMtr	460/3/60	148,000	122,000	11.0	50	72	108	CK/001	2100
YCD150E4LFA	TCI	460/3/60	148,000	122,000	11.0	50	72	108	CK/001	1950
YCD150E4LGA	Econ/TCI	460/3/60	148,000	122,000	11.0	50	72	108	CK/001	2040
YCD150E4H0A	—	460/3/60	148,000	203,000	11.0	50	72	108	CK/001	2035
YCD150E4HAA	Economizer	460/3/60	148,000	203,000	11.0	50	72	108	CK/001	2100
YCD150E4HBA	Ov Motor	460/3/60	148,000	203,000	11.0	50	72	108	CK/001	1950
YCD150E4HCA	Econ/OvMtr	460/3/60	148,000	203,000	11.0	50	72	108	CK/001	2040
YCD150E4HFA	TCI	460/3/60	148,000	203,000	11.0	50	72	108	CK/001	1581
YCD150E4HGA	Econ/TCI	460/3/60	148,000	203,000	11.0	50	72	108	CK/001	2035
YCD150EWL0A	—	575/3/60	148,000	122,000	11.0	50	72	108	CK/001	1950
YCD150EWLAA	Economizer	575/3/60	148,000	122,000	11.0	50	72	108	CK/001	2040
YCD150EWLBA	Ov Motor	575/3/60	148,000	122,000	11.0	50	72	108	CK/001	2035
YCD150EWLCA	Econ/OvMtr	575/3/60	148,000	122,000	11.0	50	72	108	CK/001	2100
YCD150EWLFA	TCI	575/3/60	148,000	122,000	11.0	50	72	108	CK/001	2035
YCD150EWLGA	Econ/TCI	575/3/60	148,000	122,000	11.0	50	72	108	CK/001	2040
YCD150EWH0A	—	575/3/60	148,000	203,000	11.0	50	72	108	CK/001	2035
YCD150EWHAA	Economizer	575/3/60	148,000	203,000	11.0	50	72	108	CK/001	2100
YCD150EWHBA	Ov Motor	575/3/60	148,000	203,000	11.0	50	72	108	CK/001	1950
YCD150EWHCA	Econ/OvMtr	575/3/60	148,000	203,000	11.0	50	72	108	CK/001	2040
YCD150EWHFA	TCI	575/3/60	148,000	203,000	11.0	50	72	108	CK/001	2035
YCD150EWHGA	Econ/TCI	575/3/60	148,000	203,000	11.0	50	72	108	CK/001	2035



12-1/2 Ton YCH150E

Horizontal Packaged Gas/Electric

Specifications: Horizontal

Model Number	Factory Installed Option	Power Supply	Capacity Cooling (BTUH)	Capacity Heating		Uncrated Dimensions (in.)			Mfg. Plant	Shipping Weight
				Output (BTUH)	EER	H	W	L		
YCH150E3L0A	—	208-230/3/60	148,000	122,000	11.0	50	72	108	CK/001	1950
YCH150E3LBA	Ov Motor	208-230/3/60	148,000	122,000	11.0	50	72	108	CK/001	2040
YCH150E3LFA	TCI	208-230/3/60	148,000	122,000	11.0	50	72	108	CK/001	1955
YCH150E3H0A	—	208-230/3/60	148,000	203,000	11.0	50	72	108	CK/001	1950
YCH150E3HBA	Ov Motor	208-230/3/60	148,000	203,000	11.0	50	72	108	CK/001	2040
YCH150E3HFA	TCI	208-230/3/60	148,000	203,000	11.0	50	72	108	CK/001	1955
YCH150E4L0A	—	460/3/60	148,000	122,000	11.0	50	72	108	CK/001	1950
YCH150E4LBA	Ov Motor	460/3/60	148,000	122,000	11.0	50	72	108	CK/001	2040
YCH150E4LFA	TCI	460/3/60	148,000	122,000	11.0	50	72	108	CK/001	1955
YCH150E4H0A	—	460/3/60	148,000	203,000	11.0	50	72	108	CK/001	1950
YCH150E4HBA	Ov Motor	460/3/60	148,000	203,000	11.0	50	72	108	CK/001	2040
YCH150E4HFA	TCI	460/3/60	148,000	203,000	11.0	50	72	108	CK/001	1955
YCH150EWL0A	—	575/3/60	148,000	122,000	11.0	50	72	108	CK/001	1950
YCH150EWLBA	Ov Motor	575/3/60	148,000	122,000	11.0	50	72	108	CK/001	2040
YCH150EWLFA	TCI	575/3/60	148,000	122,000	11.0	50	72	108	CK/001	1955
YCH150EWH0A	—	575/3/60	148,000	203,000	11.0	50	72	108	CK/001	1950
YCH150EWHBA	Ov Motor	575/3/60	148,000	203,000	11.0	50	72	108	CK/001	2040
YCH150EWHFA	TCI	575/3/60	148,000	203,000	11.0	50	72	108	CK/001	1955

Features:

- ReliaTel™ controls
- Built in anti-short cycle, time-delay relay and minimum on time controls
- ICS compatibility with either factory or field installed Trane Communications Interface (TCI)
- Quick-adjust idler arm assembly for belt and motor sheave adjustment
- 2" throwaway filters
- Liquid line drier
- Operating charge of R-410A
- Fork lift channels
- Trane-Tite-Top (T³) weather tight top and cabinet
- Trane 3-D® scroll compressors
- Dedicated horizontal and downflow designs
- Single side access
- Drum and tube gas heat exchanger
- Short orifice refrigerant control
- Hot surface ignition system
- Aluminized steel drum material
- Forced combustion
- Gas burner view port
- Negative pressure gas valve
- Quick-access panels with handles
- Internally enhanced coil tubing
- Sloped sheet metal drain pan
- Low ambient cooling to 0° F standard
- Colored and numbered wiring
- UL listed and CSA certified
- **5 year compressor and heat exchanger warranty**



12-1/2 Ton
YCH150E
YCD150E

**Horizontal and
Downflow
Packaged
Gas/Electric**

Accessories:

Model Number	Description	Used With	Mfg. Plant	Shipping Weight
BAYABRD002B	ReliaTel™ Options Module	See Note ⑥	CK/001	2
BAYCURB026B①⑤	Downflow Roof Curb	YCD150E	CK/001	165
BAYDMPR029C	0-25% Manual Outside Air Damper	YC*150E	CK/001	32
BAYDMPR057A	Motorized Outside Air Damper	YC*150E	CK/001	35
BAYECON089A	Downflow Economizer with Barometric Relief	YCD150E	CK/001	90
BAYECON091A	Horizontal Economizer	YCH150E	CK/001	110
BAYGARD043B	Tool-less Condenser Coil Hail Guard	YC*150E	CK/001	50
BAYSTAT023	Remote Potentiometer	BAYECON089A,091A, BAYDMPR057A	CK/001	1
BAYPWRX029A	Power Exhaust for use with Downflow Economizer/ 230V	YCD150E3	CK/001	75
BAYPWRX030A	Power Exhaust for use with Downflow Economizer/ 460V	YCD150E4	CK/001	75
BAYPWRX031A	Power Exhaust for use with Downflow Economizer/ 575V	YCD150EW	CK/001	75
BAYHSMT039B	5 HP Oversize Motor Kit	YC*150E3,4	CK/001	95
BAYHSMT040B	5 HP Oversize Motor Kit	YCD150EW YCH150EW	CK/001	95
BAYLPKT018A	LP Conversion Kit	YC*150E	CK/001	1
BAYSERV001A	Selective Resistance Service Tester	YC*150E	CK/001	2
BAYSENS016A	Temperature Sensor	YC*150E	CK/001	1
BAYFRST003A③	High Temperature Stat	YC*150E	CK/001	1
BAYENTH007A②	Reference Enthalpy Kit	BAYECON089A BAYECON091A	CK/001	1
BAYENTH008A②	Comparative Enthalpy Kit	BAYECON089A BAYECON091A	CK/001	1
BAYDFPS005A⑦	Clogged Filter Switch	YC*150E	CK/001	1
BAYDFPS006A⑦	Fan Failure Switch	BAYECON089A,091A BAYDMPR057A	CK/001	1
BAYLOAM023A	Evaporator Defrost Control (Frostat)	YC*150E w/ReliaTel Options Module	CK/001	3
BAYTUBE008A④	Discharge Air Sensing Kit	YCD150E	CK/001	1
BAYTUBE009A④	Discharge Air Sensing Kit	YCH150E	CK/001	1
BAYVNOR002B	Ventilation Override Kit	YC*150E w/ReliaTel Options Module	CK/001	2

① For downflow use only. Cannot be adapted for horizontal units.

② Kits contain all necessary parts to achieve desired level of enthalpy control.

③ Must be used with either field or factory installed TCI (Trane Communication Interface).

④ Used for true discharge air sensing in both heating and cooling models. Functional only with ReliaTel Options Module (BAYABRD002B/FIYABRD002B).

⑤ Clarksville Manufacturing has a no-return policy for this roof curb.

⑥ BAYABRD002B is required when ordering field installed accessories Clogged Filter Switch (BAYDFPS005A), Fan Fail Switch (BAYDFPS006A), Discharge Air Sensing Kit (BAYTUBE008A or BAYTUBE009A), Frostat (BAYLOAM023A), Ventilation Override (BAYVNOR002B).

⑦ Functional only with ReliaTel Options Module (BAYABRD002B/FIYABRD002B).

FOR CHOICE OF ZONE SENSORS (MICRO THERMOSTATS) SEE LAST PAGE BEFORE
"HIGH EFFICIENCY" GAS/ELECTRIC



15 Ton YCH180E

Horizontal Packaged Gas/Electric

Specifications: Horizontal

Model Number	Factory Installed Option	Power Supply	Capacity Cooling (BTUH)	Capacity Heating		Uncrated Dimensions (in.)			Mfg. Plant	Shipping Weight
				Output (BTUH)	EER	H	W	L		
YCH180E3L0A	—	208-230/3/60	178,000	203,000	11.0	54	86	123	CK/001	2475
YCH180E3LBA	Ov Motor	208-230/3/60	178,000	203,000	11.0	54	86	123	CK/001	2575
YCH180E3LFA	TCI	208-230/3/60	178,000	203,000	11.0	54	86	123	CK/001	2477
YCH180E3H0A	—	208-230/3/60	178,000	284,000	11.0	54	86	123	CK/001	2475
YCH180E3HBA	Ov Motor	208-230/3/60	178,000	284,000	11.0	54	86	123	CK/001	2575
YCH180E3HFA	TCI	208-230/3/60	178,000	284,000	11.0	54	86	123	CK/001	2477
YCH180E4L0A	—	460/3/60	178,000	203,000	11.0	54	86	123	CK/001	2475
YCH180E4LBA	Ov Motor	460/3/60	178,000	203,000	11.0	54	86	123	CK/001	2575
YCH180E4LFA	TCI	460/3/60	178,000	203,000	11.0	54	86	123	CK/001	2477
YCH180E4H0A	—	460/3/60	178,000	284,000	11.0	54	86	123	CK/001	2475
YCH180E4HBA	Ov Motor	460/3/60	178,000	284,000	11.0	54	86	123	CK/001	2575
YCH180E4HFA	TCI	460/3/60	178,000	284,000	11.0	54	86	123	CK/001	2477
YCH180EWL0A	—	575/3/60	178,000	203,000	11.0	54	86	123	CK/001	2475
YCH180EWLBA	Ov Motor	575/3/60	178,000	203,000	11.0	54	86	123	CK/001	2575
YCH180EWLFA	TCI	575/3/60	178,000	203,000	11.0	54	86	123	CK/001	2477
YCH180EWH0A	—	575/3/60	178,000	284,000	11.0	54	86	123	CK/001	2475
YCH180EWHBA	Ov Motor	575/3/60	178,000	284,000	11.0	54	86	123	CK/001	2575
YCH180EWHFA	TCI	575/3/60	178,000	284,000	11.0	54	86	123	CK/001	2477

Features:

- ReliaTel™ controls
- Built in anti-short cycle, time-delay relay and minimum on time controls
- ICS compatibility with either factory or field installed Trane Communications Interface (TCI)
- Quick-adjust idler arm assembly for belt and motor sheave adjustment
- 2" throwaway filters
- Liquid line drier
- Operating charge of R-410A
- Fork lift channels
- Trane-Tite-Top (T³) weather tight top and cabinet
- Trane 3-D® scroll compressors
- Dedicated horizontal and downflow designs
- Single side access
- Drum and tube gas heat exchanger
- Short orifice refrigerant control
- Hot surface ignition system
- Aluminized steel drum material
- Forced combustion
- Gas burner view port
- Negative pressure gas valve
- Quick-access panels with handles
- Internally enhanced coil tubing
- Sloped sheet metal drain pan
- Low ambient cooling to 0° F standard
- Colored and numbered wiring
- UL listed and CSA certified
- **5 year compressor and heat exchanger warranty**



15 Ton YCD180E

Downflow Packaged Gas/Electric

Specifications: Downflow

Model Number	Factory Installed Option	Power Supply	Capacity			Uncrated Dimensions (in.)			Mfg. Plant	Shipping Weight
			Capacity Cooling (BTUH)	Capacity Heating Output (BTUH)	EER	H	W	L		
YCD180E3LOA	—	208-230/3/60	178,000	203,000	11.0	54	86	123	CK/001	2475
YCD180E3LAA	Economizer	208-230/3/60	178,000	203,000	11.0	54	86	123	CK/001	2585
YCD180E3LBA	Ov Motor	208-230/3/60	178,000	203,000	11.0	54	86	123	CK/001	2520
YCD180E3LCA	Econ/OvMtr	208-230/3/60	178,000	203,000	11.0	54	86	123	CK/001	2655
YCD180E3LFA	TCI	208-230/3/60	178,000	203,000	11.0	54	86	123	CK/001	2476
YCD180E3LGA	Econ/TCI	208-230/3/60	178,000	203,000	11.0	54	86	123	CK/001	2656
YCD180E3HOA	—	208-230/3/60	178,000	284,000	11.0	54	86	123	CK/001	2475
YCD180E3HAA	Economizer	208-230/3/60	178,000	284,000	11.0	54	86	123	CK/001	2585
YCD180E3HBA	Ov Motor	208-230/3/60	178,000	284,000	11.0	54	86	123	CK/001	2520
YCD180E3HCA	Econ/OvMtr	208-230/3/60	178,000	284,000	11.0	54	86	123	CK/001	2655
YCD180E3HFA	TCI	208-230/3/60	178,000	284,000	11.0	54	86	123	CK/001	2476
YCD180E3HGA	Econ/TCI	208-230/3/60	178,000	284,000	11.0	54	86	123	CK/001	2656
YCD180E4LOA	—	460/3/60	178,000	203,000	11.0	54	86	123	CK/001	2475
YCD180E4LAA	Economizer	460/3/60	178,000	203,000	11.0	54	86	123	CK/001	2585
YCD180E4LBA	Ov Motor	460/3/60	178,000	203,000	11.0	54	86	123	CK/001	2520
YCD180E4LCA	Econ/OvMtr	460/3/60	178,000	203,000	11.0	54	86	123	CK/001	2655
YCD180E4LFA	TCI	460/3/60	178,000	203,000	11.0	54	86	123	CK/001	2476
YCD180E4LGA	Econ/TCI	460/3/60	178,000	203,000	11.0	54	86	123	CK/001	2656
YCD180E4HOA	—	460/3/60	178,000	284,000	11.0	54	86	123	CK/001	2475
YCD180E4HAA	Economizer	460/3/60	178,000	284,000	11.0	54	86	123	CK/001	2585
YCD180E4HBA	Ov Motor	460/3/60	178,000	284,000	11.0	54	86	123	CK/001	2520
YCD180E4HCA	Econ/OvMtr	460/3/60	178,000	284,000	11.0	54	86	123	CK/001	2655
YCD180E4HFA	TCI	460/3/60	178,000	284,000	11.0	54	86	123	CK/001	2476
YCD180E4HGA	Econ/TCI	460/3/60	178,000	284,000	11.0	54	86	123	CK/001	2656
YCD180EWLOA	—	575/3/60	178,000	203,000	11.0	54	86	123	CK/001	2475
YCD180EWLAA	Economizer	575/3/60	178,000	203,000	11.0	54	86	123	CK/001	2585
YCD180EWLBA	Ov Motor	575/3/60	178,000	203,000	11.0	54	86	123	CK/001	2520
YCD180EWLCA	Econ/OvMtr	575/3/60	178,000	203,000	11.0	54	86	123	CK/001	2655
YCD180EWLFA	TCI	575/3/60	178,000	203,000	11.0	54	86	123	CK/001	2476
YCD180EWLGA	Econ/TCI	575/3/60	178,000	203,000	11.0	54	86	123	CK/001	2656
YCD180EWHOA	—	575/3/60	178,000	284,000	11.0	54	86	123	CK/001	2475
YCD180EWHAA	Economizer	575/3/60	178,000	284,000	11.0	54	86	123	CK/001	2585
YCD180EWHBA	Ov Motor	575/3/60	178,000	284,000	11.0	54	86	123	CK/001	2520
YCD180EWHCA	Econ/OvMtr	575/3/60	178,000	284,000	11.0	54	86	123	CK/001	2655
YCD180EWHFA	TCI	575/3/60	178,000	284,000	11.0	54	86	123	CK/001	2476
YCD180EWHGA	Econ/TCI	575/3/60	178,000	284,000	11.0	54	86	123	CK/001	2656

Features:

- ReliaTel™ controls
- Built in anti-short cycle, time-delay relay and minimum on time controls
- ICS compatibility with either factory or field installed Trane Communications Interface (TCI)
- Quick-adjust idler arm assembly for belt and motor sheave adjustment
- 2" throwaway filters
- Short orifice refrigerant control
- Liquid line drier
- Operating charge of R-410A
- Fork lift channels
- Trane-Tite-Top (T³) weather tight top and cabinet
- Trane 3-D® scroll compressors
- Dedicated downflow design
- Single side access
- Drum and tube gas heat exchanger
- Hot surface ignition system
- Aluminized steel drum material
- Forced combustion
- Gas burner view port
- Negative pressure gas valve
- Quick-access panels with handles
- Sloped sheet metal drain pan
- Internally enhanced coil tubing
- Low ambient cooling to 0°F standard
- colored and numbered wiring
- UL listed and CSA certified
- **5 year compressor and heat exchanger warranty**



15 Ton
YCH180E
YCD180E

**Horizontal and
Downflow
Packaged
Gas/Electric**

Accessories:

Model Number	Description	Used With	Mfg. Plant	Shipping Weight
BAYABRD002B	ReliaTel™ Options Module	See Note ⑦	CK/001	2
BAYCURB026B①⑤	Downflow Roof Curb	YCD180E	CK/001	205
BAYDMPR029C	0-25% Manual Outside Air Damper	YC*180E	CK/001	32
BAYDMPR057A	Motorized Outside Air Damper	YC*180E	CK/001	60
BAYECON089A	Downflow Economizer with Barometric Relief	YCD180E	CK/001	115
BAYECON091A	Horizontal Economizer	YCH180E	CK/001	150
BAYGARD044B	Tool-less Condenser Coil Hail Guard	YC*180E	CK/001	50
BAYSTAT023	Remote Potentiometer	BAYECON089A,091A BAYDMPR057A	CK/001	1
BAYPWRX029A	Power Exhaust for use with Downflow Economizer/ 230V	YCD180E3	CK/001	95
BAYPWRX030A	Power Exhaust for use with Downflow Economizer/ 460V	YCD180E4	CK/001	95
BAYPWRX031A	Power Exhaust for use with Downflow Economizer/ 575V	YCD180EW	CK/001	95
BAYHSMT039B⑤	5 HP Oversize Motor Kit	YC*180E	CK/001	75
BAYHSMT040B⑤	5 HP Oversize Motor Kit	YCD180EW YCH180EW	CK/001	75
BAYHSDR005B⑤	High Static Drive	YC*180E	CK/001	15
BAYLPKT018A	LP Conversion Kit	YC*180E	CK/001	1
BAYSERV001A	Selective Resistance Service Tester	YC*180E	CK/001	2
BAYSENS016A	Temperature Sensor	YC*180E	CK/001	1
BAYFRST003A③	High Temperature Stat	YC*180E	CK/001	1
BAYENTH007A②	Reference Enthalpy Kit	BAYECON089A BAYECON091A	CK/001	1
BAYENTH008A②	Comparative Enthalpy Kit	BAYECON089A BAYECON091A	CK/001	1
BAYDFPS005A⑧	Clogged Filter Switch	YC*180E	CK/001	1
BAYDFPS006A⑧	Fan Failure Switch	BAYECON089A,091A BAYDMPR057A	CK/001	1
BAYLOAM023A	Evaporator Defrost Control (Frostat)	YC*180E w/ReliaTel Options Module	CK/001	3
BAYTUBE008A④	Discharge Air Sensing Kit	YCD180E	CK/001	1
BAYTUBE009A④	Discharge Air Sensing Kit	YCH180E	CK/001	1
BAYVNOR002B	Ventilation Override Kit	YC*180E w/ReliaTel Options Module	CK/001	2

① For downflow use only. Cannot be adapted for horizontal units.

② Kits contain all necessary parts to achieve desired level of enthalpy control.

③ Must be used with either field or factory installed TCI (Trane Communication Interface).

④ Used for true discharge air sensing in both heating and cooling models. Functional only with ReliaTel Options Module (BAYABRD002B/FIYABRD002B).

⑤ Clarksville Manufacturing has a no-return policy for this roof curb.

⑥ High static drive and oversized motors are mutually exclusive. Do not combine.

⑦ BAYABRD002B is required when ordering field installed accessories Clogged Filter Switch (BAYDFPS005A), Fan Fail Switch (BAYDFPS006A), Discharge Air Sensing Kit (BAYTUBE008A or BAYTUBE009A), Frostat (BAYLOAM023A), Ventilation Override (BAYVNOR002B).

⑧ Functional only with ReliaTel Options Module (BAYABRD002B/FIYABRD002B).



17-1/2Ton YCH210E

Horizontal Packaged Gas/Electric

Specifications: Horizontal

Model Number	Factory Installed Option	Power Supply	Capacity Cooling (BTUH)	Capacity Heating Output (BTUH)	EER	Uncrated Dimensions (in.)			Mfg. Plant	Shipping Weight
						H	W	L		
YCH210E3L0A	—	208-230/3/60	198,000	203,000	11.0	54	86	123	CK/001	2540
YCH210E3LBA	Ov Motor	208-230/3/60	198,000	203,000	11.0	54	86	123	CK/001	2560
YCH210E3LFA	TCI	208-230/3/60	198,000	203,000	11.0	54	86	123	CK/001	2541
YCH210E3H0A	—	208-230/3/60	198,000	284,000	11.0	54	86	123	CK/001	2540
YCH210E3HBA	Ov Motor	208-230/3/60	198,000	284,000	11.0	54	86	123	CK/001	2560
YCH210E3HFA	TCI	208-230/3/60	198,000	284,000	11.0	54	86	123	CK/001	2541
YCH210E4L0A	—	460/3/60	198,000	203,000	11.0	54	86	123	CK/001	2540
YCH210E4LBA	Ov Motor	460/3/60	198,000	203,000	11.0	54	86	123	CK/001	2560
YCH210E4LFA	TCI	460/3/60	198,000	203,000	11.0	54	86	123	CK/001	2541
YCH210E4H0A	—	460/3/60	198,000	284,000	11.0	54	86	123	CK/001	2540
YCH210E4HBA	Ov Motor	460/3/60	198,000	284,000	11.0	54	86	123	CK/001	2560
YCH210E4HFA	TCI	460/3/60	198,000	284,000	11.0	54	86	123	CK/001	2541
YCH210EWL0A	—	575/3/60	198,000	203,000	11.0	54	86	123	CK/001	2540
YCH210EWLBA	Ov Motor	575/3/60	198,000	203,000	11.0	54	86	123	CK/001	2560
YCH210EWLFA	TCI	575/3/60	198,000	203,000	11.0	54	86	123	CK/001	2541
YCH210EWH0A	—	575/3/60	198,000	284,000	11.0	54	86	123	CK/001	2540
YCH210EWHBA	Ov Motor	575/3/60	198,000	284,000	11.0	54	86	123	CK/001	2560
YCH210EWHFA	TCI	575/3/60	198,000	284,000	11.0	54	86	123	CK/001	2541

Features:

- ReliaTel™ controls
- Built in anti-short cycle, time-delay relay and minimum on time controls
- ICS compatibility with either factory or field installed Trane Communications Interface (TCI)
- Quick-adjust idler arm assembly for belt and motor sheave adjustment
- 2" throwaway filters
- Liquid line drier
- Operating charge of R-410A
- Short orifice refrigerant control
- Fork lift channels
- Trane-Tite-Top (T³) weather tight top and cabinet
- Trane 3-D® scroll compressors
- Dedicated horizontal and downflow designs
- Single side access
- Drum and tube gas heat exchanger
- Hot surface ignition system
- Aluminized steel drum material
- Forced combustion
- Gas burner view port
- Negative pressure gas valve
- Quick-access panels with handles
- Sloped sheet metal drain pan
- Internally enhanced coil tubing
- Low ambient cooling to 0° F standard
- Colored and numbered wiring
- UL listed and CSA certified
- **5 year compressor and heat exchanger warranty on 17-1/2 ton units**
- **Optional extended warranties**



17-1/2Ton YCD210E

Downflow Packaged Gas/Electric

Specifications: Downflow

Model Number	Factory Installed Option	Power Supply	Capacity Cooling (BTUH)	Capacity Heating		Uncrated Dimensions (in.)			Mfg. Plant	Shipping Weight
				Output (BTUH)	EER	H	W	L		
YCD210E3L0A	—	208-230/3/60	198,000	203,000	11.0	54	86	123	CK/001	2540
YCD210E3LAA	Economizer	208-230/3/60	198,000	203,000	11.0	54	86	123	CK/001	2630
YCD210E3LBA	Ov Motor	208-230/3/60	198,000	203,000	11.0	54	86	123	CK/001	2580
YCD210E3LCA	Econ/OvMtr	208-230/3/60	198,000	203,000	11.0	54	86	123	CK/001	2670
YCD210E3LFA	TCI	208-230/3/60	198,000	203,000	11.0	54	86	123	CK/001	2541
YCD210E3LGA	Econ/TCI	208-230/3/60	198,000	203,000	11.0	54	86	123	CK/001	2631
YCD210E3H0A	—	208-230/3/60	198,000	284,000	11.0	54	86	123	CK/001	2540
YCD210E3HAA	Economizer	208-230/3/60	198,000	284,000	11.0	54	86	123	CK/001	2630
YCD210E3HBA	Ov Motor	208-230/3/60	198,000	284,000	11.0	54	86	123	CK/001	2580
YCD210E3HCA	Econ/OvMtr	208-230/3/60	198,000	284,000	11.0	54	86	123	CK/001	2670
YCD210E3HFA	TCI	208-230/3/60	198,000	284,000	11.0	54	86	123	CK/001	2541
YCD210E3HGA	Econ/TCI	208-230/3/60	198,000	284,000	11.0	54	86	123	CK/001	2631
YCD210E4L0A	—	460/3/60	198,000	203,000	11.0	54	86	123	CK/001	2540
YCD210E4LAA	Economizer	460/3/60	198,000	203,000	11.0	54	86	123	CK/001	2630
YCD210E4LBA	Ov Motor	460/3/60	198,000	203,000	11.0	54	86	123	CK/001	2580
YCD210E4LCA	Econ/OvMtr	460/3/60	198,000	203,000	11.0	54	86	123	CK/001	2670
YCD210E4LFA	TCI	460/3/60	198,000	203,000	11.0	54	86	123	CK/001	2541
YCD210E4LGA	Econ/TCI	460/3/60	198,000	203,000	11.0	54	86	123	CK/001	2631
YCD210E4H0A	—	460/3/60	198,000	284,000	11.0	54	86	123	CK/001	2540
YCD210E4HAA	Economizer	460/3/60	198,000	284,000	11.0	54	86	123	CK/001	2630
YCD210E4HBA	Ov Motor	460/3/60	198,000	284,000	11.0	54	86	123	CK/001	2580
YCD210E4HCA	Econ/OvMtr	460/3/60	198,000	284,000	11.0	54	86	123	CK/001	2670
YCD210E4HFA	TCI	460/3/60	198,000	284,000	11.0	54	86	123	CK/001	2541
YCD210E4HGA	Econ/TCI	460/3/60	198,000	284,000	11.0	54	86	123	CK/001	2631
YCD210EWL0A	—	575/3/60	198,000	203,000	11.0	54	86	123	CK/001	2540
YCD210EWLAA	Economizer	575/3/60	198,000	203,000	11.0	54	86	123	CK/001	2630
YCD210EWLBA	Ov Motor	575/3/60	198,000	203,000	11.0	54	86	123	CK/001	2580
YCD210EWLCA	Econ/OvMtr	575/3/60	198,000	203,000	11.0	54	86	123	CK/001	2670
YCD210EWLFA	TCI	575/3/60	198,000	203,000	11.0	54	86	123	CK/001	2541
YCD210EWLGA	Econ/TCI	575/3/60	198,000	203,000	11.0	54	86	123	CK/001	2631
YCD210EWH0A	—	575/3/60	198,000	284,000	11.0	54	86	123	CK/001	2540
YCD210EWHAA	Economizer	575/3/60	198,000	284,000	11.0	54	86	123	CK/001	2630
YCD210EWHBA	Ov Motor	575/3/60	198,000	284,000	11.0	54	86	123	CK/001	2580
YCD210EWHCA	Econ/OvMtr	575/3/60	198,000	284,000	11.0	54	86	123	CK/001	2670
YCD210EWHFA	TCI	575/3/60	198,000	284,000	11.0	54	86	123	CK/001	2541
YCD210EWHGA	Econ/TCI	575/3/60	198,000	284,000	11.0	54	86	123	CK/001	2631

Features:

- ReliaTel™ controls
- Built in anti-short cycle, time-delay relay and minimum on time controls
- ICS compatibility with either factory or field installed Trane Communications Interface (TCI)
- Quick-adjust idler arm assembly for belt and motor sheave adjustment
- 2" throwaway filters
- Short orifice refrigerant control
- Liquid line drier
- Operating charge of R-410A
- Fork lift channels
- Trane-Tite-Top (T³) weather tight top and cabinet
- Trane 3-D® scroll compressors
- Dedicated downflow design
- Single side access
- Drum and tube gas heat exchanger
- Hot surface ignition system
- Aluminized steel drum material
- Forced combustion
- Gas burner view port
- Negative pressure gas valve
- Sloped sheet metal drain pan
- Quick-access panels with handles
- Internally enhanced coil tubing
- Low ambient cooling to 0° F standard
- Colored and numbered wiring
- UL listed and CSA certified
- **5 year compressor and heat exchanger warranty**



17-1/2 Ton
YCH210E
YCD210E

**Horizontal and
Downflow
Packaged
Gas/Electric**

Accessories:

Model Number	Description	Used With	Mfg. Plant	Shipping Weight
BAYABRD002B	ReliaTel™ Options Module	See Note ⑦	CK/001	2
BAYCURB026B①⑥	Downflow Roof Curb	YCD210E	CK/001	205
BAYDMPR029C	0-25% Manual Outside Air Damper	YC*210E	CK/001	32
BAYDMPR057A	Motorized Outside Air Damper	YC*210E	CK/001	60
BAYECON089A	Downflow Economizer with Barometric Relief	YCD210E	CK/001	115
BAYECON091A	Horizontal Economizer	YCH210E	CK/001	140
BAYGARD044B	Tool-less Condenser Coil Hail Guard	YC*210E	CK/001	50
BAYSTAT023	Remote Potentiometer	BAYECON089A,091A BAYDMPR057A	CK/001	1
BAYPWRX029A	Power Exhaust for use with Downflow Economizer 230V	YCD210E3	CK/001	95
BAYPWRX030A	Power Exhaust for use with Downflow Economizer 460V	YCD210E4	CK/001	95
BAYPWRX031A	Power Exhaust for use with Downflow Economizer/575V	YCD210EW	CK/001	95
BAYHSMT059A④	7½ HP Oversize Motor Kit	YC*210E	CK/001	110
BAYHSMT060A④	7½ HP Oversize Motor Kit	YC*210E4	CK/001	110
BAYHSMT061A④	7½ HP Oversize Motor Kit/575V	YCD/YCH210EW	CK/001	110
BAYLSDR004A④	Low Static Drive	YC*210E	CK/001	15
BAYLPKT018A	LP Conversion Kit	YC*210E	CK/001	1
BAYSERV001A	Selective Resistance Service Tester	YC*210E	CK/001	1
BAYSENS016A	Temperature Sensor	YC*210E	CK/001	1
BAYFRST003A③	High Temperature Stat	YC*210E	CK/001	1
BAYENTH007A②	Reference Enthalpy Kit	BAYECON089A BAYECON091A	CK/001	1
BAYENTH008A②	Comparative Enthalpy Kit	BAYECON089A BAYECON091A	CK/001	1
BAYDFPS005A⑧	Clogged Filter Switch	YCD210-300E	CK/001	1
BAYDFPS006A⑧	Fan Failure Switch	BAYECON089A,091A BAYDMPR057A	CK/001	1
BAYLOAM023A	Evaporator Defrost Control (Frostat)	YC*210E w/ReliaTel Options Module	CK/001	3
BAYTUBE008A⑤	Discharge Air Sensing Kit	YCD210E	CK/001	1
BAYTUBE009A⑤	Discharge Air Sensing Kit	YCH210E	CK/001	1
BAYVNOR002B	Ventilation Override Kit	YC*210E w/ReliaTel Options Module	CK/001	2

① For downflow use only. Cannot be adapted for horizontal units.

② Kits contain all necessary parts to achieve desired level of enthalpy control.

③ Must be used with either field or factory installed TCI (Trane Communication Interface).

④ Low static drive and oversized motors are mutually exclusive. Do not combine.

⑤ Used for true discharge air sensing in both heating and cooling models. Functional only with ReliaTel Options Module (BAYABRD002B/FIYABRD002B).

⑥ Clarksville Manufacturing has a no-return policy for this roof curb.

⑦ BAYABRD002B is required when ordering field installed accessories Clogged Filter Switch (BAYDFPS005A), Fan Fail Switch (BAYDFPS006A), Discharge Air Sensing Kit (BAYTUBE008A or BAYTUBE009A), Frostat (BAYLOAM023A), Ventilation Override (BAYVNOR002B).

⑧ Functional only with ReliaTel Options Module (BAYABRD002B/FIYABRD002B).



20 Ton YCH240E

Horizontal Packaged Gas/Electric

Specifications: Horizontal

Model Number	Factory Installed Option	Power Supply	Capacity Cooling (BTUH)	Capacity Heating		Uncrated Dimensions (in.)			Mfg. Plant	Shipping Weight
				Output (BTUH)	EER	H	W	L		
YCH240E3L0A	—	208-230/3/60	240,000	203,000	10.2	54	86	123	CK/001	2600
YCH240E3LBA	Ov Motor	208-230/3/60	240,000	203,000	10.2	54	86	123	CK/001	2640
YCH240E3LFA	TCI	208-230/3/60	240,000	203,000	10.2	54	86	123	CK/001	2641
YCH240E3H0A	—	208-230/3/60	240,000	324,000	10.2	54	86	123	CK/001	2600
YCH240E3HBA	Ov Motor	208-230/3/60	240,000	324,000	10.2	54	86	123	CK/001	2640
YCH240E3HFA	TCI	208-230/3/60	240,000	324,000	10.2	54	86	123	CK/001	2641
YCH240E4L0A	—	460/3/60	240,000	203,000	10.2	54	86	123	CK/001	2600
YCH240E4LBA	Ov Motor	460/3/60	240,000	203,000	10.2	54	86	123	CK/001	2640
YCH240E4LFA	TCI	460/3/60	240,000	203,000	10.2	54	86	123	CK/001	2641
YCH240E4H0A	—	460/3/60	240,000	324,000	10.2	54	86	123	CK/001	2600
YCH240E4HBA	Ov Motor	460/3/60	240,000	324,000	10.2	54	86	123	CK/001	2640
YCH240E4HFA	TCI	460/3/60	240,000	324,000	10.2	54	86	123	CK/001	2641
YCH240EWL0A	—	575/3/60	240,000	203,000	10.2	54	86	123	CK/001	2600
YCH240EWLBA	Ov Motor	575/3/60	240,000	203,000	10.2	54	86	123	CK/001	2640
YCH240EWLFA	TCI	575/3/60	240,000	203,000	10.2	54	86	123	CK/001	2641
YCH240EWH0A	—	575/3/60	240,000	324,000	10.2	54	86	123	CK/001	2600
YCH240EWHBA	Ov Motor	575/3/60	240,000	324,000	10.2	54	86	123	CK/001	2640
YCH240EWHFA	TCI	575/3/60	240,000	324,000	10.2	54	86	123	CK/001	2641

Features:

- ReliaTel™ controls
- Built in anti-short cycle, time-delay relay and minimum on time controls
- ICS compatibility with either factory or field installed Trane Communications Interface (TCI)
- Quick-adjust idler arm assembly for belt and motor sheave adjustment
- 2" throwaway filters
- Liquid line drier
- Operating charge of R-410A
- Short orifice refrigerant control
- Fork lift channels
- Trane-Tite-Top (T³) weather tight top and cabinet
- Trane 3-D® scroll compressors
- Dedicated horizontal and downflow designs
- Single side access
- Drum and tube gas heat exchanger
- Hot surface ignition system
- Aluminized steel drum material
- Forced combustion
- Gas burner view port
- Negative pressure gas valve
- Sloped sheet metal drain pan
- Quick-access panels with handles
- Internally enhanced coil tubing
- Low ambient cooling to 0° F standard
- Colored and numbered wiring
- UL listed and CSA certified
- **1 year compressor and heat exchanger warranty**



20 Ton YCD240E

Downflow Packaged Gas/Electric

Specifications: Downflow

Model Number	Factory Installed Option	Power Supply	Capacity			Uncrated Dimensions (in.)			Mfg. Plant	Shipping Weight
			Capacity Cooling (BTUH)	Capacity Heating Output (BTUH)	EER	H	W	L		
YCD240E3L0A	—	208-230/3/60	240,000	203,000	10.2	54	86	123	CK/001	2640
YCD240E3LAA	Economizer	208-230/3/60	240,000	203,000	10.2	54	86	123	CK/001	2730
YCD240E3LBA	Ov Motor	208-230/3/60	240,000	203,000	10.2	54	86	123	CK/001	2680
YCD240E3LCA	Econ/OvMtr	208-230/3/60	240,000	203,000	10.2	54	86	123	CK/001	2770
YCD240E3LFA	TCI	208-230/3/60	240,000	203,000	10.2	54	86	123	CK/001	2641
YCD240E3LGA	Econ/TCI	208-230/3/60	240,000	203,000	10.2	54	86	123	CK/001	2731
YCD240E3H0A	—	208-230/3/60	240,000	324,000	10.2	54	86	123	CK/001	2640
YCD240E3HAA	Economizer	208-230/3/60	240,000	324,000	10.2	54	86	123	CK/001	2730
YCD240E3HBA	Ov Motor	208-230/3/60	240,000	324,000	10.2	54	86	123	CK/001	2680
YCD240E3HCA	Econ/OvMtr	208-230/3/60	240,000	324,000	10.2	54	86	123	CK/001	2770
YCD240E3HFA	TCI	208-230/3/60	240,000	324,000	10.2	54	86	123	CK/001	2641
YCD240E3HGA	Econ/TCI	208-230/3/60	240,000	324,000	10.2	54	86	123	CK/001	2731
YCD240E4L0A	—	460/3/60	240,000	203,000	10.2	54	86	123	CK/001	2640
YCD240E4LAA	Economizer	460/3/60	240,000	203,000	10.2	54	86	123	CK/001	2730
YCD240E4LBA	Ov Motor	460/3/60	240,000	203,000	10.2	54	86	123	CK/001	2680
YCD240E4LCA	Econ/OvMtr	460/3/60	240,000	203,000	10.2	54	86	123	CK/001	2770
YCD240E4LFA	TCI	460/3/60	240,000	203,000	10.2	54	86	123	CK/001	2641
YCD240E4LGA	Econ/TCI	460/3/60	240,000	203,000	10.2	54	86	123	CK/001	2731
YCD240E4H0A	—	460/3/60	240,000	324,000	10.2	54	86	123	CK/001	2640
YCD240E4HAA	Economizer	460/3/60	240,000	324,000	10.2	54	86	123	CK/001	2730
YCD240E4HBA	Ov Motor	460/3/60	240,000	324,000	10.2	54	86	123	CK/001	2680
YCD240E4HCA	Econ/OvMtr	460/3/60	240,000	324,000	10.2	54	86	123	CK/001	2770
YCD240E4HFA	TCI	460/3/60	240,000	324,000	10.2	54	86	123	CK/001	2641
YCD240E4HGA	Econ/TCI	460/3/60	240,000	324,000	10.2	54	86	123	CK/001	2731
YCD240EWL0A	—	575/3/60	240,000	203,000	10.2	54	86	123	CK/001	2640
YCD240EWLAA	Economizer	575/3/60	240,000	203,000	10.2	54	86	123	CK/001	2730
YCD240EWLBA	Ov Motor	575/3/60	240,000	203,000	10.2	54	86	123	CK/001	2680
YCD240EWLCA	Econ/OvMtr	575/3/60	240,000	203,000	10.2	54	86	123	CK/001	2770
YCD240EWLFA	TCI	575/3/60	240,000	203,000	10.2	54	86	123	CK/001	2641
YCD240EWLGA	Econ/TCI	575/3/60	240,000	203,000	10.2	54	86	123	CK/001	2731
YCD240EWH0A	—	575/3/60	240,000	324,000	10.2	54	86	123	CK/001	2640
YCD240EWHAA	Economizer	575/3/60	240,000	324,000	10.2	54	86	123	CK/001	2730
YCD240EWHBA	Ov Motor	575/3/60	240,000	324,000	10.2	54	86	123	CK/001	2680
YCD240EWHCA	Econ/OvMtr	575/3/60	240,000	324,000	10.2	54	86	123	CK/001	2770
YCD240EWHFA	TCI	575/3/60	240,000	324,000	10.2	54	86	123	CK/001	2641
YCD240EWHGA	Econ/TCI	575/3/60	240,000	324,000	10.2	54	86	123	CK/001	2731

Features:

- ReliaTel™ controls
- Built in anti-short cycle, time-delay relay and minimum on time controls
- ICS compatibility with either factory or field installed Trane Communications Interface (TCI)
- Quick-adjust idler arm assembly for belt and motor sheave adjustment
- 2" throwaway filters
- Short orifice refrigerant control
- Liquid line drier
- Operating charge of R-410A
- Fork lift channels
- Trane-Tite-Top (T³) weather tight top and cabinet
- Trane 3-D® scroll compressors
- Dedicated downflow design
- Single side access
- Drum and tube gas heat exchanger
- Hot surface ignition system
- Aluminized steel drum material
- Sloped sheet metal drain pan
- Forced combustion
- Gas burner view port
- Negative pressure gas valve
- Quick-access panels with handles
- Internally enhanced coil tubing
- Low ambient cooling to 0° F standard
- Colored and numbered wiring
- UL listed and CSA certified
- **1 year compressor and heat exchanger warranty**



It's Hard To Stop A Trane.®

Zone Sensors: (Micro Thermostats to be used with Micro Units)

Model Number	Description	Used with	Mfg. Plant	Shipping Weight
BAYSENS006B	Single Setpoint Manual Changeover	YC*150-300	CK/001	1
BAYSENS008B	Dual Setpoint Manual or Auto Changeover	YC*150-300	CK/001	1
BAYSENS010B	Dual Setpoint Man. or Auto Changeover with System Function Lights	YC*150-300	CK/001	1
BAYSENS019C	Programmable Night Setback w/System Function Lights	YC*150-300	CK/001	1
BAYSENS013C ^①	Room Sensor w/ Override Button	YC*150-300	CK/001	1
BAYSENS014C ^①	Room Sensor w/ Temp. Adjustment And Override	YC*150-300	CK/001	1
BAYSENS017B	Remote Room Sensor	BAYSENS006B, 008B, 010B & 019C	CK/001	1
BAYSENS032A ^③	Dual Thermistor Remote Zone Sensor	YC*150-300	CK/001	1
BAYSENS035A ^③	Digital Display Zone Sensor	YC*150-300	CK/001	1
BAYMTPL003B	Retrofit Wall Cover Plate Kit 7.25" x 6.0"	BAYSENS019C	CK/001	1
BAYMTPL004B	Retrofit Wall Cover Plate Kit 4.75" x 4.75"	BAYSENS006,008,010 017B,013,& 014C	CK/001	1
BAYSTAT050A	2Htg/2Clg Digital Display Programmable Thermostat	YC*150-300	CK/001	1
BAYSTAT052A	2Htg/2Clg Digital Display Programmable "TOUCHSCREEN" Thermostat	YC*150-300	CK/001	1
BAYSTAT053A	3Htg/2Clg Digital Display Programmable Thermostat with Relative Humidity Sensing Built-In	YC*150-300 (with Dehumidification Option)	CK/001	1
BAYSTAT055A	3Htg/2Clg Digital Display Thermostat	YC*150-300	CK/001	1
BAYSTAT059A	Return Air Remote Sensor	BAYSTAT050A,052A,053A	CK/001	1
BAYSTAT060A	Wall Mounted Remote Sensor	BAYSTAT050A,052A,053A	CK/001	1

① Used with Integrated Comfort™ Systems, any unit type. These sensors do not work with TCM. Consult BASD Marketing for them.

② See Accessory IOM for operational characteristics.

③ Functional only with ReliaTel™ controls.

* Either horizontal or downflow models.

Controls:

Model Number	Description	Used with	Mfg. Plant	Shipping Weight
BAYCO2K002B	CO ₂ Sensor Kit Wall Mounted	YC*150-300 w/Economizer	CK/001	3
BAYCO2K004B	CO ₂ Sensor Kit Duct Mounted	YC*150-300 w/Economizer	CK/001	3.5
BAYICSI004B	Field Installed TCI (Trane Communication Interface)	YC*150-300	CK/001	1
BAYLTCI003B	LonTalk Interface	YC*150-300	CK/001	1



12-1/2 Ton YCH151C

Horizontal Packaged Gas/Electric

High Efficiency

Specifications: Horizontal

Model Number	Factory Installed Option	Power Supply	Gross Capacity Cooling (BTUH)	Capacity Heating Output (BTUH)	EER	Uncrated Dimensions (in.)			Mfg. Plant	Shipping Weight
						H	W	L		
YCH151C3LOB	—	208-230/3/60	154,000	122,000	11.30	50	72	108	CK/001	1915
YCH151C3LBB	Ov Motor	208-230/3/60	154,000	122,000	11.30	50	72	108	CK/001	1990
YCH151C3LFB	TCI	208-230/3/60	154,000	122,000	11.30	50	72	108	CK/001	1916
YCH151C3HOB	—	208-230/3/60	154,000	203,000	11.30	50	72	108	CK/001	1915
YCH151C3HBB	Ov Motor	208-230/3/60	154,000	203,000	11.30	50	72	108	CK/001	1990
YCH151C3HFB	TCI	208-230/3/60	154,000	203,000	11.30	50	72	108	CK/001	1916
YCH151C4LOB	—	460/3/60	154,000	122,000	11.30	50	72	108	CK/001	1915
YCH151C4LBB	Ov Motor	460/3/60	154,000	122,000	11.30	50	72	108	CK/001	1990
YCH151C4LFB	TCI	460/3/60	154,000	122,000	11.30	50	72	108	CK/001	1916
YCH151C4HOB	—	460/3/60	154,000	203,000	11.30	50	72	108	CK/001	1915
YCH151C4HBB	Ov Motor	460/3/60	154,000	203,000	11.30	50	72	108	CK/001	1990
YCH151C4HFB	TCI	460/3/60	154,000	203,000	11.30	50	72	108	CK/001	1916
YCH151CWL0B	—	575/3/60	154,000	122,000	11.30	50	72	108	CK/001	1915
YCH151CWLBB	Ov Motor	575/3/60	154,000	122,000	11.30	50	72	108	CK/001	1990
YCH151CWLFB	TCI	575/3/60	154,000	122,000	11.30	50	72	108	CK/001	1916
YCH151CWH0B	—	575/3/60	154,000	203,000	11.30	50	72	108	CK/001	1915
YCH151CWHBB	Ov Motor	575/3/60	154,000	203,000	11.30	50	72	108	CK/001	1990
YCH151CWHFB	TCI	575/3/60	154,000	203,000	11.30	50	72	108	CK/001	1916

Features:

- ReliaTel™ controls
- Built in anti-short cycle, time-delay relay and minimum on time controls
- ICS compatibility with either factory or field installed Trane Communications Interface (TCI)
- Quick-adjust idler arm assembly for belt and motor sheave adjustment
- 2" throwaway filters
- Liquid line drier
- Operating charge of R-22
- Fork lift channels
- Trane-Tite-Top (T³) weather tight top and cabinet
- Short orifice refrigerant control
- High efficiency scroll compressors
- Low pressure switches
- Dedicated horizontal and downflow designs
- Single side access
- Drum and tube gas heat exchanger
- Hot surface ignition system
- Aluminized steel drum material
- Forced combustion
- Gas burner view port
- Sloped sheet metal drain pan
- Negative pressure gas valve
- Quick-access panels with handles
- Internally enhanced coil tubing
- Low ambient cooling to 0° F standard
- Colored and numbered wiring
- UL listed and CSA certified
- **5 year compressor and heat exchanger warranty**



12-1/2 Ton
YCD151C
YFD151C

Downflow
Packaged
Gas/Electric

High Efficiency

Specifications: Downflow

Model Number	Factory Installed Option	Power Supply	Gross Capacity Cooling (BTUH)	Capacity Heating Output (BTUH)	EER	Uncrated Dimensions (in.)			Mfg. Plant	Shipping Weight
						H	W	L		
YCD151C3L0B	—	208-230/3/60	154,000	122,000	11.30	50	72	108	CK/001	1915
YCD151C3LAB	Economizer	208-230/3/60	154,000	122,000	11.30	50	72	108	CK/001	2030
YCD151C3LBB	Ov Motor	208-230/3/60	154,000	122,000	11.30	50	72	108	CK/001	1990
YCD151C3LCB	Econ/OvMtr	208-230/3/60	154,000	122,000	11.30	50	72	108	CK/001	2105
YCD151C3LFB	TCI	208-230/3/60	154,000	122,000	11.30	50	72	108	CK/001	1916
YCD151C3LGB	Econ/TCI	208-230/3/60	154,000	122,000	11.30	50	72	108	CK/001	2031
YCD151C3LHB	TXV	208-230/3/60	154,000	122,000	11.30	50	72	108	CK/001	1915
YCD151C3LJB	TXV/OvMtr	208-230/3/60	154,000	122,000	11.30	50	72	108	CK/001	1990
YCD151C3LKB	TXV/OvMtr/Econ	208-230/3/60	154,000	122,000	11.30	50	72	108	CK/001	2105
YCD151C3LLB	TXV/Econ	208-230/3/60	154,000	122,000	11.30	50	72	108	CK/001	2030
YFD151C3LMB	Reheat Coil	208-230/3/60	154,000	122,000	11.30	50	72	108	CK/001	2070
YFD151C3LNB	Econ/Reheat Coil	208-230/3/60	154,000	122,000	11.30	50	72	108	CK/001	2185
YFD151C3LPB	Ov Mtr/Reheat Coil	208-230/3/60	154,000	122,000	11.30	50	72	108	CK/001	2145
YFD151C3LRB	Econ/Ov Mtr/Reheat Coil	208-230/3/60	154,000	122,000	11.30	50	72	108	CK/001	2260
YCD151C3H0B	—	208-230/3/60	154,000	203,000	11.30	50	72	108	CK/001	1915
YCD151C3HAB	Economizer	208-230/3/60	154,000	203,000	11.30	50	72	108	CK/001	2030
YCD151C3HBB	Ov Motor	208-230/3/60	154,000	203,000	11.30	50	72	108	CK/001	1990
YCD151C3HCB	Econ/OvMtr	208-230/3/60	154,000	203,000	11.30	50	72	108	CK/001	2105
YCD151C3HFB	TCI	208-230/3/60	154,000	203,000	11.30	50	72	108	CK/001	1916
YCD151C3HGB	Econ/TCI	208-230/3/60	154,000	203,000	11.30	50	72	108	CK/001	2031
YCD151C3HHB	TXV	208-230/3/60	154,000	203,000	11.30	50	72	108	CK/001	1915
YCD151C3HJB	TXV/OvMtr	208-230/3/60	154,000	203,000	11.30	50	72	108	CK/001	1990
YCD151C3HKB	TXV/OvMtr/Econ	208-230/3/60	154,000	203,000	11.30	50	72	108	CK/001	2105
YCD151C3HLB	TXV/Econ	208-230/3/60	154,000	203,000	11.30	50	72	108	CK/001	2030
YFD151C3HMB	Reheat Coil	208-230/3/60	154,000	203,000	11.30	50	72	108	CK/001	2070
YFD151C3HNB	Econ/Reheat Coil	208-230/3/60	154,000	203,000	11.30	50	72	108	CK/001	2185
YFD151C3HPB	Ov Mtr/Reheat Coil	208-230/3/60	154,000	203,000	11.30	50	72	108	CK/001	2145
YFD151C3HRB	Econ/Ov Mtr/Reheat Coil	208-230/3/60	154,000	203,000	11.30	50	72	108	CK/001	2260
YCD151C4L0B	—	460/3/60	154,000	122,000	11.30	55	72	108	CK/001	1915
YCD151C4LAB	Economizer	460/3/60	154,000	122,000	11.30	55	72	108	CK/001	2030
YCD151C4LBB	Ov Motor	460/3/60	154,000	122,000	11.30	55	72	108	CK/001	1990
YCD151C4LCB	Econ/OvMtr	460/3/60	154,000	122,000	11.30	55	72	108	CK/001	2105
YCD151C4LFB	TCI	460/3/60	154,000	122,000	11.30	55	72	108	CK/001	1916
YCD151C4LGB	Econ/TCI	460/3/60	154,000	122,000	11.30	55	72	108	CK/001	2031
YCD151C4LHB	TXV	460/3/60	154,000	122,000	11.30	55	72	108	CK/001	1915
YCD151C4LJB	TXV/OvMtr	460/3/60	154,000	122,000	11.30	55	72	108	CK/001	1990
YCD151C4LKB	TXV/OvMtr/Econ	460/3/60	154,000	122,000	11.30	55	72	108	CK/001	2105
YCD151C4LLB	TXV/Econ	460/3/60	154,000	122,000	11.30	55	72	108	CK/001	2030
YFD151C4LMB	Reheat Coil	460/3/60	154,000	122,000	11.30	55	72	108	CK/001	2070
YFD151C4LNB	Econ/Reheat Coil	460/3/60	154,000	122,000	11.30	55	72	108	CK/001	2185
YFD151C4LPB	Ov Mtr/Reheat Coil	460/3/60	154,000	122,000	11.30	55	72	108	CK/001	2145
YFD151C4LRB	Econ/Ov Mtr/Reheat Coil	460/3/60	154,000	122,000	11.30	55	72	108	CK/001	2260



12-1/2 Ton
YCD151C
YFD151C

Downflow
Packaged
Gas/Electric

High Efficiency

Specifications: Downflow

Model Number	Factory Installed Option	Power Supply	Gross Capacity Cooling (BTUH)	Capacity Heating Output (BTUH)	EER	Uncrated Dimensions (in.)			Mfg. Plant	Shipping Weight
						H	W	L		
YCD151C4H0B	—	460/3/60	154,000	203,000	11.30	55	72	108	CK/001	1915
YCD151C4HAB	Economizer	460/3/60	154,000	203,000	11.30	55	72	108	CK/001	2030
YCD151C4HBB	Ov Motor	460/3/60	154,000	203,000	11.30	55	72	108	CK/001	1990
YCD151C4HCB	Econ/OvMtr	460/3/60	154,000	203,000	11.30	55	72	108	CK/001	2105
YCD151C4HFB	TCI	460/3/60	154,000	203,000	11.30	55	72	108	CK/001	1916
YCD151C4HGB	Econ/TCI	460/3/60	154,000	203,000	11.30	55	72	108	CK/001	2031
YCD151C4HHB	TXV	460/3/60	154,000	203,000	11.30	55	72	108	CK/001	1915
YCD151C4HJB	TXV/OvMtr	460/3/60	154,000	203,000	11.30	55	72	108	CK/001	1990
YCD151C4HKB	TXV/OvMtr/Econ	460/3/60	154,000	203,000	11.30	55	72	108	CK/001	2105
YCD151C4HLB	TXV/Econ	460/3/60	154,000	203,000	11.30	55	72	108	CK/001	2030
YFD151C4HMB	Reheat Coil	460/3/60	154,000	122,000	11.30	55	72	108	CK/001	2070
YFD151C4HNB	Econ/Reheat Coil	460/3/60	154,000	122,000	11.30	55	72	108	CK/001	2185
YFD151C4HPB	Ov Mtr/Reheat Coil	460/3/60	154,000	122,000	11.30	55	72	108	CK/001	2145
YFD151C4HRB	Econ/Ov Mtr/Reheat Coil	460/3/60	154,000	122,000	11.30	55	72	108	CK/001	2260
YCD151CWL0B	—	575/3/60	154,000	122,000	11.30	50	72	108	CK/001	1915
YCD151CWL0B	Economizer	575/3/60	154,000	122,000	11.30	50	72	108	CK/001	2030
YCD151CWL0B	Ov Motor	575/3/60	154,000	122,000	11.30	50	72	108	CK/001	1990
YCD151CWL0B	Econ/OvMtr	575/3/60	154,000	122,000	11.30	50	72	108	CK/001	2105
YCD151CWL0B	TCI	575/3/60	154,000	122,000	11.30	50	72	108	CK/001	1916
YCD151CWL0B	Econ/TCI	575/3/60	154,000	122,000	11.30	50	72	108	CK/001	2031
YCD151CWL0B	TXV	575/3/60	154,000	122,000	11.30	50	72	108	CK/001	1915
YCD151CWL0B	TXV/OvMtr	575/3/60	154,000	122,000	11.30	50	72	108	CK/001	1990
YCD151CWL0B	TXV/OvMtr/Econ	575/3/60	154,000	122,000	11.30	50	72	108	CK/001	2105
YCD151CWL0B	TXV/Econ	575/3/60	154,000	122,000	11.30	50	72	108	CK/001	2030
YFD151CWL0B	Reheat Coil	575/3/60	154,000	122,000	11.30	50	72	108	CK/001	2070
YFD151CWL0B	Econ/Reheat Coil	575/3/60	154,000	122,000	11.30	50	72	108	CK/001	2185
YFD151CWL0B	Ov Mtr/Reheat Coil	575/3/60	154,000	122,000	11.30	50	72	108	CK/001	2145
YFD151CWL0B	Econ/Ov Mtr/Reheat Coil	575/3/60	154,000	122,000	11.30	50	72	108	CK/001	2260



12-1/2 Ton
YCD151C
YFD151C

**Downflow
Packaged
Gas/Electric**

High Efficiency

Specifications: Downflow

Model Number	Factory Installed Option	Power Supply	Gross Capacity Cooling (BTUH)	Capacity Heating Output (BTUH)	EER	Uncrated Dimensions (in.)			Mfg. Plant	Shipping Weight
						H	W	L		
YCD151CWH0B	—	575/3/60	154,000	203,000	11.30	50	72	108	CK/001	1915
YCD151CWHAB	Economizer	575/3/60	154,000	203,000	11.30	50	72	108	CK/001	2030
YCD151CWHBB	Ov Motor	575/3/60	154,000	203,000	11.30	50	72	108	CK/001	1990
YCD151CWHCB	Econ/OvMtr	575/3/60	154,000	203,000	11.30	50	72	108	CK/001	2105
YCD151CWHFB	TCI	575/3/60	154,000	203,000	11.30	50	72	108	CK/001	1916
YCD151CWHGB	Econ/TCI	575/3/60	154,000	203,000	11.30	50	72	108	CK/001	2031
YCD151CWHHB	TXV	575/3/60	154,000	203,000	11.30	50	72	108	CK/001	1915
YCD151CWHJB	TXV/OvMtr	575/3/60	154,000	203,000	11.30	50	72	108	CK/001	1990
YCD151CWHKB	TXV/OvMtr/Econ	575/3/60	154,000	203,000	11.30	50	72	108	CK/001	2105
YCD151CWHLB	TXV/Econ	575/3/60	154,000	203,000	11.30	50	72	108	CK/001	2030
YFD151CWHMB	Reheat Coil	575/3/60	154,000	203,000	11.30	50	72	108	CK/001	2070
YFD151CWHNB	Econ/Reheat Coil	575/3/60	154,000	203,000	11.30	50	72	108	CK/001	2185
YFD151CWHPB	Ov Mtr/Reheat Coil	575/3/60	154,000	203,000	11.30	50	72	108	CK/001	2145
YFD151CWHRB	Econ/Ov Mtr/Reheat Coil	575/3/60	154,000	203,000	11.30	50	72	108	CK/001	2260

Features

- ReliaTel™ controls
- Built in anti-short cycle, time-delay relay and minimum on time controls
- ICS compatibility with either factory or field installed Trane Communications Interface (TCI)
- Quick-adjust idler arm assembly for belt and motor sheave adjustment
- 2" throwaway filters
- Short orifice refrigerant control
- Liquid line drier
- Operating charge of R-22
- Trane-Tite-Top (T³) weather tight top and cabinet
- High efficiency scroll compressors
- Low pressure switches
- Dedicated horizontal and downflow designs
- Single side access
- Drum and tube heat exchanger
- Hot surface ignition system
- Aluminized steel drum material
- Forced combustion
- Gas burner view port
- Negative pressure gas valve
- Sloped sheet metal drain pan
- Internally enhanced coil tubing
- Low ambient cooling to 0° F standard
- Colored and numbered wiring
- UL listed and CSA certified
- **5 year compressor warranty**



YCD Units Only



12-1/2 Ton
YCH151C
YCD151C

**Horizontal and
Downflow
Packaged
Gas/Electric**

High Efficiency

Accessories:

Model Number	Description	Used With	Mfg. Plant	Shipping Weight
Extended Warranties – (1 yr - 5 yr – See Extended Warranty Section)				
BAYABRD002B	ReliaTel™ Options Module	See Note ⑧	CK/001	2
BAYCURB026B①⑦	Downflow Roof Curb	YCD151C	CK/001	205
BAYDMPR029C	0-25% Manual Outside Air Damper	YCD151C YCH151C	CK/001	32
BAYDMPR057A	Motorized Outside Air Damper	YCD151C YCH151C	CK/001	60
BAYECON089A	Downflow Economizer with Barometric Relief	YCD151C	CK/001	115
BAYECON091A	Horizontal Economizer	YCH151C	CK/001	150
BAYGARD044B	Tool-less Condenser Coil Hail Guard	YC*151C	CK/001	50
BAYSTAT023	Remote Potentiometer	BAYECON089A,091A BAYDMPR057A	CK/001	1
BAYPWRX029A	Power Exhaust for use with Downflow Economizer 230V	YCD151C3	CK/001	95
BAYPWRX030A	Power Exhaust for use with Downflow Economizer 460V	YCD151C4	CK/001	95
BAYPWRX031A	Power Exhaust for use with Downflow Economizer/ 575V	YCD151CW	CK/001	95
BAYHSMT039B④	5 HP Oversize Motor Kit	YCD151C3,C4 YCH151C3,C4	CK/001	75
BAYHSMT040B④	5 HP Oversize Motor Kit	YCD151CW YCH151CW	CK/001	75
BAYHSDR002B④	High Static Drive	YCD151C YCH151C	CK/001	15
BAYLPKT018A	LP Conversion Kit	YCD151C YCH151C	CK/001	1
BAYSERV001A	Selective Resistance Service Tester	YCD151C YCH151C	CK/001	2
BAYSENS016A⑥	Temperature Sensor	YCD151C YCH151C	CK/001	1
BAYFRST003A③	High Temperature Stat	YCD151C YCH151C	CK/001	1
BAYENTH007A②	Reference Enthalpy Kit	BAYECON089A BAYECON091A	CK/001	1
BAYENTH008A②	Comparative Enthalpy Kit	BAYECON089A BAYECON091A	CK/001	1
BAYDFPS005A⑨	Clogged Filter Switch	YCD151C YCH151C	CK/001	1
BAYDFPS006A⑨	Fan Failure Switch	YCD151C YCH151C	CK/001	1
BAYLOAM023A	Evaporator Defrost Control (Frostat)	YC*151C w/ReliaTel Options Module	CK/001	3
BAYTUBE008A⑤	Discharge Air Sensing Kit	YCD151C	CK/001	1
BAYTUBE009A⑤	Discharge Air Sensing Kit	YCH151C	CK/001	1
BAYVNOR002B	Ventilation Override Kit	YC*151C w/ReliaTel Options Module	CK/001	2

- ① For downflow use only. Cannot be adapted for horizontal units.
- ② Kits contain all necessary parts to achieve desired level of enthalpy control.
- ③ Must be used with either field or factory installed TCI (Trane Communication Interface).
- ④ High static drive and oversized motors are mutually exclusive. Do not combine.
- ⑤ Used for true discharge air sensing in both heating and cooling models. Functional only with ReliaTel Options Module (BAYABRD002B/FIYABRD002B).
- ⑥ Cannot be used with manual outside air damper.
- ⑦ Clarksville Manufacturing has a no-return policy for this roof curb.
- ⑧ BAYABRD002B is required when ordering field installed accessories Clogged Filter Switch (BAYDFPS005A), Fan Fail Switch (BAYDFPS006A), Discharge Air Sensing Kit (BAYTUBE008A or BAYTUBE009A), Frostat (BAYLOAM023A), Ventilation Override (BAYVNOR002B).
- ⑨ Functional only with ReliaTel Options Module (BAYABRD002B/FIYABRD002B).



15 Ton YCH181C

Horizontal Packaged Gas/Electric

High Efficiency

Specifications: Horizontal

Model Number	Factory Installed Option	Power Supply	Gross Capacity Cooling (BTUH)	Capacity Heating Output (BTUH)	EER	Uncrated Dimensions (in.)			Mfg. Plant	Shipping Weight
						H	W	L		
YCH181C3L0C	—	208-230/3/60	189,000	203,000	11.50	54	86	123	CK/001	2476
YCH181C3LBC	Ov Motor	208-230/3/60	189,000	203,000	11.50	54	86	123	CK/001	2566
YCH181C3LFC	TCI	208-230/3/60	189,000	203,000	11.50	54	86	123	CK/001	2477
YCH181C3H0C	—	208-230/3/60	189,000	284,000	11.50	54	86	123	CK/001	2476
YCH181C3HBC	Ov Motor	208-230/3/60	189,000	284,000	11.50	54	86	123	CK/001	2566
YCH181C3HFC	TCI	208-230/3/60	189,000	284,000	11.50	54	86	123	CK/001	2477
YCH181C4L0C	—	460/3/60	189,000	203,000	11.50	54	86	123	CK/001	2476
YCH181C4LBC	Ov Motor	460/3/60	189,000	203,000	11.50	54	86	123	CK/001	2566
YCH181C4LFC	TCI	460/3/60	189,000	203,000	11.50	54	86	123	CK/001	2477
YCH181C4H0C	—	460/3/60	189,000	284,000	11.50	54	86	123	CK/001	2476
YCH181C4HBC	Ov Motor	460/3/60	189,000	284,000	11.50	54	86	123	CK/001	2566
YCH181C4HFC	TCI	460/3/60	189,000	284,000	11.50	54	86	123	CK/001	2477
YCH181CWL0C	—	575/3/60	189,000	203,000	11.50	54	86	123	CK/001	2476
YCH181CWLBC	Ov Motor	575/3/60	189,000	203,000	11.50	54	86	123	CK/001	2566
YCH181CWLFC	TCI	575/3/60	189,000	203,000	11.50	54	86	123	CK/001	2477
YCH181CWH0C	—	575/3/60	189,000	284,000	11.50	54	86	123	CK/001	2476
YCH181CWHBC	Ov Motor	575/3/60	189,000	284,000	11.50	54	86	123	CK/001	2566
YCH181CWHFC	TCI	575/3/60	189,000	284,000	11.50	54	86	123	CK/001	2477

Features:

- ReliaTel™ controls
- Built in anti-short cycle, time-delay relay and minimum on time controls
- ICS compatibility with either factory or field installed Trane Communications Interface (TCI)
- Quick-adjust idler arm assembly for belt and motor sheave adjustment
- 2" throwaway filters
- Short orifice refrigerant control
- Liquid line drier
- Operating charge of R-22
- Fork lift channels
- Trane-Tite-Top (T³) weather tight top and cabinet
- Trane 3-D® scroll compressors
- Low pressure switches
- Dedicated horizontal and downflow designs
- Single side access
- Drum and tube heat exchanger
- Hot surface ignition system
- Aluminized steel drum material
- Forced combustion
- Sloped sheet metal drain pan
- Gas burner view port
- Negative pressure gas valve
- Quick-access panels with handles
- Internally enhanced coil tubing
- Low ambient cooling to 0° F standard
- Colored and numbered wiring
- UL listed and CSA certified
- **5 year compressor and heat exchanger warranty**



15 Ton
YCD181C
YFD181C

Downflow
Packaged
Gas/Electric

High Efficiency

Specifications: Downflow

Model Number	Factory Installed Option	Power Supply	Gross Capacity Cooling (BTUH)	Capacity Heating Output (BTUH)	EER	Uncrated Dimensions (in.)			Mfg. Plant	Shipping Weight
						H	W	L		
YCD181C3L0C	—	208-230/3/60	189,000	203,000	11.50	54	86	123	CK/001	2460
YCD181C3LAC	Economizer	208-230/3/60	189,000	203,000	11.50	54	86	123	CK/001	2595
YCD181C3LBC	Ov Motor	208-230/3/60	189,000	203,000	11.50	54	86	123	CK/001	2550
YCD181C3LCC	Econ/OvMtr	208-230/3/60	189,000	203,000	11.50	54	86	123	CK/001	2685
YCD181C3LFC	TCI	208-230/3/60	189,000	203,000	11.50	54	86	123	CK/001	2461
YCD181C3LGC	Econ/TCI	208-230/3/60	189,000	203,000	11.50	54	86	123	CK/001	2596
YCD181C3LHC	TXV	208-230/3/60	189,000	203,000	11.50	54	86	123	CK/001	2460
YCD181C3LJC	TXV/OvMtr	208-230/3/60	189,000	203,000	11.50	54	86	123	CK/001	2550
YCD181C3LKC	TXV/OvMtr/Econ	208-230/3/60	189,000	203,000	11.50	54	86	123	CK/001	2685
YCD181C3LLC	TXV/Econ	208-230/3/60	189,000	203,000	11.50	54	86	123	CK/001	2595
YFD181C3LMC	Reheat Coil	208-230/3/60	189,000	203,000	11.50	54	86	123	CK/001	2615
YFD181C3LNC	Econ/Reheat Coil	208-230/3/60	189,000	203,000	11.50	54	86	123	CK/001	2750
YFD181C3LPC	Ov Mtr/Reheat Coil	208-230/3/60	189,000	203,000	11.50	54	86	123	CK/001	2705
YFD181C3LRC	Econ/Ov Mtr/Reheat Coil	208-230/3/60	189,000	203,000	11.50	54	86	123	CK/001	2840
YCD181C3H0C	—	208-230/3/60	189,000	284,000	11.50	54	86	123	CK/001	2460
YCD181C3HAC	Economizer	208-230/3/60	189,000	284,000	11.50	54	86	123	CK/001	2595
YCD181C3HBC	Ov Motor	208-230/3/60	189,000	284,000	11.50	54	86	123	CK/001	2550
YCD181C3HCC	Econ/OvMtr	208-230/3/60	189,000	284,000	11.50	54	86	123	CK/001	2685
YCD181C3HFC	TCI	208-230/3/60	189,000	284,000	11.50	54	86	123	CK/001	2461
YCD181C3HGC	Econ/TCI	208-230/3/60	189,000	284,000	11.50	54	86	123	CK/001	2596
YCD181C3HHC	TXV	208-230/3/60	189,000	284,000	11.50	54	86	123	CK/001	2460
YCD181C3HJC	TXV/OvMtr	208-230/3/60	189,000	284,000	11.50	54	86	123	CK/001	2550
YCD181C3HKC	TXV/OvMtr/Econ	208-230/3/60	189,000	284,000	11.50	54	86	123	CK/001	2685
YCD181C3HLC	TXV/Econ	208-230/3/60	189,000	284,000	11.50	54	86	123	CK/001	2595
YFD181C3HMC	Reheat Coil	208-230/3/60	189,000	284,000	11.50	54	86	123	CK/001	2615
YFD181C3HNC	Econ/Reheat Coil	208-230/3/60	189,000	284,000	11.50	54	86	123	CK/001	2750
YFD181C3HPC	Ov Mtr/Reheat Coil	208-230/3/60	189,000	284,000	11.50	54	86	123	CK/001	2705
YFD181C3HRC	Econ/Ov Mtr/Reheat Coil	208-230/3/60	189,000	284,000	11.50	54	86	123	CK/001	2805
YCD181C4L0C	—	460/3/60	189,000	203,000	11.50	54	86	123	CK/001	2460
YCD181C4LAC	Economizer	460/3/60	189,000	203,000	11.50	54	86	123	CK/001	2595
YCD181C4LBC	Ov Motor	460/3/60	189,000	203,000	11.50	54	86	123	CK/001	2550
YCD181C4LCC	Econ/OvMtr	460/3/60	189,000	203,000	11.50	54	86	123	CK/001	2685
YCD181C4LFC	TCI	460/3/60	189,000	203,000	11.50	54	86	123	CK/001	2461
YCD181C4LGC	Econ/TCI	460/3/60	189,000	203,000	11.50	54	86	123	CK/001	2596
YCD181C4LHC	TXV	460/3/60	189,000	203,000	11.50	54	86	123	CK/001	2460
YCD181C4LJC	TXV/OvMtr	460/3/60	189,000	203,000	11.50	54	86	123	CK/001	2550
YCD181C4LKC	TXV/OvMtr/Econ	460/3/60	189,000	203,000	11.50	54	86	123	CK/001	2685
YCD181C4LLC	TXV/Econ	460/3/60	189,000	203,000	11.50	54	86	123	CK/001	2595
YFD181C4LMC	Reheat Coil	460/3/60	189,000	203,000	11.50	54	86	123	CK/001	2615
YFD181C4LNC	Econ/Reheat Coil	460/3/60	189,000	203,000	11.50	54	86	123	CK/001	2750
YFD181C4LPC	Ov Mtr/Reheat Coil	460/3/60	189,000	203,000	11.50	54	86	123	CK/001	2705
YFD181C4LRC	Econ/Ov Mtr/Reheat Coil	460/3/60	189,000	203,000	11.50	54	86	123	CK/001	2840



15 Ton
YCD181C
YFD181C

Downflow
Packaged
Gas/Electric

High Efficiency

Specifications: Downflow Continued

Model Number	Factory Installed Option	Power Supply	Gross Capacity Cooling (BTUH)	Capacity Heating Output (BTUH)	EER	Uncrated Dimensions (in.)			Mfg. Plant	Shipping Weight
						H	W	L		
YCD181C4H0C	—	460/3/60	189,000	284,000	11.50	54	86	123	CK/001	2460
YCD181C4HAC	Economizer	460/3/60	189,000	284,000	11.50	54	86	123	CK/001	2595
YCD181C4HBC	Ov Motor	460/3/60	189,000	284,000	11.50	54	86	123	CK/001	2550
YCD181C4HCC	Econ/OvMtr	460/3/60	189,000	284,000	11.50	54	86	123	CK/001	2685
YCD181C4HFC	TCI	460/3/60	189,000	284,000	11.50	54	86	123	CK/001	2461
YCD181C4HGC	Econ/TCI	460/3/60	189,000	284,000	11.50	54	86	123	CK/001	2596
YCD181C4HHC	TXV	460/3/60	189,000	284,000	11.50	54	86	123	CK/001	2460
YCD181C4HJC	TXV/OvMtr	460/3/60	189,000	284,000	11.50	54	86	123	CK/001	2550
YCD181C4HKC	TXV/OvMtr/Econ	460/3/60	189,000	284,000	11.50	54	86	123	CK/001	2685
YCD181C4HLC	TXV/Econ	460/3/60	189,000	284,000	11.50	54	86	123	CK/001	2595
YFD181C4HMC	Reheat Coil	460/3/60	189,000	284,000	11.50	54	86	123	CK/001	2615
YFD181C4HNC	Econ/Reheat Coil	460/3/60	189,000	284,000	11.50	54	86	123	CK/001	2750
YFD181C4HPC	Ov Mtr/Reheat Coil	460/3/60	189,000	284,000	11.50	54	86	123	CK/001	2705
YFD181C4HRC	Econ/Ov Mtr/Reheat Coil	460/3/60	189,000	284,000	11.50	54	86	123	CK/001	2840
YCD181CWL0C	—	575/3/60	189,000	203,000	11.50	54	86	123	CK/001	2460
YCD181CWLAC	Economizer	575/3/60	189,000	203,000	11.50	54	86	123	CK/001	2595
YCD181CWLBC	Ov Motor	575/3/60	189,000	203,000	11.50	54	86	123	CK/001	2550
YCD181CWLCC	Econ/OvMtr	575/3/60	189,000	203,000	11.50	54	86	123	CK/001	2685
YCD181CWLFC	TCI	575/3/60	189,000	203,000	11.50	54	86	123	CK/001	2461
YCD181CWLGC	Econ/TCI	575/3/60	189,000	203,000	11.50	54	86	123	CK/001	2596
YCD181CWLHC	TXV	575/3/60	189,000	203,000	11.50	54	86	123	CK/001	2460
YCD181CWLJC	TXV/OvMtr	575/3/60	189,000	203,000	11.50	54	86	123	CK/001	2550
YCD181CWLKC	TXV/OvMtr/Econ	575/3/60	189,000	203,000	11.50	54	86	123	CK/001	2685
YCD181CWLLC	TXV/Econ	575/3/60	189,000	203,000	11.50	54	86	123	CK/001	2595
YFD181CWLMC	Reheat Coil	575/3/60	189,000	203,000	11.50	54	86	123	CK/001	2615
YFD181CWLNC	Econ/Reheat Coil	575/3/60	189,000	203,000	11.50	54	86	123	CK/001	2750
YFD181CWLPC	Ov Mtr/Reheat Coil	575/3/60	189,000	203,000	11.50	54	86	123	CK/001	2705
YFD181CWLRC	Econ/Ov Mtr/Reheat Coil	575/3/60	189,000	203,000	11.50	54	86	123	CK/001	2840



15 Ton
YCD181C
YFD181C

Downflow
Packaged
Gas/Electric

High Efficiency

Specifications: Downflow Continued

Model Number	Factory Installed Option	Power Supply	Gross Capacity Cooling (BTUH)	Capacity Heating Output (BTUH)	EER	Uncrated Dimensions (in.)			Mfg. Plant	Shipping Weight
						H	W	L		
YCD181CWH0C	—	575/3/60	189,000	284,000	11.50	54	86	123	CK/001	2460
YCD181CWHAC	Economizer	575/3/60	189,000	284,000	11.50	54	86	123	CK/001	2595
YCD181CWHBC	Ov Motor	575/3/60	189,000	284,000	11.50	54	86	123	CK/001	2550
YCD181CWHCC	Econ/OvMtr	575/3/60	189,000	284,000	11.50	54	86	123	CK/001	2685
YCD181CWHFC	TCI	575/3/60	189,000	284,000	11.50	54	86	123	CK/001	2461
YCD181CWHGC	Econ/TCI	575/3/60	189,000	284,000	11.50	54	86	123	CK/001	2596
YCD181CWHHC	TXV	575/3/60	189,000	284,000	11.50	54	86	123	CK/001	2460
YCD181CWHJC	TXV/OvMtr	575/3/60	189,000	284,000	11.50	54	86	123	CK/001	2550
YCD181CWHKC	TXV/OvMtr/Econ	575/3/60	189,000	284,000	11.50	54	86	123	CK/001	2685
YCD181CWHLC	TXV/Econ	575/3/60	189,000	284,000	11.50	54	86	123	CK/001	2595
YFD181CWHMC	Reheat Coil	575/3/60	189,000	203,000	11.50	54	86	123	CK/001	2615
YFD181CWHNC	Econ/Reheat Coil	575/3/60	189,000	203,000	11.50	54	86	123	CK/001	2750
YFD181CWHPC	Ov Mtr/Reheat Coil	575/3/60	189,000	203,000	11.50	54	86	123	CK/001	2705
YFD181CWHRC	Econ/Ov Mtr/Reheat Coil	575/3/60	189,000	203,000	11.50	54	86	123	CK/001	2840

Features:

- ReliaTel™ controls
- Built in anti-short cycle, time-delay relay and minimum on time controls
- ICS compatibility with either factory or field installed Trane Communications Interface (TCI)
- Quick-adjust idler arm assembly for belt and motor sheave adjustment
- 2" throwaway filters
- Short orifice refrigerant control
- Liquid line drier
- Operating charge of R-22
- Fork lift channels
- Trane-Tite-Top (T³) weather tight top and cabinet
- Trane 3-D® scroll compressors
- Low pressure switches
- Dedicated horizontal and downflow designs
- Single side access
- Drum and tube heat exchanger
- Hot surface ignition system
- Aluminized steel drum material
- Forced combustion
- Sloped sheet metal drain pan
- Gas burner view port
- Negative pressure gas valve
- Quick-access panels with handles
- Internally enhanced coil tubing
- Low ambient cooling to 0° F standard
- Colored and numbered wiring
- UL listed and CSA certified
- **5 year compressor and heat exchanger warranty**



17-1/2 Ton YCH211C

Horizontal Packaged Gas/Electric

High Efficiency

Specifications: Horizontal

Model Number	Factory Installed Option	Power Supply	Gross Capacity Cooling (BTUH)	Capacity Heating Output (BTUH)	EER	Uncrated Dimensions (in.)			Mfg. Plant	Shipping Weight
						H	W	L		
YCH211C3L0C	—	208-230/3/60	220,000	203,000	11.0	54	86	123	CK/001	2531
YCH211C3LBC	Ov Motor	208-230/3/60	220,000	203,000	11.0	54	86	123	CK/001	2621
YCH211C3LFC	TCI	208-230/3/60	220,000	203,000	11.0	54	86	123	CK/001	2532
YCH211C3H0C	—	208-230/3/60	220,000	284,000	11.0	54	86	123	CK/001	2531
YCH211C3HBC	Ov Motor	208-230/3/60	220,000	284,000	11.0	54	86	123	CK/001	2621
YCH211C3HFC	TCI	208-230/3/60	220,000	284,000	11.0	54	86	123	CK/001	2532
YCH211C4L0C	—	460/3/60	220,000	203,000	11.0	54	86	123	CK/001	2531
YCH211C4LBC	Ov Motor	460/3/60	220,000	203,000	11.0	54	86	123	CK/001	2621
YCH211C4LFC	TCI	460/3/60	220,000	203,000	11.0	54	86	123	CK/001	2532
YCH211C4H0C	—	460/3/60	220,000	284,000	11.0	54	86	123	CK/001	2531
YCH211C4HBC	Ov Motor	460/3/60	220,000	284,000	11.0	54	86	123	CK/001	2621
YCH211C4HFC	TCI	460/3/60	220,000	284,000	11.0	54	86	123	CK/001	2532
YCH211CWL0C	—	575/3/60	220,000	203,000	11.0	54	86	123	CK/001	2531
YCH211CWLBC	Ov Motor	575/3/60	220,000	203,000	11.0	54	86	123	CK/001	2621
YCH211CWLFC	TCI	575/3/60	220,000	203,000	11.0	54	86	123	CK/001	2532
YCH211CWH0C	—	575/3/60	220,000	284,000	11.0	54	86	123	CK/001	2531
YCH211CWHBC	Ov Motor	575/3/60	220,000	284,000	11.0	54	86	123	CK/001	2621
YCH211CWHFC	TCI	575/3/60	220,000	284,000	11.0	54	86	123	CK/001	2532

Features:

- ReliaTel™ controls
- Built in anti-short cycle, time-delay relay and minimum on time controls
- ICS compatibility with either factory or field installed Trane Communications Interface (TCI)
- Quick-adjust idler arm assembly for belt and motor sheave adjustment
- 2" throwaway filters
- Short orifice refrigerant control
- Liquid line drier
- Operating charge of R-22
- Fork lift channels
- Trane-Tite-Top (T³) weather tight top and cabinet
- Trane 3-D® scroll scroll compressors
- Low pressure switches
- Dedicated horizontal and downflow designs
- Single side access
- Drum and tube heat exchanger
- Hot surface ignition system
- Aluminized steel drum material
- Forced combustion
- Sloped sheet metal drain pan
- Gas burner view port
- Negative pressure gas valve
- Quick-access panels with handles
- Internally enhanced coil tubing
- Low ambient cooling to 0° F standard
- Colored and numbered wiring
- UL listed and CSA certified
- **5 year compressor and heat exchanger warranty**



17-1/2 Ton YCD211C

Downflow Packaged Gas/Electric

High Efficiency

Specifications: Downflow

Model Number	Factory Installed Option	Power Supply	Gross Capacity Cooling (BTUH)	Capacity Heating Output (BTUH)	EER	Uncrated Dimensions (in.)			Mfg. Plant	Shipping Weight
						H	W	L		
YCD211C3L0C	—	208-230/3/60	220,000	203,000	11.0	54	86	123	CK/001	2531
YCD211C3LAC	Economizer	208-230/3/60	220,000	203,000	11.0	54	86	123	CK/001	2666
YCD211C3LBC	Ov Motor	208-230/3/60	220,000	203,000	11.0	54	86	123	CK/001	2621
YCD211C3LCC	Econ/OvMtr	208-230/3/60	220,000	203,000	11.0	54	86	123	CK/001	2756
YCD211C3LFC	TCI	208-230/3/60	220,000	203,000	11.0	54	86	123	CK/001	2532
YCD211C3LGC	Econ/TCI	208-230/3/60	220,000	203,000	11.0	54	86	123	CK/001	2667
YCD211C3LHC	TXV	208-230/3/60	220,000	203,000	11.0	54	86	123	CK/001	2531
YCD211C3LJC	TXV/OvMtr	208-230/3/60	220,000	203,000	11.0	54	86	123	CK/001	2666
YCD211C3LKC	TXV/OvMtr/Econ	208-230/3/60	220,000	203,000	11.0	54	86	123	CK/001	2621
YCD211C3LLC	TXV/Econ	208-230/3/60	220,000	203,000	11.0	54	86	123	CK/001	2756
YCD211C3H0C	—	208-230/3/60	220,000	284,000	11.0	54	86	123	CK/001	2531
YCD211C3HAC	Economizer	208-230/3/60	220,000	284,000	11.0	54	86	123	CK/001	2666
YCD211C3HBC	Ov Motor	208-230/3/60	220,000	284,000	11.0	54	86	123	CK/001	2621
YCD211C3HCC	Econ/OvMtr	208-230/3/60	220,000	284,000	11.0	54	86	123	CK/001	2756
YCD211C3HFC	TCI	208-230/3/60	220,000	284,000	11.0	54	86	123	CK/001	2532
YCD211C3HGC	Econ/TCI	208-230/3/60	220,000	284,000	11.0	54	86	123	CK/001	2667
YCD211C3HHC	TXV	208-230/3/60	220,000	284,000	11.0	54	86	123	CK/001	2531
YCD211C3HJC	TXV/OvMtr	208-230/3/60	220,000	284,000	11.0	54	86	123	CK/001	2666
YCD211C3HKC	TXV/OvMtr/Econ	208-230/3/60	220,000	284,000	11.0	54	86	123	CK/001	2621
YCD211C3HLC	TXV/Econ	208-230/3/60	220,000	284,000	11.0	54	86	123	CK/001	2756
YCD211C4L0C	—	460/3/60	220,000	203,000	11.0	54	86	123	CK/001	2531
YCD211C4LAC	Economizer	460/3/60	220,000	203,000	11.0	54	86	123	CK/001	2666
YCD211C4LBC	Ov Motor	460/3/60	220,000	203,000	11.0	54	86	123	CK/001	2621
YCD211C4LCC	Econ/OvMtr	460/3/60	220,000	203,000	11.0	54	86	123	CK/001	2756
YCD211C4LFC	TCI	460/3/60	220,000	203,000	11.0	54	86	123	CK/001	2532
YCD211C4LGC	Econ/TCI	460/3/60	220,000	203,000	11.0	54	86	123	CK/001	2667
YCD211C4LHC	TXV	460/3/60	220,000	203,000	11.0	54	86	123	CK/001	2531
YCD211C4LJC	TXV/OvMtr	460/3/60	220,000	203,000	11.0	54	86	123	CK/001	2666
YCD211C4LKC	TXV/OvMtr/Econ	460/3/60	220,000	203,000	11.0	54	86	123	CK/001	2621
YCD211C4LLC	TXV/Econ	460/3/60	220,000	203,000	11.0	54	86	123	CK/001	2756
YCD211C4H0C	—	460/3/60	220,000	284,000	11.0	54	86	123	CK/001	2531
YCD211C4HAC	Economizer	460/3/60	220,000	284,000	11.0	54	86	123	CK/001	2666
YCD211C4HBC	Ov Motor	460/3/60	220,000	284,000	11.0	54	86	123	CK/001	2621
YCD211C4HCC	Econ/OvMtr	460/3/60	220,000	284,000	11.0	54	86	123	CK/001	2756
YCD211C4HFC	TCI	460/3/60	220,000	284,000	11.0	54	86	123	CK/001	2532
YCD211C4HGC	Econ/TCI	460/3/60	220,000	284,000	11.0	54	86	123	CK/001	2667
YCD211C4HHC	TXV	460/3/60	220,000	284,000	11.0	54	86	123	CK/001	2531
YCD211C4HJC	TXV/OvMtr	460/3/60	220,000	284,000	11.0	54	86	123	CK/001	2666
YCD211C4HKC	TXV/OvMtr/Econ	460/3/60	220,000	284,000	11.0	54	86	123	CK/001	2621
YCD211C4HLC	TXV/Econ	460/3/60	220,000	284,000	11.0	54	86	123	CK/001	2756



17-1/2 Ton YCD211C

Downflow Packaged Gas/Electric

High Efficiency

Specifications: Downflow

Model Number	Factory Installed Option	Power Supply	Gross Capacity Cooling (BTUH)	Capacity Heating Output (BTUH)	EER	Uncrated Dimensions (in.)			Mfg. Plant	Shipping Weight
						H	W	L		
YCD211CWL0C	—	575/3/60	220,000	203,000	11.0	54	86	123	CK/001	2531
YCD211CWLAC	Economizer	575/3/60	220,000	203,000	11.0	54	86	123	CK/001	2666
YCD211CWLBC	Ov Motor	575/3/60	220,000	203,000	11.0	54	86	123	CK/001	2621
YCD211CWLCC	Econ/OvMtr	575/3/60	220,000	203,000	11.0	54	86	123	CK/001	2756
YCD211CWLFC	TCI	575/3/60	220,000	203,000	11.0	54	86	123	CK/001	2532
YCD211CWLGC	Econ/TCI	575/3/60	220,000	203,000	11.0	54	86	123	CK/001	2667
YCD211CWLHC	TXV	575/3/60	220,000	203,000	11.0	54	86	123	CK/001	2531
YCD211CWLJC	TXV/OvMtr	575/3/60	220,000	203,000	11.0	54	86	123	CK/001	2666
YCD211CWLKC	TXV/OvMtr/Econ	575/3/60	220,000	203,000	11.0	54	86	123	CK/001	2621
YCD211CWLLC	TXV/Econ	575/3/60	220,000	203,000	11.0	54	86	123	CK/001	2756
YCD211CWH0C	—	575/3/60	220,000	284,000	11.0	54	86	123	CK/001	2531
YCD211CWHAC	Economizer	575/3/60	220,000	284,000	11.0	54	86	123	CK/001	2666
YCD211CWHBC	Ov Motor	575/3/60	220,000	284,000	11.0	54	86	123	CK/001	2621
YCD211CWHCC	Econ/OvMtr	575/3/60	220,000	284,000	11.0	54	86	123	CK/001	2756
YCD211CWHFC	TCI	575/3/60	220,000	284,000	11.0	54	86	123	CK/001	2532
YCD211CWHGC	Econ/TCI	575/3/60	220,000	284,000	11.0	54	86	123	CK/001	2667
YCD211CWHHC	TXV	575/3/60	220,000	284,000	11.0	54	86	123	CK/001	2531
YCD211CWHJC	TXV/OvMtr	575/3/60	220,000	284,000	11.0	54	86	123	CK/001	2666
YCD211CWHKC	TXV/OvMtr/Econ	575/3/60	220,000	284,000	11.0	54	86	123	CK/001	2621
YCD211CWHLC	TXV/Econ	575/3/60	220,000	284,000	11.0	54	86	123	CK/001	2756



20 Ton YCH241C

Horizontal Packaged Gas/Electric

High Efficiency

Specifications: Horizontal

Model Number	Factory Installed Option	Power Supply	Gross Capacity Cooling (BTUH)	Capacity Heating Output (BTUH)	EER	Uncrated Dimensions (in.)			Mfg. Plant	Shipping Weight
						H	W	L		
YCH241C3L0C	—	208-230/3/60	268,000	203,000	10.60	54	86	123	CK/001	2645
YCH241C3LBC	Ov Motor	208-230/3/60	268,000	203,000	10.60	54	86	123	CK/001	2735
YCH241C3LFC	TCI	208-230/3/60	268,000	203,000	10.60	54	86	123	CK/001	2646
YCH241C3H0C	—	208-230/3/60	268,000	284,000	10.60	54	86	123	CK/001	2645
YCH241C3HBC	Ov Motor	208-230/3/60	268,000	284,000	10.60	54	86	123	CK/001	2735
YCH241C3HFC	TCI	208-230/3/60	268,000	284,000	10.60	54	86	123	CK/001	2646
YCH241C4L0C	—	460/3/60	268,000	203,000	10.60	54	86	123	CK/001	2645
YCH241C4LBC	Ov Motor	460/3/60	268,000	203,000	10.60	54	86	123	CK/001	2735
YCH241C4LFC	TCI	460/3/60	268,000	203,000	10.60	54	86	123	CK/001	2646
YCH241C4H0C	—	460/3/60	268,000	284,000	10.60	54	86	123	CK/001	2645
YCH241C4HBC	Ov Motor	460/3/60	268,000	284,000	10.60	54	86	123	CK/001	2735
YCH241C4HFC	TCI	460/3/60	268,000	284,000	10.60	54	86	123	CK/001	2646
YCH241CWL0C	—	575/3/60	268,000	203,000	10.60	54	86	123	CK/001	2645
YCH241CWLBC	Ov Motor	575/3/60	268,000	203,000	10.60	54	86	123	CK/001	2735
YCH241CWLFC	TCI	575/3/60	268,000	203,000	10.60	54	86	123	CK/001	2646
YCH241CWH0C	—	575/3/60	268,000	284,000	10.60	54	86	123	CK/001	2645
YCH241CWHBC	Ov Motor	575/3/60	268,000	284,000	10.60	54	86	123	CK/001	2735
YCH241CWHFC	TCI	575/3/60	268,000	284,000	10.60	54	86	123	CK/001	2646

Features:

- ReliaTel™ controls
- Built in anti-short cycle, time-delay relay and minimum on time controls
- ICS compatibility with either factory or field installed Trane Communications Interface (TCI)
- Quick-adjust idler arm assembly for belt and motor sheave adjustment
- 2" throwaway filters
- Liquid line drier
- Operating charge of R-22
- Short orifice refrigerant control
- Fork lift channels
- Trane-Tite-Top (T³) weather tight top and cabinet
- Trane 3-D® scroll compressors
- Low pressure switches
- Dedicated horizontal and downflow designs
- Single side access
- Drum and tube gas heat exchanger
- Hot surface ignition system
- Aluminized steel drum material
- Forced combustion
- Gas burner view port
- Negative pressure gas valve
- Sloped sheet metal drain pan
- Quick-access panels with handles
- Internally enhanced coil tubing
- Low ambient cooling to 0° F standard
- Colored and numbered wiring
- UL listed and CSA certified
- **1 year compressor and heat exchanger warranty on 20 and 25 ton units**



20 Ton
YCD241C
YFD241C

Downflow
Packaged
Gas/Electric

Specifications: Downflow — High Efficiency

Model Number	Factory Installed Option	Power Supply	Gross Capacity Cooling (BTUH)	Capacity Heating Output (BTUH)	EER	Uncrated Dimensions (in.)			Mfg. Plant	Shipping Weight
						H	W	L		
YCD241C3L0C	—	208-230/3/60	268,000	203,000	10.60	54	86	123	CK/001	2629
YCD241C3LAC	Economizer	208-230/3/60	268,000	203,000	10.60	54	86	123	CK/001	2764
YCD241C3LBC	Ov Motor	208-230/3/60	268,000	203,000	10.60	54	86	123	CK/001	2719
YCD241C3LCC	Econ/OvMtr	208-230/3/60	268,000	203,000	10.60	54	86	123	CK/001	2854
YCD241C3LFC	TCI	208-230/3/60	268,000	203,000	10.60	54	86	123	CK/001	2630
YCD241C3LGC	Econ/TCI	208-230/3/60	268,000	203,000	10.60	54	86	123	CK/001	2765
YCD241C3LHC	TXV	208-230/3/60	268,000	203,000	10.60	54	86	123	CK/001	2629
YCD241C3LJC	TXV/OvMtr	208-230/3/60	268,000	203,000	10.60	54	86	123	CK/001	2719
YCD241C3LKC	TXV/OvMtr/Econ	208-230/3/60	268,000	203,000	10.60	54	86	123	CK/001	2854
YCD241C3LLC	TXV/Econ	208-230/3/60	268,000	203,000	10.60	54	86	123	CK/001	2764
YFD241C3LMC	Reheat Coil	208-230/3/60	268,000	203,000	10.60	54	86	123	CK/001	2784
YFD241C3LNC	Econ/Reheat Coil	208-230/3/60	268,000	203,000	10.60	54	86	123	CK/001	2919
YFD241C3LPC	Ov Mtr/Reheat Coil	208-230/3/60	268,000	203,000	10.60	54	86	123	CK/001	2874
YFD241C3LRC	Econ/Ov Mtr/Reheat Coil	208-230/3/60	268,000	203,000	10.60	54	86	123	CK/001	3009
YCD241C3H0C	—	208-230/3/60	268,000	284,000	10.60	54	86	123	CK/001	2629
YCD241C3HAC	Economizer	208-230/3/60	268,000	284,000	10.60	54	86	123	CK/001	2764
YCD241C3HBC	Ov Motor	208-230/3/60	268,000	284,000	10.60	54	86	123	CK/001	2719
YCD241C3HCC	Econ/OvMtr	208-230/3/60	268,000	284,000	10.60	54	86	123	CK/001	2854
YCD241C3HFC	TCI	208-230/3/60	268,000	284,000	10.60	54	86	123	CK/001	2630
YCD241C3HGC	Econ/TCI	208-230/3/60	268,000	284,000	10.60	54	86	123	CK/001	2765
YCD241C3HHC	TXV	208-230/3/60	268,000	284,000	10.60	54	86	123	CK/001	2629
YCD241C3HJC	TXV/OvMtr	208-230/3/60	268,000	284,000	10.60	54	86	123	CK/001	2719
YCD241C3HKC	TXV/OvMtr/Econ	208-230/3/60	268,000	284,000	10.60	54	86	123	CK/001	2854
YCD241C3HLC	TXV/Econ	208-230/3/60	268,000	284,000	10.60	54	86	123	CK/001	2764
YFD241C3HMC	Reheat Coil	208-230/3/60	268,000	284,000	10.60	54	86	123	CK/001	2784
YFD241C3HNC	Econ/Reheat Coil	208-230/3/60	268,000	284,000	10.60	54	86	123	CK/001	2919
YFD241C3HPC	Ov Mtr/Reheat Coil	208-230/3/60	268,000	284,000	10.60	54	86	123	CK/001	2874
YFD241C3HRC	Econ/Ov Mtr/Reheat Coil	208-230/3/60	268,000	284,000	10.60	54	86	123	CK/001	3009
YCD241C4L0C	—	460/3/60	268,000	203,000	10.60	54	86	123	CK/001	2629
YCD241C4LAC	Economizer	460/3/60	268,000	203,000	10.60	54	86	123	CK/001	2764
YCD241C4LBC	Ov Motor	460/3/60	268,000	203,000	10.60	54	86	123	CK/001	2719
YCD241C4LCC	Econ/OvMtr	460/3/60	268,000	203,000	10.60	54	86	123	CK/001	2854
YCD241C4LFC	TCI	460/3/60	268,000	203,000	10.60	54	86	123	CK/001	2630
YCD241C4LGC	Econ/TCI	460/3/60	268,000	203,000	10.60	54	86	123	CK/001	2765
YCD241C4LHC	TXV	460/3/60	268,000	203,000	10.60	54	86	123	CK/001	2629
YCD241C4LJC	TXV/OvMtr	460/3/60	268,000	203,000	10.60	54	86	123	CK/001	2719
YCD241C4LKC	TXV/OvMtr/Econ	460/3/60	268,000	203,000	10.60	54	86	123	CK/001	2854
YCD241C4LLC	TXV/Econ	460/3/60	268,000	203,000	10.60	54	86	123	CK/001	2764
YFD241C4LMC	Reheat Coil	460/3/60	268,000	203,000	10.60	54	86	123	CK/001	2784
YFD241C4LNC	Econ/Reheat Coil	460/3/60	268,000	203,000	10.60	54	86	123	CK/001	2919
YFD241C4LPC	Ov Mtr/Reheat Coil	460/3/60	268,000	203,000	10.60	54	86	123	CK/001	2874
YFD241C4LRC	Econ/Ov Mtr/Reheat Coil	460/3/60	268,000	203,000	10.60	54	86	123	CK/001	3009



20 Ton
YCD241C
YFD241C

Downflow
Packaged
Gas/Electric

Specifications: Downflow — High Efficiency

Model Number	Factory Installed Option	Power Supply	Gross Capacity Cooling (BTUH)	Capacity Heating Output (BTUH)	EER	Uncrated Dimensions (in.)			Mfg. Plant	Shipping Weight
						H	W	L		
YCD241C4H0C	—	460/3/60	268,000	284,000	10.60	54	86	123	CK/001	2629
YCD241C4HAC	Economizer	460/3/60	268,000	284,000	10.60	54	86	123	CK/001	2764
YCD241C4HBC	Ov Motor	460/3/60	268,000	284,000	10.60	54	86	123	CK/001	2719
YCD241C4HCC	Econ/OvMtr	460/3/60	268,000	284,000	10.60	54	86	123	CK/001	2854
YCD241C4HFC	TCI	460/3/60	268,000	284,000	10.60	54	86	123	CK/001	2630
YCD241C4HGC	Econ/TCI	460/3/60	268,000	284,000	10.60	54	86	123	CK/001	2765
YCD241C4HHC	TXV	460/3/60	268,000	284,000	10.60	54	86	123	CK/001	2629
YCD241C4HJC	TXV/OvMtr	460/3/60	268,000	284,000	10.60	54	86	123	CK/001	2719
YCD241C4HKC	TXV/OvMtr/Econ	460/3/60	268,000	284,000	10.60	54	86	123	CK/001	2854
YCD241C4HLC	TXV/Econ	460/3/60	268,000	284,000	10.60	54	86	123	CK/001	2764
YFD241C4HMC	Reheat Coil	460/3/60	268,000	284,000	10.60	54	86	123	CK/001	2784
YFD241C4HNC	Econ/Reheat Coil	460/3/60	268,000	284,000	10.60	54	86	123	CK/001	2919
YFD241C4HPC	Ov Mtr/Reheat Coil	460/3/60	268,000	284,000	10.60	54	86	123	CK/001	2874
YFD241C4HRC	Econ/Ov Mtr/Reheat Coil	460/3/60	268,000	284,000	10.60	54	86	123	CK/001	3009
YCD241CWL0C	—	575/3/60	268,000	203,000	10.60	54	86	123	CK/001	2629
YCD241CWLAC	Economizer	575/3/60	268,000	203,000	10.60	54	86	123	CK/001	2764
YCD241CWLBC	Ov Motor	575/3/60	268,000	203,000	10.60	54	86	123	CK/001	2719
YCD241CWLCC	Econ/OvMtr	575/3/60	268,000	203,000	10.60	54	86	123	CK/001	2854
YCD241CWLFC	TCI	575/3/60	268,000	203,000	10.60	54	86	123	CK/001	2630
YCD241CWLGC	Econ/TCI	575/3/60	268,000	203,000	10.60	54	86	123	CK/001	2765
YCD241CWLHC	TXV	575/3/60	268,000	203,000	10.60	54	86	123	CK/001	2629
YCD241CWLJC	TXV/OvMtr	575/3/60	268,000	203,000	10.60	54	86	123	CK/001	2719
YCD241CWLKC	TXV/OvMtr/Econ	575/3/60	268,000	203,000	10.60	54	86	123	CK/001	2854
YCD241CWLLC	TXV/Econ	575/3/60	268,000	203,000	10.60	54	86	123	CK/001	2764
YFD241CWLMC	Reheat Coil	460/3/60	268,000	203,000	10.60	54	86	123	CK/001	2784
YFD241CWLNC	Econ/Reheat Coil	460/3/60	268,000	203,000	10.60	54	86	123	CK/001	2919
YFD241CWLPC	Ov Mtr/Reheat Coil	460/3/60	268,000	203,000	10.60	54	86	123	CK/001	2874
YFD241CWLRC	Econ/Ov Mtr/Reheat Coil	460/3/60	268,000	203,000	10.60	54	86	123	CK/001	3009
YCD241CWH0C	—	575/3/60	268,000	284,000	10.60	54	86	123	CK/001	2629
YCD241CWHAC	Economizer	575/3/60	268,000	284,000	10.60	54	86	123	CK/001	2764
YCD241CWHBC	Ov Motor	575/3/60	268,000	284,000	10.60	54	86	123	CK/001	2719
YCD241CWHCC	Econ/OvMtr	575/3/60	268,000	284,000	10.60	54	86	123	CK/001	2854
YCD241CWHFC	TCI	575/3/60	268,000	284,000	10.60	54	86	123	CK/001	2630
YCD241CWHGC	Econ/TCI	575/3/60	268,000	284,000	10.60	54	86	123	CK/001	2765
YCD241CWHHC	TXV	575/3/60	268,000	284,000	10.60	54	86	123	CK/001	2629
YCD241CWHJC	TXV/OvMtr	575/3/60	268,000	284,000	10.60	54	86	123	CK/001	2719
YCD241CWHKC	TXV/OvMtr/Econ	575/3/60	268,000	284,000	10.60	54	86	123	CK/001	2854
YCD241CWHLC	TXV/Econ	575/3/60	268,000	284,000	10.60	54	86	123	CK/001	2764
YFD241CWHMC	Reheat Coil	460/3/60	268,000	284,000	10.60	54	86	123	CK/001	2784
YFD241CWHNC	Econ/Reheat Coil	460/3/60	268,000	284,000	10.60	54	86	123	CK/001	2919
YFD241CWHPC	Ov Mtr/Reheat Coil	460/3/60	268,000	284,000	10.60	54	86	123	CK/001	2874
YFD241CWHRC	Econ/Ov Mtr/Reheat Coil	460/3/60	268,000	284,000	10.60	54	86	123	CK/001	3009



25 Ton
YCH301C
YCD301C

Horizontal and
Downflow
Packaged
Gas/Electric

High Efficiency

Specifications: Horizontal

Model Number	Factory Installed Option	Power Supply	Gross Capacity			Uncrated Dimensions (in.)			Mfg. Plant	Shipping Weight
			Capacity Cooling (BTUH)	Capacity Heating (BTUH)	EER	H	W	L		
YCH301C3L0C	—	208-230/3/60	300,000	203,000	10.40	54	86	123	CK/001	2651
YCH301C3LFC	TCI	208-230/3/60	300,000	203,000	10.40	54	86	123	CK/001	2652
YCH301C3H0C	—	208-230/3/60	300,000	324,000	10.40	54	86	123	CK/001	2651
YCH301C3HFC	TCI	208-230/3/60	300,000	324,000	10.40	54	86	123	CK/001	2652
YCH301C4L0C	—	460/3/60	300,000	203,000	10.40	54	86	123	CK/001	2651
YCH301C4LFC	TCI	460/3/60	300,000	203,000	10.40	54	86	123	CK/001	2652
YCH301C4H0C	—	460/3/60	300,000	324,000	10.40	54	86	123	CK/001	2651
YCH301C4HFC	TCI	460/3/60	300,000	324,000	10.40	54	86	123	CK/001	2652
YCH301CWL0C	—	575/3/60	300,000	284,000	10.40	54	86	123	CK/001	2651
YCH301CWLFC	TCI	575/3/60	300,000	203,000	10.40	54	86	123	CK/001	2652
YCH301CWH0C	—	575/3/60	300,000	324,000	10.40	54	86	123	CK/001	2651
YCH301CWHFC	TCI	575/3/60	300,000	324,000	10.40	54	86	123	CK/001	2652

Specifications: Downflow

Model Number	Factory Installed Option	Power Supply	Gross Capacity			Uncrated Dim.(in.)			Mfg. Plant	Shipping Weight
			Capacity Cooling (BTUH)	Capacity Heating (BTUH)	EER	H	W	L		
YCD301C3L0C	—	208-230/3/60	300,000	203,000	10.40	54	86	123	CK/001	2635
YCD301C3LAC	Economizer	208-230/3/60	300,000	203,000	10.40	54	86	123	CK/001	2770
YCD301C3LFC	TCI	208-230/3/60	300,000	203,000	10.40	54	86	123	CK/001	2636
YCD301C3LGC	Econ/TCI	208-230/3/60	300,000	203,000	10.40	54	86	123	CK/001	2771
YCD301C3LHC	TXV	208-230/3/60	300,000	203,000	10.40	54	86	123	CK/001	2635
YCD301C3LLC	TXV/Econ	208-230/3/60	300,000	203,000	10.40	54	86	123	CK/001	2770
YCD301C3H0C	—	208-230/3/60	300,000	324,000	10.40	54	86	123	CK/001	2635
YCD301C3HAC	Economizer	208-230/3/60	300,000	324,000	10.40	54	86	123	CK/001	2770
YCD301C3HFC	TCI	208-230/3/60	300,000	324,000	10.40	54	86	123	CK/001	2636
YCD301C3HGC	Econ/TCI	208-230/3/60	300,000	324,000	10.40	54	86	123	CK/001	2771
YCD301C3HHC	TXV	208-230/3/60	300,000	324,000	10.40	54	86	123	CK/001	2635
YCD301C3HLC	TXV/Econ	208-230/3/60	300,000	324,000	10.40	54	86	123	CK/001	2770
YCD301C4L0C	—	460/3/60	300,000	203,000	10.40	54	86	123	CK/001	2635
YCD301C4LAC	Economizer	460/3/60	300,000	203,000	10.40	54	86	123	CK/001	2770
YCD301C4LFC	TCI	460/3/60	300,000	203,000	10.40	54	86	123	CK/001	2636
YCD301C4LGC	Econ/TCI	460/3/60	300,000	203,000	10.40	54	86	123	CK/001	2771
YCD301C4LHC	TXV	460/3/60	300,000	203,000	10.40	54	86	123	CK/001	2635
YCD301C4LLC	TXV/Econ	460/3/60	300,000	203,000	10.40	54	86	123	CK/001	2770



**25 Ton
YCH301C
YCD301C**

**Horizontal and
Downflow
Packaged**

High Efficiency

Gas/Electric

Specifications: Horizontal

Model Number	Factory Installed Option	Power Supply	Gross Capacity Cooling (BTUH)	Capacity Heating Output (BTUH)	EER	Uncrated Dimensions (in.)			Mfg. Plant	Shipping Weight
						H	W	L		
YCD301C4H0C	—	460/3/60	300,000	324,000	10.40	54	86	123	CK/001	2635
YCD301C4HAC	Economizer	460/3/60	300,000	324,000	10.40	54	86	123	CK/001	2770
YCD301C4HFC	TCI	460/3/60	300,000	324,000	10.40	54	86	123	CK/001	2636
YCD301C4HGC	Econ/TCI	460/3/60	300,000	324,000	10.40	54	86	123	CK/001	2771
YCD301C4HHC	TXV	460/3/60	300,000	324,000	10.40	54	86	123	CK/001	2635
YCD301C4HLC	TXV/Econ	460/3/60	300,000	324,000	10.40	54	86	123	CK/001	2770
YCD301CWL0C	—	575/3/60	300,000	284,000	10.40	54	86	123	CK/001	2635
YCD301CWLAC	Economizer	575/3/60	300,000	284,000	10.40	54	86	123	CK/001	2770
YCD301CWLFC	TCI	575/3/60	300,000	203,000	10.40	54	86	123	CK/001	2636
YCD301CWLGC	Econ/TCI	575/3/60	300,000	203,000	10.40	54	86	123	CK/001	2771
YCD301CWLHC	TXV	575/3/60	300,000	203,000	10.40	54	86	123	CK/001	2635
YCD301CWLLC	TXV/Econ	575/3/60	300,000	203,000	10.40	54	86	123	CK/001	2770
YCD301CWH0C	—	575/3/60	300,000	324,000	10.40	54	86	123	CK/001	2635
YCD301CWHAC	Economizer	575/3/60	300,000	324,000	10.40	54	86	123	CK/001	2770
YCD301CWHFC	TCI	575/3/60	300,000	324,000	10.40	54	86	123	CK/001	2636
YCD301CWHGC	Econ/TCI	575/3/60	300,000	324,000	10.40	54	86	123	CK/001	2771
YCD301CWHHC	TXV	575/3/60	300,000	324,000	10.40	54	86	123	CK/001	2635
YCD301CWHLC	TXV/Econ	575/3/60	300,000	324,000	10.40	54	86	123	CK/001	2770



15 — 25 Ton
YCH181 - 301C
YCD181 - 301C

**Horizontal and
Downflow
Packaged
Gas/Electric**

High Efficiency

Accessories:

Model Number	Description	Used With	Mfg. Plant	Shipping Weight
Extended Warranties – (1 yr - 5 yr – See Extended Warranty Section)				
BAYABRD002B	ReliaTel™ Options Module	See Note ①	CK/001	2
BAYCURB027B①⑦	Downflow Roof Curb	YCD181-301C	CK/001	235
BAYDMPR029C	0-25% Manual Outside Air Damper	YCD181-301C YCH181-301C	CK/001	32
BAYDMPR058A	Motorized Outside Air Damper	YCD181-301C YCH181-301C	CK/001	75
BAYECON090A	Downflow Economizer with Barometric Relief	YCD181-301C	CK/001	135
BAYECON092A	Horizontal Economizer	YCH181-301C	CK/001	165
BAYGARD045A	Tool-less Condenser Coil Hail Guard	YC*181-301C	CK/001	50/60
BAYSTAT023	Remote Potentiometer	BAYECON090A,091A BAYDMPR058A	CK/001	1
BAYPWRX029A	Power Exhaust for use with Downflow Economizer 230V	YCD181-301C3	CK/001	95
BAYPWRX030A	Power Exhaust for use with Downflow Economizer 460V	YCD181-301C4	CK/001	95
BAYPWRX031A	Power Exhaust for use with Downflow Economizer/ 575V	YCD181-301CW	CK/001	95
BAYHSMT042A④	7½ HP Oversize Motor Kit	YCD211-241CW/YCH211-241CW	CK/001	90
BAYHSMT055B④	5 HP Oversize Motor Kit	YCD/YCH181C	CK/001	110
BAYHSMT072A④	7½ HP Oversize Motor Kit	YCD181CW/YCH181CW	CK/001	90
BAYHSMT098A④	7½ HP Oversize Motor Kit	YC*211-241C3	CK/001	90
BAYHSMT099A④	7½ HP Oversize Motor Kit	YC*211-241C4	CK/001	90
BAYHSDR004A④	High Static Drive	YCD/YCH181C	CK/001	15
BAYHSDR005B④	High Static Drive	YCD211-241C/YCH211-241C	CK/001	2
BAYHSDR010A④	High Static Drive	YCD/YCH301C	CK/001	2
BAYHSDR011A④	High Static Drive	YCD/YCH181	CK/001	2
BAYLSDR002A	Low Static Drive	YCD/YCH301C	CK/001	2
BAYLPKT018A	LP Conversion Kit	YCD/H181-301C	CK/001	1
BAYSERV001A	Selective Resistance Service Tester	YCD/H181-301C	CK/001	2
BAYSENS016A⑥	Temperature Sensor	YCD/H181-301C	CK/001	1
BAYFRST003A③	High Temperature Stat	YCD/H181-301C	CK/001	1
BAYENTH007A②	Reference Enthalpy Kit	BAYECON090A BAYECON092A	CK/001	1
BAYENTH008A②	Comparative Enthalpy Kit	BAYECON090A BAYECON092A	CK/001	1
BAYDFPS005A⑤	Clogged Filter Switch	YCD/H181-301C	CK/001	1
BAYDFPS006A⑤	Fan Failure Switch	YCD/H181-301C	CK/001	1
BAYLOAM023A	Evaporator Defrost Control (Frostat)	YC*181-301C w/ReliaTel Options Module	CK/001	3
BAYTUBE008A⑥	Discharge Air Sensing Kit	YCD181-301C	CK/001	1
BAYTUBE009A⑥	Discharge Air Sensing Kit	YCH181-301C	CK/001	1
BAYVNOR002B	Ventilation Override Kit	YC*181-301C w/ReliaTel Options Module	CK/001	2

① For downflow use only. Cannot be adapted for horizontal units.

② Kits contain all necessary parts to achieve desired level of enthalpy control.

③ Must be used with either field or factory installed TCI (Trane Communication Interface).

④ High static drive and oversized motors are mutually exclusive. Do not combine.

⑤ Used for true discharge air sensing in both heating and cooling models. Functional only with ReliaTelOptions Module (BAYABRD002B/FIYABRD002B).

⑥ Cannot be used with manual outside air damper.

⑦ Clarksville Manufacturing has a no-return policy for this roof curb.

⑧ BAYABRD002B is required when ordering field installed accessories Clogged Filter Switch (BAYDFPS005A), Fan Fail Switch (BAYDFPS006A), Discharge Air Sensing Kit (BAYTUBE008A or BAYTUBE009A), Frostat (BAYLOAM023A), Ventilation Override (BAYVNOR002B).

⑨ Functional only with ReliaTelOptions Module (BAYABRD002B/FIYABRD002B).



12 1/2— 25 Ton

**Packaged
Gas/Electric**

High Efficiency

Zone Sensors: (Micro Thermostats to be used with ReliaTel™ Units)

Model Number	Description	Used with	Mfg. Plant	Shipping Weight
BAYSENS006B	Single Setpoint Manual Changeover	YC*151-301C	CK/001	1
BAYSENS008B	Dual Setpoint Manual or Auto Changeover	YC*151-301C	CK/001	1
BAYSENS010B	Dual Setpoint Man. or Auto Changeover with System Function Lights	YC*151-301C	CK/001	1
BAYSENS019C	Programmable Night Setback w/System Function Lights	YC*151-301C	CK/001	1
BAYSENS013C ^①	Room Sensor w/Override Button	YC*151-301C	CK/001	1
BAYSENS014C ^①	Room Sensor w/ Temp. Adjustment And Override	YC*151-301C	CK/001	1
BAYSENS017B	Remote Room Sensor	BAYSENS006B, 008B, 010B & 019C	CK/001	1
BAYSENS032A ^③	Dual Thermistor Remote Zone Sensor	YC*151-301C	CK/001	1
BAYSENS035A ^③	Digital Display Zone Sensor	YC*151-301C	CK/001	1
BAYMTPL003B	Retrofit Wall Cover Plate Kit 7.25" x 6.0"	BAYSENS019C	CK/001	1
BAYMTPL004B	Retrofit Wall Cover Plate Kit 4.75" x 4.75"	BAYSENS008,010 017B & 013,014C	CK/001	1
BAYSTAT050A	2Htg/2Clg Digital Display Programmable Thermostat	YC*151-301C	CK/001	1
BAYSTAT052A	2Htg/2Clg Digital Display Programmable "TOUCHSCREEN" Thermostat	YC*151-301C	CK/001	1
BAYSTAT053A	3Htg/2Clg Digital Display Programmable Thermostat with Relative Humidity Sensing Built-In	YC*151-301C (with Dehumidification Option)	CK/001	1
BAYSTAT055A	3Htg/2Clg Digital Display Thermostat	YC*151-301C	CK/001	1
BAYSTAT059A	Return Air Remote Sensor	BAYSTAT050A,052A,053A	CK/001	1
BAYSTAT060A	Wall Mounted Remote Sensor	BAYSTAT050A,052A,053A	CK/001	1

① Used with Integrated Comfort™ Systems, any unit type. These sensors do not work with TCM. Consult BASD Marketing for them.

② See Accessory IOM for operational characteristics.

③ Functional only with ReliaTel™ controls.

* Either horizontal or downflow models.

Controls:

Model Number	Description	Used with	Mfg. Plant	Shipping Weight
BAYCO2K002B	CO ₂ Sensor Kit Wall Mounted	YC*151-301C w/Economizer	CK/001	3
BAYCO2K004B	CO ₂ Sensor Kit Duct Mounted	YC*151-301C w/Economizer	CK/001	3.5
BAYICSI004B	Field Installed TCI (Trane Communication Interface)	YC*151-301C	CK/001	1
BAYLTCI003B	LonTalk Interface	YC*151-301C	CK/001	1

Model Nomenclature Packaged Units

4 W C Y 4 0 4 8 A 3 0 0 0 A A

Refrigerant

2 = R-22
4 = R-410A

Type

YC = Gas Electric
WC = Heat Pump
TC = Air Conditioner

Model Tier

C = Entry Level
X = Upgrade
Y = Premium

Efficiency Tier

3 = 13 SEER
4 = 14 SEER

Capacity

018 042
024 048
030 060
036

Major Model Sequence

Voltage & Phase

1 = 230V 1-Phase
3 = 230V 3-Phase
4 = 460V 3-Phase

Gas Heat Input (MBTU/H)

000 (AC or HP)
040 096
064 120
075

Minor Design Sequence

Specifications: XL14c — Single Phase R-410A

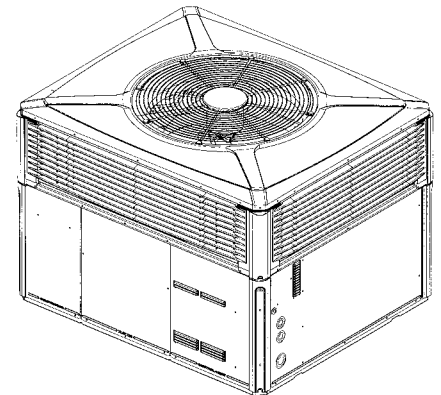
Model Number	Power Supply	Capacity Cooling			Uncrated Dimensions(in.)			Mfg. Plant	Shipping Weight
		(BTUH)	SEER	HSPF	H	W	L		
4WCY4024A1000A	208/230/1/60	24,400	14.25	8.30	36	43	51	FS/200	453
4WCY4036A1000A	208/230/1/60	37,000	14.35	8.60	38	43	51	FS/200	468
4WCY4048A1000A	208/230/1/60	47,000	14.25	8.00	38	46	61	FS/200	607
4WCY4060A1000A	208/230/1/60	58,000	14.00	8.20	42	46	61	FS/200	623

Specifications: XL14c — Three Phase R-410A

Model Number	Power Supply	Capacity Cooling			Uncrated Dimensions(in.)			Mfg. Plant	Shipping Weight
		(BTUH)	SEER	HSPF	H	W	L		
4WCY4036A3000A	208/230/3/60	35,800	14.35	8.60	38	43	51	FS/200	468
4WCY4048A3000A	208/230/3/60	47,000	14.25	8.00	38	46	61	FS/200	607
4WCY4060A3000A	208/230/1/60	58,000	14.25	8.20	42	46	61	FS/200	623

Features:

- Variable speed indoor blower motors with **Comfort-R™** airflow system
- Architectural Louvers and Corner Guards for durable protection and extra safety
- Appliance Grade Finish of durable powder paint baked on both sides of every panel
- Weather Beater top contoured and reinforced for strength
- Exclusive **Climatuff®** high efficiency compressor
- All Aluminum **Spine Fin™** outdoor coil
- Swept-blade Outdoor fan for quiet operation
- Semi-Elliptical, Logarithmic Expansion Composite **Vortica®** Blower uses less energy to provide more air with less sound
- Right-side electrical service access for high and low voltage connections
- Steeply sloped composite drain pan
- Shipped for horizontal application, easily convertible to downflow
- One electric heater family
- Optional filter rack kits fit inside the unit. Available for 1" or 2" media
- Low voltage polarized plug for easy electric heater installation
- Demand defrost control
- Refrigerant line filter drier
- Solenoid operated switchover valve
- Copper tube, aluminum fin indoor coil
- High efficiency outdoor fan motor with polarized plug
- Non-bleed expansion valve on indoor coils
- Water shed base
- UL Listed
- Compressor internal overload protection
- Protected pressure taps for refrigerant checks
- Standard cooling operation to 55°F as manufactured
- Low ambient cooling to 0°F with BAYLOAM105A
- **10-year limited compressor and outdoor coil warranty, 5-year other parts single phase (Residential Use Only)**
- **Optional extended warranties**





2 — 4 Ton
4WCY4024 - 060A

XL14c
Convertible Pkg.
Heat Pump

Supplementary Heaters: Separate power source /power entry required

Model Number	Description	Used With	Mfg. Plant	Shipping Weight
BAYHTRV105B	3.76/5.0 kW Heater (208/240V 1PH)	4WCY4024-060A1	FS/200	9
BAYHTRV110B	7.50/10.0 kW Heater (208/240V 1PH)	4WCY4024-060A1	FS/200	10
BAYHTRV115B	11.27/15.00 kW Heater (208/240V 1PH)	4WCY4036-060A1	FS/200	14
BAYHTRV120B	15.0/20.0 kW Heater (208/240V 1PH)	4WCY4048-060A1	FS/200	14
BAYHTRV125B	18.78/25.0 kW Heater (208/240V 1PH)	4WCY4060A1	FS/200	21
BAYHTRV305B	3.76/5.0 kW Heater (208/240V 3PH)	4WCY4036-060A3	FS/200	9
BAYHTRV310B	7.50/10.0 kW Heater (208/240V 3PH)	4WCY4036-060A3	FS/200	10
BAYHTRV315B	11.27/15.00 kW Heater (208/240V 3PH)	4WCY4036-060A3	FS/200	14
BAYHTRV320B	15.00/20.0 kW Heater (208/240V 3PH)	4WCY4048-060A3	FS/200	14
BAYHTRV325B	18.78/25.0 kW Heater (208/240V 3PH)	4WCY4060A3	FS/200	20

Single Power Entry Kit/Heater Matrix:

Single Power Entry Kit ^①	Heater Model	Unit Model	Mfg. Plant	Shipping Weight
BAYSPEK060B	BAYHTRV105B	4WCY4024-036A1	FS/200	3
BAYSPEK061B	BAYHTRV305B BAYHTRV310B	4WCY4036-048A3 4WCY4036-048A3	FS/200	7
BAYSPEK062B	BAYHTRV105B BAYHTRV110B	4WCY4048-060A1 4WCY4024-060A1	FS/200	7
BAYSPEK063B	BAYHTRV115B BAYHTRV120B	4WCY4036-060A1 4WCY4048-060A1	FS/200	7
BAYSPEK064B	BAYHTRV315B BAYHTRV320B	4WCY4036-060A3 4WCY4048-060A3	FS/200	6
BAYSPEK065B	BAYHTRV310B	4WCY4060A3	FS/200	7

^①All necessary fuses are included in kit



2 — 4 Ton 4WCY4024 - 060A

XL14c Convertible Pkg. Heat Pump

Accessories:

Model Number	Description	Used With	Mfg. Plant	Shipping Weight
Extended Warranties – (1 yr - 5 yr - 10 yr – See Extended Warranty Section)				
Controls	See Comfort Controls Section			
BAYCURB050A	Roof Curb (Flat Roof) ^{③⑥}	4WCY4024-036A	FS/200	74
BAYCURB051A	Roof Curb (Flat Roof) ^{③⑦}	4WCY4048-060A	FS/200	74
BAYECON101A	0-100% Mod. Economizer w/Baro. Relief ^{①②④⑤⑧}	4WCY4024-036A	FS/200	50
BAYECON102A	0-100% Mod. Economizer w/Baro. Relief ^{①②④⑤⑧}	4WCY4048-060A	FS/200	65
BAYECON200A	0-100% Mod. Econ. - Horizontal ^{①②④⑧}	4WCY4024-036A	FS/200	85
BAYECON201A	0-100% Mod. Econ. - Horizontal ^{①②④⑧}	4WCY4048-060A	FS/200	85
BAYRLAY004A	Economizer Relay Kit ^①	All Economizers	FS/200	1
BAYSTAT023	Remote Potentiometer	All Economizers	CK/001	1
BAYENTH001A	Enthalpy Control (Solid State) ^④	All Economizers	FS/200	2
BAYOSAH001A	0-25% Manual Fresh Air Damper ^{②⑤}	4WCY4024-036A	FS/200	6
BAYOSAH002A	0-25% Manual Fresh Air Damper ^{②⑤}	4WCY4048-060A	FS/200	8
BAYDMPR101A	Motorized Fresh Air Damper ^{②⑤}	4WCY4024-036A	FS	
BAYDMPR102A	Motorized Fresh Air Damper ^{②⑤}	4WCY4048-060A	FS	
BAYFLTR101A	1"-2" Filter Frame ^② (20x20 filter not included)	4WCY4024-036A	FS/200	6
BAYFLTR201A	1"-2" Filter Frame ^② (20x25,20x18 filters not included)	4WCY4048-060A	FS/200	6
BAYLOAM011A	Evaporator Defrost Control Kit	All WCY4	TY	5
BAYLOAM105A	Low Ambient Control Kit	All WCY4	FS/200	5
BAYQSTK300A	Quick Start Kit	All 4WCY4-A1		
BAYCCHT101A	Crankcase Heater - 230v - Recip	4WCY4024A1		
BAYCCHT102A	Crankcase Heater - 230v - Scroll	4WCY4036,048A1, 4WCY4036,048,060A3		
BAYSQRD001A	16" Round Duct Adapter (2 Per Box) ^⑨	4WCY4024-036A	FS/200	5
BAYSQRD002A	18" Round Duct Adapter (2 Per Box) ^⑨	4WCY4024-060A	FS/200	3
BAYADAP050A	Adapter Curb	4WCY4024-036A to BAYCURB030,38		
BAYADAP051A	Adapter Curb	4WCY4024-036A to BAYCURB033		
BAYADAP052A	Adapter Curb	4WCY4048-060A to BAYCURB030,38		
BAYADAP053A	Adapter Curb	4WCY4048-060A to BAYCURB033		
BAYADAP054A	Adapter Curb	4WCY4048-060A to BAYCURB034		
BAYUTIL101A	Roof Curb Utility Extention Kit	4WCY4024-036A		
BAYUTIL102A	Roof Curb Utility Extention Kit	4WCY4048-060A		
BAYCOVR112A	12" Duct Shroud Covers Horizontal ^⑩	4WCY4024-060A		
BAYCOVR118A	18" Duct Shroud Covers Horizontal ^⑩	4WCY4024-060A		
BAYEXMK001A	Extreme Condition Mounting Kit - All BAYCURB & BAYADAP			
BAYEXMK002A	Extreme Condition Mounting Kit - All BAYUTIL			
BAYEXMK003A	Extreme Condition Mounting Kit - All Slab Mounts			
BAYLIFT002B	Lifting Lug Kit	All 4WCY4	FS/200	5

① Relay required with economizer on all 4WCY4 models.

② Must use filter frame when economizer/fresh air kit is used.

③ Ships knocked down.

④ Dry bulb control standard with economizer.

⑤ Downflow Only.

⑥ Full perimeter curb for 4WCY4024-036A models.

⑦ Full perimeter curb for 4WCY4048-060A models.

⑧ 2-Stage thermostat provides additional energy savings if simultaneous economizer and compressor operation is expected.

⑨ It is the responsibility of the installing dealer to properly size the ductwork for each specific application.

⑩ BAYCOVR112,118A will not cover BAYSQRD002A applications



1-1/2 — 5 Ton
2/4WCC3018 - 060A

XB13c
Convertible Pkg.
Heat Pump

Specifications: XB13c — Single Phase R-22

Model Number	Power Supply	Capacity Cooling			Uncrated Dimensions(in.)			Mfg. Plant	Shipping Weight
		(BTUH)	SEER	HSPF	H	W	L		
2WCC3024A1000A	208/230/1/60	23,000	13.00	7.70	36	42	49	FS/200	453
2WCC3030A1000A	208/230/1/60	28,000	13.00	7.70	36	42	49	FS/200	454
2WCC3036A1000A	208/230/1/60	35,000	13.00	7.70	36	42	49	FS/200	468
2WCC3042A1000A	208/230/1/60	40,000	13.00	7.70	38	45	59	FS/200	529
2WCC3048A1000A	208/230/1/60	46,500	13.00	7.70	38	45	59	FS/200	553
2WCC3060A1000A	208/230/1/60	58,000	13.00	7.70	42	45	59	FS/200	623

Specifications: XB13c — Single Phase R-410A

Model Number	Power Supply	Capacity Cooling			Uncrated Dimensions(in.)			Mfg. Plant	Shipping Weight
		(BTUH)	SEER	HSPF	H	W	L		
4WCC3018A1000A	208/230/1/60	18,000	13.00	7.70	36	42	49	FS/200	444
4WCC3036A1000A	208/230/1/60	35,000	13.00	7.70	36	42	49	FS/200	468
4WCC3048A1000A	208/230/1/60	46,000	13.00	7.70	38	45	59	FS/200	553
4WCC3060A1000A	208/230/1/60	58,000	13.00	7.70	40	45	59	FS/200	618

Specifications: XB13c — Three Phase R-410A

Model Number	Power Supply	Capacity Cooling			Uncrated Dimensions(in.)			Mfg. Plant	Shipping Weight
		(BTUH)	SEER	HSPF	H	W	L		
4WCC3036A3000A	208/230/3/60	35,000	13.00	7.70	36	42	49	FS/200	468
4WCC3048A3000A	208/230/3/60	46,000	13.00	7.70	38	45	59	FS/200	553
4WCC3060A3000A	208/230/3/60	58,000	13.00	7.70	40	45	59	FS/200	618
4WCC3036A4000A	460/3/60	35,000	13.00	7.70	36	42	49	FS/200	468
4WCC3048A4000A	460/3/60	46,000	13.00	7.70	38	45	59	FS/200	553
4WCC3060A4000A	460/3/60	58,000	13.00	7.70	40	45	59	FS/200	618

Features:

- Architectural Louvers and Corner Guards for durable protection and extra safety
- Appliance Grade Finish of durable powder paint baked on both sides of every panel
- Weather Beater top contoured and reinforced for strength.
- Exclusive **Climatuff®** high efficiency compressor
- All Aluminum **Spine Fin™** outdoor coil
- Swept-blade Outdoor fan for quiet operation
- Composite **Vortica®** Blower uses less energy to provide more air with less sound
- Right-side electrical service access for high and low voltage connections
- Steeply sloped composite drain pan
- Shipped for horizontal application, easily convertible to downflow
- One electric heater family
- Optional filter rack kits fit inside the unit. Available for 1" or 2" media
- Heavy gauge steel cabinet with weather resistant, baked enamel finish
- Top discharge fan
- Low voltage polarized plug for easy electric heater installation
- Demand defrost control
- Refrigerant line filter drier
- Solenoid operated switchover valve
- Copper tube, aluminum fin indoor coil
- Non-bleed expansion valve on outdoor coil
- High efficiency outdoor fan motor with polarized plug
- Non-bleed expansion valve on indoor coil
- Water shed base
- UL Listed
- Direct drive multi-speed blower motor
- Compressor internal overload protection
- Protected pressure taps for refrigerant checks
- Standard cooling operation to 55°F as manufactured
- Low ambient cooling to 0°F with BAYLOAM105A
- **5-year compressor and other parts limited warranty (Residential Use Only)**
- **Optional extended warranties**



1-1/2 — 5 Ton
2/4WCC3018 - 060A

XB13c
Convertible Pkg.
Heat Pump

Supplementary Heaters: Separate power source /power entry required

Model Number	Description	Used With	Mfg. Plant	Shipping Weight
BAYHTRV105B	3.76/5.0 kW Heater (208/240V 1PH)	*WCC3018-060A1	FS/200	9
BAYHTRV110B	7.50/10.0 kW Heater (208/240V 1PH)	*WCC3024-060A1	FS/200	10
BAYHTRV115B	11.27/15.00 kW Heater (208/240V 1PH)	*WCC3030-060A1	FS/200	14
BAYHTRV120B	15.0/20.0 kW Heater (208/240V 1PH)	*WCC3048-060A1	FS/200	14
BAYHTRV125B	18.78/25.0 kW Heater (208/240V 1PH)	*WCC3060A1	FS/200	21
BAYHTRV305B	3.76/5.0 kW Heater (208/240V 3PH)	*WCC3018-060A3	FS/200	9
BAYHTRV310B	7.50/10.0 kW Heater (208/240V 3PH)	*WCC3024-060A3	FS/200	10
BAYHTRV315B	11.27/15.00 kW Heater (208/240V 3PH)	*WCC3030-060A3	FS/200	14
BAYHTRV320B	15.00/20.0 kW Heater (208/240V 3PH)	*WCC3048-060A3	FS/200	14
BAYHTRV325B	18.78/25.0 kW Heater (208/240V 3PH)	*WCC3060A3	FS/200	20
BAYHTRV405B	3.76/5.0 kW Heater (460V 3PH)	*WCC3018-060A4	FS/200	9
BAYHTRV410B	10.0 kW Heater (460V 3PH)	*WCC3024-060A4	FS/200	10
BAYHTRV415B	15.00 kW Heater (460V 3PH)	*WCC3030-060A4	FS/200	14
BAYHTRV420B	20.0 kW Heater (460V 3PH)	*WCC3048-060A4	FS/200	14
BAYHTRV425B	25.0 kW Heater (460V 3PH)	*WCC3060A4	FS/200	16

Single Power Entry Kit/Heater Matrix:

Single Power Entry Kit ^①	Heater Model	Unit Model	Mfg. Plant	Shipping Weight
BAYSPEK060B	BAYHTRV105B	2WCC3024-048A1 4WCC3018-036A1	FS/200	3
BAYSPEK061B	BAYHTRV305B BAYHTRV310B BAYHTRV315B BAYHTRV405B BAYHTRV410B BAYHTRV415B BAYHTRV420B	4WCC3036-060A3 4WCC3036-048A3 4WCC3036-060A3 4WCC3036-060A4 4WCC3036-060A4 4WCC3036-060A4 4WCC3036-048A4	FS/200	7
BAYSPEK062B	BAYHTRV105B BAYHTRV110B	4WCC3048-060A1 2WCC3060A1 2WCC3024-060A1 4WCC3048-060A1	FS/200	7
BAYSPEK063B	BAYHTRV115B BAYHTRV120B	2WCC3030-060A1 4WCC3036-060A1 2WCC3048-060A1 4WCC3048-060A1	FS/200	7
BAYSPEK064B	BAYHTRV315B BAYHTRV320B	4WCC3036-060A3 4WCC3048-060A3	FS/200	6
BAYSPEK065B	BAYHTRV310B	4WCC3060A3	FS/200	7

^①All necessary fuses are included in kit



1-1/2 — 5 Ton
2/4WCC3018 - 060A

XB13c
Convertible Pkg.
Heat Pump

Accessories:

Model Number	Description	Used With	Mfg. Plant	Shipping Weight
Extended Warranties – (1 yr - 5 yr - 10 yr – See Extended Warranty Section)				
Controls	See Comfort Controls Section			
BAYCURB050A	Roof Curb (Flat Roof) ^{③⑥}	*WCC3018-036A	FS/200	74
BAYCURB051A	Roof Curb (Flat Roof) ^{③⑦}	*WCC3042-060A	FS/200	74
BAYECON101A	0-100% Mod. Economizer w/Baro. Relief ^{①②④⑤⑧}	*WCC3018-036A	FS/200	50
BAYECON102A	0-100% Mod. Economizer w/Baro. Relief ^{①②④⑤⑧}	*WCC3042-060A	FS/200	65
BAYECON200A	0-100% Mod. Econ. - Horizontal ^{①②④⑧}	*WCC3018-036A	FS/200	85
BAYECON201A	0-100% Mod. Econ. - Horizontal ^{①②④⑧}	*WCC3042-060A	FS/200	85
BAYRLAY004A	Economizer Relay Kit ^①	All Economizers	FS/200	1
BAYSTAT023	Remote Potentiometer	All Economizers	CK/001	1
BAYENTH001A	Enthalpy Control (Solid State) ^④	All Economizers	FS/200	2
BAYOSAH001A	0-25% Manual Fresh Air Damper ^{②⑤}	*WCC3018-036A	FS/200	6
BAYOSAH002A	0-25% Manual Fresh Air Damper ^{②⑤}	*WCC3042-060A	FS/200	8
BAYDMPR101A	Motorized Fresh Air Damper ^{②⑤}	*WCC3018-036A	FS	
BAYDMPR102A	Motorized Fresh Air Damper ^{②⑤}	*WCC3042-060A	FS	
BAYFLTR101A	1"-2" Filter Frame ^② (20x25 filter not included)	*WCC3018-036A	FS/200	6
BAYFLTR201A	1"-2" Filter Frame ^② (20x20,20x18 filters not included)	*WCC3042-060A	FS/200	6
BAYLOAM011A	Evaporator Defrost Control Kit	All *WCC3	TY	5
BAYLOAM105A	Low Ambient Control Kit	All *WCC3	FS/200	5
BAYQSTK300A	Quick Start Kit	All 2/4WCC-A1		
BAYCCHT101A	Crankcase Heater - 230v - Recip	2WCC3024,30,48A1, 4WCC3018A1		
BAYCCHT102A	Crankcase Heater - 230v - Scroll	2WCC3036,42A1, 4WCC3036,48,60A1/3		
BAYCCHT404B	Crankcase Heater - 460v - Scroll	4WCC30306,48,60A4		
BAYSQRD001A	16" Round Duct Adapter (2 Per Box) ^⑨	*WCC3018-036A	FS/200	5
BAYSQRD002A	18" Round Duct Adapter (2 Per Box) ^⑨	*WCC3018-060A	FS/200	3
BAYADAP050A	Adapter Curb	*WCC3018-036A to BAYCURB030,38		
BAYADAP051A	Adapter Curb	*WCC3018-036A to BAYCURB033		
BAYADAP052A	Adapter Curb	*WCC3042-060A to BAYCURB030,38		
BAYADAP053A	Adapter Curb	*WCC3042-060A to BAYCURB033		
BAYADAP054A	Adapter Curb	*WCC3042-060A to BAYCURB034		
BAYUTIL101A	Roof Curb Utility Extension Kit	*WCC3018-036A		
BAYUTIL102A	Roof Curb Utility Extension Kit	*WCC3042-060A		
BAYCOVR112A	12" Duct Shroud Covers Horizontal ^⑩	*WCC3018-060A		
BAYCOVR118A	18" Duct Shroud Covers Horizontal ^⑩	*WCC3018-060A		
BAYEXMK001A	Extreme Condition Mounting Kit - All BAYCURB & BAYADAP			
BAYEXMK002A	Extreme Condition Mounting Kit - All BAYUTIL			
BAYEXMK003A	Extreme Condition Mounting Kit - All Slab Mounts			
BAYLIFT002B	Lifting Lug Kit	All *WCC3	FS/200	5

- ① Relay required with economizer on all 2/4WC*3 models.
- ② Must use filter frame when economizer/fresh air kit is used.
- ③ Ships knocked down.
- ④ Dry bulb control standard with economizer.
- ⑤ Downflow Only.
- ⑥ Full perimeter curb for 2/4WCC3018-036A models.
- ⑦ Full perimeter curb for 2/4WCC3042-060A models.
- ⑧ 2-Stage thermostat provides additional energy savings if simultaneous economizer and compressor operation is expected.
- ⑨ It is the responsibility of the installing dealer to properly size the ductwork for each specific application.
- ⑩ BAYCOVR112,118A will not cover BAYSQRD002A applications



1-1/2 — 5 Ton
2/4WCX3018 - 060A

XL13c
Convertible Pkg.
Heat Pump

Specifications: XL13c — Single Phase R-22

Model Number	Power Supply	Capacity Cooling			Uncrated Dimensions(in.)			Mfg. Plant	Shipping Weight
		(BTUH)	SEER	HSPF	H	W	L		
2WCX3024A1000A	208/230/1/60	23,200	13.45	7.90	36	43	51	FS/200	453
2WCX3030A1000A	208/230/1/60	29,400	13.05	8.40	36	43	51	FS/200	454
2WCX3036A1000A	208/230/1/60	37,200	13.20	8.00	36	43	51	FS/200	468
2WCX3042A1000A	208/230/1/60	40,000	13.10	8.25	38	46	61	FS/200	529
2WCX3048A1000A	208/230/1/60	47,000	13.30	7.95	38	46	61	FS/200	553
2WCX3060A1000A	208/230/1/60	58,500	13.35	8.30	42	46	61	FS/200	623

Specifications: XL13c — Single Phase R-410A

Model Number	Power Supply	Capacity Cooling			Uncrated Dimensions(in.)			Mfg. Plant	Shipping Weight
		(BTUH)	SEER	HSPF	H	W	L		
4WCX3018A1000A	208/230/1/60	18,600	13.15	7.70	36	43	51	FS/200	444
4WCX3036A1000A	208/230/1/60	36,200	13.20	7.75	36	43	51	FS/200	468
4WCX3048A1000A	208/230/1/60	46,000	13.15	8.25	38	46	61	FS/200	553
4WCX3060A1000A	208/230/1/60	59,500	13.05	7.85	40	46	61	FS/200	618

Specifications: XL13c — Three Phase R-410A

Model Number	Power Supply	Capacity Cooling			Uncrated Dimensions(in.)			Mfg. Plant	Shipping Weight
		(BTUH)	SEER	HSPF	H	W	L		
4WCX3036A3000A	208/230/3/60	36,200	13.20	7.75	36	43	51	FS/200	468
4WCX3048A3000A	208/230/3/60	46,600	13.15	8.25	38	46	61	FS/200	553
4WCX3060A3000A	208/230/3/60	59,500	13.05	7.85	40	46	61	FS/200	618
4WCX3036A4000A	460/3/60	36,200	13.20	7.75	36	43	51	FS/200	468
4WCX3048A4000A	460/3/60	46,000	13.15	8.25	38	46	61	FS/200	553
4WCX3060A4000A	460/3/60	59,500	13.05	7.85	40	46	61	FS/200	618

Features:

- Architectural Louvers and Corner Guards for durable protection and extra safety
- Appliance Grade Finish of durable powder paint baked on both sides of every panel
- Weather Beater top contoured and reinforced for strength
- Exclusive **Climatuff®** high efficiency compressor
- All Aluminum **Spine Fin™** outdoor coil
- Swept-blade Outdoor fan for quiet operation
- Composite **Vortica®** Blower uses less energy to provide more air with less sound
- Right-side electrical service access for high and low voltage connections
- Steeply sloped composite drain pan
- Shipped for horizontal application, easily convertible to downflow
- One electric heater family
- Optional filter rack kits fit inside the unit. Available for 1" or 2" media
- Low voltage polarized plug for easy electric heater installation
- Demand defrost control
- Refrigerant line filter drier
- Solenoid operated switchover valve
- Copper tube, aluminum fin indoor coil
- Non-bleed expansion valve on outdoor coil
- High efficiency outdoor fan motor with polarized plug
- Non-bleed expansion valve on indoor coil
- Water shed base
- UL Listed
- Direct drive multi-speed blower motor
- Compressor internal overload protection
- Protected pressure taps for refrigerant checks
- Standard cooling operation to 55°F as manufactured
- Low ambient cooling to 0°F with BAYLOAM105A
- **10-year limited compressor and outdoor coil warranty, 5-year other parts single phase (Residential Use Only)**
- **Optional extended warranties**



1-1/2 — 5 Ton
2/4WCX3018 - 060A

XL13c
Convertible Pkg.
Heat Pump

Supplementary Heaters: Separate power source /power entry required

Model Number	Description	Used With	Mfg. Plant	Shipping Weight
BAYHTRV105B	3.76/5.0 kW Heater (208/240V 1PH)	*WCX3018-060A1	FS/200	9
BAYHTRV110B	7.50/10.0 kW Heater (208/240V 1PH)	*WCX3024-060A1	FS/200	10
BAYHTRV115B	11.27/15.00 kW Heater (208/240V 1PH)	*WCX3030-060A1	FS/200	14
BAYHTRV120B	15.0/20.0 kW Heater (208/240V 1PH)	*WCX3048-060A1	FS/200	14
BAYHTRV125B	18.78/25.0 kW Heater (208/240V 1PH)	*WCX3060A1	FS/200	21
BAYHTRV305B	3.76/5.0 kW Heater (208/240V 3PH)	*WCX3018-060A3	FS/200	9
BAYHTRV310B	7.50/10.0 kW Heater (208/240V 3PH)	*WCX3024-060A3	FS/200	10
BAYHTRV315B	11.27/15.00 kW Heater (208/240V 3PH)	*WCX3030-060A3	FS/200	14
BAYHTRV320B	15.00/20.0 kW Heater (208/240V 3PH)	*WCX3048-060A3	FS/200	14
BAYHTRV325B	18.78/25.0 kW Heater (208/240V 3PH)	*WCX3060A3	FS/200	20
BAYHTRV405B	3.76/5.0 kW Heater (460V 3PH)	*WCX3018-060A4	FS/200	9
BAYHTRV410B	10.0 kW Heater (460V 3PH)	*WCX3024-060A4	FS/200	10
BAYHTRV415B	15.00 kW Heater (460V 3PH)	*WCX3030-060A4	FS/200	14
BAYHTRV420B	20.0 kW Heater (460V 3PH)	*WCX3048-060A4	FS/200	14
BAYHTRV425B	25.0 kW Heater (460V 3PH)	*WCX3060A4	FS/200	16

Single Power Entry Kit/Heater Matrix:

Single Power Entry Kit ^①	Heater Model	Unit Model	Mfg. Plant	Shipping Weight
BAYSPEK060B	BAYHTRV105B	2WCX3024-048A1 4WCX3018-036A1	FS/200	3
BAYSPEK061B	BAYHTRV305B BAYHTRV310B BAYHTRV315B BAYHTRV405B BAYHTRV410B BAYHTRV415B BAYHTRV420B	4WCX3036-060A3 4WCX3036-048A3 4WCX3036-060A3 4WCX3036-060A4 4WCX3036-060A4 4WCX3036-060A4 4WCX3036-048A4	FS/200	7
BAYSPEK062B	BAYHTRV105B BAYHTRV110B	4WCX3048-060A1 2WCX3060A1 2WCX3024-060A1 4WCX3048-060A1	FS/200	7
BAYSPEK063B	BAYHTRV115B BAYHTRV120B	2WCX3030-060A1 4WCX3036-060A1 2WCX3048-060A1 4WCX3048-060A1	FS/200	7
BAYSPEK064B	BAYHTRV315B BAYHTRV320B	4WCX3036-060A3 4WCX3048-060A3	FS/200	6
BAYSPEK065B	BAYHTRV310B	4WCX3060A3	FS/200	7

^①All necessary fuses are included in kit



1-1/2 — 5 Ton
2/4WCX3018 - 060A

XL13c
Convertible Pkg.
Heat Pump

Accessories:

Model Number	Description	Used With	Mfg. Plant	Shipping Weight
Extended Warranties – (1 yr - 5 yr - 10 yr – See Extended Warranty Section)				
Controls	See Comfort Controls Section			
BAYCURB050A	Roof Curb (Flat Roof) ^{③⑥}	*WCX3018-036A	FS/200	74
BAYCURB051A	Roof Curb (Flat Roof) ^{③⑦}	*WCX3042-060A	FS/200	74
BAYECON101A	0-100% Mod. Economizer w/Baro. Relief ^{①②④⑤⑧}	*WCX3018-036A	FS/200	50
BAYECON102A	0-100% Mod. Economizer w/Baro. Relief ^{①②④⑤⑧}	*WCX3042-060A	FS/200	65
BAYECON200A	0-100% Mod. Econ. - Horizontal ^{①②④⑧}	*WCX3018-036A	FS/200	85
BAYECON201A	0-100% Mod. Econ. - Horizontal ^{①②④⑧}	*WCX3042-060A	FS/200	85
BAYRLAY004A	Economizer Relay Kit ^①	All Economizers	FS/200	1
BAYSTAT023	Remote Potentiometer	All Economizers	CK/001	1
BAYENTH001A	Enthalpy Control (Solid State) ^④	All Economizers	FS/200	2
BAYOSAH001A	0-25% Manual Fresh Air Damper ^{②⑤}	*WCX3018-036A	FS/200	6
BAYOSAH002A	0-25% Manual Fresh Air Damper ^{②⑤}	*WCX3042-060A	FS/200	8
BAYDMPR101A	Motorized Fresh Air Damper ^{②⑤}	*WCX3018-036A	FS	
BAYDMPR102A	Motorized Fresh Air Damper ^{②⑤}	*WCX3042-060A	FS	
BAYFLTR101A	1"-2" Filter Frame ^② (20x25 filter not included)	*WCX3018-036A	FS/200	6
BAYFLTR201A	1"-2" Filter Frame ^② (20x20,20x18 filters not included)	*WCX3042-060A	FS/200	6
BAYLOAM011A	Evaporator Defrost Control Kit	All *WCX3	TY	5
BAYLOAM105A	Low Ambient Control Kit	All *WCX3	FS/200	5
BAYQSTK300A	Quick Start Kit	All 2/4WCX-A1		
BAYCCHT101A	Crankcase Heater - 230v - Recip	2WCX3024,30,48A1, 4WCX3018A1		
BAYCCHT102A	Crankcase Heater - 230v - Scroll	2WCX3036,42A1, 4WCX3036,48,60A1/3		
BAYCCHT404B	Crankcase Heater - 460v - Scroll	4WCX30306,48,60A4		
BAYSQRD001A	16" Round Duct Adapter (2 Per Box) ^⑨	*WCX3018-036A	FS/200	5
BAYSQRD002A	18" Round Duct Adapter (2 Per Box) ^⑨	*WCX3018-060A	FS/200	3
BAYADAP050A	Adapter Curb	*WCX3018-036A to BAYCURB030,38		
BAYADAP051A	Adapter Curb	*WCX3018-036A to BAYCURB033		
BAYADAP052A	Adapter Curb	*WCX3042-060A to BAYCURB030,38		
BAYADAP053A	Adapter Curb	*WCX3042-060A to BAYCURB033		
BAYADAP054A	Adapter Curb	*WCX3042-060A to BAYCURB034		
BAYUTIL101A	Roof Curb Utility Extension Kit	*WCX3018-036A		
BAYUTIL102A	Roof Curb Utility Extension Kit	*WCX3042-060A		
BAYCOVR112A	12" Duct Shroud Covers Horizontal ^⑩	*WCX3018-060A		
BAYCOVR118A	18" Duct Shroud Covers Horizontal ^⑩	*WCX3018-060A		
BAYEXMK001A	Extreme Condition Mounting Kit - All BAYCURB & BAYADAP			
BAYEXMK002A	Extreme Condition Mounting Kit - All BAYUTIL			
BAYEXMK003A	Extreme Condition Mounting Kit - All Slab Mounts			
BAYLIFT002B	Lifting Lug Kit	All *WCX3	FS/200	5

- ① Relay required with economizer on all 2/4WCX3 models.
- ② Must use filter frame when economizer/fresh air kit is used.
- ③ Ships knocked down.
- ④ Dry bulb control standard with economizer.
- ⑤ Downflow Only.
- ⑥ Full perimeter curb for 2/4WCX3018-036A models.
- ⑦ Full perimeter curb for 2/4WCX3042-060A models.
- ⑧ 2-Stage thermostat provides additional energy savings if simultaneous economizer and compressor operation is expected.
- ⑨ It is the responsibility of the installing dealer to properly size the ductwork for each specific application.
- ⑩ BAYCOVR112,118A will not cover BAYSQRD002A applications



2 — 3-1/2 Ton WCK024 - 042B

13 SEER Packaged Weathertron® Heat Pump

Specifications: XR13m Horizontal Round Duct - Single Phase

Model Number	Power Supply	Capacity Cooling (BTUH)	SEER	EER	Uncrated Dimensions(in.)			Mfg. Plant	Shipping Weight
					H	W	L		
WCK024B100A	208/230/1/60	26,000	13.00	11.50	31	32	44	FS/200	345
WCK030B100A	208/230/1/60	30,600	13.00	12.60	31	32	44	FS/200	345
WCK036B100A	208/230/1/60	36,000	13.00	11.80	31	32	44	FS/200	355
WCK042B100A	208/230/1/60	40,000	13.00	11.45	31	32	44	FS/200	360

Supplementary Heaters: Separate power source/power entry or Single Power Source

Model Number	Description	Used With	Mfg. Plant	Shipping Weight
BAYHTRK105A	3.74/4.98 kW Heater (208/240)	WCK024-42A1	FS/200	9
BAYHTRK110A	7.47/9.96 kW Heater (208/240)	WCK030-42A1	FS/200	10
BAYHTRK111A	7.47/9.96 kW Heater (208/240)	WCK024 Only	FS/200	10
BAYHTRK116A ^①	11.18/14.94 kW Heater (208/240)	WCK036-42A1	FS/200	10

① This model has a fuse box factory provided.

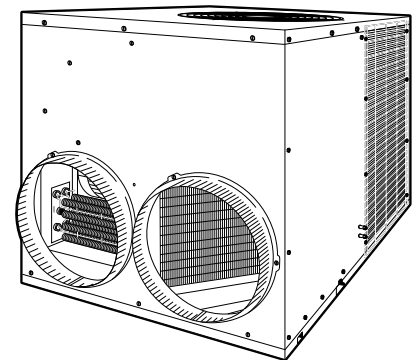
Accessories:

Model Number	Description	Used With	Mfg. Plant	Shipping Weight
Extended Warranties	(See Extended Warranty Section)			
BAYSTAT033A	Outdoor Thermostat	All WCK Models	TY	4
TAYASCT501A1	5-7 Minute Delay Relay	All WCK Models	TY	2
BAYLOAM011A	Low Ambient Cooling Kit	All WCK Models	FS/200	5
BAYASCT0011	Anti-Short [®] ycle Timer	All WCK Models	FS/200	1

① Not for use with programmable thermostats.

Features:

- **Climatuff®** compressor
- Compressor motor overload protection
- Energy Saving Demand Defrost control system
- Copper tube, aluminum fin coils
- Shaft-down outdoor fan system for quiet operation
- Steeply sloped composite drain pan eliminates standing water
- Waterproof closed-cell foam evaporator base insulation
- Weather resistant powder paint
- Powder painted base pan
- 14" round duct connections included
- Wrap-around vinyl-coated wire coil guards
- Extra quiet operation
- Non-bleed thermal expansion valves
- External pressure taps for refrigerant checks
- Polarized plug for easy field connection of low voltage to supplementary heaters
- Low ambient cooling to 45° F as manufactured
- Low ambient cooling to 0° F with accessory BAYLOAM011A
- UL listed
- **5-year limited warranty on compressor, and 5-year on all other parts (Residential Use Only)**
- **Optional extended warranties**





3, 5 Ton WCZ036, 060F

XL/XE 1600 Convertible Pkg. Heat Pump

Specifications: XL 1600 — Single Phase

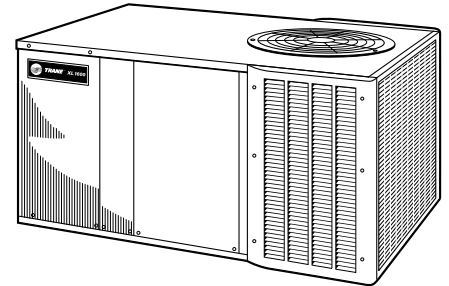
Model Number	Power Supply	Capacity Cooling (BTUH)	SEER	HSPF	Uncrated Dimensions(in.)			Mfg. Plant	Shipping Weight
					H	W	L		
WCZ036F100C	208/230/1/60	36,000	15.60	7.70	29	36	64	FS/200	588
WCZ060F100B	208/230/1/60	58,000	15.05	8.10	33	45	65	FS/200	679

Specifications: XE 1600 — 3 Phase

WCZ036F300C	208/230/3/60	36,000	15.60	7.70	29	36	64	FS/200	588
WCZ060F300B	208/230/3/60	58,000	15.05	8.10	33	45	65	FS/200	679

Features:

- Industry's **highest efficiency** -- **15+ SEER**
- **Coil-Sav'R Lexan®** wrap-around grille
- **Powder paint and Weatherguard™ screws** for a quality appearance that lasts
- **Impact Plus™** cabinet enhancement
- **Acousti-Curb** for rooftop applications
- Exclusive **dual Climatuff®** high efficiency compressors
- Exclusive **Comfort-R™** enhanced comfort setting
- Exclusive **Water-Shed** no leak one piece base pan
- **Duratuff™** outdoor plate fin coil
- Demand defrost system
- One electric heater family (WCZ, WCY, WCC, TCY, TCC)
- Polarized plug for easy heater installation
- Refrigerant line filter drier
- Ships for horizontal application; easily convertible to downflow
- Exclusive **trim ring** on top discharge fan grille
- Optional **In-Filter™** filter rack fits inside unit
- Expansion valves on outdoor and indoor coil
- High efficiency outdoor fan motor with polarized plug
- UL listed
- Crankcase heater
- Compressor IOL protection
- Standard operation to 55°F
- Low ambient cooling to 0°F with accessories
- **10-year limited compressor and outdoor coil warranty, 5-years on other parts (Residential Use Single Phase Only)**
- **Optional extended warranties**





3, 5 Ton WCZ036, 060F

XL/XE 1600 Convertible Pkg. Heat Pump

Comfort Controls:

Model Number	Description	Used With	Mfg. Plant	Shipping Weight
TAYSTAT500C	XL802 Prog. 3-Htg/2Clg	WCZ-F Models	TY	1
BAY28X190	Locking Thermostat Cover	Thermostats	TY	1
BAYSTAT253A	Humidity Control	WCZ-F Models	TY	1
TCONT802AS32DA	XL802 Prog., 7Day, 3Htg/2Clg	All Cooling / Heat Pump	TY	1
BAYSEN02ATEMPA	Outdoor Temperature Sensor	TCONT800A,802A,803A	TY	1
ZZSENSAL0800AA	Indoor Temperature Sensor	TCONT800A,802A,803A	TY	1
BAYCOVR600AA	Wall Cover Plate XL800,2,3	TCONT800A,802A,803A	TY	1
TCONT602AFA22MA	XL602 Prog., 5/1/1Day, 2Htg/2Clg	All Cooling/Heat Pump	TY	1
BAYCOVR700AA	Wall Cover Plate XL600,2	TCONT600A,602A	TY	1
TCONT402AN32DA	Electronic, 3 Htg/2 Clg (Non Prog.)	All Cooling/Heat Pump	TY	1
ZZSENSAL0400AA	Indoor Temperature Sensor	TCONT402AN32DA	TY	1
BAYSEN01ATEMPA	Outdoor Temp. Sensor	TCONT401,402	TY	1
BAYSTAT033A	Outdoor Thermostat	Packaged Models	TY	4

Accessories:

Model Number	Description	Used With	Mfg. Plant	Shipping Weight
Extended Warranties - (1 yr - 5 yr - 10 yr - See Extended Warranty Section)				
BAYCURB033A	Roof Curb (Flat Roof)ⓐ Acousti-Curb	WCZ036F	FS/200	88
BAYCURB034A	Roof Curb (Flat Roof)ⓐ Acousti-Curb	WCZ060F	FS/200	100
BAYINDK002A**	Insulated Deck Pan for C Cabinet	BAYCURB033A	FS/200	28
BAYINDK003A***	Insulated Deck Pan for D Cabinet	BAYCURB034A	FS/200	30
BAYECON054B	0-100% Mod. Economizer w/Baro.Relief①②④⑤⑦	WCZ036F	FS/200	50
BAYECON055B	0-100% Mod. Economizer w/Baro.Relief①②④⑤⑦	WCZ060F	FS/200	65
BAYECON073A	0-100% Mod. Econ. - Horizontal①②⑦	WCZ-F Models	FS/200	85
BAYSTAT023	Remote Potentiometer	All Economizers	CK/001	1
BAYENTH001A	Enthalpy Control (Solid State)②	WCZ-F Models	FS/200	2
BAYOSAC001A	Outside Air Controller	WCZ-F Models	FS/200	-
BAYRLAY004A	Economizer Relay Kit⑤	WCZ-F Models	FS/200	1
BAYDMPR040A	0-25% Manual Fresh Air Damper①	WCZ036F	FS/200	6
BAYDMPR041A	0-25% Manual Fresh Air Damper①	WCZ060F	FS/200	8
BAYFLTR013A	Filter Frame① (20x25x1" filter not included)	WCZ036F	FS/200	6
BAYFLTR014A	Filter Frame① (3-10x24x1" filters not included)	WCZ060F	FS/200	9
BAYFLTR018A	Filter Frame① (1-20x25x2" filter not included)	WCZ036F	FS/200	6
BAYFLTR019A	Filter Frame① (2-16x25x2" filters not included)	WCZ060F	FS/200	9
BAYLOAM011A	Evaporator Defrost Control Kit	WCZ-F Models	TY	5
BAYDUCT004A	12" Round Duct Adapter (2 Per Box)⑥	WCZ036F	FS/200	5
BAYDUCT005A	14" Round Duct Adapter (1 Per Box)⑥	WCZ036F	FS/200	3
BAYLIFT002B	Lifting Lug Kit	WCZ-F Models	FS/200	5
BAYASCT001	Anti-Short Cycle Timer⑧	WCZ-F Models	FS/200	1

① Must use filter frame when economizer/fresh air kit is used.

② Dry bulb control standard with economizer.

③ Ships knocked down.

④ Downflow Only.

⑤ Relay required with economizer on WCY-Z models.

⑥ It is the responsibility of the installing dealer to properly size the ductwork for each specific application.

⑦ For low ambient applications, use this controller.

⑧ Do not use with programmable thermostats.

** Currently shipped with BAYCURB033A

*** Currently shipped with BAYCURB034A



3 — 5 Ton WCZ036, 060F

Convertible Packaged Heat Pump

Supplementary Heaters: Separate power source/power entry required

Model Number	Description	Used With	Mfg. Plant	Shipping Weight
BAYHTRN105A	3.74/4.98 kW Heater (208/240V 1PH)	WCZ036-042F1	FS/200	9
BAYHTRN108A	5.76/7.68 kW Heater (208/240V 1PH)	WCZ036-042F1	FS/200	10
BAYHTRN110A	7.47/9.96 kW Heater (208/240V 1PH)	WCZ036-060F1	FS/200	10
BAYHTRN112A	8.65/11.52 kW Heater (208/240V 1PH)	WCZ036-060F1	FS/200	10
BAYHTRN115A	11.21/14.94 kW Heater (208/240V 1PH)	WCZ036-060F1	FS/200	14
BAYHTRN117A	12.98/17.28 kW Heater (208/240V 1PH)	WCZ036-060F1	FS/200	14
BAYHTRN123A	17.2/23.04 kW Heater (208/240V 1PH)	WCZ060F1	FS/200	15
BAYHTRN306A	4.89/6.25 kW Heater (208/240V 3PH)	WCZ036-060F3	FS/200	9
BAYHTRN310A	7.45/9.96 kW Heater (208/240V 3PH)	WCZ036-060F3	FS/200	9
BAYHTRN310F	7.45/9.96 kW Heater (208/240V 3PH)	WCZ036-060F3	FS/200	9
BAYHTRN315A	11.25/14.90 kW Heater (208/240V 3PH)	WCZ036-060F3	FS/200	10
BAYHTRN320A	14.96/19.92 kW Heater (208/240V 3PH)	WCZ036-060F3	FS/200	10
BAYHTRN330A	22.41/29.80 kW Heater (208/240V 3PH)	WCZ060F3	FS/200	12

Single Power Entry Kit/Heater Matrix

Single Power Entry Kit ^①	Heater Model	Unit Model	Mfg. Plant	Shipping Weight
BAYSPEK047A	BAYHTRN105A BAYHTRN310A/F	WCZ036F1 WCZ036F3	FS/200	3
BAYSPEK048A	BAYHTRN115A BAYHTRN117A	WCZ036F1 WCZ036F1	FS/200	6
BAYSPEK049A	BAYHTRN108A BAYHTRN110A BAYHTRN112A	WCZ036F1 WCZ036F1 WCZ036F1	FS/200	7
BAYSPEK050A	BAYHTRN330A	WCZ060F3	FS/200	7
BAYSPEK051A	BAYHTRN310A/F BAYHTRN315A BAYHTRN320A	WCZ060F3 WCZ036,060F3 WCZ060F3	FS/200	7
BAYSPEK052A	BAYHTRN115A BAYHTRN117A BAYHTRN123A	WCZ060F1 WCZ060F1 WCZ060F1	FS/200	9
BAYSPEK053A	BAYHTRN110A BAYHTRN112A	WCZ060F1 WCZ060F1	FS/200	9

^① All necessary fuses are included in kit



2 — 5 Ton
 WCH024 - 042C
 WCH048 - 60F1

**XE 1300
 Over/Under Pkg.
 Weathertron®
 Heat Pump**

Specifications: XE 1300 Over/Under — Single Phase

Model Number	Power Supply	Capacity Cooling (BTUH)	SEER	HSPF	Uncrated Dimensions(in.)			Mfg. Plant	Shipping Weight
					H	W	L		
WCH024C100A	208/230/1/60	25,000	13.00	7.70	30	32	44	FS/200	329
WCH030C100A	208/230/1/60	29,400	13.50	7.70	30	32	44	FS/200	330
WCH036C100A	208/230/1/60	36,000	13.50	7.70	30	32	44	FS/200	345
WCH042C100A	208/230/1/60	40,500	13.00	7.70	30	32	44	FS/200	359
WCH048F100A	208/230/1/60	49,000	13.50	8.00	33	45	58	FS/200	521
WCH060F100A	208/230/1/60	60,000	13.00	8.20	33	45	58	FS/200	529

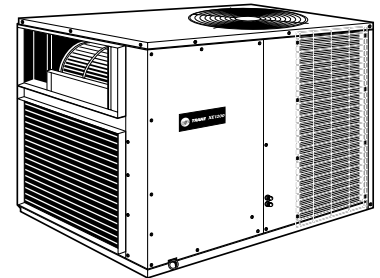
Supplementary Heaters: Separate power source/power entry required

Model Number	Description	Used With	Mfg. Plant	Shipping Weight
BAYHTRC106A	4.33/5.76 KW Heater (208/240)	WCH024-060C/F1	FS/200	9
BAYHTRC109A	6.12/8.16 KW Heater (208/240)	WCH036-042C1,048-060F1	FS/200	10
BAYHTRC110A	7.93/10.56 KW Heater (208/240)	WCH048F1 only	FS/200	10
BAYHTRC111A	7.93/10.56 KW Heater (208/240)	WCH024-042C1,060F1	FS/200	10
BAYHTRC117A	12.98 /17.28 KW Heater (208/240)①	WCH030-060C/F1	FS/200	23

① This model has a fuse box factory provided.

Features:

- Climatuff® compressor
- Compressor sump heat
- Compressor internal overload protection
- Solenoid operated switchover valve
- Demand defrost control system
- Factory installed coil guard
- Multi-speed direct drive blower motor
- Variable speed direct drive blower motor on WCH042C, WCH048-060F models
- Weather resistant Powder Paint
- Copper tube, aluminum fin coils
- Top discharge condensing fan
- Indoor fan relay
- Wrap-around coil guard
- Top access to supplementary heater
- Over (supply) under (return) air
- Expansion valves
- Pressure taps for refrigerant checks
- Polarized plug for easy field connection of low voltage to supplementary heaters
- Low ambient cooling to 45°F as manufactured
- Low ambient cooling to 0°F with accessory BAYLOAM011A
- UL listed
- 5-year limited warranty on compressor and 5-year on all other parts (Residential Use Only)
- Optional extended warranties





2 — 3-1/2 Ton
WCH024 - 042B

**XE 1300
Over/Under Pkg.
Weathertron®
Heat Pump**

Accessories:

Model Number	Description	Used With	Mfg. Plant	Shipping Weight
Extended Warranties	(1 yr - 5 yr - 10 yr - See Extended Warranty Section)			
Controls	(See Control Section)			
TAYASCT501A ^①	5 Minute Delay Relay	All WCH Models	TY	2
BAYLOAM011A	Low Ambient Cooling Kit	All WCH Models	FS/200	5
BAYASCT001 ^①	Anti-Short Cycle Timer	All WCH Models	FS/200	1

^① Not for use with programmable thermostats.



Model Nomenclature

Precedent™ Packaged Heat Pumps

W S C 036 A 3 R B A ** C 0 0 0 A 1 0 0 0 0 A 0
 1 2 3 4,5,6 7 8 9 10 11 12,13 14 15 16 17 18 19 20 21 22 23 24 25

DIGIT 1 - Unit Function

W = Packaged Heat Pump

DIGIT 2 - Efficiency

S = Standard Efficiency

DIGIT 3 - Airflow

C = Convertible

DIGITS 4,5,6 - Nominal Gross Cooling Capacity (MBh)

036 = 3 Ton
 048 = 4 Ton
 060 = 5 Ton
 072 = 6 Ton
 090 = 7.5 Ton
 120 = 10 Ton

DIGIT 7 - Major Design Sequence

A = First

DIGIT 8 - Unit Voltage

3 = 208-230/60/3
 4 = 460/60/3
 W = 575/60/3

DIGIT 9 - Unit Controls

R = ReliaTel™ Micro-processor

DIGIT 10 - Electric Heater

0 = No Electric Heater
 B = 6 kw (3 phase)
 E = 12 kw (3 phase)
 G = 18 kw (3 phase)
 J = 23 kw (3 phase)
 K = 27 kw (3 phase)
 N = 36 kw (3 phase)
 P = 54 kw (3 phase)

DIGIT 11 - Minor Design Sequence

A = First Sequence

DIGIT 12,13 - Service Sequence

** = Factory Assigned

DIGIT 14 - Fresh Air Selection

0 = No Fresh Air
 A = Manual Outside Air Damper 0-50%
 B = Motorized Outside Air Damper 0-50%
 C = Economizer, Dry Bulb 0-100% without Barometric Relief
 D = Economizer, Dry Bulb 0-100% with Barometric Relief
 E = Economizer, Reference Enthalpy 0-100% without Barometric Relief
 F = Economizer, Reference Enthalpy 0-100% with Barometric Relief
 G = Economizer, Comparative Enthalpy 0-100% without Barometric Relief
 H = Economizer, Comparative Enthalpy 0-100% with Barometric Relief

DIGIT 15 - Supply Fan/Drive Type/Motor

0 = Standard Drive
 1 = Oversized Motor
 2 = Optional Belt Drive Motor

DIGIT 16 - Hinged Service Access & Pleated Filters

0 = Standard Panels & Filters
 A = Hinged Access Panels & Standard Filters
 B = Standard Panels & 2" Pleated Filters
 C = Hinged Access Panels & 2" Pleated Filters

DIGIT 17 - Condenser Coil Protection

0 = Standard Coil
 1 = Standard Coil with Hail Guard
 2 = Epoxy Coated Condenser Coil
 3 = Epoxy Coated Condenser Coil with Hail Guard

DIGIT 18 - Through the Base Provisions

0 = No Through the Base Provisions
 A = Through the Base Electric

DIGIT 19 - Disconnect/Circuit Breaker/Phase Monitor (3 phase only)

0 = No Disconnect or Circuit Breaker
 1 = Non-Fused Disconnect
 2 = Circuit Breaker
 3 = Phase Monitor
 4 = Phase Monitor & Non-Fused Disconnect Switch
 5 = Phase Monitor & Circuit Breaker

DIGIT 20 - Convenience Outlet

0 = No Convenience Outlet
 A = Unpowered Convenience Outlet
 B = Powered Convenience Outlet (3 phase only)

DIGIT 21 - Communications Options

0 = No Communications Interface
 1 = Comm-3/4 Trane Communications Interface
 2 = LonTalk Communications Interface

DIGIT 22 - Refrigeration System Option

0 = Standard Refrigeration System

DIGIT 23 - Refrigeration Controls

0 = No Refrigeration Control
 1 = High Pressure Control
 2 = Froststat
 3 = Crankcase Heater
 4 = High Pressure Control and Froststat
 5 = High Pressure Control and Crankcase Heater
 6 = Froststat and Crankcase Heater
 7 = High Pressure Control, Froststat and Crankcase Heater

DIGIT 24 - Smoke Detector

0 = No Smoke Detector
 A = Return Air Smoke Detector
 B = Supply Air Smoke Detector
 C = Supply and Return Air Smoke Detectors

DIGIT 25 - Monitoring Controls

0 = No Monitoring Control
 1 = Clogged Filter Switch
 2 = Fan Failure Switch
 3 = Discharge Air Sensing Tube
 4 = Clogged Filter Switch and Fan Fail Switch
 5 = Clogged Filter Switch and Discharge Air Sensing Tube
 6 = Fan Fail Switch and Discharge Air Sensing Tube
 7 = Clogged Filter and Fan Fail Switches and Discharge Air Sensing Tube

Example:

Model number WSC036A3RBA**C000A10001A0 describes a unit with the following characteristics: Packaged Heat Pump, 3 ton nominal cooling capacity, 208-230/60/3 power supply, ReliaTel™ controls, 6 kw electric heater model. 0-100% dry bulb economizer without barometric relief, standard direct drive motor, standard access panels and filters, standard condenser coil with no coil protection, through the base electric access, non-fused disconnect, no convenience outlet or communications interface, standard refrigeration coil, no refrigeration control, return air smoke detector, and clogged filter switch.



3 — 10 Ton WSC036 - 120A

Precedent™ Packaged Heat Pumps

Table 1 — Main Assembly — Standard Efficiency (Digits 1-8)

Model Number	Power Supply	Gross Capacity Cooling (BTUH)	SEER ^①	Uncrated Dimensions (in.)			Mfg. Plant	Shipping Weight
				H	W	L		
WSC036A3	208-230/60/3	38,100	10.2	32	43	69	LH	496
WSC048A3	208-230/60/3	50,800	10.5	32	43	69	LH	528
WSC060A3	208-230/60/3	63,100	10.1	36	43	69	LH	546
WSC072A3	208-230/60/3	72,000	10.1	41	53	89	LH	859
WSC090A3	208-230/60/3	92,000	10.1	41	53	89	LH	881
WSC120A3	208-230/60/3	119,000	10.1	46	53	89	LH	1028
WSC036A4	460/60/3	38,100	10.2	32	43	69	LH	425
WSC048A4	460/60/3	50,800	10.5	32	43	69	LH	460
WSC060A4	460/60/3	63,100	10.1	36	43	69	LH	482
WSC072A4	460/60/3	72,000	10.1	41	53	89	LH	859
WSC090A4	460/60/3	92,000	10.1	41	53	89	LH	881
WSC120A4	460/60/3	119,000	10.1	46	53	89	LH	1028
WSC036AW	575/60/3	38,100	10.2	36	43	69	LH	425
WSC048AW	575/60/3	50,800	10.5	36	43	69	LH	460
WSC060AW	575/60/3	63,100	10.1	36	43	69	LH	482
WSC072AW	575/60/3	72,000	10.1	41	53	89	LH	859
WSC090AW	575/60/3	92,000	10.1	41	53	89	LH	881
WSC120AW	575/60/3	119,000	10.1	46	53	89	LH	1028

① 6-10 Ton is EER

Table 2 — Unit Controls (Digit 9)

Tons	ReliaTel™ (R)
3	
4	
5	
6	
7.5	
10	



3 — 10 Ton WSC036 - 120A

Precedent™ Packaged Heat Pumps

Table 3 — Electric Heaters (Digit 10)

KW Rating	Select Digit	Power Supply	Nominal BTUH	No. of Stages	Used With
4.5/6.0	(B)	208/240/60/3	13,400/20,500	1	WSC036-060A3
9.0/12.0	(E)	208/240/60/3	30,800/59,400	2	WSC036-060A3
13.1/17.4	(G)	208/240/60/3	44,600/59,400	2	WSC036-060A3
17.3/23.0	(J)	208/240/60/3	58,900/78,500	2	WSC060A3
6.0	(B)	460/60/3	20,500	1	WSC036-060A4
12.0	(E)	460/60/3	41,000	2	WSC036-060A4
17.4	(G)	460/60/3	59,400	2	WSC036-060A4
23.0	(J)	460/60/3	78,500	2	WSC060A4
6.0	(B)	575/60/3	20,500	1	WSC036-060AW
12.0	(E)	575/60/3	41,000	2	WSC036-060AW
17.4	(G)	575/60/3	59,400	2	WSC036-060AW
23.0	(J)	575/60/3	78,500	2	WSC060AW

Table 3 — Electric Heaters 6 -10 Tons (Digit 10) - Continued

KW Rating	Select Digit	Power Supply	Nominal BTUH	No. of Stages	Used With
6.75/9.0	(C)	208/240/60/3	23,000/30,700	1	W*C072-090A3
13.5/18.0	(G)	208/240/60/3	46,100/61,400	1	W*C072-120A3
20.3/27.0	(K)	208/240/60/3	69,000/92,100	2	W*C072-120A3
27.0/36.0	(N)	208/240/60/3	92,200/122,900	2	W*C072-120A3
40.5/54.0	(P)	208/240/60/3	138,200/184,300	2	W*C120A3
9.0	(C)	460/60/3	30,700	1	W*C072-090A4
18.0	(G)	460/60/3	61,400	1	W*C072-120A4
27.0	(K)	460/60/3	92,100	2	W*C072-120A4
36.0	(N)	460/60/3	122,900	2	W*C072-120A4
54.0	(P)	460/60/3	184,300	2	W*C120A4
9.0	(C)	575/60/3	30,700	1	W*C072-090AW
18.0	(G)	575/60/3	61,400	1	W*C072-120AW
27.0	(K)	575/60/3	92,100	2	W*C072-120AW
36.0	(N)	575/60/3	122,900	2	W*C072-120AW
54.0	(P)	575/60/3	184,300	2	W*C120AW



3 — 10 Ton
WSC036 - 120A

**Precedent™
Packaged
Heat Pumps**

Table 4 — Fresh Air Selection (Digit 14)

Tons	0-50% ^② Manual OA Damper (A)	0-50% Motorized OA Damper (B)	0-100% ^① Economizer Dry Bulb without Barometric Relief (C)	0-100% ^① Economizer Dry Bulb with Barometric Relief (D)
3				
4				
5				
6				
7.5				
10				

Table 4 — (Continued) Fresh Air Selection (Digit 14)

Tons	0-100% ^① Economizer Reference Enthaply without Barometric Relief (E)	0-100% ^① Economizer Reference Enthaply with Barometric Relief (F)	0-100% ^① Economizer Comparative Enthaply without Barometric Relief (G)	0-100% ^① Economizer Comparative Enthaply With Barometric Relief (H)
3				
4				
5				
6				
7.5				
10				

① Economizer with Barometric Relief is for downflow configured units only. Order Economizer without Barometric Relief for horizontal configuration. Barometric relief for horizontal configured units must be ordered as field installed accessory BAYBARM010A. (Page PR-HP-11)

② The Manual Outside Air Damper will ship factory supplied (field installed) within the unit. The option will no longer be factory installed.

Table 5 — Supply Fan Drive Type/Motor (Digit 15)

Tons	Standard ^② Motor (0)	Oversized ^③ Motor (1)	Optional ^① Belt Drive Motor (2)
3	\$ Included		
4	\$ Included		
5	\$ Included		
6	\$ Included		—
7.5	\$ Included		—
10	\$ Included		—

① Available for 3 phase 3-5 ton models only.

② Standard motor in 3-5 ton models is direct drive. Standard motor in 6-10 ton models is belt drive.

③ Oversized Motor for 3-5 ton models is direct drive. Oversized motor in 6-10 ton models is belt drive.

Table 6 — Hinged Service Access & Filters^① (Digit 16)

Tons	Standard Panels & Filters (0)	Hinged Access Panels & Standard Filters (A)	Standard Panels & 2" Pleated Filters (B)	Hinged Access Panels & 2" Pleated Filters (C)
3	\$ Included			
4	\$ Included			
5	\$ Included			
6	\$ Included			
7.5	\$ Included			
10	\$ Included			

① 3-5 tons have standard 1" throwaway filters. 6-10 tons have standard 2" throwaway filters.



3 — 10Ton
WSC036 - 120A

**Precedent™
Packaged
Heat Pumps**

Table 7 — Condenser Coil Protection (Digit 17)

Tons	Standard Coil (0)	Standard Coil with Hail Guard (1)	Epoxy Coated Condenser Coil (2)	Epoxy Coated Condenser Coil with Hail Guard (3)
3	\$ Included			
4	\$ Included			
5	\$ Included			
6	\$ Included			
7.5	\$ Included			
10	\$ Included			

Table 8 — Through the Base Provisions (Digit 18)

Tons	Through the Base Electric (A)
3	
4	
5	
6	
7.5	
10	

Table 9 — Disconnect/Circuit Breaker/Phase Monitor^{①②③④} (Digit 19)

Tons	Unit Mounted Non-Fused Disconnect Switch (1)	Unit Mounted Circuit Breaker (2)	Phase Monitor (3)	Phase Monitor & Non-Fused Disconnect Switch (4)	Phase Monitor & Circuit Breaker (5)
3					
4					
5					
6					
7.5					
10					

- ① Disconnect/Circuit Breaker/Phase Monitor is available for 3 phase models only.
- ② Must order Through the Base option when ordering disconnect or Breaker.
- ③ Phase Monitor is available with ReliaTel™ models only.
- ④ Phase monitor will be standard on W_C060A3,4,W (three phase).

Table 10 — Convenience Outlet (Digit 20)

Tons	Unpowered Convenience Outlet (A)	Powered ^{①②} Convenience Outlet (B)
3		
4		
5		
6		
7.5		
10		

- ① Powered Convenience Outlet Option is available for 3 phase models only.
- ② Requires use of Disconnect or Circuit Breaker.



3 — 10Ton
WSC036 - 120A

**Precedent™
Packaged
Heat Pumps**

Table 11 — Communications Options (Digit 21)

Tons	Comm-3/4	
	Trane Communications Interface (1)	LonTalk Communications Interface (2)
3		
4		
5		
6		
7.5		
10		

Table 12 — Refrigeration System Control (Digit 22)

Tons	Standard ^① Refrigeration System Control (0)
3	\$ Included
4	\$ Included
5	\$ Included
6	\$ Included
7.5	\$ Included
10	\$ Included

^① Standard Refrigeration Metering Device - Thermal Expansion Valve (Outdoor Coil), Short Orifice (Indoor Coil).

Table 13 — Refrigeration Controls (Digit 23)

Tons	High Pressure Control ^{①③} (1)	Frostat (2)	Crankcase ^② Heater (3)	High Pressure Control ^{①③} and Frostat (4)	High Pressure Control ^{①③} and Crankcase Heater ^② (5)
3					
4					
5					
6	N/A				
7.5	N/A				
10	N/A				

Table 13 — (Continued) Refrigeration Controls (Digit 23)

Tons	Frostat and Crankcase Heater ^② (6)	High Pressure Control ^{①③} , Frostat and Crankcase Heater ^② (7)
3		
4		
5		
6		
7.5		
10		

^① High Pressure Control is standard on 3-phase units with scroll compressors and on WSC036A.

^② Crankcase heater is standard on WSC036A.

^③ High Pressure Control is standard on all three-phase models.



3 — 10Ton
WSC036 - 120A

**Precedent™
Packaged
Heat Pumps**

Table 14 — Smoke Detector (Digit 24)^{①②}

Tons	Return Air Smoke Detector (A)	Supply Air Smoke Detector (B)	Supply and Return Air Smoke Detector (C)
3			
4			
5			
6			
7.5			
10			

① Cannot be used with BAYFRST001A High Temperature Stat accessory.

② The return air smoke detector may not fit up or work properly on the Precedent units when used in conjunction with 3rd party accessories (such as bolt on heat wheels, economizers, and power exhaust). Do not order the return air smoke detectors when using this type of accessory.

Table 15 — Monitoring Controls (Digit 25)

Tons	Clogged Filter Switch (1)	Fan Failure Switch (2)	Discharge Air Sensing Tube ^① (3)	Clogged Filter Switch and Fan Fail Switch (4)
3				
4				
5				
6				
7.5				
10				

Table 15 — (Continued) Monitoring Controls (Digit 25)

Tons	Clogged Filter Switch and Discharge Air Sensing Tube ^① (5)	Fan Fail Switch and Discharge Air Sensing Tube ^① (6)	Clogged Filter and Fan Fail Switches and Discharge Air Sensing Tube ^① (7)
3			
4			
5			
6			
7.5			
10			

① Combination of Discharge Air Sensing option, Economizer option and Tracer Summit or Tracker, Version 10 requires use of Tracer™ LCI-R Communications Interface. For jobs requiring true discharge air sensing with Tracer/Tracker COMM-3 or COMM-4, contact Clarksville Light Commercial Marketing Support.



3 — 5 Ton
WSC036 - 060A

**Precedent™
Packaged
Heat Pumps**

Accessory Electric Heaters: Unit with heater is single circuit / single point power entry

Model Number	Power Supply	KW Rating	Nominal BTUH	No. of Stages	Used With	Mfg. Plant	Shipping Weight
BAYHTRR306A	208/240/60/3	4.5/6.0	13,400/ 20,500	1	WSC036-060A3	SH	20
BAYHTRR312A	208/240/60/3	9.0/12.0	30,800/ 41,000	2	WSC036-060A3	SH	20
BAYHTRR318A	208/240/60/3	13.0/17.4	44,600/ 59,400	2	WSC036-060A3	SH	20
BAYHTRR323A	208/240/60/3	17.3/23.0	58,900/ 78,500	2	WSC060A3	SH	20
BAYHTRR406A	460/60/3	6.0	20,500	1	WSC036-060A4	SH	20
BAYHTRR412A	460/60/3	12.0	41,000	2	WSC036-060A4	SH	20
BAYHTRR418A	460/60/3	17.4	59,400	2	WSC036-060A4	SH	20
BAYHTRR423A	460/60/3	23.0	78,500	2	WSC060A4	SH	20
BAYHTRRW06A	575/60/3	6.0	20,500	1	WSC036-060AW	SH	20
BAYHTRRW12A	575/60/3	12.0	41,000	2	WSC036-060AW	SH	20
BAYHTRRW18A	575/60/3	17.4	59,400	2	WSC036-060AW	SH	20
BAYHTRRW23A	575/60/3	23.0	78,500	2	WSC060AW	SH	20



6 — 10Ton WSC072 - 120A

Precedent™ Packaged Heat Pumps

Accessory Electric Heaters 6-10 Tons: Unit with heater is single circuit / single point power entry

Model Number	Power Supply	KW Rating	Nominal BTUH	No. of Stages	Used With	Mfg. Plant	Shipping Weight
BAYHTRS309A	208/240/60/3	6.75/9.0	23,000/ 30,700	1	WSC072-090A3	SH	26
BAYHTRS318A	208/240/60/3	13.5/18.0	46,100/ 61,400	1	WSC072-090A3	SH	28
BAYHTRT318A	208/240/60/3	13.5/18.0	46,100/ 61,400	1	WSC120A3	SH	28
BAYHTRS327A	208/240/60/3	20.3/27.0	69,000/ 92,100	2	WSC072-090A3	SH	26
BAYHTRT327A	208/240/60/3	20.3/27.0	69,000/ 92,100	2	WSC120A3	SH	26
BAYHTRS336A	208/240/60/3	27.0/36.0	92,200/ 122,900	2	WSC072-090A3	SH	31
BAYHTRT336A	208/240/60/3	27.0/36.0	92,200/ 122,900	2	WSC120A3	SH	31
BAYHTRT354A	208/240/60/3	40.4/54.0	138,200/ 184,300	2	WSC120A3	SH	38
BAYHTRS409A	460/60/3	9.0	30,700	1	WSC072-090A4	SH	26
BAYHTRS418A	460/60/3	18.0	61,400	1	WSC072-090A4	SH	28
BAYHTRT418A	460/60/3	18.0	61,400	1	WSC120A4	SH	28
BAYHTRS427A	460/60/3	27.0	92,100	2	WSC072-090A4	SH	26
BAYHTRT427A	460/60/3	27.0	92,100	2	WSC120A4	SH	26
BAYHTRS436A	460/60/3	36.0	122,900	2	WSC072-090A4	SH	31
BAYHTRT436A	460/60/3	36.0	122,900	2	WSC120A4	SH	31
BAYHTRT454A	460/60/3	54.0	184,300	2	WSC120A4	SH	38
BAYHTRSW09A	575/60/3	9.0	30,700	1	WSC072-090AW	SH	26
BAYHTRSW18A	575/60/3	18.0	61,400	1	WSC072-090AW	SH	28
BAYHTRTW18A	575/60/3	18.0	61,400	1	WSC120AW	SH	28
BAYHTRSW27A	575/60/3	27.0	92,100	2	WSC072-090AW	SH	26
BAYHTRTW27A	575/60/3	27.0	92,100	2	WSC120AW	SH	26
BAYHTRSW36A	575/60/3	36.0	122,900	2	WSC072-090AW	SH	31
BAYHTRTW36A	575/60/3	36.0	122,900	2	WSC120AW	SH	31
BAYHTRTW54A	575/60/3	54.0	184,300	2	WSC120AW	SH	38



3 — 10 Ton WSC036 - 120A

Precedent™ Packaged Heat Pumps

Accessories:

Model Number	Description	Used With	Mfg. Plant	Shipping Weight
BAYCURB042A ^①	Roof Curb	WSC036-060A	LH	80
BAYCURB043A ^①	Roof Curb	WSC072-120A	LH	115
BAYQACB009A ^①	Quick Adapt Roof Curb ^{②④}	WSC036-060A ^②	LH	100
BAYQACB010A ^①	Quick Adapt Roof Curb ^{②④}	WSC036-060A ^②	LH	120
BAYQACB011A ^①	Quick Adapt Roof Curb ^{③④}	WSC036-120A ^③	LH	125
BAYQACB012A ^①	Quick Adapt Roof Curb ^{③④}	WSC036-120A ^③	LH	150
BAYECON085A	0-100% Economizer without Barometric Relief	WSC036-060A	LH	40
BAYECON087A	0-100% Economizer without Barometric Relief	WSC072-120A	LH	36
BAYDMPR051A	0-50% Motorized Outside Air Damper	WSC036-060A	LH	30
BAYDMPR054A	0-50% Motorized Outside Air Damper	WSC072-120A	LH	30
BAYDMPR053B	0-50% Manual Outside Air Damper	WSC036-060A	LH	25
BAYDMPR056B	0-50% Manual Outside Air Damper	WSC072-120A	LH	26
BAYGARD036B	Tool-less Condenser Coil Hail Guard	WSC036-060A	LH	10
BAYGARD040B	Tool-less Condenser Coil Hail Guard	WSC072,090A	LH	20
BAYGARD041B	Tool-less Condenser Coil Hail Guard	WSC120A3	LH	20
BAYHSMT073A	.45HP Direct Drive Oversized Motor	WSC036A3	LH	25
BAYHSMT074A	.45HP Direct Drive Oversized Motor	WSC036A4	LH	25
BAYHSMT075A	.45HP Direct Drive Oversized Motor	WSC036AW	LH	25
BAYHSMT076A	.75HP Direct Drive Oversized Motor	WSC048A3	LH	30
BAYHSMT077A	.75HP Direct Drive Oversized Motor	WSC048A4	LH	30
BAYHSMT078A	.75HP Direct Drive Oversized Motor	WSC048AW	LH	30
BAYHSMT079A	1.2HP Direct Drive Oversized Motor	WSC060A3	LH	45
BAYHSMT080A	1.2HP Direct Drive Oversized Motor	WSC060A4	LH	45
BAYHSMT081A	1.2HP Direct Drive Oversized Motor	WSC060AW	LH	45

^① Lynn Haven manufacturing has a no return policy for this roof curb.

^② BAYQACB009A adapts Voyager BAYCURB021 roof curb to accept Precedent 3-5 ton unit. BAYQACB010A adapts Voyager BAYCURB022 roof curb to accept Precedent 3-5 ton unit.

^③ BAYQACB011A adapts Voyager BAYCURB022B to accept Precedent 6-10 ton unit. BAYQACB012A adapts Voyager BAYCURB025 roof curb to accept Precedent 6-10 ton unit.

^④ TCD036A, TCD048A, TCD060A, WCD036A, WCD048A, WCD060A are not Voyager units. These units were manufactured in Ft. Smith, AR and will not fit any Voyager curbs.



3 — 10 Ton WSC036 - 120A

Precedent™ Packaged Heat Pumps

Accessories:

Model Number	Description	Used With	Mfg. Plant	Shipping Weight
BAYHSMT082A	2 HP Belt Drive Oversized Motor	WSC072A3,A4	LH	8
BAYHSMT083A	2 HP Belt Drive Oversized Motor	WSC072AW	LH	8
BAYHSMT086A	3 HP Belt Drive Oversized Motor	WSC090A3,A4	LH	8
BAYHSMT087A	3 HP Belt Drive Oversized Motor	WSC090AW	LH	8
BAYHSMT090A	5 HP Belt Drive Oversized Motor	WSC120A3,A4	LH	8
BAYHSMT091A	5 HP Belt Drive Oversized Motor	WSC120AW	LH	8
BAYABRD001C	ReliaTel™ Options Module	See Note④	LH	1
BAYBARM010A③	Barometric Relief	WSC036-060A	LH	10
BAYBARM011A③	Barometric Relief	WSC072-120A	LH	10
BAYPWRX026A⑥	Power Exhaust	WSC072-120A3	LH	80
BAYPWRX027A⑥	Power Exhaust	WSC072-120A4	LH	80
BAYPWRX028A⑥	Power Exhaust	WSC072-120AW	LH	80
BAYCO2K001B	CO ₂ Sensor Kit, Wall Mounted	WSC036-120A*R	LH	3
BAYCO2K003B	CO ₂ Sensor Kit, Duct Mounted	WSC036-120A*R W/Econ. or Motorized OA Damper	LH	3.5
BAYCCHT010B③	Crankcase Heater	WSC036-072A3 WSC092-120A3	LH	2
BAYCCHT011B③	Crankcase Heater	WSC036-072A4,AW WSC092-120A4,AW	LH	2
BAYCCHT012A	Crankcase Heater	WSC090A3	LH	2
BAYCCHT013A	Crankcase Heater	WSC090A4	LH	2
BAYCCHT014A	Crankcase Heater	WSC090AW	LH	2
BAYSTAT023	Remote Potentiometer	BAYECON085A,087A	CK/001	1
BAYSERV001A	Selective Resistance Service Tester	WSC036-120A	LH	2
BAYSENS016A	Temperature Sensor	WSC036-120A	LH	1
BAYFRST001A⑤	High Temperature Stat	WSC036-120A	CK/001	2
BAYENTH005A①	Reference Enthalpy Kit	BAYECON085A,087A	LH	1
BAYENTH006B①	Comparative Enthalpy Kit	BAYECON085A,087A	LH	1
BAYDFPS003B④	Clogged Filter Switch	WSC036-120A	LH	1
BAYDFPS004A④	Fan Failure Switch	WSC036-120A	LH	1
BAYTUBE005A②④	Discharge Air Sensing Kit	WSC036-060A	LH	1
BAYTUBE007A②④	Discharge Air Sensing Kit	WSC072-120A	LH	1
BAYICSI003A⑥	Comm-3/4 Trane Communications Interface	WSC036-120A	LH	1
BAYLTCI002B⑦⑩	LonTalk Communications Interface	WSC036-120A	LH	1
BAYLOAM020B④	Evaporator Defrost Control (Frostat)	WSC036-120A	LH	3
BAYHSDR012A	High Static Drive Kit	WSC072A	LH	2
BAYVNOR001B	Ventilation Override Kit	WSC036-120A*R W/ReliaTel™ Options Module	LH	2.5

① Kits contain all necessary parts to achieve desired level of enthalpy control.

② Used for true discharge air sensing in both heating and cooling. Required for supply air tempering.

③ Barometric Relief accessory installs in ductwork for horizontal configuration. For downflow configuration, installs in the unit's horizontal return duct. See Installer's Guide for complete instructions.

④ BAYABRD001C is required when ordering field installed accessories Clogged Filter Switch (BAYDFPS003A), Fan Fail Switch (BAYDFPS004A), Discharge Air Sensing Kit (BAYTUBE004A or BAYTUBE005A) or Evaporator Defrost Control (Frostat) (BAYLOAM020B) unless the following options are factory installed: Frostat, Smoke Detector, Clogged Filter Switch, Fan Failure Switch, Discharge Air Sensing Kit. These factory installed options include the ReliaTel Options Module.

⑤ Cannot be used in conjunction with factory installed smoke detector.

⑥ Interface allows unit to communicate with Tracer 100, Tracker, VariTrac II, and is the preferred method of communication to Tracer Summit.

⑦ Interface allows unit to communicate as a Trane LonTalk device or directly with generic LonTalk Network BAS Controls.

⑧ Power Exhaust cannot be used with Barometric Relief. Order Economizer without Barometric Relief.

⑨ Quantity 2 required for WSC120A.

⑩ For use with ReliaTel™ controlled units only.



3 — 10 Ton WSC036 - 120A

Precedent™ Packaged Heat Pumps

Zone Sensors for ReliaTel™ Controlled Units:

Model Number	Description	Used with	Mfg. Plant	Shipping Weight
BAYSENS007B	Single Setpoint Manual Changeover	WSC036-120A	CK/001	1
BAYSENS009B	Dual Setpoint Manual or Auto Changeover	WSC036-120A	CK/001	1
BAYSENS011B	Dual Setpoint Man. or Auto Changeover with System Function Lights	WSC036-120A	CK/001	1
BAYSENS019C	Programmable Night Setback w/System Function Lights	WSC036-120A	CK/001	1
BAYSENS013C ^①	Room Sensor w/ Override and Cancel Buttons	WSC036-120A	CK/001	1
BAYSENS014C ^①	Room Sensor w/ Temp. Adjustment with Override and Cancel Buttons	WSC036-120A	CK/001	1
BAYSENS017B	Remote Room Sensor	BAYSENS007B, 009B, 011B, & 019C	CK/001	1
BAYSENS031A ^③	Digital Display Zone Sensor	WSC036-120A	CK/001	1
BAYSENS032A ^③	Dual Thermistor Remote Zone Sensor	WSC036-120A	CK/001	1
BAYSTAT050A	2Htg/2Clg Digital Display Programmable Thermostat	WSC036-120A	CK/001	1
BAYSTAT051A	1Htg/1Clg Digital Display Thermostat	WSC036-060A	CK/001	1
BAYSTAT052A	2Htg/2Clg Digital Display Programmable "TOUCHSCREEN" Thermostat	WSC036-120A	CK/001	1
BAYSTAT055A	3Htg/2Clg Digital Display Thermostat	WSC036-120A	CK/001	1
BAYSTAT059A	Return Air Remote Sensor	BAYSTAT050A,051A, 052A,053A	CK/001	1
BAYSTAT060A	Wall Mounted Remote Sensor	BAYSTAT050A,051A 052A,053A	CK/001	1
BAYMTPL003B	Retrofit Wall Cover Plate Kit 7.25" x 6.0"	BAYSENS019C	CK/001	1
BAYMTPL004B	Retrofit Wall Cover Plate Kit 4.75" x 4.75"	BAYSENS007,009, 011B,013,014C & 017B	CK/001	1

^① Used with Integrated Comfort™ Systems, any unit type. These sensors do not work with TCM. Consult BASD Marketing for them.

^② See Accessory IOM for operational characteristics.

^③ Functional only with ReliaTel™ controls.



Model Nomenclature

Precedent™ Packaged Heat Pumps R-410A

W S C 036 E 3 R B A ** C 0 0 0 A 1 0 0 0 1 A 1
1 2 3 4,5,6 7 8 9 10 11 12,13 14 15 16 17 18 19 20 21 22 23 24 25

DIGIT 1 - Unit Function

W = Packaged Heat Pump^①

DIGIT 2 - Efficiency

S = Standard Efficiency (13 SEER R-410A)

DIGIT 3 - Airflow

C = Convertible

DIGITS 4,5,6 - Nominal Gross Cooling Capacity (MBh)

036 = 3 Ton

046 = 4 Ton

060 = 5 Ton

DIGIT 7 - Major Design Sequence

E = R-410A Refrigerant

DIGIT 8 - Unit Voltage

1 = 208-230/60/1

3 = 208-230/60/3

4 = 460/60/3

W = 575/60/3

DIGIT 9 - Unit Controls

R = ReliaTel™ Microprocessor

DIGIT 10 - Heating Capacity

Note: (Applicable to Digit 1, W models only)

0 = No Electric Heat

A = 5 kW (1 phase)^①

B = 6 kW (3 phase)

C = 9 kW (3 phase)^②

D = 10 kW (1 phase)^①

E = 12 kW (3 phase)

F = 14 kW (1 phase)^①

G = 18 kW (1&3phase)

J = 23 kW (3 phase)

DIGIT 11 - Minor Design Sequence

A = First Sequence

DIGITS 12, 13 - Service Sequence

** = Factory Assigned

DIGIT 14 - Fresh Air Selection

0 = No Fresh Air

A = Manual Outside Air Damper 0-50%^③

B = Motorized Outside Air Damper 0-50%

C = Economizer, Dry Bulb 0-100% without Barometric Relief^④

D = Economizer, Dry Bulb 0-100% with Barometric Relief^④

E = Economizer, Reference Enthalpy 0-100% without Barometric Relief^{④⑤}

F = Economizer, Reference Enthalpy 0-100% with Barometric Relief^{④⑤}

G = Economizer, Comparative Enthalpy 0-100% without Barometric Relief^{④⑤}

H = Economizer, Comparative Enthalpy 0-100% with Barometric Relief^{④⑤}

DIGIT 15 - Supply Fan/Drive Type/Motor

0 = Standard Drive^⑥

DIGIT 16 - Hinged Service Access/Filters

0 = Standard Panels/Standard Filters

A = Hinged Access Panels/Standard Filters

B = Standard Panels/2" Pleated Filters

C = Hinged Access Panels/2" Pleated Filters

DIGIT 17 - Condenser Coil Protection

0 = Standard Coil

1 = Standard Coil with Hail Guard

2 = Epoxy Coated Condenser Coil

3 = Epoxy Coated Condenser Coil with Hail Guard

4 = CompleteCoat™ Condenser Coil

5 = CompleteCoat™ Condenser Coil with Hail Guard

DIGIT 18 - Through the Base Provisions

Note: (Applicable to Digit 1, W models only)

0 = No Through the Base Provisions

A = Through the Base Electric^⑦

DIGIT 19 - Disconnect/Circuit Breaker/Phase Monitor (3 phase only)

0 = No Disconnect/No Circuit Breaker/No Phase Monitor

1 = Unit Mounted Non-Fused Disconnect^⑧

2 = Unit Mounted Circuit Breaker^⑧

3 = Phase Monitor

4 = Phase Monitor & Non-Fused Disconnect Switch

5 = Phase Monitor & Circuit Breaker

DIGIT 20 - Convenience Outlet

0 = No Convenience Outlet

A = Unpowered Convenience Outlet

B = Powered Convenience Outlet (3 phase only)^⑨

DIGIT 21 - Communications Options^⑩

0 = No Communications Interface

1 = Trane Communications Interface

2 = LonTalk® Communications Interface

DIGIT 22 - Refrigeration System Option

0 = Standard Refrigeration Coil^⑪

DIGIT 23 - Refrigeration Controls

0 = No Refrigeration Control^⑫

1 = Froststat^⑬

2 = Crankcase Heater^⑭

3 = Froststat^⑬ and Crankcase Heater

DIGIT 24 - Smoke Detector^{⑮⑯}

0 = No Smoke Detector

A = Return Air Smoke Detector^{⑮⑯}

B = Supply Air Smoke Detector

C = Supply and Return Air Smoke Detectors^{⑮⑯}

DIGIT 25 - Monitoring Controls^⑰

0 = No Monitoring Control^⑰

1 = Clogged Filter Switch^⑰

2 = Fan Failure Switch^⑰

3 = Discharge Air Sensing Tube^⑰

4 = Clogged Filter Switch and Fan Fail Switch^⑰

5 = Clogged Filter Switch and Discharge Air Sensing Tube^⑰

6 = Fan Fail Switch and Discharge Air Sensing Tube^⑰

7 = Clogged Filter and Fan Fail Switches and Discharge Air Sensing Tube^⑰

8 = Novar Return Air Sensor^⑰

Explanation of Model Number Notes

1-17 follow. Unless otherwise

noted, feature available for all W models, tonnages and phases.

^① Available for R-410A units only.

^② Standard on 4 ton, 3 phase Heat Pumps and 5 ton Heat Pumps.

^③ Available for R-22 units only.

^④ Not available with electromechanical controls.

^⑤ Manual outside air damper will ship factory supplied within the unit, but must be field installed.

^⑥ High pressure control is standard on all units.

^⑦ Multispeed direct drive standard on 1 phase. Belt drive standard on 3 phase.

^⑧ Economizer with Barometric Relief is for downflow configured units only. Order Economizer without Barometric Relief for horizontal configuration. Barometric Relief for horizontal configured units must be ordered as field installed accessory.

^⑨ Through the base electric required when ordering disconnect/circuit breaker options.

^⑩ Requires use of Disconnect or Circuit Breaker.

^⑪ Standard metering devices are TXVs.

^⑫ Froststat cannot be field installed in electro-mechanical units.

^⑬ The return air smoke detector may not fit up or work properly on the Precedent units when used in conjunction with 3rd party accessories such as bolt on heat wheels, economizers and power exhaust. Do not order the return air smoke detectors when using this type of accessory.

^⑭ Return air smoke detector cannot be ordered with Novar Controls.

^⑮ These options are standard when ordering Novar Controls.

^⑯ This option is used when ordering Novar Controls.

^⑰ Not available with high temperature stat accessory.

Example:

Model number WSC036E3RBA**C000A10001A1 describes a unit with the following characteristics: DX Cooling, 3 ton nominal cooling capacity, 208-230/60/3 power supply, ReliaTel™ controls, 6 kW electric heater model. 0-100% dry bulb economizer without barometric relief, standard belt drive motor, standard access panels/filters, standard condenser coil with no coil protection, through the base electric, non-fused disconnect, no convenience outlet or communications interface, standard refrigeration coil, high pressure control, return air smoke detector, and clogged filter switch.



3 — 5 Ton WSC036 - 060E

Precedent™ Packaged Heat Pumps R-410A

Table 1 — Main Assembly — Standard Efficiency (Digits 1-8)

Model Number	Power Supply	Gross Capacity Cooling (BTUH)	SEER ^①	Uncrated Dimensions (in.)			Mfg. Plant	Shipping Weight
				H	W	L		
WSC036E1	208-230/1/60	38,100	13.0	36	43	69	LH	589
WSC048E1	208-230/1/60	50,800	13.0	36	43	69	LH	600
WSC060E1	208-230/1/60	63,100	13.0	41	53	89	LH	825
WSC036E3	208-230/3/60	38,100	13.0	36	43	69	LH	589
WSC048E3	208-230/3/60	50,800	13.0	36	43	69	LH	600
WSC060E3	208-230/3/60	63,100	13.0	41	53	89	LH	825
WSC036E4	460/3/60	38,100	13.0	36	43	69	LH	589
WSC048E4	460/3/60	50,800	13.0	36	43	69	LH	600
WSC060E4	460/3/60	63,100	13.0	41	53	89	LH	825
WSC036EW	575/3/60	38,100	13.0	36	43	69	LH	589
WSC048EW	575/3/60	50,800	13.0	36	43	69	LH	600
WSC060EW	575/3/60	63,100	13.0	41	53	89	LH	825

① 6-10 Ton is EER

Table 2 — Unit Controls (Digit 9)

Tons	ReliaTel™ (R)
3	
4	
5	
6	
7.5	
10	

Table 3 — Electric Heaters (Digit 10)

KW Rating	Select Digit	Power Supply	Nominal BTUH	No. of Stages	Used With
4.5/6.0	(B)	208/240/60/3	13,400/20,500	1	WSC036-060E3
9.0/12.0	(E)	208/240/60/3	30,800/59,400	2	WSC036-060E3
13.1/17.4	(G)	208/240/60/3	44,600/59,400	2	WSC036-060E3
17.3/23.0	(J)	208/240/60/3	58,900/78,500	2	WSC060E3
6.0	(B)	460/60/3	20,500	1	WSC036-060E4
12.0	(E)	460/60/3	41,000	2	WSC036-060E4
17.4	(G)	460/60/3	59,400	2	WSC036-060E4
23.0	(J)	460/60/3	78,500	2	WSC060E4
6.0	(B)	575/60/3	20,500	1	WSC036-060EW
12.0	(E)	575/60/3	41,000	2	WSC036-060EW
17.4	(G)	575/60/3	59,400	2	WSC036-060EW
23.0	(J)	575/60/3	78,500	2	WSC060EW



3 — 5 Ton
WSC036 - 060E

**Precedent™
Packaged
Heat Pumps
R-410A**

Table 4 — Fresh Air Selection (Digit 14)

Tons	0-50% ^② Manual OA Damper (A)	0-50% Motorized OA Damper (B)	0-100% ^① Economizer Dry Bulb without Barometric Relief (C)	0-100% ^① Economizer Dry Bulb with Barometric Relief (D)
3				
4				
5				

Table 4 — (Continued) Fresh Air Selection (Digit 14)

Tons	0-100% ^① Economizer Reference Enthaply without Barometric Relief (E)	0-100% ^① Economizer Reference Enthaply with Barometric Relief (F)	0-100% ^① Economizer Comparative Enthaply without Barometric Relief (G)	0-100% ^① Economizer Comparative Enthaply With Barometric Relief (H)
3				
4				
5				

① Economizer with Barometric Relief is for downflow configured units only. Order Economizer without Barometric Relief for horizontal configuration. Barometric relief for horizontal configured units must be ordered as field installed accessory BAYBARM010A. (Page PR-HP-11)

② The Manual Outside Air Damper will ship factory supplied (field installed) within the unit. The option will no longer be factory installed.

Table 5 — Supply Fan Drive Type/Motor (Digit 15)

Tons	Standard ^① Motor (0)
3	\$ Included
4	\$ Included
5	\$ Included

① Belt drive available for 3 phase 3-5 ton models only. Standard motor in 3-5 ton single phase models is direct drive.

Table 6 — Hinged Service Access & Filters^① (Digit 16)

Tons	Standard Panels & Filters (0)	Hinged Access Panels & Standard Filters (A)	Standard Panels & 2" Pleated Filters (B)	Hinged Access Panels & 2" Pleated Filters (C)
3	\$ Included			
4	\$ Included			
5	\$ Included			

① 3-4 tons have standard 1" throwaway filters.

② 5 ton have standard 2" throwaway filters.



3 — 5 Ton
WSC036 - 060E

**Precedent™
Packaged
Heat Pumps
R-410A**

Table 7 — Condenser Coil Protection (Digit 17)

Tons	Standard Coil (0)	Standard Coil with Hail Guard (1)	Epoxy Coated Condenser Coil (2)	Epoxy Coated Condenser Coil with Hail Guard (3)
3	\$ Included			
4	\$ Included			
5	\$ Included			

Table 7 — (Continued) Condenser Coil Protection (Digit 17)

Tons	CompleteCoat™ Condenser Coil (4)	CompleteCoat™ Condenser Coil with Hail Guard (5)
3		
4		
5		

Table 8 — Through the Base Provisions (Digit 18)

Tons	Through the Base Electric (A)
3	
4	
5	

Table 9 — Disconnect/Circuit Breaker/Phase Monitor^{①②③} (Digit 19)

Tons	Unit Mounted Non-Fused Disconnect Switch (1)	Unit Mounted Circuit Breaker (2)	Phase Monitor (3)	Phase Monitor & Non-Fused Disconnect Switch (4)	Phase Monitor & Circuit Breaker (5)
3					
4					
5					

- ① Disconnect/Circuit Breaker/Phase Monitor is available for 3 phase models only.
- ② Must order Through the Base option when ordering disconnect or Breaker.
- ③ Phase Monitor is available with ReliaTel™ models only.

Table 10 — Convenience Outlet (Digit 20)

Tons	Unpowered Convenience Outlet (A)	Powered ^{①②} Convenience Outlet (B)
3		
4		
5		

- ① Powered Convenience Outlet Option is available for 3 phase models only.
- ② Requires use of Disconnect or Circuit Breaker.

Table 11 — Communications Options (Digit 21)

Tons	Comm-3/4 Trane Communications Interface (1)	LonTalk Communications Interface (2)
3		
4		
5		



3 — 5 Ton
WSC036 - 060E

**Precedent™
Packaged
Heat Pumps
R-410A**

Table 12 — Refrigeration System Control (Digit 22)

Tons	Standard ^① Refrigeration System Control (0)
3	\$ Included
4	\$ Included
5	\$ Included

① Standard Refrigeration Metering Device - Thermal Expansion Valve (Outdoor & Indoor Coil).

Table 13 — Refrigeration Controls (Digit 23)

Tons	High Pressure Control ^①	Frostat (1)	Crankcase ^② Heater (2)	Frostat and Crankcase Heater ^② (3)
3				
4				
5				

① High Pressure Control is standard on all units.

② Crankcase heater is standard on WSC036E, 060E3,4,W.

Table 14 — Smoke Detector (Digit 24)^{①②}

Tons	Return Air Smoke Detector (A)	Supply Air Smoke Detector (B)	Supply and Return Air Smoke Detector (C)
3			
4			
5			

① Cannot be used with BAYFRST001A High Temperature Stat accessory.

② The return air smoke detector may not fit up or work properly on the Precedent units when used in conjunction with 3rd party accessories (such as bolt on heat wheels, economizers, and power exhaust). Do not order the return air smoke detectors when using this type of accessory.



3 — 5 Ton
WSC036 - 060E

**Precedent™
Packaged
Heat Pumps
R-410A**

Table 15 — Monitoring Controls (Digit 25)

Tons	Clogged Filter Switch (1)	Fan Failure Switch (2)	Discharge Air Sensing Tube [Ⓞ] (3)	Clogged Filter Switch and Fan Fail Switch (4)
3				
4				
5				

Table 15 — (Continued) Monitoring Controls (Digit 25)

Tons	Clogged Filter Switch and Discharge Air Sensing Tube [Ⓞ] (5)	Fan Fail Switch and Discharge Air Sensing Tube [Ⓞ] (6)	Clogged Filter and Fan Fail Switches and Discharge Air Sensing Tube [Ⓞ] (7)
3			
4			
5			

Ⓞ Combination of Discharge Air Sensing option, Economizer option and Tracer Summit or Tracker, Version 10 requires use of Tracer™ LCI-R Communications Interface. For jobs requiring true discharge air sensing with Tracer/Tracker COMM-3 or COMM-4, contact Clarksville Light Commercial Product Support.



3 — 5 Ton WSC036 - 060E

Precedent™ Packaged Heat Pumps R-410A

Accessory Electric Heaters: Unit with heater is single circuit / single point power entry

Model Number	Power Supply	KW Rating	Nominal BTUH	No. of Stages	Used With	Mfg. Plant	Shipping Weight
BAYHTREW105A	208/230/1/60	3.8/5.0	12,900/ 13,400	1	WSC036-060E1	SH	20
BAYHTREW110A	208/230/1/60	7.5/10.0	25,600/ 34,000	2	WSC036-060E1	SH	20
BAYHTREW114A	208/230/1/60	10.4/13.8	35,000/ 47,100	2	WSC036-060E1	SH	20
BAYHTREW118A	208/230/1/60	13.2/17.6	45,100/ 60,100	2	WSC048-060E1	SH	20
BAYHTRE306A	208/240/3/60	4.5/6.0	13,400/ 20,500	1	WSC036-048E3	SH	20
BAYHTRE312A	208/240/3/60	9.0/12.0	30,800/ 41,000	2	WSC036-048E3	SH	20
BAYHTRE318A	208/240/3/60	13.0/17.4	44,600/ 59,400	2	WSC036-048E3	SH	20
BAYHTRE406A	460/3/60	6.0	20,500	1	WSC036-048E4	SH	20
BAYHTRE412A	460/3/60	12.0	41,000	2	WSC036-048E4	SH	20
BAYHTRE418A	460/3/60	17.4	59,400	2	WSC036-048E4	SH	20
BAYHTREW06A	575/3/60	6.0	20,500	1	WSC036-048EW	SH	20
BAYHTREW12A	575/3/60	12.0	41,000	2	WSC036-048EW	SH	20
BAYHTREW18A	575/3/60	17.4	59,400	2	WSC036-048EW	SH	20

Accessory Electric Heaters: Unit with heater is single circuit/single point power entry (5 Ton Only)

Model Number	Power Supply	KW Rating	Nominal BTUH	No. of Stages	Used With	Mfg. Plant	Shipping Weight
BAYHTRX105A	208/240/1/60	5.0	13,400	1	WSC060E1	SH	28
BAYHTRX110A	208/240/1/60	9.0	30,800	2	WSC060E1	SH	28
BAYHTRX114A	208/240/1/60	13.0	44,600	2	WSC060E1	SH	28
BAYHTRX118A	208/240/1/60	18.0	59,400	2	WSC060E1	SH	28
BAYHTRX306A	208/240/1/60	6.0	20,500	1	WSC060E3	SH	28
BAYHTRX312A	208/240/3/60	12.0	41,000	2	WSC060E3	SH	28
BAYHTRX318A	208/240/3/60	18.0	59,400	2	WSC060E3	SH	28
BAYHTRX323A	208/240/3/60	23.0	78,500	2	WSC060E3	SH	28
BAYHTRX406A	460/3/60	6.0	20,500	1	WSC060E4	SH	28
BAYHTRX412A	460/3/60	12.0	41,000	2	WSC060E4	SH	28
BAYHTRX418A	460/3/60	18.0	59,400	2	WSC060E4	SH	28
BAYHTRX423A	460/3/60	23.0	78,500	2	WSC060E4	SH	28
BAYHTRXW06A	575/3/60	6.0	20,500	1	WSC060EW	SH	28
BAYHTRXW12A	575/3/60	12.0	41,000	2	WSC060EW	SH	28
BAYHTRXW18A	575/3/60	18.0	59,400	2	WSC060EW	SH	28
BAYHTRXW23A	575/3/60	23.0	78,500	2	WSC060EW	SH	28



3 — 5 Ton WSC036 - 060E

Precedent™ Packaged Heat Pumps R-410A

Accessories:

Model Number	Description	Used With	Mfg. Plant	Shipping Weight
BAYCURB042A①	Roof Curb	WSC036-048E	LH	80
BAYCURB043A①	Roof Curb	WSC060E	LH	115
BAYQACB009A①	Quick Adapt Roof Curb②④	WSC036-048E②	LH	100
BAYQACB010A①	Quick Adapt Roof Curb②④	WSC036-048E②	LH	120
BAYQACB011A①	Quick Adapt Roof Curb③④	WSC060E③	LH	125
BAYQACB012A①	Quick Adapt Roof Curb③④	WSC060E③	LH	150
BAYECON085A	0-100% Economizer without Barometric Relief	WSC036-048E	LH	40
BAYECON087A	0-100% Economizer without Barometric Relief	WSC060E	LH	36
BAYDMPR051A	0-50% Motorized Outside Air Damper	WSC036-048E	LH	30
BAYDMPR054A	0-50% Motorized Outside Air Damper	WSC060E	LH	30
BAYDMPR053B	0-50% Manual Outside Air Damper	WSC036-048E	LH	25
BAYDMPR056B	0-50% Manual Outside Air Damper	WSC060E	LH	26
BAYGARD036B	Tool-less Condenser Coil Hail Guard	WSC036-048E	LH	10
BAYGARD040A	Tool-less Condenser Coil Hail Guard	WSC060E	LH	20
BAYABRD001C	ReliaTel™ Options Module	See Note⑥	LH	1
BAYBARM010A⑦	Barometric Relief	WSC036-048E	LH	10
BAYBARM011A⑦	Barometric Relief	WSC060E	LH	10
BAYCO2K001B	CO ₂ Sensor Kit, Wall Mounted	WSC036-060E	LH	3
BAYCO2K003B	CO ₂ Sensor Kit, Duct Mounted	WSC036-060E W/Econ. or Motorized OA Damper	LH	3.5
BAYCCHT010B	Crankcase Heater	WSC036E3	LH	2
BAYCCHT011B	Crankcase Heater	WSC036E3,4,AW	LH	2
BAYSTAT023	Remote Potentiometer	BAYECON085A,087A	CK/001	1
BAYSERV001A	Selective Resistance Service Tester	WSC036-060E	LH	2
BAYSENS016A	Temperature Sensor	WSC036-060E	LH	1
BAYFRST001A⑧	High Temperature Stat	WSC036-060E	CK/001	2
BAYENTH005A⑤	Reference Enthalpy Kit	BAYECON085A,087A	LH	1
BAYENTH006B⑤	Comparative Enthalpy Kit	BAYECON085A,087A	LH	1
BAYDFPS003B⑨	Clogged Filter Switch	WSC036-060E	LH	1
BAYDFPS004A⑨	Fan Failure Switch	WSC036-060E	LH	1
BAYTUBE005A⑩⑪	Discharge Air Sensing Kit	WSC036-048E	LH	1
BAYTUBE007A⑩⑪	Discharge Air Sensing Kit	WSC060E	LH	1
BAYICSI003A⑫	Comm-3/4 Trane Communications Interface	WSC036-060E	LH	1
BAYLTCI002B⑬⑭	LonTalk Communications Interface	WSC036-060E	LH	1
BAYLOAM020B⑮	Evaporator Defrost Control (Frostat)	WSC036-060E	LH	3
BAYVNOR001B	Ventilation Override Kit	WSC036-060E W/ReliaTel™ Options Module	LH	2.5

- ① Lynn Haven manufacturing has a no return policy for this roof curb.
- ② BAYQACB009A adapts Voyager BAYCURB021 roof curb to accept Precedent 3-4 ton unit. BAYQACB010A adapts Voyager BAYCURB022 roof curb to accept Precedent 3-4 ton unit.
- ③ BAYQACB011A adapts Voyager BAYCURB022B to accept Precedent 5 ton unit. BAYQACB012A adapts Voyager BAYCURB025 roof curb to accept Precedent 5 ton unit.
- ④ TCD036A, TCD048A, TCD060A, WCD036A, WCD048A, WCD060A are not Voyager units. These units were manufactured in Ft. Smith, AR and will not fit any Voyager curbs.
- ⑤ Kits contain all necessary parts to achieve desired level of enthalpy control.

- ⑥ Used for true discharge air sensing in both heating and cooling. Required for supply air tempering.
- ⑦ Barometric Relief accessory installs in ductwork for horizontal configuration. For downflow configuration, installs in the unit's horizontal return duct. See Installer's Guide for complete instructions.
- ⑧ BAYABRD001C is required when ordering field installed accessories Clogged Filter Switch (BAYDFPS003A), Fan Fail Switch (BAYDFPS004A), Discharge Air Sensing Kit (BAYTUBE004A or BAYTUBE005A) or Evaporator Defrost Control (Frostat) (BAYLOAM020B) unless the following options are factory installed: Frostat, Smoke Detector, Clogged Filter Switch, Fan Failure Switch, Discharge Air Sensing Kit. These factory installed options include the ReliaTel Options Module.

- ⑨ Cannot be used in conjunction with factory installed smoke detector.
- ⑩ Interface allows unit to communicate with Tracer 100, Tracker, VariTrac II, and is the preferred method of communication to Tracer Summit.
- ⑪ Interface allows unit to communicate as a Trane LonTalk device or directly with generic LonTalk Network BAS Controls.
- ⑫ For use with ReliaTel™ controlled units only.



3 — 5 Ton WSC036 - 060E

Precedent™ Packaged Heat Pumps R-410A

Zone Sensors for ReliaTel™ Controlled Units:

Model Number	Description	Used with	Mfg. Plant	Shipping Weight
BAYSENS007B	Single Setpoint Manual Changeover	WSC036-060E	CK/001	1
BAYSENS009B	Dual Setpoint Manual or Auto Changeover	WSC036-060E	CK/001	1
BAYSENS011B	Dual Setpoint Man. or Auto Changeover with System Function Lights	WSC036-060E	CK/001	1
BAYSENS019C	Programmable Night Setback w/System Function Lights	WSC036-060E	CK/001	1
BAYSENS013C ^①	Room Sensor w/ Override and Cancel Buttons	WSC036-060E	CK/001	1
BAYSENS014C ^①	Room Sensor w/ Temp. Adjustment with Override and Cancel Buttons	WSC036-060E	CK/001	1
BAYSENS017B	Remote Room Sensor	BAYSENS007B, 009B, 011B, & 019C	CK/001	1
BAYSENS031A ^③	Digital Display Zone Sensor	WSC036-060E	CK/001	1
BAYSENS032A ^③	Dual Thermistor Remote Zone Sensor	WSC036-060E	CK/001	1
BAYSTAT050A	2Htg/2Clg Digital Display Programmable Thermostat	WSC036-120E	CK/001	1
BAYSTAT051A	1Htg/1Clg Digital Display Thermostat	WSC036-060E	CK/001	1
BAYSTAT052A	2Htg/2Clg Digital Display Programmable "TOUCHSCREEN" Thermostat	WSC036-120E	CK/001	1
BAYSTAT055A	3Htg/2Clg Digital Display Thermostat	WSC036-120E	CK/001	1
BAYSTAT059A	Return Air Remote Sensor	BAYSTAT050A,051A, 052A,053A	CK/001	1
BAYSTAT060A	Wall Mounted Remote Sensor	BAYSTAT050A,051A 052A,053A	CK/001	1
BAYMTPL003B	Retrofit Wall Cover Plate Kit 7.25" x 6.0"	BAYSENS019C	CK/001	1
BAYMTPL004A	Retrofit Wall Cover Plate Kit 4.75" x 4.75"	BAYSENS007,009, 011B,013,014C & 017B	CK/001	1

① Used with Integrated Comfort™ Systems, any unit type. These sensors do not work with TCM. Consult BASD Marketing for them.

② See Accessory IOM for operational characteristics.

③ Functional only with ReliaTel™ controls.



12-1/2 Ton WCH150B WCD150B

Horizontal and Downflow Packaged Heat Pump

Specifications: Horizontal

Model Number	Factory Installed Option	Power Supply	Capacity Cooling		Uncrated Dimensions (in)			Mfg. Plant	Shipping Weight
			(BTUH)	EER	H	W	L		
WCH150B300G	—	208-230/3/60	152,500	9.4	50	71	107.5	CK/001	1700
WCH150B30BG	Ov Motor	208-230/3/60	152,500	9.4	50	71	107.5	CK/001	1775
WCH150B30FG	TCI	208-230/3/60	152,500	9.4	50	71	107.5	CK/001	1701
WCH150B400G	—	460/3/60	152,500	9.4	50	71	107.5	CK/001	1700
WCH150B40BG	Ov Motor	460/3/60	152,500	9.4	50	71	107.5	CK/001	1775
WCH150B40FG	TCI	460/3/60	152,500	9.4	50	71	107.5	CK/001	1701
WCH150BW00G	—	575/3/60	152,500	9.4	50	71	107.5	CK/001	1700
WCH150BW0BG	Ov Motor	575/3/60	152,500	9.4	50	71	107.5	CK/001	1775
WCH150BW0FG	TCI	575/3/60	152,500	9.4	50	71	107.5	CK/001	1701

Specifications: Downflow

Model Number	Factory Installed Option	Power Supply	Capacity Cooling		Uncrated Dimensions (in)			Mfg. Plant	Shipping Weight
			(BTUH)	EER	H	W	L		
WCD150B300G	—	208-230/3/60	153,200	9.1	50	71	107.5	CK/001	1700
WCD150B30AG	Economizer	208-230/3/60	153,200	9.1	50	71	107.5	CK/001	1815
WCD150B30BG	Ov Motor	208-230/3/60	153,200	9.1	50	71	107.5	CK/001	1775
WCD150B30CG	Econ/OvMtr	208-230/3/60	153,200	9.1	50	71	107.5	CK/001	1890
WCD150B30FG	TCI	208-230/3/60	153,200	9.1	50	71	107.5	CK/001	1701
WCD150B30GG	Econ/TCI	208-230/3/60	153,200	9.1	50	71	107.5	CK/001	1816
WCD150B400G	—	460/3/60	153,200	9.1	50	71	107.5	CK/001	1700
WCD150B40AG	Economizer	460/3/60	153,200	9.1	50	71	107.5	CK/001	1815
WCD150B40BG	Ov Motor	460/3/60	153,200	9.1	50	71	107.5	CK/001	1775
WCD150B40CG	Econ/OvMtr	460/3/60	153,200	9.1	50	71	107.5	CK/001	1890
WCD150B40FG	TCI	460/3/60	153,200	9.1	50	71	107.5	CK/001	1701
WCD150B40GG	Econ/TCI	460/3/60	153,200	9.1	50	71	107.5	CK/001	1816
WCD150BW00G	—	575/3/60	153,200	9.1	50	71	107.5	CK/001	1700
WCD150BW0AG	Economizer	575/3/60	153,200	9.1	50	71	107.5	CK/001	1815
WCD150BW0BG	Ov Motor	575/3/60	153,200	9.1	50	71	107.5	CK/001	1775
WCD150BW0CG	Econ/OvMtr	575/3/60	153,200	9.1	50	71	107.5	CK/001	1890
WCD150BW0FG	TCI	575/3/60	153,200	9.1	50	71	107.5	CK/001	1701
WCD150BW0GG	Econ/TCI	575/3/60	153,200	9.1	50	71	107.5	CK/001	1816

Features:

- ReliaTel™ Controls
- Built in anti-short cycle, time-delay relay and minimum on time controls
- ICS compatibility with either factory or field-installed Trane Communications Interface (TCI)
- Belt Drive Evaporator Fan Motor
- Quick-adjust idler arm assembly for belt and motor sheave adjustment
- 2" throwaway filters
- Capillary tube expansion device
- Liquid line drier
- Fork lift channels
- Operating charge of R-22
- Trane-Tite-Top (T³) weather tight top and cabinet
- Trane built compressors
- Low pressure switches
- Dedicated horizontal and downflow designs
- Sloped sheet metal drain pan
- Single side access
- Single point power for electric heat
- Complete line of optional electric heaters
- Quick-access panels with handles
- Internally enhanced coil tubing
- Low ambient to 0° F standard
- Colored and numbered wiring
- UL listed and CSA certified
- **5 year compressor warranty**
- **Optional extended warranties**



12-1/2 Ton
WCH150B
WCD150B

**Horizontal and
Downflow
Packaged
Heat Pump**

Horizontal Supplementary Heaters: Unit with heater is single circuit/single point.

Model Number	Power Supply	KW Rating	Nominal BTUH	No. of Stages	Used With	Mfg. Plant	Shipping Weight
AYHHTRN318A	208/240/60/3	13.5/18.0	46,100/61,400	1	WCH150B3	CK/001	28
AYHHTRP336A	208/240/60/3	27.0/36.0	92,200/122,900	2	WCH150B3	CK/001	31
AYHHTRP354A	208/240/60/3	40.5/54.0	138,200/184,300	2	WCH150B3	CK/001	38
AYHHTRP418A	460/60/3	18.0	61,400	1	WCH150B4	CK/001	28
AYHHTRP436A	460/60/3	36.0	122,900	2	WCH150B4	CK/001	31
AYHHTRP454A	460/60/3	54.0	184,300	2	WCH150B4	CK/001	38
AYHHTRNW18A	575/60/3	18.0	61,400	1	WCH150BW	CK/001	28
AYHHTRPW36A	575/60/3	36.0	122,900	2	WCH150BW	CK/001	31
AYHHTRPW54A	575/60/3	54.0	184,300	2	WCH150BW	CK/001	38

Downflow Supplementary Heaters: Unit with heater is single circuit/single point.

Model Number	Power Supply	KW Rating	Nominal BTUH	No. of Stages	Used With	Mfg. Plant	Shipping Weight
AYDHTRK318A	208/240/60/3	13.5/18.0	46,100/61,400	1	WCD150B3	CK/001	28
AYDHTRK336A	208/240/60/3	27.0/36.0	92,200/122,900	2	WCD150B3	CK/001	31
AYDHTRK354A	208/240/60/3	40.5/54.0	138,200/184,300	2	WCD150B3	CK/001	38
AYDHTRK418A	460/60/3	18.0	61,400	1	WCD150B4	CK/001	28
AYDHTRK436A	460/60/3	36.0	122,900	2	WCD150B4	CK/001	31
AYDHTRK454A	460/60/3	54.0	184,300	2	WCD150B4	CK/001	38
AYDHTRKW18A	575/60/3	18.0	61,400	1	WCD150BW	CK/001	28
AYDHTRKW36A	575/60/3	36.0	122,900	2	WCD150BW	CK/001	31
AYDHTRKW54A	575/60/3	54.0	184,300	2	WCD150BW	CK/001	38



12-1/2 Ton
WCH150B
WCD150B

**Horizontal and
Downflow
Packaged
Heat Pump**

Accessories:

Model Number	Description	Used With	Mfg. Plant	Shipping Weight
Extended Warranties – (1 yr - 5 yr – See Extended Warranty Section)				
BAYABRD002B	ReliaTel™ Options Module	See Note ⑦	CK/001	2
BAYCURB026B①⑥	Downflow Roof Curb	WCD150B	CK/001	205
BAYDMPR029C	0-25% Manual Outside Air Damper	WCD150B WCH150B	CK/001	32
BAYDMPR057A	Motorized Outside Air Damper	WCD150B WCH150B	CK/001	60
BAYECON089A	Downflow Economizer with Barometric Relief	WCD150B	CK/001	115
BAYECON091A	Horizontal Economizer	WCH150B	CK/001	150
BAYGARD043B	Tool-less Condenser Coil Hail Guard	WC*150B	CK/001	50
BAYSTAT023	Remote Potentiometer	BAYECON089A,091A, BAYDMPR057A	CK/001	1
BAYPWRX029A	Power Exhaust for use with Downflow Economizer/ 230V	WCD150B3	CK/001	95
BAYPWRX030A	Power Exhaust for use with Downflow Economizer/ 460V	WCD150B4	CK/001	95
BAYPWRX031A	Power Exhaust for use with Downflow Economizer/ 575V	WCD150BW	CK/001	95
BAYHSMT039B③	5 HP Oversize Motor Kit	WCD150B WCH150B	CK/001	75
BAYHSMT040B③	5 HP Oversize Motor Kit	WCD150BW WCH150BW	CK/001	75
BAYHSDR002B③	High Static Drive	WCD150B WCH150B	CK/001	15
BAYSERV001A	Selective Resistance Service Tester	WCD150B WCH150B	CK/001	2
BAYSENS016A⑤	Temperature Sensor	WCD150B WCH150B	CK/001	1
BAYFRST003A③	High Temperature Stat	WCD150B WCH150B	CK/001	1
BAYENTH007A②	Reference Enthalpy Kit	BAYECON089A BAYECON091A	CK/001	1
BAYENTH008A②	Comparative Enthalpy Kit	BAYECON089A BAYECON091A	CK/001	1
BAYDFPS005A⑧	Clogged Filter Switch	WCD150B WCH150B	CK/001	1
BAYDFPS006A⑧	Fan Failure Switch	BAYECON089A,091A	CK/001	1
BAYLOAM023A	Evaporator Defrost Control (Frostat)	WC*150B w/ReliaTel Options Module	CK/001	3
BAYTUBE008A④	Discharge Air Sensing Kit	WCD150B	CK/001	1
BAYTUBE009A④	Discharge Air Sensing Kit	WCH150B	CK/001	1
BAYVNOR002B	Ventilation Override Kit	WC*150B w/ReliaTel Options Module	CK/001	2

① For downflow use only. Cannot be adapted for horizontal units.

② Kits contain all necessary parts to achieve desired level of enthalpy control.

③ High static drive and oversized motors are mutually exclusive. Do not combine.

④ Used for true discharge air sensing in both heating and cooling models. Functional only with ReliaTel Options Module (BAYABRD002B/FIYABRD002B).

⑤ Cannot be used with manual outside air damper.

⑥ Clarksville Manufacturing has a no-return policy for this roof curb.

⑦ BAYABRD002B is required when ordering field installed accessories Clogged Filter Switch (BAYDFPS005A), Fan Fail Switch (BAYDFPS006A), Discharge Air Sensing Kit (BAYTUBE008A or BAYTUBE009A), Frostat (BAYLOAM023A), Ventilation Override (BAYVNOR002B).

⑧ Functional only with ReliaTel Options Module (BAYABRD002B/FIYABRD002B).

FOR CHOICE OF ZONE SENSORS (MICRO THERMOSTATS) SEE LAST PAGE OF THIS SECTION



15 Ton
WCH180B
WCD180B

**Horizontal and
Downflow
Packaged
Heat Pump**

Specifications: Horizontal

Model Number	Factory Installed Option	Power Supply	Capacity Cooling		Uncrated Dimensions (in)			Mfg. Plant	Shipping Weight
			(BTUH)	EER	H	W	L		
WCH180B300H	—	208-230/3/60	185,700	9.3	50	71	107.5	CK/001	1750
WCH180B30BH	Ov Motor	208-230/3/60	185,700	9.3	50	71	107.5	CK/001	1825
WCH180B30FH	TCI	208-230/3/60	185,700	9.3	50	71	107.5	CK/001	1751
WCH180B400H	—	460/3/60	185,700	9.3	50	71	107.5	CK/001	1750
WCH180B40BH	Ov Motor	460/3/60	185,700	9.3	50	71	107.5	CK/001	1825
WCH180B40FH	TCI	460/3/60	185,700	9.3	50	71	107.5	CK/001	1751
WCH180BW00H	—	575/3/60	185,700	9.3	50	71	107.5	CK/001	1750
WCH180BW0BH	Ov Motor	575/3/60	185,700	9.3	50	71	107.5	CK/001	1825
WCH180BW0FH	TCI	575/3/60	185,700	9.3	50	71	107.5	CK/001	1751

Specifications: Downflow

Model Number	Factory Installed Option	Power Supply	Capacity Cooling		Uncrated Dimensions (in)			Mfg. Plant	Shipping Weight
			(BTUH)	EER	H	W	L		
WCD180B300H	—	208-230/3/60	183,600	9.0	50	71	107.5	CK/001	1750
WCD180B30AH	Economizer	208-230/3/60	183,600	9.0	50	71	107.5	CK/001	1865
WCD180B30BH	Ov Motor	208-230/3/60	183,600	9.0	50	71	107.5	CK/001	1825
WCD180B30CH	Econ/OvMtr	208-230/3/60	183,600	9.0	50	71	107.5	CK/001	1940
WCD180B30FH	TCI	208-230/3/60	183,600	9.0	50	71	107.5	CK/001	1751
WCD180B30GH	Econ/TCI	208-230/3/60	183,600	9.0	50	71	107.5	CK/001	1866
WCD180B400H	—	460/3/60	183,600	9.0	50	71	107.5	CK/001	1750
WCD180B40AH	Economizer	460/3/60	183,600	9.0	50	71	107.5	CK/001	1865
WCD180B40BH	Ov Motor	460/3/60	183,600	9.0	50	71	107.5	CK/001	1825
WCD180B40CH	Econ/OvMtr	460/3/60	183,600	9.0	50	71	107.5	CK/001	1940
WCD180B40FH	TCI	460/3/60	183,600	9.0	50	71	107.5	CK/001	1751
WCD180B40GH	Econ/TCI	460/3/60	183,600	9.0	50	71	107.5	CK/001	1866
WCD180BW00H	—	575/3/60	183,600	9.0	50	71	107.5	CK/001	1750
WCD180BW0AH	Economizer	575/3/60	183,600	9.0	50	71	107.5	CK/001	1865
WCD180BW0BH	Ov Motor	575/3/60	183,600	9.0	50	71	107.5	CK/001	1825
WCD180BW0CH	Econ/OvMtr	575/3/60	183,600	9.0	50	71	107.5	CK/001	1940
WCD180BW0FH	TCI	575/3/60	183,600	9.0	50	71	107.5	CK/001	1751
WCD180BW0GH	Econ/TCI	575/3/60	183,600	9.0	50	71	107.5	CK/001	1866

Features:

- ReliaTel™ Controls
- Built in anti-short cycle, time-delay relay and minimum on time controls
- ICS compatibility with either factory or field-installed Trane Communications Interface (TCI)
- Belt drive evaporator fan motor
- Quick-adjust idler arm assembly for belt and motor sheave adjustment
- 2" throwaway filters
- Capillary tube expansion device
- Liquid line drier
- Fork lift channels
- Operating charge of R-22
- Trane-Tite-Top (T³) weather tight top and cabinet
- Trane built compressors
- Low pressure switches
- Dedicated horizontal and downflow designs
- Sloped sheet metal drain pan
- Single side access
- Single point power for electric heat
- Complete line of optional electric heaters
- Quick-access panels with handles
- Internally enhanced coil tubing
- Low ambient to 0°F standard
- Colored and numbered wiring
- UL listed and CSA certified
- **5 year compressor warranty**
- **Optional extended warranties**



15 Ton
WCH180B
WCD180B

**Horizontal and
Downflow
Packaged
Heat Pump**

Horizontal Supplementary Heaters: Unit with heater is single circuit/single point.

Model Number	Power Supply	KW Rating	Nominal BTUH	No. of Stages	Used With	Mfg. Plant	Shipping Weight
AYHHTRN318A	208/240/60/3	13.5/18.0	46,100/61,400	1	WCH180B3	CK/001	28
AYHHTRP336A	208/240/60/3	27.0/36.0	92,200/122,900	2	WCH180B3	CK/001	31
AYHHTRP354A	208/240/60/3	40.5/54.0	138,200/184,300	2	WCH180B3	CK/001	38
AYHHTRP418A	460/60/3	18.0	61,400	1	WCH180B4	CK/001	28
AYHHTRP436A	460/60/3	36.0	122,900	2	WCH180B4	CK/001	31
AYHHTRP454A	460/60/3	54.0	184,300	2	WCH180B4	CK/001	38
AYHHTRNW18A	575/60/3	18.0	61,400	1	WCH180BW	CK/001	28
AYHHTRPW36A	575/60/3	36.0	122,900	2	WCH180BW	CK/001	31
AYHHTRPW54A	575/60/3	54.0	184,300	2	WCH180BW	CK/001	38

Downflow Supplementary Heaters: Unit with heater is single circuit/single point.

Model Number	Power Supply	KW Rating	Nominal BTUH	No. of Stages	Used With	Mfg. Plant	Shipping Weight
AYDHTRK318A	208/240/60/3	13.5/18.0	46,100/61,400	1	WCD180B3	CK/001	28
AYDHTRK336A	208/240/60/3	27.0/36.0	92,200/122,900	2	WCD180B3	CK/001	31
AYDHTRK354A	208/240/60/3	40.5/54.0	138,200/184,300	2	WCD180B3	CK/001	38
AYDHTRK418A	460/60/3	18.0	61,400	1	WCD180B4	CK/001	28
AYDHTRK436A	460/60/3	36.0	122,900	2	WCD180B4	CK/001	31
AYDHTRK454A	460/60/3	54.0	184,300	2	WCD180B4	CK/001	38
AYDHTRKW18A	575/60/3	18.0	61,400	1	WCD180BW	CK/001	28
AYDHTRKW36A	575/60/3	36.0	122,900	2	WCD180BW	CK/001	31
AYDHTRKW54A	575/60/3	54.0	184,300	2	WCD180BW	CK/001	38



15 Ton
WCH180B
WCD180B

Horizontal and
Downflow
Packaged
Heat Pump

Accessories:

Model Number	Description	Used With	Mfg. Plant	Shipping Weight
Extended Warranties – (1 yr - 5 yr – See Extended Warranty Section)				
BAYABRD002B	ReliaTel™ Options Module	See Note ⑦	CK/001	2
BAYCURB026B①⑥	Downflow Roof Curb	WCD180B	CK/001	205
BAYDMPR029C	0-25% Manual Outside Air Damper	WCD180B WCH180B	CK/001	32
BAYDMPR057A	Motorized Outside Air Damper	WCD180B WCH180B	CK/001	60
BAYECON089A	Downflow Economizer with Barometric Relief	WCD180B	CK/001	115
BAYECON091A	Horizontal Economizer	WCH180B	CK/001	150
BAYGARD046A	Tool-less Condenser Coil Hail Guard	WC*180B	CK/001	50
BAYSTAT023	Remote Potentiometer	BAYECON089A,091A, BAYDMPR057A	CK/001	1
BAYPWRX029A	Power Exhaust for use with Downflow Economizer/ 230V	WCD180B3	CK/001	95
BAYPWRX030A	Power Exhaust for use with Downflow Economizer/ 460V	WCD180B4	CK/001	95
BAYPWRX031A	Power Exhaust for use with Downflow Economizer/ 575V	WCD180BW	CK/001	95
BAYHSMT039B	5 HP Oversize Motor Kit	WCD180B WCH180B	CK/001	75
BAYHSMT040B	5 HP Oversize Motor Kit	WCD180BW WCH180BW	CK/001	75
BAYSERV001A	Selective Resistance Service Tester	WCD180B WCH180B	CK/001	2
BAYSENS016A⑤	Temperature Sensor	WCD180B WCH180B	CK/001	1
BAYFRST003A③	High Temperature Stat	WCD180B WCH180B	CK/001	1
BAYENTH007A②	Reference Enthalpy Kit	BAYECON089A BAYECON091A	CK/001	1
BAYENTH008A②	Comparative Enthalpy Kit	BAYECON089A BAYECON091A	CK/001	1
BAYDFPS005A⑧	Clogged Filter Switch	WCD180B WCH180B	CK/001	1
BAYDFPS006A⑧	Fan Failure Switch	BAYECON089A,091A	CK/001	1
BAYLOAM023A	Evaporator Defrost Control (Frostat)	WC*180B w/ReliaTel Options Module	CK/001	3
BAYTUBE008A④	Discharge Air Sensing Kit	WCD180B	CK/001	1
BAYTUBE009A④	Discharge Air Sensing Kit	WCH180B	CK/001	1
BAYVNOR002B	Ventilation Override Kit	WC*180B w/ReliaTel Options Module	CK/001	2

① For downflow use only. Cannot be adapted for horizontal units.

② Kits contain all necessary parts to achieve desired level of enthalpy control.

③ Must be used with either field or factory installed TCI (Trane Communication Interface)

④ Used for true discharge air sensing in both heating and cooling models. Functional only with ReliaTel Options Module (BAYABRD002B/FIYABRD002B).

⑤ Cannot be used with manual outside air damper.

⑥ Clarksville Manufacturing has a no-return policy for this roof curb.

⑦ BAYABRD002B is required when ordering field installed accessories Clogged Filter Switch (BAYDFPS005A), Fan Fail Switch (BAYDFPS006A), Discharge Air Sensing Kit (BAYTUBE008A or BAYTUBE009A), Frostat (BAYLOAM023A), Ventilation Override (BAYVNOR002B).

⑧ Functional only with ReliaTel Options Module (BAYABRD002B/FIYABRD002B).

FOR CHOICE OF ZONE SENSORS (MICRO THERMOSTATS) SEE LAST PAGE OF THIS SECTION



20 Ton
WCH240B
WCD240B

**Horizontal and
Downflow
Packaged
Heat Pump**

Specifications: Horizontal

Model Number	Factory Installed Option	Power Supply	Capacity Cooling		Uncrated Dimensions (in)			Mfg. Plant	Shipping Weight
			(BTUH)	EER	H	W	L		
WCH240B300G	—	208-230/3/60	248,900	8.6	54	85	122.5	CK/001	2385
WCH240B30BG	Ov Motor	208-230/3/60	248,900	8.6	54	85	122.5	CK/001	2475
WCH240B30FG	TCI	208-230/3/60	248,900	8.6	54	85	122.5	CK/001	2386
WCH240B400G	—	460/3/60	248,900	8.6	54	85	122.5	CK/001	2385
WCH240B40BG	Ov Motor	460/3/60	248,900	8.6	54	85	122.5	CK/001	2475
WCH240B40FG	TCI	460/3/60	248,900	8.6	54	85	122.5	CK/001	2381
WCH240BW00G	—	575/3/60	248,900	8.6	54	85	122.5	CK/001	2385
WCH240BW0BG	Ov Motor	575/3/60	248,900	8.6	54	85	122.5	CK/001	2475
WCH240BW0FG	TCI	575/3/60	248,900	8.6	54	85	122.5	CK/001	2381

Specifications: Downflow

Model Number	Factory Installed Option	Power Supply	Capacity Cooling		Uncrated Dimensions (in)			Mfg. Plant	Shipping Weight
			(BTUH)	EER	H	W	L		
WCD240B300G	—	208-230/3/60	242,700	8.6	54	85	122.5	CK/001	2340
WCD240B30AG	Economizer	208-230/3/60	242,700	8.6	54	85	122.5	CK/001	2475
WCD240B30BG	Ov Motor	208-230/3/60	242,700	8.6	54	85	122.5	CK/001	2520
WCD240B30CG	Econ/OvMtr	208-230/3/60	242,700	8.6	54	85	122.5	CK/001	2565
WCD240B30FG	TCI	208-230/3/60	242,700	8.6	54	85	122.5	CK/001	2341
WCD240B30GG	Econ/TCI	208-230/3/60	242,700	8.6	54	85	122.5	CK/001	2476
WCD240B400G	—	460/3/60	242,700	8.6	54	85	122.5	CK/001	2340
WCD240B40AG	Economizer	460/3/60	242,700	8.6	54	85	122.5	CK/001	2475
WCD240B40BG	Ov Motor	460/3/60	242,700	8.6	54	85	122.5	CK/001	2520
WCD240B40CG	Econ/OvMtr	460/3/60	242,700	8.6	54	85	122.5	CK/001	2565
WCD240B40FG	TCI	460/3/60	242,700	8.6	54	85	122.5	CK/001	2341
WCD240B40GG	Econ/TCI	460/3/60	242,700	8.6	54	85	122.5	CK/001	2476
WCD240BW00G	—	575/3/60	242,700	8.6	54	85	122.5	CK/001	2340
WCD240BW0AG	Economizer	575/3/60	242,700	8.6	54	85	122.5	CK/001	2475
WCD240BW0BG	Ov Motor	575/3/60	242,700	8.6	54	85	122.5	CK/001	2520
WCD240BW0CG	Econ/OvMtr	575/3/60	242,700	8.6	54	85	122.5	CK/001	2565
WCD240BW0FG	TCI	575/3/60	242,700	8.6	54	85	122.5	CK/001	2341
WCD240BW0GG	Econ/TCI	575/3/60	242,700	8.6	54	85	122.5	CK/001	2476

Features:

- ReliaTel™ Controls
- Built in anti-short cycle, time-delay relay and minimum on time controls
- ICS compatibility with either factory or field-installed Trane Communications Interface (TCI)
- Belt drive evaporator fan motor
- Quick-adjust idler arm assembly for belt and motor sheave adjustment
- 2" throwaway filters
- Capillary tube expansion device
- Liquid line drier
- Fork lift channels
- Operating charge of R-22
- Trane-Tite-Top (T³) weather tight top and cabinet
- Trane built compressors
- Low pressure switches
- Dedicated horizontal and downflow designs
- Single side access
- Sloped sheet metal drain pan
- Single point power for electric heat
- Complete line of optional electric heaters
- Quick-access panels with handles
- Internally enhanced coil tubing
- Low ambient to 0°F standard
- Colored and numbered wiring
- UL listed and CSA certified
- **1 year compressor warranty**
- **Optional extended warranties**



20 Ton
WCH240B
WCD240B

**Horizontal and
Downflow
Packaged
Heat Pump**

Horizontal Supplementary Heaters: Unit with heater is single circuit/single point.

Model Number	Power Supply	KW Rating	Nominal BTUH	No. of Stages	Used With	Mfg. Plant	Shipping Weight
AYHHTRN336A	208/240/60/3	27.0/36.0	92,200/122,900	2	WCH240B3	CK/001	27
AYHHTRN354A	208/240/60/3	40.5/54.0	138,200/184,300	2	WCH240B3	CK/001	32
AYHHTRN372A	208/240/60/3	54.0/72.0	184,300/245,700	2	WCH240B3	CK/001	34
AYHHTRN436A	460/60/3	36.0	122,900	2	WCH240B4	CK/001	27
AYHHTRN454A	460/60/3	54.0	184,300	2	WCH240B4	CK/001	32
AYHHTRN472A	460/60/3	72.0	245,700	2	WCH240B4	CK/001	34
AYHHTRNW36A	575/60/3	36.0	122,900	2	WCH240BW	CK/001	27
AYHHTRNW54A	575/60/3	54.0	184,300	2	WCH240BW	CK/001	32
AYHHTRNW72A	575/60/3	72.0	245,700	2	WCH240BW	CK/001	34

Downflow Supplementary Heaters: Unit with heater is single circuit/single point.

Model Number	Power Supply	KW Rating	Nominal BTUH	No. of Stages	Used With	Mfg. Plant	Shipping Weight
AYDHTRL336A	208/240/60/3	27.0/36.0	92,200/122,900	2	WCD240B3	CK/001	27
AYDHTRL354A	208/240/60/3	40.5/54.0	138,200/184,300	2	WCD240B3	CK/001	32
AYDHTRK372A	208/240/60/3	54.0	184,300/245,700	2	WCD240B3	CK/001	34
AYDHTRL436A	460/60/3	36.0	122,900	2	WCD240B4	CK/001	27
AYDHTRL454A	460/60/3	54.0	184,300	2	WCD240B4	CK/001	32
AYDHTRK472A	460/60/3	72.0	245,700	2	WCD240B4	CK/001	34
AYDHTRLW36A	575/60/3	36.0	122,900	2	WCD240BW	CK/001	27
AYDHTRLW54A	575/60/3	54.0	184,300	2	WCD240BW	CK/001	32
AYDHTRKW72A	575/60/3	72.0	245,700	2	WCD240BW	CK/001	34



20 Ton
WCH240B
WCD240B

Horizontal and
Downflow
Packaged
Heat Pump

Accessories:

Model Number	Description	Used With	Mfg. Plant	Shipping Weight
Extended Warranties – (1 yr - 5 yr – See Extended Warranty Section)				
BAYABRD002B	ReliaTel™ Options Module	See Note ⑦	CK/001	2
BAYCURB027B①⑥	Downflow Roof Curb	WCD240B	CK/001	235
BAYDMPR029C	0-25% Manual Outside Air Damper	WCD240B WCH240B	CK/001	32
BAYDMPR058A	Motorized Outside Air Damper	WCD240B WCH240B	CK/001	75
BAYECON090A	Downflow Economizer with Barometric Relief	WCD240B	CK/001	135
BAYECON092A	Horizontal Economizer	WCH240B	CK/001	175
BAYGARD045A	Tool-less Condenser Coil Hail Guard	WC*240B	CK/001	60
BAYSTAT023	Remote Potentiometer	BAYECON090A,092A, BAYDMPR058A	CK/001	1
BAYPWRX029A	Power Exhaust for use with Downflow Economizer/230V	WCD240B3	CK/001	95
BAYPWRX030A	Power Exhaust for use with Downflow Economizer/460V	WCD240B4	CK/001	95
BAYPWRX031A	Power Exhaust for use with Downflow Economizer/575V	WCD240BW	CK/001	95
BAYHSMT042A⑤	7½ HP Oversize Motor Kit	WCD/WCH240BW	CK/001	90
BAYHSMT098A	7½ HP Oversize Motor Kit	WC*240B3	CK/001	90
BAYHSMT099A	7½ HP Oversize Motor Kit	WC*240B4	CK/001	90
BAYHSDR005B⑤	High Static Drive Kit	WCD/WCH240B	CK/001	1
BAYSERV001A	Selective Resistance Service Tester	WCD240B WCH240B	CK/001	2
BAYSENS016A⑤	Temperature Sensor	WCD240B/WCH240B	CK/001	1
BAYFRST003A③	High Temperature Stat	WCD240B/WCH240B	CK/001	1
BAYENTH007A②	Reference Enthalpy Kit	BAYECON090A BAYECON092A	CK/001	1
BAYENTH008A②	Comparative Enthalpy Kit	BAYECON090A BAYECON092A	CK/001	1
BAYDFPS005A⑧	Clogged Filter Switch	WCD240B WCH240B	CK/001	1
BAYDFPS006A⑧	Fan Failure Switch	BAYECON090A,092A	CK/001	1
BAYLOAM023A	Evaporator Defrost Control (Frostat)	WC*240B w/ReliaTel Options Module	CK/001	3
BAYTUBE008A④	Discharge Air Sensing Kit	WCD240B	CK/001	1
BAYTUBE009A④	Discharge Air Sensing Kit	WCH240B	CK/001	1
BAYVNOR002B	Ventilation Override Kit	WC*240B w/ReliaTel Options Module	CK/001	2

① For downflow use only. Cannot be adapted for horizontal units.

② Kits contain all necessary parts to achieve desired level of enthalpy control.

③ Must be used with either field or factory installed TCI (Trane Communication Interface).

④ Used for true discharge air sensing in both heating and cooling models. Functional only with ReliaTel Options Module (BAYABRD002B/FIYABRD002B).

⑤ Cannot be used with manual outside air damper.

⑥ Clarksville Manufacturing has a no-return policy for this roof curb.

⑦ BAYABRD002B is required when ordering field installed accessories Clogged Filter Switch (BAYDFPS005A), Fan Fail Switch (BAYDFPS006A), Discharge Air Sensing Kit (BAYTUBE008A or BAYTUBE009A), Frostat (BAYLOAM023A), Ventilation Override (BAYVNOR002B).

⑧ Functional only with ReliaTel Options Module (BAYABRD002B/FIYABRD002B).

FOR CHOICE OF ZONE SENSORS (MICRO THERMOSTATS) SEE LAST PAGE OF THIS SECTION



12-1/2 — 20 Ton

Horizontal and Downflow Packaged Heat Pump

Zone Sensors: (Micro Thermostats to be used with ReliaTel™ Units)

Model Number	Description	Used with	Mfg. Plant	Shipping Weight
BAYSENS007B	Single Point Manual Changeover w/ Em. Heat	WC*150-240	CK/001	1
BAYSENS009B	Dual Setpoint Manual or Auto w/ Em. Heat	WC*150-240	CK/001	1
BAYSENS011B	Dual Setpoint Manual or Auto Changeover w/ System Function Light and Em. Heat	WC*150-240	CK/001	1
BAYSENS013C ^①	Room Sensor w/ Override Button	WC*150-240	CK/001	1
BAYSENS014C ^①	Room Sensor w/ Temp. Adjustment	WC*150-240	CK/001	1
BAYSENS019C	Programmable Night Setback	WC*150-240	CK/001	1
BAYSENS017B	Remote Room Sensor	BAYSENS007B,009B,011B,019C	CK/001	1
BAYSENS031A ^③	Digital Display Zone Sensor	WC*150-240	CK/001	1
BAYSENS032A ^③	Dual Thermistor Remote Zone Sensor	WC*150-240	CK/001	1
BAYMTPL003B	Retrofit Wall Cover Plate Kit 7.25" x 6.0"	BAYSENS019C	CK/001	1
BAYMTPL004B	Retrofit Wall Cover Plate Kit 4.25" x 4.25"	BAYSENS007,009,011017B & 013,014C	CK/001	1
BAYSTAT050A	2Htg/2Clg Digital Display Programmable Thermostat	WC*150-240	CK/001	1
BAYSTAT052A	2Htg/2Clg Digital Display Programmable "TOUCHSCREEN" Thermostat	WC*150-240	CK/001	1
BAYSTAT053A	3Htg/2Clg Digital Display Programmable Thermostat with Relative Humidity Sensing Built-In	WC*150-240 (with Dehumidification Option)	CK/001	1
BAYSTAT055A	3Htg/2Clg Digital Display Thermostat	WC*150-240	CK/001	1
BAYSTAT059A	Return Air Remote Sensor	BAYSTAT050A, 052A,053A	CK/001	1
BAYSTAT060A	Wall Mounted Remote Sensor	BAYSTAT050A, 052A,053A	CK/001	1

① Used with Integrated Comfort Systems™ any unit type. These sensors do not work with TCM. Consult BASD Marketing for them.

② See Accessory IOM for operational characteristics.

③ Functional only with ReliaTel™ controls.

* Either horizontal or downflow models.

Controls:

Model Number	Description	Used with	Mfg. Plant	Shipping Weight
BAYCO2K002B	CO ₂ Sensor Kit, Wall Mounted	WC*150-240 w/Economizer	CK/001	3
BAYCO2K004B	CO ₂ Sensor Kit, Duct Mounted	WC*150-240 w/Economizer	CK/001	3.5
BAYICSI004B	Field Installed TCI (Trane Communication Interface)	WC*150-240	CK/001	1
BAYLTCI003B	LonTalk Interface	WC*150-240	CK/001	1



Optional Extended Warranty

EXTENDED WARRANTY MODEL NUMBERS

Complete systems installed in Residential Applications	WA-2-WA-3
Condensing units installed in Residential Applications	WA-4
Compressors installed in Residential Applications	WA-5
Furnaces, air handlers and heat exchangers installed in Residential Applications	WA-6
Complete systems installed in Commercial Applications	WA-7 - WA-8
Condensing units installed in Commercial Applications	WA-9
Compressor installed in Commercial Applications	WA-10
Furnaces, air handlers and heat exchangers installed in Commercial Applications	WA-11 - WA-12
Accessories installed in Residential or Commercial Application	WA-13
National Account	WA-14
Water Source package systems installed in Residential Applications	WA-15
Water Source package systems installed in Commercial Applications	WA-16
No Parts Mark-up Warranties installed in Residential or Commercial Applications	WA-17
General Notes	WA-18
Numerical listing of product coverage	WA-19 - WA-53
Optional Extended Warranty Benefits	WA-54-WA-55

Great care has been taken to ensure the accuracy of the information in the Extended Warranty section of the 2007 Trane Product Catalog. However, the information in the Trane Optional Extended Warranty Handbook (Publication No. 26-1019) supersedes all information contained herein.



1 — 6 Ton Complete System Warranties

Extended Warranties Residential Application

These Optional Extended Warranties apply to complete systems when installed in Residential Applications. Coverage includes Trane condensing unit, thermostat, and air handler or furnace with evaporator coil if identified on the Agreement.

One (1) -year warranties apply to equipment less than five (5) years old and can be renewed each year until the equipment is ten (10) years old when accepted by the Extended Warranty department. Five (5) -year and ten (10) -year warranties expire five (5) or ten (10) years from the installation date of the covered equipment no matter when purchased.

Equipment installed within 1 mile of salt water or environment with high sulfur content should use the "S" warranty models. The Warranty would be the same as below with an "S" in the 7th digit instead of the "0" below. For example, use TAYWARS004 instead of TAYWAR0004.

Condensing unit determines type of system for Extended Warranty Coverage.

* Equipment with ten (10) year limited warranty on all parts.

WARRANTY #	TONS	DESCRIPTION	TERM	COVERAGE
TAYWAR0120	1-5	PACKAGE OR SPLIT SYSTEM	1 YR	PARTS ONLY
TAYWAR0045	1-5	PACKAGE OR SPLIT SYSTEM	1 YR	PARTS & LABOR
TAYWAR4198	1-5	PACKAGE OR SPLIT SYSTEM, RESIDENTIAL APPLICATION, WITH NON-TRANE EVAPORATOR COIL	1 YR	PARTS & LABOR
TAYWAR0086①	1-5	PACKAGE OR SPLIT SYSTEM	5 YR	PARTS ONLY
TAYWAR0003	1-5	PACKAGE OR SPLIT SYSTEM	5 YR	PARTS & LABOR
TAYWAR0396	1-5	PACKAGE OR SPLIT SYSTEM	5 YR	PARTS & LABOR
TAYWAR4200	1-5	PACKAGE OR SPLIT SYSTEM, RESIDENTIAL APPLICATION, WITH NON-TRANE EVAPORATOR COIL	5 YR	PARTS & LABOR
TAYWAR0087②	1-5	PACKAGE OR SPLIT SYSTEM	10 YR	PARTS ONLY
TAYWAR0004②	1-5	PACKAGE OR SPLIT SYSTEM	10 YR	PARTS & LABOR
TAYWAR0397	1-5	PACKAGE OR SPLIT SYSTEM	10 YR	PARTS & LABOR
TAYWAR0400	1-5	PACKAGE OR SPLIT SYSTEM	10 YR	PARTS & LABOR
TAYWAR0395② "Comfort System"	1-5	PACKAGE OR SPLIT SYSTEM INCLUDES TRANE ELECTRONIC AIR CLEANER	10 YR	PARTS & LABOR
TAYWAR4202	1-5	PACKAGE OR SPLIT SYSTEM, RESIDENTIAL APPLICATION, WITH NON-TRANE EVAPORATOR COIL	10 YR	PARTS & LABOR
TAYWAR4204	1-5	PACKAGE OR SPLIT SYSTEM, RESIDENTIAL APPLICATION COMFORT SYSTEM, WITH NON-TRANE EVAPORATOR COIL	10 YR	PARTS & LABOR
TAYWAR0121	1-5	*XL - SPLIT SYSTEM	1 YR	PARTS ONLY
TAYWAR0122	1-5	*XL - SPLIT SYSTEM	1 YR	PARTS & LABOR
TAYWAR4199	1-5	*XL - SPLIT SYSTEM, RESIDENTIAL APPLICATION, WITH NON-TRANE EVAPORATOR COIL	1 YR	PARTS & LABOR
TAYWAR0123①	1-5	*XL - SPLIT SYSTEM	5 YR	PARTS ONLY
TAYWAR0124	1-5	*XL - SPLIT SYSTEM	5 YR	PARTS & LABOR

Great care has been taken to ensure the accuracy of the information in the Extended Warranty section of the 2005 Trane Product Catalog. However, the information in the Trane Optional Extended Warranty Handbook (Publication No. 26-1019) supersedes all information contained herein.



1 — 6 Ton Complete System Warranties

Extended Warranties Residential Application

WARRANTY #	TONS	DESCRIPTION	TERM	COVERAGE
TAYWAR4201	1-5	*XL - SPLIT SYSTEM, RESIDENTIAL APPLICATION, WITH NON-TRANE EVAPORATOR COIL	5 YR	PARTS & LABOR
TAYWAR0398	1-5	XL- SPLIT SYSTEM	5 YR	PARTS & LABOR
TAYWAR0399	1-5	*XL - SPLIT SYSTEM	10 YR	PARTS & LABOR
TAYWAR0401	1-5	XL- SPLIT SYSTEM	10 YR	PARTS & LABOR
TAYWAR0406	1-5	PACKAGE OR SPLIT SYSTEM, RESIDENTIAL APPLICATION WITH NON-TRANE EVAPORATOR COIL	5 YR	PARTS & LABOR
TAYWAR0407	1-5	PACKAGE OR SPLIT SYSTEM, RESIDENTIAL APPLICATION WITH NON-TRANE EVAPORATOR COIL	10 YR	PARTS & LABOR
TAYWAR0408	1-5	XL - SPLIT SYSTEM, RESIDENTIAL APPLICATION WITH NON-TRANE EVAPORATOR COIL	5 YR	PARTS & LABOR
TAYWAR0409	1-5	XL - SPLIT SYSTEM, RESIDENTIAL APPLICATION WITH NON-TRANE EVAPORATOR COIL	10 YR	PARTS & LABOR
TAYWAR0410	1-5	PACKAGE OR SPLIT SYSTEM, RESIDENTIAL APPLICATION WITH NON-TRANE EVAPORATOR COIL	10 YR	PARTS & LABOR
TAYWAR0411	1-5	XL - COMFORT SYSTEM - SPLIT, RESIDENTIAL APPLICATION WITH NON-TRANE EVAPORATOR COIL	10 YR	PARTS & LABOR
TAYWAR0088 ^①	1-5	*XL - SPLIT SYSTEM	10 YR	PARTS ONLY
TAYWAR0082	1-5	*XL - SPLIT SYSTEM	10 YR	PARTS & LABOR
TAYWAR4203	1-5	*XL - SPLIT SYSTEM, RESIDENTIAL APPLICATION, WITH NON-TRANE EVAPORATOR COIL	10 YR	PARTS & LABOR
TAYWAR0362 "Comfort System"	1-5	*XL - SPLIT SYSTEM INCLUDES TRANE ELECTRONIC AIR CLEANER	10 YR	PARTS & LABOR
TAYWAR4205	1-5	*XL - SPLIT SYSTEM, RESIDENTIAL APPLICATION, COMFORT SYSTEM WITH NON-TRANE EVAPORATOR COIL	10 YR	PARTS & LABOR
TAYWAR0125	1-5	XV - PACKAGE OR SPLIT SYSTEM	1 YR	PARTS ONLY
TAYWAR0046	1-5	XV - PACKAGE OR SPLIT SYSTEM	1 YR	PARTS & LABOR
TAYWAR0319	3-6	II ⁺ - SPLIT SYSTEM	1 YR	PARTS & LABOR
TAYWAR0320	3-6	II ⁺ - SPLIT SYSTEM	5 YR	PARTS & LABOR
TAYWAR0321	3-6	II ⁺ - SPLIT SYSTEM	10 YR	PARTS & LABOR
TAYWAR0322	3-6	*II ⁺ - SPLIT SYSTEM	1 YR	PARTS & LABOR
TAYWAR0323	3-6	*II ⁺ - SPLIT SYSTEM	5 YR	PARTS & LABOR
TAYWAR0324	3-6	*II ⁺ - SPLIT SYSTEM	10 YR	PARTS & LABOR

^① Obsolete for Equipment with five (5) or ten (10) year Limited Warranty on all Functional Parts.

All XB units and "M" Package Units are not eligible if installed or initial warranty sale date is after 10/01/2001.

Condensing unit determines type of system for Extended Warranty Coverage.

Great care has been taken to ensure the accuracy of the information in the Extended Warranty section of the 2007 Trane Product Catalog. However, the information in the Trane Optional Extended Warranty Handbook (Publication No. 26-1019) supersedes all information contained herein.



1 — 5 Ton Condensing Unit Warranties

Extended Warranties Residential Application

These Optional Extended Warranties apply to Trane condensing units only when installed in Residential Applications. A new Trane evaporator coil and thermostat are covered only if installed at the same time and identified on the warranty Agreement. Compressor only warranties cover only the compressor.

One (1) -year warranties apply to equipment less than five (5) years old and can be renewed each year until the equipment is ten (10) years old when accepted by the Extended Warranty Department. Five (5)- and ten (10) -year warranties expire five (5) or ten (10) years from the installation date of the covered equipment no matter when purchased.

Equipment installed within 1 mile of salt water or environment with high sulfur content should use the “S” warranty models. The Warranty would be the same as below with an “S” in the 7th digit instead of the “0” below. For example, use TAYWARS002 instead of TAYWAR0002.

* Equipment with ten (10) year limited warranty on functional parts.

WARRANTY #	TONS	DESCRIPTION	TERM	COVERAGE
TAYWAR0127	1-5	CONDENSING UNIT	1 YR	PARTS ONLY
TAYWAR0044	1-5	CONDENSING UNIT	1 YR	PARTS & LABOR
TAYWAR4206	1-5	CONDENSING UNIT AND THERMOSTAT, RESIDENTIAL APPLICATION, WITH NON-TRANE EVAPORATOR COIL	1 YR	PARTS & LABOR
TAYWAR0083①	1-5	CONDENSING UNIT	5 YR	PARTS ONLY
TAYWAR0001	1-5	CONDENSING UNIT	5 YR	PARTS & LABOR
TAYWAR4208	1-5	CONDENSING UNIT AND THERMOSTAT, RESIDENTIAL APPLICATION, WITH NON-TRANE EVAPORATOR COIL	5 YR	PARTS & LABOR
TAYWAR0084②	1-5	CONDENSING UNIT	10 YR	PARTS ONLY
TAYWAR0002②	1-5	CONDENSING UNIT	10 YR	PARTS & LABOR
TAYWAR4210②	1-5	CONDENSING UNIT AND THERMOSTAT, RESIDENTIAL APPLICATION, WITH NON-TRANE EVAPORATOR COIL	10 YR	PARTS & LABOR
TAYWAR0128	1-5	*XL - CONDENSING UNIT	1 YR	PARTS ONLY
TAYWAR0129	1-5	*XL - CONDENSING UNIT	1 YR	PARTS & LABOR
TAYWAR4207	1-5	*XL CONDENSING UNIT AND THERMOSTAT, RESIDENTIAL APPLICATION, WITH NON-TRANE EVAPORATOR COIL	1 YR	PARTS & LABOR
TAYWAR0130①	1-5	*XL - CONDENSING UNIT	5 YR	PARTS ONLY
TAYWAR0206	1-5	*XL - CONDENSING UNIT	5 YR	PARTS & LABOR
TAYWAR4209	1-5	*XL CONDENSING UNIT AND THERMOSTAT, RESIDENTIAL APPLICATION, WITH NON-TRANE EVAPORATOR COIL	5 YR	PARTS & LABOR
TAYWAR0085①	1-5	*XL - CONDENSING UNIT	10 YR	PARTS ONLY
TAYWAR0081	1-5	*XL - CONDENSING UNIT	10 YR	PARTS & LABOR
TAYWAR4211	1-5	*XL, CONDENSING UNIT AND THERMOSTAT, RESIDENTIAL APPLICATION, WITH NON-TRANE EVAPORATOR COIL	10 YR	PARTS & LABOR
TAYWAR0131	1-5	XV - CONDENSING UNIT	1 YR	PARTS ONLY
TAYWAR0132	1-5	XV - CONDENSING UNIT	1 YR	PARTS & LABOR

Obsolete for Equipment with five (5) or ten (10) year Limited Warranty on all Functional Parts.
All XB units and “M” Package Units are not eligible if installed or initial warranty sale date is after 10/01/2001.

Great care has been taken to ensure the accuracy of the information in the Extended Warranty section of the 2005 Trane Product Catalog. However, the information in the Trane Optional Extended Warranty Handbook (Publication No. 26-1019) supersedes all information contained herein.



**1 — 5 Ton
Compressor Only
Warranties**

**Extended
Warranties
Residential
Application**

WARRANTY #	TONS	DESCRIPTION	TERM	COVERAGE
TAYWAR0049	1-5	COMPRESSOR ONLY	1 YR	PARTS ONLY
TAYWAR0050	1-5	COMPRESSOR ONLY	1 YR	LABOR ONLY
TAYWAR0051	1-5	COMPRESSOR ONLY	1 YR	PARTS & LABOR
TAYWAR0008	1-5	COMPRESSOR ONLY	5 YR	LABOR ONLY
TAYWAR0007 ^{①②}	1-5	COMPRESSOR ONLY	10 YR	PARTS ONLY
TAYWAR0009 ^②	1-5	COMPRESSOR ONLY	10 YR	LABOR ONLY
TAYWAR0010 ^{①②}	1-5	COMPRESSOR ONLY	10 YR	PARTS & LABOR

Obsolete for models with a ten (10) year Limited Warranty on the Compressor
All XB units and "M" Package Units are not eligible if installed or initial warranty sale date is after 10/01/2001.

Great care has been taken to ensure the accuracy of the information in the Extended Warranty section of the 2007 Trane Product Catalog. However, the information in the Trane Optional Extended Warranty Handbook (Publication No. 26-1019) supersedes all information contained herein.



1 — 5 Ton Furnace, Air Handler & Heat Exchanger Warranties

Extended Warranties Residential Application

These Optional Extended Warranties apply to Trane furnaces, air handlers and heat exchangers when installed in Residential Applications. A new Trane evaporator coil and thermostat are covered only if installed at the same time or air handler and identified on the Agreement. Heat Exchanger warranties cover only the Heat Exchanger.

One (1) -year warranties apply to equipment less than five (5) years old and can be renewed each year until the equipment is ten (10) years old when accepted by the Extended Warranty Department. Five (5)- through twenty (20) -year warranties expire five (5) through twenty (20) years from the installation date of the covered equipment no matter when purchased.

Equipment installed within 1 mile of salt water or environment with high sulfur content should use the "S" warranty models. The Warranty would be the same as below with an "S" in the 7th digit instead of the "0" below. For example, use TAYWARS011 instead of TAYWAR0011.

WARRANTY #	TONS	DESCRIPTION	TERM	COVERAGE
TAYWAR0232	1-5	FURNACE OR AIR HANDLER	1 YR	PARTS ONLY
TAYWAR0273	1-5	VARIABLE SPEED FURNACE OR AIR HANDLER	1 YR	PARTS ONLY
TAYWAR0047	1-5	FURNACE OR AIR HANDLER	1 YR	PARTS & LABOR
TAYWAR0274	1-5	VARIABLE SPEED FURNACE OR AIR HANDLER	1 YR	PARTS & LABOR
TAYWAR0091 ^①	1-5	FURNACE OR AIR HANDLER	5 YR	PARTS ONLY
TAYWAR0275 ^①	1-5	VARIABLE SPEED FURNACE OR AIR HANDLER	5 YR	PARTS ONLY
TAYWAR0011	1-5	FURNACE OR AIR HANDLER	5 YR	PARTS & LABOR
TAYWAR0276	1-5	VARIABLE SPEED FURNACE OR AIR HANDLER	5 YR	PARTS & LABOR
TAYWAR0402	1-5	FURNACE OR AIR HANDLER	5 YR	PARTS & LABOR
TAYWAR0403	1-5	VARIABLE SPEED FURNACE OR AIR HANDLER	5 YR	PARTS & LABOR
TAYWAR0092 ^②	1-5	FURNACE OR AIR HANDLER	10 YR	PARTS ONLY
TAYWAR0277 ^②	1-5	VARIABLE SPEED FURNACE OR AIR HANDLER	10 YR	PARTS ONLY
TAYWAR0012 ^②	1-5	FURNACE OR AIR HANDLER	10 YR	PARTS & LABOR
TAYWAR0278 ^②	1-5	VARIABLE SPEED FURNACE OR AIR HANDLER	10 YR	PARTS & LABOR
TAYWAR0404	1-5	FURNACE OR AIR HANDLER	10 YR	PARTS & LABOR
TAYWAR0405	1-5	VARIABLE SPEED FURNACE	10 YR	PARTS & LABOR
TAYWAR0137 ^②	1-5	FURNACE OR AIR HANDLER	15 YR	PARTS ONLY
TAYWAR0288 ^②	1-5	VARIABLE SPEED FURNACE OR AIR HANDLER	15 YR	PARTS ONLY
TAYWAR0013 ^②	1-5	FURNACE OR AIR HANDLER	15 YR	PARTS & LABOR
TAYWAR4086 ^②	1-5	FURNACE OR AIR HANDLER	11-15 YR	PARTS & LABOR
TAYWAR0289 ^②	1-5	VARIABLE SPEED FURNACE OR AIR HANDLER	15 YR	PARTS & LABOR
TAYWAR4087 ^②	1-5	VARIABLE SPEED FURNACE OR AIR HANDLER	11-15 YR	PARTS & LABOR
TAYWAR0331	1-5	HEAT EXCHANGER	10 YR	LABOR ONLY
TAYWAR0138	1-5	HEAT EXCHANGER	10 YR	PARTS & LABOR
TAYWAR0034	1-5	HEAT EXCHANGER	15 YR	PARTS ONLY
TAYWAR0139	1-5	HEAT EXCHANGER	15 YR	PARTS & LABOR
TAYWAR0108	1-5	HEAT EXCHANGER	20 YR	PARTS ONLY

Obsolete for Equipment with five (5) year Limited Warranty on all Functional Parts.
TUE/TDE furnaces and TVF, TWG air handlers are not eligible if installed or initial warranty sale date is after 10/01/2001.

Great care has been taken to ensure the accuracy of the information in the Extended Warranty section of the 2005 Trane Product Catalog. However, the information in the Trane Optional Extended Warranty Handbook (Publication No. 26-1019) supersedes all information contained herein.



1 — 25 Ton Complete System Warranties

Extended Warranties Commercial Application

These Optional Extended Warranties apply to complete systems when installed in Commercial Applications. Coverage includes Trane condensing unit, thermostat and air handler or furnace with evaporator coil if identified on the Agreement.

One (1) -year warranties apply to equipment less than five (5) years old and can be renewed each year until the equipment is ten (10) years old when accepted by the Extended Warranty Department. Five (5)- and ten (10) -year warranties expire five (5) or ten (10) years from the installation date of the covered equipment no matter when purchased.

Equipment installed within 1 mile of salt water or environment with high sulfur content should use the “S” warranty models. The Warranty would be the same as below with an “S” in the 7th digit instead of the “0” below. For example, use TAYWARS146 instead of TAYWAR0146.

WARRANTY #	TONS	DESCRIPTION	TERM	COVERAGE
TAYWAR0141	1-5	PACKAGE OR SPLIT SYSTEM	1 YR	PARTS ONLY
TAYWAR0142	1-5	PACKAGE OR SPLIT SYSTEM	1 YR	PARTS & LABOR
TAYWAR0143	1-5	PACKAGE OR SPLIT SYSTEM	5 YR	PARTS ONLY
TAYWAR0144	1-5	PACKAGE OR SPLIT SYSTEM	5 YR	PARTS & LABOR
TAYWAR0145①	1-5	PACKAGE OR SPLIT SYSTEM	10 YR	PARTS ONLY
TAYWAR0146①	1-5	PACKAGE OR SPLIT SYSTEM	10 YR	PARTS & LABOR
TAYWAR0153	1-5	XV - PACKAGE OR SPLIT SYSTEM	1 YR	PARTS ONLY
TAYWAR0154	1-5	XV - PACKAGE OR SPLIT SYSTEM	1 YR	PARTS & LABOR
TAYWAR0325	3-6	II ⁺ - SPLIT SYSTEM	1 YR	PARTS & LABOR
TAYWAR0326	3-6	II ⁺ - SPLIT SYSTEM	5 YR	PARTS & LABOR
TAYWAR0327	3-6	II ⁺ - SPLIT SYSTEM	10 YR	PARTS & LABOR
TAYWAR0159	6.25-7.50	PACKAGE UNIT	1 YR	PARTS ONLY
TAYWAR0052	6.25-7.50	PACKAGE UNIT	1 YR	PARTS & LABOR
TAYWAR0095	6.25-7.50	PACKAGE UNIT	5 YR	PARTS ONLY
TAYWAR0016	6.25-7.50	PACKAGE UNIT	5 YR	PARTS & LABOR
TAYWAR4003	6.25-7.50	PACKAGE UNIT	10 YR	PARTS & LABOR
TAYWAR4093	6.25-7.50	PACKAGE UNIT + ECONOMIZER	10 YR	PARTS & LABOR
TAYWAR0160	6.25-7.50	SPLIT SYSTEM	1 YR	PARTS ONLY
TAYWAR0058	6.25-7.50	SPLIT SYSTEM	1 YR	PARTS & LABOR
TAYWAR0101	6.25-7.50	SPLIT SYSTEM	5 YR	PARTS ONLY
TAYWAR0022	6.25-7.50	SPLIT SYSTEM	5 YR	PARTS & LABOR
TAYWAR4004	6.25-7.50	SPLIT SYSTEM	10 YR	PARTS & LABOR
TAYWAR4094	6.25-7.50	SPLIT SYSTEM + ECONOMIZER	10 YR	PARTS & LABOR
TAYWAR0161	8.50-10	PACKAGE UNIT	1 YR	PARTS ONLY
TAYWAR0053	8.50-10	PACKAGE UNIT	1 YR	PARTS & LABOR
TAYWAR0096	8.50-10	PACKAGE UNIT	5 YR	PARTS ONLY
TAYWAR0017	8.50-10	PACKAGE UNIT	5 YR	PARTS & LABOR
TAYWAR4057	8.50-10	PACKAGE UNIT	10 YR	PARTS & LABOR
TAYWAR4095	8.50-10	PACKAGE UNIT + ECONOMIZER	10 YR	PARTS & LABOR
TAYWAR0162	8.50-10	SPLIT SYSTEM	1 YR	PARTS ONLY
TAYWAR0059	8.50-10	SPLIT SYSTEM	1 YR	PARTS & LABOR
TAYWAR0102	8.50-10	SPLIT SYSTEM	5 YR	PARTS ONLY
TAYWAR0023	8.50-10	SPLIT SYSTEM	5 YR	PARTS & LABOR
TAYWAR4060	8.50-10	SPLIT SYSTEM	10 YR	PARTS & LABOR
TAYWAR4096	8.50-10	SPLIT SYSTEM + ECONOMIZER	10 YR	PARTS & LABOR

All XB units are not eligible if installed or initial warranty sale date is after 10/01/2001.

Great care has been taken to ensure the accuracy of the information in the Extended Warranty section of the 2007 Trane Product Catalog. However, the information in the Trane Optional Extended Warranty Handbook (Publication No. 26-1019) supersedes all information contained herein.



1 — 25 Ton Complete System Warranties

Extended Warranties Commercial Application

These Optional Extended Warranties apply to complete systems when installed in Commercial Applications. Coverage includes Trane condensing unit, thermostat and air handler or furnace with evaporator coil and identified on the Agreement.

One (1) -year warranties apply to equipment less than five (5) years old and can be renewed each year until the equipment is ten (10) years old when accepted by the Extended Warranty Department. Five (5)- and ten (10) -year warranties expire five (5) or ten (10) years from the installation date of the covered equipment no matter when purchased.

Equipment installed within 1 mile of salt water or environment with high sulfur content should use the “S” warranty models. The Warranty would be the same as below with an “S” in the 7th digit instead of the “0” below. For example, use TAYWARS163 instead of TAYWAR0163.

WARRANTY #	TONS	DESCRIPTION	TERM	COVERAGE
TAYWAR0163	12.50	PACKAGE UNIT	1 YR	PARTS ONLY
TAYWAR0054	12.50	PACKAGE UNIT	1 YR	PARTS & LABOR
TAYWAR0097	12.50	PACKAGE UNIT	5 YR	PARTS ONLY
TAYWAR0018	12.50	PACKAGE UNIT	5 YR	PARTS & LABOR
TAYWAR4058	12.50	PACKAGE UNIT	10 YR	PARTS & LABOR
TAYWAR4148	12.50	PACKAGE UNIT + ECONOMIZER	10 YR	PARTS & LABOR
TAYWAR0164	12.50	SPLIT SYSTEM	1 YR	PARTS ONLY
TAYWAR0060	12.50	SPLIT SYSTEM	1 YR	PARTS & LABOR
TAYWAR0103	12.50	SPLIT SYSTEM	5 YR	PARTS ONLY
TAYWAR0024	12.50	SPLIT SYSTEM	5 YR	PARTS & LABOR
TAYWAR4098	12.50	SPLIT SYSTEM	10 YR	PARTS & LABOR
TAYWAR0165	15 - 17.50	PACKAGE UNIT	1 YR	PARTS ONLY
TAYWAR0055	15 - 17.50	PACKAGE UNIT	1 YR	PARTS & LABOR
TAYWAR0098	15 - 17.50	PACKAGE UNIT	5 YR	PARTS ONLY
TAYWAR0019	15 - 17.50	PACKAGE UNIT	5 YR	PARTS & LABOR
TAYWAR4059	15 - 17.50	PACKAGE UNIT	10 YR	PARTS & LABOR
TAYWAR4124	15 - 17.50	PACKAGE UNIT + ECONOMIZER	10 YR	PARTS & LABOR
TAYWAR0166	15 - 17.50	SPLIT SYSTEM	1 YR	PARTS ONLY
TAYWAR0061	15 - 17.50	SPLIT SYSTEM	1 YR	PARTS & LABOR
TAYWAR0104	15 - 17.50	SPLIT SYSTEM	5 YR	PARTS ONLY
TAYWAR0025	15 - 17.50	SPLIT SYSTEM	5 YR	PARTS & LABOR
TAYWAR4099	15 - 17.50	SPLIT SYSTEM	10 YR	PARTS & LABOR
TAYWAR0167	20	PACKAGE UNIT	1 YR	PARTS ONLY
TAYWAR0056	20	PACKAGE UNIT	1 YR	PARTS & LABOR
TAYWAR0099	20	PACKAGE UNIT	5 YR	PARTS ONLY
TAYWAR0020	20	PACKAGE UNIT	5 YR	PARTS & LABOR
TAYWAR4082	20	PACKAGE UNIT	10 YR	PARTS & LABOR
TAYWAR0168	20	SPLIT SYSTEM	1 YR	PARTS ONLY
TAYWAR0062	20	SPLIT SYSTEM	1 YR	PARTS & LABOR
TAYWAR0105	20	SPLIT SYSTEM	5 YR	PARTS ONLY
TAYWAR0026	20	SPLIT SYSTEM	5 YR	PARTS & LABOR
TAYWAR4100	20	SPLIT SYSTEM	10 YR	PARTS & LABOR
TAYWAR0169	25	PACKAGE UNIT	1 YR	PARTS ONLY
TAYWAR0057	25	PACKAGE UNIT	1 YR	PARTS & LABOR
TAYWAR0100	25	PACKAGE UNIT	5 YR	PARTS ONLY
TAYWAR0021	25	PACKAGE UNIT	5 YR	PARTS & LABOR
TAYWAR4083	25	PACKAGE UNIT	10 YR	PARTS & LABOR

Great care has been taken to ensure the accuracy of the information in the Extended Warranty section of the 2005 Trane Product Catalog. However, the information in the Trane Optional Extended Warranty Handbook (Publication No. 26-1019) supersedes all information contained herein.



1 — 20 Ton Condensing Unit Warranties

Extended Warranties Commercial Application

These Optional Extended Warranties apply to condensing units only when installed in Commercial Applications. Coverage includes a new Trane evaporator coil and thermostat only if installed at the same time and identified on the Agreement.

One (1) -year warranties apply to equipment less than five (5) years old and can be renewed each year until the equipment is ten (10) years old when accepted by the Extended Warranty Department. Five (5)- and ten (10) -year warranties expire five (5) or ten (10) years from the installation date of the covered equipment no matter when purchased.

Equipment installed within 1 mile of salt water or environment with high sulfur content should use the “S” warranty models. The Warranty would be the same as below with an “S” in the 7th digit instead of the “0” below. For example, use TAYWARS170 instead of TAYWAR0170.

WARRANTY #	TONS	DESCRIPTION	TERM	COVERAGE
TAYWAR0170	1-5	CONDENSING UNIT	1 YR	PARTS ONLY
TAYWAR0171	1-5	CONDENSING UNIT	1 YR	PARTS & LABOR
TAYWAR0172	1-5	CONDENSING UNIT	5 YR	PARTS ONLY
TAYWAR0173	1-5	CONDENSING UNIT	5 YR	PARTS & LABOR
TAYWAR0174①	1-5	CONDENSING UNIT	10 YR	PARTS ONLY
TAYWAR0175①	1-5	CONDENSING UNIT	10 YR	PARTS & LABOR
TAYWAR0182	1-5	XV - CONDENSING UNIT	1 YR	PARTS ONLY
TAYWAR0183	1-5	XV - CONDENSING UNIT	1 YR	PARTS & LABOR
TAYWAR0188	6.25 - 7.50	CONDENSING UNIT	1 YR	PARTS ONLY
TAYWAR0189	6.25 - 7.50	CONDENSING UNIT	1 YR	PARTS & LABOR
TAYWAR0190	6.25 - 7.50	CONDENSING UNIT	5 YR	PARTS ONLY
TAYWAR0191	6.25 - 7.50	CONDENSING UNIT	5 YR	PARTS & LABOR
TAYWAR4072	6.25 - 7.50	CONDENSING UNIT	10 YR	PARTS & LABOR
TAYWAR0192	8.50 - 10	CONDENSING UNIT	1 YR	PARTS ONLY
TAYWAR0193	8.50 - 10	CONDENSING UNIT	1 YR	PARTS & LABOR
TAYWAR0194	8.50 - 10	CONDENSING UNIT	5 YR	PARTS ONLY
TAYWAR0195	8.50 - 10	CONDENSING UNIT	5 YR	PARTS & LABOR
TAYWAR4107	8.50 - 10	CONDENSING UNIT	10 YR	PARTS & LABOR
TAYWAR0196	12.50	CONDENSING UNIT	1 YR	PARTS ONLY
TAYWAR0197	12.50	CONDENSING UNIT	1 YR	PARTS & LABOR
TAYWAR0198	12.50	CONDENSING UNIT	5 YR	PARTS ONLY
TAYWAR0199	12.50	CONDENSING UNIT	5 YR	PARTS & LABOR
TAYWAR4108	12.50	CONDENSING UNIT	10 YR	PARTS & LABOR
TAYWAR0200	15 - 17.50	CONDENSING UNIT	1 YR	PARTS ONLY
TAYWAR0201	15 - 17.50	CONDENSING UNIT	1 YR	PARTS & LABOR
TAYWAR0202	15 - 17.50	CONDENSING UNIT	5 YR	PARTS ONLY
TAYWAR0203	15 - 17.50	CONDENSING UNIT	5 YR	PARTS & LABOR
TAYWAR4109	15 - 17.50	CONDENSING UNIT	10 YR	PARTS & LABOR
TAYWAR0204	20	CONDENSING UNIT	1 YR	PARTS ONLY
TAYWAR0205	20	CONDENSING UNIT	1 YR	PARTS & LABOR
TAYWAR0207	20	CONDENSING UNIT	5 YR	PARTS ONLY
TAYWAR0257	20	CONDENSING UNIT	5 YR	PARTS & LABOR
TAYWAR4110	20	CONDENSING UNIT	10 YR	PARTS & LABOR

All XB Units are not eligible if installed or initial warranty sale date is after 10/01/2001

Great care has been taken to ensure the accuracy of the information in the Extended Warranty section of the 2007 Trane Product Catalog. However, the information in the Trane Optional Extended Warranty Handbook (Publication No. 26-1019) supersedes all information contained herein.



1 — 25 Ton Compressor Only Warranties

Extended Warranties Commercial Application

These Optional Extended Warranties apply to compressors in Trane equipment when installed in Commercial Applications.

One (1) -year warranties apply to equipment less than five (5) years old and can be renewed each year until the equipment is ten (10) years old when accepted by the Extended Warranty Department. Five (5)- and ten (10) -year warranties expire five (5) or ten (10) years from the installation date of the covered equipment no matter when purchased.

Equipment installed within 1 mile of salt water or environment with high sulfur content should use the "S" warranty models. The Warranty would be the same as below with an "S" in the 7th digit instead of the "0" below. For example, use TAYWARS208 instead of TAYWAR0208.

WARRANTY #	TONS	DESCRIPTION	TERM	COVERAGE
TAYWAR0208	1-5	COMPRESSOR ONLY	1 YR	PARTS ONLY
TAYWAR0209	1-5	COMPRESSOR ONLY	1 YR	LABOR ONLY
TAYWAR0210	1-5	COMPRESSOR ONLY	1 YR	PARTS & LABOR
TAYWAR0256	1-5	COMPRESSOR ONLY	5 YR	LABOR ONLY
TAYWAR0211 ^{①②}	1-5	COMPRESSOR ONLY	10 YR	PARTS ONLY
TAYWAR0212 ^{①②}	1-5	COMPRESSOR ONLY	10 YR	LABOR ONLY
TAYWAR0213 ^{①②}	1-5	COMPRESSOR ONLY	10 YR	PARTS & LABOR
TAYWAR0214	6.25 - 7.50	COMPRESSOR ONLY	1 YR	PARTS ONLY
TAYWAR0215	6.25 - 7.50	COMPRESSOR ONLY	1 YR	PARTS & LABOR
TAYWAR0216	6.25 - 7.50	COMPRESSOR ONLY	5 YR	LABOR ONLY
TAYWAR4071	6.25 - 7.50	COMPRESSOR ONLY	10 YR	PARTS ONLY
TAYWAR0217	8.50 - 10	COMPRESSOR ONLY	1 YR	PARTS ONLY
TAYWAR0218	8.50 - 10	COMPRESSOR ONLY	1 YR	PARTS & LABOR
TAYWAR0219	8.50 - 10	COMPRESSOR ONLY	5 YR	LABOR ONLY
TAYWAR4039	8.50 -10	COMPRESSOR ONLY	10 YR	PARTS ONLY
TAYWAR0220	12.50	COMPRESSOR ONLY	1 YR	PARTS ONLY
TAYWAR0221	12.50	COMPRESSOR ONLY	1 YR	PARTS & LABOR
TAYWAR0222	12.50	COMPRESSOR ONLY	5 YR	LABOR ONLY
TAYWAR4040	12.50	COMPRESSOR ONLY	10 YR	PARTS ONLY
TAYWAR0223	15 - 17.50	COMPRESSOR ONLY	1 YR	PARTS ONLY
TAYWAR0224	15 - 17.50	COMPRESSOR ONLY	1 YR	PARTS & LABOR
TAYWAR0225	15 - 17.50	COMPRESSOR ONLY	5 YR	LABOR ONLY
TAYWAR4041	15 - 25	COMPRESSOR ONLY	10 YR	PARTS ONLY
TAYWAR0226	20	COMPRESSOR ONLY	1 YR	PARTS ONLY
TAYWAR0227	20	COMPRESSOR ONLY	1 YR	PARTS & LABOR
TAYWAR0030	20	COMPRESSOR ONLY	5 YR	PARTS ONLY
TAYWAR0228	20	COMPRESSOR ONLY	5 YR	LABOR ONLY
TAYWAR0229	25	COMPRESSOR ONLY	1 YR	PARTS ONLY
TAYWAR0230	25	COMPRESSOR ONLY	1 YR	PARTS & LABOR
TAYWAR0031	25	COMPRESSOR ONLY	5 YR	PARTS ONLY
TAYWAR0231	25	COMPRESSOR ONLY	5 YR	LABOR ONLY

Obsolete for Trane accessories installed or initial warranty sale date is after 10/01/02.
All XB units and "M" Package Units are not eligible if installed or initial warranty sale date is after 10/01/2001.

Great care has been taken to ensure the accuracy of the information in the Extended Warranty section of the 2005 Trane Product Catalog. However, the information in the Trane Optional Extended Warranty Handbook (Publication No. 26-1019) supersedes all information contained herein.



1 — 25 Ton Furnace, Air Handler & Heat Exchanger Warranties

Extended Warranties Commercial Application

These Optional Extended Warranties apply to Trane furnaces, air handlers and heat exchangers when installed in Commercial Applications. A new Trane evaporator coil and thermostat are covered only if installed at the same time and identified on the Agreement. Heat Exchanger warranties cover only the Heat Exchanger.

One (1) -year warranties apply to equipment less than five (5) years old and can be renewed each year until the equipment is ten (10) years old when accepted by the Extended Warranty Department. Five (5)- through twenty -(20) year warranties expire five (5) through twenty (20) years from the installation of the covered equipment no matter when purchased.

Equipment installed within 1 mile of salt water or environment with high sulfur content should use the "S" warranty models. The Warranty would be the same as below with an "S" in the 7th digit instead of the "0" below. For example, use TAYWARS233 instead of TAYWAR0233.

WARRANTY #	TONS	DESCRIPTION	TERM	COVERAGE
TAYWAR0233	1-5	FURNACE OR AIR HANDLER	1 YR	PARTS ONLY
TAYWAR0279	1-5	VARIABLE SPEED FURNACE OR AIR HANDLER	1 YR	PARTS ONLY
TAYWAR0234	1-5	FURNACE OR AIR HANDLER	1 YR	PARTS & LABOR
TAYWAR0280	1-5	VARIABLE SPEED FURNACE OR AIR HANDLER	1 YR	PARTS & LABOR
TAYWAR0235	1-5	FURNACE OR AIR HANDLER	5 YR	PARTS ONLY
TAYWAR0281	1-5	VARIABLE SPEED FURNACE OR AIR HANDLER	5 YR	PARTS ONLY
TAYWAR0236	1-5	FURNACE OR AIR HANDLER	5 YR	PARTS & LABOR
TAYWAR0282	1-5	VARIABLE SPEED FURNACE OR AIR HANDLER	5 YR	PARTS & LABOR
TAYWAR0237 ^①	1-5	FURNACE OR AIR HANDLER	10 YR	PARTS ONLY
TAYWAR0283 ^①	1-5	VARIABLE SPEED FURNACE OR AIR HANDLER	10 YR	PARTS ONLY
TAYWAR0238 ^①	1-5	FURNACE OR AIR HANDLER	10 YR	PARTS & LABOR
TAYWAR0284 ^①	1-5	VARIABLE SPEED FURNACE OR AIR HANDLER	10 YR	PARTS & LABOR
TAYWAR0239 ^①	1-5	FURNACE OR AIR HANDLER	15 YR	PARTS ONLY
TAYWAR0290 ^①	1-5	VARIABLE SPEED FURNACE OR AIR HANDLER	15 YR	PARTS ONLY
TAYWAR0240 ^①	1-5	FURNACE OR AIR HANDLER	15 YR	PARTS & LABOR
TAYWAR0291 ^①	1-5	VARIABLE SPEED FURNACE OR AIR HANDLER	15 YR	PARTS & LABOR
TAYWAR0241	1-5	HEAT EXCHANGER	10 YR	PARTS ONLY
TAYWAR0334	1-5	HEAT EXCHANGER	10 YR	LABOR ONLY
TAYWAR0242	1-5	HEAT EXCHANGER	10 YR	PARTS & LABOR
TAYWAR0243	1-5	HEAT EXCHANGER	15 YR	PARTS ONLY
TAYWAR0244	1-5	HEAT EXCHANGER	15 YR	PARTS & LABOR
TAYWAR0245	1-5	HEAT EXCHANGER	20 YR	PARTS ONLY
TAYWAR0035	6.25 - 12.50	HEAT EXCHANGER	10 YR	PARTS ONLY
TAYWAR0247	6.25 - 12.50	HEAT EXCHANGER	10 YR	PARTS & LABOR
TAYWAR0036	6.25 - 12.50	HEAT EXCHANGER	15 YR	PARTS ONLY
TAYWAR0248	6.25 - 12.50	HEAT EXCHANGER	15 YR	PARTS & LABOR

TUE/TDE furnaces and TVF, TWG air handlers are not eligible if installed or initial warranty sale date is after 10/01/2001.

Great care has been taken to ensure the accuracy of the information in the Extended Warranty section of the 2007 Trane Product Catalog. However, the information in the Trane Optional Extended Warranty Handbook (Publication No. 26-1019) supersedes all information contained herein.



1 — 25 Ton Furnace, Air Handler & Heat Exchanger Warranties

Extended Warranties Commercial Application

These Optional Extended Warranties apply to furnaces, air handlers and heat exchangers when installed in Commercial Applications. A new Trane evaporator coil and thermostat are covered only if installed at the same time and identified on the Agreement. Heat Exchanger warranties cover only the Heat Exchanger.

One (1) -year warranties apply to equipment less than five (5) years old and can be renewed each year until the equipment is ten (10) years old when accepted by the Extended Warranty Department. Five (5)- through twenty (20) -year warranties expire five (5) through twenty (20) years from the installation date of the covered equipment no matter when purchased.

Equipment installed within 1 mile of salt water or environment with high sulfur content should use the "S" warranty models. The Warranty would be the same as below with an "S" in the 7th digit instead of the "0" below. For example, use TAYWARS269 instead of TAYWAR0269.

WARRANTY #	TONS	DESCRIPTION	TERM	COVERAGE
TAYWAR0269	6.25 - 20	AIR HANDLER	1 YR	PARTS ONLY
TAYWAR0270	6.25 - 20	AIR HANDLER	1 YR	PARTS & LABOR
TAYWAR0271	6.25 - 20	AIR HANDLER	5 YR	PARTS ONLY
TAYWAR0272	6.25 - 20	AIR HANDLER	5 YR	PARTS & LABOR
TAYWAR0037	15 - 17.50	HEAT EXCHANGER	10 YR	PARTS ONLY
TAYWAR0249	15 - 17.50	HEAT EXCHANGER	10 YR	PARTS & LABOR
TAYWAR0038	15 - 17.50	HEAT EXCHANGER	15 YR	PARTS ONLY
TAYWAR0250	15 - 17.50	HEAT EXCHANGER	15 YR	PARTS & LABOR
TAYWAR0039	20	HEAT EXCHANGER	5 YR	PARTS ONLY
TAYWAR0251	20	HEAT EXCHANGER	5 YR	PARTS & LABOR
TAYWAR0040	20	HEAT EXCHANGER	10 YR	PARTS ONLY
TAYWAR0252	20	HEAT EXCHANGER	10 YR	PARTS & LABOR
TAYWAR0041	25	HEAT EXCHANGER	5 YR	PARTS ONLY
TAYWAR0253	25	HEAT EXCHANGER	5 YR	PARTS & LABOR
TAYWAR0042	25	HEAT EXCHANGER	10 YR	PARTS ONLY
TAYWAR0254	25	HEAT EXCHANGER	10 YR	PARTS & LABOR

Great care has been taken to ensure the accuracy of the information in the Extended Warranty section of the 2005 Trane Product Catalog. However, the information in the Trane Optional Extended Warranty Handbook (Publication No. 26-1019) supersedes all information contained herein.



1 — 25 Ton Accessory Warranties

Extended Warranties Residential or Commercial Application

These Optional Extended Warranties apply to accessories that are installed in Residential or Commercial Applications.

One (1) -year warranties apply to equipment less than five (5) years old and can be renewed each year until the equipment is ten (10) years old when accepted by the Extended Warranty Department. Five (5)- through (15) -year warranties expire five (5) through fifteen (15) years from the installation date of the covered equipment no matter when purchased.

Equipment installed within 1 mile of salt water or environment with high sulfur content should use the "S" warranty models. The Warranty would be the same as below with an "S" in the 7th digit instead of the "0" below. For example, use TAYWARS048 instead of TAYWAR0048.

WARRANTY #	TONS	DESCRIPTION	TERM	COVERAGE
TAYWAR0048	ALL	TRANE ELECTRONIC AIR CLEANER	1 YR	PARTS & LABOR
TAYWAR0093①	ALL	TRANE ELECTRONIC AIR CLEANER	5 YR	PARTS ONLY
TAYWAR0014	ALL	TRANE ELECTRONIC AIR CLEANER	5 YR	PARTS & LABOR
TAYWAR0094	ALL	TRANE ELECTRONIC AIR CLEANER	10 YR	PARTS ONLY
TAYWAR0015	ALL	TRANE ELECTRONIC AIR CLEANER	10 YR	PARTS & LABOR
TAYWAR0076③	1-5	PROGRAMMABLE THERMOSTAT	1 YR	PARTS & LABOR
TAYWAR0077③	1-5	PROGRAMMABLE THERMOSTAT	5 YR	PARTS & LABOR
TAYWAR0078③	1-5	PROGRAMMABLE THERMOSTAT	10 YR	PARTS & LABOR
TAYWAR0293③	1-25	NON-PROGRAMMABLE THERMOSTAT	1 YR	PARTS & LABOR
TAYWAR0294③	1-25	NON-PROGRAMMABLE THERMOSTAT	5 YR	PARTS & LABOR
TAYWAR0295③	1-5	NON-PROGRAMMABLE THERMOSTAT	10 YR	PARTS & LABOR
TAYWAR0296③	1-5	NON-PROGRAMMABLE THERMOSTAT	15 YR	PARTS & LABOR
TAYWAR0285③	6-25	PROGRAMMABLE THERMOSTAT	1 YR	PARTS & LABOR
TAYWAR0109③	6-25	PROGRAMMABLE THERMOSTAT	5 YR	PARTS & LABOR
TAYWAR0080	1-5	HOT WATER BANK (ECU ONLY)	1 YR	PARTS & LABOR
TAYWAR0079	1-5	HOT WATER BANK (ECU ONLY)	5 YR	PARTS & LABOR
TAYWAR0043	3-25	UNITARY CONTROL PROCESSOR	5 YR	PARTS ONLY
TAYWAR0286④	5-25	ECONOMIZER	1 YR	PARTS & LABOR
TAYWAR0107④	5-25	ECONOMIZER	5 YR	PARTS ONLY
TAYWAR0032④	5-25	ECONOMIZER	5 YR	PARTS & LABOR
TAYWAR4061④	3-25	ECONOMIZER	10 YR	PARTS & LABOR
TAYWAR0260③	1-5	EVAPORATOR COIL	1 YR	PARTS ONLY
TAYWAR0261③	1-5	EVAPORATOR COIL	1 YR	PARTS & LABOR
TAYWAR0262①	1-5	EVAPORATOR COIL	5 YR	PARTS ONLY
TAYWAR0263③	1-5	EVAPORATOR COIL	5 YR	PARTS & LABOR
TAYWAR0264②③	1-5	EVAPORATOR COIL	10 YR	PARTS ONLY
TAYWAR0265②③	1-5	EVAPORATOR COIL	10 YR	PARTS & LABOR
TAYWAR0267	1-5	INTEGRATED ZONE SYSTEM	5 YR	PARTS & LABOR
TAYWAR0268	1-5	INTEGRATED ZONE SYSTEM	10 YR	PARTS & LABOR

Obsolete for Trane accessories installed or initial warranty sale date is after 10/01/2001.

Not available on CCB/CUB coils if installed or initial warranty sale date is after 10/01/2001.

Can be used to cover 3rd party equipment if installed with Trane equipment.

In addition to the system extended warranty coverage, all factory installed economizers in 5-25 ton equipment must have separate extended warranty coverage.

Great care has been taken to ensure the accuracy of the information in the Extended Warranty section of the 2007 Trane Product Catalog. However, the information in the Trane Optional Extended Warranty Handbook (Publication No. 26-1019) supersedes all information contained herein.



1 – 25 Ton National Account Warranties

Extended Warranties Commercial Application

These Optional Extended Warranties provides labor coverage from installation/startup on covered repairs. Warranties must be purchased at the time of the equipment installation. A National Account is defined as a major purchaser of Trane equipment whose distribution activities extend into the primary sales area of more than one center or distributor. Although primarily intended for National Accounts, these Extended Warranties may be purchased by any dealer desiring the coverage provided by them.

Note: TAYWAR0363 - 0374 Coverage includes thermostat and economizer

Equipment installed within 1 mile of salt water or environment with high sulfur content should use the “S” warranty models. The Warranty would be the same as below with an “S” in the 7th digit instead of the “0” below. For example, use TAYWARS064 instead of TAYWAR0064.

WARRANTY #	TONS	DESCRIPTION	TERM	COVERAGE
TAYWAR0064	1-5	CONDENSING UNIT	1 YR	LABOR ONLY
TAYWAR0065	1-5	PACKAGE OR SPLIT SYSTEM	1 YR	LABOR ONLY
TAYWAR0066	1-5	AIR HANDLER	1 YR	LABOR ONLY
TAYWAR0067	1-5	GAS/ELECTRIC UNIT	1 YR	LABOR ONLY
TAYWAR0068	1-5	FURNACE	1 YR	LABOR ONLY
TAYWAR0363	1-5	PACKAGE OR SPLIT SYSTEM	5 YR	PARTS & LABOR
TAYWAR0069	ALL	TRANE ELECTRONIC AIR CLEANER	1 YR	LABOR ONLY
TAYWAR0364	6.25 - 7.50	PACKAGE UNIT	5 YR	PARTS & LABOR
TAYWAR0365	6.25 - 7.50	SPLIT SYSTEM	5 YR	PARTS & LABOR
TAYWAR0070	6.25 - 7.50	PACKAGE OR SPLIT SYSTEM	1 YR	LABOR ONLY
TAYWAR0366	8.50 - 10	PACKAGE UNIT	5 YR	PARTS & LABOR
TAYWAR0367	8.50 - 10	SPLIT SYSTEM	5 YR	PARTS & LABOR
TAYWAR0071	8.50 - 10	PACKAGE OR SPLIT SYSTEM	1 YR	LABOR ONLY
TAYWAR0072	12.50	PACKAGE OR SPLIT SYSTEM	1 YR	LABOR ONLY
TAYWAR0368	12.50	PACKAGE UNIT	5 YR	PARTS & LABOR
TAYWAR0369	12.50	SPLIT SYSTEM	5 YR	PARTS & LABOR
TAYWAR0073	15 - 17.50	PACKAGE OR SPLIT SYSTEM	1 YR	LABOR ONLY
TAYWAR0370	15 - 17.50	PACKAGE UNIT	5 YR	PARTS & LABOR
TAYWAR0371	15 - 17.50	SPLIT SYSTEM	5 YR	PARTS & LABOR
TAYWAR0074	20	PACKAGE OR SPLIT SYSTEM	1 YR	LABOR ONLY
TAYWAR4042	20	COMPRESSOR ONLY	1 YR	LABOR ONLY
TAYWAR0372	20	PACKAGE UNIT	5 YR	PARTS & LABOR
TAYWAR0373	20	SPLIT SYSTEM	5 YR	PARTS & LABOR
TAYWAR0075	25	PACKAGE OR SPLIT SYSTEM	1 YR	LABOR ONLY
TAYWAR0374	25	PACKAGE UNIT	5 YR	PARTS & LABOR

Great care has been taken to ensure the accuracy of the information in the Extended Warranty section of the 2005 Trane Product Catalog. However, the information in the Trane Optional Extended Warranty Handbook (Publication No. 26-1019) supersedes all information contained herein.



**1 — 6 Ton
Water Source
Compressor Only,
Package or Split System
Warranties**

**Extended
Warranties
Residential
Application**

These Optional Extended Warranties apply to Trane or Command-Aire complete Water Source package or split systems installed in Residential Applications. Coverage includes internal components within the system and thermostat, excludes the ground water loop.

Some warranties apply to compressors only used in Water Source systems installed in Residential Applications.

One (1) -year warranties apply to equipment less than five (5) years old and can be renewed each year until the equipment is ten (10) years old when accepted by the Extended Warranty Department. Five (5)- and ten (10) -year warranties expire five (5) or ten (10) years from the installation date of the covered equipment no matter when purchased.

Equipment installed within 1 mile of salt water or environment with high sulfur content should use the "S" warranty models. The Warranty would be the same as below with an "S" in the 7th digit instead of the "0" below. For example, use TAYWARS111 instead of TAYWAR0111.

WARRANTY #	TONS	DESCRIPTION	TERM	COVERAGE
TAYWAR0111	1-5	COMPRESSOR ONLY	1 YR	PARTS ONLY
TAYWAR0112	1-5	COMPRESSOR ONLY	1 YR	PARTS AND LABOR
TAYWAR0113	1-5	COMPRESSOR ONLY	10 YR	PARTS ONLY
TAYWAR0114	1-5	COMPRESSOR ONLY	10 YR	PARTS AND LABOR
TAYWAR0115	1-5	PACKAGE OR SPLIT SYSTEM	1 YR	PARTS ONLY
TAYWAR0116	1-5	PACKAGE OR SPLIT SYSTEM	1 YR	PARTS AND LABOR
TAYWAR0117	1-5	PACKAGE OR SPLIT SYSTEM	5 YR	PARTS ONLY
TAYWAR0118	1-5	PACKAGE OR SPLIT SYSTEM	5 YR	PARTS AND LABOR
TAYWAR0119	1-5	PACKAGE OR SPLIT SYSTEM	10 YR	PARTS ONLY
TAYWAR0255	1-5	PACKAGE OR SPLIT SYSTEM	10 YR	PARTS AND LABOR
TAYWAR0309	6	COMPRESSOR ONLY	1 YR	PARTS ONLY
TAYWAR0310	6	COMPRESSOR ONLY	1 YR	PARTS AND LABOR
TAYWAR0311	6	COMPRESSOR ONLY	10 YR	PARTS ONLY
TAYWAR0312	6	COMPRESSOR ONLY	10 YR	PARTS AND LABOR
TAYWAR0313	6	PACKAGE OR SPLIT SYSTEM	1 YR	PARTS ONLY
TAYWAR0314	6	PACKAGE OR SPLIT SYSTEM	1 YR	PARTS AND LABOR
TAYWAR0315	6	PACKAGE OR SPLIT SYSTEM	5 YR	PARTS ONLY
TAYWAR0316	6	PACKAGE OR SPLIT SYSTEM	5 YR	PARTS AND LABOR
TAYWAR0317	6	PACKAGE OR SPLIT SYSTEM	10 YR	PARTS ONLY
TAYWAR0318	6	PACKAGE OR SPLIT SYSTEM	10 YR	PARTS AND LABOR

Great care has been taken to ensure the accuracy of the information in the Extended Warranty section of the 2007 Trane Product Catalog. However, the information in the Trane Optional Extended Warranty Handbook (Publication No. 26-1019) supersedes all information contained herein.



**1 — 6 Ton
Water Source
Compressor Only,
Package or Split System
Warranties**

**Extended
Warranties
Commercial
Application**

These Optional Extended Warranties apply to Trane or Command-Aire complete Water Source package or split systems installed in Commercial Applications. Coverage includes internal components within the system and thermostat, excludes ground water loop. Some warranties apply to compressors only used in Water Source systems installed in Commercial Applications.

One (1) -year warranties apply to equipment less than five (5) years old and can be renewed each year until the equipment is ten (10) years old when accepted by the Extended Warranty Department. Five (5)- and ten (10) -year warranties expire 5 (five) or 10 (ten) years from the installation date of the covered equipment no matter when purchased.

Equipment installed within 1 mile of salt water or environment with high sulfur content should use the "S" warranty models. The Warranty would be the same as below with an "S" in the 7th digit instead of the "0" below. For example, use TAYWARS375 instead of TAYWAR0375.

WARRANTY #	TONS	DESCRIPTION	TERM	COVERAGE
TAYWAR0375	1-5	COMPRESSOR ONLY	1 YR	PARTS ONLY
TAYWAR0376	1-5	COMPRESSOR ONLY	1 YR	PARTS & LABOR
TAYWAR0377	1-5	COMPRESSOR ONLY	10 YR	PARTS ONLY
TAYWAR0378	1-5	COMPRESSOR ONLY	10 YR	PARTS & LABOR
TAYWAR0379	1-5	PACKAGE OR SPLIT SYSTEM	1 YR	PARTS ONLY
TAYWAR0380	1-5	PACKAGE OR SPLIT SYSTEM	1 YR	PARTS & LABOR
TAYWAR0381	1-5	PACKAGE OR SPLIT SYSTEM	5 YR	PARTS ONLY
TAYWAR0382	1-5	PACKAGE OR SPLIT SYSTEM	5 YR	PARTS & LABOR
TAYWAR0383	1-5	PACKAGE OR SPLIT SYSTEM	10 YR	PARTS ONLY
TAYWAR0384	1-5	PACKAGE OR SPLIT SYSTEM	10 YR	PARTS & LABOR
TAYWAR0385	6	COMPRESSOR ONLY	1 YR	PARTS ONLY
TAYWAR0386	6	COMPRESSOR ONLY	1 YR	PARTS & LABOR
TAYWAR0387	6	COMPRESSOR ONLY	10 YR	PARTS ONLY
TAYWAR0388	6	COMPRESSOR ONLY	10 YR	PARTS & LABOR
TAYWAR0389	6	PACKAGE OR SPLIT SYSTEM	1 YR	PARTS ONLY
TAYWAR0390	6	PACKAGE OR SPLIT SYSTEM	1 YR	PARTS AND LABOR
TAYWAR0391	6	PACKAGE OR SPLIT SYSTEM	5 YR	PARTS ONLY
TAYWAR0392	6	PACKAGE OR SPLIT SYSTEM	5 YR	PARTS AND LABOR
TAYWAR0393	6	PACKAGE OR SPLIT SYSTEM	10 YR	PARTS ONLY
TAYWAR0394	6	PACKAGE OR SPLIT SYSTEM	10 YR	PARTS AND LABOR

Great care has been taken to ensure the accuracy of the information in the Extended Warranty section of the 2005 Trane Product Catalog. However, the information in the Trane Optional Extended Warranty Handbook (Publication No. 26-1019) supersedes all information contained herein.



1 — 25 Ton No Mark-Up Warranties

Extended Warranties Residential or Commercial Application

These Optional Extended Warranties apply to the equipment noted in the description that are installed in Residential or Commercial Applications.

These warranties do not allow for any mark-ups on part. Servicer is reimbursed for the cost of the part based on the parts invoice. No-markup is paid on any part, whether in or out of warranty.

Five (5)- through twelve (12) -year warranties expire five (5) through twelve (12) years from the installation date of the covered equipment no matter when purchased.

WARRANTY #	TONS	DESCRIPTION	TERM	COVERAGE
TAYWAR4046②	1-5	CONDENSING UNIT ONLY	5 YR	PARTS ONLY
TAYWAR4075②	1-5	PACKAGE OR SPLIT SYSTEM	10 YR	PARTS ONLY
TAYWAR4077②	1-5	FURNACE OR AIR HANDLER	10 YR	PARTS ONLY
TAYWAR4078②	1-5	FURNACE OR AIR HANDLER, VARIABLE SPEED	10 YR	PARTS ONLY
TAYWAR4079②	1-5	CONDENSING UNIT ONLY (XE or XL)	10 YR	PARTS ONLY
TAYWAR4051②	1-5	COMPRESSOR ONLY	10 YR	PARTS ONLY
TAYWAR4118②	1-5	EPOXY COATED EVAPORATOR COIL (Indoor or outdoor)	5 YR	PARTS ONLY
TAYWAR4119③	6.25-12.50	EPOXY COATED EVAPORATOR COIL (Indoor or outdoor)	5 YR	PARTS ONLY
TAYWAR4120③	15-25	EPOXY COATED EVAPORATOR COIL (Indoor or outdoor)	5 YR	PARTS ONLY
TAYWAR4117③	15-20	COMPRESSOR ONLY	5 YR	PARTS ONLY
TAYWAR4121③	25	COMPRESSOR ONLY	5 YR	PARTS ONLY
TAYWAR4123②	1-5	COMPRESSOR ONLY	12 YR	PARTS ONLY
TAYWAR4143②	1-5	FURNACE OR AIR HANDLER	12 YR	PARTS ONLY
TAYWAR4144②	1-5	FURNACE OR AIR HANDLER, VARIABLE SPEED	12 YR	PARTS ONLY
TAYWAR4145②	1-5	CONDENSING UNIT ONLY	12 YR	PARTS ONLY
TAYWAR4146②	1-5	PACKAGE OR SPLIT SYSTEM	12 YR	PARTS ONLY
TAYWAR4150②	1-5	XE CONDENSING UNIT NO PARTS MARK UP	5 YR	PARTS & LABOR
TAYWAR4151②	1-5	XE CONDENSING UNIT NO PARTS MARK UP	10 YR	PARTS & LABOR
TAYWAR4152②	1-5	XE PACKAGE OR SPLIT SYSTEM – NON-VARIABLE SPEED AIR HANDLER OR FURNACE - NO PARTS MARK UP	5 YR	PARTS & LABOR
TAYWAR4153②	1-5	XE PACKAGE OR SPLIT SYSTEM – NON-VARIABLE SPEED AIR HANDLER OR FURNACE - NO PARTS MARK UP	10 YR	PARTS & LABOR

All XB units and "M" Package Units are not eligible if installed or initial warranty sale date is after 10/01/2001.
Residential or Commercial Application.
Commercial Application.

Great care has been taken to ensure the accuracy of the information in the Extended Warranty section of the 2007 Trane Product Catalog. However, the information in the Trane Optional Extended Warranty Handbook (Publication No. 26-1019) supersedes all information contained herein.

GENERAL NOTES

1. All one (1) -year term Agreements are initially intended to be sold on equipment less than five (5) years old. These Agreements can be renewed each year until the equipment is ten (10) years old when accepted by the Extended Warranty Department. Coverage begins thirty (30) days after Agreement is sold and requires a written statement from Servicer/Dealer stating that the condition of the equipment is acceptable for the initial sale. No statement is required for renewals unless there is a lapse in coverage.
2. All other Agreements with terms of five (5) years or greater should be sold at time of equipment sale, but may be sold on older equipment. Special provisions apply. See your Extended Warranty Handbook or additional information. Any Agreement with terms of five (5) years or greater expires based on the original install date, not the purchase date of the Agreement.
3. Any desired Agreement with terms requested other than those listed with part numbers must be approved by the Trane Extended Warranty Department at 800-554-6413.
4. An "X" in the eleventh (11) digit of the extended warranty model number is used only to determine a price for that particular warranty when labor option #3 is chosen. See the Extended Warranty Handbook for details.
5. An "S" in the seventh (7) digit of the Optional Extended Warranty model number is used when the equipment is installed within 1 mile of salt water or in an environment with high sulfur content or where specifically requested by the Extended Warranty Department.



NUMERICAL LIST OF PRODUCT COVERAGE

MODEL NUMBER	COVERAGE
TAYWAR0001	One (1) through five (5) ton Condensing Unit only XB/XE/XR models (Residential Application) - Five (5) years parts and labor on all internal components. Coverage includes a new evaporator coil and thermostat if installed at the same time and identified on the Agreement. Coverage is supplemental to the manufacturer's limited warranty.
TAYWAR0002	One (1) through five (5) ton Condensing Unit only XE/XR models (Residential Application) - Ten (10) years parts and labor on all internal components. Coverage includes a new evaporator coil and thermostat if installed at the same time and identified on the Agreement. Coverage is supplemental to the manufacturer's limited warranty.
TAYWAR0003	One (1) through five (5) ton complete Package or Split System XB/XE/XR models (Residential Application) - Five (5) years, parts and labor on all internal components. Coverage includes a new thermostat and air handler or furnace with evaporator coil if installed with the system and identified on the Agreement. Coverage is supplemental to the manufacturer's limited warranty.
TAYWAR0004	One (1) through five (5) ton complete Package or Split System XE/XR models (Residential Application) - Ten (10) years, parts and labor on all internal components. Coverage includes a new thermostat and air handler or furnace with evaporator coil if installed with the system and identified on the Agreement. Coverage is supplemental to the manufacturer's limited warranty.
TAYWAR0007	One (1) through five (5) ton Compressor only (Residential Application) - Ten (10) years parts only. Coverage is supplemental to the manufacturer's limited warranty.
TAYWAR0008	One (1) through five (5) ton Compressor only (Residential Application) - Five (5) years labor only. Coverage is supplemental to the limited warranty.
TAYWAR0009	One (1) through five (5) ton Compressor only (Residential Application) - Ten (10) years labor only. Coverage is supplemental to the limited warranty.
TAYWAR0010	One (1) through five (5) ton Compressor only (Residential Application) - Ten (10) years parts and labor. Coverage is supplemental to the manufacturer's limited warranty.
TAYWAR0011	One (1) through five (5) ton Furnace or Air Handler, non-variable speed models (Residential Application) - Five (5) years parts and labor on all internal components. Coverage includes a new evaporator coil and thermostat if installed at the same time and identified on the Agreement. Coverage is supplemental to the manufacturer's limited warranty.
TAYWAR0012	One (1) through five (5) ton Furnace or Air Handler, non-variable speed models (Residential Application) - Ten (10) years parts and labor on all internal components. Coverage includes a new evaporator coil and thermostat if installed at the same time and identified on the Agreement. Coverage is supplemental to the manufacturer's limited warranty.
TAYWAR0013	One (1) through five (5) ton Furnace or Air Handler, non-variable speed models (Residential Application) - Fifteen (15) years, parts and labor on all internal components. Coverage includes new evaporator coil and thermostat if installed at the same time and identified on the Agreement. Coverage is supplemental to the manufacturer's limited warranty.
TAYWAR0014	Electronic Air Cleaner (Residential or Commercial Application) - Five (5) years parts and labor on all internal components. Coverage is supplemental to the manufacturer's limited warranty.
TAYWAR0015	Electronic Air Cleaner (Residential or Commercial) Application - Ten (10) years parts and labor on all internal components. Coverage is supplemental to the manufacturer's limited warranty.

Great care has been taken to ensure the accuracy of the information in the Extended Warranty section of the 2007 Trane Product Catalog. However, the information in the Trane Optional Extended Warranty Handbook (Publication No. 26-1019) supersedes all information contained herein.



NUMERICAL LIST OF PRODUCT COVERAGE

MODEL NUMBER	COVERAGE
TAYWAR0016	Six and one quarter (6.25) through seven and one half (7.5) ton complete package system (Commercial Application) - Five (5) years, parts and labor on all internal components. Coverage includes a new thermostat if installed with the system and identified on the Agreement. Coverage is supplemental to the manufacturer's limited warranty.
TAYWAR0017	Eight and one half (8.5) through ten (10) ton complete Package system (Commercial Application) - Five (5) years, parts and labor on all internal components. Coverage includes a new thermostat if installed with the system and identified on the Agreement. Coverage is supplemental to the manufacturer's limited warranty.
TAYWAR0018	Twelve and one half (12.5) ton complete Package System (Commercial Application) - Five (5) years, parts and labor on all internal components. Coverage includes a new thermostat if installed with the system and identified on the Agreement. Coverage is supplemental to the manufacturer's limited warranty.
TAYWAR0019	Fifteen (15) through seventeen and one half (17.5) ton complete package system (Commercial Application) - Five (5) years, parts and labor on all internal components. Coverage includes a new thermostat if installed with the system and identified on the Agreement. Coverage is supplemental to the manufacturer's limited warranty.
TAYWAR0020	Twenty (20) ton complete Package System (Commercial Application) - Five (5) years, parts and labor on all internal components. Coverage includes a new thermostat if installed with the system and identified on the Agreement. Coverage is supplemental to the manufacturer's limited warranty.
TAYWAR0021	Twenty-five (25) ton complete Package System (Commercial Application) - Five (5) years, parts and labor on all internal components. Coverage includes a new thermostat if installed with the system and identified on the Agreement. Coverage is supplemental to the manufacturer's limited warranty.
TAYWAR0022	Six and one quarter (6.25) through seven and one half (7.5) ton Split System (Commercial Application) - Five (5) years, parts and labor on all internal components. Coverage includes a new thermostat and air handler or furnace with evaporator coil if installed with the system and identified on the Agreement. Coverage is supplemental to the manufacturer's limited warranty.
TAYWAR0023	Eight and one half (8.5) through ten (10) ton Split System (Commercial Application) - Five (5) years, parts and labor on all internal components. Coverage includes a new thermostat and air handler or furnace with evaporator coil if installed with the system and identified on the Agreement. Coverage is supplemental to the manufacturer's limited warranty.
TAYWAR0024	Twelve and one half (12.5) ton Split System (Commercial Application) - Five (5) years, parts and labor on all internal components. Coverage includes a new thermostat and air handler or furnace with evaporator coil if installed with the system and identified on the Agreement. Coverage is supplemental to the manufacturer's limited warranty.
TAYWAR0025	Fifteen (15) through Seventeen and one half (17.5) ton Split System (Commercial Application) - Five (5) years, parts and labor on all internal components. Coverage includes a new thermostat and air handler or furnace with evaporator coil if installed with the system and identified on the Agreement. Coverage is supplemental to the manufacturer's limited warranty.
TAYWAR0026	Twenty (20) ton Split System (Commercial Application) - Five (5) years, parts and labor on all internal components. Coverage includes a new thermostat and air handler or furnace with evaporator coil if installed with the system and identified on the Agreement. Coverage is supplemental to the manufacturer's limited warranty.
TAYWAR0030	Twenty (20) ton Compressor only (Commercial Application) - Five (5) years, parts only. Coverage is supplemental to the manufacturer's limited warranty.

Great care has been taken to ensure the accuracy of the information in the Extended Warranty section of the 2005 Trane Product Catalog. However, the information in the Trane Optional Extended Warranty Handbook (Publication No. 26-1019) supersedes all information contained herein.



NUMERICAL LIST OF PRODUCT COVERAGE

MODEL NUMBER	COVERAGE
TAYWAR0031	Twenty-five (25) ton Compressor only (Commercial Application) - Five (5) years, parts only. Coverage is supplemental to the manufacturer's limited warranty.
TAYWAR0032	Five (5) through (25) ton Economizer (Residential or Commercial Application) - Five (5) years, parts and labor on internal components. Coverage is supplemental to the manufacturer's limited warranty.
TAYWAR0034	One (1) through five (5) ton Heat Exchanger (Residential Application) - Fifteen (15) years parts only covers failures resulting from rupture, splitting or faulty welds. Coverage is supplemental to the manufacturer's limited warranty.
TAYWAR0035	Six and one quarter (6.25) through twelve and one half (12.5) ton Heat Exchanger (Commercial Application) - Ten (10) years, parts only, covers failures resulting from rupture, splitting or faulty welds. Coverage is supplemental to the manufacturer's limited warranty.
TAYWAR0036	Six and one quarter (6.25) through twelve and one half (12.5) ton Heat Exchanger (Commercial Application) - Fifteen (15) years, parts only to cover failures from rupture, splitting or faulty welds. Coverage is supplemental to the manufacturer's limited warranty.
TAYWAR0037	Fifteen (15) through seventeen and one half (17.5) ton Heat Exchanger (Commercial Application) - Ten (10) years, parts only to cover failures from rupture, splitting or faulty welds. Coverage is supplemental to the manufacturer's limited warranty.
TAYWAR0038	Fifteen (15) through seventeen and one half (17.5) ton Heat Exchanger (Commercial Application) - Fifteen (15) years, parts only, to cover failures from rupture, splitting or faulty welds. Coverage is supplemental to the manufacturer's limited warranty.
TAYWAR0039	Twenty (20) ton Heat Exchanger (Commercial Application) - Five (5) years, parts only, to cover failures from rupture, splitting or faulty welds. Coverage is supplemental to the manufacturer's limited warranty.
TAYWAR0040	Twenty (20) ton Heat Exchanger (Commercial Application) - Ten (10) years, parts only, to cover failures from rupture, splitting or faulty welds. Coverage is supplemental to the manufacturer's limited warranty.
TAYWAR0041	Twenty-five (25) ton Heat Exchanger (Commercial Application) - Five (5) years, parts only, to cover failures from rupture, splitting or faulty welds. Coverage is supplemental to the manufacturer's limited warranty.
TAYWAR0042	Twenty-five (25) ton Heat Exchanger (Commercial Application) - Ten (10) years, parts only, to cover failures from rupture, splitting or faulty welds. Coverage is supplemental to the manufacturer's limited warranty.
TAYWAR0043	Three (3) through twenty-five (25) ton Unitary Control Processor (Residential or Commercial) - Five (5) years, parts only on internal components. Coverage is supplemental to the manufacturer's limited warranty.
TAYWAR0044	One (1) through five (5) ton Condensing Unit only XB/XE/XR models (Residential Application) - One (1) year, parts and labor on all internal components. Coverage includes a new evaporator coil and thermostat if installed at the same time and identified on the Agreement. Coverage is supplemental to the manufacturer's limited warranty.
TAYWAR0045	One (1) through five (5) ton complete Package or Split System XB/XE/XR models (Residential Application) - One (1) year, parts and labor on all internal components. Coverage includes a new thermostat and air handler or furnace with evaporator coil if installed with the system and identified on the Agreement. Coverage is supplemental to the manufacturer's limited warranty.

Great care has been taken to ensure the accuracy of the information in the Extended Warranty section of the 2007 Trane Product Catalog. However, the information in the Trane Optional Extended Warranty Handbook (Publication No. 26-1019) supersedes all information contained herein.



NUMERICAL LIST OF PRODUCT COVERAGE

MODEL NUMBER	COVERAGE
TAYWAR0046	One (1) through five (5) ton XV Package or Split System (Residential Application) - One (1) year, parts and labor on all internal components. Coverage includes a new thermostat and furnace or air handler with evaporator coil if installed with the system and identified on the Agreement. Coverage is supplemental to the manufacturer's limited warranty.
TAYWAR0047	One (1) through five (5) ton Furnace or Air Handler, non-variable speed models (Residential Application) - One (1) year, parts and labor on all internal components. Coverage includes a new evaporator coil and thermostat if installed at the same time and identified on the Agreement. Coverage is supplemental to the manufacturer's limited warranty.
TAYWAR0048	Electronic Air Cleaner (Residential or Commercial Application) - One (1) year, parts and labor on all internal components. Coverage is supplemental to the manufacturer's limited warranty.
TAYWAR0049	One (1) through five (5) ton Compressor only (Residential Application) One (1) year, parts only. Coverage is supplemental to the manufacturer's limited warranty.
TAYWAR0050	One (1) through five (5) ton Compressor only (Residential Application) One (1) year, labor only. Coverage is supplemental to the manufacturer's limited warranty.
TAYWAR0051	One (1) through five (5) ton Compressor only (Residential Application) One (1) year, parts and labor. Coverage is supplemental to the manufacturer's limited warranty.
TAYWAR0052	Six and one quarter (6.25) through seven and one half (7.25) ton Package Unit (Commercial Application) - One (1) year, parts and labor on all internal components. Coverage includes a new evaporator coil and thermostat if installed with the system and identified on the Agreement. Coverage is supplemental to the manufacturer's limited warranty.
TAYWAR0053	Eight and one half (8.5) through ten (10) ton Package Unit (Commercial Application) - One (1) year, parts and labor on all internal components. Coverage includes a new evaporator coil and thermostat if installed with the system and identified on the Agreement. Coverage is supplemental to the manufacturer's limited warranty.
TAYWAR0054	Twelve and one half (12.5) ton Package Unit (Commercial Application) - One (1) year, parts and labor on all internal components. Coverage includes a new evaporator coil and thermostat if installed with the system and identified on the Agreement. Coverage is supplemental to the manufacturer's limited warranty.
TAYWAR0055	Fifteen (15) through seventeen and one half (17.5) ton Package Unit (Commercial Application) - One (1) year, parts and labor on all internal components. Coverage includes a new evaporator coil and thermostat if installed with the system and identified on the Agreement. Coverage is supplemental to the manufacturer's limited warranty.
TAYWAR0056	Twenty (20) ton Package Unit (Commercial Application) - One (1) year, parts and labor on all internal components. Coverage includes a new evaporator coil and thermostat if installed with the system and identified on the Agreement. Coverage is supplemental to the manufacturer's limited warranty.
TAYWAR0057	Twenty-five (25) ton Package Unit (Commercial Application) - One (1) year, parts and labor on all internal components. Coverage includes a new evaporator coil and thermostat if installed with the system and identified on the Agreement. Coverage is supplemental to the manufacturer's limited warranty.
TAYWAR0058	Six and one quarter (6.25) through seven and one half (7.25) ton Split System (Commercial Application) - One (1) year, parts and labor on all internal components. Coverage includes a new evaporator coil and thermostat if installed with the system and identified on the Agreement. Coverage is supplemental to the manufacturer's limited warranty.

Great care has been taken to ensure the accuracy of the information in the Extended Warranty section of the 2005 Trane Product Catalog. However, the information in the Trane Optional Extended Warranty Handbook (Publication No. 26-1019) supersedes all information contained herein.



NUMERICAL LIST OF PRODUCT COVERAGE

MODEL NUMBER	COVERAGE
TAYWAR0059	Eight and one half (8.5) through ten (10) ton Split System (Commercial Application) - One (1) year, parts and labor on all internal components. Coverage includes a new evaporator coil and thermostat if installed with the system and identified on the Agreement. Coverage is supplemental to the manufacturer's limited warranty.
TAYWAR0060	Twelve and one half (12.5) ton Split System (Commercial Application) - One (1) year, parts and labor on all internal components. Coverage includes a new evaporator coil and thermostat if installed with the system and identified on the Agreement. Coverage is supplemental to the manufacturer's limited warranty.
TAYWAR0061	Fifteen (15) through seventeen and one half (17.5) ton Split System (Commercial Application) - One (1) year, parts and labor on all internal components. Coverage includes a new thermostat and air handler or furnace with on the evaporator coil if installed with the system and identified on the Agreement. Coverage is supplemental to the manufacturer's limited warranty.
TAYWAR0062	Twenty (20) ton Split System (Commercial Application) - One (1) year, parts and labor on all internal components. Coverage includes a new thermostat and air handler or furnace with evaporator coil if installed with the system and identified on the Agreement. Coverage is supplemental to the manufacturer's limited warranty.
TAYWAR0064	One (1) through five (5) ton Condensing Unit only, first year labor (Commercial Application) - One (1) year, labor only on all internal components. Coverage includes a new evaporator coil and thermostat if installed at the same time and identified on the Agreement. Coverage is supplemental to the manufacturer's limited warranty.
TAYWAR0065	One (1) through five (5) ton Package or Split System, first year labor (Commercial Application) - One (1) year, labor only on all internal components. Coverage includes a new thermostat and furnace or air handler with evaporator coil if installed with the system and identified on the Agreement. Coverage is supplemental to the manufacturer's limited warranty.
TAYWAR0066	One (1) through five (5) ton Air Handler, non-variable speed models, first year labor (Commercial Application) - One (1) year, labor only on all internal components. Coverage includes a new evaporator coil and thermostat if installed at the same time and identified on the Agreement. Coverage is supplemental to the manufacturer's limited warranty.
TAYWAR0067	One (1) through five (5) ton Package Gas/Electric System, first year labor (Commercial Application) - One (1) year, labor only on all internal components. Coverage includes a new evaporator coil and thermostat if installed with the system and identified on the Agreement. Coverage is supplemental to the manufacturer's limited warranty.
TAYWAR0068	One (1) through five (5) ton Furnace, non-variable speed models, first year labor (Commercial Application) - One (1) year, labor only on all internal components. Coverage includes a new evaporator coil and thermostat if installed at the same time and identified on the Agreement. Coverage is supplemental to the manufacturer's limited warranty.
TAYWAR0069	Electronic Air Cleaner, first year labor (Commercial Application) - One (1) year, labor only on all internal components. Coverage is supplemental to the manufacturer's limited warranty.
TAYWAR0070	Six and one quarter (6.25) through seven and one half (7.5) ton Package or Split System, first year labor (Commercial Application) - One (1) year, labor only on all internal components. Coverage includes a new thermostat and air handler or furnace with evaporator coil if installed with the system and identified on the Agreement. Coverage is supplemental to the manufacturer's limited warranty.

Great care has been taken to ensure the accuracy of the information in the Extended Warranty section of the 2007 Trane Product Catalog. However, the information in the Trane Optional Extended Warranty Handbook (Publication No. 26-1019) supersedes all information contained herein.



NUMERICAL LIST OF PRODUCT COVERAGE

MODEL NUMBER	COVERAGE
TAYWAR0071	Eight and one half (8.5) through ten (10) ton Package or Split System, first year labor (Commercial Application) - One (1) year, labor only on all internal components. Coverage includes a new thermostat and air handler or furnace with evaporator coil if installed with the system and identified on the Agreement. Coverage is supplemental to the manufacturer's limited warranty.
TAYWAR0072	Twelve and one half (12.5) ton Package or Split System, first year labor (Commercial Application) - One (1) year, labor only on all internal components. Coverage includes a new thermostat and air handler or furnace with evaporator coil if installed with the system and identified on the Agreement. Coverage is supplemental to the manufacturer's limited warranty.
TAYWAR0073	Fifteen (15) ton through seventeen and one half (17.5) ton Package or Split System, first year labor (Commercial Application) - One (1) year, labor only on all internal components. Coverage includes a new thermostat and air handler or furnace with evaporator coil if installed with the system and identified on the Agreement. Coverage is supplemental to the manufacturer's limited warranty.
TAYWAR0074	Twenty (20) ton Package or Split System, first year labor (Commercial Application) - One (1) year, labor only on all internal components. Coverage includes a new thermostat and air handler or furnace with evaporator coil if installed with the system and identified on the Agreement. Coverage is supplemental to the manufacturer's limited warranty.
TAYWAR0075	Twenty-five (25) ton Package or Split System, first year labor (Commercial Application) - One (1) year, labor only on all internal components. Coverage includes a new thermostat and air handler or furnace with evaporator coil if installed with the system and identified on the Agreement. Coverage is supplemental to the manufacturer's limited warranty.
TAYWAR0076	Programmable thermostat installed with equipment one (1) through five (5) tons (Residential or Commercial Application) - One (1) year, parts and labor on all internal components. Coverage is supplemental to the manufacturer's limited warranty.
TAYWAR0077	Programmable thermostat installed with equipment one (1) through five (5) tons (Residential or Commercial Application) - Five (5) years parts and labor on all internal components. Coverage is supplemental to the manufacturer's limited warranty.
TAYWAR0078	Programmable thermostat installed with equipment one (1) through five (5) tons (Residential or Commercial Application) - Ten (10) years parts and labor on all internal components. Coverage is supplemental to the manufacturer's limited warranty.
TAYWAR0079	One (1) through five (5) ton Hot Water bank, ECU (Energy Conservation Unlimited) only (Residential or Commercial Application) - Five (5) years, parts and labor on all internal components. Coverage is supplemental to the manufacturer's limited warranty.
TAYWAR0080	One (1) through five (5) ton Hot Water bank, ECU (Energy Conservation Unlimited) only (Residential or Commercial Application) - One (1) year, parts and labor on all internal components. Coverage is supplemental to the manufacturer's limited warranty.
TAYWAR0081	One (1) through five (5) ton Condensing Unit only XL models (Residential Application) - Ten (10) years parts and labor on all internal components. Coverage includes a new evaporator coil and thermostat if installed at the same time and identified on the Agreement. Coverage is supplemental to the manufacturer's limited warranty.

Great care has been taken to ensure the accuracy of the information in the Extended Warranty section of the 2005 Trane Product Catalog. However, the information in the Trane Optional Extended Warranty Handbook (Publication No. 26-1019) supersedes all information contained herein.



NUMERICAL LIST OF PRODUCT COVERAGE

MODEL NUMBER	COVERAGE
TAYWAR0082	One (1) through five (5) ton Split System XL models (Residential Application) - Ten (10) years parts and labor on all internal components. Coverage includes a new thermostat and air handler or furnace with evaporator coil if installed with the system and identified on the Agreement. Coverage is supplemental to the manufacturer's limited warranty.
TAYWAR0083	One (1) through five (5) ton Condensing Unit only XB/XE/XR models (Residential Application) - Five (5) years parts only on all internal components. Coverage includes new evaporator coil and thermostat if installed at the same time and identified on the Agreement. Coverage is supplemental to the manufacturer's limited warranty.
TAYWAR0084	One (1) through five (5) ton Condensing Unit only XE/XR models (Residential Application) - Ten (10) years parts only on all internal components. Coverage includes a new evaporator coil and thermostat if installed at the same time and identified on the Agreement. Coverage is supplemental to the manufacturer's limited warranty.
TAYWAR0085	One (1) through five (5) ton Condensing Unit only XL models (Residential Application) - Ten (10) years parts only on all internal components. Coverage includes new evaporator coil and thermostat if installed at the same time and identified on the Agreement. Coverage is supplemental to the manufacturer's limited warranty.
TAYWAR0086	One (1) through five (5) ton complete Package or XB/XE/XR Split System models (Residential Application) - Five (5) years parts only on all internal components. Coverage includes new thermostat and air handler or furnace with evaporator coil if installed with the system and identified on the Agreement. Coverage is supplemental to the manufacturer's limited warranty.
TAYWAR0087	One (1) through five (5) ton complete Package or Split System XE/XR models (Residential Application) - Ten (10) years parts only on all internal components. Coverage includes a new thermostat and air handler or furnace with evaporator coil if installed with the system and identified on the Agreement. Coverage is supplemental to the manufacturer's limited warranty.
TAYWAR0088	One (1) through five (5) ton Split System XL models (Residential Application) - Ten (10) years parts only on all internal components. Coverage includes new thermostat and air handler or furnace with evaporator coil if installed with the system and identified on the Agreement. Coverage is supplemental to the manufacturer's limited warranty.
TAYWAR0091	One (1) through five (5) ton Furnace or Air Handler, non-variable speed models (Residential Application) - Five (5) years parts only on all internal components. Coverage includes evaporator coil and thermostat if installed at the same time and identified on the Agreement. Coverage is supplemental to the manufacturer's limited warranty.
TAYWAR0092	One (1) through five (5) ton Furnace or Air Handler, non-variable speed models (Residential Application) - Ten (10) years parts only on all internal components. Coverage includes a new evaporator coil and thermostat if installed at the same time and identified on the Agreement. Coverage is supplemental to the manufacturer's limited warranty.
TAYWAR0093	Electronic Air Cleaner (Residential or Commercial Application) - Five (5) years parts only on all internal components. Coverage is supplemental to the manufacturer's limited warranty.
TAYWAR0094	Electronic Air Cleaner (Residential or Commercial Application) - Ten (10) years parts only on all internal components. Coverage is supplemental to the manufacturer's limited warranty.

Great care has been taken to ensure the accuracy of the information in the Extended Warranty section of the 2007 Trane Product Catalog. However, the information in the Trane Optional Extended Warranty Handbook (Publication No. 26-1019) supersedes all information contained herein.



NUMERICAL LIST OF PRODUCT COVERAGE

MODEL NUMBER	COVERAGE
TAYWAR0095	Six and one quarter (6.25) through seven and one half (7.25) ton Package Unit (Commercial Application) - Five (5) years, parts only on all internal components. Coverage includes a new evaporator coil and thermostat if installed with the system and identified on the Agreement. Coverage is supplemental to the manufacturer's limited warranty.
TAYWAR0096	Eight and one half (8.5) through ten (10) ton Package Unit (Commercial Application) - Five (5) years, parts only on all internal components. Coverage includes a new thermostat if installed with the system and identified on the Agreement. Coverage is supplemental to the manufacturer's limited warranty.
TAYWAR0097	Twelve and one half (12.5) ton Package Unit (Commercial Application) - Five (5) years, parts only on all internal components. Coverage includes a new thermostat if installed with the system and identified on the Agreement. Coverage is supplemental to the manufacturer's limited warranty.
TAYWAR0098	Fifteen (15) through seventeen and one half (17.5) ton Package Unit (Commercial Application) - Five (5) years, parts only on all internal components. Coverage includes a new thermostat if installed with the system and identified on the Agreement. Coverage is supplemental to the manufacturer's limited warranty.
TAYWAR0099	Twenty (20) ton Package Unit (Commercial Application) - Five (5) years, parts only on all internal components. Coverage includes a new evaporator coil and thermostat if installed with the system and identified on the Agreement. Coverage is supplemental to the manufacturer's limited warranty.
TAYWAR0100	Twenty-five (25) ton Package Unit (Commercial Application) - Five (5) years, parts only on all internal components. Coverage includes a new evaporator coil and thermostat if installed with the system and identified on the Agreement. Coverage is supplemental to the manufacturer's limited warranty.
TAYWAR0101	Six and one quarter (6.25) through seven and one half (7.25) ton Split System (Commercial Application) - Five (5) years, parts only on all internal components. Coverage includes a new thermostat and air handler or furnace with evaporator coil if installed with the system and identified on the Agreement. Coverage is supplemental to the manufacturer's limited warranty.
TAYWAR0102	Eight and one half (8.5) through ten (10) ton Split System (Commercial Application) - Five (5) years, parts only on all internal components. Coverage includes a new thermostat and air handler or furnace with evaporator coil if installed with the system and identified on the Agreement. Coverage is supplemental to the manufacturer's limited warranty.
TAYWAR0103	Twelve and one half (12.5) ton Split System (Commercial Application) - Five (5) years, parts only on all internal components. Coverage includes a new thermostat and air handler or furnace with evaporator coil if installed with the system and identified on the Agreement. Coverage is supplemental to the manufacturer's limited warranty.
TAYWAR0104	Fifteen (15) through seventeen and one half (17.5) ton Split System (Commercial Application) - Five (5) years, parts only on all internal components. Coverage includes a new thermostat and air handler or furnace with evaporator coil if installed with the system and identified on the Agreement. Coverage is supplemental to the manufacturer's limited warranty.
TAYWAR0105	Twenty (20) ton Split System (Commercial Application) - Five (5) years, parts only on all internal components. Coverage includes a new thermostat and air handler or furnace with evaporator coil if installed with the system and identified on the Agreement. Coverage is supplemental to the manufacturer's limited warranty.

Great care has been taken to ensure the accuracy of the information in the Extended Warranty section of the 2005 Trane Product Catalog. However, the information in the Trane Optional Extended Warranty Handbook (Publication No. 26-1019) supersedes all information contained herein.



NUMERICAL LIST OF PRODUCT COVERAGE

MODEL NUMBER	COVERAGE
TAYWAR0107	Five (5) through twenty-five (25) ton Economizer (Residential or Commercial Application) - Five (5) years, parts only on internal components. Coverage is supplemental to the manufacturer's limited warranty.
TAYWAR0108	One (1) through five (5) ton Heat Exchanger (Residential Application) - Twenty (20) years parts only covers failures resulting from rupture splitting or faulty welds. Coverage is supplemental to the manufacturer's limited warranty.
TAYWAR0109	Six (6) through twenty-five (25) ton Programmable Thermostat (Residential or Commercial Application) - Five (5) years, parts and labor on all internal components. Coverage is supplemental to the manufacturer's limited warranty.
TAYWAR0111	One (1) through (5) ton Compressor only, installed in Water Source System, (Residential Application) - One (1) year, parts only. Coverage is supplemental to the manufacturer's limited warranty.
TAYWAR0112	One (1) through five (5) ton Compressor only, installed in Water Source Systems, (Residential Application) - One (1) year, part and labor. Coverage is supplemental to the manufacturer's limited warranty.
TAYWAR0113	One (1) through five (5) ton Compressor (Residential Application) - Ten (10) years, parts only for the compressor, installed in Water Source Systems. Coverage is supplemental to the manufacturer's limited warranty.
TAYWAR0114	One (1) through five (5) ton Compressor (Residential Application) - Ten (10) years, parts and labor, for the compressor, installed in Water Source Systems. Coverage is supplemental to the manufacturer's limited warranty.
TAYWAR0115	One (1) through five (5) ton Water Source Package or Split system, (Residential Application) - One (1) year, parts only on all internal components. Coverage includes a new thermostat and air handler if installed with the system and identified on the Agreement. Excludes the ground loop or water loop and any repairs made necessary because of faults in the ground loop or water loop. Coverage is supplemental to the manufacturer's limited warranty.
TAYWAR0116	One (1) through five (5) ton Water Source Package or Split system, (Residential Application) - One (1) year, parts and labor on all internal components. Coverage includes a new thermostat and air handler if installed with the system and identified on the Agreement. Excludes the ground loop or water loop and any repairs made necessary because of faults in the ground loop or water loop. Coverage is supplemental to the manufacturer's limited warranty.
TAYWAR0117	One (1) through five (5) ton Water Source Package System (Residential Application) - Five (5) years, parts only, to cover all internal components. Coverage includes a new thermostat when sold and installed with the system and identified on the Agreement. Excludes the ground loop or water loop and any repairs made necessary because of faults in the ground loop or water loop. Coverage is supplemental to the manufacturer's limited warranty.
TAYWAR0118	One (1) through five (5) ton Water Source Package System (Residential Application) - Five (5) years, parts and labor, to cover all internal components. Coverage includes a new thermostat when sold and installed with the system and identified on the Agreement. Excludes the ground loop or water loop and any repairs made necessary because of faults in the ground loop or water loop. Coverage is supplemental to the manufacturer's limited warranty.
TAYWAR0119	One (1) through five (5) ton Water Source Package System (Residential Application) - Ten (10) years, parts only to cover all internal components. Coverage includes a new thermostat when sold and installed with the system and identified on the Agreement. Excludes the ground loop or water loop and any repairs made necessary because of faults in the ground loop or water loop. Coverage is supplemental to the manufacturer's limited warranty.

Great care has been taken to ensure the accuracy of the information in the Extended Warranty section of the 2007 Trane Product Catalog. However, the information in the Trane Optional Extended Warranty Handbook (Publication No. 26-1019) supersedes all information contained herein.



NUMERICAL LIST OF PRODUCT COVERAGE

MODEL NUMBER	COVERAGE
TAYWAR0120	One (1) through five (5) ton complete Package or Split System XB/XE/XR models (Residential Application) - One (1) year, parts only on all internal components. Coverage includes a new thermostat and air handler or furnace with evaporator coil if installed with the system and identified on the Agreement. Coverage is supplemental to the manufacturer's limited warranty.
TAYWAR0121	One (1) through five (5) ton Split System XL models (Residential Application) - One (1) year, parts only on all internal components. Coverage includes a new thermostat and air handler or furnace with evaporator coil if installed with the system and identified on the Agreement. Coverage is supplemental to the manufacturer's limited warranty.
TAYWAR0122	One (1) through five (5) ton Split System XL models (Residential Application) - One (1) year, parts and labor on all internal components. Coverage includes a new thermostat and air handler or furnace with evaporator coil if installed with the system and identified on the Agreement. Coverage is supplemental to the manufacturer's limited warranty.
TAYWAR0123	One (1) through five (5) ton Split System XL models (Residential Application) - Five (5) years parts only on all internal components. Coverage includes new thermostat and air handler or furnace with evaporator coil if installed with the system and identified on the Agreement. Coverage is supplemental to the manufacturer's limited warranty.
TAYWAR0124	One (1) through five (5) ton Split System XL models (Residential Application) - Five (5) years parts and labor on all internal components. Coverage includes a new thermostat and air handler or furnace with evaporator coil if installed with the system and identified on the Agreement. Coverage is supplemental to the manufacturer's limited warranty.
TAYWAR0125	One (1) through five (5) ton XV Package or Split System (Residential Application) - One (1) year, parts only on all internal components. Coverage includes a new thermostat and air handler or furnace with evaporator coil if installed with the system and identified on the Agreement. Coverage is supplemental to the manufacturer's limited warranty.
TAYWAR0127	One (1) through five (5) ton Condensing Unit only XB/XE/XR models (Residential Application) - One (1) year, parts only on all internal components. Coverage includes a new evaporator coil and thermostat if installed at the same time and identified on the Agreement. Coverage is supplemental to the manufacturer's limited warranty.
TAYWAR0128	One (1) through five (5) ton Condensing Unit only XL models (Residential Application) - One (1) year, parts only on all internal components. Coverage includes a new evaporator coil and thermostat if installed at the same time and identified on the Agreement. Coverage is supplemental to the manufacturer's limited warranty.
TAYWAR0129	One (1) through five (5) ton Condensing Unit only XL models (Residential Application) - One (1) year, parts and labor on all internal components. Coverage includes a new evaporator coil and thermostat if installed at the same time and identified on the Agreement. Coverage is supplemental to the manufacturer's limited warranty.
TAYWAR0130	One (1) through five (5) ton Condensing Unit only XL models (Residential Application) - Five (5) years parts only on all internal components Coverage includes evaporator coil and thermostat if installed at the same time and identified on the Agreement. Coverage is supplemental to the manufacturer's limited warranty.
TAYWAR0131	One (1) through five (5) ton XV Condensing Unit only (Residential Application) - One (1) year, parts only on all internal components. Coverage includes a new evaporator coil and thermostat if installed at the same time and identified on the Agreement. Coverage is supplemental to the manufacturer's limited warranty.

Great care has been taken to ensure the accuracy of the information in the Extended Warranty section of the 2005 Trane Product Catalog. However, the information in the Trane Optional Extended Warranty Handbook (Publication No. 26-1019) supersedes all information contained herein.



NUMERICAL LIST OF PRODUCT COVERAGE

MODEL NUMBER	COVERAGE
TAYWAR0132	One (1) through five (5) ton XV Condensing Unit only (Residential Application) - One (1) year, parts and labor on all internal components. Coverage includes a new evaporator coil and thermostat if installed at the same time and identified on the Agreement. Coverage is supplemental to the manufacturer's limited warranty.
TAYWAR0137	One (1) through five (5) ton Furnace or Air Handler, non-variable speed models (Residential Application) - Fifteen (15) years, parts only on all internal components. Coverage includes new evaporator coil and thermostat if installed at the same time and identified on the Agreement. Coverage is supplemental to the manufacturer's limited warranty.
TAYWAR0138	One (1) through five (5) ton Heat Exchanger (Residential Application) - Ten (10) years part and labor, covers failures resulting from rupture, splitting or faulty welds. Coverage is supplemental to the manufacturer's limited warranty.
TAYWAR0139	One (1) through five (5) ton Heat Exchanger (Residential Application) - Fifteen (15) years parts and labor, covers failures resulting from rupture, splitting or faulty welds. Coverage is supplemental to the manufacturer's limited warranty.
TAYWAR0141	One (1) through five (5) ton Package or Split System (Commercial Application) - One (1) year, parts only on all internal components. Coverage includes a new thermostat and air handler or furnace with evaporator coil if installed with the system and identified on the Agreement. Coverage is supplemental to the manufacturer's limited warranty.
TAYWAR0142	One (1) through five (5) ton Package or Split System (Commercial Application) - One (1) year, parts and labor on all internal components. Coverage includes a new thermostat and air handler or furnace with evaporator coil if installed with the system and identified on the Agreement. Coverage is supplemental to the manufacturer's limited warranty.
TAYWAR0143	One (1) through five (5) ton Package or Split System (Commercial Application) - Five (5) years, parts only on all internal components. Coverage includes a new thermostat and furnace or air handler with evaporator coil if installed with the system and identified on the Agreement. Coverage is supplemental to the manufacturer's limited warranty.
TAYWAR0144	One (1) through five (5) ton complete Package or Split System (Commercial Application) - Five (5) years, parts and labor on all internal components. Coverage includes a new thermostat and air handler or furnace with evaporator coil if installed with the system and identified on the Agreement. Coverage is supplemental to the manufacturer's limited warranty.
TAYWAR0145	One (1) through five (5) ton complete Package or Split System (Commercial Application) - Ten (10) years, parts only on all internal components. Coverage includes a new thermostat and air handler or furnace with evaporator coil if installed with the system and identified on the Agreement. Coverage is supplemental to the manufacturer's limited warranty.
TAYWAR0146	One (1) through five (5) ton complete Package or Split System (Commercial Application) - Ten (10) years, parts and labor on all internal components. Coverage includes a new thermostat and air handler or furnace with evaporator coil if installed with the system and identified on the Agreement. Coverage is supplemental to the manufacturer's limited warranty.
TAYWAR0153	One (1) through five (5) ton XV Package or Split System (Commercial Application) - One (1) year, parts only on all internal components. Coverage includes a new thermostat and furnace or air handler with evaporator coil if installed with the system and identified on the Agreement. Coverage is supplemental to the manufacturer's limited warranty.

Great care has been taken to ensure the accuracy of the information in the Extended Warranty section of the 2007 Trane Product Catalog. However, the information in the Trane Optional Extended Warranty Handbook (Publication No. 26-1019) supersedes all information contained herein.



NUMERICAL LIST OF PRODUCT COVERAGE

MODEL NUMBER	COVERAGE
TAYWAR0154	One (1) through five (5) ton XV Package or Split System (Commercial Application) - One (1) year, parts and labor on all internal components. Coverage includes a new thermostat and air handler or furnace with evaporator coil if installed with the system and identified on the Agreement. Coverage is supplemental to the manufacturer's limited warranty.
TAYWAR0159	Six and one quarter (6.25) through seven and one half (7.25) ton Package Unit (Commercial Application) - One (1) year, parts only on all internal components. Coverage includes a new evaporator coil and thermostat if installed with the system and identified on the Agreement. Coverage is supplemental to the manufacturer's limited warranty.
TAYWAR0160	Six and one quarter (6.25) through seven and one half (7.25) ton Split System (Commercial Application) - One (1) year, parts only on all internal components. Coverage includes a new thermostat and air handler or furnace with evaporator coil if installed with the system and identified on the Agreement. Coverage is supplemental to the manufacturer's limited warranty.
TAYWAR0161	Eight and one half (8.5) through ten (10) ton Package Unit (Commercial Application) - One (1) year, parts only on all internal components. Coverage includes a new thermostat and air handler or furnace with evaporator coil if installed with the system and identified on the Agreement. Coverage is supplemental to the manufacturer's limited warranty.
TAYWAR0162	Eight and one half (8.5) through ten (10) ton Split System (Commercial Application) - One (1) year, parts only on all internal components. Coverage includes a new thermostat and air handler or furnace with evaporator coil if installed with the system and identified on the Agreement. Coverage is supplemental to the manufacturer's limited warranty.
TAYWAR0163	Twelve and one half (12.5) ton Package Unit (Commercial Application) - One (1) year, parts only on all internal components. Coverage includes a new evaporator coil and thermostat if installed with the system and identified on the Agreement. Coverage is supplemental to the manufacturer's limited warranty.
TAYWAR0164	Twelve and one half (12.5) ton Split System (Commercial Application) - One (1) year, parts only on all internal components. Coverage includes a new thermostat and air handler or furnace with evaporator coil if installed with the system and identified on the Agreement. Coverage is supplemental to the manufacturer's limited warranty.
TAYWAR0165	Fifteen (15) through seventeen and one half (17.5) ton Package Unit (Commercial Application) - One (1) year, parts only on all internal components. Coverage includes evaporator coil and thermostat if installed with the system and identified on the Agreement. Coverage is supplemental to the manufacturer's limited warranty.
TAYWAR0166	Fifteen (15) through seventeen and one half (17.5) ton Split System (Commercial Application) - One (1) year, parts only on all internal components. Coverage includes a new thermostat and air handler or furnace with evaporator coil if installed with the system and identified on the Agreement. Coverage is supplemental to the manufacturer's limited warranty.
TAYWAR0167	Twenty (20) ton Package Unit (Commercial Application) - One (1) year, parts only on all internal components. Coverage includes a new evaporator coil and thermostat if installed with the system and identified on the Agreement. Coverage is supplemental to the manufacturer's limited warranty.
TAYWAR0168	Twenty (20) ton Split System (Commercial Application) - One (1) year, parts only on all internal components. Coverage includes a new thermostat and air handler or furnace with evaporator coil if installed with the system and identified on the Agreement. Coverage is supplemental to the manufacturer's limited warranty.

Great care has been taken to ensure the accuracy of the information in the Extended Warranty section of the 2005 Trane Product Catalog. However, the information in the Trane Optional Extended Warranty Handbook (Publication No. 26-1019) supersedes all information contained herein.



NUMERICAL LIST OF PRODUCT COVERAGE

MODEL NUMBER	COVERAGE
TAYWAR0169	Twenty-five (25) ton Package Unit (Commercial Application) - One (1) year, parts only on all internal components. Coverage includes a new evaporator coil and thermostat if installed with the system and identified on the Agreement. Coverage is supplemental to the manufacturer's limited warranty.
TAYWAR0170	One (1) through five (5) ton Condensing Unit (Commercial Application) - One (1) year, parts only on all internal components. Coverage includes a new evaporator coil and thermostat if installed at the same time and identified on the Agreement. Coverage is supplemental to the manufacturer's limited warranty.
TAYWAR0171	One (1) through five (5) ton Condensing Unit (Commercial Application) - One (1) year, parts and labor on all internal components. Coverage includes a new evaporator coil and thermostat if installed at the same time and identified on the Agreement. Coverage is supplemental to the manufacturer's limited warranty.
TAYWAR0172	One (1) through five (5) ton Condensing Unit (Commercial Application) - Five (5) years, parts only on all internal components. Coverage includes a new evaporator coil and thermostat if installed at the same time and identified on the Agreement. Coverage is supplemental to the manufacturer's limited warranty.
TAYWAR0173	One (1) through five (5) ton Condensing Unit only (Commercial Application) - Five (5) years, parts and labor on all internal components. Coverage includes a new evaporator coil and thermostat if installed at the same time and identified on the Agreement. Coverage is supplemental to the manufacturer's limited warranty.
TAYWAR0174	One (1) through five (5) ton Condensing Unit (Commercial Application) - Ten (10) years, parts only on all internal components. Coverage includes a new evaporator coil and thermostat if installed at the same time and identified on the Agreement. Coverage is supplemental to the manufacturer's limited warranty.
TAYWAR0175	One (1) through five (5) ton Condensing Unit only (Commercial Application) - Ten (10) years, parts and labor on all internal components. Coverage includes a new evaporator coil and thermostat if installed at the same time and identified on the Agreement. Coverage is supplemental to the manufacturer's limited warranty.
TAYWAR0182	One (1) through five (5) ton XV Condensing Unit only (Commercial Application) - One (1) year, parts only on all internal components. Coverage includes a new evaporator coil and thermostat if installed at the same time and identified on the Agreement Coverage is supplemental to the manufacturer's limited warranty.
TAYWAR0183	One (1) through five (5) ton XV Condensing Unit only (Commercial Application) - One (1) year, parts and labor on all internal components. Coverage includes a new evaporator coil and thermostat if installed at the same time and identified on the Agreement Coverage is supplemental to the manufacturer's limited warranty.
TAYWAR0188	Six and one quarter (6.25) through seven and one half (7.25) ton Condensing Unit (Commercial Application) - One (1) year, parts only on all internal components. Coverage includes a new evaporator coil and thermostat if installed at the same time and identified on the Agreement. Coverage is supplemental to the manufacturer's limited warranty.
TAYWAR0189	Six and one quarter (6.25) through seven and one half (7.5) ton Condensing Unit (Commercial Application) - One (1) year, parts and labor only on all internal components. Coverage includes a new evaporator coil and thermostat if installed at the same time and identified on the Agreement. Coverage is supplemental to the manufacturer's limited warranty.
TAYWAR0190	Six and one quarter (6.25) through seven and one half (7.25) ton Condensing Unit (Commercial Application) - Five (5) years, parts only on all internal components. Coverage includes a new evaporator coil and thermostat if installed at the same time and identified on the Agreement. Coverage is supplemental to the manufacturer's limited warranty.

Great care has been taken to ensure the accuracy of the information in the Extended Warranty section of the 2007 Trane Product Catalog. However, the information in the Trane Optional Extended Warranty Handbook (Publication No. 26-1019) supersedes all information contained herein.



NUMERICAL LIST OF PRODUCT COVERAGE

MODEL NUMBER	COVERAGE
TAYWAR0191	Six and one quarter (6.25) through seven and one half (7.5) ton Condensing Unit (Commercial Application) - Five (5) years, parts and labor on all internal components. Coverage includes a new evaporator coil and thermostat if installed at the same time and identified on the Agreement. Coverage is supplemental to the manufacturer's limited warranty.
TAYWAR0192	Eight and one half (8.5) through ten (10) ton Condensing Unit (Commercial Application) - One (1) year, parts only on all internal components. Coverage includes a new evaporator coil and thermostat if installed at the same time and identified on the Agreement. Coverage is supplemental to the manufacturer's limited warranty.
TAYWAR0193	Eight and one half (8.5) through ten (10) ton Condensing Unit (Commercial Application) - One (1) year, parts and labor on all internal components. Coverage includes a new evaporator coil and thermostat if installed at the same time and identified on the Agreement. Coverage is supplemental to the manufacturer's limited warranty.
TAYWAR0194	Eight and one half (8.5) through ten (10) ton Condensing Unit (Commercial Application) - Five (5) years, parts only on all internal components. Coverage includes a new evaporator coil and thermostat if installed at the same time and identified on the Agreement. Coverage is supplemental to the manufacturer's limited warranty.
TAYWAR0195	Eight and one half (8.5) through ten (10) ton Condensing Unit (Commercial Application) - Five (5) years, parts and labor on all internal components. Coverage includes a new evaporator coil and thermostat installed at the same time and identified on the Agreement. Coverage is supplemental to the manufacturer's limited warranty.
TAYWAR0196	Twelve and one half (12.5) ton Condensing Unit (Commercial Application) - One (1) year, parts only on all internal components. Coverage includes a new evaporator coil and thermostat if installed at the same time and identified on the Agreement. Coverage is supplemental to the manufacturer's limited warranty.
TAYWAR0197	Twelve and one half (12.5) ton Condensing Unit (Commercial Application) - One (1) year, parts and labor on all internal components. Coverage includes a new evaporator coil and thermostat if installed at the same time and identified on the Agreement. Coverage is supplemental to the manufacturer's limited warranty.
TAYWAR0198	Twelve and one half (12.5) ton Condensing Unit (Commercial Application) - Five (5) years, parts only on all internal components. Coverage includes a new evaporator coil and thermostat if installed at the same time and identified on the Agreement. Coverage is supplemental to the manufacturer's limited warranty.
TAYWAR0199	Twelve and one half (12.5) ton Condensing Unit (Commercial Application) - Five (5) years, parts and labor on all internal components. Coverage includes a new evaporator coil and thermostat if installed at the same time and identified on the Agreement. Coverage is supplemental to the manufacturer's limited warranty.
TAYWAR0200	Fifteen (15) through Seventeen and one half (17.5) ton Condensing Unit (Commercial Application) - One (1) year, parts only on all internal components. Coverage includes a new evaporator coil and thermostat if installed at the same time and identified on the Agreement. Coverage is supplemental to the manufacturer's limited warranty.
TAYWAR0201	Fifteen (15) through Seventeen and one half (17.5) ton Condensing Unit (Commercial Application) - One (1) year, parts and labor on all internal components. Coverage includes a new evaporator coil and thermostat if installed at the same time and identified on the Agreement. Coverage is supplemental to the manufacturer's limited warranty.

Great care has been taken to ensure the accuracy of the information in the Extended Warranty section of the 2005 Trane Product Catalog. However, the information in the Trane Optional Extended Warranty Handbook (Publication No. 26-1019) supersedes all information contained herein.



NUMERICAL LIST OF PRODUCT COVERAGE

MODEL NUMBER	COVERAGE
TAYWAR0202	Fifteen (15) through Seventeen and one half (17.5) ton Condensing Unit (Commercial Application) - Five (5) years, parts only on all internal components. Coverage includes a new evaporator coil and thermostat if installed at the same time and identified on the Agreement. Coverage is supplemental to the manufacturer's limited warranty.
TAYWAR0203	Fifteen (15) through Seventeen and one half (17.5) ton Condensing Unit (Commercial Application) - Five (5) years, parts and labor on all internal components. Coverage includes a new evaporator coil and thermostat if installed at the same time and identified on the Agreement. Coverage is supplemental to the manufacturer's limited warranty.
TAYWAR0204	Twenty (20) ton Condensing Unit (Commercial Application) - One (1) year, parts only on all internal components. Coverage includes a new evaporator coil and thermostat if installed at the same time and identified on the Agreement. Coverage is supplemental to the manufacturer's limited warranty.
TAYWAR0205	Twenty (20) ton Condensing Unit (Commercial Application) - One (1) year, parts and labor on all internal components. Coverage includes a new evaporator coil and thermostat if installed at the same time and identified on the Agreement. Coverage is supplemental to the manufacturer's limited warranty.
TAYWAR0206	One (1) through five (5) ton Condensing Unit only XL models (Residential Application) - Five (5) years parts and labor on all internal components. Coverage includes a new evaporator coil and thermostat if installed at the same time and identified on the Agreement. Coverage is supplemental to the manufacturer's limited warranty.
TAYWAR0207	Twenty (20) ton Condensing Unit (Commercial Application) - Five (5) years, parts only on all internal components. Coverage includes a new evaporator coil and thermostat if installed at the same time and identified on the Agreement. Coverage is supplemental to the manufacturer's limited warranty.
TAYWAR0208	One (1) through five (5) ton Compressor (Commercial Application) - One (1) year, parts only for the compressor. Coverage is supplemental to the manufacturer's limited warranty.
TAYWAR0209	One (1) through five (5) ton Compressor (Commercial Application) - One (1) year, labor only for the compressor. Coverage is supplemental to the manufacturer's limited warranty.
TAYWAR0210	One (1) through five (5) ton Compressor (Commercial Application) - One (1) year, parts and labor, for the compressor. Coverage is supplemental to the manufacturer's limited warranty.
TAYWAR0211	One (1) through five (5) ton Compressor only (Commercial Application) - Ten (10) years, parts only for the compressor. Coverage is supplemental to the manufacturer's limited warranty.
TAYWAR0212	One (1) through five (5) ton Compressor (Commercial Application) - Ten (10) years, labor only for the compressor. Coverage is supplemental to the manufacturer's limited warranty.
TAYWAR0213	One (1) through five (5) ton Compressor (Commercial Application) - Ten (10) years, parts and labor, for the compressor. Coverage is supplemental to the manufacturer's limited warranty.
TAYWAR0214	Six and one quarter (6.25) through seven and one half (7.5) ton Compressor (Commercial Application) - One (1) year, parts only for the compressor. Coverage is supplemental to the manufacturer's limited warranty.
TAYWAR0215	Six and one quarter (6.25) through seven and one half (7.5) ton Compressor (Commercial Application) - One (1) year, parts and labor, for the compressor. Renewable. Coverage is supplemental to the manufacturer's limited warranty.

Great care has been taken to ensure the accuracy of the information in the Extended Warranty section of the 2007 Trane Product Catalog. However, the information in the Trane Optional Extended Warranty Handbook (Publication No. 26-1019) supersedes all information contained herein.



NUMERICAL LIST OF PRODUCT COVERAGE

MODEL NUMBER	COVERAGE
TAYWAR0216	Six and one quarter (6.25) through seven and one half (7.5) ton Compressor (Commercial Application) - Five (5) years, labor only for the compressor. Coverage is supplemental to the manufacturer's limited warranty.
TAYWAR0217	Eight and one half (8.5) through ten (10) ton Compressor (Commercial Application) - One (1) year, parts only for the compressor. Coverage is supplemental to the manufacturer's limited warranty.
TAYWAR0218	Eight and one half (8.5) through ten (10) ton Compressor (Commercial Application) - One (1) year, parts and labor for the compressor. Renewable. Coverage is supplemental to the manufacturer's limited warranty.
TAYWAR0219	Eight and one half (8.5) through ten (10) ton Compressor (Commercial Application) - Five (5) years, labor only for the compressor. Coverage is supplemental to the manufacturer's limited warranty.
TAYWAR0220	Twelve and one half (12.5) ton Compressor (Commercial Application) - One (1) year, parts only for the compressor. Coverage is supplemental to the manufacturer's limited warranty.
TAYWAR0221	Twelve and one half (12.5) ton Compressor (Commercial Application) - One (1) year, parts and labor, for the compressor. Coverage is supplemental to the manufacturer's limited warranty.
TAYWAR0222	Twelve and one half (12.5) ton Compressor (Commercial Application) - Five (5) years, labor only for the compressor. Coverage is supplemental to the manufacturer's limited warranty.
TAYWAR0223	Fifteen (15) through Seventeen and one half (17.5) ton Compressor (Commercial Application) - One (1) year, parts only for the compressor. Coverage is supplemental to the manufacturer's limited warranty.
TAYWAR0224	Fifteen (15) through Seventeen and one half (17.5) ton Compressor (Commercial Application) - One (1) year, parts and labor, for the compressor. Renewable. Coverage is supplemental to the manufacturer's limited warranty.
TAYWAR0225	Fifteen (15) through Seventeen and one half (17.5) ton Compressor (Commercial Application) - Five (5) years, labor only for the compressor. Coverage is supplemental to the manufacturer's limited warranty.
TAYWAR0226	Twenty (20) ton Compressor (Commercial Application) - One (1) year, parts only for the compressor. Coverage is supplemental to the manufacturer's limited warranty.
TAYWAR0227	Twenty (20) ton Compressor (Commercial Application) - One (1) year, parts and labor, for the compressor. Coverage is supplemental to the manufacturer's limited warranty.
TAYWAR0228	Twenty (20) ton Compressor (Commercial Application) - Five (5) years, labor only for the compressor. Coverage is supplemental to the manufacturer's limited warranty.
TAYWAR0229	Twenty-five (25) ton Compressor (Commercial Application) - One (1) year, parts only for the compressor. Coverage is supplemental to the manufacturer's limited warranty.
TAYWAR0230	Twenty-five (25) ton Compressor (Commercial Application) - One (1) year, parts and labor, for the compressor. Coverage is supplemental to the manufacturer's limited warranty.
TAYWAR0231	Twenty-five (25) ton Compressor (Commercial Application) - Five (5) years, labor only for the compressor. Coverage is supplemental to the manufacturer's limited warranty.
TAYWAR0232	One (1) through five (5) ton Furnace or Air Handler, non-variable speed models (Residential Application) - One (1) year, parts only on all internal components. Coverage includes a new evaporator coil and thermostat if installed at the same time and identified on the Agreement. Coverage is supplemental to the manufacturer's limited warranty.

Great care has been taken to ensure the accuracy of the information in the Extended Warranty section of the 2005 Trane Product Catalog. However, the information in the Trane Optional Extended Warranty Handbook (Publication No. 26-1019) supersedes all information contained herein.



NUMERICAL LIST OF PRODUCT COVERAGE

MODEL NUMBER	COVERAGE
TAYWAR0233	One (1) through five (5) ton Furnace or Air Handler, non-variable speed models (Commercial Application) - One (1) year, parts only on all internal components. Coverage includes a new evaporator coil and thermostat if installed at the same time and identified on the Agreement. Coverage is supplemental to the manufacturer's limited warranty.
TAYWAR0234	One (1) through five (5) ton Furnace or Air Handler, non-variable speed models (Commercial Application) - One (1) year, parts and labor on all internal components. Coverage includes a new evaporator coil and thermostat if installed at the same time and identified on the Agreement. Coverage is supplemental to the manufacturer's limited warranty.
TAYWAR0235	One (1) through five (5) ton Furnace or Air Handler, non-variable speed models (Commercial Application) - Five (5) years, parts only on all internal components. Coverage includes a new evaporator coil and thermostat if installed at the same time and identified on the Agreement. Coverage is supplemental to the manufacturer's limited warranty.
TAYWAR0236	One (1) through five (5) ton Furnace or Air Handler, non-variable speed models (Commercial Application) - Five (5) years, parts and labor on all internal components. Coverage includes a new evaporator coil and thermostat if installed at the same time and identified on the Agreement. Coverage is supplemental to the manufacturer's limited warranty.
TAYWAR0237	One (1) through five (5) ton Furnace or Air Handler, non-variable speed models, (Commercial Application) - Ten (10) years, parts only on all internal components. Coverage includes a new evaporator coil and thermostat if installed at the same time and identified on the Agreement. Coverage is supplemental to the manufacturer's limited warranty.
TAYWAR0238	One (1) through five (5) ton Furnace or Air Handler, non-variable speed models (Commercial Application) - Ten (10) years, parts and labor, on all internal components. Coverage includes a new evaporator coil and thermostat if installed at the same time and identified on the Agreement. Coverage is supplemental to the manufacturer's limited warranty.
TAYWAR0239	One (1) through five (5) ton Furnace or Air Handler, non-variable speed models, (Commercial Application) - Fifteen (15) years, parts only on all internal components. Coverage includes new evaporator coil and thermostat if installed at the same time and identified on the Agreement. Coverage is supplemental to the manufacturer's limited warranty.
TAYWAR0240	One (1) through five (5) ton Furnace or Air Handler, non-variable speed models, (Commercial Application) - Fifteen (15) years, parts and labor on all internal components. Coverage includes new evaporator coil and thermostat if installed at the same time and identified on the Agreement. Coverage is supplemental to the manufacturer's limited warranty.
TAYWAR0241	One (1) through five (5) ton Heat Exchanger (Commercial Application) - Ten (10) years, parts only, to cover failures from rupture, splitting or faulty welds. Coverage is supplemental to the manufacturer's limited warranty.
TAYWAR0242	One (1) through five (5) ton Heat Exchanger (Commercial Application) - Ten (10) years, parts and labor, to cover failures from rupture, splitting or faulty welds. Coverage is supplemental to the manufacturer's limited warranty.
TAYWAR0243	One (1) through five (5) ton Heat Exchanger (Commercial Application) - Fifteen (15) years, parts only. Covers failures resulting from rupture, splitting or faulty welds. Coverage is supplemental to the manufacturer's limited warranty.
TAYWAR0244	One (1) through five (5) ton Heat Exchanger (Commercial Application) - Fifteen (15) years, parts and labor, to cover failures from rupture, splitting or faulty welds. Coverage is supplemental to the manufacturer's limited warranty.

Great care has been taken to ensure the accuracy of the information in the Extended Warranty section of the 2007 Trane Product Catalog. However, the information in the Trane Optional Extended Warranty Handbook (Publication No. 26-1019) supersedes all information contained herein.



NUMERICAL LIST OF PRODUCT COVERAGE

MODEL NUMBER	COVERAGE
TAYWAR0245	One (1) through five (5) ton Heat Exchanger (Commercial Application) - Twenty (20) years, parts only, to cover failures from rupture, splitting or faulty welds. Coverage is supplemental to the manufacturer's limited warranty.
TAYWAR0247	Six and one quarter (6.25) through twelve and one half (12.5) ton Heat Exchanger (Commercial Application) - Ten (10) years, parts and labor, to cover failures from rupture, splitting or faulty welds. Coverage is supplemental to the manufacturer's limited warranty.
TAYWAR0248	Six and one quarter (6.25) through twelve and one half (12.5) ton Heat Exchanger (Commercial Application) - Fifteen (15) years, parts and labor, to cover failures from rupture, splitting or faulty welds. Coverage is supplemental to the manufacturer's limited warranty.
TAYWAR0249	Fifteen (15) through Seventeen and one half (17.5) ton Heat Exchanger (Commercial Application) - Ten (10) years, parts and labor, to cover failures from rupture, splitting or faulty welds. Coverage is supplemental to the manufacturer's limited warranty.
TAYWAR0250	Fifteen (15) through Seventeen and one half (17.5) ton Heat Exchanger (Commercial Application) - Fifteen (15) years, parts and labor, to cover failures from rupture, splitting or faulty welds. Coverage is supplemental to the manufacturer's limited warranty.
TAYWAR0251	Twenty (20) ton Heat Exchanger (Commercial Application) - Five (5) years, parts and labor, to cover failures from rupture, splitting or faulty welds. Coverage is supplemental to the manufacturer's limited warranty.
TAYWAR0252	Twenty (20) ton Heat Exchanger (Commercial Application) - Ten (10) years, parts and labor, to cover failures from rupture, splitting or faulty welds. Coverage is supplemental to the manufacturer's limited warranty.
TAYWAR0253	Twenty-five (25) ton Heat Exchanger (Commercial Application) - Five (5) years, parts and labor, to cover failures from rupture, splitting or faulty welds. Coverage is supplemental to the manufacturer's limited warranty.
TAYWAR0254	Twenty-five (25) ton Heat Exchanger (Commercial Application) - Ten (10) years, parts and labor, to cover failures from rupture, splitting or faulty welds. Coverage is supplemental to the manufacturer's limited warranty.
TAYWAR0255	One (1) through five (5) ton Water Source Package System (Residential Application) - Ten (10) years, parts and labor to cover all internal components. Coverage includes a new thermostat if installed with the system and identified on the Agreement. Excludes the ground loop or water loop and any repairs made necessary because of faults in the ground loop or water loop. Coverage is supplemental to the manufacturer's limited warranty.
TAYWAR0256	One (1) through five (5) ton Compressor (Commercial Application) - Five (5) years, labor only for the compressor. Coverage is supplemental to the manufacturer's limited warranty.
TAYWAR0257	Twenty (20) ton Condensing Unit (Commercial Application) - Five (5) years, parts and labor on all internal components. Coverage includes a new evaporator coil and thermostat if installed at the same time and identified on the Agreement. Coverage is supplemental to the manufacturer's limited warranty.
TAYWAR0260	Evaporator coil coverage when installed with one (1) through five (5) ton equipment (Residential or Commercial Application) - One (1) year, parts only. Coverage is supplemental to the manufacturer's limited warranty.
TAYWAR0261	Evaporator coil coverage when installed with one (1) through five (5) tons equipment (Residential or Commercial Application) - One (1) years, part and labor. Coverage is supplemental to the manufacturer's limited warranty.

Great care has been taken to ensure the accuracy of the information in the Extended Warranty section of the 2005 Trane Product Catalog. However, the information in the Trane Optional Extended Warranty Handbook (Publication No. 26-1019) supersedes all information contained herein.



NUMERICAL LIST OF PRODUCT COVERAGE

MODEL NUMBER	COVERAGE
TAYWAR0262	Evaporator coil, installed with equipment one (1) through five (5) tons (Residential or Commercial Application) - Five (5) years parts only. Coverage is supplemental to the manufacturer's limited warranty.
TAYWAR0263	Evaporator coil, installed with Trane equipment one (1) through five (5) tons (Residential or Commercial Application) - Five (5) years parts and labor. Coverage is supplemental to the manufacturer's limited warranty.
TAYWAR0264	Evaporator coil, installed with Trane equipment one (1) through five (5) tons (Residential or Commercial Application) - Ten (10) years parts only. Coverage is supplemental to the manufacturer's limited warranty.
TAYWAR0265	Evaporator coil, installed with Trane equipment one (1) through five (5) tons (Residential or Commercial Application) - Ten (10) years parts and labor. Coverage is supplemental to the manufacturer's limited warranty.
TAYWAR0267	One (1) through five (5) ton Integrated Zone System (Residential or Commercial Application) - Five (5) years, parts & labor, when installed with a complete Trane system. Coverage includes all internal components of the damper system. Coverage is supplemental to the manufacturer's limited warranty.
TAYWAR0268	One (1) through five (5) ton Integrated Zone System (Residential or Commercial Application) - Ten (10) years, parts & labor, when installed with a complete Trane system. Coverage includes all internal components of the damper system. Coverage is supplemental to the manufacturer's limited warranty.
TAYWAR0269	Six and one quarter (6.25) through twenty (20) ton Air Handler, non- variable speed model (Commercial Application) - One (1) year, parts only on all internal components. Coverage includes a new evaporator coil and thermostat if installed at the same time and identified on the Agreement. Coverage is supplemental to the manufacturer's limited warranty.
TAYWAR0270	Six and one quarter (6.25) through twenty (20) ton Air Handler, non- variable speed models, (Commercial Application) - One (1) year, parts and labor on all internal components. Coverage includes a new evaporator coil and thermostat if installed at the same time and identified on the Agreement. Coverage is supplemental to the manufacturer's limited warranty.
TAYWAR0271	Six and one quarter (6.25) through twenty (20) ton Air Handler, non- variable speed models, (Commercial Application) - Five (5) years, parts only on all internal components. Coverage includes a new evaporator coil and thermostat if installed at the same time and identified on the Agreement. Coverage is supplemental to the manufacturer's limited warranty.
TAYWAR0272	Six and one quarter (6.25) through twenty (20) ton Air Handler, non- variable speed models, (Commercial Application) - Five (5) years, parts and labor on all internal components. Coverage includes a new evaporator coil and thermostat if installed at the same time and identified on the Agreement. Coverage is supplemental to the manufacturer's limited warranty.
TAYWAR0273	One (1) through five (5) ton Furnace or Air Handler, variable speed (Residential Application) - One (1) year, parts only on all internal components. Coverage includes a new evaporator coil and thermostat if installed at the same time and identified on the Agreement. Coverage is supplemental to the manufacturer's limited warranty.
TAYWAR0274	One (1) through five (5) ton Furnace or Air Handler, variable speed (Residential Application) - One (1) year, parts and labor on all internal components. Coverage includes a new evaporator coil and thermostat if installed at the same time and identified on the Agreement. Coverage is supplemental to the manufacturer's limited warranty.

Great care has been taken to ensure the accuracy of the information in the Extended Warranty section of the 2007 Trane Product Catalog. However, the information in the Trane Optional Extended Warranty Handbook (Publication No. 26-1019) supersedes all information contained herein.



NUMERICAL LIST OF PRODUCT COVERAGE

MODEL NUMBER	COVERAGE
TAYWAR0275	One (1) through five (5) ton Furnace or Air Handler, variable speed (Residential Application) - Five (5) years, parts only on all internal components. Coverage includes a new evaporator coil and thermostat if installed at the same time and identified on the Agreement. Coverage is supplemental to the manufacturer's limited warranty.
TAYWAR0276	One (1) through five (5) ton Furnace or Air Handler, variable speed (Residential Application) - Five (5) years, parts and labor on all internal components. Coverage includes a new evaporator coil and thermostat if installed at the same time and identified on the Agreement. Coverage is supplemental to the manufacturer's limited warranty.
TAYWAR0277	One (1) through five (5) ton Furnace or Air Handler, variable speed (Residential Application) - Ten (10) years, parts only on all internal components. Coverage includes a new evaporator coil and thermostat if installed at the same time and identified on the Agreement. Coverage is supplemental to the manufacturer's limited warranty.
TAYWAR0278	One (1) through five (5) ton Furnace or Air Handler, variable speed (Residential Application) - Ten (10) years, parts and labor on all internal components. Coverage includes a new evaporator coil and thermostat if installed at the same time and identified on the Agreement. Coverage is supplemental to the manufacturer's limited warranty.
TAYWAR0279	One (1) through five (5) ton Furnace or Air Handler, variable speed (Commercial Application) - One (1) year, parts only on all internal components. Coverage includes a new evaporator coil and thermostat if installed at the same time and identified on the Agreement. Coverage is supplemental to the manufacturer's limited warranty.
TAYWAR0280	One (1) through five (5) ton Furnace or Air Handler, variable speed (Commercial Application) - One (1) year, parts and labor on all internal components. Coverage includes a new evaporator coil and thermostat if installed at the same time and identified on the Agreement. Coverage is supplemental to the manufacturer's limited warranty.
TAYWAR0281	One (1) through five (5) ton Furnace or Air Handler, variable speed (Commercial Application) - Five (5) years, parts only on all internal components. Coverage includes a new evaporator coil and thermostat if installed at the same time and identified on the Agreement. Coverage is supplemental to the manufacturer's limited warranty.
TAYWAR0282	One (1) through five (5) ton Furnace or Air Handler, variable speed (Commercial Application) - Five (5) years, parts and labor on all internal components. Coverage includes a new evaporator coil and thermostat if installed at the same time and identified on the Agreement. Coverage is supplemental to the manufacturer's limited warranty.
TAYWAR0283	One (1) through five (5) ton Furnace or Air Handler, variable speed (Commercial Application) - Ten (10) years, parts only on all internal components. Coverage includes a new evaporator coil and thermostat if installed at the same time and identified on the Agreement. Coverage is supplemental to the manufacturer's limited warranty.
TAYWAR0284	One (1) through five (5) ton Furnace or Air Handler, variable speed (Commercial Application) - Ten (10) years, parts and labor on all internal components. Coverage includes a new evaporator coil and thermostat if installed at the same time and identified on the Agreement. Coverage is supplemental to the manufacturer's limited warranty.

Great care has been taken to ensure the accuracy of the information in the Extended Warranty section of the 2005 Trane Product Catalog. However, the information in the Trane Optional Extended Warranty Handbook (Publication No. 26-1019) supersedes all information contained herein.



NUMERICAL LIST OF PRODUCT COVERAGE

MODEL NUMBER	COVERAGE
TAYWAR0285	Six (6) through twenty-five (25) ton Programmable Thermostat (Residential or Commercial Application) - One (1) year, parts and labor, on all internal components. Coverage is supplemental to the manufacturer's limited warranty.
TAYWAR0286	Five (5) through twenty-five (25) ton Economizer (Residential or Commercial Application) - One (1) year, parts and labor on all internal components. Coverage is supplemental to the manufacturer's limited warranty.
TAYWAR0288	One (1) through five (5) ton Furnace or Air Handler, variable speed (Residential Application) - Fifteen (15) years, parts only on all internal components. Coverage includes evaporator coil and thermostat if installed at the same time and identified on the Agreement. Coverage is supplemental to the manufacturer's limited warranty.
TAYWAR0289	One (1) through five (5) ton Furnace or Air Handler, variable speed (Residential Application) - Fifteen (15) years, parts and labor on all internal components. Coverage includes evaporator coil and thermostat if installed at the same time and identified on the Agreement. Coverage is supplemental to the manufacturer's limited warranty.
TAYWAR0290	One (1) through five (5) ton Furnace or Air Handler, variable speed (Commercial Application) - Fifteen (15) years, parts only on all internal components. Coverage includes evaporator coil and thermostat if installed at the same time and identified on the Agreement. Coverage is supplemental to the manufacturer's limited warranty.
TAYWAR0291	One (1) through five (5) ton Furnace or Air Handler, variable speed (Commercial Application) - Fifteen (15) years, parts and labor on all internal components. Coverage includes evaporator coil and thermostat if installed at the same time and identified on the Agreement. Coverage is supplemental to the manufacturer's limited warranty.
TAYWAR0293	Non-programmable thermostat installed with one (1) through twenty-five (25) ton equipment (Residential or Commercial Application) - One (1) year, parts and labor on all internal components. Coverage is supplemental to the manufacturer's limited warranty.
TAYWAR0294	Non-programmable thermostat installed with equipment one (1) through twenty-five (25) tons (Residential or Commercial Application) - Five (5) years parts and labor on all internal components. Coverage is supplemental to the manufacturer's limited warranty.
TAYWAR0295	Non-programmable thermostat, installed with equipment one (1) through five (5) tons (Residential or Commercial Application) - Ten (10) years parts and labor on all internal components. Coverage is supplemental to the manufacturer's limited warranty.
TAYWAR0296	Non-programmable thermostat installed with equipment one (1) through five (5) tons (Residential or Commercial Application) Fifteen (15) years, parts and labor on all internal components. Coverage is supplemental to the manufacturer's limited warranty.
TAYWAR0309	Six (6) ton Compressor only installed in Water Source Systems (Residential Application) - One (1) year, parts only. Coverage is supplemental to the manufacturer's limited warranty.
TAYWAR0310	Six (6) ton Compressor only installed in Water Source Systems (Residential Application) - One (1) year, parts and labor. Coverage is supplemental to the manufacturer's limited warranty.
TAYWAR0311	Six (6) ton Compressor only installed in Water Source Systems (Residential Application) - Ten (10) years, parts only. Coverage is supplemental to the manufacturer's limited warranty.

Great care has been taken to ensure the accuracy of the information in the Extended Warranty section of the 2007 Trane Product Catalog. However, the information in the Trane Optional Extended Warranty Handbook (Publication No. 26-1019) supersedes all information contained herein.



NUMERICAL LIST OF PRODUCT COVERAGE

MODEL NUMBER	COVERAGE
TAYWAR0312	Six (6) ton Compressor only installed in Water Source Systems (Residential Application) - Ten (10) years, parts and labor. Coverage is supplemental to the manufacturer's limited warranty.
TAYWAR0313	Six (6) ton Water Source Package or Split System (Residential Application) - One (1) year, parts only on all internal components. Coverage includes a new thermostat and air handler if installed with the system and identified on the Agreement. Excludes the ground loop or water loop and any repairs made necessary because of faults in the ground loop or water loop. Coverage is supplemental to the manufacturer's limited warranty.
TAYWAR0314	Six (6) ton Water Source Package or Split System (Residential Application) - One (1) year, parts and labor on all internal components. Coverage includes a new thermostat and air handler if installed with the system and identified on the Agreement. Excludes the ground loop or water loop and any repairs made necessary because of faults in the ground loop or water loop. Coverage is supplemental to the manufacturer's limited warranty.
TAYWAR0315	Six (6) ton Water Source Package or Split System (Residential Application) - Five (5) years, parts only on all internal components. Coverage includes a new thermostat and air handler if installed with the system and identified on the Agreement. Excludes the ground loop or water loop and any repairs made necessary because of faults in the ground loop or water loop. Coverage is supplemental to the manufacturer's limited warranty.
TAYWAR0316	Six (6) ton Water Source Package or Split System (Residential Application) - Five (5) years, parts and labor on all internal components. Coverage includes a new thermostat and air handler if installed with the system and identified on the Agreement. Excludes the ground loop or water loop and any repairs made necessary because of faults in the ground loop or water loop. Coverage is supplemental to the manufacturer's limited warranty.
TAYWAR0317	Six (6) ton Water Source Package or Split System (Residential Application) - Ten (10) years, parts only on all internal components. Coverage includes a new thermostat and air handler if installed with the system and identified on the Agreement. Excludes the ground loop or water loop and any repairs made necessary because of faults in the ground loop or water loop. Coverage is supplemental to the manufacturer's limited warranty.
TAYWAR0318	Six (6) ton Water Source Package or Split System (Residential Application) - Ten (10) years, parts and labor on all internal components. Coverage includes a new thermostat and air handler if installed with the system and identified on the Agreement. Excludes the ground loop or water loop and any repairs made necessary because of faults in the ground loop or water loop. Coverage is supplemental to the manufacturer's limited warranty.
TAYWAR0319	Three (3) through six (6) ton complete II+ Split System XE/XR models (Residential Application) - One (1) year, parts and labor on all internal components. Coverage includes both XE/XR series condensing units and a new thermostat, air handler or furnace with evaporator coil if installed with the system and identified on the Agreement. Coverage is supplemental to the manufacturer's limited warranty.
TAYWAR0320	Three (3) through six (6) ton complete II+ Split System XE/XR models (Residential Application) - Five (5) years, parts and labor on all internal components. Coverage includes both XE/XR series condensing units, a new thermostat and air handler or furnace with evaporator coil if installed with the system and identified on the Agreement. Coverage is supplemental to the manufacturer's limited warranty.

Great care has been taken to ensure the accuracy of the information in the Extended Warranty section of the 2005 Trane Product Catalog. However, the information in the Trane Optional Extended Warranty Handbook (Publication No. 26-1019) supersedes all information contained herein.



NUMERICAL LIST OF PRODUCT COVERAGE

MODEL NUMBER	COVERAGE
TAYWAR0321	Three (3) through six (6) ton complete II+ Split System XE/XR models (Residential Application) - Ten (10) years, parts and labor on all internal components. Coverage includes both XE/XR series condensing units, a new thermostat and air handler or furnace with evaporator coil if installed with the system and identified on the Agreement. Coverage is supplemental to the manufacturer's limited warranty.
TAYWAR0322	Three (3) through six (6) ton complete II+ Split System XL models. (Residential Application) - One (1) year, parts and labor on all internal components. Coverage includes both XL series condensing units and a new thermostat, air handler or furnace with evaporator coil if installed with the system and identified on the Agreement. Coverage is supplemental to the manufacturer's limited warranty.
TAYWAR0323	Three (3) through six (6) ton complete II+ Split System XL models (Residential Application) - Five (5) years, parts and labor on all internal components. Coverage includes both XL series condensing units, a new thermostat and air handler or furnace with evaporator coil if installed with the system and identified on the Agreement. Coverage is supplemental to the manufacturer's limited warranty.
TAYWAR0324	Three (3) through six (6) ton complete II+ Split System XL models (Residential Application) - Ten (10) years, parts and labor on all internal components. Coverage includes both XL series condensing units, a new thermostat and air handler or furnace with evaporator coil if installed with the system and identified on the Agreement. Coverage is supplemental to the manufacturer's limited warranty.
TAYWAR0325	Three (3) through six (6) ton complete II+ Split System (Commercial Application) - One (1) year, parts and labor on all internal components. Coverage includes both condensing units and a new thermostat, air handler or furnace with evaporator coil if installed with the system and identified on the Agreement. Coverage is supplemental to the manufacturer's limited warranty.
TAYWAR0326	Three (3) through six (6) ton complete II+ Split System (Commercial Application) - Five (5) years, parts and labor on all internal components. Coverage includes both condensing units, a new thermostat and air handler or furnace with evaporator coil if installed with the system and identified on the Agreement. Coverage is supplemental to the manufacturer's limited warranty.
TAYWAR0327	Three (3) through six (6) ton complete II+ Split System (Commercial Application) - Ten (10) years, parts and labor on all internal components. Coverage includes both condensing units, a new thermostat and air handler or furnace with evaporator coil if installed with the system and identified on the Agreement. Coverage is supplemental to the manufacturer's limited warranty.
TAYWAR0331	One (1) through five (5) ton Heat Exchanger (Residential Application) - Ten (10) years, labor only. Covers failures resulting from rupture, splitting or faulty welds. Coverage is supplemental to the manufacturer's limited warranty.
TAYWAR0334	One (1) through five (5) ton Heat Exchanger (Commercial Application) - Ten (10) years, labor only. Covers failures resulting from rupture, splitting or faulty welds. Coverage is supplemental to the manufacturer's limited warranty.
TAYWAR0362	One (1) through five (5) ton Split System XL Comfort System Models (Residential Application) - Ten (10) years, parts and labor on all internal components. Coverage includes a new thermostat, electronic air cleaner and air handler or furnace with evaporator coil if installed with the system and identified on the Agreement. Coverage is supplemental to the manufacturer's limited warranty.
TAYWAR0363	One (1) through five (5) ton complete Package or Split System (Commercial Application) - Five (5) years, parts and labor on all internal components. Coverage includes a new thermostat, economizer and air handler or furnace with evaporator coil if installed with the system and identified on the Agreement. Labor is covered from start-up date. Coverage is supplemental to the manufacturer's limited warranty.

Great care has been taken to ensure the accuracy of the information in the Extended Warranty section of the 2007 Trane Product Catalog. However, the information in the Trane Optional Extended Warranty Handbook (Publication No. 26-1019) supersedes all information contained herein.



NUMERICAL LIST OF PRODUCT COVERAGE

MODEL NUMBER	COVERAGE
TAYWAR0364	Six & one quarter (6.25) through seven & one half (7.5) tons complete package system (Commercial Application) - Five (5) years, parts and labor on all internal components. Coverage includes a new thermostat, economizer and air handler or furnace with evaporator coil if installed with the system and identified on the Agreement. Labor is covered from start-up date. Coverage is supplemental to the manufacturer's limited warranty.
TAYWAR0365	Six & one quarter (6.25) through seven & one half (7.5) tons complete split system (Commercial Application) - Five (5) years, parts and labor on all internal components. Coverage includes a new thermostat, economizer and air handler or furnace with evaporator coil if installed with the system and identified on the Agreement. Labor is covered from start-up date. Coverage is supplemental to the manufacturer's limited warranty.
TAYWAR0366	Eight & one half (8.5) to ten (10) tons complete Package System (Commercial Application) - Five (5) years, parts and labor on all internal components. Coverage includes a new thermostat, economizer and air handler or furnace with evaporator coil if installed with the system and identified on the Agreement. Labor is covered from start-up date. Coverage is supplemental to the manufacturer's limited warranty.
TAYWAR0367	Eight & one half (8.5) to ten (10) tons complete Split System (Commercial Application) - Five (5) years, parts and labor on all internal components. Coverage includes a new thermostat, economizer and air handler or furnace with evaporator coil if installed with the system and identified on the Agreement. Labor is covered from start-up date. Coverage is supplemental to the manufacturer's limited warranty.
TAYWAR0368	Twelve & one half (12.5) tons complete Package System (Commercial Application) - Five (5) years, parts and labor on all internal components. Coverage includes a new thermostat, economizer and air handler or furnace with evaporator coil if installed with the system and identified on the Agreement. Labor is covered from start-up date. Coverage is supplemental to the manufacturer's limited warranty.
TAYWAR0369	Twelve & one half (12.5) tons complete Split System (Commercial Application) - Five (5) years, parts and labor on all internal components. Coverage includes a new thermostat, economizer and air handler or furnace with evaporator coil if installed with the system and identified on the Agreement. Labor is covered from start-up date. Coverage is supplemental to the manufacturer's limited warranty.
TAYWAR0370	Fifteen (15) through seventeen and one half (17.5) tons complete package system (Commercial Application) - Five (5) years, parts and labor on all internal components. Coverage includes a new thermostat, economizer and air handler or furnace with evaporator coil if installed with the system and identified on the Agreement. Labor is covered from start-up date. Coverage is supplemental to the manufacturer's limited warranty.
TAYWAR0371	Fifteen (15) through seventeen and one half (17.5) tons complete split system (Commercial Application) - Five (5) years, parts and labor on all internal components. Coverage includes a new thermostat, economizer and air handler or furnace with evaporator coil if installed with the system and identified on the Agreement. Labor is covered from start-up date. Coverage is supplemental to the manufacturer's limited warranty.
TAYWAR0372	Twenty (20) tons complete Package System (Commercial Application) - Five (5) years, parts and labor on all internal components. Coverage includes a new thermostat, economizer and air handler or furnace with evaporator coil if installed with the system and identified on the Agreement. Labor is covered from start-up date. Coverage is supplemental to the manufacturer's limited warranty.

Great care has been taken to ensure the accuracy of the information in the Extended Warranty section of the 2005 Trane Product Catalog. However, the information in the Trane Optional Extended Warranty Handbook (Publication No. 26-1019) supersedes all information contained herein.



NUMERICAL LIST OF PRODUCT COVERAGE

MODEL NUMBER	COVERAGE
TAYWAR0373	Twenty (20) tons complete Split System (Commercial Application) - Five (5) years, parts and labor on all internal components. Coverage includes a new thermostat, economizer and air handler or furnace with evaporator coil if installed with the system and identified on the Agreement. Labor is covered from start-up date. Coverage is supplemental to the manufacturer's limited warranty.
TAYWAR0374	Twenty-five (25) tons complete Package System (Commercial Application) - Five (5) years, parts and labor on all internal components. Coverage includes a new thermostat, economizer and air handler or furnace with evaporator coil if installed with the system and identified on the Agreement. Labor is covered from start-up date. Coverage is supplemental to the manufacturer's limited warranty.
TAYWAR0375	One (1) through five (5) ton Compressor only installed in Water Source Systems (Commercial Application) - One (1) year, parts only. Coverage is supplemental to the manufacturer's limited warranty.
TAYWAR0376	One (1) through five (5) ton Compressor only installed in Water Source Systems (Commercial Application) - One (1) year, part and labor. Coverage is supplemental to the manufacturer's limited warranty.
TAYWAR0377	One (1) through five (5) ton Compressor only installed in Water Source Systems (Commercial Application) - Ten (10) years, parts only. Coverage is supplemental to the manufacturer's limited warranty.
TAYWAR0378	One (1) through five (5) ton Compressor only installed in Water Source Systems (Commercial Application) - Ten (10) years, parts and labor. Coverage is supplemental to the manufacturer's limited warranty.
TAYWAR0379	One (1) through five (5) ton complete Package or Split System Water Source Systems (Commercial Application) - One (1) year, parts only on all internal components. Coverage includes a new thermostat if installed with the system and identified on the Agreement. Excludes the ground loop or water loop and any repairs made necessary because of faults in the ground loop or water loop. Coverage is supplemental to the manufacturer's limited warranty.
TAYWAR0380	One (1) through five (5) ton complete Package or Split System Water Source Systems (Commercial Application) - One (1) year, parts and labor on all internal components. Coverage includes a new thermostat if installed with the system and identified on the Agreement. Excludes the ground loop or water loop and any repairs made necessary because of faults in the ground loop or water loop. Coverage is supplemental to the manufacturer's limited warranty.
TAYWAR0381	One (1) through five (5) ton complete Package or Split System Water Source Systems (Commercial Application) - Five (5) years parts only on all internal components. Coverage includes a new thermostat if installed with the system and identified on the Agreement. Excludes the ground loop or water loop and any repairs made necessary because of faults in the ground loop or water loop. Coverage is supplemental to the manufacturer's limited warranty.
TAYWAR0382	One (1) through five (5) ton complete Package or Split System Water Source Systems (Commercial Application) - Five (5) years parts and labor on all internal components. Coverage includes a new thermostat and air handler if installed with the system and identified on the Agreement. Excludes the ground loop or water loop and any repairs made necessary because of faults in the ground loop or water loop. Coverage is supplemental to the manufacturer's limited warranty.
TAYWAR0383	One (1) through five (5) ton complete Package or Split System Water Source Systems (Commercial Application) - Ten (10) years parts only on all internal components. Coverage includes a new thermostat and air handler if installed with the system and identified on the Agreement. Excludes the ground loop or water loop and any repairs made necessary because of faults in the ground loop or water loop. Coverage is supplemental to the manufacturer's limited warranty.

Great care has been taken to ensure the accuracy of the information in the Extended Warranty section of the 2007 Trane Product Catalog. However, the information in the Trane Optional Extended Warranty Handbook (Publication No. 26-1019) supersedes all information contained herein.



NUMERICAL LIST OF PRODUCT COVERAGE

MODEL NUMBER	COVERAGE
TAYWAR0384	One (1) through five (5) ton complete Package or Split System Water Source Systems (Commercial Application) - Ten (10) years, parts and labor on all internal components. Coverage includes a new thermostat and air handler if installed with the system and identified on the Agreement. Excludes the ground loop or water loop and any repairs made necessary because of faults in the ground loop or water loop. Coverage is supplemental to the manufacturer's limited warranty.
TAYWAR0385	Six (6) ton Compressor only installed in Water Source Systems (Commercial Application) - One (1) year, parts only. Coverage is supplemental to the manufacturer's limited warranty.
TAYWAR0386	Six (6) ton Compressor only installed in Water Source Systems (Commercial Application) - One (1) year, part and labor. Coverage is supplemental to the manufacturer's limited warranty.
TAYWAR0387	Six (6) ton Compressor only installed in Water Source Systems (Commercial Application) - Ten (10) years, parts only. Coverage is supplemental to the manufacturer's limited warranty.
TAYWAR0388	Six (6) ton Compressor only installed in Water Source Systems (Commercial Application) - Ten (10) years, part and labor. Coverage is supplemental to the manufacturer's limited warranty.
TAYWAR0389	Six (6) ton Water Source Package or Split System (Commercial Application) - One (1) year, parts only on all internal components Coverage includes a new thermostat and air handler if installed with the system and identified on the Agreement. Excludes the ground loop or water loop and any repairs made necessary because of faults in the ground loop or water loop. Coverage is supplemental to the manufacturer's limited warranty.
TAYWAR0390	Six (6) ton Water Source Package or Split System (Commercial Application) - One (1) year, parts and labor on all internal components. Coverage includes a new thermostat and air handler if installed with the system and identified on the Agreement. Excludes the ground loop or water loop and any repairs made necessary because of faults in the ground loop or water loop. Coverage is supplemental to the manufacturer's limited warranty.
TAYWAR0391	Six (6) ton Water Source Package or Split System (Commercial Application) - Five (5) years, parts only on all internal components Coverage includes a new thermostat and air handler if installed with the system and identified on the Agreement. Excludes the ground loop or water loop and any repairs made necessary because of faults in the ground loop or water loop. Coverage is supplemental to the manufacturer's limited warranty.
TAYWAR0392	Six (6) ton Water Source Package or Split System (Commercial Application) - Five (5) years, parts and labor on all internal components. Coverage includes a new thermostat and air handler if installed with the system and identified on the Agreement. Excludes the ground loop or water loop and any repairs made necessary because of faults in the ground loop or water loop. Coverage is supplemental to the manufacturer's limited warranty.
TAYWAR0393	Six (6) ton Water Source Package or Split System (Commercial Application) - Ten (10) years, parts only on all internal components Coverage includes a new thermostat and air handler if installed with the system and identified on the Agreement. Excludes the ground loop or water loop and any repairs made necessary because of faults in the ground loop or water loop. Coverage is supplemental to the manufacturer's limited warranty.

Great care has been taken to ensure the accuracy of the information in the Extended Warranty section of the 2005 Trane Product Catalog. However, the information in the Trane Optional Extended Warranty Handbook (Publication No. 26-1019) supersedes all information contained herein.



NUMERICAL LIST OF PRODUCT COVERAGE

MODEL NUMBER	COVERAGE
TAYWAR0394	Six (6) ton Water Source Package or Split System (Commercial Application) - Ten (10) years, parts and labor on all internal components. Coverage includes a new thermostat and air handler if installed with the system and identified on the Agreement. Excludes the ground loop or water loop and any repairs made necessary because of faults in the ground loop or water loop. Coverage is supplemental to the manufacturer's limited warranty.
TAYWAR0395	One (1) through five (5) ton complete Package or Split System XE/XR models (Residential Application) - Ten (10) years, parts and labor on all internal components. Coverage includes a new thermostat, electronic air cleaner and air handler or furnace with evaporator coil if installed with the system and identified on the Agreement. Coverage is supplemental to the manufacturer's limited warranty.
TAYWAR0396	One (1) through five (5) ton Complete package or split system, XE/XR models, (Residential Application) – five (5) years, parts and labor, on all internal components. Includes new Trane condensing unit, thermostat and air handler or furnace with evaporator coil and humidifier if installed with the system and identified on the agreement. Coverage is supplemental to the manufacturer's limited warranty.
TAYWAR0397	One (1) through five (5) ton Complete package or split system, XE/XR models, (Residential Application) – ten (10) years, parts and labor, on all internal components. Includes new Trane condensing unit, thermostat and air handler or furnace with evaporator coil and humidifier if installed with the system and identified on the agreement. Coverage is supplemental to the manufacturer's limited warranty.
TAYWAR0398	One (1) through five (5) ton Complete split system, XL models, (Residential Application) – five (5) years, parts and labor, on all internal components. Includes new Trane condensing unit, thermostat and air handler or furnace with evaporator coil and humidifier if installed with the system and identified on the agreement. Coverage is supplemental to the manufacturer's limited warranty.
TAYWAR0399	One (1) through five (5) ton split system, XL models, (Residential Application) – ten (10) years, parts and labor, on all internal components. Includes new Trane condensing unit, thermostat and air handler or furnace with evaporator coil and humidifier if installed with the system and identified on the agreement. Coverage is supplemental to the manufacturer's limited warranty.
TAYWAR0400	One (1) through five (5) ton Complete package or split system, XE/XR Comfort System models, (Residential Application) – ten (10) years, parts and labor, on all internal components. Includes new Trane condensing unit, thermostat, electronic air cleaner, and air handler or furnace with evaporator coil and humidifier if installed with the system and identified on the agreement. Coverage is supplemental to the manufacturer's limited warranty.
TAYWAR0401	One (1) through five (5) ton Complete split system, XL Comfort System models, (Residential Application) – ten (10) years, parts and labor, on all internal components. Includes new Trane condensing unit, thermostat, electronic air cleaner, and air handler or furnace with evaporator coil and humidifier if installed with the system and identified on the agreement. Coverage is supplemental to the manufacturer's limited warranty.
TAYWAR0402	One (1) through five (5) ton furnace or air handler, non-variable speed models, (Residential Application) – five (5) years, parts and labor, on all internal components. A new thermostat, evaporator coil and humidifier are covered only if installed with the furnace and identified on the agreement. Coverage is supplemental to the manufacturer's limited warranty.

Great care has been taken to ensure the accuracy of the information in the Extended Warranty section of the 2007 Trane Product Catalog. However, the information in the Trane Optional Extended Warranty Handbook (Publication No. 26-1019) supersedes all information contained herein.



NUMERICAL LIST OF PRODUCT COVERAGE

MODEL NUMBER	COVERAGE
TAYWAR0403	One (1) through five (5) ton furnace or air handler, variable speed models, (Residential Application) – five (5) years, parts and labor, on all internal components. A new thermostat, evaporator coil and humidifier are covered only if installed with the furnace and identified on the agreement. Coverage is supplemental to the manufacturer's limited warranty.
TAYWAR0404	One (1) through five (5) ton furnace or air handler, non-variable speed models, (Residential Application) – ten (10) years, parts and labor, on all internal components. A new thermostat, evaporator coil and humidifier are covered only if installed with the furnace and identified on the agreement. Coverage is supplemental to the manufacturer's limited warranty.
TAYWAR0405	One (1) through five (5) ton Furnace, variable speed, (Residential Application) - Ten (10) years, parts and labor, on all internal components. A new evaporator coil and humidifier is covered only if installed with the furnace and identified on the agreement. Coverage is supplemental to the manufacturer's limited warranty.
TAYWAR0406	One (1) through five (5) ton complete Package or Split System, XE/XR models, (Residential Application) - Five (5) year, parts and labor on all internal components. Includes new Trane condensing unit, thermostat, air handler or furnace, humidifier and non-Trane evaporator coil if installed with the system and identified on the agreement. Coverage is supplemental to the manufacturer's limited warranty.
TAYWAR0407	One (1) through five (5) ton complete Package or Split System, XE/XR models, (Residential Application) - Ten (10) years, parts and labor, on all internal components. Includes new Trane condensing unit, thermostat, air handler or furnace, humidifier and non-Trane evaporator coil if installed with the system and identified on the agreement. Coverage is supplemental to the manufacturer's limited warranty.
TAYWAR0408	One (1) through five (5) ton complete Split System, XL models, (Residential Application) - Five (5) year, parts and labor, on all internal components. Includes new Trane condensing unit, thermostat, air handler or furnace, humidifier and non-Trane evaporator coil if installed with the system and identified on the agreement. Coverage is supplemental to the manufacturer's limited warranty.
TAYWAR0409	One (1) through five (5) ton complete Split System, XL models, (Residential Application) - Ten (10) years, parts and labor, on all internal components. Includes new Trane condensing unit, thermostat, air handler or furnace, humidifier and non-Trane evaporator coil if installed with the system and identified on the agreement. Coverage is supplemental to the manufacturer's limited warranty.
TAYWAR0410	One (1) through five (5) ton complete Package or Split System, XE/XR Comfort System Models, (Residential Application) - Ten (10) years, parts and labor on all internal components. Includes new Trane condensing unit, thermostat, air handler or furnace, humidifier and non-Trane evaporator coil if installed with the system and identified on the agreement. Coverage is supplemental to the manufacturer's limited warranty.
TAYWAR0411	One (1) through five (5) ton complete Split System, XL Comfort System Models, (Residential Application) - Ten (10) years, parts and labor on all internal components. Includes new Trane condensing unit, thermostat, electronic air cleaner, and air handler or furnace, humidifier and non-Trane evaporator coil if installed with the system and identified on the agreement. Coverage is supplemental to the manufacturer's limited warranty.
TAYWAR4003	Six & one quarter (6.25) through seven & one half (7.5) ton complete package system (Commercial Application) - Ten (10) years, parts and labor on all internal components. Coverage includes a new evaporator coil and thermostat if installed with the system and identified on the Agreement. Coverage is supplemental to the manufacturer's limited warranty.

Great care has been taken to ensure the accuracy of the information in the Extended Warranty section of the 2005 Trane Product Catalog. However, the information in the Trane Optional Extended Warranty Handbook (Publication No. 26-1019) supersedes all information contained herein.



NUMERICAL LIST OF PRODUCT COVERAGE

MODEL NUMBER	COVERAGE
TAYWAR4004	Six and one quarter (6.25) through seven and one half (7.5) ton Split System (Commercial Application) - Ten (10) years, parts and labor on all internal components. Coverage includes a new thermostat and air handler or furnace with evaporator coil if installed with the system and identified on the Agreement. Coverage is supplemental to the manufacturer's limited warranty.
TAYWAR4039	Ten (10) ton Compressor only (Commercial Application) - Ten (10) years, parts only. Coverage is supplemental to the manufacturer's limited warranty.
TAYWAR4040	Twelve and one half (12.5) ton Compressor only (Commercial Application) - Ten (10) years, parts only. Coverage is supplemental to the manufacturer's limited warranty.
TAYWAR4041	Fifteen (15) through twenty five (25) ton Compressor only (Commercial Application) - Ten (10) years, parts only. Coverage is supplemental to the manufacturer's limited warranty.
TAYWAR4042	Twenty (20) ton Compressor only - first year (Commercial Application) - One year (1) labor only. Coverage is supplemental to the manufacturer's limited warranty.
TAYWAR4046	One (1) through five (5) ton condensing unit only XE/XR models (Residential or Commercial Application) - Five (5) years, parts only, on all internal components. A new evaporator coil is covered when sold and installed with condensing unit and identified on the agreement. Servicer is reimbursed from Trane for the replacement parts based on the parts invoice. No parts mark-up will be paid. Coverage is supplemental to the manufacturer's limited warranty.
TAYWAR4051	One (1) through five (5) ton Compressor only (Residential or Commercial Application) - Ten (10) years, parts only. Servicer is reimbursed by the manufacturer for the replacement parts based on the parts invoice. No parts mark-up will be paid. Coverage is supplemental to the manufacturer's limited warranty.
TAYWAR4057	Eight & one half (8.5) through ten (10) ton complete Package system (Commercial Application) - Ten (10) years, parts and labor on all internal components. Coverage includes a new evaporator coil and thermostat if installed with the system and identified on the Agreement. Coverage is supplemental to the manufacturer's limited warranty.
TAYWAR4058	Twelve & one half (12.5) ton complete Package System (Commercial Application) - Ten (10) years, parts and labor on all internal components. Coverage includes a new evaporator coil and thermostat if installed with the system and identified on the Agreement. Coverage is supplemental to the manufacturer's limited warranty.
TAYWAR4059	Fifteen (15) through seventeen and one half (17.5) ton complete package system (Commercial Application) - Ten (10) years, parts and labor on all internal components. Coverage includes a new evaporator coil and thermostat if installed with the system and identified on the Agreement. Coverage is supplemental to the manufacturer's limited warranty.
TAYWAR4060	Eight and one half (8.5) through ten (10) ton complete Split system (Commercial Application) - Ten (10) years, parts and labor on all internal components. Coverage includes a new thermostat and air handler or furnace with evaporator coil if installed with the system and identified on the Agreement. Coverage is supplemental to the manufacturer's limited warranty.
TAYWAR4061	Economizer installed with equipment three (3) through twenty-five (25) (Commercial Application) - Ten (10) years, parts and labor on all internal components. Coverage is supplemental to the manufacturer's limited warranty. Coverage is supplemental to the manufacturer's limited warranty.
TAYWAR4071	Six and one quarter (6.25) through seven & one half (7.5) ton compressor only (Commercial Application) - Ten (10) years, parts only. This Coverage is supplemental to the manufacturer's limited warranty.

Great care has been taken to ensure the accuracy of the information in the Extended Warranty section of the 2007 Trane Product Catalog. However, the information in the Trane Optional Extended Warranty Handbook (Publication No. 26-1019) supersedes all information contained herein.



NUMERICAL LIST OF PRODUCT COVERAGE

MODEL NUMBER	COVERAGE
TAYWAR4072	Six and one quarter (6.25) through seven & one half (7.5) ton Condensing unit only (Commercial Application) - Ten (10) years, parts and labor on all internal components. Coverage includes a new evaporator coil and thermostat if installed at the same time and identified on the Agreement. Coverage is supplemental to the manufacturer's limited warranty.
TAYWAR4075	One (1) through five (5) ton complete Package or Split System XE Models (Residential or Commercial Application) - Ten (10) years, parts only on all internal components. Servicer is reimbursed from the manufacturer for the replacement parts based on the parts invoice. No parts mark-up will be paid. Coverage includes a new thermostat and air handler or furnace with evaporator coil if installed with the system and identified on the Agreement. Coverage is supplemental to the manufacturer's limited warranty.
TAYWAR4077	One (1) through five (5) ton Furnace or Air Handler, non-variable speed models (Residential or Commercial Application) - Ten (10) years, parts only on all internal components. Servicer is reimbursed from the manufacturer for the replacement parts based on the parts invoice. No parts mark-up will be paid. Coverage includes a new evaporator coil and thermostat if installed at the same time and identified on the Agreement. Coverage is supplemental to the manufacturer's limited warranty.
TAYWAR4078	One (1) through five (5) ton Furnace or Air Handler variable speed models (Residential or Commercial Application) - Ten (10) years, parts only on all internal components. Servicer is reimbursed from the manufacturer for the replacement parts based on the parts invoice. No parts mark-up will be paid. Coverage includes a new evaporator coil and thermostat if installed at the same time and identified on the Agreement. Coverage is supplemental to the manufacturer's limited warranty.
TAYWAR4079	One (1) through five (5) ton Condensing Unit only XE or XL Models (Residential or Commercial Application) - Ten (10) years, parts only on all internal components. Coverage includes a new evaporator coil and thermostat if installed at the same time and identified on the Agreement. Servicer is reimbursed from the manufacturer for the replacement parts based on the parts invoice. No parts mark-up will be paid. Coverage is supplemental to the manufacturer's limited warranty.
TAYWAR4082	Twenty (20) ton complete Package System (Commercial Application) - Ten (10) years parts and labor on all internal components. Coverage includes a new evaporator coil and thermostat if installed with the system and identified on the Agreement. Coverage is supplemental to the manufacturer's limited warranty.
TAYWAR4083	Twenty-five (25) ton complete Package System (Commercial Application) - Ten (10) years parts and labor on all internal components. Coverage includes a new evaporator coil and thermostat if installed with the system and identified on the Agreement. Coverage is supplemental to the manufacturer's limited warranty.
TAYWAR4086	One (1) through five (5) tons Furnace or Air Handler, non-variable speed models, (Residential Application) - Eleventh (11th) through Fifteenth (15th) years, parts and labor on all internal components. This warranty is only valid at time of installation and in conjunction with a ten (10) years, system or furnace parts and labor Extended Warranty. An evaporator coil is covered only and installed with the furnace and identified on the Agreement. Coverage is supplemental to the manufacturer's limited warranty.
TAYWAR4087	One (1) through five (5) tons Furnace or Air Handler, variable speed models, (Residential Application) - Eleventh (11th) through Fifteenth (15th) years, parts and labor on all internal components. This warranty is only valid at time of installation and in conjunction with a ten (10) years, system or furnace parts and labor Extended Warranty. Coverage includes new evaporator coil and thermostat if installed at the same time and identified on the Agreement. Coverage is supplemental to the manufacturer's limited warranty.

Great care has been taken to ensure the accuracy of the information in the Extended Warranty section of the 2005 Trane Product Catalog. However, the information in the Trane Optional Extended Warranty Handbook (Publication No. 26-1019) supersedes all information contained herein.



NUMERICAL LIST OF PRODUCT COVERAGE

MODEL NUMBER	COVERAGE
TAYWAR4093	Six and one quarter (6.25) through seven & one half (7.5) ton complete package system (Commercial Application) - Ten (10) years, parts and labor on all internal components. Coverage includes a new evaporator coil, thermostat and economizer if installed with the system and identified on the Agreement. Coverage is supplemental to the manufacturer's limited warranty.
TAYWAR4094	Six and one quarter (6.25) through seven & one half (7.5) ton complete split system - (Commercial Application) - Ten (10) years, parts and labor on all internal components. Coverage includes a new thermostat and air handler or furnace with evaporator coil and economizer if installed with the system and identified on the Agreement. Coverage is supplemental to the manufacturer's limited warranty.
TAYWAR4095	Eight and one half (8.5) through ten (10) ton complete Package system (Commercial Application) - Ten (10) years parts and labor, on all internal components. Coverage includes a new evaporator coil, thermostat and economizer if installed with the system and identified on the Agreement. Labor is covered from date of installation. Coverage is supplemental to the manufacturer's limited warranty.
TAYWAR4096	Eight and one half (8.5) through ten (10) ton complete Split System (Commercial Application) - Ten (10) years, parts and labor, on all internal components. Coverage includes a new thermostat and air handler or furnace with evaporator coil and economizer if installed with the system and identified on the Agreement. Coverage is supplemental to the manufacturer's limited warranty.
TAYWAR4098	Twelve and one half (12.5) ton complete Split System (Commercial Application) - Ten (10) years, parts and labor on all internal components. Coverage includes a new thermostat and air handler or furnace with evaporator coil if installed with the system and identified on the Agreement. Coverage is supplemental to the manufacturer's limited warranty.
TAYWAR4099	Fifteen (15) through seventeen and one half (17.5) ton complete split system (Commercial Application) - Ten (10) years, parts and labor on all internal components. Coverage includes a new thermostat and air handler or furnace with evaporator coil if installed with the system and identified on the Agreement. Coverage is supplemental to the manufacturer's limited warranty.
TAYWAR4100	Twenty ton complete Split System (Commercial Application) - Ten (10) years, parts and labor on all internal components. Coverage includes a new thermostat and air handler or furnace with evaporator coil if installed with the system and identified on the Agreement. Coverage is supplemental to the manufacturer's limited warranty.
TAYWAR4107	Eight and one half (8.5) through ten (10) ton Condensing Unit only (Commercial Application) - Ten (10) years, parts and labor on all internal components. Coverage includes a new evaporator coil and thermostat if installed at the same time and identified on the Agreement. Coverage is supplemental to the manufacturer's limited warranty.
TAYWAR4108	Twelve and one half (12.5) ton Condensing Unit only (Commercial Application) - Ten (10) years, parts and labor on all internal components. Coverage includes a new evaporator coil and thermostat if installed at the same time and identified on the Agreement. Coverage is supplemental to the manufacturer's limited warranty.
TAYWAR4109	Fifteen (15) through seventeen and one half (17.5) ton Condensing unit only (Commercial Application) - Ten (10) years, parts and labor on all internal components. Coverage includes a new evaporator coil and thermostat if installed at the same time and identified on the Agreement. Coverage is supplemental to the manufacturer's limited warranty.

Great care has been taken to ensure the accuracy of the information in the Extended Warranty section of the 2007 Trane Product Catalog. However, the information in the Trane Optional Extended Warranty Handbook (Publication No. 26-1019) supersedes all information contained herein.



NUMERICAL LIST OF PRODUCT COVERAGE

MODEL NUMBER	COVERAGE
TAYWAR4110	Twenty (20) ton Condensing Unit only (Commercial Application) - Ten (10) years, parts and labor on all internal components. Coverage includes a new evaporator coil and thermostat if installed at the same time and identified on the Agreement. Coverage is supplemental to the manufacturer's limited warranty.
TAYWAR4117	Fifteen (15) through twenty (20) ton Compressor only (Commercial Application) - Five (5) years, parts only. Servicer is reimbursed by the manufacturer for the replacement parts based on the parts invoice. No parts mark-up will be paid. Coverage is supplemental to the manufacturer's limited warranty.
TAYWAR4118	One (1) through five (5) ton epoxy coated coil indoor or outdoor only (Residential or Commercial Application) - Five (5) years, parts only on an epoxy coated coil indoor or outdoor. Servicer is reimbursed from the manufacturer for the replacement coil based on the parts invoice. No parts mark-up will be paid. Coverage is supplemental to the manufacturer's limited warranty.
TAYWAR4119	Six and one quarter (6.25) through Twelve and one half (12.5) ton epoxy coated coil indoor or outdoor only (Commercial Application) - Five (5) years, parts only on an epoxy coated coil indoor or outdoor. Servicer is reimbursed from the manufacturer for the replacement coil based on the parts invoice. No parts mark-up will be paid. Coverage is supplemental to the limited warranty.
TAYWAR4120	Fifteen (15) through twenty five (25) ton epoxy coated coil only indoor or outdoor (Commercial Application) - Five (5) years, parts only on an epoxy coated coil indoor or outdoor. Servicer is reimbursed from the manufacturer for the replacement coil based on the parts invoice. No parts mark-up will be paid. Coverage is supplemental to the manufacturer's limited warranty.
TAYWAR4121	Twenty-five (25) ton Compressor only (Commercial Application) - Five (5) years, parts only. Servicer is reimbursed by the manufacturer the manufacturer for the replacement compressor based on the parts invoice. No parts mark-up will be paid. Coverage is supplemental to the limited warranty.
TAYWAR4123	One (1) through five (5) ton Compressor only (Residential or Commercial Application) - Twelve (12) years, parts only. Servicer is reimbursed from the manufacturer for the replacement compressor based on the parts invoice. No parts mark-up will be paid. Coverage is supplemental to the limited warranty.
TAYWAR4124	Fifteen (15) through seventeen and one half (17.5) ton complete package system (Commercial Application) - Ten (10) years, part and labor on all internal components. Coverage includes a new evaporator coil, thermostat and economizer if installed with the system and identified on the Agreement. Labor is covered from date of installation. Coverage is supplemental to the manufacturer's limited warranty.
TAYWAR4143	One (1) through five (5) ton Furnace or Air Handler non-variable speed models (Residential or Commercial Application) - Twelve (12) years, parts only on all internal components. Coverage includes a new evaporator coil and thermostat if installed at the same time and identified on the Agreement. Servicer is reimbursed from the manufacturer for the replacement parts based on the parts invoice. No parts mark-up will be paid. Coverage is supplemental to the manufacturer's limited warranty.
TAYWAR4144	One (1) through five (5) ton Furnace or Air Handler variable speed models (Residential or Commercial Application) - Twelve (12) years, parts only on all internal components. An evaporator coil is covered only when installed with the furnace and identified on the Agreement. Servicer is reimbursed from the manufacturer for the replacement parts based on the parts invoice. No parts mark-up will be paid. Coverage is supplemental to the manufacturer's limited warranty.

Great care has been taken to ensure the accuracy of the information in the Extended Warranty section of the 2005 Trane Product Catalog. However, the information in the Trane Optional Extended Warranty Handbook (Publication No. 26-1019) supersedes all information contained herein.



NUMERICAL LIST OF PRODUCT COVERAGE

MODEL NUMBER	COVERAGE
TAYWAR4145	One (1) through five (5) ton Condensing Unit only (Residential or Commercial Application) - Twelve (12) years, parts only, on all internal components. Coverage includes a new evaporator coil if installed at the same time and identified on the Agreement. Servicer will be reimbursed from the manufacturer based on the parts invoice. No mark-up will be paid. Coverage is supplemental to the manufacturer's limited warranty.
TAYWAR4146	One (1) through five (5) ton complete Package or Split System (Residential or Commercial Application) - Twelve (12) years, parts only on all internal components. Coverage includes new thermostat and air handler or furnace with evaporator coil if installed with the system and identified on the Agreement. Servicer will be reimbursed from the manufacturer based on the parts invoice. No mark-up will be paid. Coverage is supplemental to the manufacturer's limited warranty.
TAYWAR4148	Twelve and one half (12.5) ton complete Package System (Commercial Application) - Ten (10) years, parts and labor on all internal components. Coverage includes a new evaporator coil, thermostat and economizer if installed with the system and identified on the Agreement. Labor is covered from date of installation. Coverage is supplemental to the manufacturer's limited warranty.
TAYWAR4150	One (1) through Five (5)ton Condensing Unit Only ... XE models ... (Residential or Commercial Application) - Five (5) years, parts and labor, on all internal components. A new evaporator coil is covered only when sold and installed with the condensing unit and identified on the agreement. Servicer is reimbursed from the Trane Company for the replacement parts based on the parts invoice. No parts mark-up will be paid. Coverage is supplemental to the manufacturer's limited warranty.
TAYWAR4151	One (1) through Five (5)ton Condensing Unit Only ... XE models ... (Residential or Commercial Application) - Ten (10) years, parts and labor, on all internal components. A new evaporator coil is covered only when sold and installed with the condensing unit and identified on the agreement. Servicer is reimbursed from the Trane Company for the replacement parts based on the parts invoice. No parts mark-up will be paid. Coverage is supplemental to the manufacturer's limited warranty.
TAYWAR4152	One (1) through Five (5)ton complete Package or Split System ... XE models ... (Residential or Commercial Application) - Five (5) year, parts and labor, on all internal components. Includes condensing unit, new thermostat and <u>non-variable speed</u> air handler or furnace with evaporator coil. Servicer is reimbursed from the Trane Company for the replacement parts based on the parts invoice. No parts mark-up will be paid coverage is supplemental to the manufacturer's limited warranty.
TAYWAR4153	One (1) through Five (5) ton complete Package or Split System ... XE models ... (Residential or Commercial Application) - Ten (10) year, parts and labor, on all internal components. Includes condensing unit, new thermostat and <u>non-variable speed</u> air handler or furnace with evaporator coil. Servicer is reimbursed from the Trane Company for the replacement parts based on the parts invoice. No parts mark-up will be paid coverage is supplemental to the manufacturer's limited warranty.
TAYWAR4198	One (1) through five (5) ton complete Package or Split System XB/XE/XR models ... (Residential Application) - One (1) year, parts and labor, on all internal components. Includes new Trane condensing unit, thermostat and air handler or furnace with new non-Trane evaporator coil if installed with the system and identified on the agreement. Coverage is supplemental to the manufacturer's limited warranty.

Great care has been taken to ensure the accuracy of the information in the Extended Warranty section of the 2007 Trane Product Catalog. However, the information in the Trane Optional Extended Warranty Handbook (Publication No. 26-1019) supersedes all information contained herein.



NUMERICAL LIST OF PRODUCT COVERAGE

MODEL NUMBER	COVERAGE
TAYWAR4199	One (1) through five (5) ton complete Split System ... XL models ... (Residential Application) - One (1) year, parts and labor, on all internal components. Includes new Trane condensing unit, thermostat and air handler or furnace with new non-Trane evaporator coil if installed with the system and identified on the agreement. Coverage is supplemental to the manufacturer's limited warranty.
TAYWAR4200	One (1) through five (5) ton complete Package or Split System ... XB/XE/XR models ... (Residential Application) - Five (5) year, parts and labor, on all internal components. Includes new Trane condensing unit, thermostat and air handler or furnace with new non-Trane evaporator coil if installed with the system and identified on the agreement. Coverage is supplemental to the manufacturer's limited warranty.
TAYWAR4201	One (1) through five (5) ton complete Split System ... XL models ... (Residential Application) – Five (5) year, parts and labor, on all internal components. Includes new Trane condensing unit, thermostat and air handler or furnace with new non-Trane evaporator coil if installed with the system and identified on the agreement. Coverage is supplemental to the manufacturer's limited warranty.
TAYWAR4202	One (1) through five (5) ton complete Package or Split System ... XE/XR models ... (Residential Application) - Ten (10) years, parts and labor, on all internal components. Includes new Trane condensing unit, thermostat and air handler or furnace with new non-Trane evaporator coil if installed with the system and identified on the agreement. Coverage is supplemental to the manufacturer's limited warranty.
TAYWAR4203	One (1) through five (5) ton complete Split System ... XL models ... (Residential Application) - Ten (10) years, parts and labor, on all internal components. Includes new Trane condensing unit, thermostat and air handler or furnace with new non-Trane evaporator coil if installed with the system and identified on the agreement. Coverage is supplemental to the manufacturer's limited warranty.
TAYWAR4204	One (1) through five (5) ton complete Package or Split System ... XE/XR Comfort System Models ... (Residential Application) - Ten (10) years, parts and labor on all internal components. Includes new Trane condensing unit, thermostat, electronic air cleaner, and air handler or furnace with new non-Trane evaporator coil if installed with the system and identified on the agreement. Coverage is supplemental to the manufacturer's limited warranty.
TAYWAR4205	One (1) through five (5) ton complete Split System ... XL Comfort System Models ... (Residential Application) - Ten (10) years, parts and labor on all internal components. Includes new Trane condensing unit, thermostat, electronic air cleaner, and air handler or furnace with new non-Trane evaporator coil if installed with the system and identified on the agreement. Coverage is supplemental to the manufacturer's limited warranty.
TAYWAR4206	One (1) through five (5) ton Condensing Unit only, XB/XE/XR models, (Residential Application) - One (1) year, parts and labor, on all internal components. Includes new Trane condensing unit and thermostat with new non-Trane evaporator coil if installed at the same time and identified on the agreement. Coverage is supplemental to the manufacturer's limited warranty.
TAYWAR4207	One (1) through five (5) ton Condensing Unit only, XL models, (Residential Application) - One (1) year, parts and labor, on all internal components. Includes new Trane condensing unit and thermostat with new non-Trane evaporator coil if installed at the same time and identified on the agreement. Coverage is supplemental to the manufacturer's limited warranty.

Great care has been taken to ensure the accuracy of the information in the Extended Warranty section of the 2005 Trane Product Catalog. However, the information in the Trane Optional Extended Warranty Handbook (Publication No. 26-1019) supersedes all information contained herein.



NUMERICAL LIST OF PRODUCT COVERAGE

MODEL NUMBER	COVERAGE
TAYWAR4208	One (1) through five (5) ton Condensing Unit only, XB/XE/XR models, (Residential Application) - Five (5) year, parts and labor, on all internal components. Includes new Trane condensing unit and thermostat with new non-Trane evaporator coil if installed at the same time and identified on the agreement. Coverage is supplemental to the manufacturer's limited warranty.
TAYWAR4209	One (1) through five (5) ton Condensing Unit only, XL models, (Residential Application) – Five (5) year, parts and labor, on all internal components. Includes new Trane condensing unit and thermostat with new non-Trane evaporator coil if installed at the same time and identified on the agreement. Coverage is supplemental to the manufacturer's limited warranty.
TAYWAR4210	One (1) through five (5) ton Condensing Unit only, XE/XR models, (Residential Application) - Ten (10) years, parts and labor, on all internal components. Includes new Trane condensing unit and thermostat with new non-Trane evaporator coil if installed at the same time and identified on the agreement. Coverage is supplemental to the manufacturer's limited warranty.
TAYWAR4211	One (1) through five (5) ton Condensing Unit only, XL models, (Residential Application) - Ten (10) years, parts and labor, on all internal components. Includes new Trane condensing unit and thermostat with new non-Trane evaporator coil if installed at the same time and identified on the agreement. Coverage is supplemental to the manufacturer's limited warranty.

Great care has been taken to ensure the accuracy of the information in the Extended Warranty section of the 2007 Trane Product Catalog. However, the information in the Trane Optional Extended Warranty Handbook (Publication No. 26-1019) supersedes all information contained herein.

Optional Extended Warranty Benefits

Consumer Benefits

Peace of Mind

- No unexpected out-of-pocket expenses*
- Repair/Replace option allows consumer to apply repair cost toward purchase price of new equipment
- Hedge against inflation (parts, labor and refrigerant)

Assurance of Commitment

- Trane dealer assigned to their agreement has up-to-date knowledge of equipment and service techniques
- Optional Extended Warranty is transferrable to subsequent homeowners should the original owner sell their home
- Cost effective as compared to other Extended Warranties (i.e., appliances, consumer electronics, automobiles)

Dealer Benefits

- Labor Coverage after 90th Day (lower labor reserves)
- Optional Extended Warranty contracts assign selling dealer as servicer of record which “locks in” customer for the life of the warranty
- Provides “In Warranty” parts markup (revenue opportunity)
- Additional profit opportunity by selling the Optional Extended Warranty (gross profit becomes close to net profit)
- Repair/Replace option allows consumer to apply repair costs toward purchase price of new equipment
- Dealer provides more comprehensive coverage which improves customer satisfaction with dealer and Trane
- Encourages the sale of Maintenance Agreements
- Commercial Product up to 25 tons can be covered up to 10 years for parts and labor
- New construction dealer can include Optional Extended Warranties, capturing customers they normally don't see (if agreement is put in the builder's name, the agreement can be transferred to the new homeowner at no charge)



*Covers labor, refrigerant, diagnostics, and parts, subject to product coverage and terms and conditions.

Great care has been taken to ensure the accuracy of the information in the Extended Warranty section of the 2005 Trane Product Catalog. However, the information in the Trane Optional Extended Warranty Handbook (Publication No. 26-1019) supersedes all information contained herein.

Optional Extended Warranty Benefits



Example:

Assumptions:

- Unit is 4 years old and an Evaporator Coil must be replaced
- Evaporator Coil is an in-warranty part that would normally cost \$500 if purchased
- Dealer has \$70/hr. labor rate (time and material, not flat rate)
- 7 lbs. of R410A needed for repair (dealer cost is \$11/lb.)

Consumer has 10-Yr. P&L, Lbr. Opt. 3			Consumer has No	Difference
EW Pays Dealer			Optional Extended Warranty	
			Consumer Pays Dealer	
Labor	Travel (2 hrs.)	\$ 140.00	\$ 140.00	\$ -
	Diagnostic (.5 hrs.)	\$ 35.00	\$ 35.00	\$ -
	Repair (4.5 hrs.)	\$ 315.00	\$ 315.00	\$ -
	Total	\$ 490.00	\$ 490.00	\$ -
Parts	Coil (.5 x normal cost)	\$ 250.00	\$ - (in-warranty part)	\$ 250.00
	R410A (2 x #lbs. x dealer cost)	\$ 154.00	\$ 154.00	\$ -
Total		\$ 894.00	\$ 644.00	\$ 250.00
	Profit on Parts	\$ 327.00	\$ 77.00	\$ 250.00

- In the above example, even with a 10-year Limited Warranty on parts, the consumer still paid \$644 for a coil replacement, and you made only \$77 in profit on parts. With the Optional Extended Warranty, the consumer pays nothing for the repair and you made an additional \$250 in profit on parts



Selling Story:

- The Optional Extended Warranty should be offered at time of sale (can be included with financing)
- Use the Optional Extended Warranty Sales Brochure, Pub. No. 26-1016-07 and the consumer benefits on the reverse side
- Point out that Limited Warranty does not cover refrigerant or labor
- If the Optional Extended Warranty is "included" in the total proposal, it is much easier to sell
- If you are in a "regulated" state, you must provide the actual purchase price (not to be less than your actual cost) on the Optional Extended Warranty Application. This amount will appear on the consumer's agreement (see your Extended Warranty Handbook for more information on selling Optional Extended Warranties in "regulated" states)

Great care has been taken to ensure the accuracy of the information in the Extended Warranty section of the 2007 Trane Product Catalog. However, the information in the Trane Optional Extended Warranty Handbook (Publication No. 26-1019) supersedes all information contained herein.



Horizontal/Downflow Packaged Cooling Factory Installed Options (FIOPS)

Accessories:

Model Number	Description	Used With
Switches		
FIYDFPS005A	Clogged Filter Switch	All Voyager Units w/FIYABRD002B
FIYDFPS006A	Fan Failure Switch	All Voyager Units w/FIYABRD002B
Economizer Actuator Logic Module		
Economizer Actuator Logic Module is required with FIOPS (Factory Installed Options) Enthalpy and Novar Controls.		
FIYLGCM001A	Economizer Actuator Logic Module	All Voyager 12½-25 Tons with Economizer
Enthalpy Kits		
Must select Economizer Actuator Logic Module (FIYLGCM001A) in order to configure and price a Voyager unit. This module does not need to be selected when ordering the field installed accessory.		
FIYENTH007A	Reference Enthalpy	Downflow Units w/A,C or G in 10th Digit
FIYENTH008A	Comparative Enthalpy	Downflow Units w/A,C or G in 10th Digit
TCI		
FIYICSI004B	Trane Communication Interface	TC*150-301**
LCI		
FIYLTCI003B	LonTalk Interface	TC*150-301
Discharge Air Sensing Kit		
Used for true discharge air sensing in models with electric heat. Functional only with ReliaTel™ Options Module (FIYABRD002B).		
FIYTUBE009A	Discharge Air Sensing Kit	TCH150-301B1,3,4,W;C3,4,W;D3,4,W (w/FIYABRD002B)
FIYTUBE008A	Discharge Air Sensing Kit	TCD150-301B1,3,4,W;C3,4,W;D3,4,W (w/FIYABRD002B)
Convenience Outlet		
Must be ordered with Through-the-Base Electrical option and either Unit Mounted Disconnect or Circuit Breaker (downflow only).		
FIYCOPO201A	Powered, 120V Convenience Outlet, 230V TCD150-300*3	
FIYCOPO202A	Powered, 120V Convenience Outlet, 460V TCD150-300*4	
FIYCOUP201A	Unpowered, 115V Convenience Outlet	TCD150-300
Tool-less Condenser Hail Guard		
FIYGARD001B	Tool-less Condenser Hail Guard	TC*150D
FIYGARD002B	Tool-less Condenser Hail Guard	TC*151C,180B,210C
FIYGARD003A	Tool-less Condenser Hail Guard	TC*181C,211C,241C,301C,240B
FIYGARD005A	Tool-less Condenser Hail Guard	TC*300B
Novar Controls		
The Novar control option includes the following factory installed and wired devices: Novar ETM-2024 rooftop controller, fan proving switch, clogged filter or unit shutdown switch, Cool 1, Cool 2, Heat switch and discharge air sensor (downflow only) (Novar # DTS-30, 20-170°F). NOTE: Option cannot be ordered in conjunction with FIOPS Smoke Detector option. Novar Controls with an economizer in the 10th digit (Digit 10=A,C,G,K,L,N,R) will also be required to select the Economizer Actuator Logic Module.		
FIYCNTL013A	Novar Control, 208-230V	TCD150-301*3
FIYCNTL015A	Novar Control, 460 & 575V	TCD150-301*4,W
Novar Controls-3051		
The Novar control option includes the following factory installed and wired devices: Novar 3051 rooftop controller, fan proving switch, clogged filter or unit shutdown switch, and discharge air sensor (Novar # DTS-30, 20-170°F) (downflow only). NOTE: This option can be ordered in conjunction with factory installed Smoke Detector option. It cannot be ordered in conjunction with with economizer, either field or factory installed. Novar Controls with an economizer in the 10th digit (Digit 10=A,C,G,K,L,N,R) will also be required to select the Economizer Actuator Logic Module.		
FIYCNTL016A	Novar Control, 460 and 575V	TCD181,211,240,241,300,301*4,W
FIYCNTL017A	Novar Control, 208-230V	TCD150,151,180,210*3
FIYCNTL018A	Novar Control, 460 and 575V	TCD150,151,180,210*4,W
FIYCNTL019A	Novar Control, 208-230V	TCD181,211,240,241,300,301*3
Novar Zone Sensor		
This option consist of a Novar Zone Sensor (Novar #WTS-SOS) used with Novar 3051 Controls.		
FIYNZSR001A	Novar Zone Sensor for Novar 3051	FIYCNTL016A



Horizontal/Downflow Packaged Cooling Factory Installed Options (FIOPS)

Accessories:

Model Number	Description	Used With
Novar Return Air Sensor		
This option consists of the Novar return air sensor (Novar # WTS-10) that is wired and shipped in the return air section of the unit. The sensor ships with approximately 15' of extra wire for dropping down the return air duct (downflow only).		
FIYNRAS001A	Return Air Sensor	FIYCNTL013A and FIYCNTL015A
Filter & Control Access		
(Downflow units only)		
FIYHNGE004A	Hinged Filter/Evap. and Comp./Control Access Door	TCD150,180,210
FIYHNGE005A	Hinged Filter/Evap. and Comp./Control Access Door	TCD300
FIYHNGE008A	Hinged Filter/Evap. and Comp./Control Access Door	TCD151
FIYHNGE009A	Hinged Filter/Evap. and Comp./Control Access Door	TCD181-301C3,4,W, TCD181,211,240,241,301
Disconnect Switch		
Must be used with Through-the-Base Electrical option (downflow only). Cannot be fused.		
FIYUDC4150A	Unit Mounted Disconnect Switch	Consult Matrix Sheets
FIYUDC3250A	Unit Mounted Disconnect Switch	Consult Matrix Sheets
FIYUDC6100A	Unit Mounted Disconnect Switch	Consult Matrix Sheets
High Efficiency Motors		
Can use used on downflow or horizontal units unless specified on matrix sheets.		
FIYHEMT001A	2 HP High Effic. Motor (86.5 Eff.)(208-230/460/60/3)	Consult Matrix Sheets
FIYHEMT002A	2 HP High Effic. Motor (86.5 Eff.)(575/60/3)	Consult Matrix Sheets
FIYHEMT003A	3 HP High Effic. Motor (89.5 Eff.)(208-230/60/3)	Consult Matrix Sheets
FIYHEMT004A	3 HP High Effic. Motor (89.5 Eff.)(460/60/3)	Consult Matrix Sheets
FIYHEMT005A	3 HP High Effic. Motor (89.5 Eff.)(575/60/3)	Consult Matrix Sheets
FIYHEMT006A	5 HP High Effic. Motor (91.0 Eff.)(208-230/60/3)	Consult Matrix Sheets
FIYHEMT007A	5 HP High Effic. Motor (91.0 Eff.)(460/60/3)	Consult Matrix Sheets
FIYHEMT008A	5 HP High Effic. Motor (91.0 Eff.)(575/60/3)	Consult Matrix Sheets
FIYHEMT009A	7½ HP High Effic. Motor (90.2 Eff.)(208-230/60/3)	Consult Matrix Sheets
FIYHEMT010A	7½ HP High Effic. Motor (90.2 Eff.)(460/60/3)	Consult Matrix Sheets
FIYHEMT011A	7½ HP High Effic. Motor (90.2 Eff.)(575/60/3)	Consult Matrix Sheets
Circuit Breaker		
Must be used with Through-the-Base Electrical option (downflow only).		
FIYUCB4015A	Unit Mounted Circuit Breaker	Consult Matrix Sheets
FIYUCB4020A	Unit Mounted Circuit Breaker	Consult Matrix Sheets
FIYUCB4025A	Unit Mounted Circuit Breaker	Consult Matrix Sheets



It's Hard To Stop A Trane.®

Horizontal/Downflow Packaged Cooling Factory Installed Options (FIOPS)

Accessories:

Model Number	Description	Used With
Circuit Breaker (Contd.)		
FIYUCB4030A	Unit Mounted Circuit Breaker	Consult Matrix Sheets
FIYUCB4035A	Unit Mounted Circuit Breaker	Consult Matrix Sheets
FIYUCB4040A	Unit Mounted Circuit Breaker	Consult Matrix Sheets
FIYUCB4045A	Unit Mounted Circuit Breaker	Consult Matrix Sheets
FIYUCB4050A	Unit Mounted Circuit Breaker	Consult Matrix Sheets
FIYUCB4060A	Unit Mounted Circuit Breaker	Consult Matrix Sheets
FIYUCB4070A	Unit Mounted Circuit Breaker	Consult Matrix Sheets
FIYUCB4080A	Unit Mounted Circuit Breaker	Consult Matrix Sheets
FIYUCB4090A	Unit Mounted Circuit Breaker	Consult Matrix Sheets
FIYUCB4100A	Unit Mounted Circuit Breaker	Consult Matrix Sheets
FIYUCB4110A	Unit Mounted Circuit Breaker	Consult Matrix Sheets
FIYUCB4125A	Unit Mounted Circuit Breaker	Consult Matrix Sheets
FIYUCB4150A	Unit Mounted Circuit Breaker	Consult Matrix Sheets
FIYUCB3175A	Unit Mounted Circuit Breaker	Consult Matrix Sheets
FIYUCB3200A	Unit Mounted Circuit Breaker	Consult Matrix Sheets
FIYUCB3225A	Unit Mounted Circuit Breaker	Consult Matrix Sheets
FIYUCB3250A	Unit Mounted Circuit Breaker	Consult Matrix Sheets
FIYUCB6110A	Unit Mounted Circuit Breaker	Consult Matrix Sheets
FIYUCB6125A	Unit Mounted Circuit Breaker	Consult Matrix Sheets

Through the Base Electrical

Must be used with Unit Mounted Disconnect Switch or Unit Mounted Circuit Breaker (downflow only). When adding heat, must order Trane Electric Heat. If no factory installed Unit Mounted disconnect Switch or Unit Mounted Circuit Breaker is required, order the Through the Base Utility Access Option (FIYTBUA****)from page FIOF6

FIYTBUE102A	Through-the-Base Electrical Option	Consult Matrix Sheets
FIYTBUE103A	Through-the-Base Electrical Option	Consult Matrix Sheets
FIYTBUE104A	Through-the-Base Electrical Option	Consult Matrix Sheets
FIYTBUE106A	Through-the-Base Electrical Option	Consult Matrix Sheets
FIYTBUE107A	Through-the-Base Electrical Option	Consult Matrix Sheets
FIYTBUE108A	Through-the-Base Electrical Option	Consult Matrix Sheets
FIYTBUE110A	Through-the-Base Electrical Option	Consult Matrix Sheets
FIYTBUE111A	Through-the-Base Electrical Option	Consult Matrix Sheets
FIYTBUE202A	Through-the-Base Electrical Option	Consult Matrix Sheets
FIYTBUE203A	Through-the-Base Electrical Option	Consult Matrix Sheets
FIYTBUE204A	Through-the-Base Electrical Option	Consult Matrix Sheets
FIYTBUE205A	Through-the-Base Electrical Option	Consult Matrix Sheets
FIYTBUE207A	Through-the-Base Electrical Option	Consult Matrix Sheets
FIYTBUE208A	Through-the-Base Electrical Option	Consult Matrix Sheets
FIYTBUE209A	Through-the-Base Electrical Option	Consult Matrix Sheets
FIYTBUE210A	Through-the-Base Electrical Option	Consult Matrix Sheets
FIYTBUE211A	Through-the-Base Electrical Option	Consult Matrix Sheets
FIYTBUE212A	Through-the-Base Electrical Option	Consult Matrix Sheets
FIYTBUE213A	Through-the-Base Electrical Option	Consult Matrix Sheets
FIYTBUE214A	Through-the-Base Electrical Option	Consult Matrix Sheets
FIYTBUE215A	Through-the-Base Electrical Option	Consult Matrix Sheets
FIYTBUE216A	Through-the-Base Electrical Option	Consult Matrix Sheets

Electric Heat

Must be factory installed when using with Through-the-Base Electrical option.

FIDHTRA309B	Factory Installed 9 KW Electric Heat	See Unit Price Sheets
FIDHTRA318B	Factory Installed 18 KW Electric Heat	See Unit Price Sheets
FIDHTRA327B	Factory Installed 27 KW Electric Heat	See Unit Price Sheets
FIDHTRA336B	Factory Installed 36 KW Electric Heat	See Unit Price Sheets
FIDHTRD318A	Factory Installed 18 KW Electric Heat	See Unit Price Sheets
FIDHTRD336A	Factory Installed 36 KW Electric Heat	See Unit Price Sheets
FIDHTRD354A	Factory Installed 54 KW Electric Heat	See Unit Price Sheets
FIDHTRF318A	Factory Installed 18 KW Electric Heat	See Unit Price Sheets



Horizontal/Downflow Packaged Cooling Factory Installed Options (FIOPS)

Accessories:

Model Number	Description	Used With
FIDHTRK336A	Factory Installed 36 KW Electric Heat	See Unit Price Sheets
FIDHTRK354A	Factory Installed 54 KW Electric Heat	See Unit Price Sheets
FIDHTRL336A	Factory Installed 36 KW Electric Heat	See Unit Price Sheets
FIDHTRL354A	Factory Installed 54 KW Electric Heat	See Unit Price Sheets
FIDHTRK372A	Factory Installed 72 KW Electric Heat	See Unit Price Sheets
FIDHTRJ318A	Factory Installed 18 KW Electric Heat	See Unit Price Sheets
FIDHTRJ336A	Factory Installed 36 KW Electric Heat	See Unit Price Sheets
FIDHTRA409B	Factory Installed 9 KW Electric Heat	See Unit Price Sheets
FIDHTRA418B	Factory Installed 18 KW Electric Heat	See Unit Price Sheets
FIDHTRA427B	Factory Installed 27 KW Electric Heat	See Unit Price Sheets
FIDHTRA436B	Factory Installed 36 KW Electric Heat	See Unit Price Sheets
FIDHTRC418A	Factory Installed 18 KW Electric Heat	See Unit Price Sheets
FIDHTRD436A	Factory Installed 36 KW Electric Heat	See Unit Price Sheets
FIDHTRD454A	Factory Installed 54 KW Electric Heat	See Unit Price Sheets
FIDHTRL418A	Factory Installed 18 KW Electric Heat	See Unit Price Sheets
FIDHTRK436A	Factory Installed 36 KW Electric Heat	See Unit Price Sheets
FIDHTRK454A	Factory Installed 54 KW Electric Heat	See Unit Price Sheets
FIDHTRL436A	Factory Installed 36 KW Electric Heat	See Unit Price Sheets
FIDHTRL454A	Factory Installed 54 KW Electric Heat	See Unit Price Sheets
FIDHTRK472A	Factory Installed 72 KW Electric Heat	See Unit Price Sheets
FIDHTRJ418A	Factory Installed 18 KW Electric Heat	See Unit Price Sheets
FIDHTRJ436A	Factory Installed 36 KW Electric Heat	See Unit Price Sheets
FIDHTRAW18B	Factory Installed 18 KW Electric Heat	See Unit Price Sheets
FIDHTRAW27B	Factory Installed 27 KW Electric Heat	See Unit Price Sheets
FIDHTRCW18A	Factory Installed 18 KW Electric Heat	See Unit Price Sheets
FIDHTRCW36A	Factory Installed 36 KW Electric Heat	See Unit Price Sheets
FIDHTRCW54A	Factory Installed 54 KW Electric Heat	See Unit Price Sheets
FIDHTRKW18A	Factory Installed 18 KW Electric Heat	See Unit Price Sheets
FIDHTRKW54A	Factory Installed 54 KW Electric Heat	See Unit Price Sheets
FIDHTRMW36A	Factory Installed 36 KW Electric Heat	See Unit Price Sheets
FIDHTRLW54A	Factory Installed 54 KW Electric Heat	See Unit Price Sheets
FIDHTRKW72A	Factory Installed 72 KW Electric Heat	See Unit Price Sheets
FIDHTRJW18A	Factory Installed 18 KW Electric Heat	See Unit Price Sheets
FIDHTRJW36A	Factory Installed 36 KW Electric Heat	See Unit Price Sheets
FIHHTRA309B	Factory Installed 9 KW Electric Heat	See Unit Price Sheets
FIHHTRA318B	Factory Installed 18 KW Electric Heat	See Unit Price Sheets
FIHHTRA327B	Factory Installed 27 KW Electric Heat	See Unit Price Sheets
FIHHTRA336B	Factory Installed 36 KW Electric Heat	See Unit Price Sheets
FIHHTRD318A	Factory Installed 18 KW Electric Heat	See Unit Price Sheets
FIHHTRD336A	Factory Installed 36 KW Electric Heat	See Unit Price Sheets
FIHHTRD354A	Factory Installed 54 KW Electric Heat	See Unit Price Sheets
FIHHTRM318A	Factory Installed 18 KW Electric Heat	See Unit Price Sheets
FIHHTRM336A	Factory Installed 36 KW Electric Heat	See Unit Price Sheets
FIHHTRM354A	Factory Installed 54 KW Electric Heat	See Unit Price Sheets
FIHHTRN336A	Factory Installed 36 KW Electric Heat	See Unit Price Sheets
FIHHTRN354A	Factory Installed 54 KW Electric Heat	See Unit Price Sheets
FIHHTRN372A	Factory Installed 72 KW Electric Heat	See Unit Price Sheets
FIHHTRJ318A	Factory Installed 18 KW Electric Heat	See Unit Price Sheets
FIHHTRJ336A	Factory Installed 36 KW Electric Heat	See Unit Price Sheets
FIHHTRA409B	Factory Installed 9 KW Electric Heat	See Unit Price Sheets
FIHHTRA418B	Factory Installed 18 KW Electric Heat	See Unit Price Sheets
FIHHTRA427B	Factory Installed 27 KW Electric Heat	See Unit Price Sheets



Horizontal/Downflow Packaged Cooling Factory Installed Options (FIOPS)

Accessories:

Model Number	Description	Used With
FIHHTRA436B	Factory Installed 36 KW Electric Heat	See Unit Price Sheets
FIHHTRM418A	Factory Installed 18 KW Electric Heat	See Unit Price Sheets
FIHHTRM436A	Factory Installed 36 KW Electric Heat	See Unit Price Sheets
FIHHTRM454A	Factory Installed 54 KW Electric Heat	See Unit Price Sheets
FIHHTRN436A	Factory Installed 36 KW Electric Heat	See Unit Price Sheets
FIHHTRN454A	Factory Installed 54 KW Electric Heat	See Unit Price Sheets
FIHHTRN472A	Factory Installed 72 KW Electric Heat	See Unit Price Sheets
FIHHTRJ418A	Factory Installed 18 KW Electric Heat	See Unit Price Sheets
FIHHTRJ436A	Factory Installed 36 KW Electric Heat	See Unit Price Sheets
FIHHTRAW18B	Factory Installed 18 KW Electric Heat	See Unit Price Sheets
FIHHTRAW27B	Factory Installed 27 KW Electric Heat	See Unit Price Sheets
FIHHTRMW18A	Factory Installed 18 KW Electric Heat	See Unit Price Sheets
FIHHTRMW36A	Factory Installed 36 KW Electric Heat	See Unit Price Sheets
FIHHTRMW54A	Factory Installed 54 KW Electric Heat	See Unit Price Sheets
FIHHTRNW54A	Factory Installed 54 KW Electric Heat	See Unit Price Sheets
FIHHTRNW72A	Factory Installed 72 KW Electric Heat	See Unit Price Sheets
FIHHTRJW18A	Factory Installed 18 KW Electric Heat	See Unit Price Sheets
FIHHTRJW36A	Factory Installed 36 KW Electric Heat	See Unit Price Sheets
FIHHTRN318A	Factory Installed 18 KW Electric Heat	See Unit Price Sheets
FIHHTRN418A	Factory Installed 18 KW Electric Heat	See Unit Price Sheets
FIHHTRNW18A	Factory Installed 18 KW Electric Heat	See Unit Price Sheets
FIHHTRP336A	Factory Installed 36 KW Electric Heat	See Unit Price Sheets
FIHHTRQ336A	Factory Installed 36 KW Electric Heat	See Unit Price Sheets
FIHHTRP436A	Factory Installed 36 KW Electric Heat	See Unit Price Sheets
FIHHTRQ436A	Factory Installed 36 KW Electric Heat	See Unit Price Sheets
FIHHTRPW36A	Factory Installed 36 KW Electric Heat	See Unit Price Sheets
FIHHTRP354A	Factory Installed 54 KW Electric Heat	See Unit Price Sheets
FIHHTRQ354A	Factory Installed 54 KW Electric Heat	See Unit Price Sheets
FIHHTRP454A	Factory Installed 54 KW Electric Heat	See Unit Price Sheets
FIHHTRQ454A	Factory Installed 54 KW Electric Heat	See Unit Price Sheets
FIHHTRPW54A	Factory Installed 54 KW Electric Heat	See Unit Price Sheets
FIHHTRQW54A	Factory Installed 54 KW Electric Heat	See Unit Price Sheets
FIYHTRP105A	Factory Installed 6 KW Electric Heat	See Unit Price Sheets
FIYHTRP110A	Factory Installed 10 KW Electric Heat	See Unit Price Sheets
FIYHTRP114A	Factory Installed 14 KW Electric Heat	See Unit Price Sheets
FIYHTRP118A	Factory Installed 18 KW Electric Heat	See Unit Price Sheets
FIYHTRP306A	Factory Installed 6 KW Electric Heat	See Unit Price Sheets
FIYHTRP312A	Factory Installed 12 KW Electric Heat	See Unit Price Sheets
FIYHTRP318A	Factory Installed 18 KW Electric Heat	See Unit Price Sheets
FIYHTRP323A	Factory Installed 23 KW Electric Heat	See Unit Price Sheets
FIYHTRP406A	Factory Installed 6 KW Electric Heat	See Unit Price Sheets
FIYHTRP412A	Factory Installed 12 KW Electric Heat	See Unit Price Sheets
FIYHTRP418A	Factory Installed 18 KW Electric Heat	See Unit Price Sheets
FIYHTRP423A	Factory Installed 23 KW Electric Heat	See Unit Price Sheets
FIYHTRPW06A	Factory Installed 6 KW Electric Heat	See Unit Price Sheets
FIYHTRPW12A	Factory Installed 12 KW Electric Heat	See Unit Price Sheets
FIYHTRPW18A	Factory Installed 18 KW Electric Heat	See Unit Price Sheets
FIYHTRPW23A	Factory Installed 23 KW Electric Heat	See Unit Price Sheets
Black Epoxy Coated Condenser Coil		
FIYCOIL205A	Black Epoxy Coated Condenser Coil	TCD/TCH150D
FIYCOIL206A	Black Epoxy Coated Condenser Coil	TCD/TCH151C,180B,210C
FIYCOIL209A	Black Epoxy Coated Condenser Coil	TCD/TCH181,211C,241C,301C,240
FIYCOIL210A	Black Epoxy Coated Condenser Coil	TCD/TCH300B



Horizontal/Downflow Packaged Cooling Factory Installed Options (FIOPS)

Accessories:

Model Number	Description	Used With
ReliaTel™ Options Module		
FIYABRD002B is required when ordering the following accessories: Clogged Filter Switch (FIYDFPS005A/BAYDFPS005A), Fan Fail Switch (FIYDFPS006A/BAYDFPS006A), Discharge Air Sensing Kit (FIYTUBE008A,FIYTUBE009A, BAYTUBE008A, BAYTUBE009A), Froststat (FIYLOAM023A, BAYLOAM023A), Ventilation Override (must order BAYVNOR002B), Smoke Detector (FIYSMDT).		
FIYABRD002B	ReliaTel™ Options Module	All Voyager Units
Return Air Smoke Detector for downflow units with economizer^{①②}		
Option cannot be ordered in conjunction with field installed economizer.		
FIYSMDT221A	Return Air Smoke Detector	TCD150,151,180,210 w/FIYABRD002B
FIYSMDT223A	Return Air Smoke Detector	TCD181,211,240,241,300,301 w/FIYABRD002B
Return Air Smoke Detector for downflow units without economizer^{①②}		
FIYSMDT222A	Return Air Smoke Detector	TCD150,151,180,210 w/FIYABRD002B
FIYSMDT224A	Return Air Smoke Detector	TCD181,211,240,241,300,301 w/FIYABRD002B
Supply Air Smoke Detector for downflow units^②		
FIYSMDT225A	Supply Air Smoke Detector	TCD150,151,180,210 w/FIYABRD002B
FIYSMDT228A	Supply Air Smoke Detector	TCD181,211,240,241,300,301 w/FIYABRD002B
Supply and Return Air Smoke Detectors for downflow units with economizer^{①②}		
Option cannot be ordered in conjunction with field installed economizer.		
FIYSMDT226A	Supply and Return Air Smoke Detector	TCD150,151,180,210 w/FIYABRD002B
FIYSMDT229A	Supply and Return Air Smoke Detector	TCD181,211,240,241,300,301 w/FIYABRD002B
Supply and Return Air Smoke Detectors for downflow units without economizer^{①②}		
FIYSMDT227A	Supply and Return Air Smoke Detector	TCD150,151,180,210 w/FIYABRD002B
FIYSMDT230A	Supply and Return Air Smoke Detector	TCD181,211,240,241,300,301 w/FIYABRD002B
① The return air smoke detector may not fit up or work properly on the Voyager units when used in conjunction with 3rd party accessories (such as bolt on heat wheels, economizers, and power exhaust). Do not order the return air smoke detectors when using this type of accessory.		
② Smoke Detectors available for downflow units only.		
Through the Base Utilities Access		
Order this accessory when no factory installed Unit Mounted Disconnect Switch or Unit Mounted Circuit Breaker is required. If factory installed Unit Mounted Disconnect or Unit Mounted Circuit Breaker is required, order the Through the Base Electrical Option (FIYTBUE****) from page FIOF3		
FIYTBUA205A	Through the Base Utilities Access	TCD150,151,180,210*3,4
FIYTBUA207A	Through the Base Utilities Access	TCD181,211,240,241,300,301*3,4
2" Pleated Filters		
FIYPLTD001A	2" Pleated Filters	TCD/TCH150,151,180,210
FIYPLTD002A	2" Pleated Filters	TCD/TCH181,211,240,241,300,301
FIYPLTD003A	2" Pleated Filters	TCD/TCH181,211,240,241,300,301
Froststat		
FIYLOAM023A	Froststat	TCD151,181,241-3,4, W with H,J,K,L in 10th digit w/FIYABRD002B



It's Hard To Stop A Trane.®

Horizontal/Downflow Packaged Cooling Factory Installed Options (FIOPS)

Model Number (1)(4)	High Efficiency Motors FIYHEMIT_A (5)	Through-the-Base Electrical FIYTBUE_A (3) (Downflow Only)					Unit Mounted Disconnect FIYUDC_A (2) (Downflow Only)					Unit Mounted Circuit Breaker FIYUCB_A (2) (Downflow Only)							
		CO*	18KW	27KW	36KW	54KW	72KW	CO*	18KW	27KW	36KW	54KW	72KW	CO*	18KW	27KW	36KW	54KW	72KW
TFD150D300B	003	207	208	N/A	209	210	N/A	6100	6100	N/A	4150	3250	N/A	4080	4080	N/A	6125	3200	N/A
TFD150D300B	006	207	208	N/A	209	210	N/A	6100	6100	N/A	4150	3250	N/A	4080	4080	N/A	4150	3200	N/A
TFD150D400B	004	207	208	N/A	208	208	N/A	6100	6100	N/A	6100	6100	N/A	4040	4040	N/A	4070	4090	N/A
TFD150D400B	007	207	208	N/A	208	208	N/A	6100	6100	N/A	6100	6100	N/A	4040	4040	N/A	4070	4100	N/A
TFD150DW00B	005	207	208	N/A	208	208	N/A	6100	6100	N/A	6100	6100	N/A	4035	4035	N/A	4050	4070	N/A
TFD150DW00B	008	207	208	N/A	208	208	N/A	6100	6100	N/A	6100	6100	N/A	4035	4035	N/A	4060	4080	N/A
TFD151C300B	003	207	208	N/A	209	210	N/A	6100	6100	N/A	4150	3250	N/A	4080	4080	N/A	6125	3200	N/A
TFD151C300B	006	207	208	N/A	209	210	N/A	6100	6100	N/A	4150	3250	N/A	4080	4080	N/A	4150	3200	N/A
TFD151C400B	004	207	208	N/A	208	208	N/A	6100	6100	N/A	6100	6100	N/A	4040	4040	N/A	4070	4090	N/A
TFD151C400B	007	207	208	N/A	208	208	N/A	6100	6100	N/A	6100	6100	N/A	4040	4040	N/A	4070	4100	N/A
TFD151CW00B	005	207	208	N/A	208	208	N/A	6100	6100	N/A	6100	6100	N/A	4035	4035	N/A	4050	4070	N/A
TFD151CW00B	008	207	208	N/A	208	208	N/A	6100	6100	N/A	6100	6100	N/A	4035	4035	N/A	4060	4080	N/A
TFD151C30HB	003	207	208	N/A	209	210	N/A	6100	6100	N/A	4150	3250	N/A	4070	4070	N/A	6125	3200	N/A
TFD151C30JB	006	207	208	N/A	209	210	N/A	6100	6100	N/A	4150	3250	N/A	4080	4080	N/A	4150	3200	N/A
TFD151C40HB	004	207	208	N/A	208	208	N/A	6100	6100	N/A	6100	6100	N/A	4035	4035	N/A	4070	4090	N/A
TFD151C40JB	007	207	208	N/A	208	208	N/A	6100	6100	N/A	6100	6100	N/A	4040	4040	N/A	4070	4100	N/A
TFD151CW0HB	005	207	208	N/A	208	208	N/A	6100	6100	N/A	6100	6100	N/A	4030	4030	N/A	4060	4070	N/A
TFD151CW0JB	008	207	208	N/A	208	208	N/A	6100	6100	N/A	6100	6100	N/A	4030	4030	N/A	4060	4070	N/A
TFD180B300H	006	207	208	N/A	209	210	N/A	6100	6100	N/A	4150	3250	N/A	4090	4100	N/A	6125	3200	N/A
TFD180B300H	003	207	208	N/A	209	210	N/A	6100	6100	N/A	4150	3250	N/A	4100	4100	N/A	4150	3200	N/A
TFD180B400H	004	207	208	N/A	208	208	N/A	6100	6100	N/A	6100	6100	N/A	4050	4050	N/A	4070	4090	N/A
TFD180B400H	007	207	208	N/A	208	208	N/A	6100	6100	N/A	6100	6100	N/A	4050	4050	N/A	4070	4100	N/A
TFD180BW00H	005	207	208	N/A	208	208	N/A	6100	6100	N/A	6100	6100	N/A	4040	4040	N/A	4050	4070	N/A
TFD180BW00H	008	207	208	N/A	208	208	N/A	6100	6100	N/A	6100	6100	N/A	4040	4040	N/A	4060	4080	N/A
TFD181C300C	003	213	214	N/A	215	216	N/A	6100	6100	N/A	4150	3250	N/A	4090	4100	N/A	6125	3200	N/A
TFD181C300C	006	213	214	N/A	215	216	N/A	6100	6100	N/A	4150	3250	N/A	4100	4100	N/A	4150	3200	N/A
TFD181C30MC	003	213	214	N/A	215	216	N/A	6100	6100	N/A	4150	3250	N/A	4090	4090	N/A	6125	3200	N/A
TFD181C30MC	006	213	214	N/A	215	216	N/A	6100	6100	N/A	4150	3250	N/A	4090	4090	N/A	6125	3200	N/A
TFD181C30NC	003	213	214	N/A	215	216	N/A	6100	6100	N/A	4150	3250	N/A	4100	4100	N/A	4150	3200	N/A
TFD181C30PC	006	213	214	N/A	215	216	N/A	6100	6100	N/A	4150	3250	N/A	4100	4100	N/A	4150	3200	N/A
TFD181C30RC	006	213	214	N/A	215	216	N/A	6100	6100	N/A	4150	3250	N/A	4100	4100	N/A	4150	3200	N/A
TFD181C400C	004	213	214	N/A	214	214	N/A	6100	6100	N/A	6100	6100	N/A	4050	4050	N/A	4070	4090	N/A
TFD181C400C	007	213	214	N/A	214	214	N/A	6100	6100	N/A	6100	6100	N/A	4050	4050	N/A	4070	4100	N/A
TFD181C40MC	004	213	214	N/A	214	214	N/A	6100	6100	N/A	6100	6100	N/A	4045	4045	N/A	4070	4090	N/A
TFD181C40MC	007	213	214	N/A	214	214	N/A	6100	6100	N/A	6100	6100	N/A	4045	4045	N/A	4070	4090	N/A
TFD181C40NC	004	213	214	N/A	214	214	N/A	6100	6100	N/A	6100	6100	N/A	4050	4050	N/A	4070	4100	N/A
TFD181C40NC	007	213	214	N/A	214	214	N/A	6100	6100	N/A	6100	6100	N/A	4050	4050	N/A	4070	4100	N/A
TFD181C40RC	004	213	214	N/A	214	214	N/A	6100	6100	N/A	6100	6100	N/A	4040	4040	N/A	4050	4070	N/A
TFD181C40RC	007	213	214	N/A	214	214	N/A	6100	6100	N/A	6100	6100	N/A	4040	4040	N/A	4050	4070	N/A
TFD181CW00C	005	213	214	N/A	214	214	N/A	6100	6100	N/A	6100	6100	N/A	4040	4040	N/A	4050	4070	N/A
TFD181CW00C	008	213	214	N/A	214	214	N/A	6100	6100	N/A	6100	6100	N/A	4040	4040	N/A	4060	4080	N/A
TFD181CW0MC	005	213	214	N/A	214	214	N/A	6100	6100	N/A	6100	6100	N/A	4035	4035	N/A	4050	4070	N/A
TFD181CW0MC	008	213	214	N/A	214	214	N/A	6100	6100	N/A	6100	6100	N/A	4035	4035	N/A	4050	4070	N/A
TFD181CW0PC	005	213	214	N/A	214	214	N/A	6100	6100	N/A	6100	6100	N/A	4040	4040	N/A	4060	4080	N/A
TFD181CW0PC	008	213	214	N/A	214	214	N/A	6100	6100	N/A	6100	6100	N/A	4040	4040	N/A	4060	4080	N/A
TFD181CW0RC	005	213	214	N/A	214	214	N/A	6100	6100	N/A	6100	6100	N/A	4090	4100	N/A	6125	3200	N/A
TFD181CW0RC	008	213	214	N/A	214	214	N/A	6100	6100	N/A	6100	6100	N/A	4090	4090	N/A	4150	3200	N/A
TFD181C30JC	006	213	214	N/A	215	216	N/A	6100	6100	N/A	4150	3250	N/A	4050	4050	N/A	4070	4090	N/A
TFD181C40JC	004	213	214	N/A	214	214	N/A	6100	6100	N/A	6100	6100	N/A	4050	4050	N/A	4070	4090	N/A
TFD181C40JC	007	213	214	N/A	214	214	N/A	6100	6100	N/A	6100	6100	N/A	4050	4050	N/A	4070	4090	N/A
TFD181CW0HC	005	213	214	N/A	214	214	N/A	6100	6100	N/A	6100	6100	N/A	4040	4040	N/A	4050	4070	N/A
TFD181CW0HC	008	213	214	N/A	214	214	N/A	6100	6100	N/A	6100	6100	N/A	4040	4040	N/A	4060	4080	N/A

FACTORY INSTALLED OPTIONS (FIOPS)

- Unit model # changes to "F" in 2nd digit, indicating desire for factory installed options (unit nameplate will still reflect standard model #, i.e. TCD).
- Unit mounted disconnect and circuit breakers are mutually exclusive of each other.
- Through-the-base electrical option must be ordered with either unit mounted disconnect or circuit breaker. When adding heat, must order Trane Electric Heat.
- When ordering economizer ("A" in 10th digit), TCI ("F" in 10th digit), or economizer and TCI ("G" in 10th digit) use line with model number with "0" in 10th digit for FIOP selections; when ordering thermal expansion valve ("H" in 10th digit) use line with model number with "B" in 10th digit for FLOP selections; when ordering oversized motor ("J" in 10th digit) use line with model number with "J" in 10th digit for FLOP selections; when ordering oversized motor and economizer ("K" in 10th digit) use line with model number with "J" in 10th digit for FLOP selections. When ordering thermal expansion valve ("H" in 10th digit) use line with model number with "H" in the 10th digit for FLOP selections; when ordering oversized motor ("J" in 10th digit) use line with model number with "J" in 10th digit for FLOP selections. When ordering oversized motor and economizer ("K" in 10th digit) use line with model number with "J" in 10th digit for FLOP selections.

**ALL FACTORY INSTALLED
OPTIONS ARE BUILT-TO-ORDER.
CHECK ORDER SERVICES FOR
ESTIMATED PRODUCTION CYCLE.**



Horizontal/Downflow Packaged Cooling Factory Installed Options (FIOPS)

It's Hard To Stop A Trane.®

Model Number (1)(4)	High Efficiency Motors FIYHEMT A (5)	Through-the-Base Electrical FIYTBUE A (3)					Unit Mounted Disconnect FIYUCB A (2)					Unit Mounted Circuit Breaker FIYUCB A (2)				
		18KW	27KW	36KW	54KW	72KW	18KW	27KW	36KW	54KW	72KW	18KW	27KW	36KW	54KW	72KW
TFD210C300E	006	207	N/A	N/A	210	N/A	6100	N/A	3250	N/A	4100	N/A	4150	3200	N/A	
TFD210C300E	009	207	N/A	N/A	209	N/A	6100	N/A	3250	N/A	4100	N/A	4150	3200	N/A	
TFD210C400E	007	207	N/A	N/A	208	N/A	6100	N/A	3250	N/A	4100	N/A	4150	4100	N/A	
TFD210C400E	010	207	N/A	N/A	208	N/A	6100	N/A	3250	N/A	4100	N/A	4150	4100	N/A	
TFD210C400E	008	207	N/A	N/A	208	N/A	6100	N/A	3250	N/A	4100	N/A	4150	4080	N/A	
TFD210C400E	011	207	N/A	N/A	208	N/A	6100	N/A	3250	N/A	4100	N/A	4150	4080	N/A	
TFD211C300C	006	213	N/A	N/A	216	216	4150	N/A	3250	3250	6110	N/A	4150	3200	3250	
TFD211C300C	009	213	N/A	N/A	216	216	4150	N/A	3250	3250	6125	N/A	4150	3200	3250	
TFD211C400C	007	213	N/A	N/A	214	215	6100	N/A	6100	6100	4060	N/A	4070	4100	6125	
TFD211C400C	010	213	N/A	N/A	214	215	6100	N/A	6100	6100	4060	N/A	4070	4100	6125	
TFD211C400C	008	213	N/A	N/A	214	214	6100	N/A	6100	6100	4045	N/A	4060	4080	4100	
TFD211C400C	011	213	N/A	N/A	214	215	6100	N/A	6100	6100	4050	N/A	4060	4080	4100	
TFD240B300J	006	213	N/A	N/A	216	216	4150	N/A	3250	3250	6125	N/A	4150	3200	3250	
TFD240B300J	009	213	N/A	N/A	216	216	4150	N/A	3250	3250	6125	N/A	4150	3200	3250	
TFD240B400J	007	213	N/A	N/A	214	215	6100	N/A	6100	6100	4060	N/A	4070	4100	6125	
TFD240B400J	010	213	N/A	N/A	214	215	6100	N/A	6100	6100	4060	N/A	4070	4100	6125	
TFD240B400J	008	213	N/A	N/A	214	214	6100	N/A	6100	6100	4045	N/A	4060	4080	4100	
TFD240B400J	011	213	N/A	N/A	214	215	6100	N/A	6100	6100	4050	N/A	4060	4080	4100	
TFD241C300C	006	213	N/A	N/A	216	216	4150	N/A	3250	3250	6125	N/A	4150	3200	3250	
TFD241C300C	009	213	N/A	N/A	216	216	4150	N/A	3250	3250	6125	N/A	4150	3200	3250	
TFD241C300C	006	213	N/A	N/A	216	216	4150	N/A	3250	3250	6125	N/A	4150	3200	3250	
TFD241C300C	009	213	N/A	N/A	216	216	4150	N/A	3250	3250	6125	N/A	4150	3200	3250	
TFD241C300C	006	213	N/A	N/A	216	216	4150	N/A	3250	3250	6125	N/A	4150	3200	3250	
TFD241C300C	009	213	N/A	N/A	216	216	4150	N/A	3250	3250	6125	N/A	4150	3200	3250	
TFD241C400C	007	213	N/A	N/A	214	215	6100	N/A	6100	6100	4060	N/A	4070	4100	6125	
TFD241C400C	010	213	N/A	N/A	214	215	6100	N/A	6100	6100	4060	N/A	4070	4100	6125	
TFD241C400C	007	213	N/A	N/A	214	215	6100	N/A	6100	6100	4060	N/A	4070	4100	6125	
TFD241C400C	007	213	N/A	N/A	214	215	6100	N/A	6100	6100	4060	N/A	4070	4100	6125	
TFD241C400C	010	213	N/A	N/A	214	215	6100	N/A	6100	6100	4060	N/A	4070	4100	6125	
TFD241C400C	008	213	N/A	N/A	214	214	6100	N/A	6100	6100	4050	N/A	4060	4080	4100	
TFD241C400C	011	213	N/A	N/A	214	215	6100	N/A	6100	6100	4050	N/A	4060	4080	4100	
TFD241CW0MC	008	213	N/A	N/A	214	214	6100	N/A	6100	6100	4050	N/A	4060	4080	4100	
TFD241CW0MC	011	213	N/A	N/A	214	215	6100	N/A	6100	6100	4050	N/A	4060	4080	4100	
TFD241CW0PC	011	213	N/A	N/A	214	215	6100	N/A	6100	6100	4050	N/A	4060	4080	4100	
TFD241CW0PC	011	213	N/A	N/A	214	215	6100	N/A	6100	6100	4050	N/A	4060	4080	4100	
TFD241CW0RC	011	213	N/A	N/A	214	214	6100	N/A	6100	6100	4050	N/A	4060	4080	4100	
TFD241C30HC	006	213	N/A	N/A	216	216	4150	N/A	3250	3250	6125	N/A	4150	3200	3250	
TFD241C30JC	009	213	N/A	N/A	216	216	4150	N/A	3250	3250	6125	N/A	4150	3200	3250	
TFD241C40HC	007	213	N/A	N/A	214	215	6100	N/A	6100	6100	4060	N/A	4070	4100	6125	
TFD241C40JC	010	213	N/A	N/A	214	215	6100	N/A	6100	6100	4070	N/A	4070	4100	6125	
TFD241C40JC	008	213	N/A	N/A	214	214	6100	N/A	6100	6100	4050	N/A	4060	4080	4100	
TFD241CW0JC	011	213	N/A	N/A	214	215	6100	N/A	6100	6100	4050	N/A	4060	4080	4100	

FACTORY INSTALLED OPTIONS (FIOPS)

- Unit model # changes to "F" in 2nd digit, indicating desire for factory installed options (unit nameplate will still reflect standard model #, i.e. TCD).
- Unit mounted disconnect and circuit breakers are mutually exclusive of each other.
- Through-the-base electrical option must be ordered with either unit mounted disconnect or circuit breaker. When adding heat, must order Trane Electric Heat.
- When ordering economizer ("A" in 10th digit), TCI ("E" in 10th digit), or economizer and TCI ("G" in 10th digit) use line with model number with "0" in 10th digit for FIOP selections; when ordering oversized motor ("B" in 10th digit) or oversized motor & economizer ("C" in 10th digit) use line with model number with "B" in 10th digit for FIOP selections. When ordering thermal expansion valve ("H" in 10th digit) with economizer ("L" in 10th digit) use line with model number with "H" in the 10th digit for FIOP selections; when ordering thermal expansion valve with oversized motor ("J" in 10th digit) or oversized motor & economizer ("K" in 10th digit) use line with model number with "J" in 10th digit for FIOP selections.
- High efficiency motors can be factory installed on downflow and horizontal units unless noted. When ordering horizontal units with high efficiency motors, unit model # changes to "H" in 3rd digit.

* Cooling Only

**ALL FACTORY INSTALLED
OPTIONS ARE BUILT-TO-ORDER.
CHECK ORDER SERVICES FOR
ESTIMATED PRODUCTION CYCLE.**



TRANE

It's Hard To Stop A Trane.

Horizontal/Downflow Packaged Cooling Factory Installed Options (FIOPS)

Model Number (1)(4)	High Efficiency Motors FIYHEMT_A (5)	Through-the-Base Electrical FIYTBUE_A (3) (Downflow Only)				Unit Mounted Disconnect FIYUDC_A (2) (Downflow Only)				Unit Mounted Circuit Breaker FIYUCB_A (2) (Downflow Only)						
		CO*	18KW	27KW	36KW	54KW	72KW	CO*	18KW	27KW	36KW	54KW	72KW			
TFD300B300H	009	213	N/A	N/A	215	216	216	4150	N/A	N/A	4150	3250	3250	4150	3200	3250
TFD300B400H	010	213	N/A	N/A	214	214	215	6100	N/A	N/A	6100	6100	4150	4070	4100	6125
TFD300BW00H	011	213	N/A	N/A	214	214	215	6100	N/A	N/A	6100	6100	6100	4060	4080	4100
TFD301C300C	009	213	N/A	N/A	215	216	216	4150	N/A	N/A	4150	3250	3250	4150	3200	3250
TFD301C400C	010	213	N/A	N/A	214	214	215	6100	N/A	N/A	6100	6100	4150	4070	4100	6125
TFD301CW00C	011	213	N/A	N/A	214	214	215	6100	N/A	N/A	6100	6100	6100	4060	4080	4100

FACTORY INSTALLED OPTIONS (FIOPS)

- (1) Unit model # changes to "F" in 2nd digit, indicating desire for factory installed options (unit nameplate will still reflect standard model #, i.e. TCD).
- (2) Unit mounted disconnect and circuit breakers are mutually exclusive of each other.
- (3) Through-the-base electrical option must be ordered with either unit mounted disconnect or circuit breaker. When adding heat, must order Trane Electric Heat.
- (4) When ordering economizer ("A" in 10th digit), TCI ("F" in 10th digit), or economizer and TCI ("G" in 10th digit) use line with model number with "0" in 10th digit for FIOF selections; when ordering oversized motor ("B" in 10th digit) or oversized motor & economizer ("C" in 10th digit) use line with model number with "B" in 10th digit for FIOF selections. When ordering thermal expansion valve ("H" in 10th digit) with economizer ("L" in 10th digit) use line with model number with "H" in the 10th digit for FIOF selections; when ordering thermal expansion valve with oversized motor ("J" in 10th digit) or oversized motor & economizer ("K" in 10th digit) use line with model number with "J" in 10th digit for FIOF selections.
- (5) High efficiency motors can be factory installed on downflow and horizontal units unless noted. When ordering horizontal units with high efficiency motors, unit model # changes to "H" in 3rd digit.

* Cooling Only

**ALL FACTORY INSTALLED OPTIONS ARE BUILT-TO-ORDER.
CHECK ORDER SERVICES FOR ESTIMATED PRODUCTION CYCLE.**



Horizontal/Downflow Packaged Gas/Electric Factory Installed Options (FIOPS)

Accessories:

Model Number	Description	Used With
Switches		
FIYDFPS005A	Clogged Filter Switch	All Voyager Units w/FIYABRD002B
FIYDFPS006A	Fan Failure Switch	All Voyager Units w/FIYABRD002B
Economizer Actuator Logic Module		
Economizer Actuator Logic Module is required with FIOPS (Factory Installed Options) Enthalpy and Novar Controls.		
FIYLGCM001A	Economizer Actuator Logic Module	All Voyager 12½-25 Tons with Economizer
Enthalpy Kits		
Must select Economizer Actuator Logic Module (FIYLGCM001A) in order to configure and price a Voyager unit. This module does not need to be selected when ordering the field installed accessory.		
FIYENTH007A	Reference Enthalpy	Downflow Units w/A,C or G in 10th Digit
FIYENTH008A	Comparative Enthalpy	Downflow Units w/A,C or G in 10th Digit
TCI		
FIYICSI004B	Trane Communication Interface	YC*150-301**
LCI		
FIYLTCI003B	LonTalk Interface	YC*150-301
Discharge Air Sensing Kit		
Used for true discharge air sensing in heating models. Functional only with ReliaTel™ Options Module (FIYABRD002B).		
FIYTUBE008A	Discharge Air Sensing Kit	YCD150-301 w/FIYABRD002B
FIYTUBE009A	Discharge Air Sensing Kit	YCH150-301 w/FIYABRD002B
Tool-less Condenser Hail Guard		
FIYGARD001B	Tool-less Condenser Hail Guard	YC*150D
FIYGARD002B	Tool-less Condenser Hail Guard	YC*151C,180B,210C
FIYGARD003A	Tool-less Condenser Hail Guard	YC*181C,211C,241C,301C,240B
FIYGARD005A	Tool-less Condenser Hail Guard	YC*300B
Novar Controls		
The Novar control option includes the following factory installed and wired devices: Novar ETM-2024 rooftop controller, fan proving switch, clogged filter or unit shutdown switch, Cool 1,Cool 2, Heat switch and discharge air sensor (Novar# DTS-30,20-170°F) (Downflow only). NOTE: Option cannot be ordered in conjunction with Factory Installed Smoke Detector option. Must select Economizer Actuator Logic Module (FIYLGCM001A) in order to configure and price a Voyager unit. This module does not need to be selected when ordering the field installed accessory. Novar Controls with an economizer in the 10th digit (Digit 10=A,C,G,K,L,N,R) will also be required to select the Economizer Actuator Logic Module.		
FIYCNTL013A	Novar Control, 208-230V	YCD150-301*3
FIYCNTL015A	Novar Control, 460 & 575 V	YCD150-301*4,W
Novar Return Air Sensor		
This option consists of the Novar return air sensor (Novar # WTS-10) that is wired and shipped in the return air section of the unit. The sensor ships with approximately 15' of extra wire for dropping down the return air duct (downflow only).		
FIYNRAS001A	Return Air Sensor	FIYCNTL013A and FIYCNTL015A
2" Pleated Filters		
FIYPLTD001A	2" Pleated Filters	YC*150,151,180,210
FIYPLTD002A	2" Pleated Filters	YCD181,211,240,241,300,301
FIYPLTD003A	2" Pleated Filters	YCH181,211,240,241,300,301
Novar Controls-3051		
The Novar control option includes the following factory installed and wired devices: Novar 3051 rooftop controller, fan proving switch, clogged filter or unit shutdown switch, and discharge air sensor (Novar # DTS-30, 20-170°F) (downflow only). NOTE: This option can be ordered in conjunction with factory installed Smoke Detector option. It cannot be ordered in conjunction with with economizer, either field or factory installed. Must select Economizer Actuator Logic Module (FIYLGCM001A) in order to configure and price a Voyager unit. This module does not need to be selected when ordering the field installed accessory. Novar Controls with an economizer in the 10th digit (Digit 10=A,C,G,K,L,N,R) will also be required to select the Economizer Actuator Logic Module.		
FIYCNTL016A	Novar Control, 460 and 575V	YCD181,211,240,241,300,301*4,W
FIYCNTL017A	Novar Control, 208-230V	YCD150,151,180,210*3
FIYCNTL018A	Novar Control, 460 and 575V	YCD150,151,180,210*4,W
FIYCNTL019A	Novar Control, 208-230V	YCD181,211,240,241,300,301*3
Novar Zone Sensor		
This option consists of Novar Zone Sensor (Novar #WTS-SOS) used with Novar 3051 Controls.		
FIYNZSR001A	Novar Zone Sensor for Novar 3051	FIYCNTL016A



It's Hard To Stop A Trane.®

Horizontal/Downflow Packaged Gas/Electric Factory Installed Options (FIOPS)

Accessories:

Model Number	Description	Used With
Through The Base Gas Piping		
FIYTBUG202AⓄ	Through-the-Base Gas Piping	YCD150,151 Low & High Heat YCD180-301 Low Heat
FIYTBUG203AⓄ	Through-the-Base Gas Piping	YCD180-301 High Heat
FIYTBUG205AⓈ	Through-the-Base Gas Piping	YCD150,151 Low & High Heat YCD180-301 Low Heat
FIYTBUG206AⓈ	Through-the-Base Gas Piping	YCD180-301 High Heat
Convenience Outlet		
Must be ordered with Through-the-Base Electrical option and either Unit Mounted Disconnect or Circuit Breaker (downflow only).		
FIYCOPO201A	Powered, 120v. Convenience Outlet, 230v.	YCD150-301*3
FIYCOPO202A	Powered, 120v. Convenience Outlet, 460v.	YCD150-301*3,4
FIYCOPO205A	Powered, 120v. Convenience Outlet, 575v.	YCD150-301*W
FIYCOUP201A	Unpowered, 115v. Convenience Outlet	YCD150-301
Filter & Control Access		
Used with only downflow units.		
FIYHNGE004A	Hinged Filter/Evap. and Comp./Control Access Door	YCD150,180,210
FIYHNGE005A	Hinged Filter/Evap. and Comp./Control Access Door	YCD300
FIYHNGE008A	Hinged Filter/Evap. and Comp./Control Access Door	YCD151
FIYHNGE009A	Hinged Filter/Evap. and Comp./Control Access Door	YCD181,211,240,241,301
Disconnect Switch		
Must be used with Through-the-Base Electrical option (downflow only). Cannot be fused.		
FIYUDC4150A	Unit Mounted Disconnect Switch	Consult Matrix Sheets
FIYUDC6100A	Unit Mounted Disconnect Switch	Consult Matrix Sheets
High Efficiency Motors		
Can be used on downflow or horizontal units unless specified on matrix sheets.		
FIYHEMT001A	2 HP High Effic. Motor (86.5 Eff.)(208-230/460/60/3)	Consult Matrix Sheets
FIYHEMT002A	2 HP High Effic. Motor (86.5 Eff.)(575/60/3)	Consult Matrix Sheets
FIYHEMT003A	3 HP High Effic. Motor (89.5 Eff.)(208-230/60/3)	Consult Matrix Sheets
FIYHEMT004A	3 HP High Effic. Motor (89.5 Eff.)(460/60/3)	Consult Matrix Sheets
FIYHEMT005A	3 HP High Effic. Motor (89.5 Eff.)(575/60/3)	Consult Matrix Sheets
FIYHEMT006A	5 HP High Effic. Motor (91.0 Eff.)(208-230/60/3)	Consult Matrix Sheets
FIYHEMT007A	5 HP High Effic. Motor (91.0 Eff.)(460/60/3)	Consult Matrix Sheets
FIYHEMT008A	5 HP High Effic. Motor (91.0 Eff.)(575/60/3)	Consult Matrix Sheets
FIYHEMT009A	7½ HP High Effic. Motor (90.2 Eff.)(208-230/60/3)	Consult Matrix Sheets
FIYHEMT010A	7½ HP High Effic. Motor (90.2 Eff.)(460/60/3)	Consult Matrix Sheets
FIYHEMT011A	7½ HP High Effic. Motor (90.2 Eff.)(575/60/3)	Consult Matrix Sheets
Stainless Steel Heat Exchanger		
Can be used on all downflow or horizontal units.		
FIYSSHX001A	150 MBH Stainless Steel Heat Exchanger	YCD/H150D,151C Low Heat
FIYSSHX002A	250 MBH Stainless Steel Heat Exchanger	YCD/H150D,151C High Heat YCD/H155B,175C,180B,181C, 200B,210C,211C,240B,241C, 250B,300B and 301C Low Heat
FIYSSHX003A	350 MBH Stainless Steel Heat Exchanger	YCD/H155B,175C,180B,181C 210C, 211C High Heat
FIYSSHX004A	400 MBH Stainless Steel Heat Exchanger	YCD/H200B,240B,241C,250B, 300B,301C High Heat

Must order when ordering through-the-base electrical or through-the-base access option (downflow only).
Order when **not** ordering through-the-base electrical or through-the-base access option (downflow only).



Horizontal/Downflow Packaged Gas/Electric Factory Installed Options (FIOPS)

Accessories:

Model Number	Description	Used With
Circuit Breaker		
Must be used with Through-the-Base Electrical option (downflow only).		
FIYUCB3125A	Unit Mounted Circuit Breaker	Consult Matrix Sheets
FIYUCB3150A	Unit Mounted Circuit Breaker	Consult Matrix Sheets
FIYUCB3175A	Unit Mounted Circuit Breaker	Consult Matrix Sheets
FIYUCB3200A	Unit Mounted Circuit Breaker	Consult Matrix Sheets
FIYUCB3225A	Unit Mounted Circuit Breaker	Consult Matrix Sheets
FIYUCB3250A	Unit Mounted Circuit Breaker	Consult Matrix Sheets
FIYUCB4015A	Unit Mounted Circuit Breaker	Consult Matrix Sheets
FIYUCB4020A	Unit Mounted Circuit Breaker	Consult Matrix Sheets
FIYUCB4025A	Unit Mounted Circuit Breaker	Consult Matrix Sheets
FIYUCB4030A	Unit Mounted Circuit Breaker	Consult Matrix Sheets
FIYUCB4035A	Unit Mounted Circuit Breaker	Consult Matrix Sheets
FIYUCB4040A	Unit Mounted Circuit Breaker	Consult Matrix Sheets
FIYUCB4045A	Unit Mounted Circuit Breaker	Consult Matrix Sheets
FIYUCB4050A	Unit Mounted Circuit Breaker	Consult Matrix Sheets
FIYUCB4060A	Unit Mounted Circuit Breaker	Consult Matrix Sheets
FIYUCB4070A	Unit Mounted Circuit Breaker	Consult Matrix Sheets
FIYUCB4080A	Unit Mounted Circuit Breaker	Consult Matrix Sheets
FIYUCB4090A	Unit Mounted Circuit Breaker	Consult Matrix Sheets
FIYUCB4100A	Unit Mounted Circuit Breaker	Consult Matrix Sheets
FIYUCB4110A	Unit Mounted Circuit Breaker	Consult Matrix Sheets
FIYUCB4125A	Unit Mounted Circuit Breaker	Consult Matrix Sheets
FIYUCB4150A	Unit Mounted Circuit Breaker	Consult Matrix Sheets
FIYUCB6110A	Unit Mounted Circuit Breaker	Consult Matrix Sheets
FIYUCB6125A	Unit Mounted Circuit Breaker	Consult Matrix Sheets
Through the Base Electrical		
Must be used with either factory installed Unit Mounted Disconnect Switch or Unit Mounted Circuit Breaker (downflow only). If no factory installed Unit Mounted Disconnect Switch or Unit Mounted Circuit Breaker is required, order the Through the Base Utility Access (FIYTBUA***) from page FIOP13		
FIYTBUE101A	Through-the-Base Electrical Option	Consult Matrix Sheets
FIYTBUE105A	Through-the-Base Electrical Option	Consult Matrix Sheets
FIYTBUE109A	Through-the-Base Electrical Option	Consult Matrix Sheets
FIYTBUE201A	Through-the-Base Electrical Option	Consult Matrix Sheets
FIYTBUE206A	Through-the-Base Electrical Option	Consult Matrix Sheets
FIYTBUE207A	Through-the-Base Electrical Option	Consult Matrix Sheets
FIYTBUE211A	Through-the-Base Electrical Option	Consult Matrix Sheets
FIYTBUE212A	Through-the-Base Electrical Option	Consult Matrix Sheets
Black Epoxy Coated Condenser Coil		
FIYCOIL205A	Black Epoxy Coated Condenser Coil	YCD/YCH150
FIYCOIL206A	Black Epoxy Coated Condenser Coil	YCD/YCH151,180,210
FIYCOIL209A	Black Epoxy Coated Condenser Coil	YCD/YCH181,211,241,301,240
FIYCOIL210A	Black Epoxy Coated Condenser Coil	YCD/YCH300



Horizontal/Downflow Packaged Gas/Electric Factory Installed Options (FIOPS)

Accessories:

Model Number	Description	Used With
ReliaTel™ Options Module		
FIYABRD002B is required when ordering the following accessories: Clogged Filter Switch (FIYDFPS005A/BAYDFPS005A), Fan Fail Switch (FIYDFPS006A/BAYDFPS006A), Discharge Air Sensing Kit (FIYTUBE008A,FIYTUBE009A, BAYTUBE008A, BAYTUBE009A), Frostat (FIYLOAM023A, BAYLOAM023A), Ventilation Override (must order BAYVNOR002B), Smoke Detector (FIYSMDT).		
FIYABRD002B	ReliaTel™ Options Module	All Voyager Units
Return Air Smoke Detector for downflow units with economizer ①②		
Option cannot be ordered in conjunction with field installed economizer.		
FIYSMDT221A	Return Air Smoke Detector	YCD150,151,180,210 w/FIYABRD002B
FIYSMDT223A	Return Air Smoke Detector	YCD181,211,240,241,300,301 w/FIYABRD002B
Return Air Smoke Detector for downflow units without economizer ①②		
FIYSMDT222A	Return Air Smoke Detector	YCD150,151,180,210 w/FIYABRD002B
FIYSMDT224A	Return Air Smoke Detector	YCD181,211,240,241,300,301 w/FIYABRD002B
Supply Air Smoke Detector for downflow units ②		
FIYSMDT225A	Supply Air Smoke Detector	YCD150,151,180,210 w/FIYABRD002B
FIYSMDT228A	Supply Air Smoke Detector	YCD181,211,240,241,300,301 w/FIYABRD002B
Supply and Return Air Smoke Detectors for downflow units with economizer		
Option cannot be ordered in conjunction with field installed economizer.		
FIYSMDT226A	Supply and Return Air Smoke Detector	YCD150,151,180,210 w/FIYABRD002B
FIYSMDT229A	Supply and Return Air Smoke Detector	YCD181,211,240,241,300,301 w/FIYABRD002B
Supply and Return Air Smoke Detectors for downflow units without economizer		
FIYSMDT227A	Supply and Return Air Smoke Detector	YCD150,151,180,210 w/FIYABRD002B
FIYSMDT230A	Supply and Return Air Smoke Detector	YCD181,211,240,241,300,301 w/FIYABRD002B
<p>The return air smoke detector may not fit up or work properly on the Voyager units when used in conjunction with 3rd party accessories (such as bolt on heat wheels, economizers, and power exhaust). Do not order the return air smoke detectors when using this type of accessory.</p> <p>② Smoke Detectors available for downflow units only.</p>		
Through the Base Utilities Access		
Order this accessory when no factory installed Unit Mounted Disconnect Switch or Unit Mounted Circuit Breaker is required. If factory installed Unit Mounted Disconnect or Unit Mounted Circuit Breaker is required, order the Through the Base Electrical (FIYTBUE****) from page FIOP12		
FIYTBUA204A	Through the Base Utilities Access	YCD150,151,180,210
FIYTBUA206A	Through the Base Utilities Access	YCD181,211,240,241,300,301
Frostat		
FIYLOAM023A	Frostat	YCD151,181,241-3,4, W with H,J,K,L in 10th digit w/FIYABRD002B



It's Hard To Stop A Trane®

Horizontal/Downflow Packaged Gas/Electric Factory Installed Options (FIOPS)

Model Number (1)(4) * L or H Heat	High Efficiency Motors FIYHEMT A (5)	Through-the-Base Electrical FIYTBE A (3) (Downflow Only)	Unit Mounted Disconnect FIYUC A (2) (Downflow Only)	Unit Mounted Circuit Breaker FIYUCB A (2) (Downflow Only)
YFD150D3*0B	003	206	6100	4080
YFD150D3*BB	006	206	6100	4080
YFD150D4*0B	004	206	6100	4040
YFD150D4*BB	007	206	6100	4040
YFD150DW*0B	005	206	6100	4030
YFD150DW*BB	008	206	6100	4035
YFD151C3*0B	003	206	6100	4080
YFD151C3*BB	006	206	6100	4090
YFD151C4*0B	004	206	6100	4040
YFD151C4*BB	007	206	6100	4040
YFD151CW*0B	005	206	6100	4030
YFD151CW*BB	008	206	6100	4035
YFD151C3*HB	003	206	6100	4070
YFD151C3*JB	006	206	6100	4080
YFD151C4*HB	004	206	6100	4035
YFD151C4*JB	007	206	6100	4040
YFD151CW*HB	005	206	6100	4030
YFD151CW*JB	008	206	6100	4030
YFD180B3*0H	003	206	6100	4090
YFD180B3*BH	006	206	6100	4100
YFD180B4*0H	004	206	6100	4050
YFD180B4*BH	007	206	6100	4050
YFD180BW*0H	005	206	6100	4040
YFD180BW*BH	008	206	6100	4040
YFD181C3*0C	003	212	6100	4090
YFD181C3*MC	006	212	6100	4100
YFD181C3*NC	003	212	6100	4090
YFD181C3*PC	006	212	6100	6100
YFD181C3*RC	004	211	6100	6100
YFD181C4*0C	004	211	6100	4050
YFD181C4*MC	007	211	6100	4050
YFD181C4*NC	004	211	6100	4045
YFD181C4*PC	007	211	6100	4050
YFD181C4*RC	007	211	6100	4050
YFD181CW*0C	005	211	6100	4040
YFD181CW*BC	008	211	6100	4040
YFD181CW*MC	005	211	6100	4035
YFD181CW*NC	005	211	6100	4035
YFD181CW*PC	008	211	6100	4040
YFD181CW*RC	008	211	6100	4040
YFD181C3*HC	003	212	6100	4090
YFD181C3*JC	006	212	6100	4090
YFD181C4*HC	004	211	6100	4050
YFD181C4*JC	007	211	6100	4050
YFD181CW*HC	005	211	6100	4040
YFD181CW*JC	008	211	6100	4040

FACTORY INSTALLED OPTIONS (FIOPS)

**ALL FACTORY INSTALLED OPTIONS ARE BUILT-TO-ORDER.
CHECK ORDER SERVICES FOR ESTIMATED PRODUCTION CYCLE.**

- (1) Unit model # changes to "F" in 2nd digit, indicating desire for factory installed options (unit nameplate will still reflect standard model #, i.e. YCD).
- (2) Unit mounted disconnect and circuit breakers are mutually exclusive of each other.
- (3) Through-the-base electrical option must be ordered with either unit mounted disconnect or circuit breaker.
- (4) When ordering economizer ("A" in 10th digit), TC1 ("F" in 10th digit), or economizer and TC1 ("G" in 10th digit) use line with model number with "0" in 10th digit for FIOF selections; when ordering oversized motor ("B" in 10th digit) or economizer ("C" in 10th digit) use line with model number with "B" in 10th digit for FIOF selections; when ordering oversized motor & economizer ("L" in 10th digit) use line with model number with "H" in 10th digit for FIOF selections; when ordering thermal expansion valve ("H" in 10th digit) use line with model number with "J" in 10th digit for FIOF selections; when ordering thermal expansion valve with oversized motor ("J" in 10th digit) or economizer ("K" in 10th digit) use line with model number with "J" in 10th digit for FIOF selections.
- (5) High efficiency motors can be factory installed on downflow and horizontal units unless noted. When ordering horizontal units with high efficiency motors, unit model # changes to "H" in 3rd digit.



It's Hard To Stop A Trane.®

Horizontal/Downflow Packaged Gas/Electric Factory Installed Options (FIOPS)

Model Number (1)(4) * L or H Heat	High Efficiency Motors FIYHEMT A (5)	Through-the-Base Electrical FIYTBE A (3) (Downflow Only)	Unit Mounted Disconnect FIYUDC A (2) (Downflow Only)	Unit Mounted Circuit Breaker FIYUCB A (2) (Downflow Only)
YFD210C3*0E	006	206	6100	4100
YFD210C3*0E	009	206	4150	4125
YFD210C4*0E	007	206	6100	4050
YFD210C4*BE	010	206	6100	4060
YFD210CW*0E	008	206	6100	4045
YFD210CW*BE	011	206	6100	4045
YFD211C3*0C	006	212	4150	4110
YFD211C3*BC	009	212	4150	4125
YFD211C4*0C	007	211	6100	4060
YFD211C4*BC	010	211	6100	4060
YFD211CW*0C	008	211	6100	4045
YFD211CW*BC	011	211	6100	4050
YFD240B3*0J	006	212	4150	4125
YFD240B3*BJ	009	212	4150	4125
YFD240B4*0J	007	211	6100	4060
YFD240B4*BJ	010	211	6100	4060
YFD240BW*0J	008	211	6100	4045
YFD240BW*BJ	011	211	6100	4050
YFD241C3*0C	006	212	4150	4125
YFD241C3*BC	009	212	4150	4125
YFD241C3*MC	006	212	4150	6125
YFD241C3*NC	006	212	4150	6125
YFD241C3*PC	009	212	4150	6125
YFD241C4*0C	007	211	6100	4060
YFD241C4*BC	010	211	6100	4060
YFD241C4*MC	007	211	6100	4060
YFD241C4*NC	007	211	6100	4060
YFD241C4*PC	010	211	6100	4060
YFD241C4*RC	010	211	6100	4060
YFD241CW*0C	008	211	6100	4050
YFD241CW*BC	011	211	6100	4050
YFD241CW*MC	008	211	6100	4050
YFD241CW*NC	008	211	6100	4050
YFD241CW*PC	011	211	6100	4050
YFD241C3*HC	006	212	4150	4125
YFD241C3*JC	009	212	4150	4125
YFD241C4*HC	007	211	6100	4060
YFD241C4*JC	010	211	6100	4070
YFD241CW*HC	008	211	6100	4050
YFD241CW*JC	011	211	6100	4050

FACTORY INSTALLED OPTIONS (FIOPS)

(1) Unit model # changes to "F" in 2nd digit, indicating desire for factory installed options (unit nameplate will still reflect standard model #, i.e. YCD).
 (2) Unit mounted disconnect and circuit breakers are mutually exclusive of each other.

(3) Through-the-base electrical option must be ordered with either unit mounted disconnect or circuit breaker.

(4) When ordering economizer ("A" in 10th digit), TC1 ("F" in 10th digit), or economizer and TC1 ("G" in 10th digit) use line with model number with "0" in 10th digit for FIOP selections; when ordering oversized motor ("B" in 10th digit) or oversized motor & economizer ("C" in 10th digit) use line with model number with "B" in 10th digit for FIOP selections. When ordering thermal expansion valve ("H" in 10th digit) with economizer ("L" in 10th digit) use line with model number with "H" in 10th digit for FIOP selections; when ordering thermal expansion valve with oversized motor ("J" in 10th digit) or oversized motor & economizer ("K" in 10th digit) use line with model number with "J" in 10th digit for FIOP selections.

(5) High efficiency motors can be factory installed on downflow and horizontal units unless noted. When ordering horizontal units with high efficiency motors, unit model # changes to "H" in 3rd digit.

ALL FACTORY INSTALLED OPTIONS ARE BUILT-TO-ORDER.
 CHECK ORDER SERVICES FOR ESTIMATED PRODUCTION CYCLE.



TRANE
It's Hard To Stop A Trane®

Horizontal/Downflow Packaged Gas/Electric Factory Installed Options (FIOPS)

Model Number (1)(4) * L or H Heat	High Efficiency Motors FIYHEMT__A (5)	Through-the-Base Electrical FIYTBUE__A (3) (Downflow Only)	Unit Mounted Disconnect FIYUDC__A (2) (Downflow Only)	Unit Mounted Circuit Breaker FIYUCB__A (2) (Downflow Only)
YFD300B3*0H	009	212	4150	4150
YFD300B4*0H	010	211	6100	4070
YFD300BW*0H	011	211	6100	4050
YFD301C3*0C	009	212	4150	4150
YFD301C4*0C	010	211	6100	4070
YFD301CW*0C	011	211	6100	4060

FACTORY INSTALLED OPTIONS (FIOPS)

- (1) Unit model # changes to "F" in 2nd digit, indicating desire for factory installed options (unit nameplate will still reflect standard model #, i.e. YCD).
- (2) Unit mounted disconnect and circuit breakers are mutually exclusive of each other.
- (3) Through-the-base electrical option must be ordered with either unit mounted disconnect or circuit breaker.
- (4) When ordering economizer ("A" in 10th digit), TCI ("F" in 10th digit), or economizer and TCI ("G" in 10th digit) use line with model number with "0" in 10th digit for FIOp selections; when ordering oversized motor ("B" in 10th digit) or oversized motor & economizer ("C" in 10th digit) use line with model number with "B" in 10th digit for FIOp selections. When ordering thermal expansion valve ("H" in 10th digit) with economizer ("L" in 10th digit) use line with model number with "H" in the 10th digit for FIOp selections; when ordering thermal expansion valve with oversized motor ("J" in 10th digit) or oversized motor & economizer ("K" in 10th digit) uses line with model number with "J" in 10th digit for FIOp selections.
- (5) High efficiency motors can be factory installed on downflow and horizontal units unless noted. When ordering horizontal units with high efficiency motors, unit model # changes to "H" in 3rd digit.

**ALL FACTORY INSTALLED OPTIONS ARE BUILT-TO-ORDER.
CHECK ORDER SERVICES FOR ESTIMATED PRODUCTION CYCLE.**



It's Hard To Stop A Trane.®

Horizontal/Downflow Packaged Heat Pump Factory Installed Options (FIOPS)

Accessories:

Model Number	Description	Used With
Switches		
FIYDFPS005A	Clogged Filter Switch	All Voyager Units w/FIYABRD002B
FIYDFPS006A	Fan Failure Switch	All Voyager Units w/FIYABRD002B
Economizer Actuator Logic Module		
Economizer Actuator Logic Module is required with FIOPS (Factory Installed Options) Enthalpy.		
FIYLGCM001A	Economizer Actuator Logic Module	All Voyager 12½-25 Tons with Economizer
Enthalpy Kits		
Must select Economizer Actuator Logic Module (FIYLGCM001A) in order to configure and price a Voyager unit. This module does not need to be selected when ordering the field installed accessory.		
FIYENTH007A	Reference Enthalpy	Downflow Units w/A,C or G in 10th Digit
FIYENTH008A	Comparative Enthalpy	Downflow Units w/A,C or G in 10th Digit
TCI		
FIYICSI004B	Trane Communication Interface	WC*150-240**
LCI		
FIYLTCI003B	LonTalk Interface	WC*150-240
Discharge Air Sensing Kit		
Used for true discharge air sensing in models with electric heat. Functional only with ReliaTel™ Options Module (FIYABRD002B).		
FIYTUBE008A	Discharge Air Sensing Kit	WCD150-240B3,4,W w/FIYABRD002B
FIYTUBE009A	Discharge Air Sensing Kit	WCH150-240B1,3,4,W w/FIYABRD002B
Tool-less Condenser Hail Guard		
FIYGARD004A	Tool-less Condenser Hail Guard	WC*180B
FIYGARD003A	Tool-less Condenser Hail Guard	WC*240B
Convenience Outlet		
Must be used with Through-the-Base Electrical option and either Unit Mounted Disconnect or Circuit Breaker (downflow only).		
FIYCOPO201A	Powered, 120v. Convenience Outlet, 230v	WCD150-240B3
FIYCOPO202A	Powered, 120v. Convenience Outlet, 460v.	WCD150-240B4
FIYCOPO205A	Powered, 120v. Convenience Outlet, 575v.	WCD150-240BW
FIYCOUP201A	Unpowered, 115v. Convenience Outlet	WCD150-240B3,4,W
2" Pleated Filters		
FIYPLTD001A	2" Pleated Filters	WCD/WCH150,180B
FIYPLTD002A	2" Pleated Filters	WCD240B
FIYPLTD003A	2" Pleated Filters	WCH240B



Horizontal/Downflow Packaged Heat Pump Factory Installed Options (FIOPS)

Accessories:

Model Number	Description	Used With
Filter & Control Access		
Used on downflow units only.		
FIYHNGE004A	Hinged Filter/Evap. and Comp./Control Access Door	WCD150-180
FIYHNGE009A	Hinged Filter/Evap. and Comp./Control Access Door	WCD240
Disconnect Switch Cannot be fused.		
Must be used with Through-the-Base Electrical option (downflow only).		
FIYUDC4100A	Unit Mounted Disconnect Switch	Consult Matrix Sheets
FIYUDC4150A	Unit Mounted Disconnect Switch	Consult Matrix Sheets
FIYUDC3250A	Unit Mounted Disconnect Switch	Consult Matrix Sheets
FIYUDC6100A	Unit Mounted Disconnect Switch	Consult Matrix Sheets
High Efficiency Motors		
Can be used on downflow or horizontal units unless specified on matrix sheets.		
FIYHEMT001A	2 HP High Effic. Motor (86.5 Eff.)(208-230/460/60/3)	Consult Matrix Sheets
FIYHEMT002A	2 HP High Effic. Motor (86.5 Eff.)(575/60/3)	Consult Matrix Sheets
FIYHEMT003A	3 HP High Effic. Motor (89.5 Eff.)(208-230/60/3)	Consult Matrix Sheets
FIYHEMT004A	3 HP High Effic. Motor (89.5 Eff.)(460/60/3)	Consult Matrix Sheets
FIYHEMT005A	3 HP High Effic. Motor (89.5 Eff.)(575/60/3)	Consult Matrix Sheets
FIYHEMT006A	5 HP High Effic. Motor (91.0 Eff.)(208-230/60/3)	Consult Matrix Sheets
FIYHEMT007A	5 HP High Efficiency Motor (91.0 Eff.)(460/60/3)	Consult Matrix Sheets
FIYHEMT008A	5 HP High Efficiency Motor (91.0 Eff.)(575/60/3)	Consult Matrix Sheets
FIYHEMT009A	7½ HP High Efficiency Motor (90.2 Eff.)(208-230/60/3)	Consult Matrix Sheets
FIYHEMT010A	7½ HP High Efficiency Motor (90.2 Eff.)(460/60/3)	Consult Matrix Sheets
FIYHEMT011A	7½ HP High Efficiency Motor (90.2 Eff.)(575/60/3)	Consult Matrix Sheets
Circuit Breaker		
Must be used with Through-the-Base Electrical option (downflow only).		
FIYUCB4015A	Unit Mounted Circuit Breaker	Consult Matrix Sheets
FIYUCB4020A	Unit Mounted Circuit Breaker	Consult Matrix Sheets
FIYUCB4025A	Unit Mounted Circuit Breaker	Consult Matrix Sheets
FIYUCB4030A	Unit Mounted Circuit Breaker	Consult Matrix Sheets
FIYUCB4035A	Unit Mounted Circuit Breaker	Consult Matrix Sheets
FIYUCB4040A	Unit Mounted Circuit Breaker	Consult Matrix Sheets
FIYUCB4045A	Unit Mounted Circuit Breaker	Consult Matrix Sheets
FIYUCB4050A	Unit Mounted Circuit Breaker	Consult Matrix Sheets
FIYUCB4060A	Unit Mounted Circuit Breaker	Consult Matrix Sheets
FIYUCB4070A	Unit Mounted Circuit Breaker	Consult Matrix Sheets
FIYUCB4080A	Unit Mounted Circuit Breaker	Consult Matrix Sheets
FIYUCB4090A	Unit Mounted Circuit Breaker	Consult Matrix Sheets
FIYUCB4100A	Unit Mounted Circuit Breaker	Consult Matrix Sheets
FIYUCB4110A	Unit Mounted Circuit Breaker	Consult Matrix Sheets
FIYUCB4125A	Unit Mounted Circuit Breaker	Consult Matrix Sheets
FIYUCB4150A	Unit Mounted Circuit Breaker	Consult Matrix Sheets
FIYUCB3175A	Unit Mounted Circuit Breaker	Consult Matrix Sheets
FIYUCB3200A	Unit Mounted Circuit Breaker	Consult Matrix Sheets
FIYUCB3225A	Unit Mounted Circuit Breaker	Consult Matrix Sheets
FIYUCB3250A	Unit Mounted Circuit Breaker	Consult Matrix Sheets
FIYUCB6110A	Unit Mounted Circuit Breaker	Consult Matrix Sheets
FIYUCB6125A	Unit Mounted Circuit Breaker	Consult Matrix Sheets



It's Hard To Stop A Trane.®

Horizontal/Downflow Packaged Heat Pump Factory Installed Options (FIOPS)

Accessories:

Model Number	Description	Used With
--------------	-------------	-----------

Through the Base Electrical

Must be used with factory installed Unit Mounted Disconnect Switch or Unit Mounted Circuit Breaker (downflow only). When adding heat, must order Trane Electric Heat. If no factory installed Unit Mounted Disconnect Switch or Unit Mounted Circuit Breaker is required, order the Through the Base Utility Access Option (FIYTBUA****) from page F1OP21

FIYTBUE102A	Through-the-Base Electrical Option	Consult Matrix Sheets
FIYTBUE103A	Through-the-Base Electrical Option	Consult Matrix Sheets
FIYTBUE104A	Through-the-Base Electrical Option	Consult Matrix Sheets
FIYTBUE106A	Through-the-Base Electrical Option	Consult Matrix Sheets
FIYTBUE107A	Through-the-Base Electrical Option	Consult Matrix Sheets
FIYTBUE108A	Through-the-Base Electrical Option	Consult Matrix Sheets
FIYTBUE202A	Through-the-Base Electrical Option	Consult Matrix Sheets
FIYTBUE203A	Through-the-Base Electrical Option	Consult Matrix Sheets
FIYTBUE204A	Through-the-Base Electrical Option	Consult Matrix Sheets
FIYTBUE205A	Through-the-Base Electrical Option	Consult Matrix Sheets
FIYTBUE207A	Through-the-Base Electrical Option	Consult Matrix Sheets
FIYTBUE208A	Through-the-Base Electrical Option	Consult Matrix Sheets
FIYTBUE209A	Through-the-Base Electrical Option	Consult Matrix Sheets
FIYTBUE210A	Through-the-Base Electrical Option	Consult Matrix Sheets
FIYTBUE213A	Through-the-Base Electrical Option	Consult Matrix Sheets
FIYTBUE214A	Through-the-Base Electrical Option	Consult Matrix Sheets
FIYTBUE215A	Through-the-Base Electrical Option	Consult Matrix Sheets
FIYTBUE216A	Through-the-Base Electrical Option	Consult Matrix Sheets

Electric Heat

Must be factory installed when using with Through-the-Base Electrical option.

FIYHTRP105A	Factory Installed 6 KW Electric Heat	See Unit Price Sheets
FIYHTRP110A	Factory Installed 10 KW Electric Heat	See Unit Price Sheets
FIYHTRP114A	Factory Installed 14 KW Electric Heat	See Unit Price Sheets
FIYHTRP118A	Factory Installed 18 KW Electric Heat	See Unit Price Sheets
FIYHTRP306A	Factory Installed 6 KW Electric Heat	See Unit Price Sheets
FIYHTRP312A	Factory Installed 12 KW Electric Heat	See Unit Price Sheets
FIYHTRP318A	Factory Installed 18 KW Electric Heat	See Unit Price Sheets
FIYHTRP323A	Factory Installed 23 KW Electric Heat	See Unit Price Sheets
FIYHTRP406A	Factory Installed 6 KW Electric Heat	See Unit Price Sheets
FIYHTRP412A	Factory Installed 12 KW Electric Heat	See Unit Price Sheets
FIYHTRP418A	Factory Installed 18 KW Electric Heat	See Unit Price Sheets
FIYHTRP423A	Factory Installed 23 KW Electric Heat	See Unit Price Sheets
FIYHTRPW06A	Factory Installed 6 KW Electric Heat	See Unit Price Sheets
FIYHTRPW12A	Factory Installed 12 KW Electric Heat	See Unit Price Sheets
FIYHTRPW18A	Factory Installed 18 KW Electric Heat	See Unit Price Sheets
FIYHTRPW23A	Factory Installed 23 KW Electric Heat	See Unit Price Sheets
FIDHTRA327B	Factory Installed 27 KW Electric Heat	See Unit Price Sheets
FIDHTRA336B	Factory Installed 36 KW Electric Heat	See Unit Price Sheets
FIDHTRB309B	Factory Installed 9 KW Electric Heat	See Unit Price Sheets
FIDHTRB318B	Factory Installed 18 KW Electric Heat	See Unit Price Sheets
FIDHTRD318A	Factory Installed 18 KW Electric Heat	See Unit Price Sheets
FIDHTRD336A	Factory Installed 36 KW Electric Heat	See Unit Price Sheets
FIDHTRD354A	Factory Installed 54 KW Electric Heat	See Unit Price Sheets
FIDHTRK318A	Factory Installed 18 KW Electric Heat	See Unit Price Sheets
FIDHTRK336A	Factory Installed 36 KW Electric Heat	See Unit Price Sheets
FIDHTRK354A	Factory Installed 54 KW Electric Heat	See Unit Price Sheets
FIDHTRL336A	Factory Installed 36 KW Electric Heat	See Unit Price Sheets
FIDHTRL354A	Factory Installed 54 KW Electric Heat	See Unit Price Sheets
FIDHTRK372A	Factory Installed 72 KW Electric Heat	See Unit Price Sheets
FIDHTRA409B	Factory Installed 9 KW Electric Heat	See Unit Price Sheets
FIDHTRA418B	Factory Installed 18 KW Electric Heat	See Unit Price Sheets
FIDHTRA427B	Factory Installed 27 KW Electric Heat	See Unit Price Sheets



Horizontal/Downflow Packaged Heat Pump Factory Installed Options (FIOPS)

Accessories:

Model Number	Description	Used With
FIDHTRA436B	Factory Installed 36 KW Electric Heat	See Unit Price Sheets
FIDHTRC418A	Factory Installed 18 KW Electric Heat	See Unit Price Sheets
FIDHTRD418A	Factory Installed 9 KW Electric Heat	See Unit Price Sheets
FIDHTRD436A	Factory Installed 36 KW Electric Heat	See Unit Price Sheets
FIDHTRD454A	Factory Installed 54 KW Electric Heat	See Unit Price Sheets
FIDHTRK436A	Factory Installed 36 KW Electric Heat	See Unit Price Sheets
FIDHTRK454A	Factory Installed 54 KW Electric Heat	See Unit Price Sheets
FIDHTRL436A	Factory Installed 36 KW Electric Heat	See Unit Price Sheets
FIDHTRL454A	Factory Installed 54 KW Electric Heat	See Unit Price Sheets
FIDHTRK472A	Factory Installed 72 KW Electric Heat	See Unit Price Sheets
FIDHTRAW18B	Factory Installed 18 KW Electric Heat	See Unit Price Sheets
FIDHTRAW27B	Factory Installed 27 KW Electric Heat	See Unit Price Sheets
FIDHTRCW18A	Factory Installed 18 KW Electric Heat	See Unit Price Sheets
FIDHTRCW36A	Factory Installed 36 KW Electric Heat	See Unit Price Sheets
FIDHTRCW54A	Factory Installed 54 KW Electric Heat	See Unit Price Sheets
FIDHTRDW18A	Factory Installed 18 KW Electric Heat	See Unit Price Sheets
FIDHTRDW54A	Factory Installed 54 KW Electric Heat	See Unit Price Sheets
FIDHTRKW36A	Factory Installed 36 KW Electric Heat	See Unit Price Sheets
FIDHTRKW54A	Factory Installed 54 KW Electric Heat	See Unit Price Sheets
FIDHTRLW36A	Factory Installed 36 KW Electric Heat	See Unit Price Sheets
FIDHTRMW36A	Factory Installed 36 KW Electric Heat	See Unit Price Sheets
FIDHTRKW72A	Factory Installed 72 KW Electric Heat	See Unit Price Sheets
FIHHTRA327B	Factory Installed 27 KW Electric Heat	See Unit Price Sheets
FIHHTRA336B	Factory Installed 36 KW Electric Heat	See Unit Price Sheets
FIHHTRB309B	Factory Installed 9 KW Electric Heat	See Unit Price Sheets
FIHHTRB318B	Factory Installed 18 KW Electric Heat	See Unit Price Sheets
FIHHTRD318A	Factory Installed 18 KW Electric Heat	See Unit Price Sheets
FIHHTRD336A	Factory Installed 36 KW Electric Heat	See Unit Price Sheets
FIHHTRD354A	Factory Installed 54 KW Electric Heat	See Unit Price Sheets
FIHHTRM318A	Factory Installed 18 KW Electric Heat	See Unit Price Sheets
FIHHTRM336A	Factory Installed 36 KW Electric Heat	See Unit Price Sheets
FIHHTRM354A	Factory Installed 54 KW Electric Heat	See Unit Price Sheets
FIHHTRN336A	Factory Installed 36 KW Electric Heat	See Unit Price Sheets
FIHHTRN354A	Factory Installed 54 KW Electric Heat	See Unit Price Sheets
FIHHTRN372A	Factory Installed 72 KW Electric Heat	See Unit Price Sheets
FIHHTRA409B	Factory Installed 9 KW Electric Heat	See Unit Price Sheets
FIHHTRA418B	Factory Installed 18 KW Electric Heat	See Unit Price Sheets
FIHHTRA427B	Factory Installed 27 KW Electric Heat	See Unit Price Sheets
FIHHTRA436B	Factory Installed 36 KW Electric Heat	See Unit Price Sheets
FIHHTRM418A	Factory Installed 18 KW Electric Heat	See Unit Price Sheets
FIHHTRD418A	Factory Installed 18 KW Electric Heat	See Unit Price Sheets
FIHHTRM436A	Factory Installed 36 KW Electric Heat	See Unit Price Sheets
FIHHTRM454A	Factory Installed 54 KW Electric Heat	See Unit Price Sheets
FIHHTRN436A	Factory Installed 36 KW Electric Heat	See Unit Price Sheets
FIHHTRN454A	Factory Installed 54 KW Electric Heat	See Unit Price Sheets
FIHHTRN472A	Factory Installed 72 KW Electric Heat	See Unit Price Sheets
FIHHTRAW18B	Factory Installed 18 KW Electric Heat	See Unit Price Sheets
FIHHTRAW27B	Factory Installed 27 KW Electric Heat	See Unit Price Sheets
FIHHTRMW18A	Factory Installed 18 KW Electric Heat	See Unit Price Sheets
FIHHTRMW36A	Factory Installed 36 KW Electric Heat	See Unit Price Sheets
FIHHTRCW54A	Factory Installed 54 KW Electric Heat	See Unit Price Sheets
FIHHTREW36A	Factory Installed 36 KW Electric Heat	See Unit Price Sheets
FIHHTRMW54A	Factory Installed 54 KW Electric Heat	See Unit Price Sheets
FIHHTRNW36A	Factory Installed 36 KW Electric Heat	See Unit Price Sheets
FIHHTRNW54A	Factory Installed 54 KW Electric Heat	See Unit Price Sheets
FIHHTRNW72A	Factory Installed 72 KW Electric Heat	See Unit Price Sheets



Horizontal/Downflow Packaged Heat Pump Factory Installed Options (FIOPS)

Accessories:

Model Number	Description	Used With
FIHHRMW54A	Factory Installed 54 KW Electric Heat	See Unit Price Sheets
FIHHRNW54A	Factory Installed 54 KW Electric Heat	See Unit Price Sheets
FIHHRNW72A	Factory Installed 72 KW Electric Heat	See Unit Price Sheets
FIHHRN318A	Factory Installed 18 KW Electric Heat	See Unit Price Sheets
FIHHRNW18A	Factory Installed 18 KW Electric Heat	See Unit Price Sheets
FIHHRP336A	Factory Installed 36 KW Electric Heat	See Unit Price Sheets
FIHHRP436A	Factory Installed 36 KW Electric Heat	See Unit Price Sheets
FIHHRP454A	Factory Installed 54 KW Electric Heat	See Unit Price Sheets
FIHHRP454A	Factory Installed 54 KW Electric Heat	See Unit Price Sheets
FIHHRQW54A	Factory Installed 54 KW Electric Heat	See Unit Price Sheets
FIHHRP418A	Factory Installed 18 KW Electric Heat	See Unit Price Sheets
FIHHRQW36A	Factory Installed 18 KW Electric Heat	See Unit Price Sheets

Black Epoxy Coated Condenser Coil

FIYCOIL205A	Black Epoxy Coated Condenser Coil	WCD/WCH150B
FIYCOIL206A	Black Epoxy Coated Condenser Coil	WCD/WCH180B
FIYCOIL209A	Black Epoxy Coated Condenser Coil	WCD/WCH240B

ReliaTel™ Options Module

FIYABRD002B is required when ordering the following accessories: Clogged Filter Switch (FIYDFPS005A/BAYDFPS005A), Fan Fail Switch (FIYDFPS006A/BAYDFPS006A), Discharge Air Sensing Kit (FIYTUBE008A, FIYTUBE009A, BAYTUBE008A, BAYTUBE009A), Frostat (FIYLOAM023A, BAYLOAM023A), Ventilation Override (must order BAYVNOR002A), Smoke Detector (FIYSMDT).

FIYABRD002B	ReliaTel™ Options Module	All Voyager Units
-------------	--------------------------	-------------------

Return Air Smoke Detector for downflow units with economizer

Option cannot be ordered in conjunction with field installed economizer.

FIYSMDT221A	Return Air Smoke Detector	WCD150,180B w/FIYABRD002B
FIYSMDT223A	Return Air Smoke Detector	WCD240B w/FIYABRD002B

Return Air Smoke Detector for downflow units without economizer

FIYSMDT222A	Return Air Smoke Detector	WCD150,180B w/FIYABRD002B
FIYSMDT224A	Return Air Smoke Detector	WCD240B w/FIYABRD002B

Supply Air Smoke Detector for downflow units

FIYSMDT225A	Supply Air Smoke Detector	WCD150B-180B w/FIYABRD002B
FIYSMDT228A	Supply Air Smoke Detector	WCD240B w/FIYABRD002B

Supply and Return Air Smoke Detectors for downflow units with economizer

Option cannot be ordered in conjunction with field installed economizer.

FIYSMDT226A	Supply and Return Air Smoke Detector	WCD150,180B w/FIYABRD002B
FIYSMDT229A	Supply and Return Air Smoke Detector	WCD240B w/FIYABRD002B

Supply and Return Air Smoke Detectors for downflow units without economizer

FIYSMDT227A	Supply and Return Air Smoke Detector	WCD150,180B w/FIYABRD002B
FIYSMDT230A	Supply and Return Air Smoke Detector	WCD240B w/FIYABRD002B

① The return air smoke detector may not fit up or work properly on the Voyager units when used in conjunction with 3rd party accessories (such as bolt on heat wheels, economizers, and power exhaust). Do not order the return air smoke detectors when using this type of accessory.

Smoke Detectors available for downflow units only.

Through the Base Utilities Access

Order this accessory when no factory installed Unit Mounted Disconnect Switch or Unit Mounted Circuit Breaker is required. If factory installed Unit Mounted Disconnect Switch or Unit Mounted Circuit Breaker is required, order the Through the Base Electrical (FIYTBUE****) from page F1OP19

FIYTBUA205A	Through the Base Utilities Access	WCD150,180B3,B4
FIYTBUA207A	Through the Base Utilities Access	WCD240,300B3,B4



It's Hard To Stop A Trane®

Horizontal/Downflow Packaged Heat Pump Factory Installed Options (FIOPS)

Model Number (1)	High Efficiency Motors FIYHEMT__A (5)	Through-the-Base Electrical FIYTBUE__A (3) (Downflow Only)			Unit Mounted Disconnect FIYUDC__A (2) (Downflow Only)			Unit Mounted Circuit Breaker FIYUCB__A (2) (Downflow Only)							
		CO*	18KW	36KW	54KW	72KW	CO*	18KW	36KW	54KW	72KW				
WFD150B300G	003	207	209	210	210	210	6100	4150	3250	3250	4080	6125	3175	3250	N/A
WFD150B30BG	006	207	209	210	210	210	6100	4150	3250	3250	4080	4150	3200	3250	N/A
WFD150B400G	004	207	208	208	209	209	6100	6100	6100	4150	4040	4060	4090	6125	N/A
WFD150B40BG	007	207	208	208	209	209	6100	6100	6100	4150	4040	4070	4090	6125	N/A
WFD150BW00G	005	207	208	208	208	208	6100	6100	6100	6100	4030	4050	4070	4090	N/A
WFD150BW0BG	008	207	208	208	208	208	6100	6100	6100	6100	4035	4050	4080	4100	N/A

FACTORY INSTALLED OPTIONS (FIOPS)

- (1) Unit model # changes to "F" in 2nd digit, indicating desire for factory installed options (unit nameplate will still reflect standard model #, i.e. WCD).
- (2) Unit mounted disconnect and circuit breakers are mutually exclusive of each other.
- (3) Through-the-base electrical option must be ordered with either unit mounted disconnect or circuit breaker. When adding heat, must order Trane Electric Heat.
- (4) When ordering economizer ("A" in 10th digit), TCI ("F" in 10th digit), or economizer and TCI ("G" in 10th digit) use line with model number with "0" in 10th digit for FIOF selections; when ordering oversized motor ("B" in 10th digit) or oversized motor & economizer ("C" in 10th digit) uses line with model number with "B" in 10th digit for FIOF selections.
- (5) High efficiency motors can be factory installed on downflow and horizontal units unless noted. When ordering horizontal units with high efficiency motors, unit model # changes to "H" in 3rd digit.



Horizontal/Downflow Packaged Heat Pump Factory Installed Options (FIOPS)

Model Number (1)	High Efficiency Motors FIYHEMT__A (5)	Through-the-Base Electrical FIYTBU__A (3) (Downflow Only)					Unit Mounted Disconnect FIYUDC__A (2) (Downflow Only)					Unit Mounted Circuit Breaker FIYUCB__A (2) (Downflow Only)					
		CO*	18KW	36KW	54KW	72KW	CO*	18KW	36KW	54KW	72KW	CO*	18KW	36KW	54KW	72KW	
WFD180B300G	003	207	209	210	210	N/A	6100	4150	3250	3250	54KW	N/A	4090	4150	3200	3250	N/A
WFD180B30BG	006	207	209	210	NA	N/A	6100	4150	3250	3250	N/A	4100	4150	3200	3250	N/A	N/A
WFD180B400G	004	207	208	208	209	N/A	6100	6100	6100	4150	N/A	4045	4070	4100	6125	N/A	N/A
WFD180B40BG	007	207	208	209	209	N/A	6100	6100	6100	4150	N/A	4050	4070	4100	6125	N/A	N/A
WFD180BW00G	005	207	208	208	209	N/A	6100	6100	6100	6100	N/A	4035	4060	4080	4100	N/A	N/A
WFD180BW0BG	008	207	208	208	209	N/A	6100	6100	6100	6100	N/A	4040	4060	4080	4100	N/A	N/A
WFD240B300G	006	213	N/A	216	216	N/A	4150	N/A	3250	NA	N/A	6125	N/A	3225	NA	N/A	N/A
WFD240B30BG	009	213	N/A	216	NA	N/A	4150	N/A	3250	NA	N/A	6125	N/A	3225	NA	N/A	N/A
WFD240B400G	007	213	N/A	215	215	N/A	6100	N/A	4150	4150	N/A	4060	N/A	6110	4150	N/A	N/A
WFD240B40BG	010	213	N/A	215	215	N/A	6100	N/A	4150	4150	N/A	4060	N/A	6110	4150	N/A	N/A
WFD240BW00G	008	213	N/A	214	215	215	6100	N/A	6100	4150	4150	4045	N/A	4090	6110	6125	6125
WFD240BW0BG	011	213	N/A	214	215	215	6100	N/A	6100	4150	4150	4050	N/A	4090	6110	6110	4150

FACTORY INSTALLED OPTIONS (FIOPS)

- (1) Unit model # changes to "F" in 2nd digit, indicating desire for factory installed options (unit nameplate will still reflect standard model #, i.e. WCD).
- (2) Unit mounted disconnect and circuit breakers are mutually exclusive of each other.
- (3) Through-the-base electrical option must be ordered with either unit mounted disconnect or circuit breaker. When adding heat, must order Trane Electric Heat.
- (4) When ordering economizer ("A" in 10th digit), TCI ("F" in 10th digit), or economizer and TCI ("G" in 10th digit) use line with model number with "0" in 10th digit for FIOP selections; when ordering oversized motor ("B" in 10th digit) or oversized motor & economizer ("C" in 10th digit) uses line with model number with "B" in 10th digit for FIOP selections.
- (5) High efficiency motors can be factory installed on downflow and horizontal units unless noted. When ordering horizontal units with high efficiency motors, unit model # changes to "H" in 3rd digit.

* Cooling Only

**ALL FACTORY INSTALLED OPTIONS ARE BUILT-TO-ORDER.
CHECK ORDER SERVICES FOR ESTIMATED PRODUCTION CYCLE.**

