

# 20 MAX

## CARSON® Heavywall

### BODY

Material:	Polyethylene Blend
Model:	20" Dia.
Weight:	30" Depth: 33 lbs 36" Depth: 29 lbs 42" Depth: 40 lbs 48" Depth: 50 lbs 64" Depth: 63 lbs
Mouseholes:	2

### EXTENSION

Material:	Polyethylene Blend
Weight:	2" Depth: 5 lbs 3" Depth: 6 lbs 4" Depth: 7 lbs 6" Depth: 7 lbs 8" Depth: 8 lbs 12" Depth: 10 lbs 7° Off Grade: 9 lbs 15° Off Grade: 13 lbs 22° Off Grade: 15 lbs

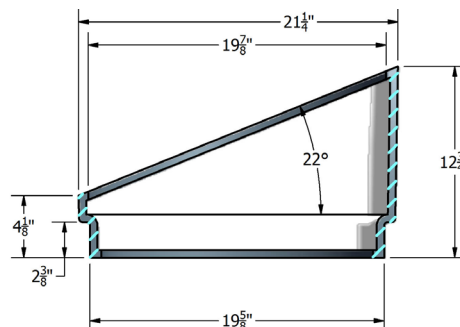
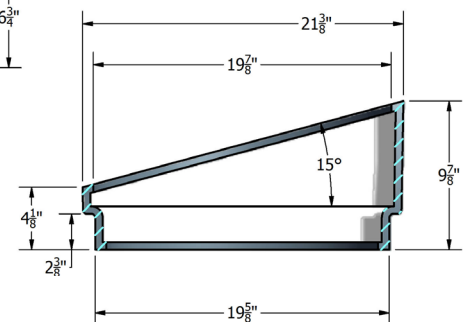
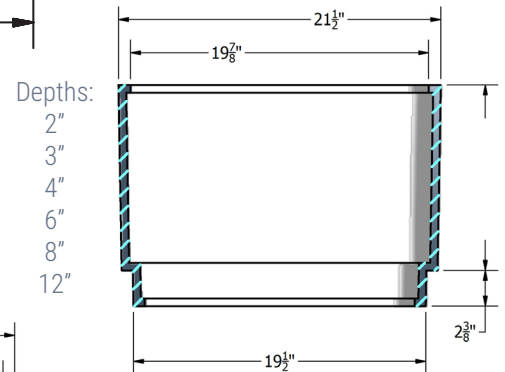
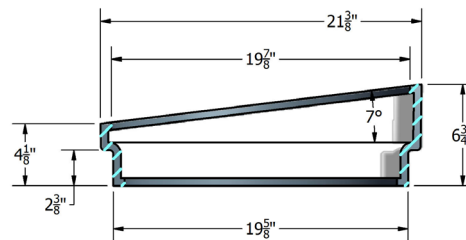
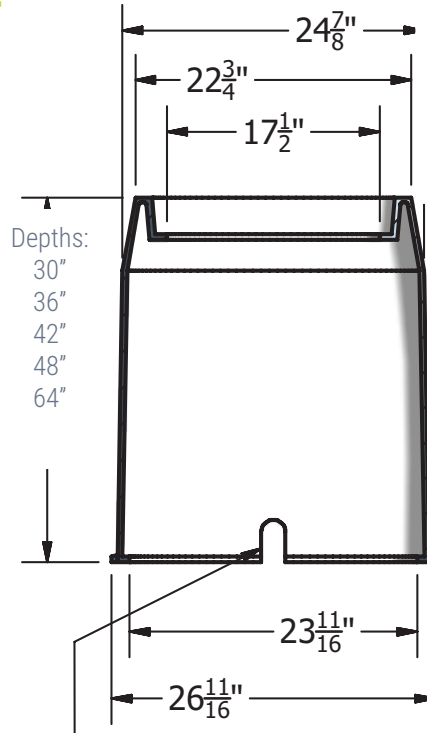
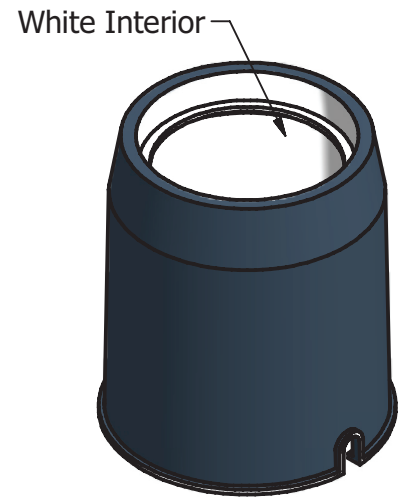
### LOAD RATING / NOTES



MEDIUM DUTY  
ANSI/SCTE TIER 15

For use in non-vehicular traffic situations only. Weights and dimensions may vary slightly. Actual load rating is determined by the box and cover combination.

Cover comes standard with permanent markings for manufacturer, load rating, model size and manufacturing location.



# 20 MAX

## CARSON® Heavywall

### COVER OPTIONS

- H2O Plastic, Flush Solid (requires cast iron frame)
- Cast Iron, Flush Solid with Frame (2 Piece)
- Cast Iron, T-Cover with Frame (2 Piece)
- Cast Iron, Flat Frame
- Drop In (requires cast iron frame)



H2O Plastic



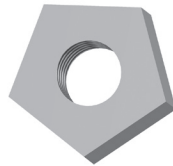
Cast Iron



Cast Iron Frame

### FASTENER OPTIONS

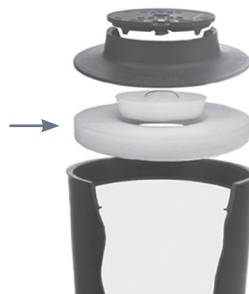
- Penta Nut, Large or Small



Penta Nut

### ADD ON OPTIONS

- Touch Read Hole
- ERT Holder (Plastic Cover)
- Thermo-Pak



Thermo-Pak

**WARNING:** Cancer - [www.P65Warnings.ca.gov](http://www.P65Warnings.ca.gov)

All information contained on this sheet is current at the time of publication.  
Oldcastle reserves the right to discontinue or update product information without notice.

Revision 12/02/18  
© 2018 Oldcastle Infrastructure