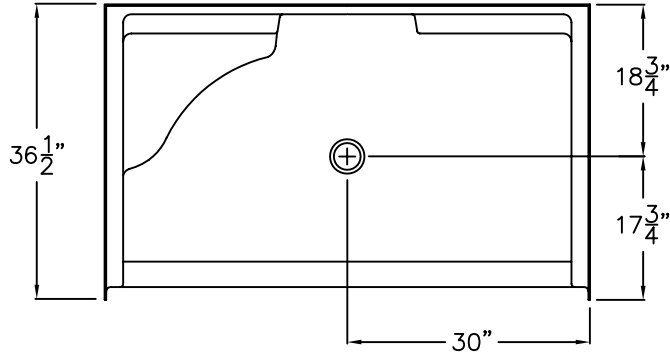


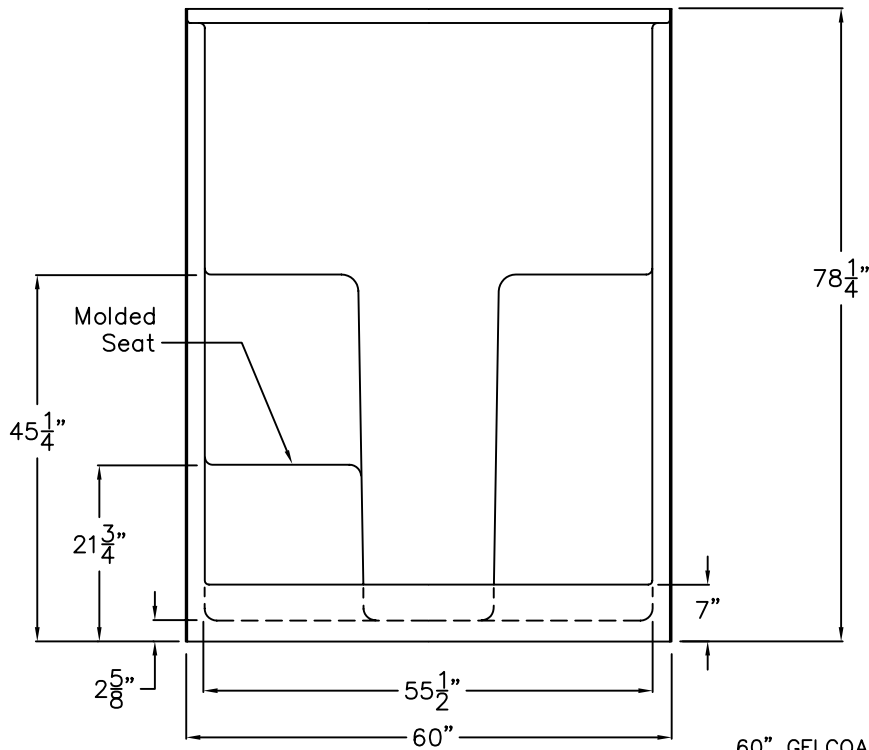
# LUXURY GELCOAT SERIES

## SUBMITTAL DATA

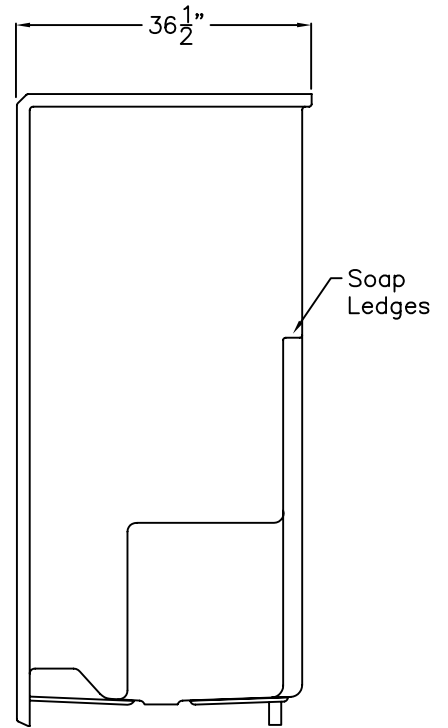
TOP VIEW



FRONT VIEW



SIDE VIEW



60" GELCOAT SHOWER WITH CENTER DRAIN. UNIT HAS ONE MOLDED SEAT, RIGHT OR LEFT AND MOLDED SOAP LEDGES.

DUE TO THE NATURE OF THE MATERIALS  
DIMENSIONS MAY VARY ± 1/2"

Job Name:	HAMILTON	
Model No.: G 6077 SH 1S	Drawing#: G 6077 SH 1S	
Approved by:	Date Approved:	Date: 6-7-07 Revised: 9-22-09
Rep.:	Wholesaler:	Quote No.:

PRAXIS INDUSTRIES, LLC.  
435 INDUSTRIAL ROAD, SAVANNAH, TN 38372  
1 (800) 326-5489 - FAX (888) 246-0466