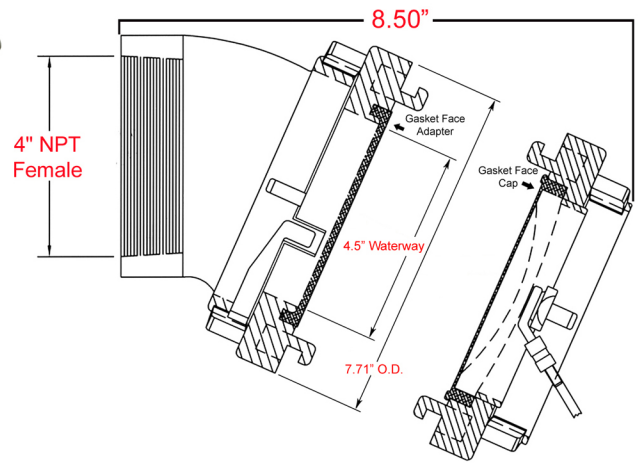


HARRINGTON STORZ FDC CONNECTIONS

H30E-50-40NPT/Cap

ALL ALUMINUM

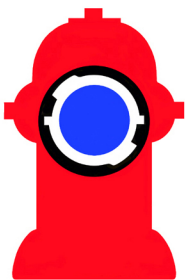
- 4" NPT Female rigid
- 30° Elbow
- 5" Storz with Storz-Lok
- 5" Storz Cap with cable
- Cap connected to the Storz adapter



Specify **HARRINGTON STORZ**

"H30E-50-40NPT/Cap"

- 250 psi working pressure



Harrington, Inc.
2630 W. 21st St.
Erie, PA 16506

Ph. 800-553-0078
daveh@harrinc.com



DWG No.: H30E-50-40NPT/Cap			
5" Storz 30° Elbow: 5 x 4" NPT Female rigid adapter with Storz Cap and SS Cable			
Date: 07/01/18	DB: DTH	Harrington Hydrant Storz	
Not to scale	Sheet 1 of 1	NPT	