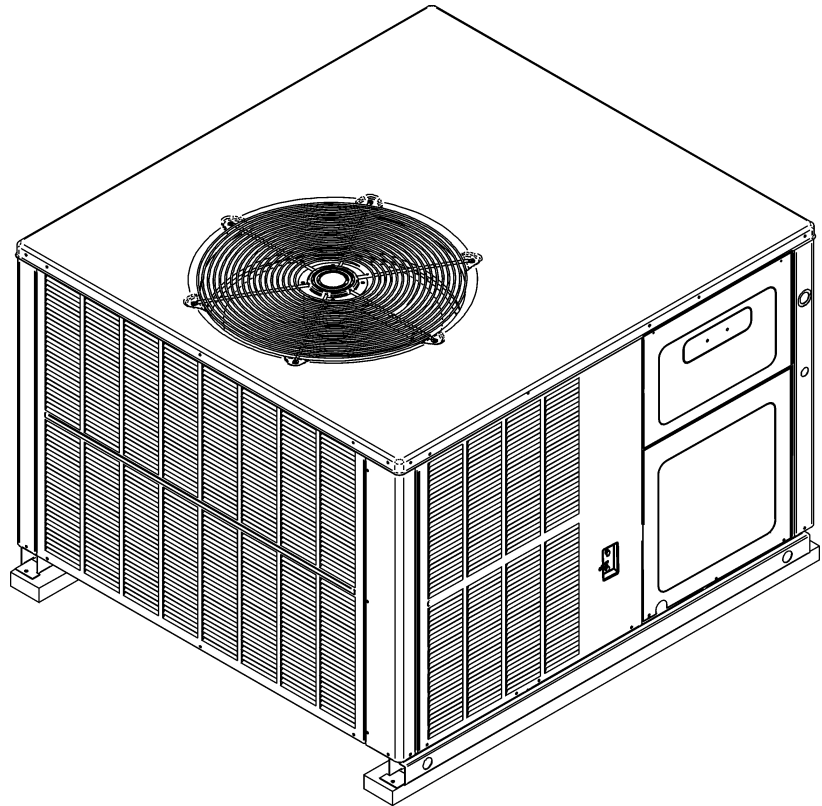


REPAIR PARTS

APH / GPH15 Package Heat Pumps

APH1524M41BA
APH1524M41CA
APH1530M41BA
APH1530M41CA
APH1536M41BA
APH1536M41CA
APH1543M41BA
APH1543M41CA
APH1549M41BA
APH1549M41CA
APH1560M41BA
APH1560M41CA
GPH1524M41BA
GPH1524M41CA
GPH1530M41BA
GPH1530M41CA
GPH1536M41BA
GPH1536M41CA
GPH1543M41BA
GPH1543M41CA
GPH1549M41BA
GPH1549M41CA
GPH1560M41BA
GPH1560M41CA



This manual is to be used by qualified technicians only.

This manual replaces RP-752.

© 2013 Goodman Manufacturing Company, L.P. ♦ 5151 San Felipe, Suite 500 ♦ Houston, TX 77056

Important Information

Index

Functional Parts List	3
Illustration and Parts	4 - 11

Views shown are for parts illustrations only, not servicing procedures

Rev A: addition of models with aluminum evaporator coils.

Text Codes:

AR - As Required

NA - Not Available

NS - Not Shown

00000000 - See Note

QTY - Quantity Example (QTY 3) (If Quantity not shown, Quantity = 1)

M - Model Example (M1) (If M Code not shown, then part is used on all Models)

Expanded Model Nomenclature:

Example M1 - Model#1 M2 - Model#2 M3 - Model#3

Goodman Manufacturing Company, L.P. is not responsible for personal injury or property damage resulting from improper service. Review all service information before beginning repairs.

Warranty service must be performed by an authorized technician, using authorized factory parts. If service is required after the warranty expires, Goodman Manufacturing Company, L.P. also recommends contacting an authorized technician and using authorized factory parts.

Goodman Manufacturing Company, L.P. reserves the right to discontinue, or change at any time, specifications or designs without notice or without incurring obligations.

For assistance within the U.S.A. contact:
Consumer Affairs Department
Goodman Manufacturing Company, L.P.
7401 Security Way
Houston, Texas 77040
877-254-4729-Telephone
713-863-2382-Facsimile

For assistance outside the U.S.A. contact:
International Division
Goodman Manufacturing Company, L.P.
7401 Security Way
Houston, Texas 77040
713-861-2500-Telephone
713-863-2382-Facsimile

Functional Parts

Part

No: Description:

Part No:	Description:	Part No:	Description:
0130M00025	24V RELAY (M9, M10, M11, M12, M21, M22, M23, M24)	0131M00466	PROGRAMMED MOTOR (M15)
0231K00067	BLOWER MOTOR 1 HP PROGRAMMED ECM (M11, M12)	0131M00616	PROGRAMMED MOTOR (M14)
0231K00070	BLOWER MOTOR 1/2 HP PROGRAMMED ECM (M1, M2, M3, M4, M5, M6)	0131M00622	PROGRAMMED MOTOR (M22)
0231K00066	BLOWER MOTOR 3/4 HP PROGRAMMED ECM (M7, M8, M9, M10)	0131M00625	PROGRAMMED MOTOR (M24)
D6723303S	BLOWER WHEEL	0131M00464	PROGRAMMED MOTOR (M21)
CAP100400440CT	CAP, 10/40 MFD, 440V/ DUAL RD (M11, M12, M23, M24)	0131M00619	PROGRAMMED MOTOR (M16)
CAP050400440CT	CAP, 5/40 MFD/440V/DUAL RD (M1, M2, M3, M4, M13, M14, M15, M16)	BT1256505	RELAY, WCK (M21, M22, M23, M24)
CAP050450440CT	CAP, 5/45 MFD/440V/DUAL RD (M5, M6, M7, M8, M17, M18, M19, M20)	0151M00019	REVERSING VALVE (M1, M2, M3, M4, M13, M14, M15, M16)
CAP050300440RS	CAPACITOR 5/30/440V (M9, M10, M21, M22)	0151M00021	REVERSING VALVE (M5, M6, M7, M8, M9, M10, M11, M12, M17, M18, M19, M20, M21, M22, M23, M24)
ZPS51K5EPFV130	COMP, 51900/208/230/60/1 (M11, M12, M23, M24)	B1225022	SOLENOID COIL
ZP34K5EPFV130	COMP, 34500, 208/230/60/1 (M7, M8, M19, M20)	0130M00138	TRANSFORMER, 208/230, 24V
ZPS40K5EPFV130	COMP, 41100, 208/230/60/1 (M9, M10, M21, M22)		
ZP21K5EPFV130	COMPRESSOR 21300, 208/230/60/1 (M1, M2, M13, M14)		
ZP25K5EPFV130	COMPRESSOR 25200, 208/230/60/1 (M3, M4, M15, M16)		
ZP31K5EPFV130	COMPRESSOR 31100, 208/230/60/1 (M5, M6, M17, M18)		
0131M00061	COND MOTOR 1/4 HP, 1 SP, 8 PL (M1, M2, M3, M4, M5, M6, M13, M14, M15, M16, M17, M18)		
0131M00430	COND MOTOR, 1/3 HP, 1 SP, 6 PL (M11, M12, M23, M24)		
0131M00429	COND MOTOR, 1/4 HP, 1 SP, 6 PL (M7, M8, M9, M10, M19, M20, M21, M22)		
CONT1P025024V	CONTACTOR 25 AMP, 1P, 24V (M1, M2, M3, M4, M5, M6, M13, M14, M15, M16, M17, M18)		
CONT1P030024V	CONTACTOR 30 AMP, 1P, 24V (M7, M8, M19, M20)		
CONT2P040024V	CONTACTOR 40 AMP, 2P, 24V (M9, M10, M11, M12, M21, M22, M23, M24)		
0130M00102	CONTROL, DEFROST		
0130L00017	CRANK CASE HEATER-70W 240V (M11, M12, M23, M24)		
0230G00005	CRANKCASE HEATER SWITCH (M5, M6, M7, M8, M9, M10, M11, M12, M17, M18, M19, M20, M21, M22, M23, M24)		
PCBDM133	DEFROST CONTROL BOARD		
0150M00011	FAN BLADE SWEPT-WING (M11, M23)		
0150G00002	FAN BLADE-SWEPT WING (M1, M2, M3, M4, M5, M6, M7, M8, M9, M10, M12, M13, M14, M15, M16, M17, M18, M19, M20, M21, M22, M24)		
0163R00003	HEATER, CRANKCASE 230V 40W (M7, M8, M9, M10, M19, M20, M21, M22)		
0163R00002	HEATER, CRANKCASE 230V, 40W (M5, M6, M17, M18)		
0130M00074	HIGH PRESSURE SWITCH		
0130M00075	LOW PRESSURE SWITCH		
PCBEM102	PCB, ECM PRIMARY, VSTB (M1, M2, M3, M4, M5, M6, M7, M8, M9, M10, M11, M12)		
0131M00463	PROGRAMMED MOTOR (M19, M20)		
0131M00462	PROGRAMMED MOTOR (M17, M18)		
0131M00461	PROGRAMMED MOTOR (M23)		
0131M00465	PROGRAMMED MOTOR (M13)		

Expanded Model Nomenclature

M1 - APH1524M41BA
M2 - APH1524M41CA
M3 - APH1530M41BA
M4 - APH1530M41CA
M5 - APH1536M41BA
M6 - APH1536M41CA
M7 - APH1543M41BA
M8 - APH1543M41CA
M9 - APH1549M41BA
M10 - APH1549M41CA
M11 - APH1560M41BA
M12 - APH1560M41CA
M13 - GPH1524M41BA
M14 - GPH1524M41CA
M15 - GPH1530M41BA
M16 - GPH1530M41CA
M17 - GPH1536M41BA
M18 - GPH1536M41CA
M19 - GPH1543M41BA
M20 - GPH1543M41CA
M21 - GPH1549M41BA
M22 - GPH1549M41CA
M23 - GPH1560M41BA
M24 - GPH1560M41CA

Cabinet Assembly

Image 1

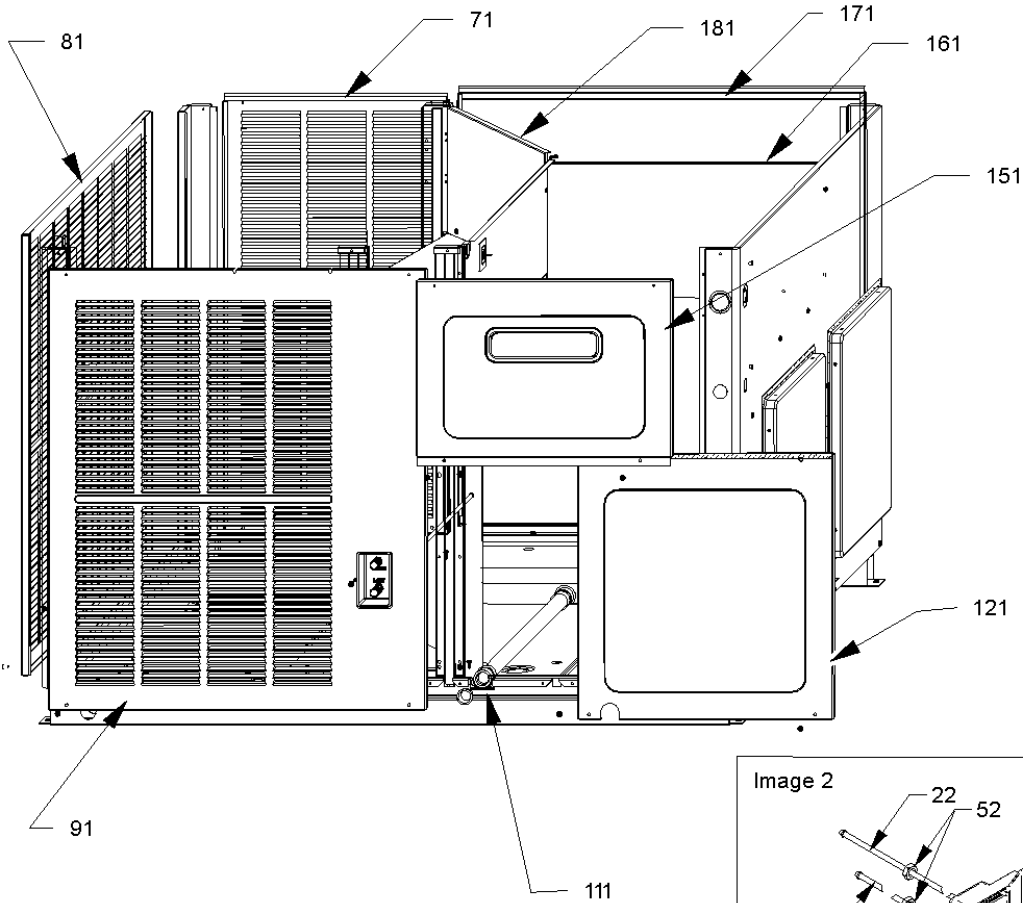
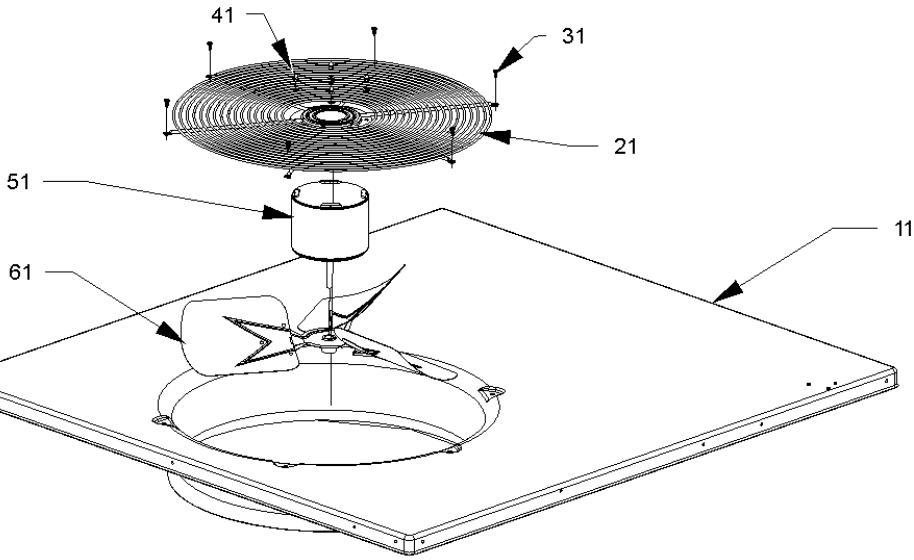
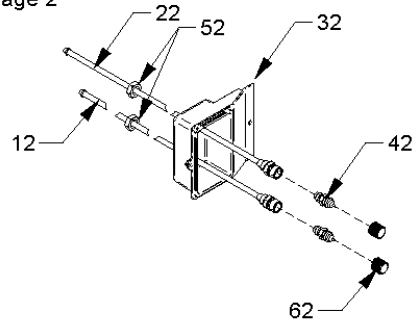


Image 2



Cabinet Assembly

Ref. Part No: No:	Description:	Ref. Part No: No:	Description:
-------------------	--------------	-------------------	--------------

Image 1:

11	0121G00156PDG	PNL, TOP, PNT
21	0152G00000	FAN GRILLE, RAISED
31	B1393530	SCREW HWH,10 X 1/2, A, YZD, SLOT, SR (M7, M8, M9, M10, M11, M12, M19, M20, M21, M22, M23, M24)
31	M0221817	SMALL SCREW (M1, M2, M3, M4, M5, M6, M13, M14, M15, M16, M17, M18)
41	0163M00006P	ACORN NUT 5/16 HEX BLACK (QTY 4)
51	0131M00061	COND MOTOR 1/4 HP, 1 SP, 8 PL (M1, M2, M3, M4, M5, M6, M13, M14, M15, M16, M17, M18)
51	0131M00430	COND MOTOR, 1/3 HP, 1 SP, 6 PL (M11, M12, M23, M24)
51	0131M00429	COND MOTOR, 1/4 HP, 1 SP, 6 PL (M7, M8, M9, M10, M19, M20, M21, M22)
61	0150M00011	FAN BLADE SWEEP-WING (M11, M23)
61	0150G00002	FAN BLADE-SWEPT WING (M1, M2, M3, M4, M5, M6, M7, M8, M9, M10, M12, M13, M14, M15, M16, M17, M18, M19, M20, M21, M22, M24)
71	20464401PLG	LOUVERED PANEL, COND SIDE 32" (M1, M2, M3, M4, M5, M6)
71	20467701PDG	LOUVERED PANEL, COND SIDE 32" (M13, M14, M15, M16, M17, M18)
71	20464402PDG	LOUVERED PANEL, COND SIDE 40" (M19, M20, M21, M22, M23, M24)
71	20464402PLG	LOUVERED PANEL, COND SIDE 40" (M7, M8, M9, M10, M11, M12)
81	20464401PDG	LOUVERED PANEL, COND SIDE 32" (M13, M14, M15, M16, M17, M18)
81	20467701PLG	LOUVERED PANEL, COND SIDE 32" (M1, M2, M3, M4, M5, M6)
81	20467702PDG	LOUVERED PANEL, COND SIDE 40" (M19, M20, M21, M22, M23, M24)
81	20467702PLG	LOUVERED PANEL, COND SIDE 40" (M7, M8, M9, M10, M11, M12)
91	0121G00146LG	LOUVERED PANEL 4 BANK 32.5", COMP SIDE (M1, M2, M3, M4, M5, M6)
91	0121G00146PDG	LOUVERED PANEL 4 BANK 32.5", COMP SIDE (M13, M14, M15, M16, M17, M18)
91	0121G00147LG	LOUVERED PANEL 4 BANK 40", COMP SIDE (M7, M9, M11)
91	0121G00147PDG	LOUVERED PANEL 4 BANK 40", COMP SIDE (M19, M21, M23)
91	0121G00224DG	SOLID PANEL COMPRESSOR 40" (M8, M10, M12, M20, M22, M24)
111	0261G00000	DRAIN PIPE
121	0121G00165PDG	PNL, BLO, CNVRT, 32.5", PNT (M1, M2, M3, M4, M5, M6, M13, M14, M15, M16, M17, M18)
121	0121G00168PDG	PNL, BLO, CNVRT, 40", PNT (M7, M8, M9, M10, M11, M12, M19, M20, M21, M22, M23, M24)
151	0121G00137	PL, LV BARRIER
161	0121G00219	EVAP BLOCK-OFF, TOP 32.5" (M1, M2, M3, M4, M5, M6, M13, M14, M15, M16, M17, M18)
161	0121G00220	EVAP BLOCK-OFF, TOP 40" (M7, M8, M9, M10, M11, M12, M19, M20, M21, M22, M23, M24)
171	20464801PDG	BLOWER DOOR 32" (M1, M2, M3, M4, M5, M6, M13, M14, M15, M16, M17, M18)
171	20464806PDG	BLOWER DOOR 40" (M7, M8, M9, M10, M11, M12, M19, M20, M21, M22, M23, M24)
181	0221G00013P	ASSY, SHRD, FAN
NS	0121G00235	FAN BAFFLE
NS	1778800083F	PVC CONDUIT 8.25"

Image 2:

12	0210G00031P	PROCESS TUBE ASSY-SUCTION
22	0210G00391	LIQUID PROCESS TUBE ASSY (M7, M8, M9, M10, M11, M12, M19, M20, M21, M22, M23, M24)
22	0210G00481	PROCESS TUBE ASSY (M1, M2, M3, M4, M5, M6, M13, M14, M15, M16, M17, M18)

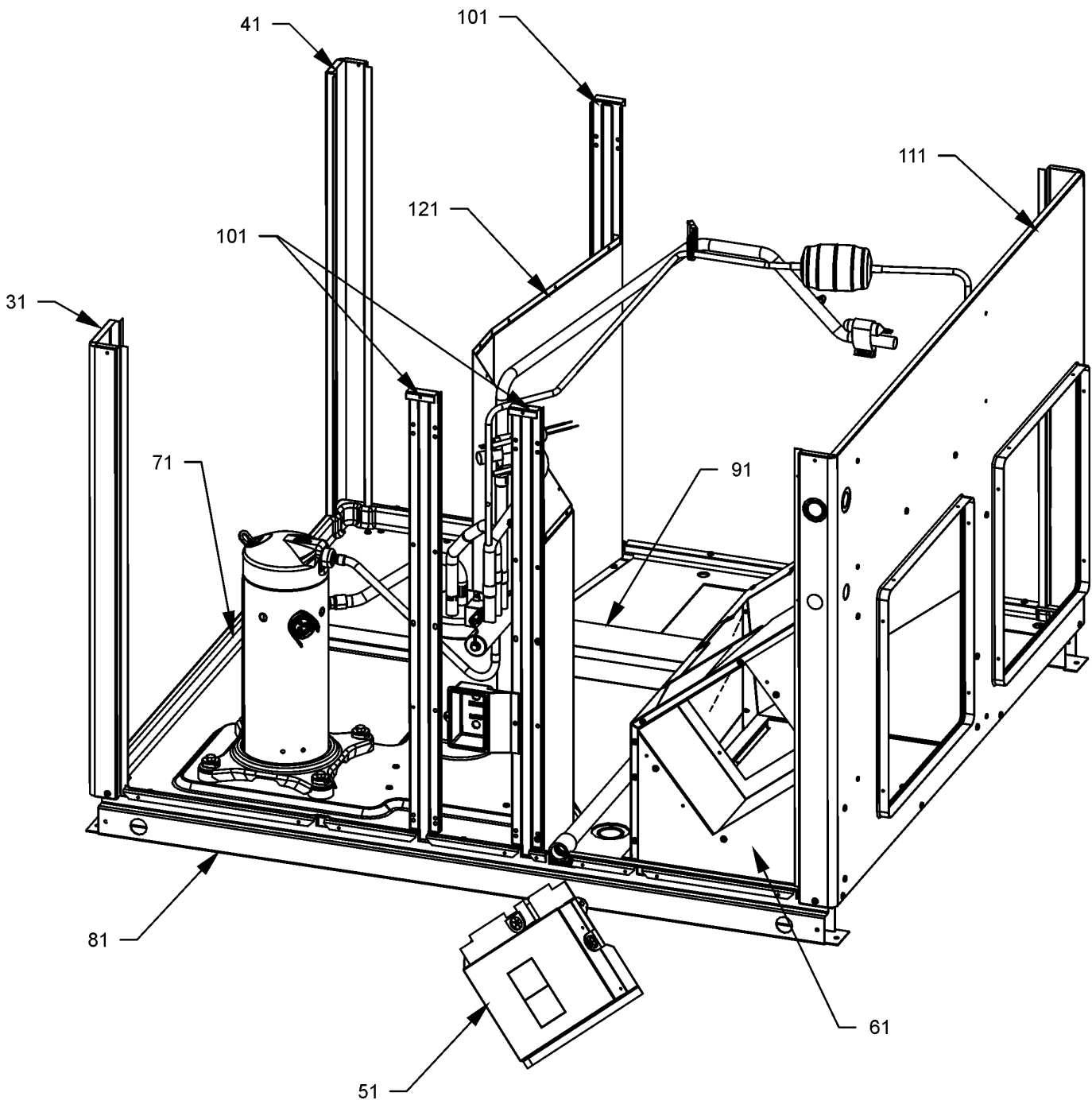
Image 2:

32	0161G00008	ACCESS-FITTING BOX
42	B1373315	ACCESS FITTING (QTY 2)
52	0163G00000P	FASTEST FITTING NUT (QTY 2)
62	0163M00175	CAP WITH O-RING (QTY 2)

Expanded Model Nomenclature

M1 - APH1524M41BA
M2 - APH1524M41CA
M3 - APH1530M41BA
M4 - APH1530M41CA
M5 - APH1536M41BA
M6 - APH1536M41CA
M7 - APH1543M41BA
M8 - APH1543M41CA
M9 - APH1549M41BA
M10 - APH1549M41CA
M11 - APH1560M41BA
M12 - APH1560M41CA
M13 - GPH1524M41BA
M14 - GPH1524M41CA
M15 - GPH1530M41BA
M16 - GPH1530M41CA
M17 - GPH1536M41BA
M18 - GPH1536M41CA
M19 - GPH1543M41BA
M20 - GPH1543M41CA
M21 - GPH1549M41BA
M22 - GPH1549M41CA
M23 - GPH1560M41BA
M24 - GPH1560M41CA

Panels and Supports



Panels and Supports

Ref. Part No:	Ref. Part No:	Description:	Description:
<i>Image 1:</i>			
31	20464201PDG	CORNER POST-COMP END 32" (M1, M2, M3, M4, M5, M6, M13, M14, M15, M16, M17, M18)	
31	20464202PDG	CORNER POST-COMP END 40" (M7, M8, M9, M10, M11, M12, M19, M20, M21, M22, M23, M24)	
41	20464301PDG	CORNER POST-HAIRPIN END 32" (M1, M2, M3, M4, M5, M6, M13, M14, M15, M16, M17, M18)	
41	20464302PDG	CORNER POST-HAIRPIN END 40" (M7, M8, M9, M10, M11, M12, M19, M20, M21, M22, M23, M24)	
51	0121G00528	COVER, HK (QTY 2)	
61	0221G00014	BLOWER TRANSITION ASSY	
71	0121G00290	BASE PAN RAIL (QTY 2)	
81	0121G00444	BASEPAN, PACKAGE	
91	0161G00003	PLASTIC DRIP PAN	
101	0121G00460	POST-SUPPORT, SIDE (M1, M2, M3, M4, M5, M6, M13, M14, M15, M16, M17, M18)	
101	0121G00462	POST-SUPPORT, SIDE (M7, M8, M9, M10, M11, M12, M19, M20, M21, M22, M23, M24)	
111	0121G00440	PNL, DUCT, CNVRT 32.5" (M1, M2, M3, M4, M5, M6, M13, M14, M15, M16, M17, M18)	
111	0121G00441	PNL, DUCT, CNVRT 40" (M7, M8, M9, M10, M11, M12, M19, M20, M21, M22, M23, M24)	
121	0121G00510	PARTITION, 32.5" (M1, M2, M3, M4, M5, M6, M13, M14, M15, M16, M17, M18)	
121	0121G00511	PARTITION, 40" (M7, M9, M11, M19, M21, M23)	
121	0121G00549	PARTITION, 40" (M8, M10, M12, M20, M22, M24)	
NS	0121G00158	EVAP BLOCK-OFF 32.5" (M1, M2, M3, M4, M5, M6, M13, M14, M15, M16, M17, M18)	
NS	0121G00159	EVAP BLOCK-OFF 40" (M7, M8, M9, M10, M11, M12, M19, M20, M21, M22, M23, M24)	

Expanded Model Nomenclature

M1 - APH1524M41BA
M2 - APH1524M41CA
M3 - APH1530M41BA
M4 - APH1530M41CA
M5 - APH1536M41BA
M6 - APH1536M41CA
M7 - APH1543M41BA
M8 - APH1543M41CA
M9 - APH1549M41BA
M10 - APH1549M41CA
M11 - APH1560M41BA
M12 - APH1560M41CA
M13 - GPH1524M41BA
M14 - GPH1524M41CA
M15 - GPH1530M41BA
M16 - GPH1530M41CA
M17 - GPH1536M41BA
M18 - GPH1536M41CA
M19 - GPH1543M41BA
M20 - GPH1543M41CA
M21 - GPH1549M41BA
M22 - GPH1549M41CA
M23 - GPH1560M41BA
M24 - GPH1560M41CA

Tubing / Coil Assemblies

Image 1

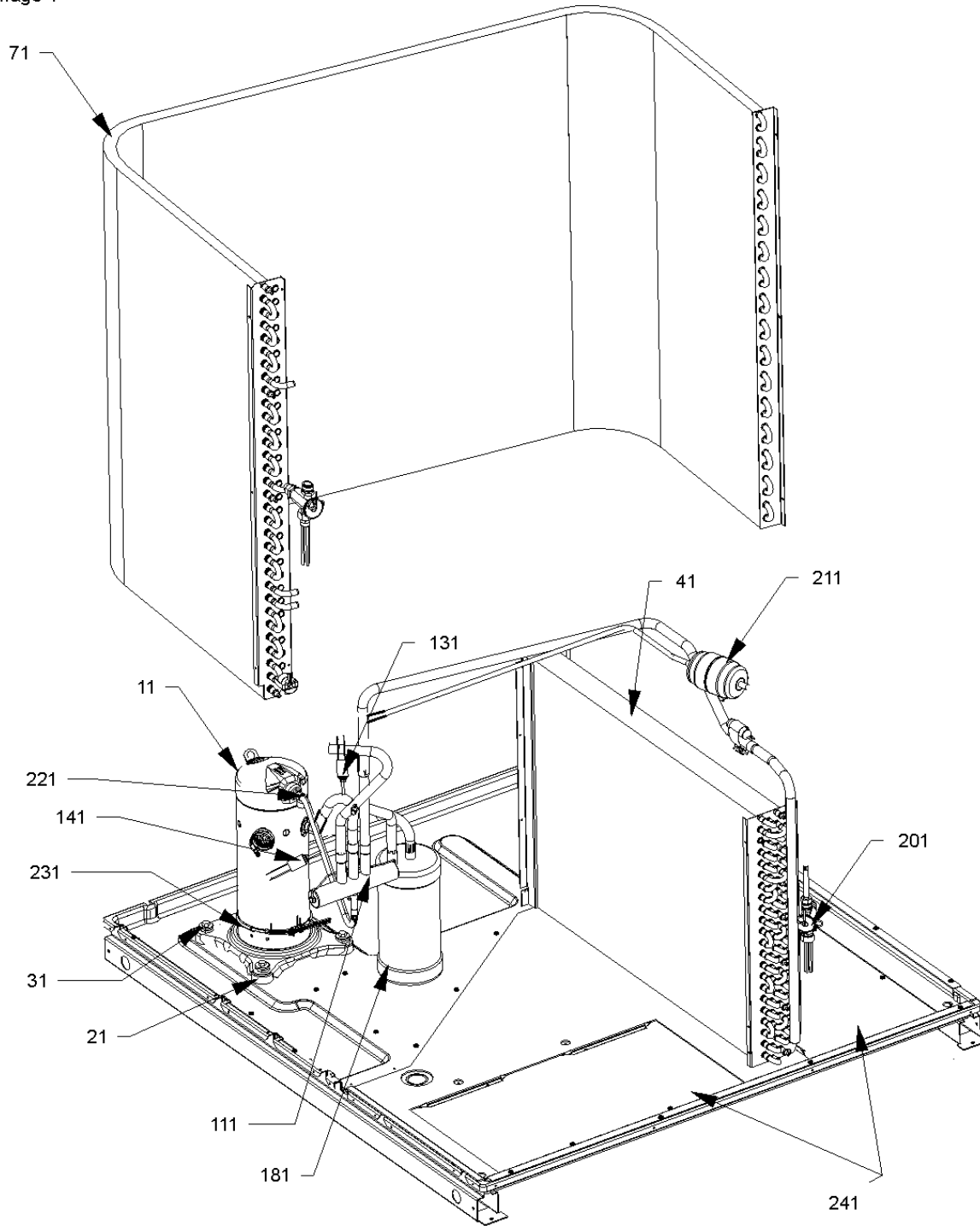
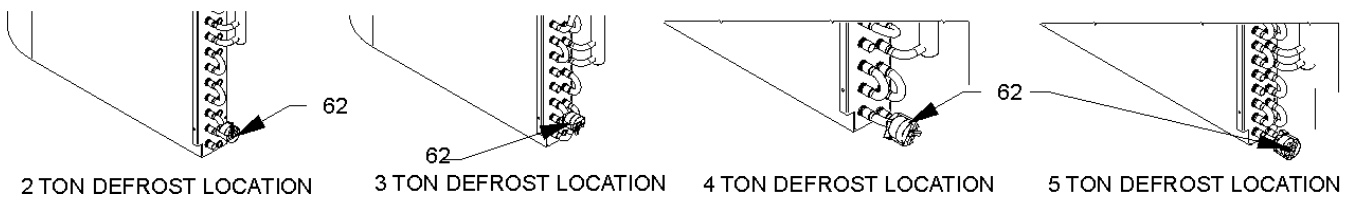


Image 2



Tubing / Coil Assemblies

Ref. Part No:	No:	Description:
<i>Image 1:</i>		
11	ZPS51K5EPFV130	COMP, 51900/208/230/60/1 (M11, M12, M23, M24)
11	ZP34K5EPFV130	COMP,34500,208/230/60/1 (M7, M8, M19, M20)
11	ZPS40K5EPFV130	COMP,41100,208/230/60/1 (M9, M10, M21, M22)
11	ZP21K5EPFV130	COMPRESSOR 21300, 208/230/60/1 (M1, M2, M13, M14)
11	ZP25K5EPFV130	COMPRESSOR 25200, 208/230/60/1 (M3, M4, M15, M16)
11	ZP31K5EPFV130	COMPRESSOR 31100, 208/230/60/1 (M5, M6, M17, M18)
21	B1339533	COMPRESSOR GROMMET (QTY 4)
31	M0221641	TF SHOULDER SCREW (QTY 4)
41	0202G00110	TUBING ASSY, EVAP COIL (M1, M3, M13, M15)
41	0202G00111	TUBING ASSY, EVAP COIL (M5, M17)
41	0202G00317	TUBING ASSY, EVAP COIL (M7, M19)
41	0202G00321	TUBING ASSY, EVAP COIL (M9, M11, M21, M23)
41	0202G00408	TUBING ASSY, EVAP COIL (M2, M4, M14, M16)
41	0202G00409	TUBING ASSY, EVAP COIL (M6, M18)
41	0202G00410	TUBING ASSY, EVAP COIL (M8, M20)
41	0202G00411	TUBING ASSY, EVAP COIL (M10, M12, M22, M24)
71	0201G00276	TUBING ASSY, COND COIL (M1, M3, M13, M15)
71	0201G00316	TUBING ASSY, COND COIL (M10, M12, M22, M24)
71	0201G00317	TUBING ASSY, COND COIL (M2, M4)
71	0201G00318	TUBING ASSY, COND COIL (M14, M16)
71	0201G00319	TUBING ASSY, COND COIL (M8, M20)
71	0201G00098	TUBING ASSY, COND COIL 32" (M5, M6, M17, M18)
71	0201G00083	TUBING ASSY, COND COIL 40" (M7, M9, M11, M19, M21, M23)
111	0151M00019	REVERSING VALVE (M1, M2, M3, M4, M13, M14, M15, M16)
111	0151M00021	REVERSING VALVE (M5, M6, M7, M8, M9, M10, M11, M12, M17, M18, M19, M20, M21, M22, M23, M24)
131	0130M00074	HIGH PRESSURE SWITCH
141	0130M00075	LOW PRESSURE SWITCH
181	B1226206	ACCUMULATOR (M1, M2, M3, M4, M13, M14, M15, M16)
181	B1226207	ACCUMULATOR .875 (M5, M6, M7, M8, M9, M10, M11, M12, M17, M18, M19, M20, M21, M22, M23, M24)
201	0151G00003	VALVE, TXV R-410A (M1, M2, M3, M4, M13, M14, M15, M16)
201	0151M00029	VALVE-TXV (M5, M6, M17, M18)
201	0151M00030	VALVE-TXV (M9, M10, M11, M12, M21, M22, M23, M24)
211	20485201	BI-FLOW FILTER DRIER (M1, M2, M3, M4, M5, M6, M7, M9, M11, M13, M14, M15, M16, M17, M18, M19, M21, M23)
221	0230G00005	CRANKCASE HEATER SWITCH (M5, M6, M7, M8, M9, M10, M11, M12, M17, M18, M19, M20, M21, M22, M23, M24)
231	0130L00017	CRANK CASE HEATER-70W 240V (M11, M12, M23, M24)
231	0163R00003	HEATER, CRANKCASE 230V 40W (M7, M8, M9, M10, M19, M20, M21, M22)
231	0163R00002	HEATER, CRANKCASE 230V, 40W (M5, M6, M17, M18)
241	0121G00148	SINGLE COVER, DOWN DISCHARGE (QTY 2)
NS	0160M00004	BLANKET, COMPRESSOR (M1, M2, M3, M4, M5, M6)
NS	0160M00005	BLANKET, COMPRESSOR (M7, M8, M9, M10, M11, M12)
NS	0159G00002	COMPRESSOR SCROLL HARNESS (M1, M2, M3, M4, M5, M6, M13, M14, M15, M16, M17, M18)
NS	0159G00004	COMPRESSOR SCROLL HARNESS (M8, M9, M10, M11, M12, M20, M21, M22, M23, M24)

Ref. Part No:	No:	Description:
<i>Image 1:</i>		
NS	0159R00003P	COMPRESSOR SCROLL HARNESS (M7, M19)
NS	B1225022	SOLENOID COIL

<i>Image 2:</i>		
62	0130M00102	CONTROL, DEFROST

Expanded Model Nomenclature

M1 - APH1524M41BA
M2 - APH1524M41CA
M3 - APH1530M41BA
M4 - APH1530M41CA
M5 - APH1536M41BA
M6 - APH1536M41CA
M7 - APH1543M41BA
M8 - APH1543M41CA
M9 - APH1549M41BA
M10 - APH1549M41CA
M11 - APH1560M41BA
M12 - APH1560M41CA
M13 - GPH1524M41BA
M14 - GPH1524M41CA
M15 - GPH1530M41BA
M16 - GPH1530M41CA
M17 - GPH1536M41BA
M18 - GPH1536M41CA
M19 - GPH1543M41BA
M20 - GPH1543M41CA
M21 - GPH1549M41BA
M22 - GPH1549M41CA
M23 - GPH1560M41BA
M24 - GPH1560M41CA

Control Panel / Blower Assembly

Image 1

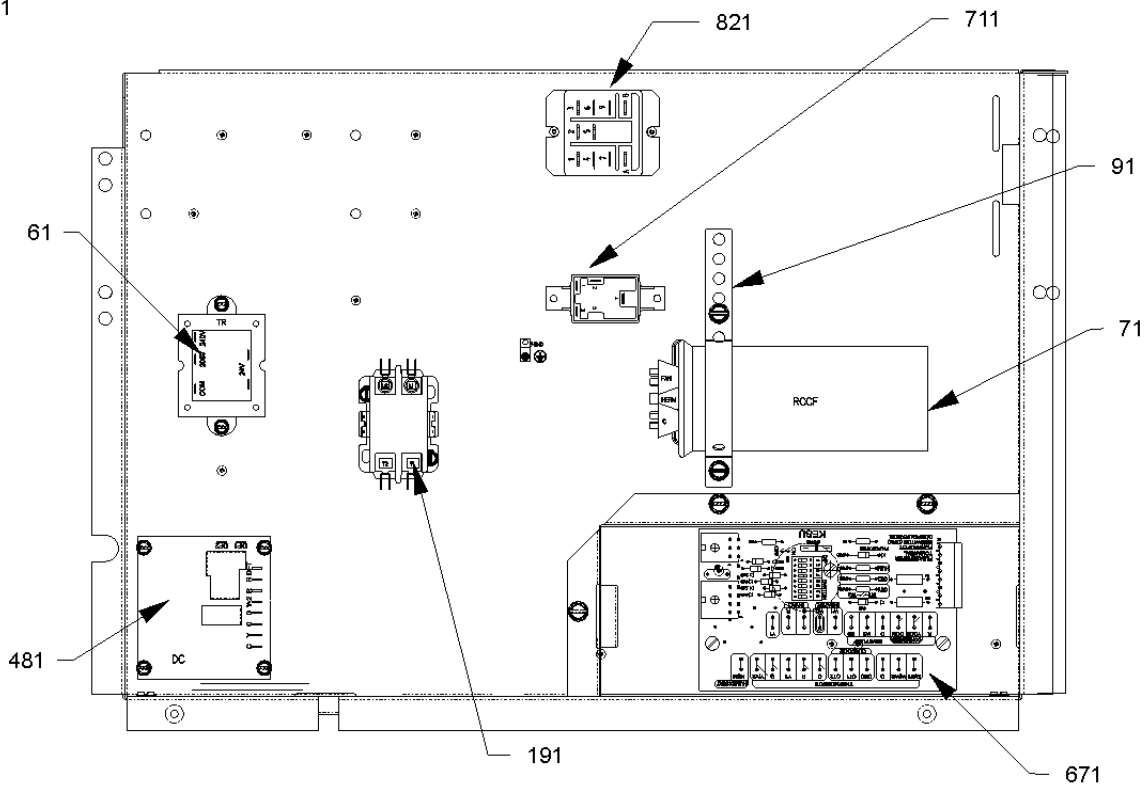
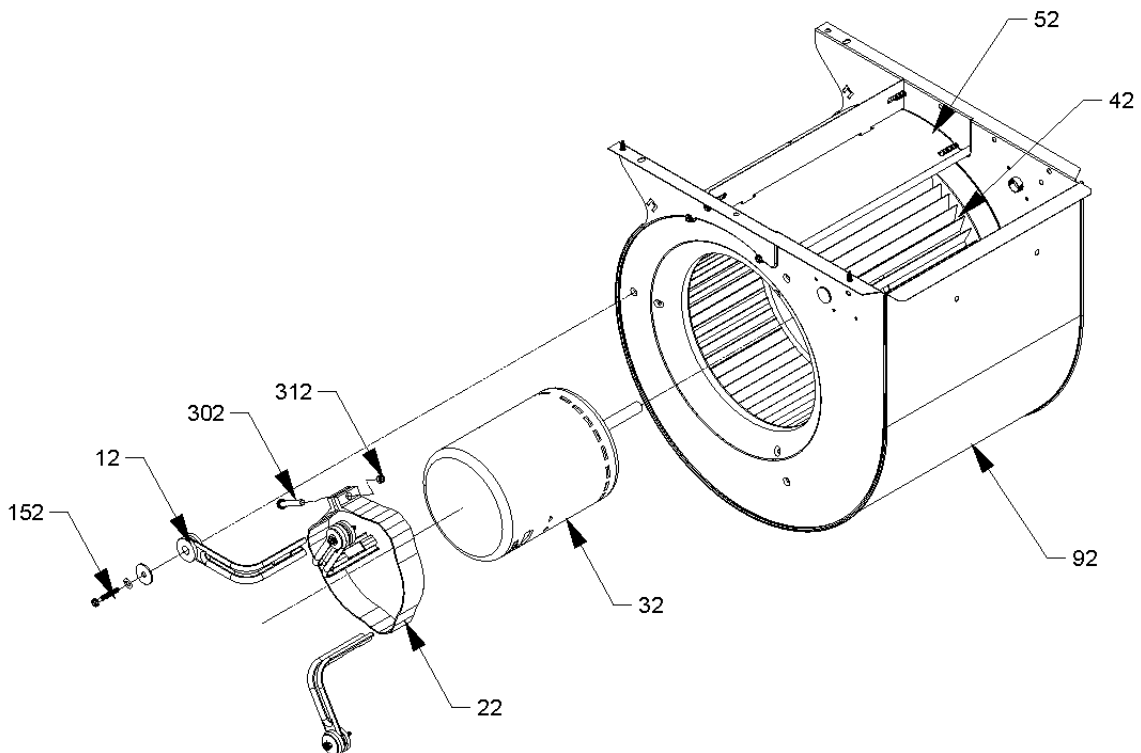


Image 2



Control Panel / Blower Assembly

Ref. Part

No: No: Description:

Ref. Part

No: No: Description:

Image 1:

61	0130M00138	TRANSFORMER, 208/230, 24V
71	CAP100400440CT	CAP, 10/40 MFD, 440V/ DUAL RD (M11, M12, M23, M24)
71	CAP050400440CT	CAP, 5/40 MFD/440V/DUAL RD (M1, M2, M3, M4, M13, M14, M15, M16)
71	CAP050450440CT	CAP, 5/45 MFD/440V/DUAL RD (M5, M6, M7, M8, M17, M18, M19, M20)
71	CAP050300440RS	CAPACITOR 5/30/440V (M9, M10, M21, M22)
91	20520901	CAPACITOR STRAP
191	CONT1P025024V	CONTACTOR 25 AMP, 1P, 24V (M1, M2, M3, M4, M5, M6, M13, M14, M15, M16, M17, M18)
191	CONT1P030024V	CONTACTOR 30 AMP, 1P, 24V (M7, M8, M19, M20)
191	CONT2P040024V	CONTACTOR 40 AMP, 2P, 24V (M9, M10, M11, M12, M21, M22, M23, M24)
481	PCBDM133	DEFROST CONTROL BOARD
671	PCBEM102	PCB, ECM PRIMARY, VSTB (M1, M2, M3, M4, M5, M6, M7, M8, M9, M10, M11, M12)
711	0130M00025	24V RELAY (M9, M10, M11, M12, M21, M22, M23, M24)
821	BT1256505	RELAY, WCK (M21, M22, M23, M24)
NS	0259G00070	WIRE HARNESS, ELECTRIC HEAT (M13, M14, M15, M16, M17, M18, M19, M20, M21, M22, M23, M24)
NS	0259G00071	WIRE HARNESS, ELECTRIC HEAT (M1, M2, M3, M4, M5, M6, M7, M8, M9, M10, M11, M12)
NS	B1378701	WIRE HARNESS, HIGH VOLTAGE (5-PIN ECM) (M1, M2, M3, M4, M5, M6, M7, M8, M9, M10, M11, M12)
NS	B1378700	WIRE HARNESS, LOW VOLTAGE (16-PIN ECM) (M1, M2, M3, M4, M5, M6, M7, M8, M9, M10, M11, M12)

Image 2:

12	B1376857	MOTOR MOUNT ARM (QTY 3)
22	0121M00038	MOTOR MOUNT BAND
32	0231K00067	BLOWER MOTOR 1 HP PROGRAMMED ECM (M11, M12)
32	0231K00070	BLOWER MOTOR 1/2 HP PROGRAMMED ECM (M1, M2, M3, M4, M5, M6)
32	0231K00066	BLOWER MOTOR 3/4 HP PROGRAMMED ECM (M7, M8, M9, M10)
32	0131M00461	PROGRAMMED MOTOR (M23)
32	0131M00462	PROGRAMMED MOTOR (M17, M18)
32	0131M00463	PROGRAMMED MOTOR (M19, M20)
32	0131M00464	PROGRAMMED MOTOR (M21)
32	0131M00465	PROGRAMMED MOTOR (M13)
32	0131M00466	PROGRAMMED MOTOR (M15)
32	0131M00616	PROGRAMMED MOTOR (M14)
32	0131M00619	PROGRAMMED MOTOR (M16)
32	0131M00622	PROGRAMMED MOTOR (M22)
32	0131M00625	PROGRAMMED MOTOR (M24)
42	D6723303S	BLOWER WHEEL
52	764742	BLOWER BLOCK-OFF
92	0271G00024	BLOWER HOUSING ASSY 10 X 9
152	M0250565	TC SCREW 1.25" (QTY 5)
302	B1393323	MACHINE SCREW HWH 1/4-20 X 1-1/2 BZ
312	B1393800	LOCKNUT, NYLON, INSERT 1/4, 20

Expanded Model Nomenclature

M1 - APH1524M41BA
M2 - APH1524M41CA
M3 - APH1530M41BA
M4 - APH1530M41CA
M5 - APH1536M41BA
M6 - APH1536M41CA
M7 - APH1543M41BA
M8 - APH1543M41CA
M9 - APH1549M41BA
M10 - APH1549M41CA
M11 - APH1560M41BA
M12 - APH1560M41CA
M13 - GPH1524M41BA
M14 - GPH1524M41CA
M15 - GPH1530M41BA
M16 - GPH1530M41CA
M17 - GPH1536M41BA
M18 - GPH1536M41CA
M19 - GPH1543M41BA
M20 - GPH1543M41CA
M21 - GPH1549M41BA
M22 - GPH1549M41CA
M23 - GPH1560M41BA
M24 - GPH1560M41CA