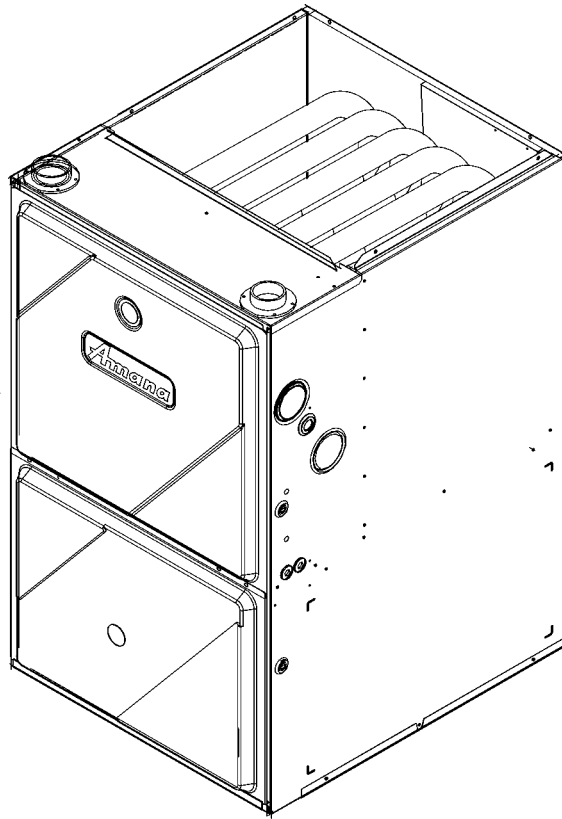


## AMH95 Amana® brand 95% Hybrid Furnace

AMH950453BXAA  
AMH950703BXAA  
AMH950704CXAA  
AMH950904CXAA  
AMH950905DXAA  
AMH951155DXAA



# Important Information

---

## Index

Functional Parts List .....	3
Illustration and Parts .....	4 - 13

*Views shown are for parts illustrations only, not servicing procedures*

### Text Codes:

AR - As Required

NA - Not Available

NS - Not Shown

00000000 - See Note

QTY - Quantity Example (QTY 3) (If Quantity not shown, Quantity = 1)

M - Model Example (M1) (If M Code not shown, then part is used on all Models)

### Expanded Model Nomenclature:

Example M1 - Model#1 M2 - Model#2 M3 - Model#3
---

Goodman Company, L.P. is not responsible for personal injury or property damage resulting from improper service. Review all service information before beginning repairs.

Warranty service must be performed by an authorized technician, using authorized factory parts. If service is required after the warranty expires, Goodman Company, L.P. also recommends contacting an authorized technician and using authorized factory parts.

Goodman Company, L.P. reserves the right to discontinue, or change at any time, specifications or designs without notice or without incurring obligations. Amana® brand products are proudly made in the USA.

For assistance within the U.S.A. contact:

Consumer Affairs Department  
Goodman Company, L.P.  
7401 Security Way  
Houston, Texas 77040  
877-254-4729-Telephone  
713-863-2382-Facsimile

For assistance outside the U.S.A. contact:

International Division  
Goodman Company, L.P.  
7401 Security Way  
Houston, Texas 77040  
713-861-2500-Telephone  
713-863-2382-Facsimile

# Functional Parts

## Part

## No: Description:

### Expanded Model Nomenclature

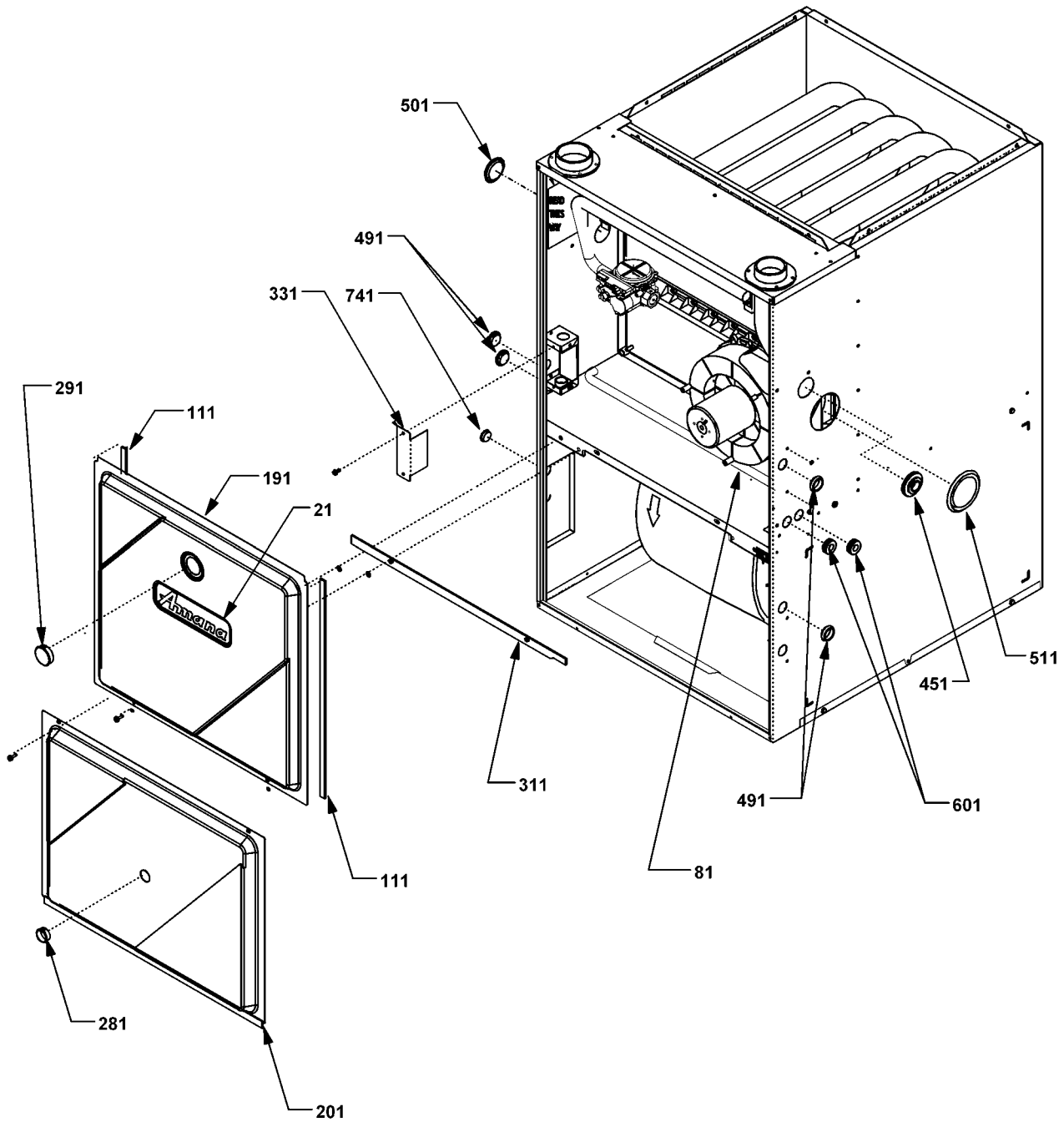
0257F00026PS	ASSY-HEAT EXCHANGER 2B (M1)
0257F00055S	ASSY-HEAT EXCHANGER 3B (M3)
0257F00048PS	ASSY-HEAT EXCHANGER 3B (M2)
20317359	ASSY-HEAT EXCHANGER 4B (M5)
0257F00049P	ASSY-HEAT EXCHANGER 4B (M4)
20317360	ASSY-HEAT EXCHANGER 5B (M6)
10735102S	BECKETT BURNER (QTY AR)
D6879757	CAPACITOR (M3, M4)
B945672	CAPACITOR (M1, M2)
D6879748	CAPACITOR (M5, M6)
20488501	FLAME SENSOR
0151F00000P	GAS VALVE
22307501S	ID BLOWER
0130F00008	IGNITOR-SINI 17 SEC
0130F00006	INTEGRATED CONTROL
20162904	LIMIT (M1, M4)
20162903	LIMIT (M2, M3, M5)
20162906	LIMIT (M6)
10123535	LIMIT-RESET MANUAL (M1, M2, M3, M4, M5)
10123519	LIMIT-RESET MANUAL (M6)
10123533	LIMIT-RESET MANUAL
20196401	MANIFOLD (M1)
20196404	MANIFOLD (M6)
20196402	MANIFOLD (M2, M3)
20196403	MANIFOLD (M4, M5)
B1340024S	MOTOR, DIRECT DRIVE 1/2 HP (M3, M4)
B1340025S	MOTOR, DIRECT DRIVE 1/3 HP (M1, M2)
10759415	MOTOR-BLOWER 3/4 HP (M5, M6)
0130F00000P	SWITCH-PRESSURE (M1, M3, M5, M6)
0130F00002P	SWITCH-PRESSURE (M2)
20197310	SWITCH-PRESSURE (M4, M6)
20197312	SWITCH-PRESSURE (M1, M2, M3, M5)
0130F00001P	SWITCH-PRESSURE (M4)
B1141605	TRANSFORMER, 120V TO 24V, 40VA
0159F00002	WIRING HARNESS

M1 - AMH950453BXAA
M2 - AMH950703BXAA
M3 - AMH950704CXAA
M4 - AMH950904CXAA
M5 - AMH950905DXAA
M6 - AMH951155DXAA

### SPECIAL PARTS

B2810816	2" MESH INSERT
B2810814	3" MESH INSERT
PM-ATAXCRDT150	AMANA TAX CREDIT 150
HI-115	HOMEOWNER INSTRUCTIONS
IO-276B	INSTALLATION INSTRUCTIONS
IO-661	INSTALLATION INSTRUCTIONS
22323501	INSTALLATION-HUMIDIFIER
0161M00003P	NAMEPLATE
RP-409	REPAIR PARTS MANUAL
10195517Q	STANDPIPE BAG ASSY

# Cabinet



# Cabinet

Ref. Part No: No:	Description:	Ref. Part No: No:	Description:
-------------------	--------------	-------------------	--------------

Image 1:

21	0161M00003P	NAMEPLATE
81	20201902	HOSE-DRAIN
111	20179308	GASKET (QTY 2)
191	20273108	DOOR-ACCESS (M1, M2)
191	20273110	DOOR-ACCESS (M3, M4)
191	20273112	DOOR-ACCESS (M5, M6)
201	20177308	DOOR-BLOWER (M1, M2)
201	20177310	DOOR-BLOWER (M3, M4)
201	20177312	DOOR-BLOWER (M5, M6)
281	B1392139	VIEW PORT BUSHING - BLOWER DOOR
291	11104002	VIEW PORT BUSHING - ACCESS DOOR
311	22320001	GASKET-DECK (M1, M2)
311	22320002	GASKET-DECK (M3, M4)
311	22320003	GASKET-DECK (M5, M6)
331	10736201	COVER-HIGH VOLTAGE BOX
451	M0501301	PIPE GROMMET
491	M0570808	PLUG-BUTTON (QTY 4)
501	M0570806	PLUG-BUTTON
511	M0570807	PLUG-BUTTON
601	A4691701	GROMMET (QTY 2)
741	B1392104	UNIVERSAL BUSHING (QTY 2)

Expanded Model Nomenclature

M1 - AMH950453BXAA
M2 - AMH950703BXAA
M3 - AMH950704CXAA
M4 - AMH950904CXAA
M5 - AMH950905DXAA
M6 - AMH951155DXAA

# Blower Assembly

Image 1

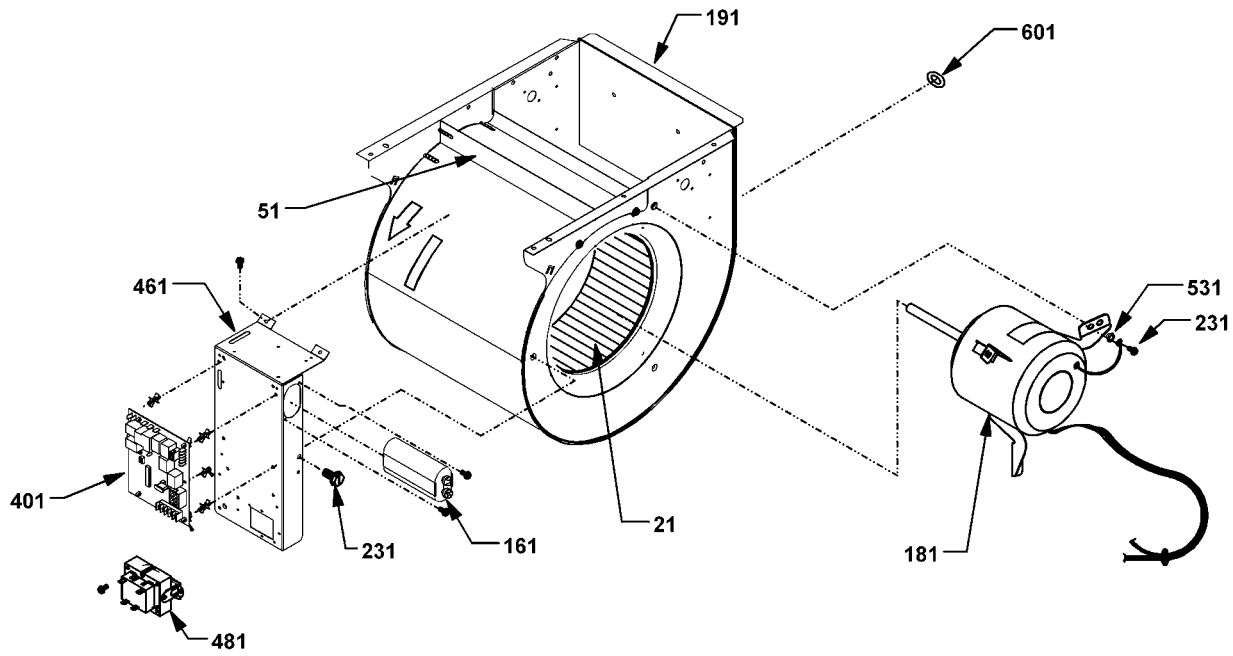
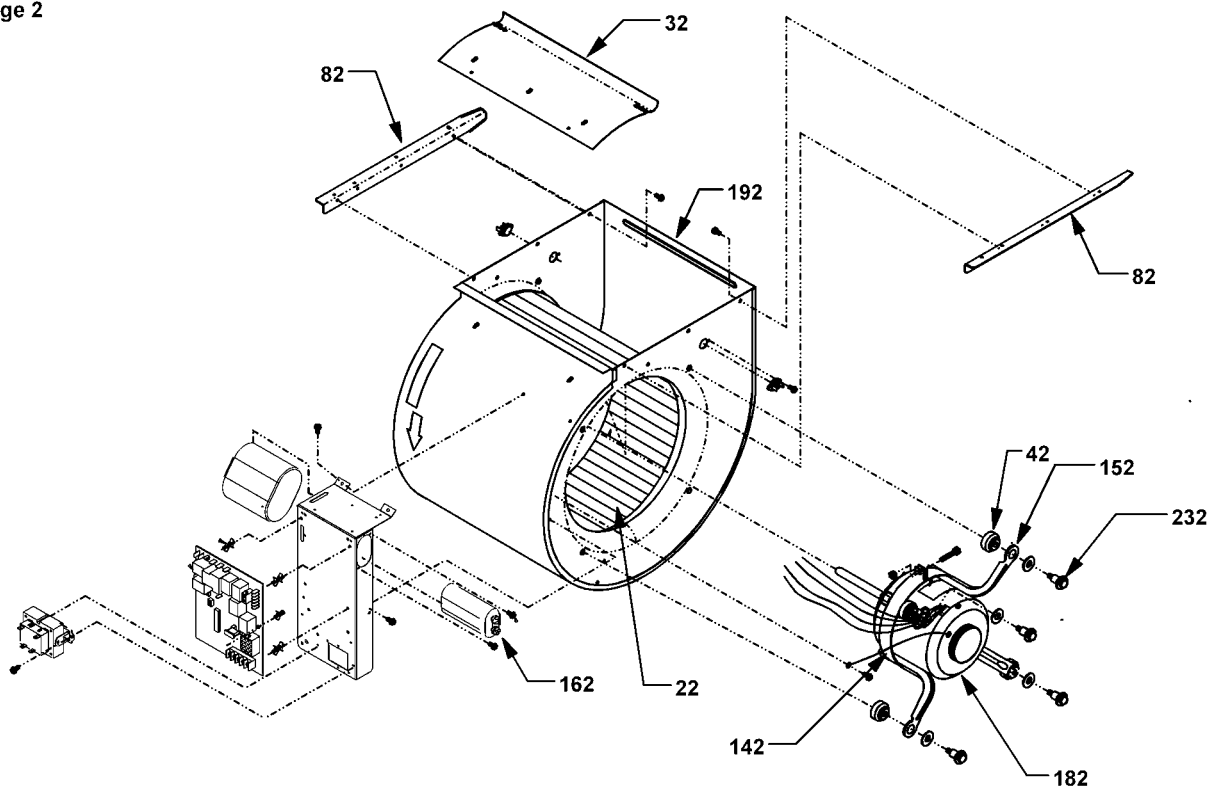


Image 2



# Blower Assembly

Ref. Part No: No:	Description:	Ref. Part No: No:	Description:
-------------------	--------------	-------------------	--------------

*Image 1:*

21	B1368047A	BLOWER WHEEL 10 X 10 (M3, M4)
21	B1368058S	BLOWER WHEEL 10 X 8 (M1, M2)
51	764741F	BLOWER BLK-OFF 10 X 10 (M3, M4)
51	764740F	BLOWER BLK-OFF 10 X 8 (M1, M2)
161	B945672	CAPACITOR (M1, M2)
161	D6879757	CAPACITOR (M3, M4)
181	B1340024S	MOTOR, DIRECT DRIVE 1/2 HP (M3, M4)
181	B1340025S	MOTOR, DIRECT DRIVE 1/3 HP (M1, M2)
191	0271F00003P	BLOWER HOUSING ASSY 10 X 10 (M3, M4)
191	0271F00000P	BLOWER HOUSING ASSY 10 X 8 (M1, M2)
231	M0250558	SCREW-TC (M1, M2, M3, M4)
401	0130F00006	INTEGRATED CONTROL
461	0121F00025P	BRACKET-CONTROL
481	B1141605	TRANSFORMER, 120V TO 24V, 40VA
531	B1392143	GROMMET, 26TAL F/TORSIN FLEX (M1, M2, M3, M4)
601	A4691701	GROMMET (QTY 2)

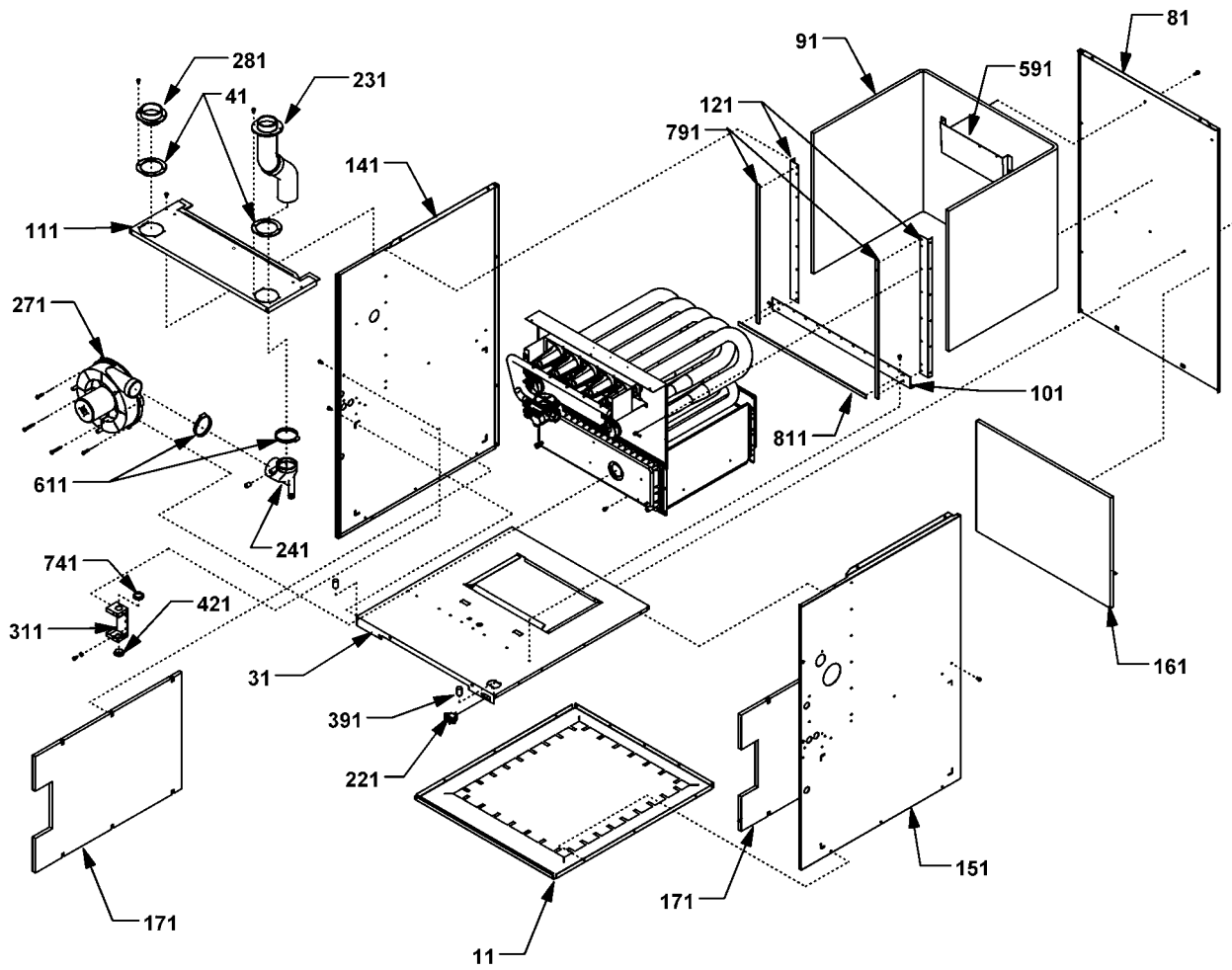
*Image 2:*

22	D6723311	BLOWER WHEEL 11 x 11 (M5, M6)
32	C6121807	CUT-OFF (M5, M6)
42	A4002701	GROMMET (M5, M6)
82	20175101	RAIL-BLOWER SIDE (M5, M6)
142	10441601	MOTOR MOUNT-BAND (M5, M6)
152	10441501	MOTOR MOUNT-ARM (M5, M6)
162	D6879748	CAPACITOR (M5, M6)
182	10759415	MOTOR-BLOWER 3/4 HP (M5, M6)
192	0271F00048	BLOWER HOUSING ASSY 11 X 10 (M5, M6)
232	M0221461	SCREW-TC (M5, M6)

Expanded Model Nomenclature

M1 - AMH950453BXAA
M2 - AMH950703BXAA
M3 - AMH950704CXAA
M4 - AMH950904CXAA
M5 - AMH950905DXAA
M6 - AMH951155DXAA

# Chassis





# Chassis

Ref. Part No:	No:	Description:	Ref. Part No:	No:	Description:						
<i>Image 1:</i>			NS	10861101	BRACKET-AUX LIMIT						
11	0121F00050DG	BASEPAN (M1, M2)	NS	0164M00005	HOSE-PRESSURE SWITCH (M1, M2)						
11	0121F00051DG	BASEPAN (M3, M4)	NS	22323705	HOSE-PRESSURE SWITCH						
11	0121F00052DG	BASEPAN (M5, M6)	NS	22323711	HOSE-PRESSURE SWITCH (M3, M4)						
31	0121F00043	DECK-BLOWER (M1, M2)	NS	22323713	HOSE-PRESSURE SWITCH (M5, M6)						
31	0121F00045	DECK-BLOWER (M3, M4)	NS	0159F00002	WIRING HARNESS						
31	0121F00048	DECK-BLOWER (M5, M6)	Expanded Model Nomenclature								
41	20179307	GASKET-COIL (M5, M6)	<table border="1"> <tr><td>M1 - AMH950453BXAA</td></tr> <tr><td>M2 - AMH950703BXAA</td></tr> <tr><td>M3 - AMH950704CXAA</td></tr> <tr><td>M4 - AMH950904CXAA</td></tr> <tr><td>M5 - AMH950905DXAA</td></tr> <tr><td>M6 - AMH951155DXAA</td></tr> </table>			M1 - AMH950453BXAA	M2 - AMH950703BXAA	M3 - AMH950704CXAA	M4 - AMH950904CXAA	M5 - AMH950905DXAA	M6 - AMH951155DXAA
M1 - AMH950453BXAA											
M2 - AMH950703BXAA											
M3 - AMH950704CXAA											
M4 - AMH950904CXAA											
M5 - AMH950905DXAA											
M6 - AMH951155DXAA											
41	20179309	GASKET-COIL (M1, M2)									
41	20179310	GASKET-COIL (M3, M4)									
81	20273208	PANEL-BACK (M1, M2)									
81	20273210	PANEL-BACK (M3, M4)									
81	20273212	PANEL-BACK (M5, M6)									
91	C6415909	INSULATION-HEAT EXCHANGER (M5, M6)									
91	C6415910	INSULATION-HEAT EXCHANGER (M1, M2)									
91	C6415911	INSULATION-HEAT EXCHANGER (M3, M4)									
101	0121F00018P	RAIL-DECK (M1, M2)									
101	0121F00019P	RAIL-DECK (M3, M4)									
101	20191303	RAIL-DECK (M5, M6)									
111	0270F00001PS	ASSY-TOP COVER (M3, M4)									
111	0270F00100P	ASSY-TOP COVER (M1, M2)									
111	0270F00102P	ASSY-TOP COVER (M5, M6)									
121	20191602	RAIL-SIDE (M1, M2)									
121	20191603	RAIL-SIDE (M3, M4)									
121	20191604	RAIL-SIDE (M5, M6)									
141	0121F00035PDG	PANEL-SIDE LH									
151	0121F00033PDG	PANEL-SIDE RH									
161	20006601	INSULATION (M1, M2)									
161	20006602	INSULATION (M3, M4)									
161	20006603	INSULATION (M5, M6)									
171	20243503	INSULATION-SIDE (QTY 2)									
221	B1370818	SWITCH-INTERLOCK									
231	22309501	FLUE PIPE									
241	20171802	ELBOW									
271	22307501S	ID BLOWER									
281	20049701	COUPLING-FA									
311	10736102	BOX-HIGH VOLTAGE									
391	M0275521	SEALER-PLASTIC									
421	A4554801	BUSHING-SNAP									
591	11165107	SHIELD ID BLOWER									
611	A3326002	CLAMP-HOSE (QTY 2)									
741	B1392104	UNIVERSAL BUSHING (QTY 2)									
791	20194608	GASKET (QTY 2)									
811	20194605	GASKET (M1, M2)									
811	20194606	GASKET (M3, M4)									
811	20194607	GASKET (M5, M6)									

# Heat Exchanger/Manifold/Gas Valve

Image 1

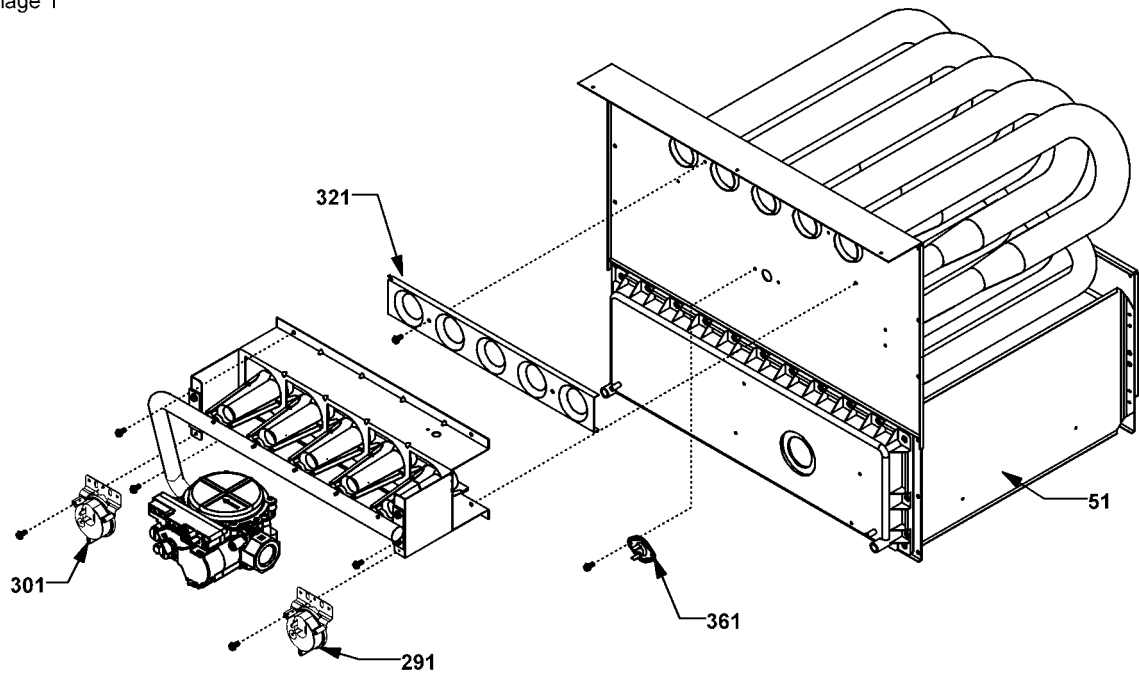
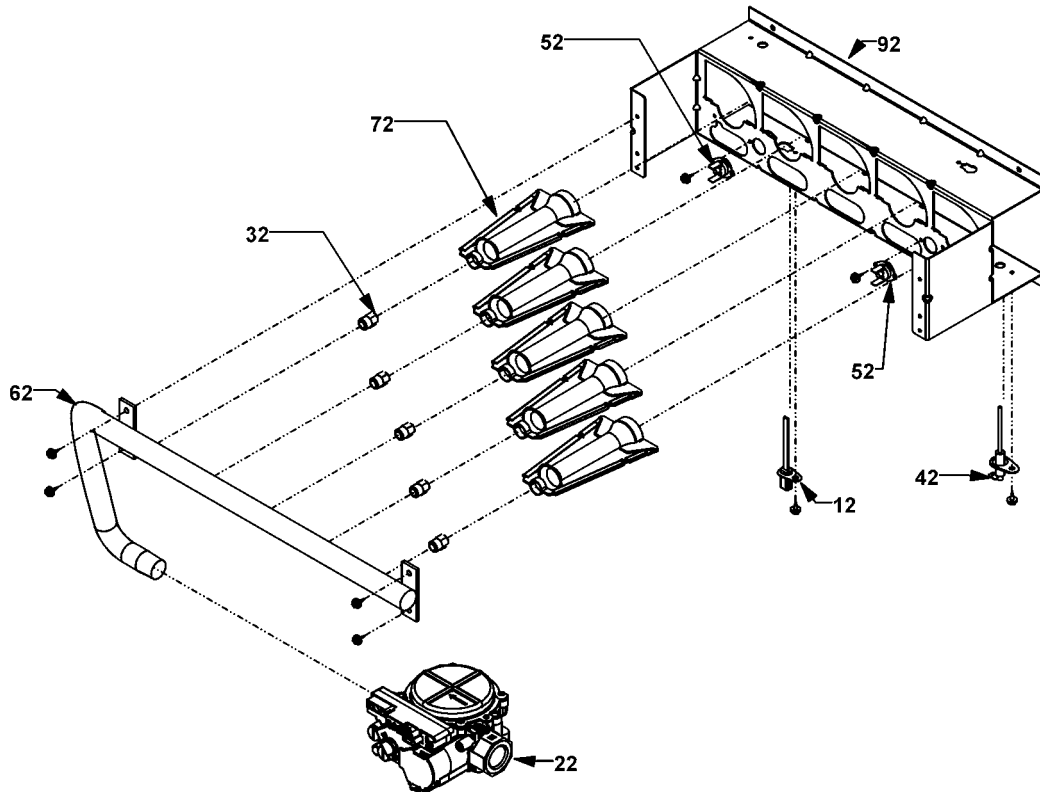


Image 2



# Heat Exchanger/Manifold/Gas Valve

Ref. Part No:	Part No:	Description:	Ref. Part No:	Part No:	Description:
---------------	----------	--------------	---------------	----------	--------------

*Image 1:*

51	0257F00026PS	ASSY-HEAT EXCHANGER 2B (M1)
51	0257F00048PS	ASSY-HEAT EXCHANGER 3B (M2)
51	0257F00055S	ASSY-HEAT EXCHANGER 3B (M3)
51	0257F00049P	ASSY-HEAT EXCHANGER 4B (M4)
51	20317359	ASSY-HEAT EXCHANGER 4B (M5)
51	20317360	ASSY-HEAT EXCHANGER 5B (M6)
291	0130F00000P	SWITCH-PRESSURE (M1, M3, M5, M6)
291	0130F00001P	SWITCH-PRESSURE (M4)
291	0130F00002P	SWITCH-PRESSURE (M2)
301	20197310	SWITCH-PRESSURE (M4, M6)
301	20197312	SWITCH-PRESSURE (M1, M2, M3, M5)
321	11072201	SHIELD-ORIFICE (M1)
321	11072202	SHIELD-ORIFICE (M2, M3)
321	11072203	SHIELD-ORIFICE (M4, M5)
321	11072204	SHIELD-ORIFICE (M6)
361	20162903	LIMIT (M2, M3, M5)
361	20162904	LIMIT (M1, M4)
361	20162906	LIMIT (M6)

*Image 2:*

12	0130F00008	IGNITOR-SINI 17 SEC
22	0151F00000P	GAS VALVE
32	B4089343	ORIFICE (QTY AR)
42	20488501	FLAME SENSOR
52	10123519	LIMIT-RESET MANUAL (M6)
52	10123533	LIMIT-RESET MANUAL
52	10123535	LIMIT-RESET MANUAL (M1, M2, M3, M4, M5)
62	20196401	MANIFOLD (M1)
62	20196402	MANIFOLD (M2, M3)
62	20196403	MANIFOLD (M4, M5)
62	20196404	MANIFOLD (M6)
72	10735102S	BECKETT BURNER (QTY AR)
92	20190410	BRACKET-BURNER 2B (M1)
92	20190411	BRACKET-BURNER 3B (M2, M3)
92	20190412	BRACKET-BURNER 4B (M4, M5)
92	20190413	BRACKET-BURNER 5B (M6)

Expanded Model Nomenclature

M1 - AMH950453BXAA
M2 - AMH950703BXAA
M3 - AMH950704CXAA
M4 - AMH950904CXAA
M5 - AMH950905DXAA
M6 - AMH951155DXAA

# Recup Coil Assy/Standpipe Asy

Image 1

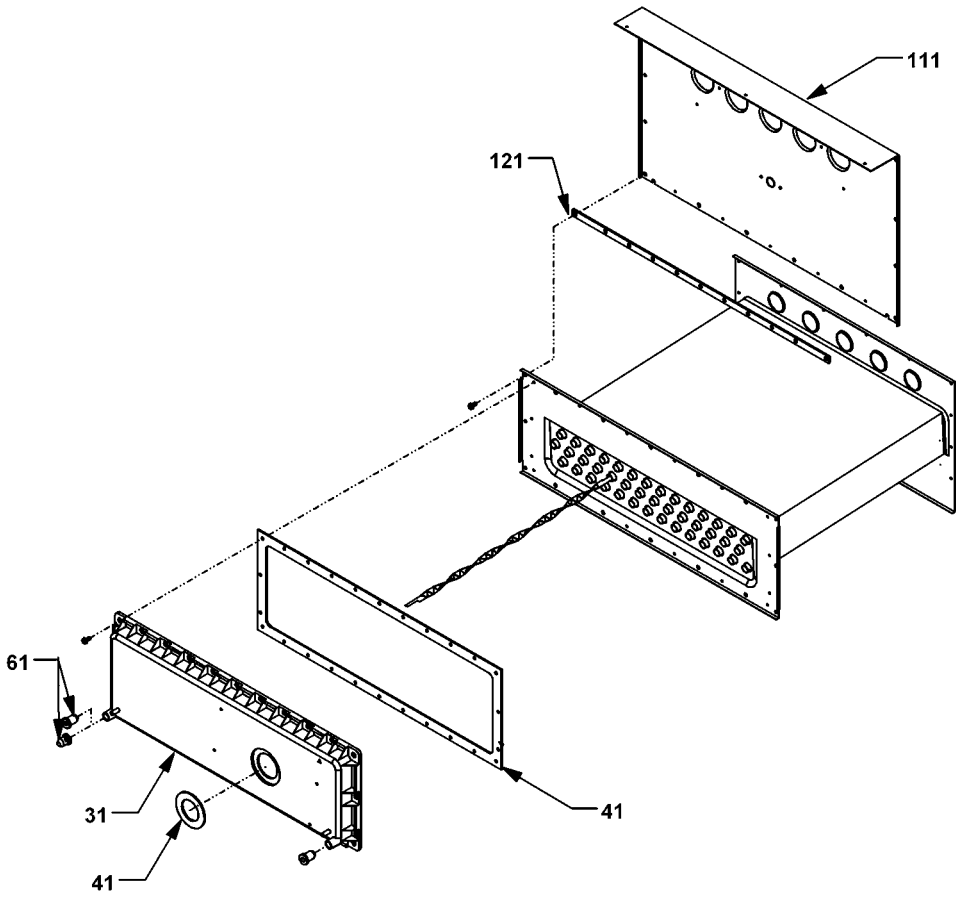
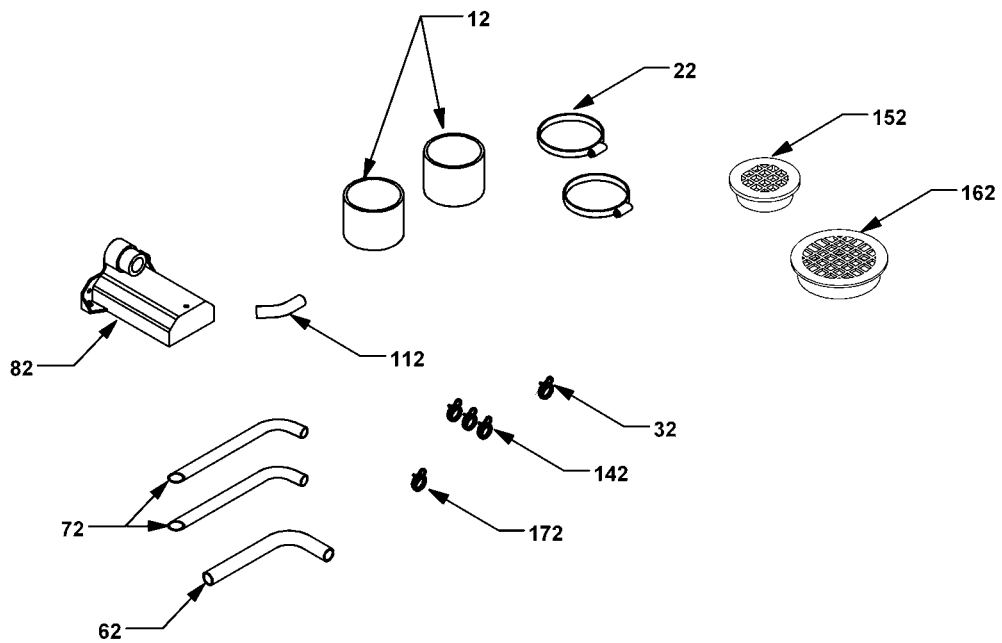


Image 2



# Recup Coil Assy/Standpipe Asy

Ref. Part No: No:	Description:	Ref. Part No: No:	Description:
-------------------	--------------	-------------------	--------------

*Image 1:*

31	20170804A	COVER-FRONT (M1)
31	20170806A	COVER-FRONT (M2)
31	20170901A	COVER-FRONT (M4)
31	20170905A	COVER-FRONT (M3)
31	20171003A	COVER-FRONT (M5)
31	20171004A	COVER-FRONT (M6)
41	0154F00000P	GASKET-COIL (M1, M2)
41	0154F00001P	GASKET-COIL (M3, M4)
41	0154F00002P	GASKET-COIL (M5, M6)
61	M0326804	PLUG-TUBE
111	20191401	PANEL-PART 2B (M1)
111	20191402	PANEL-PART 3B (M2)
111	20191403	PANEL-PART 3B (M3)
111	20191404	PANEL-PART 4B (M4)
111	20191408	PANEL-PART 4B (M5)
111	20191409	PANEL-PART 5B (M6)
121	20194605	GASKET (M1, M2)
121	20194606	GASKET (M3, M4)
121	20194607	GASKET (M5, M6)

*Image 2:*

12	10254303	COUPLING-RUBBER
22	A3326002	CLAMP-HOSE (QTY 2)
32	M0119207	CLAMP-HOSE
62	20201901	HOSE-DRAIN
72	20201802	TUBE-DRAIN (QTY 2)
82	20171701	DRAIN TRAP
112	20214203	DRAIN-ANGLE
142	M0119205	CLAMP-HOSE (QTY 3)
152	B2810816	2" MESH INSERT
162	B2810814	3" MESH INSERT
172	M0119206	CLAMP-HOSE

Expanded Model Nomenclature

M1 - AMH950453BXAA
M2 - AMH950703BXAA
M3 - AMH950704CXAA
M4 - AMH950904CXAA
M5 - AMH950905DXAA
M6 - AMH951155DXAA