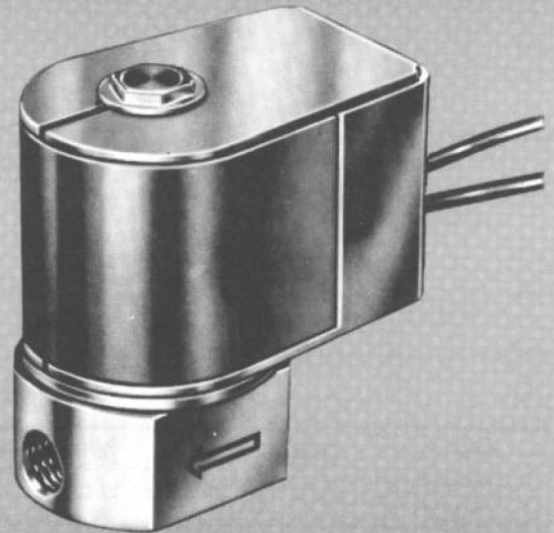


Honeywell

THE V4046 MAGNETIC VALVES PROVIDE ON-OFF CONTROL OF OIL FLOW TO DOMESTIC OIL BURNER EQUIPMENT.

- All models close in 1 sec. (maximum) on power failure.
- All models are for line voltage applications.
- Heavily loaded spring plunger maintains valve seating when the coil is de-energized, permitting the valve to be mounted in any position.
- Valve may be pipe-mounted or mounted on bracket support furnished by the installer.
- Powerhead assembly can be rotated 360 angular degrees.
- Solenoid coil is field-replaceable without removing the valve body from the piping connections.
- Integral thermistor in V4046A delays valve opening approximately 6 seconds.
- V4046B opens immediately when energized.

MAGNETIC VALVE



V4046A,B

SPECIFICATIONS

IMPORTANT

THE SPECIFICATIONS GIVEN IN THIS PUBLICATION DO NOT INCLUDE NORMAL MANUFACTURING TOLERANCES. THEREFORE, THIS UNIT MAY NOT MATCH THE LISTED SPECIFICATIONS EXACTLY. ALSO, THIS PRODUCT IS TESTED AND CALIBRATED UNDER CLOSELY CONTROLLED CONDITIONS, AND SOME MINOR DIFFERENCES IN PERFORMANCE CAN BE EXPECTED IF THOSE CONDITIONS ARE CHANGED.

TRADELINE MODELS

TRADELINE models are selected and packaged to provide ease of stocking, ease of handling, and maximum replacement value. TRADELINE model specifications are the same as those of standard models except as noted below.

TRADELINE MODEL AVAILABLE: V4046A.
VOLTAGE AND FREQUENCY: 120 V, 60 Hz.
PRESSURE RATING: 150 psi.

ADDITIONAL FEATURES: TRADELINE pack with cross reference label and special instruction sheet.

STANDARD MODELS

MODELS (also refer to Tables I and II).

V4046A Magnetic Valve for controlling oil flow to domestic oil equipment; with 3 to 8 second time delay on valve opening; for line voltage applications.

V4046B Magnetic Valve for controlling oil flow to domestic oil equipment; for line voltage applications. Valve opens immediately.

TABLE I—V4046A,B MODEL SPECIFICATIONS

| MODEL | PRESSURE RATING | | OIL FLOW CAPACITY | | OPERATION ENERGIZED | VOLTAGES | |
|--------|-----------------|--------|-------------------|------------|-------------------------|----------|-------|
| | psi | kPa | g/h | l/s | | 60 Hz | 50 Hz |
| V4046A | 150 | 1034.2 | 5-35 | 0.005-0.04 | Open after 3-8 seconds. | 120 | 120 |
| | 300 | 2068.4 | | | | 220 | 240 |
| V4046B | 150 | 1034.2 | 5-35 | 0.005-0.04 | | 120 | 220 |
| | 300 | 2068.4 | | | | 240 | |

TABLE II—COIL RATINGS

| MODEL | 120 V, 50 Hz | 120 V, 60 Hz | 220 V, 50 Hz | 240 V, 50 Hz | 240 V, 60 Hz |
|--------|--------------|--------------|--------------|--------------|--------------|
| V4046A | 10.8 | 13.8 | 9.9 | 12.0 | — |
| V4046B | — | 13.8 | 12.1 | — | 13.7 |

VALVE MATERIAL: Aluminum.
VALVE PATTERN: Straight-through.
WIRING CONNECTION: Two 36 in. [914.4 mm] lead-wires; 1/2 inch conduit bushing.
POWER CONSUMPTION: 8 W maximum at rated voltage.

UNDERWRITERS LABORATORIES INC. LISTED: File No. MH1639; Guide No. YIOZ.
FACTORY MUTUAL LISTED: V4046A, Report No. 16960; V4046B, Report No. 16424.

(continued on page 3)

ORDERING INFORMATION

WHEN PURCHASING REPLACEMENT AND MODERNIZATION PRODUCTS FROM YOUR TRADELINE WHOLESALE OR YOUR DISTRIBUTOR, REFER TO THE TRADELINE CATALOG OR PRICE SHEETS FOR COMPLETE ORDERING NUMBER.

SPECIFY—

1. Model. 2. Voltage and frequency. 3. Pressure rating.

IF YOU HAVE ADDITIONAL QUESTIONS, NEED FURTHER INFORMATION, OR WOULD LIKE TO COMMENT ON OUR PRODUCTS OR SERVICES, PLEASE WRITE OR PHONE:

1. YOUR LOCAL HONEYWELL RESIDENTIAL SALES OFFICE (CHECK WHITE PAGES OF YOUR PHONE DIRECTORY).

2. RESIDENTIAL DIVISION CUSTOMER SERVICE
HONEYWELL INC., 1885 DOUGLAS DRIVE NORTH
GOLDEN VALLEY, MINNESOTA 55422-4386 (612)542-7500

IN CANADA—HONEYWELL CONTROLS LIMITED/HONEYWELL LIMITEE, 740 ELLESMERE ROAD, SCARBOROUGH, ONTARIO M1P 2V9. INTERNATIONAL SALES AND SERVICE OFFICES IN ALL PRINCIPAL CITIES OF THE WORLD.

CANADIAN STANDARDS COMPONENT LISTED: File No. LR41960, Guide No. 440-A-O.

VALVE ACTION ON POWER FAILURE: All models close in 1 second (maximum).

MOUNTING: Can be mounted in any position. Mounts directly in pipe line or on a support bracket. (See Fig. 2 for tapped holes provided in bottom of valve body.) Conduit outlet on powerhead can be rotated through 360 degrees with respect to valve body.

REPLACEMENT PARTS: Coil assemblies include coil, leadwire, insulator, and bobbin. V4046A assemblies also include thermistor (Table III).

AMBIENT TEMPERATURE RANGE: 32 F to 115 F [0 C to 46 C]. 125 F [54 C] maximum fluid temperature.

TYPES OF OIL: Use no heavier than No. 2 oil.

ORIFICE SIZE: 150 psi models—0.078 inch diameter; 300 psi models—0.043 inch diameter.

OIL PRESSURE DROP AT VARIOUS RATES OF FLOW: To compensate for pressure drop through the valve, add the appropriate correction from Table IV to the desired nozzle pressure. For example, if the normal

TABLE III—COIL ASSEMBLY PART NUMBERS

| COIL ASSEMBLY FOR | PART NUMBER |
|-------------------------|-------------|
| V4046A — 120 Vac, 60 Hz | 116649A |
| V4046A — 120 Vac, 50 Hz | 116651A |
| V4046A — 220 Vac, 50 Hz | 116652A |
| V4046A — 240 Vac, 50 Hz | 116653A |
| V4046B — 120 Vac, 60 Hz | 116671A |
| V4046B — 240 Vac, 60 Hz | 116670A |
| V4046B — 220 Vac, 50 Hz | 116669A |

gauge setting for the pump is 100 pounds on a 25-gph oil burner, a V4046A (150 psi) would require a 106 pound setting (100 + 6 = 106).

TABLE IV—PRESSURE CORRECTIONS IN psi

| NOZZLE GAUGE gph | 5 | 10 | 15 | 20 | 25 | 30 | 35 |
|------------------|---|----|----|----|----|-----|-----|
| 150 psi model | 1 | 2 | 3 | 4 | 6 | 9 | 12 |
| 300 psi model | 4 | 13 | 28 | 48 | 73 | 103 | 140 |