

TOLCO™ fire protection solutions





We make what matters work.*

* At Eaton, we believe that power is a fundamental part of just about everything people do. That's why we're dedicated to helping our customers find new ways to manage electrical, hydraulic and mechanical power more efficiently, safely and sustainably. To improve people's lives, the communities where we live and work, and the planet our future generations depend upon. Because this what really matters. And we're here to make sure it works.

To learn more go to: [Eaton.com/whatmatters](https://www.eaton.com/whatmatters)

EATON

Powering Business Worldwide

We make what matters work.

For over 45 years, the TOLCO™ brand has been synonymous with innovative, labor saving pipe hanger and seismic bracing solutions for the fire protection industry.

Products & Services

- TOLBrace™ Seismic Bracing Calculation Software
- One of the broadest lines of pipe hangers, strut and seismic bracing in the industry

Fire Protection Team

Our Fire Protection team actively participates in the fire protection industry, including:

- Membership in the NFPA Technical Committee on Hanging and Bracing of Water Based Automatic Fire Sprinkler Systems
- MSS 403 Standards Committee for Pipe Hanging and Seismic Bracing

Product Certifications

Many of the products shown in this catalog are certified with the following:

- Listed by Underwriters Laboratories (UL) in U.S. and Canada
- Factory Mutual Engineering Approved (FM)
- Pre-approved by the State of California, Office of Statewide Health, Planning and Development (OSHPD) as shown in our OPM-0052-13 Seismic Restraint Systems Guidelines

This catalog is intended to aid design engineers, specifying engineers, Authorities Having Jurisdiction (AHJs) and others seeking solutions to their pipe support and seismic bracing system installations and design challenges.

For more information on B-Line series pipe hangers and supports, and TOLCO seismic bracing solutions utilized in other applications, such as mechanical or plumbing systems, please refer to our Pipe Hangers & Supports and Strut Systems catalogs, and the State of California OSHPD Pre-Approved Seismic Restraint Systems Guidelines OPM-0052-13. These resources and other valuable information can be found online at www.eaton.com/tolco.

For additional support, contact your TOLCO seismic bracing specialist at, tolcosupport@eaton.com



All hanger products in this catalog should be installed and serviced only as illustrated or described. Do not use them for any purpose other than those described in this catalog. Products that are used for unintended purposes could fail, resulting in severe personal injury or death.

Examples of misapplications which could cause severe personal injury or death include, but are not limited to:

- Using a beam clamp on a beam other than those described in the catalog;
- Using concrete inserts as anchors for pulling pipe up to the required elevation;
- Suspending clevis hangers, one under another, which could result in an accumulative load that is greater than that which the pipe hanger will support.

Eaton B-Line series pipe hanger and support products are manufactured in accordance with industry standards. Our customers should exercise care in using these products properly as to avoid potential damage or injury. Contact us if you have any questions about proper installation and use of the products in this catalog.

NOTICE

Eaton reserves the right to change the specifications, materials, equipment, prices or the availability of products at any time without prior notice. While every effort has been made to assure the accuracy of information contained in this catalog at the time of publication, Eaton is not responsible for inaccuracies resulting from undetected errors or omissions.



Manufacturers Standardization Society of the Valve and Fitting Industry, Inc.







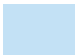










ISO 9001:2008



B-Line Division
509 West Monroe Street
Highland, Illinois 62249-0326
Phone: 800-851-7415

www.eaton.com/pipehangers

Table of Contents

Introduction	1		Medium Duty	86	
OSHPD Seismic Engineering	3		Heavy Duty	87	
TOLBrace Software Information	4		Brackets with U-Bolts	88	
Pictorial Index	5 - 11		Upper Attachments		
Beam Clamps			Ceiling Flange	88	
C-Clamps	12 - 16		Angle Supports	88 - 91	
Retaining Straps	17 - 18		Threaded Accessories		
Bar Joist Hanger	19		Eye Nuts	92	
Composite Wood Joist Clamp	20		U-Bolts	93 - 95	
Pipe Hangers			Rods, Bolts, Couplings, Washers & Hardware	96 - 104	
Clevis Hangers - NFPA	21		Reference Data		
Clevis Bolt Spacer	22		Anchor Load Chart Information	106	
Band Hanger Surge Restrainer	22		Threaded Rod Charts	107	
Band Hangers	23 - 24		Miscellaneous Charts		
Split Clamps	25		Piping, Tubing, etc.	108 - 111	
'U' Hangers	26 - 28		Beam Data Charts	112 - 115	
Pipe Clamps			Trapeze Hanger Chart	116 - 117	
Risers	29		MSS & Federal Specification Charts ..	118 - 119	
Clamps	30		B-Line Compliances & Approvals	120 - 121	
Straps	31		Cross References		
CPVC Hangers & Surge Restrainers			B-Line to TOLCO	122 - 123	
Single Fstener Strap	32		TOLCO to B-Line	124 - 125	
One-Hole Hangers	33		Metric Conversions	126 - 127	
Double Fstener Strap	34 - 35		Index	128	
Speed Nuts	36				
Restrainers	37 - 39				
Swivel Attachment	40				
CPVC Sway Brace Attachment	41				
Structural Attachment	42 - 43				
System Piping Attachment	44 - 45				
Pipe Supports					
Stands	46 - 49				
Supports	50 - 51				
Seismic Bracing					
Sway Brace Main Pipe Attachments	52 - 70				
Seismic Attachments	71				
Rod Stiffener	72				
Sway Bracing Pipe Clamps	73 - 78				
Concrete Anchors					
Seismic Wedge Anchors	79				
Concrete Deck Inserts	80 - 81				
Woodknockers™†	82				
Bang-It™†	83				
Concrete Screw Bolts & Anchors	84				
Brackets					
Light Duty	85				

† Mark shown in this document is the property of its respective owner.

OSHPD Pre-Approved
Seismic Restraints
Systems Guidelines

SEG-17

B-LINE
SERIES

Seismic engineering guidelines

OPM-0052-13

For mechanical, electrical, plumbing and
fire sprinkler systems

Seismic bracing in compliance with
requirements of

International Building Code (IBC) 2012
California Building Code (CBC) 2013



Many TOLCO brand products are included in our OSHPD pre-approved seismic guidelines.
For specific information please visit www.eaton.com/fireprotection to view the OSHPD OPM-0052-13 catalog.

TOLBrace Fire Protection

Software

Allows you to create a submittal sheet, with all relevant information, at the click of a mouse!

TOLBrace™ includes a feature that will automatically update your software when new products are added, when there are updates to codes and standards, and/or any necessary software upgrades.

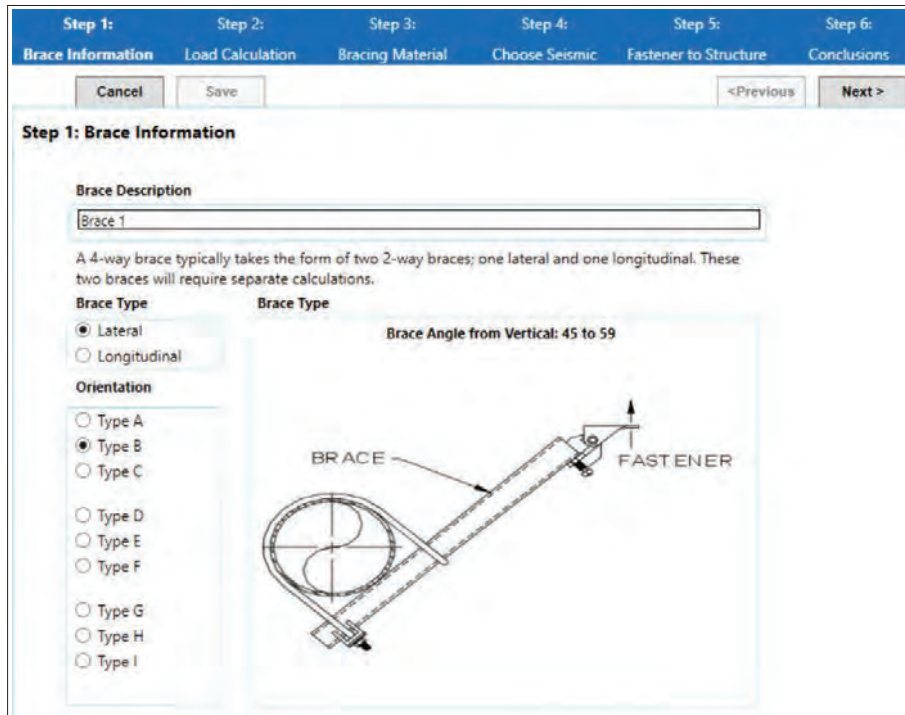
TOLBrace software assists a fire sprinkler system designer with the following:

- Seismic force factor calculations (Fp)
- Zone of influence calculations
- Sway brace orientation and angle selection
- Structural attachment of sway braces
- Brace material selection
- Appropriate selection of UL Listed and FM Approved sway brace components
- Creating a submittal sheet with all relevant information



TOLBrace follows the requirements of:

- NFPA 13, 2007, 2010, 2013, 2016, & 2019
- Uniform Building Code
- International Building Code
- National Building Code of Canada
- California Office of Statewide Health Planning & Development (OSHPD)



For more information, visit www.eaton.com/tolbrace.

Beam Clamps



B3037
Z-Purlin Beam Clamp
Page 12



B3033
Wide Jaw Top
Flange C-Clamp
Page 12



B3034
Top Flange
C-Clamp
Page 13



Fig. 65XT-3/8
Reversible
Steel C-Clamp
With Locknut
3/4" Throat
Page 14



Fig. 65
Reversible
Steel C-Clamp
With Locknut
3/4" Throat
Page 14



Fig. 66
Reversible
Steel C-Clamp
With Locknut
1 1/4" Throat
Page 15



Fig. 67SS
(3/4" Throat)
Fig. 68SS
(1 1/4" Throat)
Reversible
Stainless Steel
C-Clamp
With Locknut
Page 16



Fig. 69
Retaining Strap
Page 17



Fig. 69R
Retrofit Capable
Retaining Strap
Page 18



B3042T
Bar Joist Hanger
Page 19



Fig. 130
Composite Wood
Joist Clamp
Page 20

Pictorial Index

Pipe Hangers



Fig. B3100
Clevis Hanger
Fig. 1NFPA
NFPA Clevis Hanger
Page 21



Fig. 1CBS
Clevis Pipe
Spacer
Page 22



Fig. 25
Surge Restrainer
for Fig. 200
Band Hanger
Page 22



Fig. 200
Trimline Adjustable
Band Hanger
Fig. 200S
Trimline Adjustable
Band Hanger
with Removable Nut
Page 23



Fig. 200F
Felt Lined
Trimline
Adjustable
Band Hanger
Page 23



Fig. 200C
Plastic Coated
Trimline
Adjustable
Band Hanger
Page 23



Fig. 200 H
Heavy Duty
Trapeze
Band Hanger
Page 24



B3198H
Hinged Extension
Split Pipe Clamp
Page 25



B3198HCT
Copper Tubing
Hinged Extension
Split Pipe Clamp
Page 25 ◆

Figure 120
'U' Hanger
Page 26



Fig. 120MJ
Mutt & Jeff
'U' Hanger
Page 27



Fig. 120W
Wrap Around
'U' Hanger
Page 27



Fig. 120RWA
Retrofit Wrap
Around "U"
Hanger Clamp
Page 28

◆ **DURA-COPPER[®] Finish**

Pipe Clamps



B3373
Standard Riser Clamp
Page 29



B3373C
Plastic Coated
Standard Riser Clamp
Page 29



B3140
Standard Pipe Clamp
Page 30



B3140C & B3140F
Plastic Coated & Felt-Lined
Standard Pipe Clamp
Page 30



B2400
Standard Pipe Strap
Page 31

CPVC Solutions



Fig. 22
Single Fastener
CPVC Strap
Page 32



Fig. 22L2
One Hole Hanger/
Restrainer for CPVC &
Steel Pipe
Page 33



Fig. 23
Double Fastener
CPVC Strap
Page 34



Fig. 24
Double Fastener Side
Mounted CPVC Strap
Page 35



Fig. 27B
Speed Nut
Page 36



Fig. 28
Stand-Off Hanger & Restrainer
for CPVC & IPS Pipe
Page 37



Fig. 28M
Offset Hanger & Restrainer
for CPVC & IPS Pipe
Page 38



Fig. 29
Double Offset Hanger &
Restrainer for CPVC Pipe
Page 39



Fig. B3184
Light Duty Offset Hanger
for CPVC & IPS Pipe
Page 40



Figure 75
Swivel Attachment
Page 40



Fig. 3000
CPVC Sway Brace
Attachment
Page 41



Fig. 76
Structural Attachment
For Restraint Assembly
Pages 42 & 43



Fig. 77
CPVC System
Piping Attachment
For Restraint
Assembly
See Pages
44 & 45

Pipe Supports



B3088
Base Stand

B3088S
Seismic Base Stand
Pages 46 & 47



B3088T
Threaded Base Stand

B3088ST
Seismic Threaded
Base Stand
Pages 48 & 49



B3092
Adjustable Pipe Saddle
Support With Yoke
Page 50



B3093
Adjustable Pipe
Saddle Support
Page 51

Seismic Bracing



Fig. 828
Universal Sway
Brace Attachment
to Steel
Pages 52 & 53



Fig. 825
Sway Brace
Attachment
to Steel
Pages 54 & 55



Fig. 825A
Sway Brace
Attachment to Steel
Page 56



Fig. 906
Sway Brace
Multi-Fastener
Adapter
Page 56



Fig. 800
Adjustable Sway
Brace Attachment
To Steel
Pages 58 & 59



Fig. 980
Universal Swivel
Sway Brace
Attachment
Pages 60 & 61



Fig. 909
No-Thread
Swivel Sway
Brace
Attachment
Page 62



Fig. 910
Threaded
Swivel Sway
Brace
Attachment
Page 63



Fig. 907
Multi-Angle
Attachment
Page 64



Fig. 975
Straight Sway
Brace Fitting
Page 65



Fig. 1001
Sway Brace
Attachment
Pages 66 & 67



Fig. 1000
Fast Clamp Sway
Brace Attachment
Pages 68 & 69



Fig. 2002
Sway Brace
Attachment
Page 70



Fig. 75
Swivel
Attachment
See Page 40



Fig. 3000
CPVC Sway Brace
Attachment
See Page 41



Fig. 76
Structural
Attachment
For Restraint
Assembly
See Pages 42 & 43



Fig. 77
CPVC System
Piping Attachment
For Restraint Assembly
See Pages
44 & 45



Fig. 98
Rod Stiffener
Page 72



Fig. 98B
Rod Stiffener
with Break Off
Bolt Head
Page 72



SC228
Rod Stiffener
Page 72



Fig. 4L
Sway Brace
Attachment
Pages 74 & 75



Fig. 4B
Pipe Clamp For
Sway Bracing
Page 78

Concrete Anchors



AWSD Series
Seismic Wedge
Anchors
Page 79



Fig. 109DD
DDITM+ Concrete
Deck Insert
Pages 80 & 81



ACPW Series
Wood KnockerTM+
Anchors
Page 82



ACPD Series
Bang-ItTM+ Anchors
Page 83



ACB Series
Concrete Screw Bolts
Page 84



ATM Series
Self-Tapping Machine
Screw Anchors
Page 84

Pictorial Index

Brackets



B3068
Light Duty
Welded
Bracket
Page 85



B3065
Light Duty
Welded
Bracket
Page 85



B3064
Adjustable
Strut
Bracket
Page 86



B3066
Medium Duty
Welded Bracket
Page 86



B3067
Heavy Duty
Welded
Bracket
Page 87



B3069W
Welded
Knee Brace
Page 88



B3069E
"O" Bracket
Page 88

Upper Attachments



Fig. 78
All Steel
Ceiling Plate
Page 89



Fig. 51NFPA
Side Beam
Bracket For
NFPA Rod
Page 89



Fig. 50
Side Beam
Bracket For
NFPA Rod &
Fastener Sizing
Page 90



B3061
Angle
Bracket
Page 90



Fig. 56
Tapped
Side Beam
Connector
Page 90



Fig. 58
Threaded Side
Beam Bracket
Page 91

+ DDITM, Wood-KnockerTM & Bang-ITTM are registered trademarks used by DeWalt.

Threaded Accessories



B3200
Weldless Eye Nut
Page 92



B501
Light Weight U-Bolt
Page 93



B3188
Standard U-Bolt
Pages 94 & 95



B3188C
Plastic Coated
Standard U-Bolt
Pages 94 & 95



B3205
Machine
Threaded Rod
Page 96



ATR
All Threaded Rod
Page 96



B3213
Coach Screw Rod
Page 97



B3214
Tie Bolt
Page 97



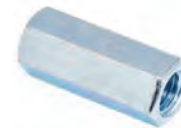
B3212
J-Bolt
Page 98



B3228
Hex Head Lag Bolt
Page 98



DS 16 x 2
#16 x 2" Drive Screw
Page 98



B655
Steel Rod Coupling
Page 99



B3220
Malleable Iron
Rod Coupling
Page 99

B3210
B3210L
Eye Rod
Page 100



B3210X
B3210XL
Linked Eye Rod
Page 101



B656
Steel Reducer
Rod Coupling
Page 99

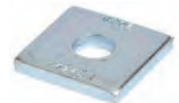
B3211
B3211L
Welded Eye Rod
Page 100



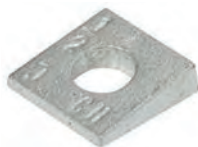
B3211X
B3211XL
Linked Welded
Eye Rod
Page 101



B3248
Steel Washer Plate
Page 102



B200
Square Washer
Page 102



B3234
Bevel Washer
Page 102



HN
Hex Nut
HHN
Heavy Hex Nut
Page 103



FW
Flat Washer
Page 104



LW
Lock Washer
Page 104



FFW
Flat Fender Washer
Page 104

Pictorial Index

Other Products www.eaton.com/pipehangers



B3040
Adjustable
Beam Clamp



B3055
Steel
Beam Clamp



B3045
Side
Beam Clamp



B3170CT
Copper Tubing
Adjustable
Swivel Ring



B3170CTC
Copper Tubing
Plastic Coated
Adjustable
Swivel Ring



B3690
Adjustable
'J' Hanger



B3198R
Extension Split
Pipe Clamp



B3198RCT
Copper Tubing
Extension Split
Pipe Clamp



B3180FL
Flush Mount
Pipe Strap



B3180
Extended Leg
Pipe Strap



B3148
Offset
Pipe Clamp



B3096
Adjustable Pipe
Saddle Support



B3089
Pipe Support
Adjuster



B3090
Pipe Saddle
Support
With U-Bolt



B3095
Pipe Saddle
Support



B3097
Pipe Saddle
With Strap



B3098
Adjustable
Pipe Support
w/U-Bolt



B3082
Rod Beam
Attachment



ATB
(TOLCO 123)
Toggle Bolt



B3203
Extension Piece



B3223
Offset Eye
Socket



B3202
Turnbuckle



B335
Three Hole
Adjustable Hinge



B650
Seismic Retrofit
Bracket

Other Products www.eaton.com/pipehangers



B2500
Light Duty
Spot Insert



N2500
Steel Insert Nut



B3014
Malleable Iron
Spot Insert



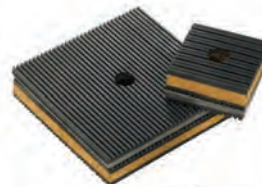
B3014N
Malleable Iron
Insert Nut



BPS Series
Snap N' Shield
For Strut Channel



BPCH Series
Snap N' Shield
For Clevis & Band
Hangers



Vibration Pads



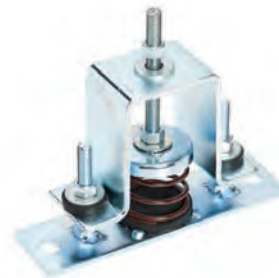
CHSCS Type
Spring Hanger
w/Seismic
Cushion Stop
1" & 2" Deflection



RH & RHD Type
Neoprene Hanger
1/4" & 1/2" Deflection



HH30SCS Type
Deflection
Combination Hanger
15° Tilt Spring &
Neoprene w/
Seismic Cushion Stop
1 1/2" & 2 1/2"
Deflection



Isolator/Restraints



**Neoprene Mounts
Seismic Restraints**



DBP
Base



DB Series
Base & Short Channel



KwikWire Clamp



Wire Rope

Pictorial Index

Beam Clamps

B3037 - Z-Purlin Malleable C-Clamp

Material: Malleable Iron

Function: Designed for attaching a 3/8"-16 hanger rod to the bottom flange of a Z-purlin.

Approvals: Underwriters Laboratories Listed (cULus) for up to 4" (100mm) pipe. Conforms to Federal Specification WW-H-171E & A-A-1192A, Type 23 and Manufacturers Standardization Society ANSI/MSS SP-69 & SP-58, Type 23.

Finish: Plain or Electro-Galvanized

Order By: Figure number and finish.

Weight: Approx. Wt./100 90 Lbs. (40.8kg)

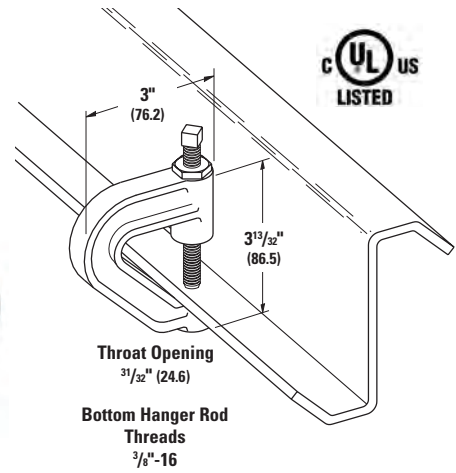
Design Load: 400 Lbs. (1.78kN)

Setscrew Torque: Per MSS SP-58 14.2.5

3/8" -16 set screws = 5 ft./lbs. (7 Nm)

Caution should be taken not to over-tighten set screws.

Set Screw and
Locknut Included



B3033 - Wide Jaw Reversible C-Clamp

Size Range: 3/8"-16 thru 3/4"-10 rod

Material: Cast Malleable Steel with hardened cup point set screw and jam nut

Function: For attachment to structural shapes requiring wider throat especially under roof with bar joist construction.

This clamp may be used with the set screw in the up or down position.

Approvals: Underwriters Laboratories Listed (cULus) and Factory Mutual Engineering Approved (FM) for 3/8"-16 and 1/2"-13 rod sizes. Conforms to Federal Specification WW-H-171E Type 19 & A-A-1192A, Type 19 & 23 and Manufacturers Standardization Society ANSI/MSS SP-69 & SP-58, Type 19 & 23. Factory Mutual Engineering Approved only with the setscrew in the down position.

Finish: Plain. Contact customer service for alternative finishes and materials.

Order By: Figure number, rod size and finish

Setscrew Torque: Per MSS SP-58 14.2.5

3/8" -16 set screws = 5 ft./lbs. (7 Nm)

1/2" -13 set screws = 11 ft./lbs. (15 Nm)

5/8" -11 set screws = 21 ft./lbs. (28 Nm)

Caution should be taken not to over-tighten set screws.

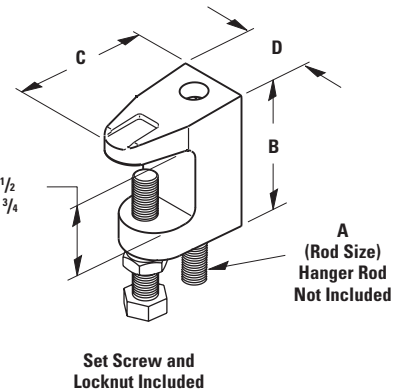
Designed to meet or exceed requirements of FM DS 2-0.

cUL US
LISTED

FM
APPROVED

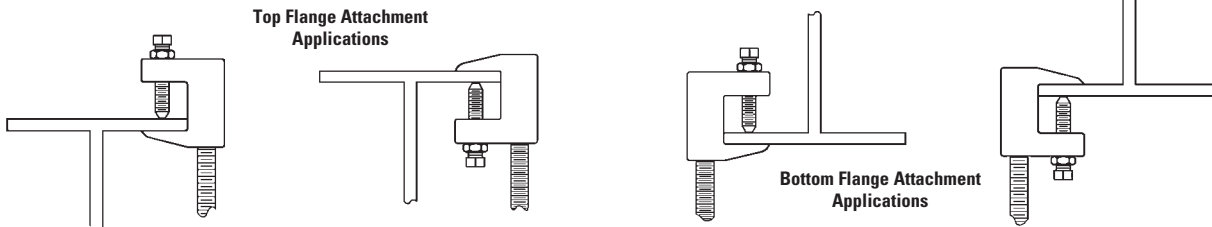


Throat Opening
1 1/4" (31.7) for B3033-3/8 & 1/2
1 5/16" (33.3) for B3033-5/8 & 3/4



Set Screw and
Locknut Included

Beam Clamps



Part No.	Rod Size A	Set Screw Size	B		C		D		Maximum Iron Pipe Size Per UL	Approx. Wt./100 Lbs. (kg)
			in.	(mm)	in.	(mm)	in.	(mm)		
B3033-3/8	3/8"-16	3/8"-16 x 2"	2 1/4"	(57.1)	2"	(50.8)	1 1/8"	(28.6)	4" (100)	54 (24.5)
B3033-1/2	1/2"-13	1/2"-13 x 2 1/2"	2 5/16"	(58.7)	2 3/16"	(55.6)	1 1/4"	(31.7)	8" (200)	51 (23.1)
B3033-5/8	5/8"-11	1/2"-13 x 2 1/2"	2 5/8"	(66.7)	2 1/2"	(63.5)	1 3/8"	(34.9)	8" (200)	70 (31.7)
B3033-3/4	3/4"-10	5/8"-11 x 2 1/2"	2 11/16"	(68.3)	2 1/2"	(63.5)	1 7/16"	(36.5)	10" (250)	98 (44.4)

All dimensions in charts and on drawings are in inches. Dimensions shown in parentheses are in millimeters unless otherwise specified.

B3034 - C-Clamp

Size Range: 3/8"-16 thru 3/4"-10 rod

Material: Cast Malleable Steel with hardened cup point set screw and jam nut

Function: Recommended for hanging from steel beam where flange thickness does not exceed 3/4" (19.0mm).

Features: May be used on top or bottom flange of the beam. Beveled lip allows hanging from top flange where clearance is limited. May be installed with the set screw in the up or down position. Offset design permits unlimited rod adjustment by allowing the rod to be threaded completely through the clamp. The rear window design permits inspection of thread engagement.

Approvals: Underwriters Laboratories Listed (**cULus**) and Factory Mutual Engineering Approved (**FM**) for 3/8"-16 and 1/2"-13 rod sizes. Conforms to Federal Specification WW-H-171E & A-A-1192A, Type 23 and Manufacturers Standardization Society ANSI/MSS SP-69 & SP-58, Type 19. 3/8"-16 is (**cULus**) Listed to support up to 4" (100mm) pipe with the set screw in the down position, up to 3" (75mm) pipe with the set screw in the up position. 1/2"-13 is (**cULus**) Listed to support up to 8" (200mm) pipe with the set screw in the down position, up to 6" (150mm) pipe with the set screw in the up position. Factory Mutual Engineering Approved only with the setscrew in the down position.

Finish: Plain. Contact customer service for alternative finishes and materials.

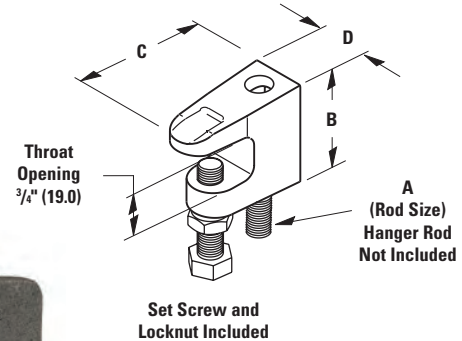
Order By: Figure number, rod size and finish

Setscrew Torque: Per MSS SP-58 14.2.5

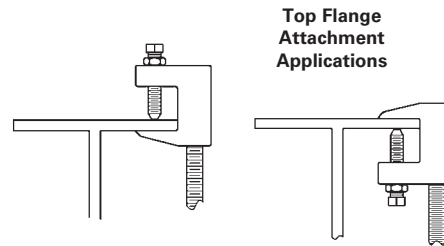
3/8" -16 set screws = 5 ft./lbs. (7 Nm)

1/2" -13 set screws = 11 ft./lbs. (15 Nm)

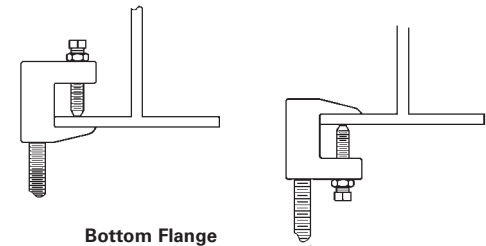
Caution should be taken not to over-tighten set screws.



B3034-3/8" shown.

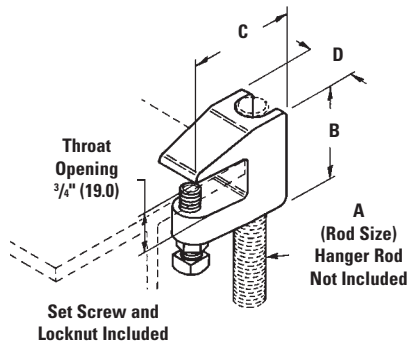


Top Flange Attachment Applications



Bottom Flange Attachment Applications

B3034-5/8" and B3034-3/4" sizes Attach only as shown.



Part No.	Rod Size A	Set Screw Size	B		C		D		Maximum Iron Pipe Size Per UL		Approx. Wt./100	
			in.	(mm)	in.	(mm)	in.	(mm)	in.	(mm)	Lbs.	(kg)
B3034-3/8	3/8"-16	3/8"-16 x 1 1/2"	1 5/8"	(41.3)	2"	(50.8)	7/8"	(19.0)	4"	(100)	30	(13.6)
B3034-1/2	1/2"-13	1/2"-13 x 1 1/2"	1 3/16"	(46.0)	2 3/16"	(55.6)	1 3/16"	(30.2)	8"	(200)	47	(21.3)
B3034-5/8	5/8"-11	1/2"-13 x 2"	1 3/4"	(44.5)	2 1/8"	(54.0)	1 1/4"	(31.7)	—	—	58	(26.3)
B3034-3/4	3/4"-10	1/2"-13 x 2"	2"	(50.8)	2 1/4"	(57.2)	1 1/4"	(31.7)	—	—	77	(35.0)

All dimensions in charts and on drawings are in inches. Dimensions shown in parentheses are in millimeters unless otherwise specified.

TOLCO Fig. 65 - Reversible Steel C-Type Beam Clamp $\frac{3}{4}$ " (19.0mm) Throat Opening

Size Range:

Fig. 65 - $\frac{1}{2}$ "-13 rod sizes, and $\frac{5}{8}$ "-11 rod sizes
 Fig. 65XT - $\frac{3}{8}$ "-16 rod size (see below)

Material: Steel with hardened cup point set screw and jam nut

Function: Recommended for hanging from steel beam where flange thickness does not exceed $\frac{3}{4}$ " (19.0mm).

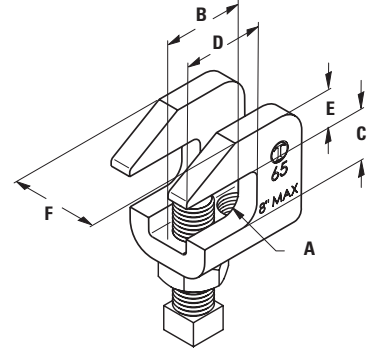
Features: All steel construction eliminates structural deficiencies associated with casting type beam clamps. May be used on top or bottom flange of beam. (Beveled lip allows hanging from top flange where clearance is limited.) May be installed with set screw in up or down position. Offset design permits unlimited rod adjustment by allowing the rod to be threaded completely through the clamp. Open design permits inspection of thread engagement.

Approvals: Underwriters Laboratories Listed in the USA (UL) and Canada (cUL). Exceeds requirements of the National Fire Protection Association (NFPA), pamphlet 13, $\frac{3}{8}$ "-16 rod will support $\frac{1}{2}$ " (15mm) thru 4" (100mm) pipe
 $\frac{1}{2}$ "-13 rod will support thru 8" (200mm) pipe

Finish: Plain or Electro-Galvanized. Contact customer service for alternative finishes and materials.

Order By: Figure number and finish

Fig. 65 Patent #4,570,885



Set Screw and Locknut Included



Part No.	Rod Size A	B in. (mm)	C in. (mm)	D in. (mm)	E in. (mm)
65- $\frac{1}{2}$	$\frac{1}{2}$ "-13	1 $\frac{1}{2}$ " (38.1)	$\frac{3}{4}$ " (19.0)	1" (25.4)	$\frac{9}{16}$ " (14.3)
65- $\frac{5}{8}$	$\frac{5}{8}$ "-11	1 $\frac{1}{2}$ " (38.1)	$\frac{3}{4}$ " (19.0)	1" (25.4)	$\frac{9}{16}$ " (14.3)

Part No.	F in. (mm)	Approx. Wt./100 Lbs. (kg)
65- $\frac{1}{2}$	1 $\frac{1}{4}$ " (31.7)	55 (24.9)
65- $\frac{5}{8}$	1 $\frac{1}{4}$ " (31.7)	55 (24.9)

TOLCO Fig. 65XT - Reversible Steel C-Type Beam Clamp $\frac{3}{4}$ " (19.0mm) Throat Opening

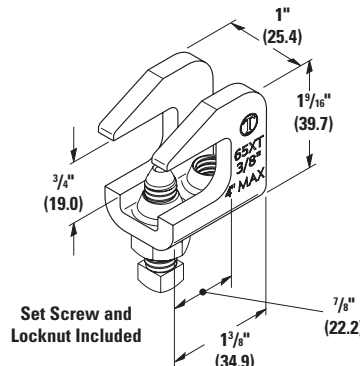
Feature: Extruded holes allows for more thread engagement of threaded rod and set screw.

Finish: Plain or Electro-Galvanized

Order By: Figure number and finish

Approvals: Underwriters Laboratories Listed (cULus) and FM Approved (FM) for up to 4" (100mm) pipe.

Designed to meet or exceed requirements of FM DS 2-0 and NFPA 13.



Set Screw and Locknut Included



Part No.	For Rod Size	Approx. Wt/100 Lbs. (kg)
65XT	$\frac{3}{8}$ "-16	28.0 (12.7)

All dimensions in charts and on drawings are in inches. Dimensions shown in parentheses are in millimeters unless otherwise specified.

TOLCO Fig. 66 - Reversible Steel C-Type Beam Clamp 1¹/₄" (31.7mm) Throat Opening

Size Range: 3/8"-16, 1/2"-13 rod sizes, and 5/8"-11 rod sizes

Material: Steel with hardened cup point set screw and jam nut

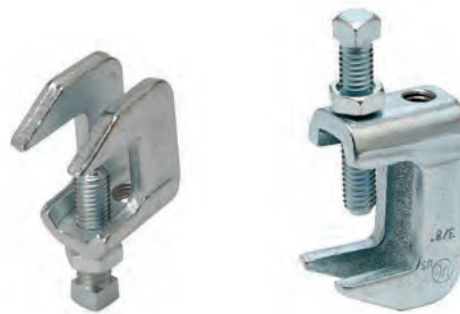
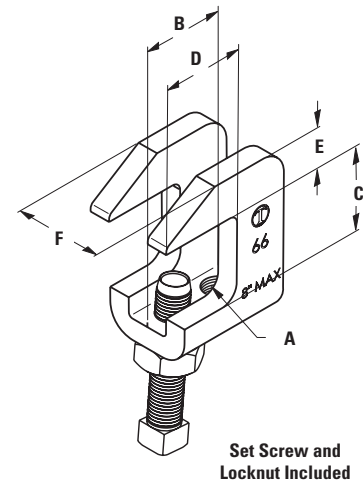
Function: Recommended for hanging from steel beam where flange thickness does not exceed 1¹/₄" (31.7mm).

Features: All steel construction eliminates structural deficiencies associated with casting type beam clamps. May be used on top or bottom flange of beam. (Beveled lip allows hanging from top flange where clearance is limited.) May be installed with set screw in up or down position. Offset design permits unlimited rod adjustment by allowing the rod to be threaded completely through the clamp. Open design permits inspection of thread engagement.

Approvals: Underwriters Laboratories Listed in the USA (UL) and Canada (cUL). Exceeds requirements of the National Fire Protection Association (NFPA), pamphlet 13, 3/8"-16 rod will support 1/2" (15mm) thru 4" (100mm) pipe
1/2"-13 rod will support thru 8" (200mm) pipe

Finish: Plain or Electro-Galvanized. Contact customer service for alternative finishes and materials.

Order By: Figure number and finish



Part No.	Rod Size A	B in. (mm)	C in. (mm)	D in. (mm)	E in. (mm)
66-3/8	3/8"-16	1 ³ / ₁₆ " (30.2)	1 ¹ / ₄ " (31.7)	1" (25.4)	7/16" (11.1)
66-1/2	1/2"-13	1 ¹ / ₂ " (38.1)	1 ¹ / ₄ " (31.7)	1" (25.4)	9/16" (14.3)
66-5/8	5/8"-11	1 ¹ / ₂ " (38.1)	1 ¹ / ₄ " (31.7)	1" (25.4)	9/16" (14.3)

Part No.	F in. (mm)	Approx. Wt./100 Lbs. (kg)
66-3/8	1" (25.4)	28 (12.7)
66-1/2	1 ¹ / ₄ " (31.7)	55 (24.9)
66-5/8	1 ¹ / ₄ " (31.7)	55 (24.9)

All dimensions in charts and on drawings are in inches. Dimensions shown in parentheses are in millimeters unless otherwise specified.

Beam Clamps

TOLCO Fig. 67SS - Stainless Steel Reversible C-Type Beam Clamp $\frac{3}{4}$ " (19.0mm) Throat Opening

TOLCO Fig. 68SS - Stainless Steel Reversible C-Type Beam Clamp Wide Mouth

Size Range: $\frac{3}{8}$ "-16 and $\frac{1}{2}$ "-13 rod sizes

Material: Stainless Steel (Type 316 or 304)

Function: Recommended for hanging from steel beams where flange thickness does not exceed $\frac{3}{4}$ " (19.0mm) for Fig. 67SS or $\frac{1}{4}$ " (31.7mm) for Fig. 68SS.

Features: All steel construction eliminates structural deficiencies associated with casting type beam clamps. May be used on top or bottom flange of beam. May be installed with set screw in up or down position. Offset design permits unlimited rod adjustment by allowing the rod to be threaded completely through the clamp.

Approvals: Conforms to Manufacturers Standardization Society ANSI/MSS SP-69 & SP-58, Type 19.

$\frac{3}{8}$ "-16 rod will support $\frac{1}{2}$ " (15mm) thru 4" (100mm) pipe at maximum NFPA 13 spacing

$\frac{1}{2}$ "-13 rod will support thru 8" (200mm) pipe at maximum NFPA 13 spacing

Order By: Figure number and stainless steel type.

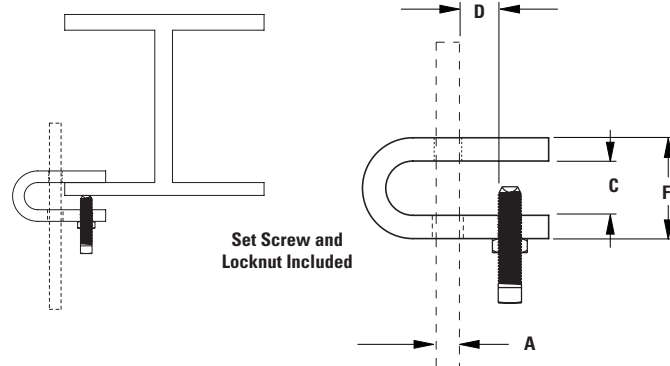
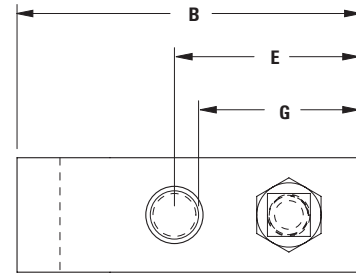


Fig. 67SS

Part No.	Rod Size A	Pipe Size in. (mm)	B in. (mm)	C in. (mm)	D in. (mm)	E in. (mm)
67SS- $\frac{3}{8}$	$\frac{3}{8}$ "-16	$\frac{1}{2}$ " - 4" (15 - 100)	3" (76,2)	$\frac{7}{8}$ " (22.2)	1" (25.4)	$1\frac{5}{8}$ " (41.3)
67SS- $\frac{1}{2}$	$\frac{1}{2}$ "-13	5" - 8" (125 - 200)	3" (76,2)	$\frac{7}{8}$ " (22.2)	1" (25.4)	$1\frac{5}{8}$ " (41.3)

Part No.	F in. (mm)	G in. (mm)	Approx. Wt./100 Lbs. (kg)
67SS- $\frac{3}{8}$	$1\frac{5}{8}$ " (41.3)	$1\frac{1}{8}$ " (28.6)	84 (38.1)
67SS- $\frac{1}{2}$	$1\frac{5}{8}$ " (41.3)	$1\frac{1}{8}$ " (28.6)	170 (77.1)



Fig. 68SS

Part No.	Rod Size A	Pipe Size in. (mm)	B in. (mm)	C in. (mm)	D in. (mm)	E in. (mm)
68SS- $\frac{3}{8}$	$\frac{3}{8}$ "-16	$\frac{1}{2}$ " - 4" (15 - 100)	$2\frac{1}{16}$ " (52.4)	$1\frac{1}{8}$ " (28.6)	$\frac{3}{4}$ " (19.0)	$1\frac{1}{4}$ " (31.7)
68SS- $\frac{1}{2}$	$\frac{1}{2}$ "-13	5" - 8" (125 - 200)	$2\frac{1}{4}$ " (57.1)	$1\frac{1}{4}$ " (31.7)	$\frac{13}{16}$ " (20.6)	$1\frac{1}{4}$ " (31.7)

Part No.	F in. (mm)	Approx. Wt./100 Lbs. (kg)
68SS- $\frac{3}{8}$	2" (50.8)	84 (38.1)
68SS- $\frac{1}{2}$	$2\frac{1}{4}$ " (57.1)	170 (77.1)



All dimensions in charts and on drawings are in inches. Dimensions shown in parentheses are in millimeters unless otherwise specified.

TOLCO Fig. 69 - Beam Clamp Retaining Strap

Size Range: $\frac{3}{8}$ "-16 thru $\frac{3}{4}$ "-10 rod
 4" (101.6mm) thru 16" (406.4mm) lengths
 Note: longer lengths are available consult factory

Material: Pre-Galvanized Steel

Function: To offer more secure fastening of various types of beam clamps to beam where danger of movement might be expected. NFPA 13 requires the use of retaining straps with all beam clamps installed in earthquake areas. Satisfies requirements of NFPA 13.

Important Note: Good installation practice of a retaining strap requires that the strap be held tightly and securely to all component parts of the assembly. Therefore a locking mechanism of some kind, such as a hex nut for the Fig. 69 or the beveled locking slot of the Fig. 69R will provide a more secure reliable installation.

Approvals: Underwriters Laboratories Listed in the USA (**UL**) and Canada (**cUL**). Approved for use with any listed B-Line series or Tolco beam clamp.

Finish: Pre-Galvanized

Order By: Figure number, length (L), and finish.

Note: Minimum return on strap is 1" (25.4mm).
 Lengths over 16" (406mm) are not UL Listed.

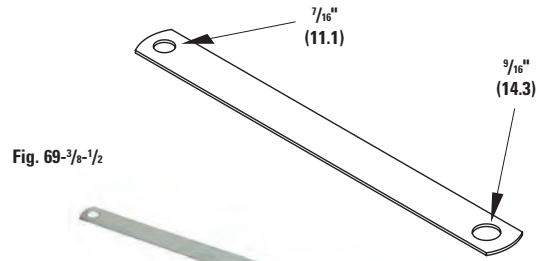


Fig. 69- $\frac{3}{8}$ - $\frac{1}{2}$



Detail A

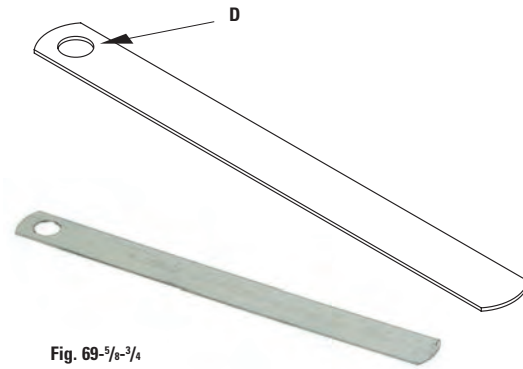
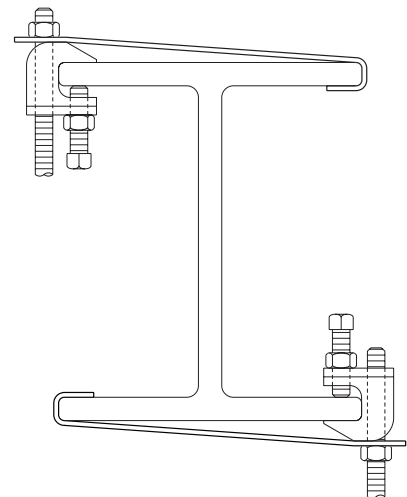


Fig. 69- $\frac{5}{8}$ - $\frac{3}{4}$

Part No.	Hole Dia. D in. (mm)	For Use With	Length
69- $\frac{3}{8}$ - $\frac{1}{2}$ -L	see Detail A	B3033- $\frac{3}{8}$, B3034- $\frac{3}{8}$, B3031- $\frac{3}{8}$, 65- $\frac{3}{8}$, 65XT- $\frac{3}{8}$, 66- $\frac{3}{8}$ B3033- $\frac{1}{2}$, B3034- $\frac{1}{2}$, 65- $\frac{1}{2}$, 66- $\frac{1}{2}$	Specify
69- $\frac{5}{8}$ -L	$\frac{11}{16}$ " (17.5)	B3033- $\frac{5}{8}$, 65- $\frac{5}{8}$, 66- $\frac{5}{8}$	Specify
69- $\frac{3}{4}$ -L	$\frac{13}{16}$ " (20.6)	B3033- $\frac{3}{4}$	Specify



All dimensions in charts and on drawings are in inches. Dimensions shown in parentheses are in millimeters unless otherwise specified.

Beam Clamps

TOLCO Fig. 69R - Retrofit Capable Beam Clamp Retaining Strap

Size Range: $\frac{3}{8}$ "-16 & $\frac{1}{2}$ "-13 rod
 4" (101.6mm) thru 16" (406.4mm) lengths
 Note: longer lengths are available consult factory



Material: Pre-Galvanized Steel

Function: To offer more secure fastening of various types of beam clamps to beam where danger of movement might be expected. NFPA 13 requires the use of retaining straps with all beam clamps installed in earthquake areas. Satisfies requirements of NFPA 13.

Features: Beveled locking slot* is precisely formed to align with the threaded section of a hanger rod or set screw and engage the unit securely. May be used as shown in Section "A-A" or inverted. Allows easy installation for new construction or retrofit applications.

Important Note: Good installation practice of a retaining strap requires that the strap be held tightly and securely to all component parts of the assembly. Therefore the beveled locking slot of the Fig. 69R will provide a secure reliable installation.

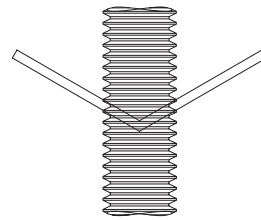
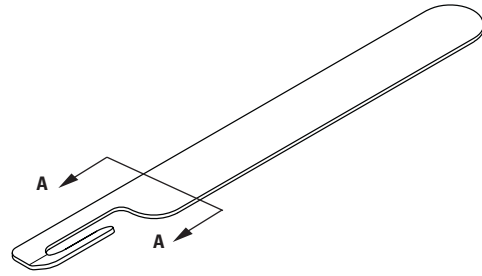
Approvals: Underwriters Laboratories Listed in the USA (UL) and Canada (cUL). Approved for use with any listed B-Line series or Tolco beam clamp.

Finish: Pre-Galvanized

Order By: Figure number, length, and finish.

Note: Minimum return on strap is 1" (25.4mm)

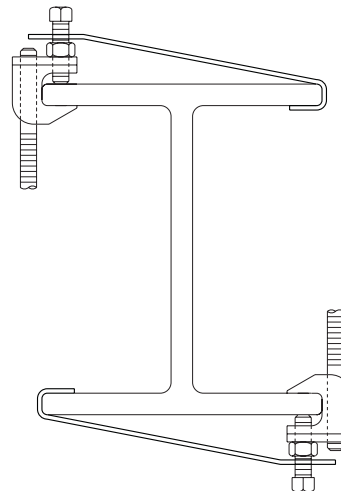
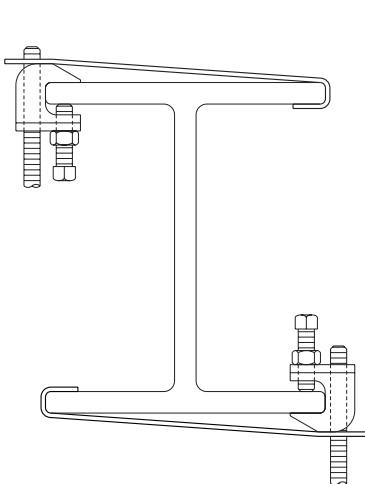
* Patent #5,947,424



A - A



Part No.	Slot Width in. (mm)	For Use With	Length
69R- $\frac{3}{8}$ -L	$\frac{7}{16}$ " (11.1)	B3033- $\frac{3}{8}$, B3034- $\frac{3}{8}$, 65- $\frac{3}{8}$, 65XT- $\frac{3}{8}$, 66- $\frac{3}{8}$	Specify
69R- $\frac{1}{2}$ -L	$\frac{9}{16}$ " (14.3)	B3033- $\frac{1}{2}$, B3034- $\frac{1}{2}$, 65- $\frac{1}{2}$, 66- $\frac{1}{2}$	Specify



All dimensions in charts and on drawings are in inches. Dimensions shown in parentheses are in millimeters unless otherwise specified.

B3042T - Bar Joist Hanger

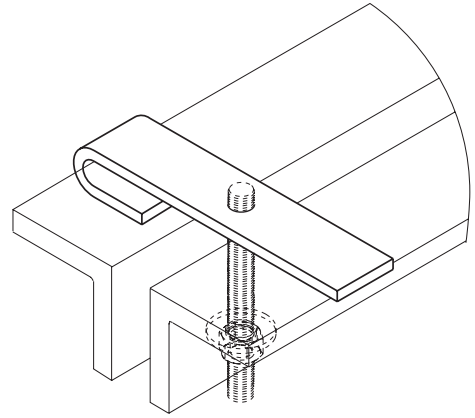
Size Range: 3/8"-16 and 1/2"-13 rod

Material: Steel

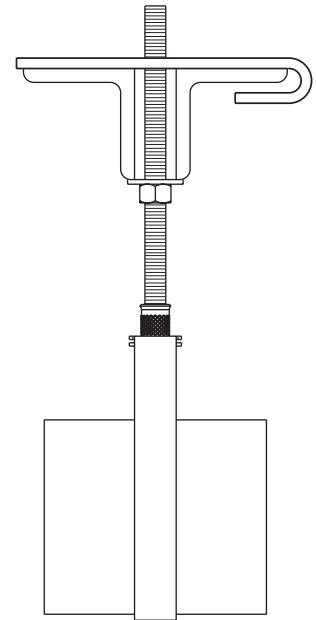
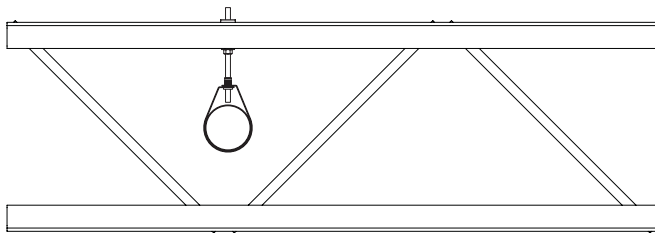
Function: Designed to hook on top chord of metal bar joist. Hanger rod is threaded into product and secured with a washer and nut.

Finish: Plain. Contact customer service for alternative finishes and materials.

Order By: Figure number, rod size, width and thickness of bar joist, and finish.



Part No.	Rod Size	For Pipe Size	Approx. Wt./100
	Size	in. (mm)	Lbs. (kg)
B3042T-3/8	3/8"-16	Up to 4" (up to 100)	50.6 (22.9)
B3042T-1/2	1/2"-13	6" (150)	50.0 (22.7)



Beam Clamps

All dimensions in charts and on drawings are in inches. Dimensions shown in parentheses are in millimeters unless otherwise specified.

Beam Clamps

TOLCO Fig. 130 - Composite Wood Joist Clamp

Size Range: 130-1 = TJI 35 or equivalent
 130-2 = —
 130-3 = TJI 25 or equivalent
 130-4 = TJI 55, TJI 65, & TJI 560D or equivalent
 130-5 = TJI 75 & TJI H90 or equivalent
 130-6 = TJI 96 or equivalent

Material: Steel

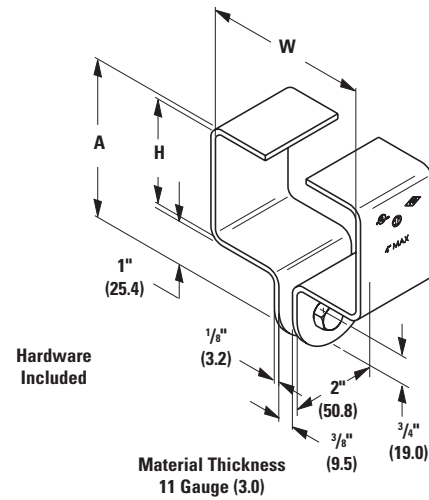
Function: Designed for attachment to composite wood joist beams. Use with eye rods, eye sockets, or angle bracket.

Approvals: Sizes 1 - 6 are Underwriters Laboratories Listed in the USA (**UL**) and Canada (**cUL**) list through 4" (100mm) pipe. All Fig. 130 Beam Clamps meet requirements of Factory Mutual Engineering (**FM**) and NFPA 13, through 4" (100mm) pipe.

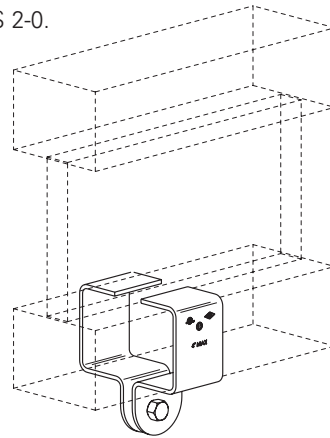
Finish: Electro-Galvanized or Hot-Dip Galvanized

Order By: Figure number and finish.

Designed to meet or exceed requirements of FM DS 2-0.



Beam Clamps



Part No.	Hardware Size	A		H		W		Approx. Wt./100	
		in.	(mm)	in.	(mm)	in.	(mm)	Lbs.	(kg)
130-1	3/8"-16	3 1/4"	(82.5)	1 1/2"	(38.1)	2 5/16"	(58.7)	65	(29.5)
130-2	3/8"-16	3 1/2"	(88.9)	1 3/4"	(44.4)	2 1/2"	(63.5)	70	(31.7)
130-3	3/8"-16	3 1/4"	(82.5)	1 1/2"	(38.1)	1 3/4"	(44.4)	58	(26.3)
130-4	3/8"-16	3 1/2"	(88.9)	1 1/2"	(38.1)	3 1/2"	(88.9)	83	(37.6)
130-5†	1/2"-13	3 5/8"	(92.1)	1 3/4"	(44.4)	3 1/2"	(88.9)	86	(39.0)
130-6†	1/2"-13	4 1/2"	(114.3)	2 1/2"	(63.5)	3 7/8"	(98.4)	101	(45.8)

† 'H' and 'W' are beam dimensions.

† Larger bolts and I-rods are required for 5" (125mm) and 6" (150mm) pipe sizes

All dimensions in charts and on drawings are in inches. Dimensions shown in parentheses are in millimeters unless otherwise specified.

B3100 - Clevis Hanger for NFPA Sizes 3/4" (20mm) thru 2" (50mm)

TOLCO Fig. 1NFPA - Clevis Hanger for NFPA Sizes 2 1/2" (65mm) thru 12" (300mm)



Size Range: 3/4" (20mm) to 12" (300mm)

Material: Steel

Function: Recommended for the suspension of non-insulated pipe or insulated pipe with a B3151 shield.

Note: When an oversized clevis is used, a pipe spacer should be placed over the cross bolt to assure that the lower U-strap will not move in on the bolt. When attaching seismic bracing to the clevis hangers, a 1CBS (clevis bolt spacer) must be installed.

Order pipe sleeves Fig. 1CBS-(pipe size) separately.

Approvals: Underwriter's Laboratories Listed in the USA (**UL**) and Canada (**cUL**) for sizes 3/4" (20) thru 12" (300). Factory Mutual Engineering Approved (**FM**) for 3/4" (20mm) thru 8" (200mm) pipe. Conforms to Federal Specification WW-H-171E & A-A-1192A, Type 1 and Manufacturers Standardization Society ANSI/MSS SP-69 & SP-58, Type 1. Rod sizes per National Fire Protection Association (**NFPA**) Pamphlet 13.

Maximum Temperature: 650°F (343°C).

Standard Finish: Plain, Electro-Galvanized, DURA-GREEN™, or Hot-Dip Galvanized also available in Stainless Steel

Order By: Figure number and finish

For pipe sizes under 2 1/2" (65mm) order B3100 Clevis Hanger, see chart below.

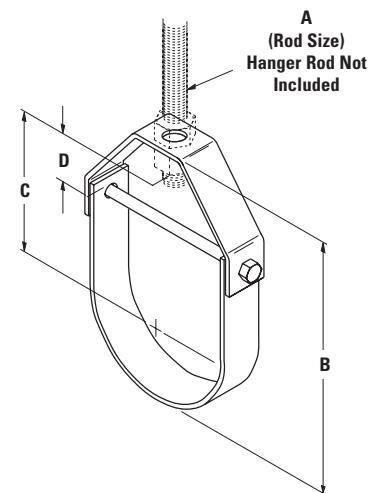
Designed to meet or exceed requirements of FM DS 2-0.



B
Overall Height.

C
Bottom of hanger rod nut to center of pipe.

D
Bottom of hanger rod nut to top clevis bolt.



Pipe Hangers

Part No.	Nominal Pipe Size		Rod Size A	B		C		D		Approx. Wt./100	
	in.	(mm)		in.	(mm)	in.	(mm)	in.	(mm)	Lbs.	(kg)
B3100-3/4	3/4"	(20)	3/8"-16	2 5/8"	(66.7)	1 9/16"	(39.7)	9/16"	(14.3)	29	(13.1)
B3100-1	1"	(25)	3/8"-16	2 11/16"	(68.3)	1 9/16"	(39.7)	1 1/16"	(17.5)	35	(15.9)
B3100-1 1/4	1 1/4"	(32)	3/8"-16	3 3/16"	(81.0)	1 7/8"	(47.6)	1 5/16"	(29.8)	40	(18.1)
B3100-1 1/2	1 1/2"	(40)	3/8"-16	3 3/8"	(85.7)	1 15/16"	(49.2)	1 1/4"	(31.7)	42	(19.0)
B3100-2	2"	(50)	3/8"-16	4 9/16"	(115.9)	2 7/8"	(73.0)	1 1/8"	(28.6)	52	(23.6)
1NFPA-2 1/2	2 1/2"	(65)	3/8"-16	5 5/16"	(134.9)	3 1/4"	(82.5)	1"	(25.4)	124	(56.2)
1NFPA-3	3"	(80)	3/8"-16	5 15/16"	(150.8)	3 1/2"	(88.9)	1 1/4"	(31.7)	140	(63.5)
1NFPA-3 1/2	3 1/2"	(90)	3/8"-16	6 7/16"	(163.5)	3 3/4"	(95.2)	1 1/4"	(31.7)	152	(68.9)
1NFPA-4	4"	(100)	3/8"-16	7 3/8"	(187.3)	4 1/4"	(107.9)	1 1/2"	(38.1)	190	(86.2)
1NFPA-5	5"	(125)	1/2"-13	8 15/16"	(226.9)	5 1/4"	(133.3)	1 1/2"	(38.1)	235	(106.6)
1NFPA-6	6"	(150)	1/2"-13	9 13/16"	(249.2)	5 1/2"	(139.7)	1 1/2"	(38.1)	317	(143.8)
1NFPA-8	8"	(200)	1/2"-13	12 9/16"	(319.1)	7 1/8"	(181.0)	2"	(50.8)	428	(194.1)
1NFPA-10	10"	(250)	5/8"-11	16 1/4"	(412.7)	9 5/8"	(244.5)	3 1/4"	(82.5)	918	(416.4)
1NFPA-12	12"	(300)	5/8"-11	18 9/16"	(471.5)	10 13/16"	(268.3)	3 1/8"	(79.4)	1086	(492.6)

All dimensions in charts and on drawings are in inches. Dimensions shown in parentheses are in millimeters unless otherwise specified.

Pipe Hangers

TOLCO Fig. 1CBS - Clevis Bolt Spacer

Size Range: Size 1" (25mm) thru 20" (500mm) clevis hanger

Material: Steel

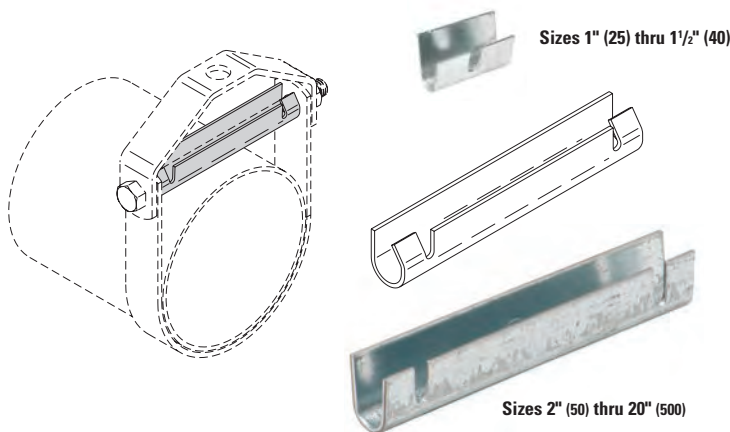
Function: Used as a spacer at a seismic brace location to keep clevis hanger from collapsing during seismic event.

Approvals: Included in our Seismic Engineering Guidelines approved by the State of California Office of Statewide Health Planning and Development (OSHPD). For additional load, spacing and placement information relating to OSHPD projects, please refer to our Seismic Engineering Guidelines OPM-0052-13, for 2½" - 8" (B3100) only

Installation Note: Fig. 1CBS fits easily over the cross bolt and attaches by pinching tabs down.

Finish: Pre-Galvanized. Contact customer service for alternative finishes and materials.

Order By: Figure number and finish.



OPM

Part No.	Pipe Size in. (mm)	Approx. Wt./100 lbs. (kg)	
1CBS-1	1" (25)	3.2	(1.4)
1CBS-1¼	1¼" (32)	4.1	(1.8)
1CBS-1½	1½" (40)	4.8	(2.2)
1CBS-2	2" (50)	9.4	(4.2)
1CBS-2½	2½" (65)	11.4	(5.2)
1CBS-3	3" (75)	13.9	(6.8)
1CBS-3½	3½" (90)	16.0	(7.2)
1CBS-4	4" (100)	18.0	(8.1)
1CBS-5	5" (125)	27.3	(12.4)
1CBS-6	6" (150)	32.5	(14.7)
1CBS-8	8" (200)	42.5	(19.2)
1CBS-10	10" (250)	72.7	(32.9)
1CBS-12	12" (300)	86.3	(39.1)
1CBS-14	14" (350)	157.6	(71.5)
1CBS-16	16" (400)	183.7	(83.3)
1CBS-18	18" (450)	224.6	(101.9)
1CBS-20	20" (500)	254.0	(115.2)

TOLCO Fig. 25 - Surge Restrainer

Size Range: — One size fits ¾" (20mm) thru 2" (40mm) pipe.

Material: — Pre-Galvanized Steel

Function: — Designed to be used in conjunction with Fig. 200 band hangers to restrict the upward movement of piping as it occurs during sprinkler head activation or earthquake type activity. The surge restrainer is easily and efficiently installed by snapping into a locking position on the band hanger. This product is intended to satisfy the requirements as indicated in the National Fire Protection Association NFPA 13, 2016 edition, 9.2.3.4.4.1 and 9.2.3.4.4.4 Can be used to restrain either steel pipe or CPVC plastic Pipe.

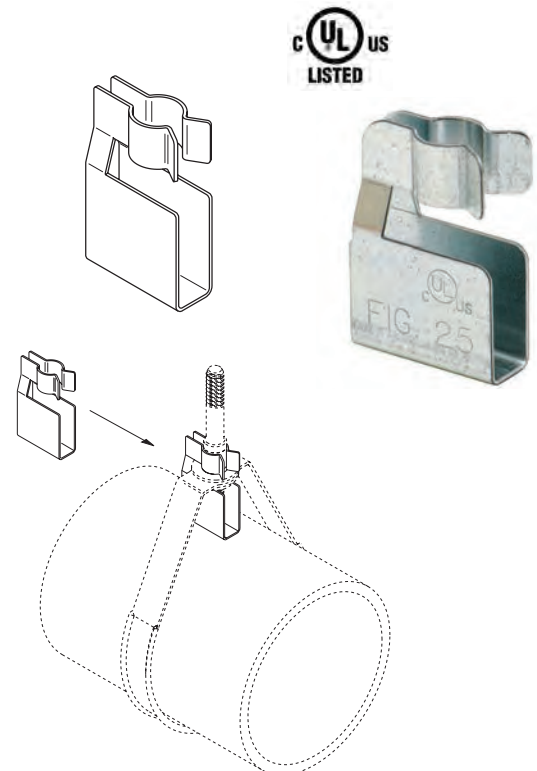
Approvals: — Underwriters Laboratories Listed only when used with band hanger Fig. 200, in the USA (UL) and Canada (cUL).

Finish: Pre-Galvanized

Order By: Figure number and band hanger, size from ¾" (20mm) thru 2" (40mm).

Patent #5,344,108

Part No.	Approx. Wt./100 lbs. (kg)	
25	4.8	(2.2)



All dimensions in charts and on drawings are in inches. Dimensions shown in parentheses are in millimeters unless otherwise specified.

TOLCO Fig. 200 - "Trimline" Adjustable Band Hanger

TOLCO Fig. 200F - "Trimline" Adjustable Band Hanger with Felt Lining for Copper Tubing

TOLCO Fig. 200C - "Trimline" Adjustable Band Hanger with Plastic Coated

TOLCO Fig. 200S - "Trimline" Adjustable Band Hanger with Removable Nut (For sizes 1" thru 2")

Size Range:

Fig. 200 - 1/2" (15mm) thru 8" (200mm) pipe

Material: Steel, Pre-Galvanized

Function: For fire sprinkler and other general piping purposes. Knurled swivel nut design permits hanger adjustment after installation.

Features:

- 1/2" (15mm) thru 2" (50mm) sizes have flared edges for ease of installation on all pipe types and protects CPVC plastic pipe from abrasion. Captured knurled nut design (flared top) on 1" thru 2" sizes keep nut from separating with hanger. Hanger is easily installed around pipe.
- 1/2" (15mm), 3/4" (20mm), and 2 1/2" (65mm) thru 8" (200mm) Spring tension on nut holds it securely in hanger before installation. Knurled nut is easily removed.
- For 1/2" (15mm) and 3/4" (20mm) sizes with non-captured knurl nuts order Fig. 200S

Approvals: Underwriters Laboratories listed (1/2" (15mm) thru 8" (200mm)) in the USA (**UL**) and Canada (**cUL**) for steel and CPVC plastic pipe and Factory Mutual Engineering Approved (**FM**) (3/4" (20mm) thru 8" (200mm)). Conforms to Federal Specifications WW-H-171E & A-A-1192A, Type 10 and Manufacturers Standardization Society ANSI/MSS SP-69 & SP-58, Type 10.

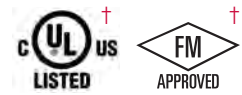
Maximum Temperature: 650°F (343°C)

Finish: Pre-Galvanized. Stainless Steel materials will be supplied with (2) hex nuts in place of a knurl nut.

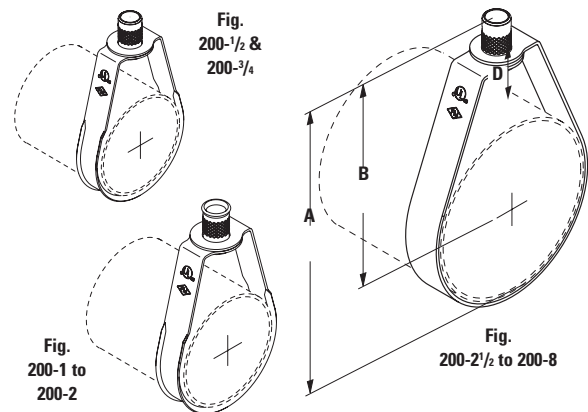
Order By: Part number and pipe size

**** Note:** For metric hanger rod sizes add the metric rod size to the figure number.
Example: 200M8-1 1/2 or 200M10-1 1/2

† M8 rod size is not UL Listed or FM Approved



A Overall Height
B Center of pipe to top of knurled hanger rod nut.
D Top of pipe to bottom of hanger rod nut.



Pipe Hangers

Part No.**	Pipe Size		Rod Size		A	B	D	Max. Rec. Load	Approx. Wt./100	
	in. (mm)	in. (mm)	in. (mm)	mm**					lbs. (kN)	lbs. (kg)
200-1/2	1/2" (15)	3/8"-16	M8† or M10		3 1/8" (79.4)	2 5/8" (66.7)	1 11/32" (34.1)	400 (1.78)	11	(5.0)
200-3/4	3/4" (20)	3/8"-16	M8† or M10		3 1/8" (79.4)	2 1/2" (63.5)	1 1/16" (27.0)	400 (1.78)	11	(5.0)
200-1	1" (25)	3/8"-16	M8† or M10		3 3/8" (85.7)	2 5/8" (66.7)	1 1/8" (28.6)	400 (1.78)	12	(5.5)
200-1 1/4	1 1/4" (32)	3/8"-16	M8† or M10		3 3/4" (94.0)	2 7/8" (73.0)	1 5/32" (29.3)	400 (1.78)	13	(5.9)
200-1 1/2	1 1/2" (40)	3/8"-16	M†8 or M10		3 7/8" (98.4)	2 7/8" (73.0)	1 3/16" (30.2)	400 (1.78)	14	(6.4)
200-2	2" (50)	3/8"-16	M8† or M10		4 1/2" (114.3)	3 9/32" (80.8)	1 3/16" (30.2)	400 (1.78)	15	(6.9)
200-2 1/2	2 1/2" (65)	3/8"-16	M10		5 5/8" (142.9)	4 1/8" (104.7)	1 7/16" (36.5)	600 (2.67)	27	(12.3)
200-3	3" (75)	3/8"-16	M10		5 7/8" (149.1)	4" (101.6)	1 1/4" (31.7)	600 (2.67)	29	(13.3)
200-3 1/2	3 1/2" (90)	3/8"-16	M10		7 3/8" (187.3)	5 1/4" (133.3)	2 3/16" (55.6)	600 (2.67)	34	(15.6)
200-4	4" (100)	3/8"-16	M10		7 3/8" (187.3)	5" (127.0)	1 3/8" (34.9)	1000 (4.45)	35	(16.0)
200-5	5" (125)	1/2"-13	M12		9 1/8" (231.8)	6 1/4" (158.7)	3 11/32" (84.9)	1250 (5.56)	66	(30.2)
200-6	6" (150)	1/2"-13	M12		10 1/8" (257.2)	6 3/4" (171.4)	2 7/32" (56.3)	1250 (5.56)	73	(33.4)
200-8	8" (200)	1/2"-13	M12		13 1/8" (333.4)	8 3/4" (222.2)	3 7/32" (81.7)	1250 (5.56)	136	(62.3)

All dimensions in charts and on drawings are in inches. Dimensions shown in parentheses are in millimeters unless otherwise specified.

Pipe Hangers

TOLCO Fig. 200H - Heavy Duty Band Hanger (For Trapeze)

Size Range: 2" (50mm) thru 4" (100mm) trapeze pipe size.

Material: Steel — Pre-Galvanized

Function: Designed primarily to support substantially heavier loads than is normally intended for the nominal hanger size. Used extensively to support trapeze installations and the increased loads from both above and below the trapeze assembly.

Features: Furnished with $\frac{3}{8}$ "-16 or $\frac{1}{2}$ "-13 adjusting threaded ring nut.

Approvals: Underwriters Laboratories listed in the USA (UL) and Canada (cUL). Conforms to Federal Specification WW-H-171E & A-A-1192A, Type 10 and Manufacturers Standardization Society ANSI/MSS SP-69 & SP-58, Type 10.

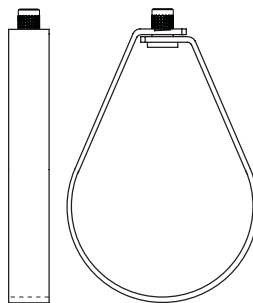
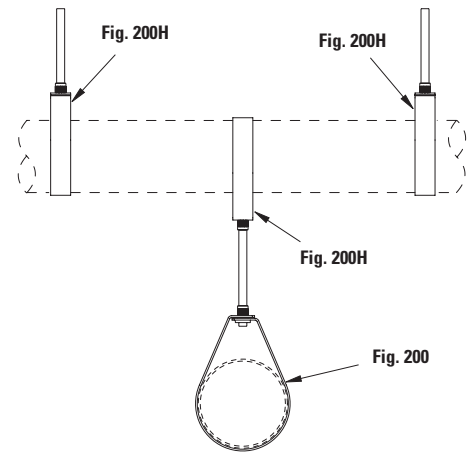
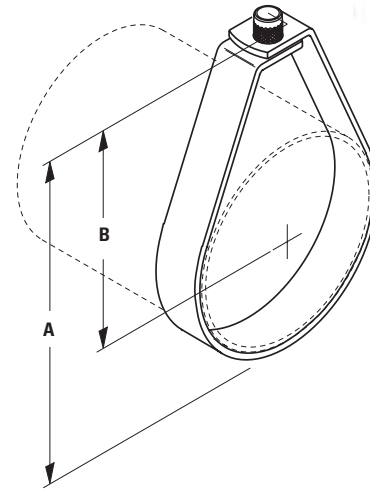
Maximum Temperature: 650°F (343°C)

Finish: Pre-Galvanized

Order By: Figure number, pipe size and rod size.

Important Design Note. Because of the increased loads applied to the trapeze assembly, both the upper trapeze supports as well as the lower hanging unit must be able to hold the maximum loads intended.

† If using metric rods the M8 rod size is not UL Listed



Part No.	Pipe Size in. (mm)	Rod Size	A in. (mm)	B in. (mm)	Approx. Wt./100 lbs. (kg)
200H-2- $\frac{3}{8}$	2" (50)	$\frac{3}{8}$ "-16†	$4\frac{9}{16}$ " (115.9)	$3\frac{7}{32}$ " (81.7)	48 (21.8)
200H-2- $\frac{1}{2}$	2" (50)	$\frac{1}{2}$ "-13	$4\frac{23}{32}$ " (119.8)	$3\frac{3}{8}$ " (85.7)	45 (20.4)
200H-2 $\frac{1}{2}$ - $\frac{3}{8}$	2 $\frac{1}{2}$ " (65)	$\frac{3}{8}$ "-16†	$5\frac{5}{16}$ " (134.9)	$3\frac{23}{32}$ " (94.4)	59 (26.7)
200H-2 $\frac{1}{2}$ - $\frac{1}{2}$	2 $\frac{1}{2}$ " (65)	$\frac{1}{2}$ "-13	$5\frac{15}{32}$ " (138.9)	$3\frac{7}{8}$ " (98.3)	56 (25.4)
200H-3- $\frac{3}{8}$	3" (75)	$\frac{3}{8}$ "-16†	$5\frac{3}{4}$ " (146.0)	$3\frac{27}{32}$ " (97.6)	63 (28.6)
200H-3- $\frac{1}{2}$	3" (75)	$\frac{1}{2}$ "-13	$5\frac{7}{8}$ " (148.1)	$3\frac{31}{32}$ " (100.8)	60 (27.2)
200H-4- $\frac{3}{8}$	4" (100)	$\frac{3}{8}$ "-16†	$6\frac{7}{8}$ " (174.6)	$4\frac{7}{16}$ " (112.7)	76 (34.5)
200H-4- $\frac{1}{2}$	4" (100)	$\frac{1}{2}$ "-13	$7\frac{1}{32}$ " (178.6)	$4\frac{19}{32}$ " (116.7)	73 (33.1)

Select trapeze pipe size based on section modulus required for span of trapeze per information provided in NFPA 13.

All sizes are UL Listed to support up to 8" pipe at max spacing per NFPA 13.

For 6" (150mm) and 8" (200mm) trapeze pipe, consult factory.

All dimensions in charts and on drawings are in inches. Dimensions shown in parentheses are in millimeters unless otherwise specified.

B3198H - Hinged Extension Split Pipe Clamp

Size Range: 3/8" (10mm) to 3" (80mm) pipe

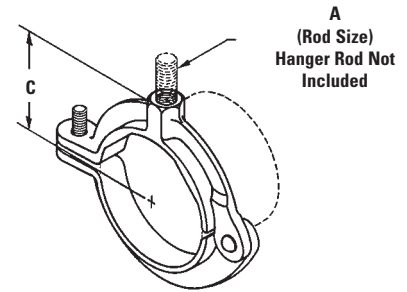
Material: Malleable Iron

Function: Designed for suspending non-insulated pipe horizontally or vertically.

Approvals: Conforms to Federal Specification WW-H-171E & A-A-1192A, Type 25 and Manufacturers Standardization Society ANSI/MSS SP-69 & SP-58, Type 12.

Standard Finish: Plain or Electro-Galvanized

Order By: Figure number and finish.



Part No.	Pipe Size		Rod Size		C	Design Load		Approx. Wt./100		
	in.	(mm)	A			in.	(mm)	Lbs.	kN	Lbs.
B3198H-3/8	3/8"	(10)	3/8"-16		31/32"	(24.6)	180	(.80)	9	(4.1)
B3198H-1/2	1/2"	(15)	3/8"-16		11/16"	(27.0)	180	(.80)	12	(5.4)
B3198H-3/4	3/4"	(20)	3/8"-16		17/32"	(30.9)	180	(.80)	12	(5.4)
B3198H-1	1"	(25)	3/8"-16		111/32"	(34.1)	180	(.80)	13	(5.9)
B3198H-11/4	11/4"	(32)	3/8"-16		119/32"	(39.7)	180	(.80)	18	(8.1)
B3198H-11/2	11/2"	(40)	3/8"-16		123/32"	(43.6)	180	(.80)	21	(9.5)
B3198H-2	2"	(50)	3/8"-16		2"	(50.8)	180	(.80)	44	(19.9)
B3198H-21/2	21/2"	(65)	1/2"-13		211/32"	(59.5)	300	(1.33)	73	(33.1)
B3198H-3	3"	(80)	1/2"-13		223/32"	(69.0)	300	(1.33)	95	(43.1)



B3198HCT - Hinged Extension Split Pipe Clamp

Size Range: 1/2" (15mm) to 2" (50mm) copper tubing

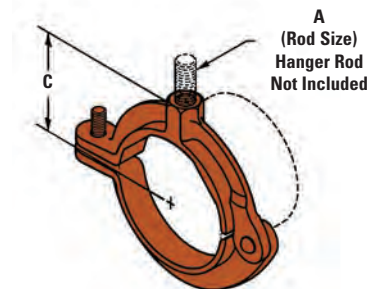
Material: Malleable Iron

Function: A rigid support to suspend tubing horizontally or vertically.

Approvals: Conforms to Federal Specification WW-H-171E & A-A-1192A, Type 25 and Manufacturers Standardization Society ANSI/MSS SP-69 & SP-58, Type 12.

Standard Finish: DURA-COPPER™

Order By: Figure number and finish.



Part No.	Tubing Size		Rod Size		C	Design Load		Approx. Wt./100		
	in.	(mm)	A			in.	(mm)	Lbs.	(kN)	Lbs.
B3198HCT-1/2	1/2"	(15)	3/8"-16		5/8"	(15.9)	180	(.80)	8	(3.6)
B3198HCT-3/4	3/4"	(20)	3/8"-16		13/16"	(20.6)	180	(.80)	10	(4.5)
B3198HCT-1	1"	(25)	3/8"-16		15/16"	(23.8)	180	(.80)	10	(4.5)
B3198HCT-11/4	11/4"	(32)	3/8"-16		11/8"	(28.6)	180	(.80)	14	(6.3)
B3198HCT-11/2	11/2"	(40)	3/8"-16		19/16"	(39.7)	180	(.80)	18	(8.1)
B3198HCT-2	2"	(50)	3/8"-16		17/8"	(47.6)	180	(.80)	23	(10.4)

All dimensions in charts and on drawings are in inches. Dimensions shown in parentheses are in millimeters unless otherwise specified.

Pipe Hangers

TOLCO Fig. 120 - "U" Hanger

Size Range: Size $\frac{3}{4}$ " (20mm) thru 8" (200mm) pipe

Material: Steel

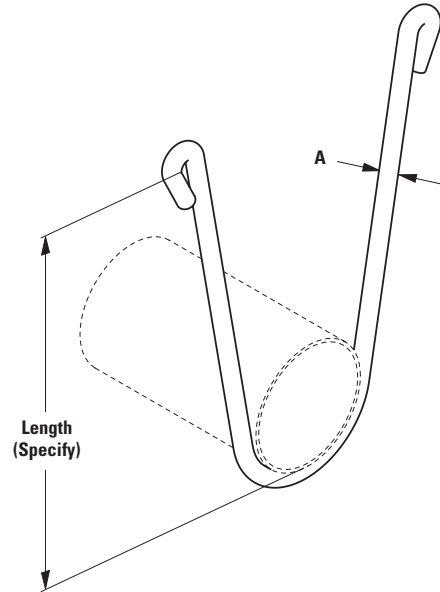
Function: Used to support piping from wood beams where no contraction is expected. Used extensively in automatic fire sprinkler systems.

Approvals: Complies with requirements of National Fire Protection Association (NFPA), Pamphlet 13.

Maximum Temperature: 750°F (399°C)

Finish: Plain. Contact customer service for alternative finishes and materials.

Order By: Figure number, pipe size, length and finish



Part No.	Pipe Size in. (mm)	A in. (mm)	Fastener Size
120- $\frac{3}{4}$	$\frac{3}{4}$ " (20)	$\frac{5}{16}$ " (7.9)	16 x 2*
120-1	1" (25)	$\frac{5}{16}$ " (7.9)	16 x 2*
120-1 $\frac{1}{4}$	1 $\frac{1}{4}$ " (32)	$\frac{5}{16}$ " (7.9)	16 x 2*
120-1 $\frac{1}{2}$	1 $\frac{1}{2}$ " (40)	$\frac{5}{16}$ " (7.9)	16 x 2*
120-2	2" (50)	$\frac{5}{16}$ " (7.9)	16 x 2*
120-2 $\frac{1}{2}$	2 $\frac{1}{2}$ " (65)	$\frac{3}{8}$ " (9.5)	$\frac{3}{8}$ x 2 $\frac{1}{2}$ **
120-3	3" (80)	$\frac{3}{8}$ " (9.5)	$\frac{3}{8}$ x 2 $\frac{1}{2}$ **
120-3 $\frac{1}{2}$	3 $\frac{1}{2}$ " (90)	$\frac{3}{8}$ " (9.5)	$\frac{3}{8}$ x 2 $\frac{1}{2}$ **
120-4	4" (100)	$\frac{3}{8}$ " (9.5)	$\frac{1}{2}$ x 3**
120-5	5" (125)	$\frac{1}{2}$ " (12.7)	$\frac{1}{2}$ x 3**
120-6	6" (150)	$\frac{1}{2}$ " (12.7)	$\frac{1}{2}$ x 3**
120-8	8" (200)	$\frac{1}{2}$ " (12.7)	$\frac{5}{8}$ x 3**

* Drive Screw

** Lag Bolt

Note: 30° leg style for some sizes. Consult factory for availability.

All dimensions in charts and on drawings are in inches. Dimensions shown in parentheses are in millimeters unless otherwise specified.

TOLCO Fig. 120MJ - Mutt & Jeff "U" Hanger

Size Range: Size 3/4" (20mm) thru 8" (200mm) pipe

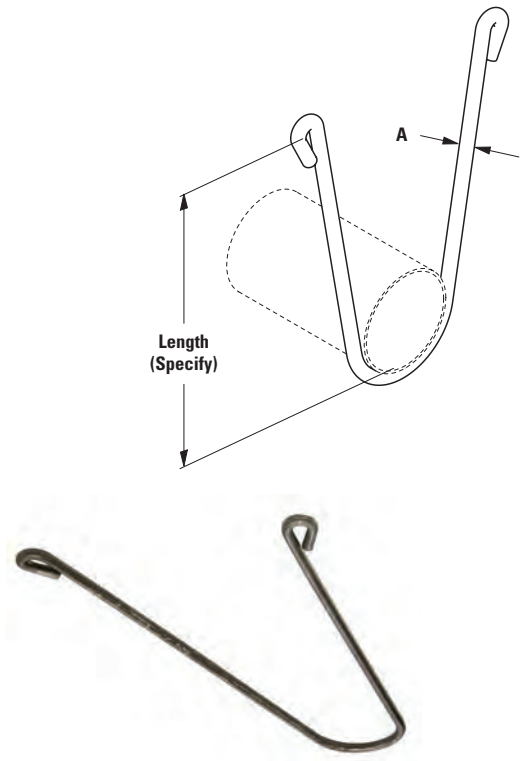
Material: Steel

Function: Used to support piping from wood beams where no contraction is expected. Used extensively in automatic fire sprinkler systems. Fig. 120MJ is used when the wood beam is on a diagonal.

Finish: Plain. Contact customer service for alternative finishes and materials.

Order By: Figure number, side length and finish

Part No.	Pipe Size		A		Fastener Size
	in.	(mm)	in.	(mm)	
120MJ-3/4	3/4"	(20)	5/16"	(7.9)	16 x 2*
120MJ-1	1"	(25)	5/16"	(7.9)	16 x 2*
120MJ-1 1/4	1 1/4"	(32)	5/16"	(7.9)	16 x 2*
120MJ-1 1/2	1 1/2"	(40)	5/16"	(7.9)	16 x 2*
120MJ-2	2"	(50)	5/16"	(7.9)	16 x 2*
120MJ-2 1/2	2 1/2"	(65)	3/8"	(9.5)	3/8 x 2 1/2**
120MJ-3	3"	(80)	3/8"	(9.5)	3/8 x 2 1/2**
120MJ-3 1/2	3 1/2"	(90)	3/8"	(9.5)	3/8 x 2 1/2**
120MJ-4	4"	(100)	3/8"	(9.5)	1/2 x 3**
120MJ-5	5"	(125)	1/2"	(12.7)	1/2 x 3**
120MJ-6	6"	(150)	1/2"	(12.7)	1/2 x 3**
120MJ-8	8"	(200)	1/2"	(12.7)	5/8 x 3**



* Drive Screw
** Lag Bolt

TOLCO Fig. 120W - Wrap Around "U" Hanger

Size Range: Size 3/4" (20mm) thru 2" (50mm) pipe

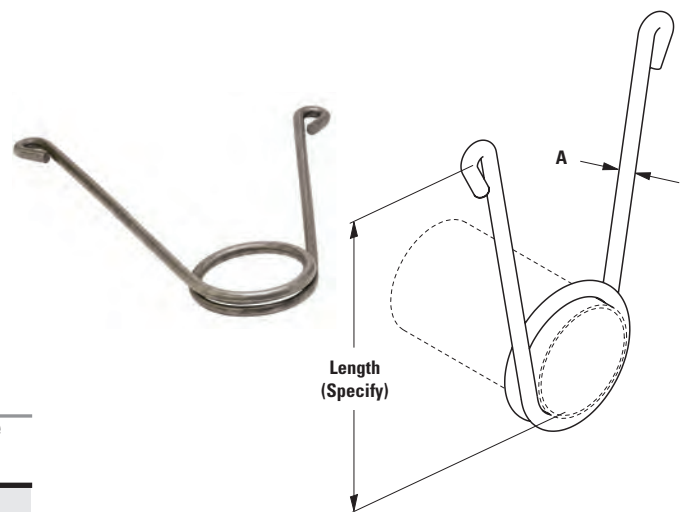
Material: Steel

Function: Required for automatic fire protection agencies to be used on the end of branch lines to prevent pipe from whipping vertical and striking ceiling or beam.

Finish: Plain. Contact customer service for alternative finishes and materials.

Order By: Figure number, side length and finish

Part No.	Pipe Size		A		Fastener Size
	in.	(mm)	in.	(mm)	
120W-3/4	3/4"	(20)	5/16"	(7.9)	16 x 2*
120W-1	1"	(25)	5/16"	(7.9)	16 x 2*
120W-1 1/4	1 1/4"	(32)	5/16"	(7.9)	16 x 2*
120W-1 1/2	1 1/2"	(40)	5/16"	(7.9)	16 x 2*
120W-2	2"	(50)	5/16"	(7.9)	16 x 2*



* Drive Screw

Note: 30° leg style for some sizes. Consult factory for availability.

All dimensions in charts and on drawings are in inches. Dimensions shown in parentheses are in millimeters unless otherwise specified.

Pipe Hangers

TOLCO Fig. 120RWA - (Model B) Retrofit Wrap Around "U" Hanger Clamp

Size Range: 1" (25mm) thru 6" (150mm) pipe

Material: Steel

Function: Designed to restrain movement of the pipe within standard U-hangers as required by NFPA 13. Where retrofit capability is crucial, the Fig. 120RWA is a labor efficient alternative to the standard B-Line series Fig. 120W wrap around U-hanger. Fig. 120RWA can also be used in new installations.

Features Installs easily by tightening two hex nuts. Features a unique bracing slot that locks onto a standard U-hanger to become a solid unit that will stabilize the pipe during seismic activity or sprinkler head activation. Designed to be used in retrofit or new construction applications. Will clamp to existing U-Hangers without restriction to leg angle.

Approvals: Underwriters Laboratories listed in the USA (**UL**) and Canada (**cUL**) as a restrainer. NFPA 13 (2016) 9.3.6.3.

Finish: Plain and Galvanized. Contact customer service for alternative finishes and materials.

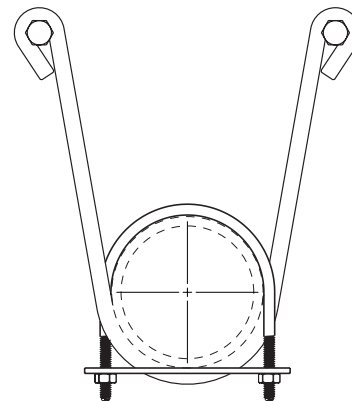
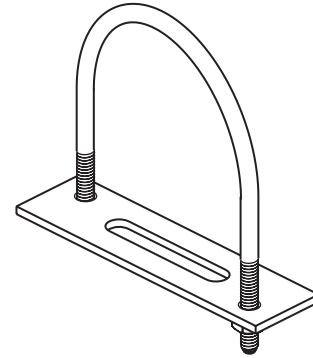
Order By: Figure number, type numbers and pipe size

Ordering Note: Order by the following type and pipe size:

- Type 1 — (1" (25mm) and 1 1/4" (32mm) pipe size)
- Type 2 — (1 1/2" (40mm) and 2" (50mm) pipe size)
- Type 3 — (2 1/2" (65mm) and 3" (80mm) pipe size)
- Type 4 — (4" (100mm) pipe size)
- Type 6 — (5" (125mm) and 6" (150mm) pipe size)

Important Note: The bracing slot feature is sized to fit the U-Hanger rod schedule as required by NFPA 13 as follows:

- 5/16" (7.9mm) rod for up to 2" (50mm) pipe
 - 3/8" (9.5mm) rod for 2 1/2" (65mm) - 6" (160mm) pipe
- For other rod size requirements consult factory.



Part No.	Type	Pipe Size in. (mm)
120RWA-TYPE1-1	1	1" (25)
120RWA-TYPE1-1 1/4	1	1 1/4" (32)
120RWA-TYPE2-1 1/2	2	1 1/2" (40)
120RWA-TYPE2-2	2	2" (50)
120RWA-TYPE3-2 1/2	3	2 1/2" (65)
120RWA-TYPE3-3	3	3" (80)
120RWA-TYPE4-3 1/2	4	3 1/2" (90)
120RWA-TYPE4-4	4	4" (100)
120RWA-TYPE6-5	6	5" (125)
120RWA-TYPE6-6	6	6" (150)

All dimensions in charts and on drawings are in inches. Dimensions shown in parentheses are in millimeters unless otherwise specified.

B3373 - Standard Riser Clamp B3373C - PVC Coated Standard Riser Clamp

Size Range: (B3373) 1/2" (15mm) thru 30" (760mm) pipe
(B3373C) 1/2" (15mm) thru 6" (150mm) pipe

Material: Steel

Function: Used for supporting vertical piping.

Approvals: Underwriters Laboratories Listed in the USA (**UL**), Canada (**cUL**) 3/4" (20mm) - 8" (200mm). Factory Mutual Engineering Approved (**FM**), 3/4" (20mm) thru 8" (200mm). Conforms to Federal Specification WW-H-171E & A-A-1192A, Type 8, and Manufacturers Standardization Society ANSI/MSS SP-69 & SP-58, Type 8.

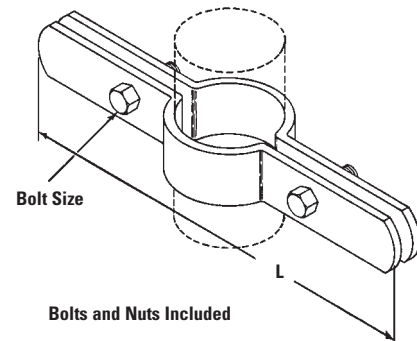
Maximum Temperature: 650°F (343°C)

Finish: Plain. Contact customer service for alternative finishes and materials.

Order By:

Figure number, pipe size and finish.

Designed to meet or exceed requirements of FM DS 2-0.



B3373C



Part No.	Pipe Size in. (mm)	L in. (mm)	Bolt Size	Approx. Wt./100 Lbs. (kg)
B3373-1/2	1/2" (15)	9" (228.6)	3/8"-16 x 1 1/4"	101 (45.9)
B3373-3/4	3/4" (20)	9 1/4" (234.9)	3/8"-16 x 1 1/4"	105 (47.7)
B3373-1	1" (25)	9 9/16" (242.9)	3/8"-16 x 1 1/4"	109 (49.4)
B3373-1 1/4	1 1/4" (32)	10" (254.0)	3/8"-16 x 1 1/4"	112 (50.9)
B3373-1 1/2	1 1/2" (40)	10 1/4" (260.3)	3/8"-16 x 1 1/2"	113 (51.1)
B3373-2	2" (50)	10 3/4" (273.0)	3/8"-16 x 1 1/2"	165 (75.0)
B3373-2 1/2	2 1/2" (65)	11 1/4" (285.7)	3/8"-16 x 1 1/2"	180 (81.6)
B3373-3	3" (80)	11 15/16" (303.2)	3/8"-16 x 1 1/2"	195 (88.4)
B3373-3 1/2	3 1/2" (90)	12 3/8" (314.3)	1/2"-13 x 1 3/4"	217 (98.5)
B3373-4	4" (100)	12 7/8" (327.0)	1/2"-13 x 1 3/4"	228 (103.5)
B3373-5	5" (125)	14" (355.6)	1/2"-13 x 1 3/4"	480 (217.7)
B3373-6	6" (150)	15 3/16" (385.8)	1/2"-13 x 2"	526 (238.6)
B3373-8	8" (200)	17 3/4" (450.8)	5/8"-11 x 2 1/2"	957 (434.1)
B3373-10	10" (250)	19 7/16" (493.7)	5/8"-11 x 2 1/2"	1101 (499.4)
B3373-12	12" (300)	21 11/16" (550.9)	5/8"-11 x 3"	1622 (735.7)
B3373-14	14" (350)	23 9/16" (598.5)	5/8"-11 x 3"	1732 (785.6)

Notes: For ductile iron (D.I.) pipe use part number B3373DI-pipe size. Contact B-Line Engineering for more information.

For larger sizes, consult the full line pipe hanger catalog.

All dimensions in charts and on drawings are in inches. Dimensions shown in parentheses are in millimeters unless otherwise specified.

Pipe Clamps

B3140 - Standard Pipe Clamp

B3140C - Standard Pipe Clamp PVC Coated

B3140F - Standard Pipe Clamp Felt Lined



Size Range: B3140/B3140C Size 1/2" (15mm) thru 12" (300mm) pipe.

Material: Steel

Function: Recommended for the suspension of non-insulated pipe or insulated pipe with B3151 shields. (Use B3200 weldless eye nut, B3210 eye rod or B3211 welded eye rod.) B3140F and B3140C are designed to help reduce noise and vibration and/or prevent electrolysis.

Approvals: Underwriters Laboratories Listed in the USA (UL), Canada (cUL) 3/4" (20mm) - 12" (300mm), and approved by Factory Mutual Engineering (FM), 3/4" (20mm) - 8" (200mm). Federal Specification WW-H-171E & A-A-1192A, Type 4, and Manufacturers Standardization Society ANSI/MSS SP-69 & SP-58, Type 4.

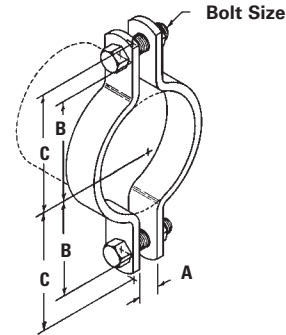
Note: For piping that requires sway bracing refer to Fig. 4A.

Maximum Temperature: — 750°F (399°C)

Finish: Plain. Contact customer service for alternative finishes and materials.

Order By: Figure number, pipe size and finish.

Order Note: When ordering B3140F allow for 3/16" (4.8mm) felt on each half of clamp.



Designed to meet or exceed requirements of FM DS 2-0.



B3140



B3140C



B3140F

Part No.	Pipe Size	A		B		C		Bolt Size	Approx. Wt./100 lbs. (kg)
	in. (mm)	in. (mm)	in. (mm)	in. (mm)	in. (mm)	in. (mm)			
B3140-1/2	1/2" (15)	3/8" (9.5)	3 1/32" (24.6)	1 17/32" (38.9)	5/16"-18	30 (13.6)			
B3140-3/4	3/4" (20)	9/16" (14.3)	1 3/32" (27.8)	1 21/32" (42.0)	5/16"-18	31 (14.0)			
B3140-1	1" (25)	9/16" (14.3)	1 5/16" (33.3)	1 7/8" (47.6)	5/16"-18	33 (14.5)			
B3140-1 1/4	1 1/4" (32)	1 7/32" (13.5)	1 7/16" (36.5)	2" (50.8)	5/16"-18	39 (17.7)			
B3140-1 1/2	1 1/2" (40)	1 9/32" (15.1)	1 21/32" (42.0)	2 1/32" (56.4)	5/16"-18	41 (18.6)			
B3140-2	2" (50)	9/16" (14.3)	2 1/8" (54.0)	2 3/4" (69.8)	1/2"-13	118 (53.5)			
B3140-2 1/2	2 1/2" (65)	5/8" (15.9)	2 21/32" (67.5)	3 3/32" (83.3)	1/2"-13	130 (58.9)			
B3140-3	3" (75)	5/8" (15.9)	2 15/16" (74.6)	3 9/16" (90.5)	1/2"-13	150 (68.0)			
B3140-3 1/2	3 1/2" (90)	5/8" (15.9)	3 5/32" (80.1)	3 25/32" (96.0)	1/2"-13	158 (71.6)			
B3140-4	4" (100)	3/4" (19.0)	3 9/16" (90.5)	4 5/16" (109.5)	5/8"-11	239 (108.4)			
B3140-5	5" (125)	3/4" (19.0)	4 1/8" (104.8)	4 7/8" (123.8)	5/8"-11	272 (123.4)			
B3140-6	6" (150)	7/8" (22.2)	4 15/16" (125.4)	5 9/16" (147.6)	3/4"-10	541 (245.4)			
B3140-8	8" (200)	1" (25.4)	6 1/16" (154.0)	6 5/16" (176.2)	3/4"-10	642 (291.2)			
B3140-10	10" (250)	1" (25.4)	7 3/8" (187.3)	8 1/16" (220.7)	7/8"-9	1366 (619.6)			
B3140-12	12" (300)	1" (25.4)	8 7/16" (214.3)	9 3/4" (247.6)	7/8"-9	1543 (699.9)			

All dimensions in charts and on drawings are in inches. Dimensions shown in parentheses are in millimeters unless otherwise specified.

B2400 - Standard Pipe Strap

Size Range: 1/2" (15mm) thru 24" (600mm) pipe

Material: Steel

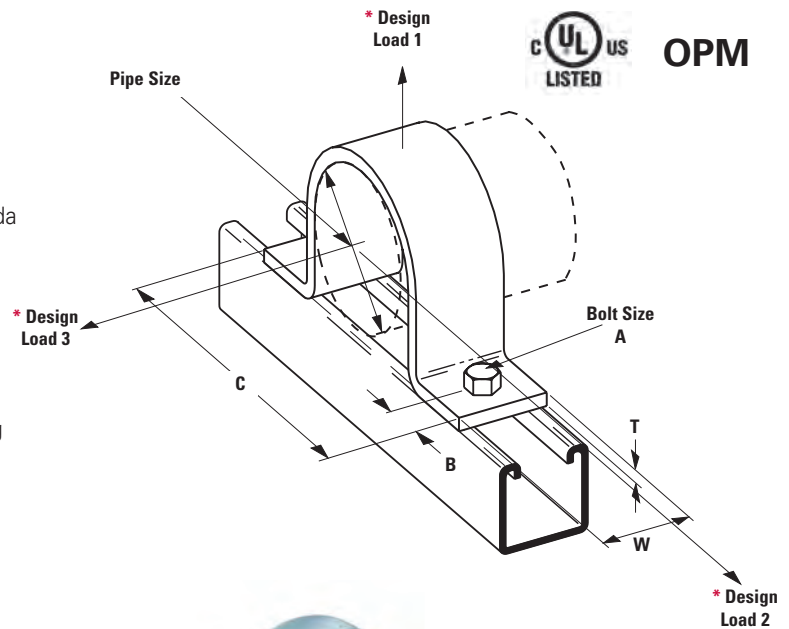
Function: Designed for supporting pipe runs from strut supports.

Approvals: Underwriters Laboratories Listed (UL), Canada (cUL) for B2400-3/4" thru B2400-8". Conforms to Federal Specification WW-H-171E & A-A-1192A, Type 26 and Manufacturers Standardization Society ANSI/MSS SP-69 & SP-58, Type 26. Included in our Seismic Engineering Guidelines approved by the State of California Office of Statewide Health Planning and Development (OSHPD). For additional load, spacing and placement information relating to OSHPD projects, please refer to our Seismic Engineering Guidelines OPM-0052-13

Finish: Electro-Galvanized. Contact customer service for alternative finishes and materials.

Order By: Figure number, pipe size and finish

Note: Ductile iron sizes available.
Special "B" dimensions available on request, consult factory.



Part No.	Pipe Size in. (mm)	A in. (mm)	B in. (mm)	C in. (mm)	T in. (mm)	W in. (mm)
B2400-1/2	1/2" (15)	5/16" (7.9)	7/16" (11.1)	2 ¹³ / ₁₆ " (71.4)	10 Ga. (3.4)	1 ⁵ / ₈ " (41.3)
B2400-3/4	3/4" (20)	5/16" (7.9)	7/16" (11.1)	3" (76.2)	10 Ga. (3.4)	1 ⁵ / ₈ " (41.3)
B2400-1	1" (25)	5/16" (7.9)	7/16" (11.1)	3 ¹⁷ / ₃₂ " (89.7)	10 Ga. (3.4)	1 ⁵ / ₈ " (41.3)
B2400-1 1/4	1 1/4" (32)	5/16" (7.9)	7/16" (11.1)	3 3/4" (95.2)	10 Ga. (3.4)	1 ⁵ / ₈ " (41.3)
B2400-1 1/2	1 1/2" (40)	5/16" (7.9)	7/16" (11.1)	4 1/16" (103.2)	10 Ga. (3.4)	1 ⁵ / ₈ " (41.3)
B2400-2	2" (50)	7/16" (11.1)	1 1/16" (17.4)	5 21/32" (143.6)	1/4" (6.3)	1 ⁵ / ₈ " (41.3)
B2400-2 1/2	2 1/2" (65)	7/16" (11.1)	1 1/16" (17.4)	6 5/32" (156.3)	1/4" (6.3)	1 ⁵ / ₈ " (41.3)
B2400-3	3" (80)	7/16" (11.1)	1 1/16" (17.4)	6 25/32" (172.2)	1/4" (6.3)	1 ⁵ / ₈ " (41.3)
B2400-3 1/2	3 1/2" (90)	7/16" (11.1)	1 1/16" (17.4)	7 9/32" (184.9)	1/4" (6.3)	1 ⁵ / ₈ " (41.3)
B2400-4	4" (100)	9/16" (14.3)	1 1/16" (17.4)	7 25/32" (197.6)	1/4" (6.3)	1 ⁵ / ₈ " (41.3)
B2400-5	5" (125)	9/16" (14.3)	1 1/16" (17.4)	8 7/8" (225.4)	1/4" (6.3)	1 ⁵ / ₈ " (41.3)
B2400-6	6" (150)	9/16" (14.3)	1 1/16" (17.4)	9 15/16" (252.4)	1/4" (6.3)	1 ⁵ / ₈ " (41.3)
B2400-8	8" (200)	9/16" (14.3)	1 1/16" (17.4)	11 31/32" (304.0)	1/4" (6.3)	1 ⁵ / ₈ " (41.3)

For larger sizes, consult the full line pipe hanger catalog.

* See OPM-0052-13 for design loads.

All dimensions in charts and on drawings are in inches. Dimensions shown in parentheses are in millimeters unless otherwise specified.

CPVC Clamps

TOLCO Fig. 22 - Hanger for CPVC Plastic Pipe & IPS Steel Pipe Single Fastener Strap



Size Range: 3/4" (20mm) thru 2" (50mm) CPVC pipe

Material: Pre-Galvanized Steel

Function: Intended to perform as a hanger to support CPVC piping used in automatic fire sprinkler systems. The product acts as a hanger when tab is upward and the fastener screw is in the horizontal position. Fig. 22 can be installed on the top of a beam, but in this situation acts as a guide to the piping which is supported by the beam itself. It is not intended to support CPVC pipe from under a flat horizontal surface, such as a ceiling.

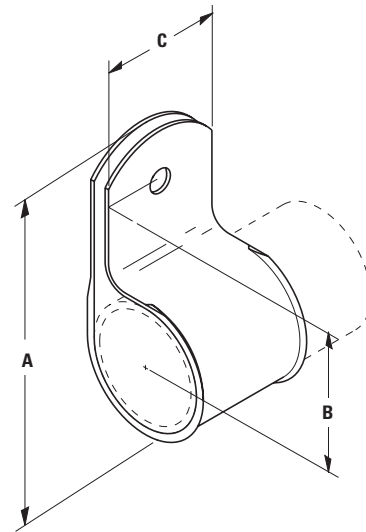
Approvals: Underwriters Laboratories Listed in the USA (UL) and Canada (cUL) to support fire sprinkler piping. May be installed in wood using fasteners supplied with product, or into minimum 20 gauge (0.9mm) steel using (1) 1/4" x 1" tek type screw. Meets and exceeds the requirements of NFPA 13, 13R and 13D.

Features: Fig. 22 incorporates features which protect the pipe and ease installation. The flared edge design protects CPVC pipe from any rough surface. It is easily attached to the building structure using the special UL Listed hex head self threading screw* furnished with the product. It is recommended that rechargeable electric drills fitted with a hex socket attachment to be used as installation tools. No impact tools (such as a hammer) are allowed. Damage has been known to result from installations using impact type tools. No pre-drilling of a pilot hole in wood is required.

Finish: Pre-Galvanized

Order By: Figure number and pipe size.

* Hardened hex head self threading screw is furnished with the product and is the minimum fastener size acceptable.



Part No.	CPVC Pipe Size in. (mm)	A in. (mm)	B in. (mm)	C in. (mm)	Max. Hanger Spacing Ft. (m)	Fastener Hex Head Size in. (mm)	Approx. Wt./100 Lbs. (kg)
22-3/4	3/4" (20)	2 7/16" (61.9)	1 5/16" (33.3)	1 3/16" (30.2)	5'-6" (1.67)	5/16" (7.9)	9 (4.1)
22-1	1" (25)	2 11/16" (68.3)	1 7/16" (36.5)	1 3/16" (30.2)	6'-0" (1.83)	5/16" (7.9)	9 (4.1)
22-1 1/4	1 1/4" (32)	3 1/16" (77.8)	1 5/8" (42.3)	1 3/16" (30.2)	6'-6" (1.98)	5/16" (7.9)	11 (5.0)
22-1 1/2	1 1/2" (40)	3 5/16" (84.1)	1 3/4" (44.4)	1 3/16" (30.2)	7'-0" (2.13)	5/16" (7.9)	12 (5.4)
22-2	2" (50)	3 3/4" (95.2)	2 1/8" (54.6)	1 3/16" (30.2)	8'-0" (2.44)	5/16" (7.9)	15 (6.8)

Reduced Spacing For IPS Pipe

Part No.	IPS Pipe Size in. (mm)	Max. Hanger Spacing Ft. (m)
22-3/4	3/4" (20)	1'-9" (1.67)
22-1	1" (25)	1'-10" (1.83)
22-1 1/4	1 1/4" (32)	2'-4" (1.98)
22-1 1/2	1 1/2" (40)	2'-9" (2.13)
22-2	2" (50)	3'-6" (2.44)

All dimensions in charts and on drawings are in inches. Dimensions shown in parentheses are in millimeters unless otherwise specified.

TOLCO Fig. 22L2 - One Hole Hanger/Restrainer for CPVC & Steel Pipe

Size Range: 3/4" (20mm) thru 2" (50mm) CPVC & steel pipe

Material: Pre-Galvanized Steel

Function: cULus Listed to perform as a hanger and restrainer for CPVC or IPS piping systems. The innovative design also allows for a preferred installation location close to a CPVC fitting without applying damaging compression forces on the pipe which could result in serious Mechanical ESC (Environmental Stress Cracking).

Approvals: Underwriters Laboratories Listed in the USA (**UL**) and Canada (**cUL**) to support fire sprinkler piping. Can be installed in wood or into minimum 20 gauge (0.9mm) steel using (1) 1/4" x 1" tek type screw. Meets and exceeds the requirements of NFPA 13, 13R and 13D.

Installation Note: Comes in open position for easier installation. Because of multi – structural installation possibilities, specific fastener not included; see notes below for various applications.

For Concrete Installation — UL requires a minimum test load of 340 lbs for CPVC hangers and 750 lbs for steel pipe hangers; verify anchors meet or exceed these requirements.

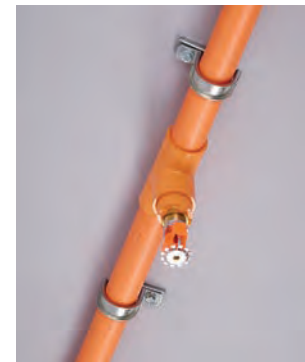
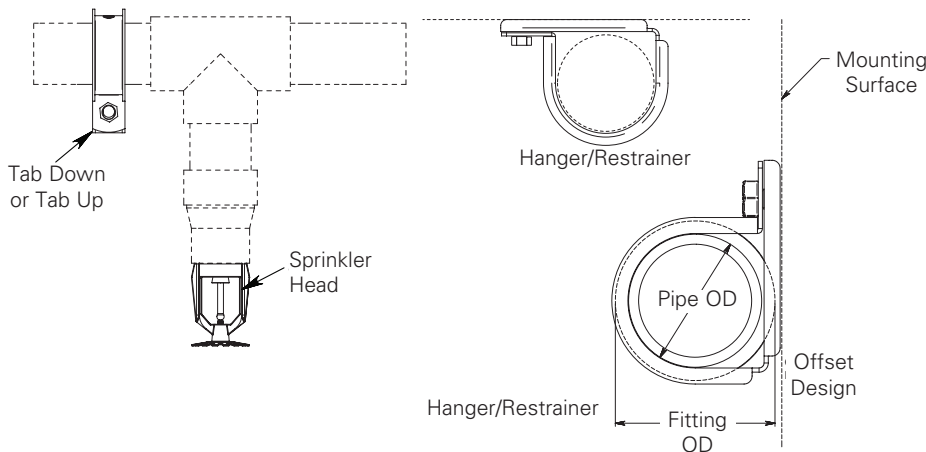
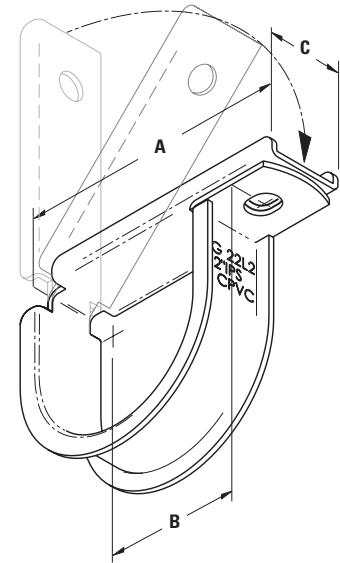
For Wood Installation — #14 x 1 1/2" wood screws will support the required load for **cULus**.

For Steel Installation — 1/4" x 1" (min. 20ga steel) Tek type screw will support required **UL** load.

Finish: Pre-Galvanized

Order By: Part number

Patent Pending



Part No.	CPVC or Steel Pipe Size in. (mm)	A in. (mm)	B in. (mm)	C in. (mm)	Max. Hanger Spacing - CPVC Ft. (m)	Max. Hanger Spacing - Steel Ft. (m)	Approx. Wt./100 Lbs. (kg)
22L2-3/4	3/4" (20)	2 3/16" (55.6)	1 5/16" (23.8)	3/4" (19.0)	5 1/2 (1.67)	NA (NA)	9 (4.1)
22L2-1	1" (25)	2 1/2" (63.5)	1 1/8" (28.6)	3/4" (19.0)	6 (1.83)	12 (3.66)	9 (4.1)
22L2-1 1/4	1 1/4" (32)	2 13/16" (71.4)	1 1/4" (31.7)	3/4" (19.0)	6 1/2 (1.98)	12 (3.66)	11 (5.0)
22L2-1 1/2	1 1/2" (40)	3 1/8" (79.4)	1 7/16" (36.5)	3/4" (19.0)	7 (2.13)	15 (4.57)	12 (5.4)
22L2-2	2" (50)	3 9/16" (90.5)	1 5/8" (41.3)	3/4" (19.0)	8 (2.44)	15 (4.57)	15 (6.8)

All dimensions in charts and on drawings are in inches. Dimensions shown in parentheses are in millimeters unless otherwise specified.

CPVC Clamps

TOLCO Fig. 23 - Hanger for CPVC Plastic Pipe & IPS Steel Pipe Double Fastener Strap (B-Line B3182)



Size Range: 3/4" (20mm) thru 3" (80mm) CPVC pipe

Material: Pre-Galvanized Steel

Function: Intended to perform as a hanger to support CPVC piping used in automatic fire sprinkler systems. Fig. 23 can be installed on the top, bottom or side of a beam.

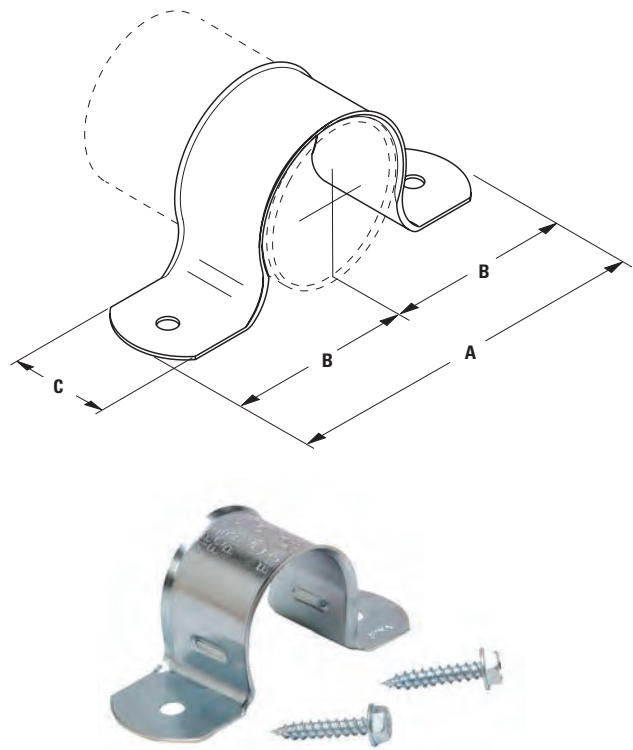
Approvals: Underwriters Laboratories Listed in the USA (UL) and Canada (cUL) sizes 3/4" (20mm) thru 2" (50mm) to support fire sprinkler piping. May be installed in wood using fasteners supplied with product, or into minimum 20 gauge (0.9mm) steel using (2) 1/4" x 1" tek type screw. Meets and exceeds the requirements of NFPA 13, 13R and 13D.

Features: Fig. 23 incorporates features which protect the pipe and ease installation. The flared edge design protects the CPVC pipe from any rough surface. It also incorporates snap restrainers allowing easier and faster installation. Easily attaches to the building structure using the two UL Listed hex head self threading screws* furnished with the product. It is recommended that rechargeable electric drills fitted with a hex socket attachment be used as installation tools. No impact tools (such as a hammer) are allowed. Damage has been known to result from installations using impact type tools. No pre-drilling of a pilot hole in wood is required.

Finish: Pre-Galvanized

Order By: Figure number and pipe size

* Hardened hex head self threading screw is furnished with the product and is the minimum fastener size acceptable.



Part No.	CPVC Pipe Size in. (mm)	A in. (mm)	B in. (mm)	C in. (mm)	Max. Hanger Spacing Ft. (m)	Fastener Hex Head Size in. (mm)	Approx. Wt./100 Lbs. (kg)
23-3/4	3/4" (20)	3 1/8" (79.4)	1 9/16" (39.7)	1 3/16" (30.2)	5 1/2 (1.67)	5/16" (7.9)	9 (4.1)
23-1	1" (25)	3 3/8" (85.7)	1 11/16" (42.9)	1 3/16" (30.2)	6 (1.83)	5/16" (7.9)	9 (4.1)
23-1 1/4	1 1/4" (32)	4 3/16" (106.4)	2 3/32" (53.1)	1 3/16" (30.2)	6 1/2 (1.98)	5/16" (7.9)	11 (5.0)
23-1 1/2	1 1/2" (40)	4 7/16" (112.7)	2 7/32" (56.3)	1 3/16" (30.2)	7 (2.13)	5/16" (7.9)	12 (5.4)
23-2	2" (50)	4 7/8" (123.8)	2 7/16" (61.9)	1 3/16" (30.2)	8 (2.44)	5/16" (7.9)	15 (6.8)
23-2 1/2	2 1/2" (65)	5 3/8" (136.5)	2 11/16" (68.3)	1 3/16" (30.2)	Consult Factory	5/16" (7.9)	22 (10.0)
23-3	3" (80)	6" (152.4)	3" (76.2)	1 3/16" (30.2)	Consult Factory	5/16" (7.9)	25 (11.3)

Reduced Spacing For IPS Pipe

Part No.	IPS Pipe Size in. (mm)	Max. Hanger Spacing Ft. (m)
23-3/4	3/4" (20)	1'-9" (1.67)
23-1	1" (25)	1'-10" (1.83)
23-1 1/4	1 1/4" (32)	2-4" (1.98)
23-1 1/2	1 1/2" (40)	2-9" (2.13)
23-2	2" (50)	3-6" (2.44)
23-2 1/2	2 1/2" (65)	Consult Factory
23-3	3" (80)	Consult Factory

All dimensions in charts and on drawings are in inches. Dimensions shown in parentheses are in millimeters unless otherwise specified.

**TOLCO Fig. 24 - Hanger for CPVC Plastic Pipe & IPS Steel Pipe
Double Fastener Strap Side Mounted (B-Line B3183)**



Size Range: 3/4" (20mm) thru 2" (50mm) CPVC pipe

Material: Pre-Galvanized Steel

Function: Intended to perform as a hanger to support CPVC piping used in automatic fire sprinkler systems. Can be installed on the top or on the bottom of a beam.

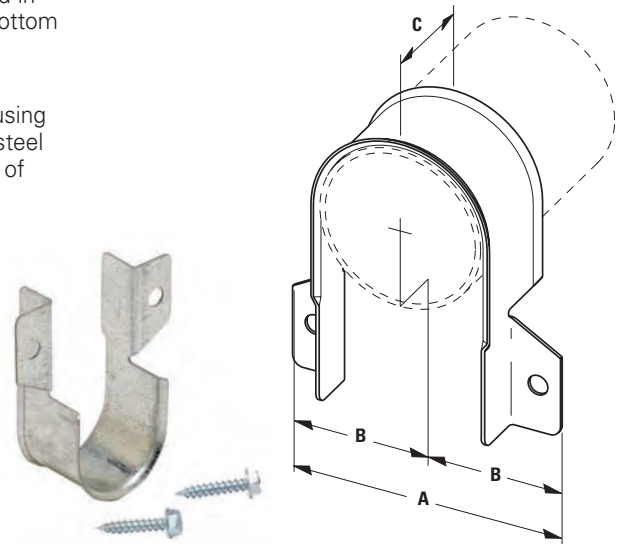
Approvals: Underwriters Laboratories Listed in the USA (UL) and Canada (cUL) to support fire sprinkler piping. May be installed in wood using fasteners supplied with product, or into minimum 20 gauge (0.912mm) steel using (2) 1/4" x 1" tek type screws. Meets and exceeds the requirements of NFPA 13, 13R and 13D.

Features: Fig. 24 incorporates features which protect the pipe and ease installation. The flared edge design protects the CPVC pipe from any rough surface. Easily attaches to the building structure using the two UL Listed hex head self threading screws* furnished with the product. It is recommended that rechargeable electric drills fitted with a hex socket attachment be used as installation tools. No impact tools (such as a hammer) are allowed. Damage has been known to result from installations using impact type tools. No pre-drilling of a pilot hole in wood is required.

Finish: Pre-Galvanized

Order By: Figure number and pipe size

* Hardened hex head self threading screw is furnished with the product and is the minimum fastener size acceptable.



Part No.	CPVC Pipe Size in. (mm)	A in. (mm)	B in. (mm)	C in. (mm)	Max. Hanger Spacing Ft. (m)	Fastener Hex Head Size in. (mm)	Approx. Wt./100 Lbs. (kg)
24-3/4	3/4" (20)	2 ⁵ / ₁₆ " (58.7)	1 ⁵ / ₃₂ " (27.8)	1 ³ / ₁₆ " (30.2)	5 ¹ / ₂ (1.67)	5/16" (7.9)	9 (4.1)
24-1	1" (25)	2 ⁵ / ₈ " (66.7)	1 ⁵ / ₁₆ " (33.3)	1 ³ / ₁₆ " (30.2)	6 (1.83)	5/16" (7.9)	9 (4.1)
24-1 ¹ / ₄	1 ¹ / ₄ " (32)	3" (76.2)	1 ¹ / ₂ " (38.1)	1 ³ / ₁₆ " (30.2)	6 ¹ / ₂ (1.98)	5/16" (7.9)	11 (5.0)
24-1 ¹ / ₂	1 ¹ / ₂ " (40)	3 ¹ / ₄ " (82.5)	1 ⁵ / ₈ " (42.3)	1 ³ / ₁₆ " (30.2)	7 (2.13)	5/16" (7.9)	12 (5.4)
24-2	2" (50)	3 ¹¹ / ₁₆ " (93.7)	1 ²⁷ / ₃₂ " (43.6)	1 ³ / ₁₆ " (30.2)	8 (2.44)	5/16" (7.9)	15 (6.8)

Reduced Spacing For IPS Pipe

Part No.	IPS Pipe Size in. (mm)	Max. Hanger Spacing Ft. (m)
24-3/4	3/4" (20)	1'-9" (1.67)
24-1	1" (25)	1'-10" (1.83)
24-1 ¹ / ₄	1 ¹ / ₄ " (32)	2-4" (1.98)
24-1 ¹ / ₂	1 ¹ / ₂ " (40)	2-9" (2.13)
24-2	2" (50)	3-6" (2.44)

All dimensions in charts and on drawings are in inches. Dimensions shown in parentheses are in millimeters unless otherwise specified.

CPVC Clamps

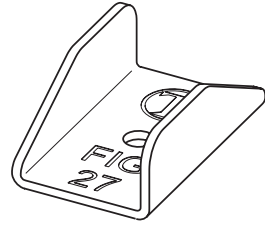
TOLCO Fig. 27B - Speed Nut

Size Range: — Fits screws supplied with all CPVC hangers.

Material: — Steel

Finish: — Pre-Galvanized (Zinc)

Function: — To be used anywhere a screw cannot achieve full embedment due to thickness of wood structural material when installed. Fig. 27B allows full pull out load capacity of screws when installed to the standard screws supplied with all CPVC hangers (Fig. 22, Fig. 22L2, Fig. 23, Fig. 24, Fig. 28, Fig. 28M, Fig. 29, and B3184).



Part No.	Approx. Wt./100	
	lbs.	(kg)
27B	1.2	(0.5)



Fig. 27B
(1) Required High Side of Hanger Application

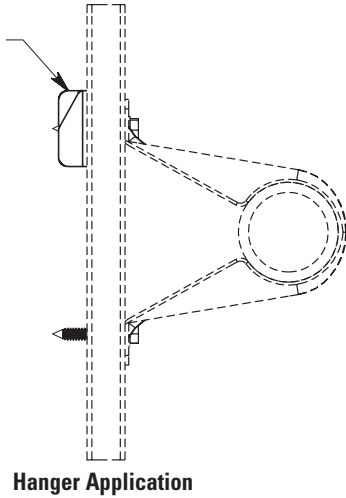


Fig. 27B
(2) Required

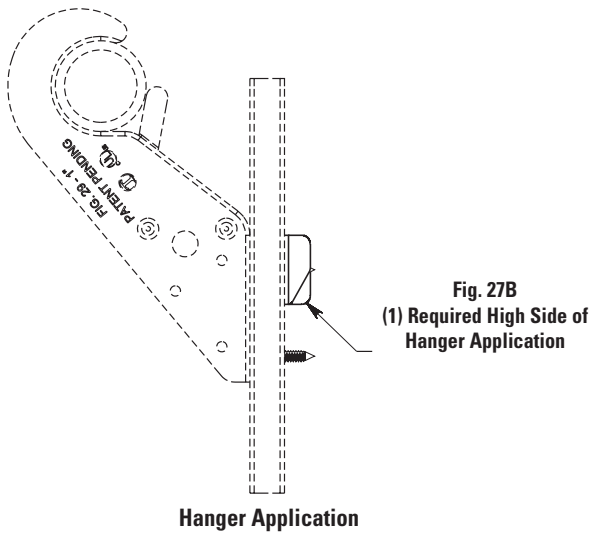
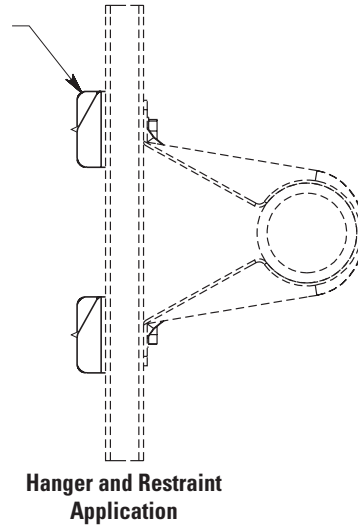
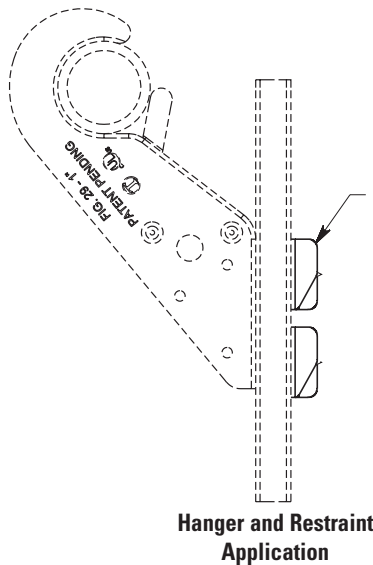


Fig. 27B
(2) Required



TOLCO Fig. 28 - "Stand-Off" Hanger & Restrainer for CPVC Plastic Pipe & IPS Steel Pipe

Size Range: — 3/4" (20mm) through 2" (50mm)

Material: — Steel, Pre-Galvanized

Function: — Designed to be used as a hanger and restrainer for CPVC piping where the "stand-off" design will ease installation by eliminating the need for wood blocking.

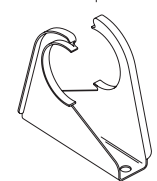
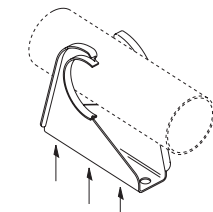
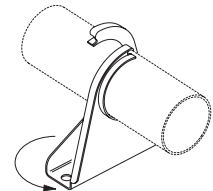
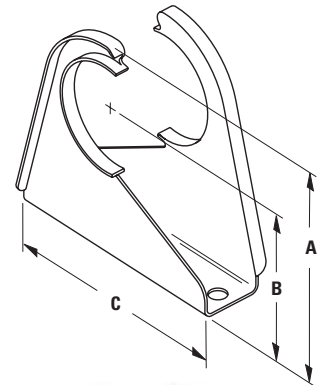
Features:

- Flared edge design protects CPVC pipe from any rough or abrasive surfaces.
- Unique twist and lock design holds pipe firmly in place and allows retrofit type of installation.
- The "Stand-Off" design eliminates the need for wood block extension.
- Can be installed on horizontal or vertical piping regardless of mounting surface orientation.
- Attaches easily to wood structure with two hex head self-threading screws furnished with product.
- Installs easily using rechargeable electrical driver with 5/16" (7.9mm) extension socket eliminating impact tool damage to pipe.
- Attaches easily to steel, minimum 18 gauge (1.024mm) with (2) 1/4" x 1" tek type self drilling tapping screws.
- UL Listed as a hanger and a restrainer for fire sprinkler piping.

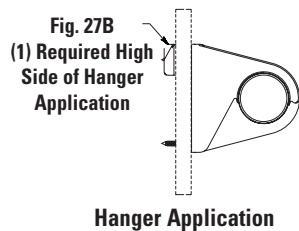
Approvals: — Underwriters Laboratory Listed in the USA (UL) and Canada (cUL) to support automatic fire sprinkler systems. May be installed into wood using fasteners supplied with product, or into minimum 18 gauge steel using (2) 1/4" x 1" tek type screws. Meets and exceeds the requirements of NFPA 13, 13R and 13D. Fig. 28 satisfies the UL vertical restraint requirement where needed. UL Listed as a hanger and vertical restraint when installed on 3/8" (9.5mm) composite wood material. Use two Fig. 27B (page 36) Speed Nuts when used as a hanger and restraint. Use one Fig. 27B Speed Nut on the upper installed screw when used as a hanger only.

Order by: — Figure number and pipe size.

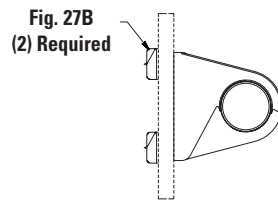
Pat. # 7,455,268, Pat. # 7,832,248



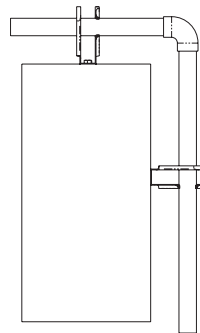
CPVC Clamps



Hanger Application



Hanger and Restraint Application



Part No.	CPVC Pipe Size in. (mm)	A in. (mm)	B in. (mm)	C in. (mm)	Max Hanger Spacing Ft. (m)	Approx. Wt./100 lbs. (kg)
28-3/4	3/4" (20)	3 1/32" (77.0)	2" (50.8)	3 1/2" (88.9)	5 1/2 (1.67)	18 (8.1)
28-1	1" (25)	3 5/16" (84.1)	2 3/16" (55.6)	3 1/2" (88.9)	6 (1.83)	21 (9.5)
28-1 1/4	1 1/4" (32)	3 3/8" (92.1)	2 3/8" (60.3)	3 1/2" (88.9)	6 1/2 (1.98)	23 (10.4)
28-1 1/2	1 1/2" (40)	4" (101.6)	2 1/2" (63.5)	3 1/2" (88.9)	7 (2.13)	31 (14.0)
28-2	2" (50)	4 1/2" (114.3)	2 11/16" (68.3)	3 5/8" (92.1)	8 (2.44)	34 (15.4)

Reduced Spacing For IPS Pipe

Part No.	IPS Pipe Size in. (mm)	Max. Hanger Spacing Ft. (m)
28-3/4	3/4" (20)	1'-9" (1.67)
28-1	1" (25)	1'-10" (1.83)
28-1 1/4	1 1/4" (32)	2'-4" (1.98)
28-1 1/2	1 1/2" (40)	2'-9" (2.13)
28-2	2" (50)	3'-6" (2.44)

All dimensions in charts and on drawings are in inches. Dimensions shown in parentheses are in millimeters unless otherwise specified.

CPVC Clamps

TOLCO Fig. 28M - Offset Hanger & Restrainer for CPVC Plastic Pipe and IPS Steel Pipe

Size Range: 3/4" (20mm) thru 2" (32mm)

Material: Steel, Pre-Galvanized

Function: Designed to be used as a hanger and restrainer for CPVC piping or steel piping where the "stand-off" design will ease installation by eliminating the need for wood blocking.

Features:

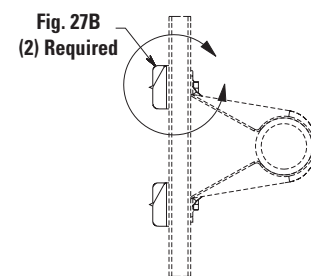
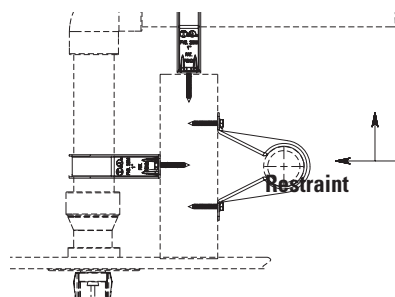
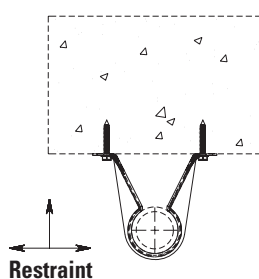
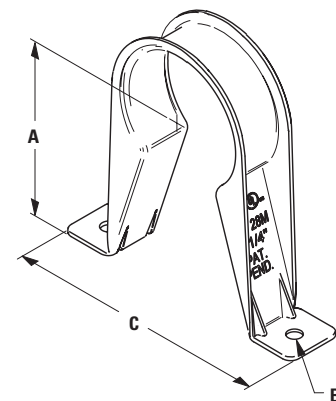
- Flared edge design protects CPVC pipe from any rough or abrasive surfaces
- Unique snap-on design holds pipe firmly in place and allows retrofit type of installation
- The "Stand-Off" design eliminates the need for wood block extension
- Can be installed on horizontal or vertical piping regardless of mounting surface orientation
- Attaches easily to wood structure with two hex head self-threading screws furnished with product
- Installs easily using rechargeable electrical driver with 5/16" (7.9mm) extension socket eliminating impact tool damage to pipe
- Attaches easily to steel, minimum 18 gauge (1.024mm) with (2) 1/4" x 1" tek type self drilling tapping screws
- **(cULus)** Listed as a hanger and a restrainer for fire sprinkler piping

Installation Note: When installed in wood structural members and threads from the #10 x 1" screws are exposed, use Fig. 27B (page 36) speed nut to secure

Approvals: Underwriters Laboratory Listed in the USA (UL) and Canada (cUL) to support automatic fire sprinkler systems. May be installed into wood using fasteners screws. Meets and exceeds the requirements of NFPA 13, 13R and 13D. Fig. 28M satisfies the UL vertical restraint requirements where needed.

Order By: Figure number and pipe size

Patent #7,744,042



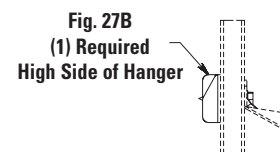
Hanger and Restraint Application

Part No.	CPVC Pipe Size in. (mm)	A in. (mm)	Hole Dia. B in. (mm)	C in. (mm)	Max Spacing* in. (mm)	Approx. Wt./100 lbs. (kg)
28M-3/4	3/4" (20)	2" (50.8)	3/16" (4.8)	3 5/16" (84.1)	5'-6" (1676)	9 (4.1)
28M-1	1" (25)	2 1/8" (54.0)	3/16" (4.8)	3 1/2" (88.9)	6'-0" (1829)	12 (5.4)
28M-1 1/4	1 1/4" (32)	2 5/16" (58.7)	3/16" (4.8)	3 1/2" (88.9)	6'-6" (1981)	13 (5.9)
28M-1 1/2	1 1/2" (49)	2 7/16" (61.9)	3/16" (4.8)	3 7/8" (98.4)	7'-0" (2133)	14 (6.3)
28M-2	2" (50)	2 5/8" (66.7)	3/16" (4.8)	4 7/16" (112.7)	8'-0" (2438)	15 (6.8)

* Required per NFPA 13 for CPVC plastic pipe

Reduced Spacing For IPS Pipe

Part No.	IPS Pipe Size in. (mm)	Max. Hanger Spacing Ft. (m)
28-3/4	3/4" (20)	1'-9" (1.67)
28-1	1" (25)	1'-10" (1.83)
28-1 1/4	1 1/4" (32)	2-4" (1.98)
28-1 1/2	1 1/2" (40)	2-9" (2.13)
28-2	2" (50)	3-6" (2.44)



**Detail A
Hanger Application**

All dimensions in charts and on drawings are in inches. Dimensions shown in parentheses are in millimeters unless otherwise specified.

TOLCO Fig. 29 - Double Offset Hanger & Restrainer for CPVC Plastic Pipe & IPS Steel Pipe

Size Range: Available in 3/4" (20mm) and 1" (25mm) pipe sizes

Material: Pre-Galvanized Steel

Function: Intended to perform as a hanger and restrainer for CPVC, plastic fire sprinkler pipe. Provides double offset 1 1/2" (20mm) x 1 1/2" (20mm) from mounting surface. This design will ease installation by eliminating the need for wood block extension and allow retro-fit attachment of hanger to sprinkler pipe.

Features:

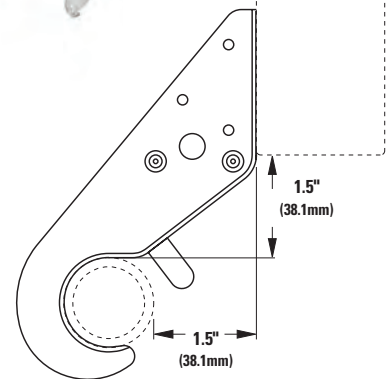
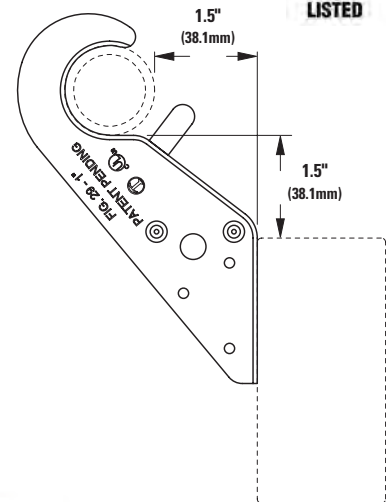
- Thumb tab provides protection to restrain pipe in rough job site conditions. Tab is not required to be bent for listed installation.
- Offset edge eliminates abrasion.
- Attaches easily to wood structure with two special #10 x 1" hex head self-threading screws furnished with product.
- Can be used as a single offset hanger by aligning "dimples" with top of mounting surface and utilizing two fasteners in two of the three holes provided.

Approvals: Underwriters Laboratories Listed in the USA (**UL**) and Canada (**cUL**) as a hanger and restrainer to support fire sprinkler systems. Meets and exceeds requirements of NFPA 13, 13R and 13D.

Finish: Pre-Galvanized

Order By: Figure number and pipe size.

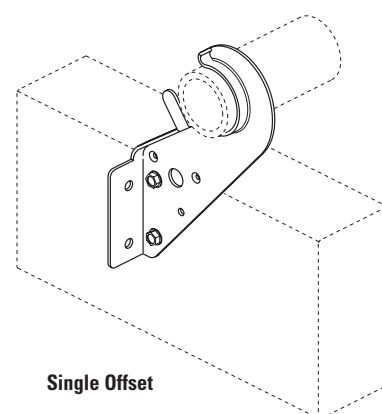
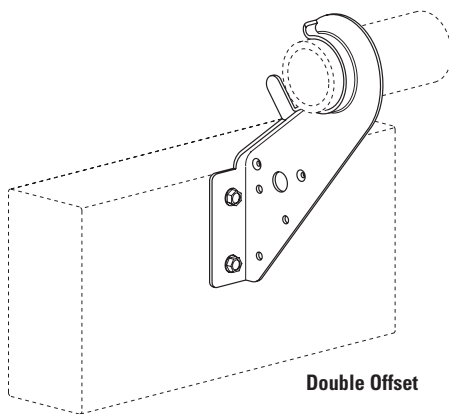
Patent # US2008/0129040A1



Part No.	CPVC Pipe size in. (mm)	Max Hanger Spacing Ft. (m)	Approx. Wt./100 lbs. (kg)
29-3/4	3/4" (20)	5'-6" (1.67)	18 (8.1)
29-1	1" (25)	6'-0" (1.83)	19 (8.6)

Reduced Spacing For IPS Pipe

Part No.	IPS Pipe Size in. (mm)	Max. Hanger Spacing Ft. (m)
29-3/4	3/4" (20)	1'-9" (1.67)
29-1	1" (25)	1'-10" (1.83)



Install using a rechargeable electric drill fitted with a 5/16" (7.9mm) socket attachment with the special hex head self-tapping screws provided. Install screws until they bottom out. Pipe can be "snapped" into hanger before or after installation of the screws to the mounting surface. "Thumb tab" may be bent up to provide additional protection to the pipe, but is not required for performance of the hanger / restrainer function.

All dimensions in charts and on drawings are in inches. Dimensions shown in parentheses are in millimeters unless otherwise specified.

CPVC Clamps

B3184 - Offset Hanger for CPVC Plastic Pipe and IPS Pipe

Size Range: 3/4" (20mm) thru 2" (32mm)

Material: Pre-Galvanized Steel

Function: Designed to be used as a hanger for CPVC piping or steel piping where the "stand-off" design will ease installation by eliminating the need for wood blocking.

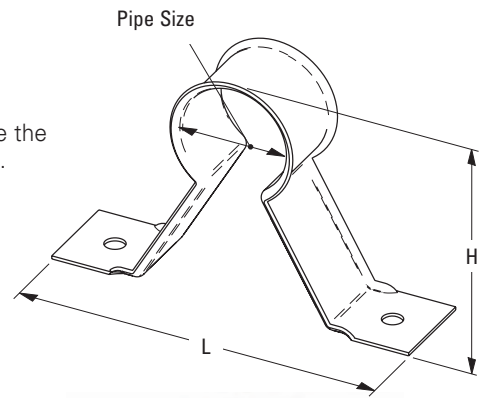
Features:

- Flared edge design protects CPVC pipe from any rough or abrasive surfaces
- The "Stand-Off" design eliminates the need for wood block extension
- Can be installed on horizontal or vertical piping regardless of mounting surface orientation
- Attaches easily to wood structure with two hex head self-threading screws furnished with product
- **cULus** Listed as a hanger for fire sprinkler piping

Installation Note: When installed in wood structural members and threads from the #10 x 1" screws are exposed, use Fig. 27B speed nut to secure

Approvals: Underwriters Laboratory Listed in the USA (**UL**) and Canada (**cUL**) 3/4" (20mm) thru 2" (50mm) to support automatic fire sprinkler systems. May be installed into wood using fasteners screws. Meets and exceeds the requirements of NFPA 13, 13R and 13D.

Order By: Part number and pipe size



Part No.	CPVC Pipe Size in. (mm)	H Overall in. (mm)	L Overall in. (mm)	Max. Hanger Spacing ft. (m)	Fastener Hex Head Size in. (mm)	Approx. Wt./100 Lbs. (kg)
B3184-3/4	3/4" (20)	2 ⁹ / ₁₆ " (65.1)	4 ¹ / ₄ " (107.9)	5 ¹ / ₂ (1.67)	5/16" (7.9)	9.0 (4.1)
B3184-1	1" (25)	2 ¹³ / ₁₆ " (71.4)	4 ¹ / ₂ " (114.3)	6 (1.83)	5/16" (7.9)	10.0 (4.5)
B3184-1 ¹ / ₄	1 ¹ / ₄ " (32)	3 ³ / ₁₆ " (81.0)	4 ⁵ / ₈ " (117.5)	6 ¹ / ₂ (1.98)	5/16" (7.9)	12.0 (5.4)
B3184-1 ¹ / ₂	1 ¹ / ₂ " (40)	3 ⁷ / ₁₆ " (87.3)	5" (127.0)	7 (2.13)	5/16" (7.9)	12.0 (5.4)
B3184-2	2" (50)	3 ⁷ / ₈ " (98.4)	5" (127.0)	8 (2.44)	5/16" (7.9)	15.0 (6.8)

TOLCO™ Fig. 75 - Swivel Attachment

Size Range: — 3/8"-16 Rod Attachment

Material: Steel

Function: Three recommended applications for this product:

- May be used as a branch line restraint for structural attachment to anchor bolt, beam clamp, etc.
- May be used as an upper attachment with short hanger rod to omit seismic bracing.
- May be used in a pitched or sloped roof application, to meet requirements of NFPA 13 (2010) 9.1.2.6.

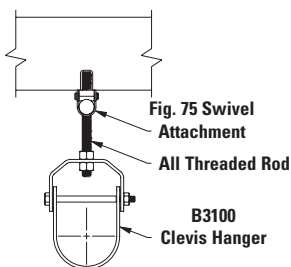
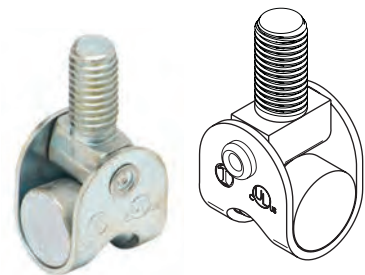
Approvals: Underwriters Laboratories Listed in the USA (**UL**) and Canada (**cUL**) to support up to 4" (100mm) pipe.

Finish: Electro-Galvanized

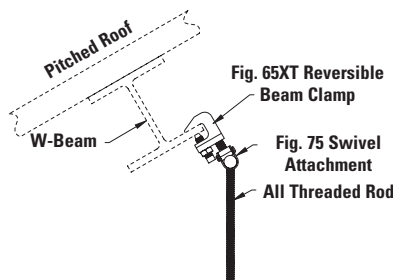
Weight: Approx. Wt./100 - 13.3 Lbs. (6.0kg)

Order By: Part number

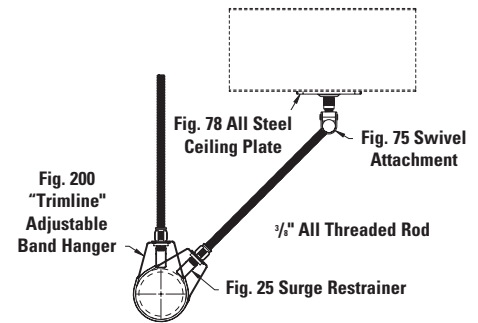
Patent: #7,887,248



May be used as an upper attachment with short hanger rod to omit seismic bracing



May be used with a pitched roof application, to meet requirements of NFPA 13 (2010-2016) Sec. 9.1.2.6.



May be used as a structural attachment component of a branch line restraint

TOLCO Fig. 3000 - CPVC and steel sway brace attachment

Size Range: Pipe size to be braced: in 1" (25mm) thru 3" (80mm) except 65mm pipe sizes

Pipe size used for bracing 1" (25mm) Schedule 40 IPS

Material: Steel

Function: For bracing CPVC and steel pipe against sway and seismic disturbance. The pipe attachment component of a sway brace system: Fig. 3000 is used in conjunction with a Fig. 900 Series fitting and joined together with bracing pipe per NFPA 13, forming a complete sway brace assembly.

Features: The Fig. 3000 is UL Listed as a sway brace for bracing 1" (25mm) through 3" (80mm) CPVC and (IPS) steel sprinkler pipe, except 65mm diameter pipe. The unique design does not compress the CPVC pipe, and the brace pipe to system pipe offset keeps the brace pipe from leaving harmful residue and oils on the CPVC pipe. Field adjustable, making critical pre-engineering of bracing pipe length unnecessary and requires no threading of bracing pipe. Comes assembled and ready for installation. Has a built-in visual verification of correct installation. See the following installation note.

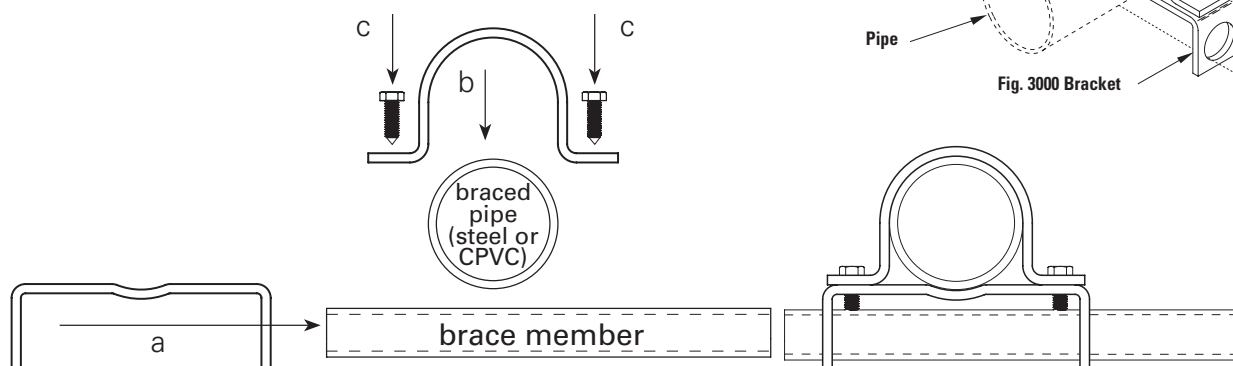
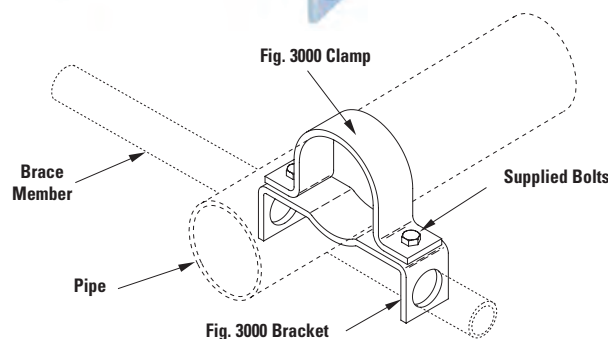
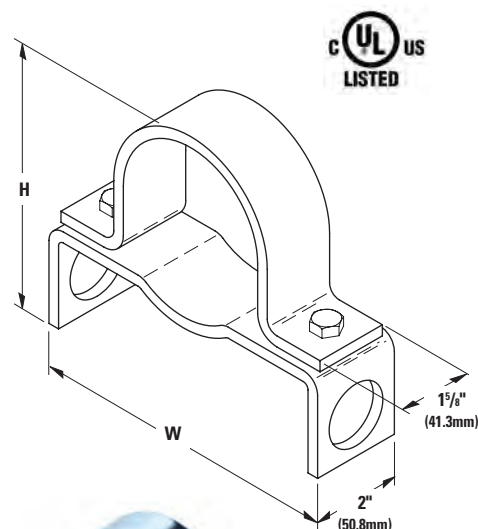
Installation Instructions: Slide the Fig. 3000 bracket over the brace member. Place the Fig. 3000 clamp over the pipe being braced, align the holes, and tighten the supplied bolts until the underside of the bolt bottoms out against the Fig. 3000 clamp. The sway brace fitting is intended to be used with any Tolco 900 series transitional or 800 series structural attachments.

Note: Brace member may be over or under the braced pipe.

Approvals: Underwriters Laboratories Listed in the USA (UL) and Canada (cUL). UL Listed for the following sprinkler type pipes: Sch. 40 (and as brace member), Sch. 10, CPVC, DIN 2448, KSD 3562 (and as brace member), KSD 3507.

Finish: Electro-Galvanized

Order By: Figure number and pipe size.



Part No.	CPVC or Steel Pipe Size		H Height		W Width		Max. Design Load		Approx. Wt./100	
	in.	(mm)	in.	(mm)	in.	(mm)	Lbs.	(kN)	Lbs.	(kg)
3000-1	1"	(25)	3 ⁷ / ₁₀ "	(94.0)	4 ³ / ₄ "	(120.7)	700	(3.11)	120	(54.4)
3000-1 ¹ / ₄	1 ¹ / ₄ "	(32)	4"	(101.6)	5"	(127.0)	700	(3.11)	129	(58.5)
3000-1 ¹ / ₂	1 ¹ / ₂ "	(40)	4 ³ / ₁₀ "	(109.2)	5 ¹ / ₄ "	(133.4)	700	(3.11)	136	(61.6)
3000-2	2"	(50)	4 ⁷ / ₁₀ "	(119.4)	6 ¹ / ₂ "	(165.1)	700	(3.11)	204	(92.5)
3000-2 ¹ / ₂	2 ¹ / ₂ "	(65)	5 ⁴ / ₂₅ "	(131.1)	7"	(177.8)	700	(3.11)	226	(102.5)
3000-3	3"	(80)	5 ⁴ / ₅ "	(147.3)	7 ¹ / ₂ "	(190.5)	700	(3.11)	252	(114.3)

All dimensions in charts and on drawings are in inches. Dimensions shown in parentheses are in millimeters unless otherwise specified.

Fig. 76 - TOLCO Structural Attachment for Branch Line Restraint Assembly (UL Listed)

Size Range: 3/8" and 1/2" all threaded rod (ATR)

Material: Steel

Function: Structural attachment for restraint (sway brace) or hanger assembly

Features: The Fig. 76 has multiple sized fastener holes to accommodate multiple types of fasteners for various types of structures (concrete, wood and steel) see table below. It can be bent in the field to accommodate multiple angles, but is supplied fixed at 45° to accommodate the most common installation configuration. Its open design allows easy inspection to verify thread engagement. It will fit both 3/8" and 1/2" all thread rod to accommodate changing field conditions when longer brace material is required. It is UL listed both as a restraint and as a hanger attachment for up to 4" (IPS) pipe size.

Installation Instructions: Follow fastener manufacturer and NFPA 13 guidelines to install appropriate fastener for the structural type (i.e. concrete, wood, steel). Install all thread rod (brace member) to TOLCO™ Fig. 76 structural attachment. Bottom out ATR to ensure full thread engagement. This can be visually confirmed due to the open thread design. For more information visit our website for the most up to date instructions sheets.

Approvals: Underwriters Laboratories Listed in the USA (UL) and Canada (cUL).

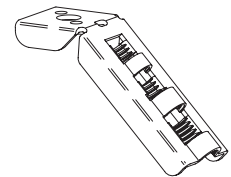
For FM Approval information refer to FM Approved page 43.

Finish: Pre-Galvanized.

Order By: Figure number.



Structural Attachment for Branch Line Restraint



Maximum Allowable Loads (UL Listed)

Part No.	3/8" Rod	1/2" Rod
Fig. 76	300 lbs.	300 lbs.

Loads shown are axial ASD loads.

Fasteners to use with Fig 76 (Up to 2" IPS pipe size) per NFPA 13

Structure Type	Fastener Type	Fastener Diameter	Fastener Embedment	NFPA 13 (2013 & 2016) Reference
Concrete	Through Bolt	3/8"	N/A	9.1.3.10.1
Concrete	Post Installed Anchors	Various	Various	9.1.3 - 9.1.3.8
Steel	Through Bolt	3/8"	N/A	9.1.4.5.1
Steel	Beam Clamp	3/8"	N/A	UL Listed Beam Clamp with Retaining Strap
Wood	(1) 3/8" lag screw	3/8"	2 1/2"	9.1.5.3.1
Wood	(2) #10 wood screws	#10	1"	

All Thread Rod Maximum Restraint Lengths

Rod Size (in)	Root Dia. (in)	Least Radius of Gyration r (in)	Maximum Unbraced Length L - (in.)				Max. Horizontal Load @ 45° (lbs.)**			
			l/r=100	l/r=200	l/r=300	l/r=400†	l/r=100	l/r=200	l/r=300	l/r=400†
3/8	0.300	0.075	7	14	22	30	300	186	82	44
1/2	0.404	0.101	10	20	30	40	300‡	300‡	152	85

† l/r = 400 NFPA 13 2010, Sec 9.3.6.1 (5) † l/r = 400 NFPA 13 2013 & 2016, Sec 9.3.6.1 (5) & NFPA (2016) TABLE 9.3.11.8(a)(b)(c)(d)(e)(f)

**Per NFPA 13 (2013) Table 9.3.5.11.8 (a)(b)(c), consult for maximum allowable load information on ATR.

‡Max load governed by Fig. 76/77 Max horizontal load.

Eaton's B-Line series seismic bracing components are designed to be compatible only with other B-Line series bracing components, resulting in a listed seismic bracing assembly. Eaton B-Line Division warranty for seismic bracing components will be the warranty provided in Eaton B-Line Division standard terms and conditions of sale made available by Eaton, except that, in addition to the other exclusions from Eaton B-Line Division warranty, Eaton makes no warranty relating to B-Line series seismic bracing components that are combined with products not provided by Eaton.

All dimensions in charts and on drawings are in inches. Dimensions shown in parentheses are in millimeters unless otherwise specified.

Fig. 76 - TOLCO Structural Attachment for Sway Brace Assembly (FM Approved)

Size Range: 3/8" and 1/2" all threaded rod (ATR)

Material: Steel

Function: Structural attachment for restraint (sway brace) assembly

Features: The Fig. 76 has multiple sized fastener holes to accommodate multiple types of fasteners for various types of structures (steel, wood or concrete). It can be bent in the field to accommodate multiple angles, but is supplied fixed at 45° to accommodate the most common installation configuration. Its open design allows easy inspection to verify thread engagement. It will fit both 3/8" and 1/2" all thread rod to accommodate changing field conditions when longer brace material is required.

Installation Instructions: Follow fastener manufacturer and NFPA 13 guidelines to install appropriate fastener for the structural type (i.e. concrete, wood, steel). Install all thread rod (brace member) to TOLCO™ Fig. 76 structural attachment. Bottom out ATR to ensure full thread engagement. This can be visually confirmed due to the open thread design. For more information visit our website for the most up to date instructions sheets.

Approvals: Approved by Factory Mutual Engineering (FM).

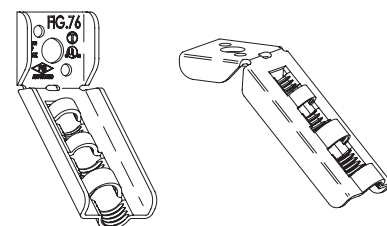
For UL Listed information refer to UL Listed page 42.

Finish: Pre-Galvanized.

Order By: Figure number.



Structural Attachment for Restraint (Sway Brace)



Maximum Allowable Loads (FM Approved)

Part No.	30°-44°		45°-59°		60°-74°		75°-90°	
	3/8" Rod lbs.	1/2" Rod lbs.	3/8" Rod lbs.	1/2" Rod lbs.	3/8" Rod lbs.	1/2" Rod lbs.	3/8" Rod lbs.	1/2" Rod lbs.
Fig. 76	380	420	530	580	800	1,020	750	1,110

Loads shown are axial ASD loads.

Fasteners to use with Fig 76 (Up to 2" IPS pipe size) per NFPA 13

Structure Type	Fastener Type	Fastener Diameter	Fastener Embedment	NFPA 13 (2013 & 2016) Reference
Concrete	Through Bolt	3/8"	N/A	9.1.3.10.1
Concrete	Post Installed Anchors	Various	Various	9.1.3 - 9.1.3.8
Steel	Through Bolt	3/8"	N/A	9.1.4.5.1
Steel	Beam Clamp	3/8"	N/A	FM Approved Beam Clamp with Retaining Strap
Wood	(1) 3/8" lag screw	3/8"	2 1/2"	9.1.5.3.1
Wood	(2) #10 wood screws	#10	1"	



All Thread Rod Maximum Restraint Lengths

Rod Size (in)	Root Dia. (in)	Least Radius of Gyration r (in)	Maximum Unbraced Length L - (in.)				Max. Horizontal Load @ 45° (lbs.)**			
			l/r=100	l/r=200	l/r=300	l/r=400†	l/r=100	l/r=200	l/r=300	l/r=400†
3/8	0.300	0.075	7	14	22	30	300	186	82	44
1/2	0.404	0.101	10	20	30	40	300‡	300‡	152	85

† l/r = 400 NFPA 13 2010, Sec 9.3.6.1 (5) † l/r = 400 NFPA 13 2013 & 2016, Sec 9.3.6.1 (5) & NFPA (2016) TABLE 9.3.11.8(a)(b)(c)(d)(e)(f)

**Per NFPA 13 (2013) Table 9.3.5.11.8 (a)(b)(c), consult for maximum allowable load information on ATR.

‡Max load governed by Fig. 76/77 Max horizontal load.

Eaton's B-Line series seismic bracing components are designed to be compatible only with other B-Line series bracing components, resulting in a listed seismic bracing assembly. Eaton B-Line Division warranty for seismic bracing components will be the warranty provided in Eaton B-Line Division standard terms and conditions of sale made available by Eaton, except that, in addition to the other exclusions from Eaton B-Line Division warranty, Eaton makes no warranty relating to B-Line series seismic bracing components that are combined with products not provided by Eaton.

All dimensions in charts and on drawings are in inches. Dimensions shown in parentheses are in millimeters unless otherwise specified.

TOLCO Fig. 77 - System Piping Attachment for Restraint Assembly (UL Listed) For CPVC & Steel Pipe

Size Range: 3/8" and 1/2" all threaded rod (ATR)

Material: Steel

Function: System attachment for restraint (sway brace) assembly

Features: The Fig. 77 is UL Listed to be used with both (IPS) steel and CPVC fire sprinkler pipe, in 1" through 2" diameters. It fits multiple rod diameters allowing for field adjustment if longer brace material is needed. Its sturdy break-off bolt will not strip and verifies proper installation. Its snap on design has many advantages. It can be installed with one-hand, can easily position the brace all thread rod over the top of the pipe being braced or underneath the pipe being braced to accommodate the desired brace angle. It can be fixed in place or moved to a new location by sliding along the pipe or snapping on or off and relocating. An entire prefabricated assembly (Fig. 76 & 77 joined with ATR) can be pre-assembled to save time and labor and later be field installed and adjusted to fit.

Installation Instructions: Install TOLCO™ Fig. 77 system attachment to sprinkler pipe branch line to be restrained. You can position with the rod engagement either above or below the sprinkler pipe. Rod must extend a min. of 1" (25.4) past the edge of the Fig. 77. The attachment can be slid along the pipe to position close to where the Fig. 76 structural attachment will be fastened to the structure. The snap on design allows maximum adjustability during this stage of the installation process. Engage ATR (previously attached to the Fig. 76 structural attachment to the rod engagement portion of the Fig. 77 system attachment. Tighten set bolt on Fig. 77 system attachment until head breaks off verifying proper installation torque. For more information visit our website for the most up to date instructions sheets.

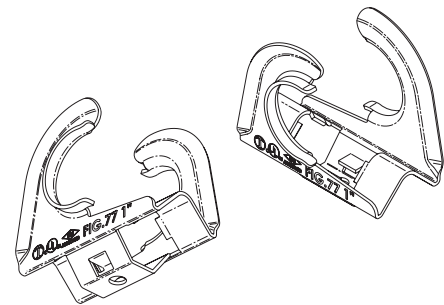
Approvals: Underwriters Laboratories Listed in the USA (UL) and Canada (cUL). For FM Approved information refer to FM Approved page 45.

Finish: Pre-Galvanized.

Order By: Figure number and pipe size.



Pipe Attachment for Branch Line Restraint
Patent Pending



Part No.	Pipe Size in. (mm)	Max.Design Loads (UL Listed)	
		3/8" Rod lbs. (kN)	1/2" Rod lbs. (kN)
77-1	1 (25)	300 (1.33)	300 (1.33)
77-1 1/4	1 1/4 (32)		
77-1 1/2	1 1/2 (40)		
77-2	2 (50)		

* These loads apply to IPS steel, Sch.10, Sch. 40, engineered lightwall piping, and CPVC plastic pipe. Loads shown are axial ASD loads.

§ All other trademarks are property of their respective owners.



All Thread Rod Maximum Restraint Lengths

Rod Size in.	Root Dia. in. (mm)	Least Radius of Gyration r in. (mm)	Maximum Unbraced Length L - (in.)				Max. Horizontal Load @ 45° (lbs.)**			
			l/r=100 in. (mm)	l/r=200 in. (mm)	l/r=300 in. (mm)	l/r=400† in. (mm)	l/r=100 lbs. (kN)	l/r=200 lbs. (kN)	l/r=300 lbs. (kN)	l/r=400† lbs. (kN)
3/8-16	0.300 (7.6)	0.075 (1.9)	7 (177.8)	14 (355.6)	22 (558.8)	30 (763.0)	300 (1.33)	186 (0.82)	82 (0.36)	44 (0.19)
1/2-13	0.404 (10.2)	0.101 (2.5)	10 (254.0)	20 (508.0)	30 (762.0)	40 (1016.0)	300‡ (1.33)‡	300‡ (1.33)‡	152 (0.67)	85 (0.38)

† l/r = 400 NFPA 13 2010, Sec 9.3.6.1 (5) † l/r = 400 NFPA 13 2013 & 2016, Sec 9.3.6.1 (5) & NFPA (2016) TABLE 9.3.11.8(a)(b)(c)(d)(e)(f)

**Per NFPA 13 (2013) Table 9.3.5.11.8 (a)(b)(c), consult for maximum allowable load information on ATR.

‡Max load governed by Fig. 76/77 Max horizontal load.

Eaton's B-Line series seismic bracing components are designed to be compatible only with other B-Line series bracing components, resulting in a listed seismic bracing assembly. Eaton B-Line Division warranty for seismic bracing components will be the warranty provided in Eaton B-Line Division standard terms and conditions of sale made available by Eaton, except that, in addition to the other exclusions from Eaton B-Line Division warranty, Eaton makes no warranty relating to B-Line series seismic bracing components that are combined with products not provided by Eaton.

All dimensions in charts and on drawings are in inches. Dimensions shown in parentheses are in millimeters unless otherwise specified.

TOLCO Fig. 77 - System Piping Attachment for Sway Brace Assembly (FM Approved) For CPVC & Steel Pipe

Size Range: 3/8" and 1/2" all threaded rod (ATR)

Material: Steel

Function: System attachment for restraint

Features: The Fig. 77 is to be used with both (IPS) steel and CPVC fire sprinkler pipe, in 1" through 2" diameters. It fits multiple rod diameters allowing for field adjustment if longer brace material is needed. Its sturdy break-off bolt will not strip and verifies proper installation. Its snap on design has many advantages. It can be installed with one-hand, can easily position the brace all thread rod over the top of the pipe being braced or underneath the pipe being braced to accommodate the desired brace angle. It can be fixed in place or moved to a new location by sliding along the pipe or snapping on or off and relocating. An entire prefabricated assembly (Fig. 76 & 77 joined with ATR) can be pre-assembled to save time and labor and later be field installed and adjusted to fit.

Installation Instructions: Install TOLCO™ Fig. 77 system attachment to sprinkler pipe branch line to be restrained. It can be positioned with the rod engagement either above or below the sprinkler pipe. Rod must extend a min. of 1" past the edge of the Fig. 77. The attachment can be slid along the pipe to position close to where the Fig. 76 structural attachment will be fastened to the structure. The snap on design allows maximum adjustability during this stage of the installation process. Engage ATR (previously attached to the Fig. 76 structural attachment to the rod engagement portion of the Fig. 77 system attachment. Tighten set bolt on Fig. 77 system attachment until head breaks off verifying proper installation torque. For more information visit our website for the most up to date instructions sheets.

Approvals: Approved by Factory Mutual Engineering (FM).

For UL Listed information refer to UL Listed page 44.

Finish: Pre-Galvanized.

Order By: Figure number and pipe size.



Pipe Attachment for Restraint (Sway Brace)
Patent Pending



Part No.	Pipe Size in. (mm)	Maximum Allowable Loads (FM Approved)*							
		30°-44°		45°-59°		60°-74°		75°-90°	
		3/8" Rod lbs. (kN)	1/2" Rod lbs. (kN)	3/8" Rod lbs. (kN)	1/2" Rod lbs. (kN)	3/8" Rod lbs. (kN)	1/2" Rod lbs. (kN)	3/8" Rod lbs. (kN)	1/2" Rod lbs. (kN)
77-1	1 (25)	140 (0.62)	160 (0.71)	200 (0.89)	230 (1.02)	250 (1.11)	280 (1.24)	280 (1.24)	320 (1.42)
77-1 1/4	1 1/4 (32)	140 (0.62)	170 (0.75)	200 (0.89)	250 (1.11)	250 (1.11)	300 (1.33)	280 (1.24)	340 (1.51)
77-1 1/2	1 1/2 (40)	130 (0.58)	160 (0.62)	190 (0.84)	230 (1.02)	230 (1.02)	280 (1.24)	260 (1.15)	320 (1.42)
77-2	2 (50)	120 (0.53)	150 (0.67)	170 (0.75)	210 (0.93)	210 (0.93)	260 (1.15)	240 (1.07)	290 (1.29)

* Loads shown are axial ASD loads.

All Thread Rod Maximum Restraint Lengths

Rod Size in.	Root Dia. in. (mm)	Least Radius of Gyration r in. (mm)	Maximum Unbraced Length L - (in.)				Max. Horizontal Load @ 45° (lbs.)**			
			l/r=100 in. (mm)	l/r=200 in. (mm)	l/r=300 Δ in. (mm)	l/r=400 $\dagger\Delta$ in. (mm)	l/r=100 lbs. (kN)	l/r=200 lbs. (kN)	l/r=300 Δ lbs. (kN)	l/r=400 $\dagger\Delta$ lbs. (kN)
3/8-16	0.300 (7.6)	0.075 (1.9)	7 (177.8)	14 (355.6)	22 (558.8)	30 (763.0)	300 (1.33)	186 (0.82)	82 (0.36)	44 (0.19)
1/2-13	0.404 (10.2)	0.101 (2.5)	10 (254.0)	20 (508.0)	30 (762.0)	40 (1016.0)	300 \dagger (1.33) \dagger	300 \dagger (1.33) \dagger	152 (0.67)	85 (0.38)

\dagger l/r = 400 NFPA 13 2010, Sec 9.3.6.1 (5) \dagger l/r = 400 NFPA 13 2013 & 2016, Sec 9.3.6.1 (5) & NFPA (2016) TABLE 9.3.11.8(a)(b)(c)(d)(e)(f)

Δ l/r = 300 for bracing

**Per NFPA 13 (2013) Table 9.3.5.11.8 (a)(b)(c), consult for maximum allowable load information on ATR.

Δ l/r = 400 for restraint

\dagger Max load governed by Fig. 76/77 Max horizontal load.

CPVC Clamps

Eaton's B-Line series seismic bracing components are designed to be compatible only with other B-Line series bracing components, resulting in a listed seismic bracing assembly. Eaton B-Line Division warranty for seismic bracing components will be the warranty provided in Eaton B-Line Division standard terms and conditions of sale made available by Eaton, except that, in addition to the other exclusions from Eaton B-Line Division warranty, Eaton makes no warranty relating to B-Line series seismic bracing components that are combined with products not provided by Eaton.

All dimensions in charts and on drawings are in inches. Dimensions shown in parentheses are in millimeters unless otherwise specified.

Pipe Supports

B3088 - Base Stand

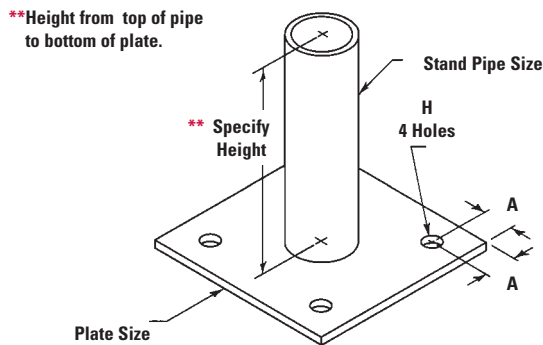
Size Range: 3/4" (20mm) thru 6" (150mm) pipe

Material: Steel

Function: Designed as an unthreaded base stand for pipe supports B3090, B3094, B3095, B3096, B3097 and B3098.

Finish: Plain or Electro-Galvanized. Contact customer service for alternative finishes and materials.

Order By: Figure number, height and finish.



Note: See Pipe Hangers & Supports catalog for attachments

Part No.	Plate Size in.	(mm)	Stand Pipe Size in. (mm)	A in. (mm)	Dia. H in. (mm)
B3088-3/4	1/4" x 6" x 6"	(6.3 x 152.4 x 152.4)	3/4" (20)	7/8" (22.2)	3/4" (14.3)
B3088-1	1/4" x 6" x 6"	(6.3 x 152.4 x 152.4)	1" (25)	7/8" (22.2)	3/4" (14.3)
B3088-1 1/4	1/4" x 6" x 6"	(6.3 x 152.4 x 152.4)	1 1/4" (32)	7/8" (22.2)	3/4" (14.3)
B3088-1 1/2	1/4" x 6" x 6"	(6.3 x 152.4 x 152.4)	1 1/2" (40)	7/8" (22.2)	3/4" (14.3)
B3088-2	1/4" x 6" x 6"	(6.3 x 152.4 x 152.4)	2" (50)	7/8" (22.2)	3/4" (14.3)
B3088-2 1/2	3/8" x 8" x 8"	(9.5 x 203.2 x 203.2)	2 1/2" (65)	1 1/4" (31.7)	13/16" (14.3)
B3088-3	3/8" x 12" x 12"	(9.5 x 203.2 x 203.2)	3" (80)	1 1/2" (38.1)	13/16" (20.6)
B3088-4	1/2" x 12" x 12"	(12.7 x 304.8 x 304.8)	4" (100)	1 1/2" (38.1)	15/16" (23.8)
B3088-6	1/2" x 18" x 18"	(12.7 x 304.8 x 304.8)	6" (150)	1 1/2" (38.1)	1 1/8" (28.6)

Part No.	Approx. Wt./100*	
	Lbs.	(kg)
B3088-3/4	420	(190.5)
B3088-1	480	(216.0)
B3088-1 1/4	590	(267.6)
B3088-1 1/2	655	(297.1)
B3088-2	1211	(549.3)
B3088-2 1/2	2376	(1077.7)
B3088-3	3137	(1422.9)
B3088-4	4338	(1967.7)
B3088-6	7378	(3346.6)

*Based on a height of 18" (457.2mm).

All dimensions in charts and on drawings are in inches. Dimensions shown in parentheses are in millimeters unless otherwise specified.

B3088T - Threaded Base Stand

Size Range: 1" (25mm) thru 6" (150mm) pipe

Material: Steel

Function: Designed as a threaded base stand where vertical adjustment is required for pipe supports B3089, B3092, and B3093.

Finish: Plain or Electro-Galvanized. Contact customer service for alternative finishes and materials.

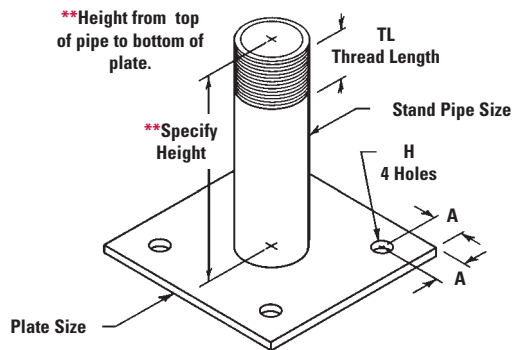
Order By: Figure number, height and finish.

Approvals: Included in our Seismic Engineering Guidelines approved by the State of California Office of Statewide Health Planning and Development (OSHPD). For additional load, spacing and placement information relating to OSHPD projects, please refer to our Seismic Engineering Guidelines, OPM-0052-13.

Refer to pages 15.1 - 15.3B in Seismic Engineering Guidelines OPM-0052-13.

Note: Match B3088T part number with dimension 'D' from B3092, and B3093 charts.

OPM



Note: See Pipe Hangers & Supports catalog for attachments

Part No.	Plate Size		Stand Pipe Size		A		Dia. H		TL	
	in.	(mm)	in.	(mm)	in.	(mm)	in.	(mm)	in.	(mm)
B3088T-1	1/4" x 6" x 6"	(6.3 x 152.4 x 152.4)	1"	(25)	7/8"	(22.2)	3/4"	(19.0)	1 1/2"	(38.1)
B3088T-1 1/4	1/4" x 6" x 6"	(6.3 x 152.4 x 152.4)	1 1/4"	(32)	7/8"	(22.2)	3/4"	(19.0)	1 1/2"	(38.1)
B3088T-1 1/2	1/4" x 6" x 6"	(6.3 x 152.4 x 152.4)	1 1/2"	(40)	7/8"	(22.2)	3/4"	(19.0)	1 1/2"	(38.1)
B3088T-2	1/4" x 6" x 6"	(6.3 x 152.4 x 152.4)	2"	(50)	7/8"	(22.2)	3/4"	(19.0)	1 1/2"	(38.1)
B3088T-2 1/2	3/8" x 8" x 8"	(9.5 x 203.2 x 203.2)	2 1/2"	(65)	1 1/4"	(31.7)	13/16"	(20.6)	1 1/2"	(38.1)
B3088T-3	3/8" x 12" x 12"	(9.5 x 304.8 x 304.8)	3"	(80)	1 1/2"	(38.1)	13/16"	(20.6)	1 1/2"	(38.1)
B3088T-4	1/2" x 12" x 12"	(12.7 x 304.8 x 304.8)	4"	(100)	1 1/2"	(38.1)	15/16"	(23.8)	2"	(50.8)

Part No.	Approx. Wt./100*	
	Lbs.	(kg)
B3088T-1	495	(224.5)
B3088T-1 1/4	583	(264.4)
B3088T-1 1/2	649	(294.4)
B3088T-2	785	(356.1)
B3088T-2 1/2	1524	(691.3)
B3088T-3	2624	(1190.2)
B3088T-4	3594	(1630.2)

*Based on a height of 18" (457.2mm).

All dimensions in charts and on drawings are in inches. Dimensions shown in parentheses are in millimeters unless otherwise specified.

Pipe Supports

B3088S - Seismic Base Stand

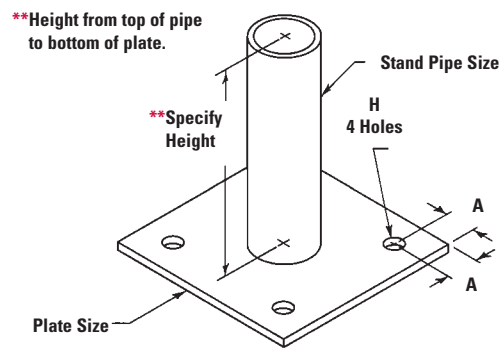
Size Range: 3/4" (20mm) thru 4" (100mm) pipe

Material: Steel

Function: Designed as an unthreaded base stand for pipe supports, B3090, B3094, B3095, B3096, B3097 and B3098, to meet requirements of 12X anchor diameter hole spacing for seismic applications. The standard B3088-3 & B3088-6 already meet this requirement.

Finish: Plain or Electro-Galvanized. Contact customer service for alternative finishes and materials.

Order By: Figure number, height and finish.



Note: See Pipe Hangers & Supports catalog for attachments

Part No.	Plate Size		Stand Pipe Size		A		Dia. H	
	in.	(mm)	in.	(mm)	in.	(mm)	in.	(mm)
B3088S-3/4	1/4" x 8" x 8"	(6.3 x 203.2 x 203.2)	3/4"	(20)	1"	(25.4)	9/16"	(14.3)
B3088S-1	1/4" x 8" x 8"	(6.3 x 203.2 x 203.2)	1"	(25)	1"	(25.4)	9/16"	(14.3)
B3088S-1 1/4	1/4" x 8" x 8"	(6.3 x 203.2 x 203.2)	1 1/4"	(32)	1"	(25.4)	9/16"	(14.3)
B3088S-1 1/2	1/4" x 8" x 8"	(6.3 x 203.2 x 203.2)	1 1/2"	(38)	1"	(25.4)	9/16"	(14.3)
B3088S-2	1/4" x 8" x 8"	(6.3 x 203.2 x 203.2)	2"	(50)	1"	(25.4)	9/16"	(14.3)
B3088S-2 1/2	3/8" x 8 1/2" x 8 1/2"	(9.5 x 215.9 x 215.9)	2 1/2"	(65)	1 1/4"	(31.7)	9/16"	(14.3)
B3088S-4	1/2" x 13 1/2" x 13 1/2"	(12.7 x 342.9 x 342.9)	4"	(100)	1 1/2"	(38.1)	15/16"	(23.8)

Part No.	Approx. Wt./100*	
	Lbs.	(kg)
B3088-3/4	618	(280.3)
B3088-1	708	(321.1)
B3088-1 1/4	798	(362.0)
B3088-1 1/2	858	(389.2)
B3088-2	993	(450.4)
B3088-2 1/2	1638	(743.0)
B3088-4	4202	(1906.0)

*Based on a height of 18" (457.2mm).

B3088ST - Threaded Seismic Base Stand

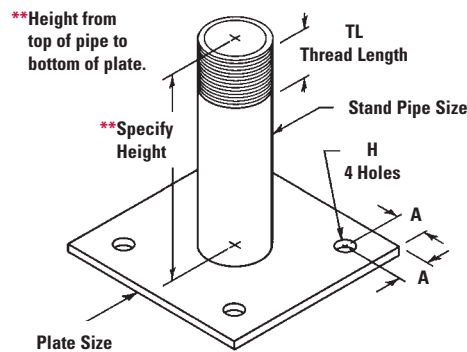
Size Range: 1" (25mm) thru 4" (100mm) pipe

Material: Steel

Function: Designed as a threaded base stand where vertical adjustment is required for pipe supports B3089, B3092, and B3093, to meet requirements of 12X anchor diameter hole spacing for seismic applications. The standard B3088-3 & B3088-6 already meet this requirement.

Finish: Plain or Electro-Galvanized. Contact customer service for alternative finishes and materials.

Order By: Figure number, height and finish.



Note: Match B3088TS part number with dimension 'D' from B3092, and B3093 charts.

Part No.	Plate Size		Stand Pipe Size		A		Dia. H		TL	
	in.	(mm)	in.	(mm)	in.	(mm)	in.	(mm)	in.	(mm)
B3088ST-1	1/4" x 8" x 8"	(6.3 x 203.2 x 203.2)	1"	(25)	1"	(25.4)	9/16"	(14.3)	1 1/2"	(38.1)
B3088ST-1 1/4	1/4" x 8" x 8"	(6.3 x 203.2 x 203.2)	1 1/4"	(32)	1"	(25.4)	9/16"	(14.3)	1 1/2"	(38.1)
B3088ST-1 1/2	1/4" x 8" x 8"	(6.3 x 203.2 x 203.2)	1 1/2"	(40)	1"	(25.4)	9/16"	(14.3)	1 1/2"	(38.1)
B3088ST-2	1/4" x 8" x 8"	(6.3 x 203.2 x 203.2)	2"	(50)	1"	(25.4)	9/16"	(14.3)	1 1/2"	(38.1)
B3088ST-2 1/2	3/8" x 8 1/2" x 8 1/2"	(9.5 x 215.9 x 215.9)	2 1/2"	(65)	1 1/4"	(31.7)	9/16"	(14.3)	1 1/2"	(38.1)
B3088ST-4	1/2" x 13 1/2" x 13 1/2"	(12.7 x 342.9 x 342.9)	4"	(100)	1 1/2"	(38.1)	15/16"	(23.8)	2"	(50.8)

Part No.	Approx. Wt./100*	
	Lbs.	(kg)
B3088ST-1	708	(321.1)
B3088ST-1 1/4	798	(362.0)
B3088ST-1 1/2	858	(389.2)
B3088ST-2	993	(450.4)
B3088ST-2 1/2	1638	(743.0)
B3088ST-4	4202	(1906.0)

*Based on a height of 18" (457.2mm).

All dimensions in charts and on drawings are in inches. Dimensions shown in parentheses are in millimeters unless otherwise specified.

Pipe Supports

B3092 - Adjustable Pipe Saddle Support with Yoke

Size Range: 3/4" (20mm) thru 36" (900mm) pipe

Material: Steel with cast iron reducer

Function: Designed to support horizontal pipe from floor stanchion where vertical adjustment is required. U-bolt and hex nuts are provided to hold pipe securely to saddle. To complete floor stanchion, use with B3088T (page 42) threaded pipe stand.

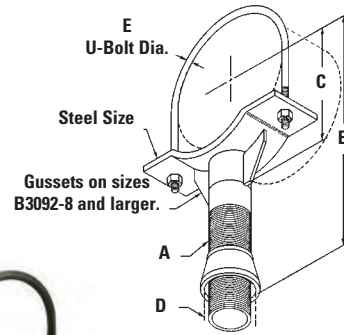
Approvals: Conforms to Federal Specification WW-H-171E & A-A-1192A and Manufacturers Standardization Society ANSI/MSS SP-69 & SP-58, Type 37.

Finish: Plain. Contact customer service for alternative finishes and materials.

Order By: Figure number and finish

Notes: Order with B3088T for complete stanchion support. 4" (100mm) thru 12" (300mm) fits both steel and ductile iron pipe. For other ductile iron pipe sizes specify B3092D1 - size. 3" (80mm) Ductile Iron uses B3092-3 1/2

- A
Schedule 40 Pipe Size
- B
Center of pipe to
bottom of pipe reducer.
- C
Center of pipe to
bottom lip of support.
- D
Nominal pipe size of base stand -
not included.
- E
U-Bolt Dia.



Part No.	Pipe Size in. (mm)	Maximum O.D. of Pipe in. (mm)	A in. (mm)	Minimum in. (mm)	B	Maximum in. (mm)
B3092-3/4	3/4" (19)	1 3/8" (34.9)	3/4" (19)	5 3/4" (146.0)		10 1/4" (260.3)
B3092-1	1" (25)	1 3/8" (34.9)	3/4" (19)	5 29/32" (150.0)		10 13/32" (264.3)
B3092-1 1/4	1 1/4" (32)	1 11/16" (42.9)	3/4" (19)	6 5/64" (154.4)		10 37/64" (268.7)
B3092-1 1/2	1 1/2" (38)	2" (50.8)	3/4" (19)	6 1/4" (158.7)		10 3/4" (273.0)
B3092-2	2" (50)	2 7/16" (61.9)	3/4" (19)	6 7/16" (163.5)		10 15/16" (277.8)
B3092-2 1/2	2 1/2" (65)	2 7/8" (73.0)	1 1/2" (40)	6 7/8" (174.6)		11 3/8" (288.9)
B3092-3	3" (80)	3 1/2" (88.9)	1 1/2" (40)	7 3/16" (182.6)		11 11/16" (296.9)
B3092-3 1/2	3 1/2" (90)	4" (101.6)	1 1/2" (40)	7 7/16" (188.9)		11 15/16" (303.2)
B3092-4	4" (100)	4 7/8" (123.8)	2 1/2" (65)	7 13/16" (198.4)		12 5/16" (312.7)
B3092-5	5" (125)	5 5/8" (142.9)	2 1/2" (65)	8 9/32" (210.3)		12 25/32" (324.6)
B3092-6	6" (150)	6 29/32" (175.4)	2 1/2" (65)	9 1/16" (230.2)		13 9/16" (344.5)
B3092-8	8" (200)	9 1/8" (231.8)	2 1/2" (65)	10 1/2" (266.7)		15" (381.0)

Part No.	C in. (mm)	D (Not Supplied) in. (mm)	E in. (mm)	Saddle Steel Size in. (mm)	Approx. Wt./100 Lbs. (kg)
B3092-3/4	2" (50.8)	1 1/2" (38)	1/4" (6.4)	1/4" x 1 1/2" (6.3 x 38.1)	247 (112.0)
B3092-1	2 5/32" (54.8)	1 1/2" (38)	1/4" (6.4)	1/4" x 1 1/2" (6.3 x 38.1)	257 (116.6)
B3092-1 1/4	2 1/64" (59.1)	1 1/2" (38)	3/8" (9.5)	1/4" x 2" (6.3 x 50.8)	289 (131.1)
B3092-1 1/2	2 1/2" (63.5)	1 1/2" (38)	3/8" (9.5)	1/4" x 2" (6.3 x 50.8)	306 (138.8)
B3092-2	2 11/16" (68.3)	1 1/2" (38)	3/8" (9.5)	1/4" x 2" (6.3 x 50.8)	326 (147.9)
B3092-2 1/2	3 1/8" (79.4)	2 1/2" (65)	1/2" (12.7)	1/4" x 3" (6.3 x 76.2)	651 (295.3)
B3092-3	3 7/16" (87.3)	2 1/2" (65)	1/2" (12.7)	1/4" x 3" (6.3 x 76.2)	716 (324.8)
B3092-3 1/2	3 11/16" (93.7)	2 1/2" (65)	1/2" (12.7)	1/4" x 3" (6.3 x 76.2)	717 (325.2)
B3092-4	4 1/4" (107.9)	3" (80)	1/2" (12.7)	3/8" x 3 1/2" (9.5 x 88.9)	1286 (583.3)
B3092-5	4 9/16" (115.9)	3" (80)	1/2" (12.7)	3/8" x 3 1/2" (9.5 x 88.9)	1321 (599.2)
B3092-6	5 1/2" (139.7)	3" (80)	5/8" (15.9)	1/2" x 3 1/2" (12.7 x 88.9)	1595 (723.5)
B3092-8	7" (177.8)	3" (80)	5/8" (15.9)	1/2" x 3 1/2" (12.7 x 88.9)	1815 (823.3)

All dimensions in charts and on drawings are in inches. Dimensions shown in parentheses are in millimeters unless otherwise specified.

B3093 - Adjustable Pipe Saddle Support

Size Range: 1" (25mm) thru 36" (900mm) pipe

Material: Steel with cast iron reducer

Function: Designed to support horizontal pipe from floor stanchion where vertical adjustment is required. U-bolt and hex nuts are provided to hold pipe securely to saddle. To complete floor stanchion, use with B3088T (page 42) threaded pipe stand.

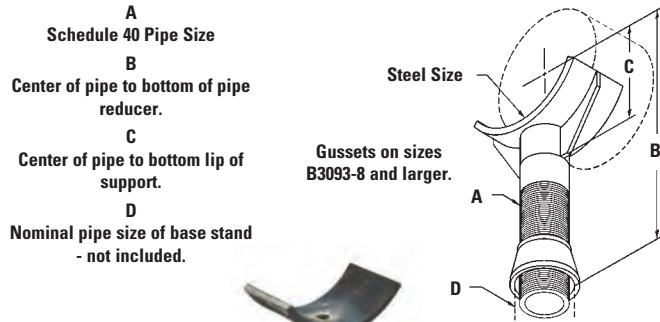
Approvals: Conforms to Federal Specification

WW-H-171E & A-A-1192A, Type 38 and Manufacturers Standardization Society ANSI/MSS SP-69 & SP-58, Type 37.

Finish: Plain. Contact customer service for alternative finishes and materials.

Order By: Figure number and finish

Note: Order with B3088T for complete stanchion support.



Part No.	Pipe Size in. (mm)	Maximum O.D. of Pipe in. (mm)	A in. (mm)	Minimum in. (mm)	B in. (mm)	Maximum in. (mm)	C in. (mm)
B3093-1	1" (25)	1 ⁵ / ₁₆ " (33.3)	³ / ₄ " (20)	5 ² / ₃₂ " (143.6)	10 ⁵ / ₃₂ " (257.9)	1 ²⁹ / ₃₂ " (48.4)	
B3093-1 ¹ / ₄	1 ¹ / ₄ " (32)	1 ¹¹ / ₁₆ " (42.9)	³ / ₄ " (20)	5 ⁵³ / ₆₄ " (148.0)	10 ²¹ / ₆₄ " (2262.3)	2 ⁵ / ₆₄ " (52.8)	
B3093-1 ¹ / ₂	1 ¹ / ₂ " (40)	1 ²⁹ / ₃₂ " (48.4)	³ / ₄ " (20)	6" (152.4)	10 ¹ / ₂ " (266.7)	2 ¹ / ₄ " (58.1)	
B3093-2	2" (50)	2 ³ / ₈ " (60.3)	³ / ₄ " (20)	6 ³ / ₁₆ " (157.2)	10 ¹¹ / ₁₆ " (271.5)	2 ⁷ / ₁₆ " (61.9)	
B3093-2 ¹ / ₂	2 ¹ / ₂ " (65)	2 ⁷ / ₈ " (73.0)	1 ¹ / ₂ " (40)	6 ⁵ / ₁₆ " (160.3)	10 ¹³ / ₁₆ " (274.6)	2 ⁹ / ₁₆ " (65.1)	
B3093-3	3" (80)	3 ¹ / ₂ " (88.9)	1 ¹ / ₂ " (40)	6 ⁵ / ₈ " (168.3)	11 ¹ / ₈ " (282.6)	2 ⁷ / ₈ " (73.0)	
B3093-3 ¹ / ₂	3 ¹ / ₂ " (90)	4" (101.6)	1 ¹ / ₂ " (40)	6 ⁷ / ₈ " (174.6)	11 ³ / ₈ " (288.9)	3 ¹ / ₈ " (79.4)	
B3093-4	4" (100)	4 ⁷ / ₈ " (123.8)	2 ¹ / ₂ " (65)	7 ¹ / ₄ " (184.1)	11 ³ / ₄ " (298.4)	3 ¹ / ₂ " (88.9)	
B3093-5	5" (125)	5 ⁹ / ₁₆ " (141.3)	2 ¹ / ₂ " (65)	7 ²⁵ / ₃₂ " (197.6)	12 ³ / ₃₂ " (311.9)	4 ¹ / ₃₂ " (102.4)	
B3093-6	6" (150)	7" (177.8)	2 ¹ / ₂ " (65)	8 ⁷ / ₁₆ " (214.3)	12 ¹⁵ / ₁₆ " (328.6)	4 ¹¹ / ₁₆ " (119.1)	
B3093-8	8" (200)	9 ¹ / ₈ " (231.8)	2 ¹ / ₂ " (65)	10 ¹ / ₄ " (260.3)	14 ³ / ₄ " (374.6)	6 ¹ / ₂ " (165.1)	

Part No.	D (Base Stand Not Supplied) in. (mm)	Saddle Steel Size in. (mm)	Approx. Wt./100	
			Complete Lbs. (kg)	Saddle Only Lbs. (kg)
B3093-1	1 ¹ / ₂ " (40)	¹ / ₄ " x 1 ³ / ₄ " (6.3 x 44.4)	189 (85.7)	49 (22.2)
B3093-1 ¹ / ₄	1 ¹ / ₂ " (40)	¹ / ₄ " x 1 ³ / ₄ " (6.3 x 44.4)	221 (100.2)	81 (36.7)
B3093-1 ¹ / ₂	1 ¹ / ₂ " (40)	¹ / ₄ " x 1 ³ / ₄ " (6.3 x 44.4)	228 (103.4)	88 (39.9)
B3093-2	1 ¹ / ₂ " (40)	¹ / ₄ " x 1 ³ / ₄ " (6.3 x 44.4)	234 (106.1)	94 (42.6)
B3093-2 ¹ / ₂	2 ¹ / ₂ " (65)	¹ / ₄ " x 3" (6.3 x 76.2)	567 (257.2)	167 (75.8)
B3093-3	2 ¹ / ₂ " (65)	¹ / ₄ " x 3" (6.3 x 76.2)	576 (261.3)	176 (79.9)
B3093-3 ¹ / ₂	2 ¹ / ₂ " (65)	¹ / ₄ " x 3" (6.3 x 76.2)	588 (266.7)	188 (85.3)
B3093-4	3" (80)	¹ / ₄ " x 4" (6.3 x 101.6)	1064 (482.6)	364 (165.1)
B3093-5	3" (80)	¹ / ₄ " x 4" (6.3 x 101.6)	1081 (490.3)	381 (172.8)
B3093-6	3" (80)	³ / ₈ " x 4" (9.5 x 101.6)	1234 (559.7)	534 (242.2)
B3093-8	3" (80)	³ / ₈ " x 4" (9.5 x 101.6)	1496 (678.6)	796 (361.1)

Note:

4" (100) thru 12" (300) fits both steel and ductile iron pipe.

For other ductile iron pipe sizes specify B3093DI - size.

3" (80) Ductile Iron uses B3093-3¹/₂

All dimensions in charts and on drawings are in inches. Dimensions shown in parentheses are in millimeters unless otherwise specified.

Seismic Bracing

TOLCO Fig. 828 - universal sway brace attachment to steel (UL listed)

Size Range: One size accommodates all Fig. 900 Series sway brace attachments. Fits from 3/8" (9.4mm) to 7/8" (22.2mm) thick steel structure. For thicknesses less than 3/8" (9.4mm) refer to Fig. 825 and Fig. 825A.

Material: Steel

Function: To attach sway bracing and/or hangers to various types of steel structural members.

Features: Permits secure non-friction connection without drilling or welding. Unique design allows offset placement on wide flange beam, C-channel, open web, welded steel trusses, etc. Secures brace to structure either across or along the beam. Break-off set bolts allow for visual verification of proper installation torque.

Approvals: Underwriters Laboratories Listed in the USA and Canada (cULus). Included in our Seismic Engineering Guidelines approved by the State of California Office of Statewide Health Planning and Development (OSHPD). For additional load, spacing and placement information relating to OSHPD projects, please refer to our Seismic Engineering Guidelines, OPM-0052-13. For FM Approval information refer to FM Approved page 53.

Installation Instructions: The Fig. 828 is the structural attachment component of a longitudinal or lateral sway brace assembly. It is intended to be combined with a TOLCO transitional attachment, "bracing pipe" and a TOLCO "braced pipe" attachment to form a complete bracing assembly. NFPA 13 guidelines should be followed.

To Install: Slide the Fig. 828 on the flange of the beam, truss, or girder. Be sure the attachment is fully engaged to the rear of the opening. Tighten the cone point set screws until the heads break off. Remove the flange nut from the carriage bolt. Install a TOLCO swivel fitting (Fig. 909, 910, 980, *986). Use flange nut to secure the swivel fitting.

*Not UL listed when used in combination with Fig. 986

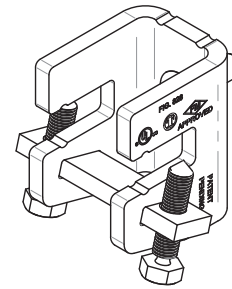
Finish: Plain or Electro-Galvanized

Approx. Weight/100: 341 Lbs. (154.7 kg)

Order By: Figure number and finish

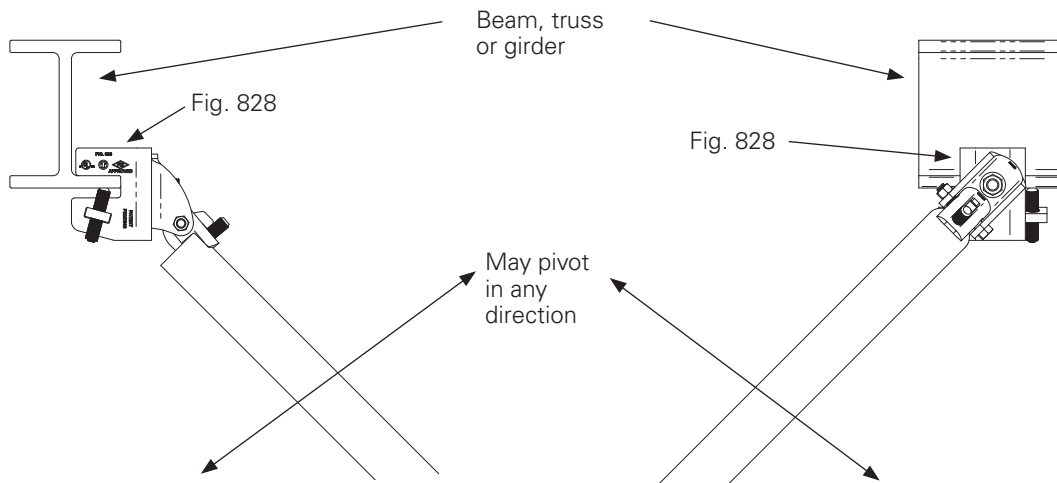
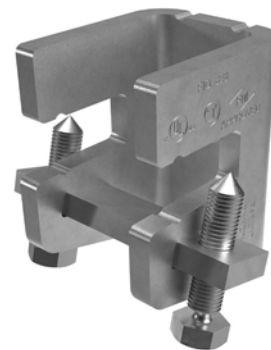
Patent Pending

Note: Retaining strap not required.



Set Screws and 1/2" Attachment Bolt and Nut Included

Flange thickness	Maximum UL Rated load
.375" - .499"	1090 lbs. (4.84kN)
.500" - .875"	1370 lbs. (6.09kN)



Eaton's B-Line series seismic bracing components are designed to be compatible only with other B-Line series bracing components, resulting in a listed seismic bracing assembly. Eaton B-Line Division warranty for seismic bracing components will be the warranty provided in Eaton B-Line Division standard terms and conditions of sale made available by Eaton, except that, in addition to the other exclusions from Eaton B-Line Division warranty, Eaton makes no warranty relating to B-Line series seismic bracing components that are combined with products not provided by Eaton.

TOLCO Fig. 828 - Universal sway brace attachment to steel (FM approved)

Size Range: One size accommodates all Fig. 900 Series sway brace attachments. Fits from $\frac{3}{8}$ " (9.4mm) to $\frac{7}{8}$ " (22.2mm) thick steel structure. For thicknesses less than $\frac{3}{8}$ " (9.4mm) refer to Fig. 825.

Material: Steel

Function: To attach sway bracing and/or hangers to various types of steel structural members.

Features: Permits secure non-friction connection without drilling or welding. Unique design allows offset placement on wide flange beam, C-channel, open web, welded steel trusses, etc. Secures brace to structure either across or along the beam. Break-off set bolts allow for visual verification of proper installation torque.

Approvals: Factory Mutual Approved (FM). Included in our Seismic Engineering Guidelines approved by the State of California Office of Statewide Health Planning and Development (OSHPD). For additional load, spacing and placement information relating to OSHPD projects, please refer to our Seismic Engineering Guidelines, OPM-0052-13. For UL Listed information refer to UL Listed page 52.

Installation Instructions: The Fig. 828 is the structural attachment component of a longitudinal or lateral sway brace assembly. It is intended to be combined with a TOLCO™ transitional attachment, "bracing pipe" and a TOLCO "braced pipe" attachment to form a complete bracing assembly. NFPA 13 or FM guidelines should be followed.

To Install: Slide the Fig. 828 on the flange of the beam, truss, or girder. Be sure the attachment is fully engaged to the rear of the opening. Tighten the cone point set screws until the heads break off. Remove the flange nut from the carriage bolt. Install a TOLCO swivel fitting (Fig. 909, 910, 980, *986). Use flange nut to secure the swivel fitting.

*Not UL listed when used in combination with Fig. 986

Finish: Plain or Electro-Galvanized

Approx. Weight/100: 341 Lbs. (154.7kg)

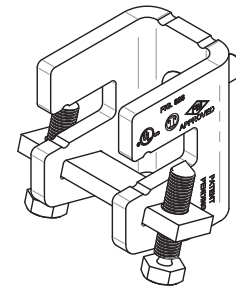
Order By: Figure number and finish

Patent Pending

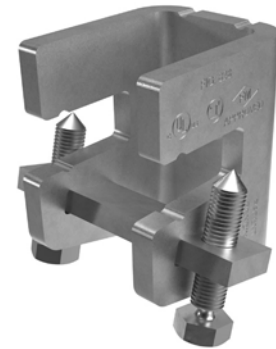
Designed to meet or exceed requirements of FM DS 2-8.

Note: Retaining strap not required.

OPM



Set Screws and 1/2" Attachment Bolt and Nut Included



Seismic Bracing

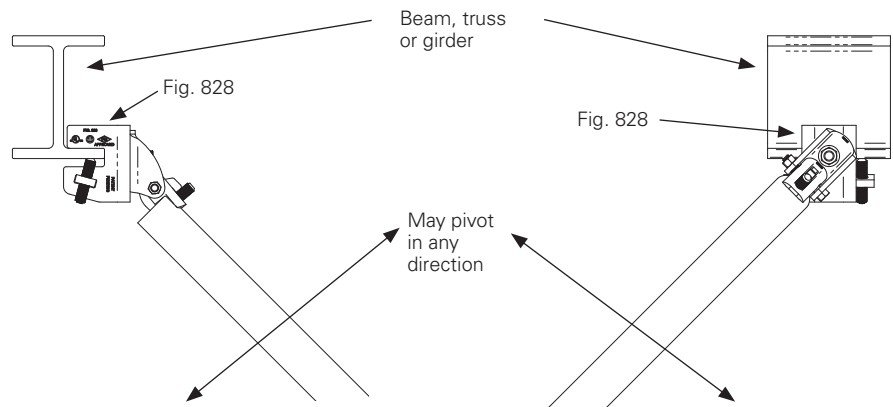
FM Approved Allowable Horizontal Load With Brace Perpendicular To Beam

Brace Angle (degrees from vertical)			
30°-44°	45°-59°	60°-74°	75°-90°
980	2220	3340	4040
(4.350kN)	(9.780kN)	(14.850kN)	(17.970kN)

FM Approved Allowable Horizontal Load With Brace Parallel To Beam

Brace Angle (degrees from vertical)			
30°-44°	45°-59°	60°-74°	75°-90°
820	1270	1490	1650
(3.640kN)	(5.640kN)	(6.620kN)	(7.330kN)

FM Approved design loads are based on ASD design method.



Eaton's B-Line series seismic bracing components are designed to be compatible only with other B-Line series bracing components, resulting in a listed seismic bracing assembly. Eaton B-Line Division warranty for seismic bracing components will be the warranty provided in Eaton B-Line Division standard terms and conditions of sale made available by Eaton, except that, in addition to the other exclusions from Eaton B-Line Division warranty, Eaton makes no warranty relating to B-Line series seismic bracing components that are combined with products not provided by Eaton.

Seismic Bracing

TOLCO Fig. 825 - bar joist sway brace attachment to steel (UL listed)

Size Range: One size accommodates all Fig. 900 Series sway brace attachments.

Material: Steel

Function: To attach sway bracing and hanger assemblies to steel members.

Features: This product's design incorporates a concentric attachment point which is critical to the performance of structural seismic connections. NFPA 13 indicates the importance of concentric loading of connections and fasteners. Permits secure non-friction connection without drilling or welding. Unique design reinforces point of connection to joist. Break off head set bolt design assures verification of proper installation torque (min. 31 ft.-lbs.).

Approvals: Underwriters Laboratories Listed in the USA (UL) and Canada (cUL). UL listed with Fig. 909, 910, and 980 series attachments and the following brace member type pipes: Sch. 40, KSD 3562. Included in our Seismic Engineering Guidelines approved by the State of California Office of Statewide Health Planning and Development (OSHPD). For additional load, spacing and placement information relating to OSHPD projects, please refer to our Seismic Engineering Guidelines, OPM-0052-13. For FM Approval information refer to FM Approved page 55.

Installation Instructions: Fig. 825 is the structural attachment component of a longitudinal or lateral sway brace assembly. It is intended to be combined with a TOLCO™ transitional attachment, "bracing pipe" and a TOLCO "braced pipe" attachment, to form a complete bracing assembly. NFPA 13 guidelines should be followed.

To Install: Place the Fig. 825 on the steel beam, tighten the cone point set bolts until heads break off. Attach other TOLCO transitional attachment fitting, Fig. 980, 910, 909, or any other TOLCO approved transitional fitting. Transitional fitting attachment can pivot for adjustment to proper brace angle.

Finish: Plain, Electro-Galvanized and HDG

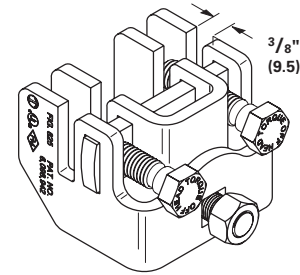
Approx. Wt./100: 247.5 Lbs. (112.2kg)

Order By: Figure number and finish

US Patent #6,098,942

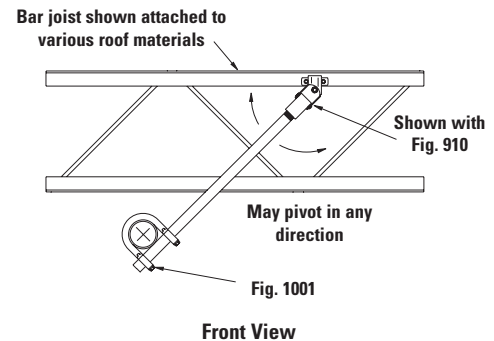
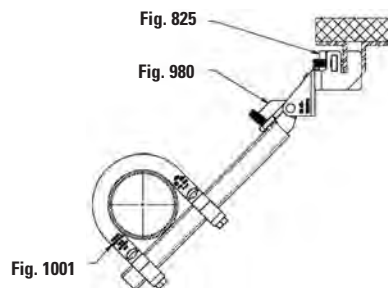
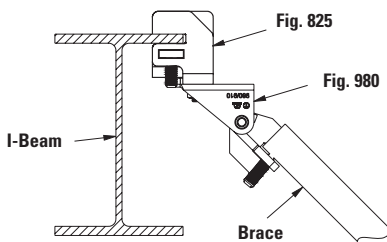
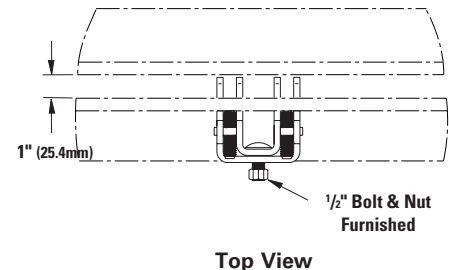
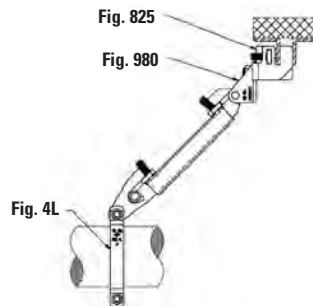
Canada Patent #2,286,659

Retaining strap not required.



Set Bolts & Hardware Included

Maximum Design Load	
825W/909-1370 lbs	(5.78 KN)
825W/910-1500 lbs	(7.11 KN)
825W/980-1600 lbs	(8.45 KN)



Eaton's B-Line series seismic bracing components are designed to be compatible only with other B-Line series bracing components, resulting in a listed seismic bracing assembly. Eaton B-Line Division warranty for seismic bracing components will be the warranty provided in Eaton B-Line Division standard terms and conditions of sale made available by Eaton, except that, in addition to the other exclusions from Eaton B-Line Division warranty, Eaton makes no warranty relating to B-Line series seismic bracing components that are combined with products not provided by Eaton.

All dimensions in charts and on drawings are in inches. Dimensions shown in parentheses are in millimeters unless otherwise specified.

TOLCO Fig. 825 - bar joist sway brace attachment to steel (FM approved)

Size Range: One size accommodates all Fig. 900 Series sway brace attachments.

Material: Steel

Function: To attach sway bracing and hanger assemblies to steel members.

Features: This product's design incorporates a concentric attachment point which is critical to the performance of structural seismic connections. NFPA 13 indicates the importance of concentric loading of connections and fasteners. Permits secure non-friction connection without drilling or welding. Unique design reinforces point of connection to joist. Break off head set bolt design assures verification of proper installation torque (min. 31 ft.-lbs.).

Approvals: Approved by Factory Mutual Engineering (FM). Included in our Seismic Engineering Guidelines approved by the State of California Office of Statewide Health Planning and Development (OSHPD). For additional load, spacing and placement information relating to OSHPD projects, please refer to our Seismic Engineering Guidelines, OPM-0052-13. For UL Listed information refer to UL Listed page 54.

Installation Instructions: Fig. 825 is the structural attachment component of a longitudinal or lateral sway brace assembly. It is intended to be combined with a TOLCO™ transitional attachment, "bracing pipe" and a TOLCO "braced pipe" attachment, to form a complete bracing assembly. NFPA 13 or FM guidelines should be followed.

To Install: Place the Fig. 825 on the steel beam, tighten the cone point set bolts until heads break off. Attach other TOLCO transitional attachment fitting, Fig. 980, 910, 909, or any other TOLCO approved transitional fitting. Transitional fitting attachment can pivot for adjustment to proper brace angle.

Finish: Plain, Electro-Galvanized and HDG

Approx. Wt./100: 247.5 Lbs. (112.2kg)

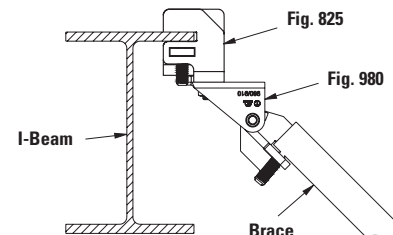
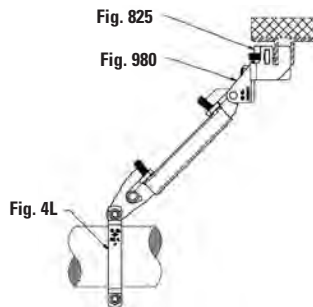
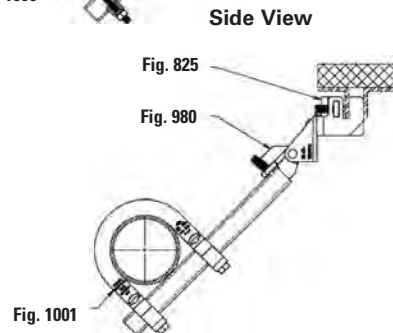
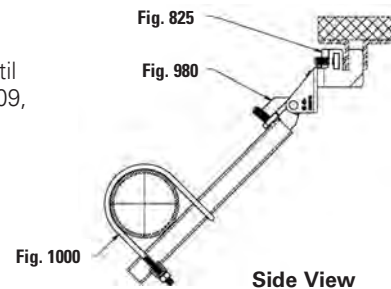
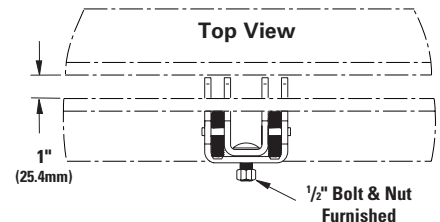
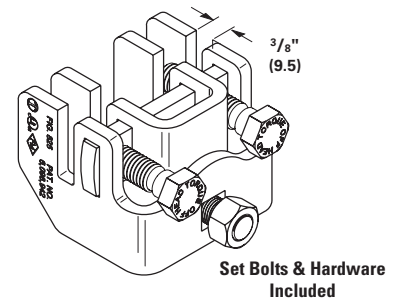
Order By: Figure number and finish

US Patent #6,098,942,
Canada Patent #2,286,659

Designed to meet or exceed requirements of FM DS 2-8.

Retaining strap not required.

FM Approved design loads are based on ASD design method.



FM Approved Design Loads

		30°-44°	45°-59°	60°-74°	75°-90°
		lbs. / (kN)	lbs. / (kN)	lbs. / (kN)	lbs. / (kN)
Maximum	Perpendicular to Structural Member	990	1360	1670	1860
3/8" Thick Flange		(4.40)	(6.05)	(7.43)	(8.27)
Maximum	Parallel to Structural Member	460	630	770	860
3/8" Thick Flange		(2.04)	(2.80)	(3.42)	(3.82)

Eaton's B-Line series seismic bracing components are designed to be compatible only with other B-Line series bracing components, resulting in a listed seismic bracing assembly. Eaton B-Line Division warranty for seismic bracing components will be the warranty provided in Eaton B-Line Division standard terms and conditions of sale made available by Eaton, except that, in addition to the other exclusions from Eaton B-Line Division warranty, Eaton makes no warranty relating to B-Line series seismic bracing components that are combined with products not provided by Eaton.

All dimensions in charts and on drawings are in inches. Dimensions shown in parentheses are in millimeters unless otherwise specified.

Seismic Bracing

TOLCO Fig. 825A - bar joist sway brace attachment to steel

Size Range: One size accommodates all Fig. 900 Series sway brace attachments.

Material: Steel

Function: To attach sway bracing and/or hanger to steel structural members.

Features: This product's design incorporates a concentric attachment point which is critical to the performance of structural seismic connections. NFPA 13 indicates the importance of concentric loading of connections and fasteners. Permits secure non-friction connection without drilling or welding. Unique design reinforces point of connection to joist. Break off head bolt design assures verification of proper installation.

Approvals: Underwriters Laboratories Listed in the USA (**UL**) and Canada (**cUL**). UL listed with Fig. 909, 910, and 980 series attachments and the following brace member type pipes: Sch. 40, KSD 3562. Included in our Seismic Engineering Guidelines approved by the State of California Office of Statewide Health Planning and Development (**OSHPD**). For additional load, spacing and placement information relating to OSHPD projects, please refer to our Seismic Engineering Guidelines, OPM-0052-13.

Installation Instructions: Fig. 825A is the structural attachment component of a longitudinal or lateral sway brace assembly. It is intended to be combined with a TOLCO™ transitional attachment, "bracing pipe" and a TOLCO "braced pipe" attachment to form a complete bracing assembly. NFPA 13 guidelines should be followed.

To Install: Place the Fig. 825A on the steel beam, tighten the cone point set bolts until heads break off. Attach other TOLCO transitional attachment fitting, Fig. 980, 910, 909, or any other TOLCO approved transitional fitting. Transitional fitting attachment can pivot for adjustment to proper brace angle.

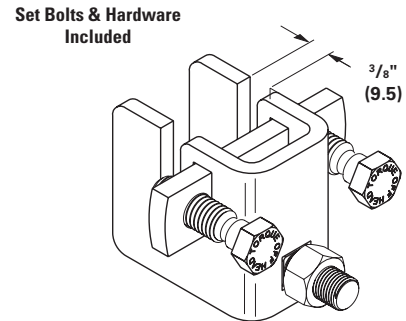
Finish: Plain or Electro-Galvanized

Approx. Wt./100: 154.5 Lbs. (70.1kg)

Order By: Figure number and finish

Patent #6,098,942

Retaining strap not required.

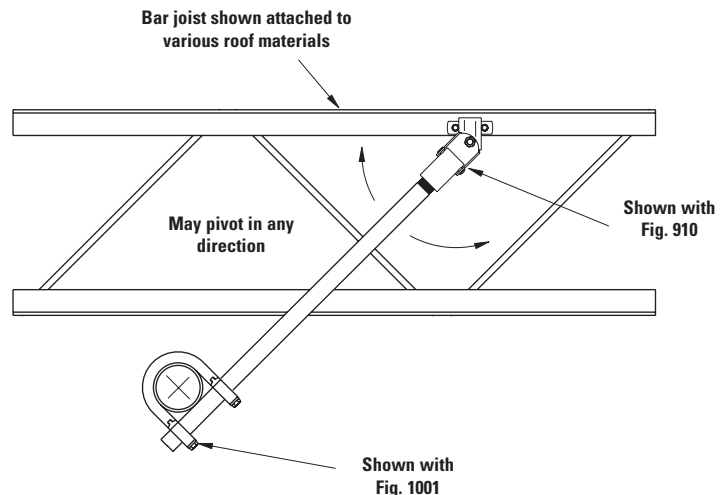


Maximum Design Load

825A 700 lbs. (3.11kN)

UL Listed as a hanger

up to 4" (3.55kN)



Eaton's B-Line series seismic bracing components are designed to be compatible only with other B-Line series bracing components, resulting in a listed seismic bracing assembly. Eaton B-Line Division warranty for seismic bracing components will be the warranty provided in Eaton B-Line Division standard terms and conditions of sale made available by Eaton, except that, in addition to the other exclusions from Eaton B-Line Division warranty, Eaton makes no warranty relating to B-Line series seismic bracing components that are combined with products not provided by Eaton.

All dimensions in charts and on drawings are in inches. Dimensions shown in parentheses are in millimeters unless otherwise specified.

TOLCO Fig. 906 - sway brace multi-fastener adapter

Material: Steel



Application: Allows sway brace fittings to develop greater load carrying ability by providing multiple fastener attachments for steel and wood. The National Fire Protection (NFPA) provides information on fastener loads to various structures. Refer to NFPA 13 (2016) 9.3.5.9.1.

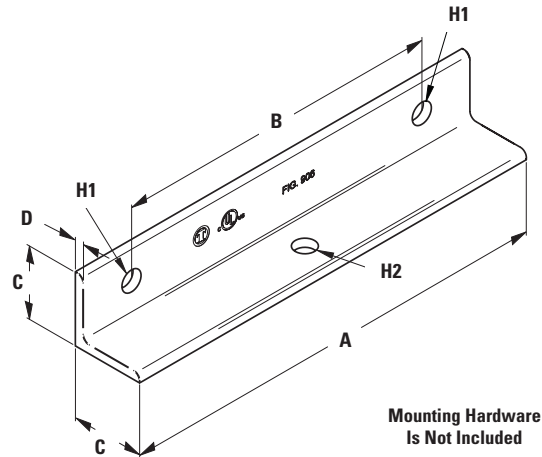
Approvals: Underwriters Laboratories Listed in the USA (UL) and Canada (cUL) only when used with TOLCO™ Fig. 900 Series Earthquake Brace Attachments. Included in our Seismic Engineering Guidelines approved by the State of California Office of Statewide Health Planning and Development (OSHPD). For additional load, spacing and placement information relating to OSHPD projects, please refer to our Seismic Engineering Guidelines, OPM-0052-13.

Installation Instructions: Fig. 906 is a multiple fastener structural attachment component of a longitudinal or lateral sway brace assembly. It is intended to be combined with a TOLCO transitional attachment, "bracing pipe" and a TOLCO "braced pipe" attachment to form a complete bracing assembly. NFPA 13 guidelines should be followed.

To Install: Attach the Fig. 906 to the structural surface as per fastener design guidelines. Attach other TOLCO transitional attachment fitting, Fig. 980, 910, 909, or any other TOLCO approved transitional fitting. Transitional fitting attachment can pivot for adjustment to proper brace angle.

Finish: Plain or Electro-Galvanized. Contact customer service for alternative finishes and materials.

Order By: Figure number and specify dimensions H1 and H2.



Part Number	A in. (mm)	B in. (mm)	C in. (mm)	D in. (mm)	H1	H2	Approx. Wt./100 Lbs. (kg)
906	12" (305.0)	9" (228.6)	2.5" (63.5)	1/4" (6.3)	Specify	Specify	394 (178.7)
906-12	15" (381.0)	12" (304.8)	2.5" (63.5)	1/4" (6.3)	Specify	Specify	494 (224.1)

Load Note: Actual design load determined by anchor and concrete strength, not to exceed the UL Listed maximum load of 1200 lbs (5.33kN). Load is for Fig. 906. If combined load of anchors is less, must reduce to anchor maximum capacity.

Eaton's B-Line series seismic bracing components are designed to be compatible only with other B-Line series bracing components, resulting in a listed seismic bracing assembly. Eaton B-Line Division warranty for seismic bracing components will be the warranty provided in Eaton B-Line Division standard terms and conditions of sale made available by Eaton, except that, in addition to the other exclusions from Eaton B-Line Division warranty, Eaton makes no warranty relating to B-Line series seismic bracing components that are combined with products not provided by Eaton.

All dimensions in charts and on drawings are in inches. Dimensions shown in parentheses are in millimeters unless otherwise specified.

Seismic Bracing

TOLCO Fig. 800 - adjustable sway brace attachment to steel (UL listed)

Size Range: 4" (101.6mm) thru 18" (457.2mm) beam width

Material: Steel

Function: Seismic brace attachment to steel.

Features: This product's design incorporates a concentric attachment point which is critical to the performance of structural seismic connections. NFPA 13 indicates the importance of concentric loading of connections and fasteners. Permits secure connection to steel where drilling and/or welding of brace connection could present structural issues.

Installation Instructions: Fig. 800 is the structural attachment component of a longitudinal or lateral sway brace assembly. It is intended to be combined with a TOLCO™ transitional attachment, "bracing pipe" and a TOLCO "braced pipe" attachment to form a complete bracing assembly. NFPA 13 guidelines should be followed.

To Install: Place the Fig. 800 on the steel beam, tighten the cone point set bolts on flange until the heads break off. Tighten hex head bolts into clamp body until lock washers are fully flat. Attach other TOLCO transitional attachment fitting, Fig. 980, 910, 909, or any other TOLCO approved transitional fitting. Transitional fitting attachment can pivot for adjustment to proper brace angle.

Approvals: Underwriters Laboratories Listed in the USA (UL) and Canada (cUL). UL listed with Fig. 909, 910, 980, 909 series attachments and the following brace member type pipes: Sch. 40, KSD 3562. Included in our Seismic Engineering Guidelines approved by the State of California Office of Statewide Health Planning and Development (OSHPD). For additional load, spacing and placement information relating to OSHPD projects, please refer to our Seismic Engineering Guidelines, OPM-0052-13.

For FM Approval information refer to FM Approved page 59.

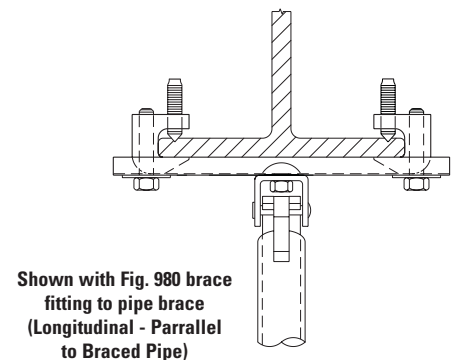
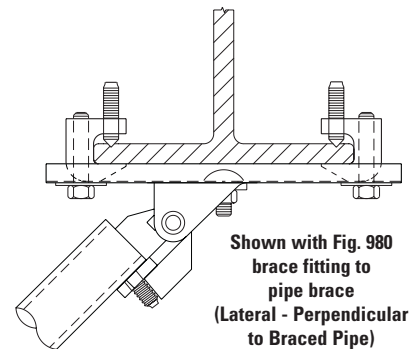
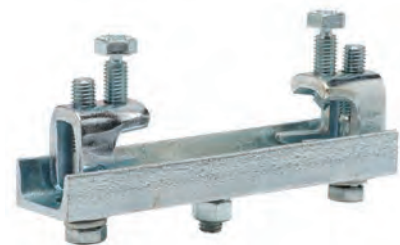
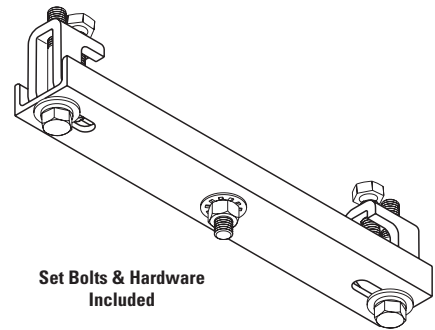
Finish: Plain, Electro-Galvanized and Hot Dip Galvanized. Contact customer service for alternative finishes and materials.

Order By: Figure number, type number and size number.
Example: FIG. 800 TYPE2X14-16

Type	Fits Beam Flange Thickness	
	in.	(mm)
800 TYPE1	Up to 3/4"	(Up to 19.0)
800 TYPE2	3/4" to 1 1/4"	(19.0 to 31.7)

Fits Flange Width Range			Max.Design Loads (cULus) Along or Across Beam		
Part #	in.	(mm)	Fig. 909 lbs. (kN)	Fig. 910 lbs. (kN)	Fig. 980 lbs. (kN)
800-1	4"-6"	(101.6-152.4)			
800-2	6"-8"	(152.4-203.2)			
800-3	8"-10"	(203.2-254.0)	1270~ (5.65)	1400~ (6.23)	1400~ (6.23)
800-4	10"-12"	(254.0-304.8)			
800-5	12"-14"	(304.8-355.6)	1270~ (5.65)	1300~ (5.78)	1300~ (5.78)
800-6	14"-16"	(355.6-406.4)			
800-7	16"-18"	(406.4-457.2)	900~ (4.00)	900~ (4.00)	900~ (4.00)

Eaton's B-Line series seismic bracing components are designed to be compatible only with other B-Line series bracing components, resulting in a listed seismic bracing assembly. Eaton B-Line Division warranty for seismic bracing components will be the warranty provided in Eaton B-Line Division standard terms and conditions of sale made available by Eaton, except that, in addition to the other exclusions from Eaton B-Line Division warranty, Eaton makes no warranty relating to B-Line series seismic bracing components that are combined with products not provided by Eaton.



All dimensions in charts and on drawings are in inches. Dimensions shown in parentheses are in millimeters unless otherwise specified.

TOLCO Fig. 800 - adjustable sway brace attachment to steel (FM approved)

Size Range: 4" (101.6mm) thru 18" (457.2mm) beam width

Material: Steel

Function: Seismic brace attachment to steel.

Features: This product's design incorporates a concentric attachment point which is critical to the performance of structural seismic connections. NFPA 13 indicates the importance of concentric loading of connections and fasteners. Permits secure connection to steel where drilling and/or welding of brace connection could present structural issues.

Installation Instructions: Fig. 800 is the structural attachment component of a longitudinal or lateral sway brace assembly. It is intended to be combined with a TOLCO™ transitional attachment, "bracing pipe" and a TOLCO "braced pipe" attachment to form a complete bracing assembly. NFPA 13 guidelines should be followed.

To Install: Place the Fig. 800 on the steel beam, tighten the cone point set bolts on flange until the heads break off. Tighten hex head bolts into clamp body until lock washers are fully flat. Attach other TOLCO transitional attachment fitting, Fig. 980, 910, 909, or any other TOLCO approved transitional fitting. Transitional fitting attachment can pivot for adjustment to proper brace angle.

Approvals: Approved by Factory Mutual Engineering (FM).

Included in our Seismic Engineering Guidelines approved by the State of California Office of Statewide Health Planning and Development (OSHPD). For additional load, spacing and placement information relating to OSHPD projects, please refer to our Seismic Engineering Guidelines, OPM-0052-13.

For UL Listed information refer to UL Listed page 58.

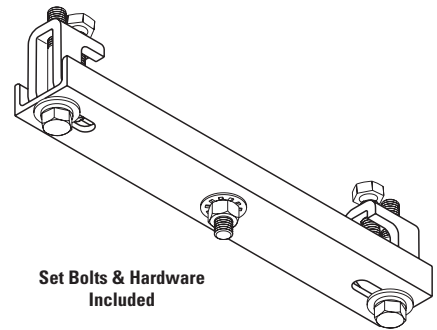
Finish: Plain, Hot Dip Galvanized or Electro-Galvanized. Contact customer service for alternative finishes and materials.

Order By: Figure number, type number and size number.

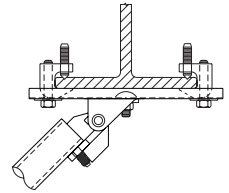
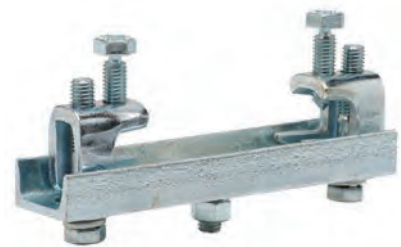
Example: FIG. 800 TYPE2X14-16

Designed to meet or exceed requirements of FM DS 2-8.

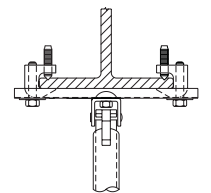
OPM



Set Bolts & Hardware Included



Shown with Fig. 980 brace fitting to pipe brace (Lateral - Perpendicular to Braced Pipe)



Shown with Fig. 980 brace fitting to pipe brace (Longitudinal - Parallel to Braced Pipe)

Type	Fits Beam Flange Thickness in. (mm)	Max.Design Loads (FM)*							
		Lateral - Parallel to Structural Member				Longitudinal - Perpendicular to Structural Member			
		30°-44° lbs./(kN)	45°-59° lbs./(kN)	60°-74° lbs./(kN)	75°-90° lbs./(kN)	30°-44° lbs./(kN)	45°-59° lbs./(kN)	60°-74° lbs./(kN)	75°-90° lbs./(kN)
800 TYPE1	Up to 3/4" (Up to 19.0)	1430 (6.36)	1970 (8.76)	1980 (8.81)	NR (NR)	930 (4.13)	1310 (5.82)	1610 (7.16)	1800 (8.00)
800 TYPE2	3/4" to 1 1/4" (19.0 to 31.7)	NR (NR)	NR (NR)	NR (NR)	NR (NR)	NR (NR)	NR (NR)	NR (NR)	NR (NR)

	Fits Flange Width Range	
	in.	(mm)
4-6	4"-6"	(101.6-152.4)
6-8	6"-8"	(152.4-203.2)
8-10	8"-10"	(203.2-254.0)
10-12	10"-12"	(254.0-304.8)
12-14	12"-14"	(304.8-355.6)
14-16	14"-16"	(355.6-406.4)
16-18	16"-18"	(406.4-457.2)

* The loads listed are axial loads on the brace. The horizontal load capacity, H, of the brace is: $H = F \times \sin \theta$, where θ is the installation angle measured from the vertical.

FM Approved design loads are based on ASD design method.

Eaton's B-Line series seismic bracing components are designed to be compatible only with other B-Line series bracing components, resulting in a listed seismic bracing assembly. Eaton B-Line Division warranty for seismic bracing components will be the warranty provided in Eaton B-Line Division standard terms and conditions of sale made available by Eaton, except that, in addition to the other exclusions from Eaton B-Line Division warranty, Eaton makes no warranty relating to B-Line series seismic bracing components that are combined with products not provided by Eaton.

All dimensions in charts and on drawings are in inches. Dimensions shown in parentheses are in millimeters unless otherwise specified.

Seismic Bracing

Fig. 980 - TOLCO Universal swivel sway brace attachment - $3/8$ "-16 to $3/4$ "-10 rods

Fig. 980H - TOLCO Universal swivel sway brace attachment - $7/8$ "-9 to $1 1/4$ "-7

Size Range: One size fits bracing pipe 1" (25mm) thru 2" (50mm), B-Line series 12 gauge (2.6mm) channel.

Material: Carbon steel

Function: Multi-functional attachment to structure or braced pipe fitting.

Features: This product's design incorporates a concentric attachment opening which is critical to the performance of structural seismic connections and in accordance with NFPA 13, 2019 Section 18.5.11.5. The Fig. 980 mounts to any surface angle and the break off bolt head assures verification of proper installation.

Installation: Fig.980 is the structural or transitional attachment component of a longitudinal or lateral sway brace assembly. It is intended to be combined with the "bracing pipe" and TOLCO™ "braced pipe" attachment, Fig. 1001, 2002, 3000, 4L or approved attachment to pipe to form a complete bracing assembly. NFPA 13 guidelines should be followed.

To Install: Place the Fig. 980 onto the "bracing pipe". Tighten the set bolt until the head breaks off. Attachment can pivot for adjustment to proper brace angle.

Approvals: —Underwriters Laboratories Listed in the USA (UL) and Canada (cUL). UL Listed for the following brace member type pipes: Sch. 40, KSD 3562. Ask the factory for additional information as it may vary by product size. Included in our Seismic Engineering Guidelines approved by the State of California Office of Statewide Health Planning and Development (OSHPD). For additional load, spacing and placement information relating to OSHPD projects, please refer to our Seismic Engineering Guidelines, OPM-0052-13. For FM Approval information refer to FM Approved page 61.

Note: Fig. 980 Swivel Attachment and Fig. 1001, 2002, 3000, 4L, or approved attachment to pipe make up a sway brace system of UL Listed attachments and bracing materials which satisfies the requirements of Underwriters Laboratories and the National Fire Protection Association (NFPA)

Finish: Plain, Electro-Galvanized or Stainless Steel.

Contact customer service for alternative finishes.

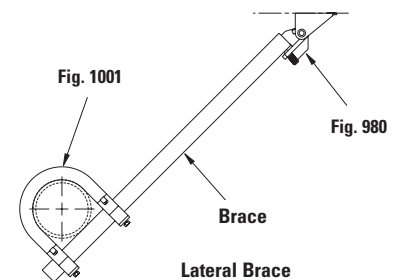
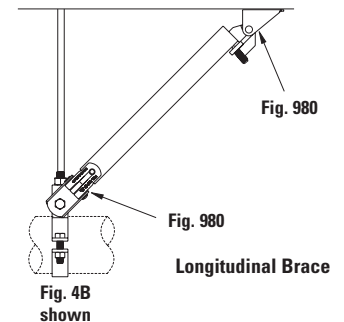
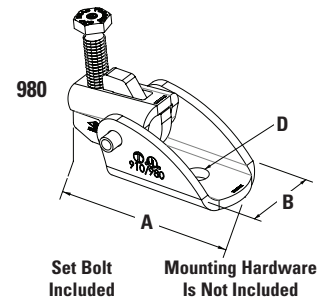
Order By: Figure number and finish.

Pat. #6,273,372, Pat. #6,517,030, Pat. #6,953,174,
Pat. #6,708,930, Pat. #7,191,987, Pat. #7,441,730,
Pat. #7,669,806

Catalog #	A in. (mm)	B in. (mm)	D** in. (mm)	Max. Design Load (cULus) lbs./(kN)	Approx.Wt./100 lbs. (kg)
*980- $3/8$	4 $9/16$ (114.9)	2 $1/16$ (52.4)	$7/16$ (11.1)	1600 (7.12)	149 (67.6)
*980- $1/2$			$9/16$ (14.3)	2100 (9.34)	148 (67.1)
*980- $5/8$			$11/16$ (17.5)	2100 (9.34)	147 (66.7)
*980- $3/4$			$13/16$ (20.6)	2100 (9.34)	146 (66.2)
980H- $7/8$	6 $3/4$ (171.4)	3 $1/2$ (88.9)	$15/16$ (23.8)	Fig. 980H is not UL Listed or FM Approved	402 (182.3)
980H-1			$1 1/16$ (27.0)	400 (181.4)	
980H- $1 1/8$			$1 3/16$ (30.2)	397 (180.1)	
980H- $1 1/4$			$1 5/16$ (33.3)	390 (176.9)	

* Sizes available in stainless steel (980S- $3/8$, 980S- $1/2$, 980S- $5/8$, and 980S- $3/4$) and have the same UL rating as what is listed.

** Mounting attachment hole size.



Eaton's B-Line series seismic bracing components are designed to be compatible only with other B-Line series bracing components, resulting in a listed seismic bracing assembly. Eaton B-Line Division warranty for seismic bracing components will be the warranty provided in Eaton B-Line Division standard terms and conditions of sale made available by Eaton, except that, in addition to the other exclusions from Eaton B-Line Division warranty, Eaton makes no warranty relating to B-Line series seismic bracing components that are combined with products not provided by Eaton.

All dimensions in charts and on drawings are in inches. Dimensions shown in parentheses are in millimeters unless otherwise specified.

Fig. 980 - TOLCO Universal swivel sway brace attachment - $3/8"$ -16 to $3/4"$ -10 rods Fig. 980H - TOLCO Universal swivel sway brace attachment - $7/8"$ -9 to $1 1/4"$ -7

Size Range: One size fits bracing pipe 1" (25mm) thru 2" (50mm), B-Line series 12 gauge (2.6mm) channel.

Material: Carbon steel

Function: Multi-functional attachment to structure or braced pipe fitting.

Features: This product's design incorporates a concentric attachment opening which is critical to the performance of structural seismic connections and in accordance with NFPA 13, 2019 Section 18.5.11.5. The Fig. 980 mounts to any surface angle and the break off bolt head assures verification of proper installation.

Installation: Fig.980 is the structural or transitional attachment component of a longitudinal or lateral sway brace assembly. It is intended to be combined with the "bracing pipe" and TOLCO™ "braced pipe" attachment, Fig. 1000, 1001, 3000, 4L, or other TOLCO approved attachment to pipe to form a complete bracing assembly. NFPA 13 guidelines should be followed.

To Install: Place the Fig. 980 onto the "bracing pipe". Tighten the set bolt until the head breaks off. Attachment can pivot for adjustment to proper brace angle.

Approvals: —Approved by Factory Mutual Engineering (FM). Included in our Seismic Engineering Guidelines approved by the State of California Office of Statewide Health Planning and Development (OSHPD). For additional load, spacing and placement information relating to OSHPD projects, please refer to our Seismic Engineering Guidelines, OPM-0052-13. For UL Listed information refer to UL Listed page 60.

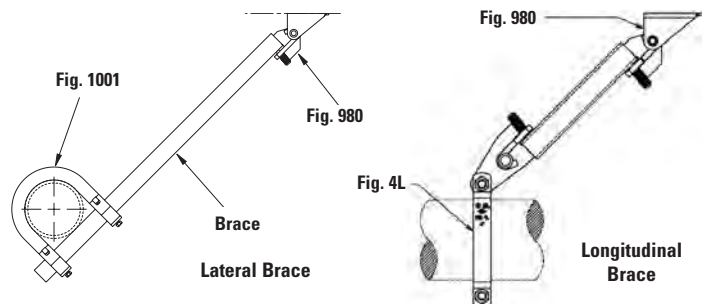
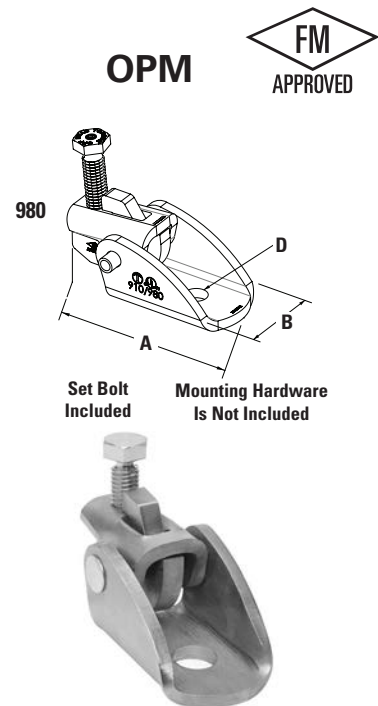
Note: Fig. 980 Swivel Attachment and Fig. 1000, 1001, 4L or other TOLCO approved attachment to pipe that make up a sway brace system of bracing materials which satisfies the requirements of Factory Mutual Engineering and the National Fire Protection Association (NFPA)

Finish: Plain, Electro-Galvanized or Stainless Steel. Contact customer service for alternative finishes.

Order By: Figure number and finish.

Pat. #6,273,372, Pat. #6,517,030, Pat. #6,953,174,
Pat. #6,708,930, Pat. #7,191,987, Pat. #7,441,730,
Pat. #7,669,806

Designed to meet or exceed requirements of FM DS 2-8.



Catalog #	A		B		D**		Max. Design Load*** (FM)				Approx.Wt./100 lbs. (kg)					
	in.	(mm)	in.	(mm)	in.	(mm)	30°-44° lbs./(kN)	45°-59° lbs./(kN)	60°-74° lbs./(kN)	75°-90° lbs./(kN)						
980- $3/8$	4 $9/16$	(114.9)	2 $1/16$	(52.4)	7 $/16$	(11.1)	2370	2790	3360	3750	149	(67.6)				
980- $1/2$					9 $/16$	(14.3)							148	(67.1)		
980- $5/8$					11 $/16$	(17.5)									147	(66.7)
980- $3/4$					13 $/16$	(20.6)										
980H- $7/8$	15 $/16$	(23.8)	402	(182.3)												
980H-1	1 $1/16$	(27.0)			400	(181.4)										
980H-1 $1/8$	6 $3/4$	(171.4)					1 $3/16$	(30.2)	397	(180.1)						
980H-1 $1/4$	3 $1/2$	(88.9)					1 $5/16$	(33.3)			390	(176.9)				

** Mounting attachment hole size.

*** Installed with 1" or 1 $1/4$ " schedule 40 brace pipe.

Eaton's B-Line series seismic bracing components are designed to be compatible only with other B-Line series bracing components, resulting in a listed seismic bracing assembly. Eaton B-Line Division warranty for seismic bracing components will be the warranty provided in Eaton B-Line Division standard terms and conditions of sale made available by Eaton, except that, in addition to the other exclusions from Eaton B-Line Division warranty, Eaton makes no warranty relating to B-Line series seismic bracing components that are combined with products not provided by Eaton.

All dimensions in charts and on drawings are in inches. Dimensions shown in parentheses are in millimeters unless otherwise specified.

Seismic Bracing

TOLCO Fig. 909 - no-thread swivel sway brace attachment (UL listed)

Size Range: 1" (25mm) bracing pipe. For brace pipe sizes larger than 1" (25mm), use Fig. 980. Available with holes for 3/8", 1/2" or 5/8" attachment.

Material: Steel, hardened cone point set bolt

Function: The structural component of a sway and seismic bracing system.

Features: This product's design incorporates a concentric attachment opening which is critical to the performance of structural seismic connections. NFPA 13 indicates clearly that fastener table load values are based only on concentric loading. No threading of the bracing pipe is required. Open design allows for easy inspection of pipe engagement.

Application Note: Fig. 909 is used in conjunction with the Fig. 1001 or Fig. 4L or other approved TOLCO attachment to pipe, and joined together with bracing pipe. Sway brace assemblies are intended to be installed in accordance with NFPA 13. The required type, number and size of fasteners used for the structure attachment fitting shall be in accordance with NFPA 13.

Approvals: Underwriters Laboratories Listed in the USA (UL) and Canada (cUL). UL Listed for the following brace member type pipes: Sch. 40, KSD 3562. Included in our Seismic Engineering Guidelines approved by the State of California Office of Statewide Health Planning and Development (OSHPD). For additional load, spacing and placement information relating to OSHPD projects, please refer to our Seismic Engineering Guidelines, OPM-0052-13.

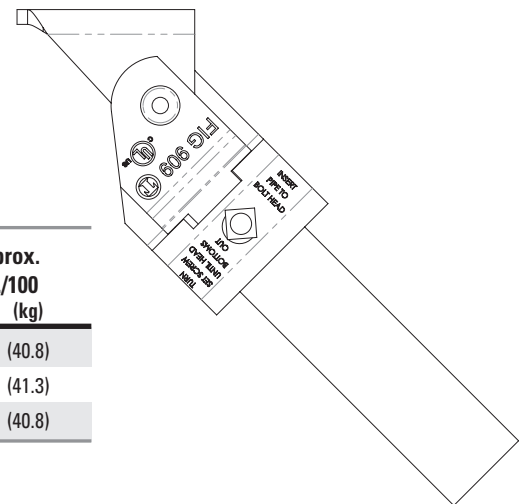
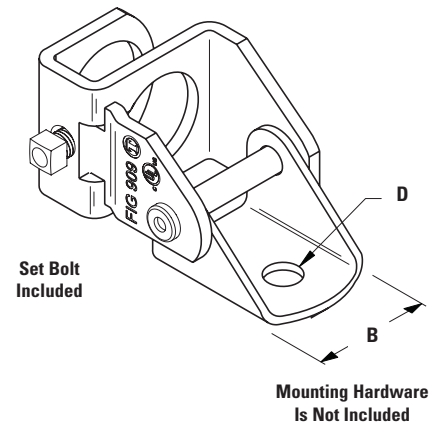
Installation Instructions: Place Fig. 909 onto the bracing pipe. Tighten the set screw until the head bottoms out on surface. When using in combination with a Fig. 825A, Fig. 825, Fig. 828, or Fig. 906, refer to those instruction sheets, otherwise select an anchor that is sized appropriately for the intended use and follow anchor manufacturer's instructions regarding structural thickness and embedment requirements. The required type, number and size of fasteners used for the structure attachment fitting shall be in accordance with NFPA 13. Once the anchor is installed per the manufacturer's direction, secure the Fig. 909 to the anchor. Attachment can pivot for adjustment to proper brace angle.

Finish: Plain or Electro-Galvanized. Contact customer service for alternative finishes and materials.

Order By: Figure number, fastener attachment size and finish.

Part Number	Mounting Hole D in. (mm)	Brace Pipe Size in. (mm)	B in. (mm)	Max. Design Load lbs. (kN)	Approx. Wt./100 lbs. (kg)
909-3/8	7/16" (11.1)	1" (25)	1 5/8" (41.3)	1370 (6.09)	90 (40.8)
909-1/2 *	17/32" (13.5)	1" (25)	1 5/8" (41.3)	1370 (6.09)	91 (41.3)
909-5/8	11/16" (17.5)	1" (25)	1 5/8" (41.3)	1370 (6.09)	90 (40.8)

* Standard size.



Eaton's B-Line series seismic bracing components are designed to be compatible only with other B-Line series bracing components, resulting in a listed seismic bracing assembly. Eaton B-Line Division warranty for seismic bracing components will be the warranty provided in Eaton B-Line Division standard terms and conditions of sale made available by Eaton, except that, in addition to the other exclusions from Eaton B-Line Division warranty, Eaton makes no warranty relating to B-Line series seismic bracing components that are combined with products not provided by Eaton.

All dimensions in charts and on drawings are in inches. Dimensions shown in parentheses are in millimeters unless otherwise specified.

TOLCO Fig. 910 - threaded swivel sway brace attachment (UL listed)

Size Range: 1" (25mm) bracing pipe. For brace pipe sizes larger than 1" (25mm), use Fig. 980. Available with holes for 1/2" fastener attachment.

Material: Steel

Function: The Fig. 910, is the structural or transitional attachment component of a longitudinal or lateral sway brace assembly. It is intended to be combined with a 1" "bracing pipe", and TOLCO™ "braced pipe" attachment to form a complete bracing assembly. Sway brace assemblies are intended to be installed in accordance with NFPA 13 and the manufacturer's installation instructions

Features: This product's design incorporates a concentric attachment opening which is critical to the performance of structural seismic connections. NFPA 13 (2010) 9.3.5.8.4 and (2013-2016) 9.3.5.11.5 indicates that fastener table load values are based only on concentric loading. Universal swivel design allows Fig. 910 to be attached at any surface angle.

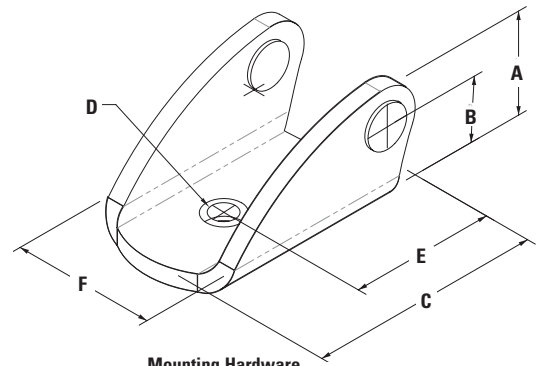
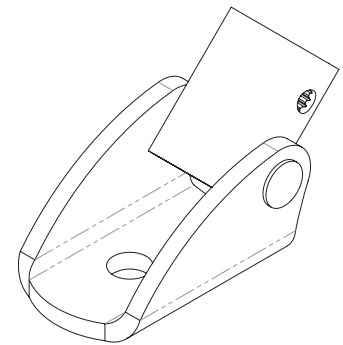
Approvals: Underwriters Laboratories Listed in the USA (UL) and Canada (cUL). (cUL). UL Listed for the following brace member type pipes: Sch. 40. Included in our Seismic Engineering Guidelines approved by the State of California Office of Statewide Health Planning and Development (OSHPD). For additional load, spacing and placement information relating to OSHPD projects, please refer to our Seismic Engineering Guidelines, OPM-0052-13.

Installation Instructions: Thread the 1" brace pipe into the Fig. 910 until pipe threads are visible through inspection site hole. When using in combination with a Fig. 825A, Fig. 825, Fig. 828, or Fig. 906 refer to those instruction sheets, otherwise select an anchor that is sized appropriately for the intended use and follow anchor manufacturer's instructions regarding structural thickness and embedment requirements. The required type, number and size of fasteners used for the structure attachment fitting shall be in accordance with NFPA 13. Once the anchor is installed per the manufacturer's direction, secure the Fig. 910 to the anchor. Attachment can pivot for adjustment to proper brace angle.

Note: Fig. 910 swivel attachment and Fig. 1001, 2002, 3000 or 4L pipe clamps make up a sway brace system of UL Listed attachments and bracing materials which satisfies the requirements of Underwriters Laboratories and the National Fire Protection Association (NFPA).

Finish: Electro-Galvanized. Contact customer service for alternative finishes and materials.

Order By: Figure number, pipe size and finish.



Mounting Hardware Is Not Included

Part Number	Brace Pipe Size	A		B		C		Mounting Hole D	E	F	Max. Design Load	Approx. Wt./100			
		in.	(mm)	in.	(mm)	in.	(mm)						in.	(mm)	
910-1 X 1/2	1" (25)	1 7/10"	(43.2)	1 1/5"	(30.5)	2 15/16"	(74.7)	9/16"	(14.3)	1 11/16"	(42.9)	2 1/20"	(52)	1600 (8.96)	105 (47.6)

Eaton's B-Line series seismic bracing components are designed to be compatible only with other B-Line series bracing components, resulting in a listed seismic bracing assembly. Eaton B-Line Division warranty for seismic bracing components will be the warranty provided in Eaton B-Line Division standard terms and conditions of sale made available by Eaton, except that, in addition to the other exclusions from Eaton B-Line Division warranty, Eaton makes no warranty relating to B-Line series seismic bracing components that are combined with products not provided by Eaton.

All dimensions in charts and on drawings are in inches. Dimensions shown in parentheses are in millimeters unless otherwise specified.

Seismic Bracing

TOLCO Fig. 907 - multi-angle attachment

Size Range: 1" (25.4mm) x 1" (25.4mm), 1" (25.4mm) x 1¼" (31.7mm) and 1¼" (25.4mm) x 1¼" (25.4mm) bracing pipe.

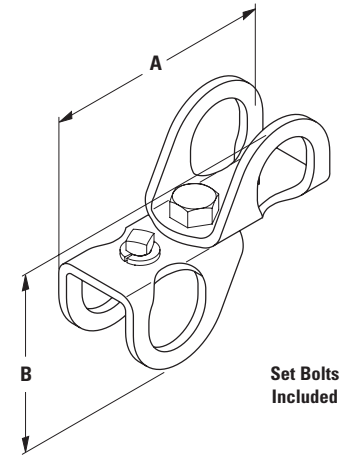
Material: Steel, hardened cone (or cup) point set bolt

Function: For attaching two pieces of pipe together at various angles.

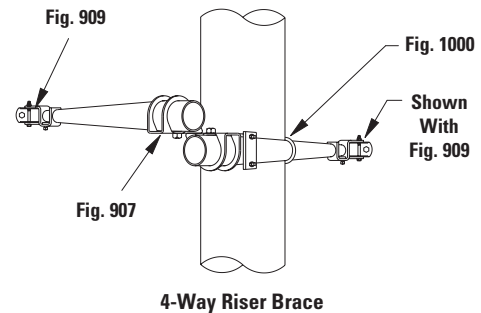
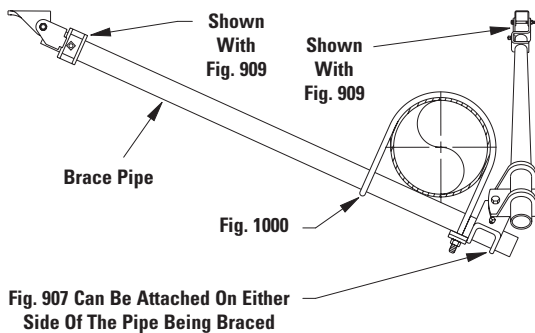
To Install: Attach the Fig. 907 over one piece of pipe and adjust to desired position. Tighten set bolt until head bottoms out on surface, then repeat the process for the second pipe.

Finish: Plain or Electro-Galvanized. Contact customer service for alternative finishes and materials.

Order By: Figure number, bracing pipe sizes and finish.



Part Number	Brace Pipe Size		A		B		Max. Design Load		Approx. Wt./100	
	in.	(mm)	in.	(mm)	in.	(mm)	lbs.	(kN)	lbs.	(kg)
907-1 X 1	1" x 1"	(25 x 25)	4 ³ / ₄ "	(120.6)	4 ³ / ₄ "	(120.6)	655	(2.91)	103	(46.7)
907-1 X 1¼	1" x 1¼"	(25 x 32)	5 ³ / ₁₆ "	(128.6)	4 ¹³ / ₁₆ "	(122.2)	655	(2.91)	107	(48.5)
907-1¼ X 1¼	1¼" x 1¼"	(32 x 32)	5 ³ / ₈ "	(136.5)	5¼"	(133.1)	655	(2.91)	109	(49.4)



Eaton's B-Line series seismic bracing components are designed to be compatible only with other B-Line series bracing components, resulting in a listed seismic bracing assembly. Eaton B-Line Division warranty for seismic bracing components will be the warranty provided in Eaton B-Line Division standard terms and conditions of sale made available by Eaton, except that, in addition to the other exclusions from Eaton B-Line Division warranty, Eaton makes no warranty relating to B-Line series seismic bracing components that are combined with products not provided by Eaton.

All dimensions in charts and on drawings are in inches. Dimensions shown in parentheses are in millimeters unless otherwise specified.

TOLCO Fig. 975 - straight sway brace fitting (UL listed)

Size Range: 1" (25mm) bracing pipe. For brace pipe sizes larger than 1" (25mm), use Fig. 980. Available with holes for 1/2", 5/8", or 3/4" fastener attachment.

Material: Steel

Function: The Fig. 975 is the structural or transitional attachment component of a longitudinal or lateral sway brace assembly. It is intended to be combined with a 1" "bracing pipe" and TOLCO™ "braced pipe" attachment to form a complete bracing assembly. Sway brace assemblies are intended to be installed in accordance with NFPA 13 and the manufacturer's installation instructions

Features: Open design allows for easy checking of thread engagement.

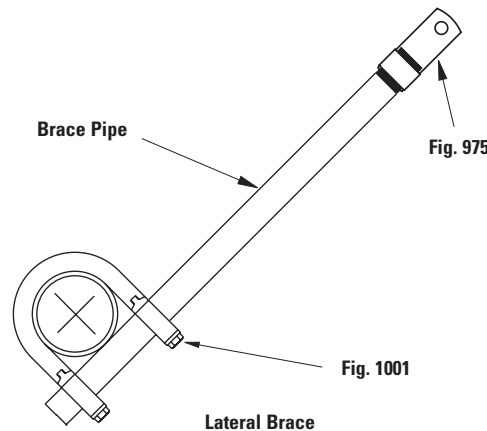
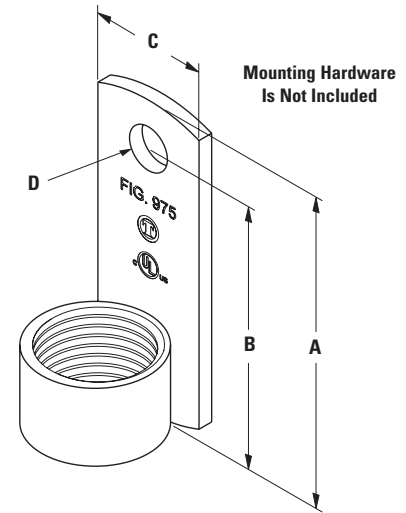
Approvals: Underwriters Laboratories Listed in the USA (UL) and Canada (cUL). UL Listed for the following brace member type pipes: Sch. 40.

Installation: Thread the Fig. 975 onto the 1" threaded bracing pipe. When using in combination with the Fig. 906, refer to that instruction sheet, otherwise select an anchor that is sized appropriately for the intended use and follow anchor manufacturer's instructions regarding structural thickness and embedment requirements. The required type, number and size of fasteners used for the structure attachment fitting shall be in accordance with NFPA 13. Once the anchor is installed per the manufacturer's direction, secure the Fig. 975 to the anchor. Attachment can pivot for adjustment to proper brace angle. (Bending of plate not permitted).

Finish: Plain or Electro-Galvanized. Contact customer service for alternative finishes and materials.

Order By: Figure number and finish.

Note: Bending of this fitting alters the material strength and voids the cULus Listing. Use Fig. 980, 910, 909, or any other TOLCO fitting when angled fitting is required.



Part Number	Brace Pipe Size in. (mm)	Dimensions			Mounting Hole D in. (mm)	Max. Design Load lbs. (kN)	Approx. Wt./100 lbs. (kg)
		A in. (mm)	B in. (mm)	C in. (mm)			
975-1/2 *	1" (25)	4" (101.6)	3 1/2" (88.9)	1 1/2" (38.1)	9/16" (14.3)	2100 (9.34)	88 (39.9)
975-5/8	1" (25)	4" (101.6)	3 1/2" (88.9)	1 1/2" (38.1)	1 1/16" (17.5)	2100 (9.34)	87 (39.4)
975-3/4	1" (25)	4" (101.6)	3 1/2" (88.9)	1 1/2" (38.1)	13/16" (20.6)	2100 (9.34)	86 (39.0)

* Standard size.

Eaton's B-Line series seismic bracing components are designed to be compatible only with other B-Line series bracing components, resulting in a listed seismic bracing assembly. Eaton B-Line Division warranty for seismic bracing components will be the warranty provided in Eaton B-Line Division standard terms and conditions of sale made available by Eaton, except that, in addition to the other exclusions from Eaton B-Line Division warranty, Eaton makes no warranty relating to B-Line series seismic bracing components that are combined with products not provided by Eaton.

All dimensions in charts and on drawings are in inches. Dimensions shown in parentheses are in millimeters unless otherwise specified.

Seismic Bracing

TOLCO Fig. 1001 - sway brace attachment (UL listed)

Size Range: Pipe size to be braced: 1" (25mm) thru 8" (200mm) IPS.
 Pipe size used for bracing: 1" (25mm) and 1 1/4" (32mm) Schedule 40 IPS.

Material: Steel

Function: For bracing pipe against sway and seismic disturbance. The pipe attachment component of a sway brace system: Fig. 1001 is used in conjunction with a Fig. 900 Series fitting and joined together with bracing pipe per NFPA 13, forming a complete sway brace assembly.

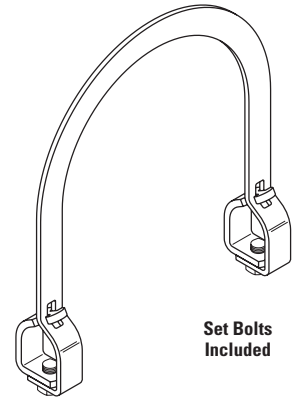
Features: Can be used to brace schedule 7 through schedule 40 IPS. Field adjustable, making critical pre-engineering of bracing pipe length unnecessary. Unique design requires no threading of bracing pipe. Comes assembled and ready for installation. Fig. 1001 has built-in visual verification of correct installation. See installation note below.

Installation Note: Position Fig. 1001 over the pipe to be braced and tighten two hex head cone point set bolts until heads bottom out. A minimum of 1" (25mm) pipe extension is recommended. Brace pipe can be installed on top or bottom of pipe to be braced.

Approvals: Underwriters Laboratories Listed in the USA (UL) and Canada (cUL). UL Listed for the following sprinkler type pipes: Sch. 40 (and as brace member), Sch. 10, Bull Moose Eddy Flow, Wheatland Mega Flow, DIN 2448, KSD 3562 (and as brace member), KSD 3507. Ask the factory for additional information as it may vary by product size. Included in our Seismic Engineering Guidelines approved by the State of California Office of Statewide Health Planning and Development (OSHPD). For additional load, spacing and placement information relating to OSHPD projects, please refer to our Seismic Engineering Guidelines, OPM-0052-13. For FM Approval information refer to FM Approved page 67.

Finish: Plain, Electro-Galvanized or Hot Dip Galvanized. Contact customer service for alternative finishes and materials.

Order By: Order by figure number, pipe size to be braced, followed by pipe size used for bracing (1" (25mm) or 1 1/4" (32mm)), and finish.

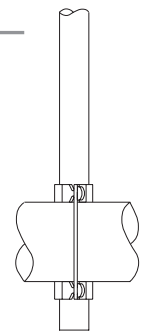
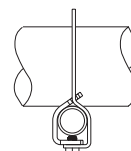
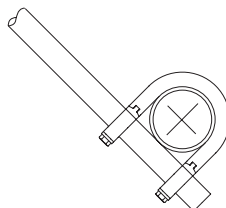
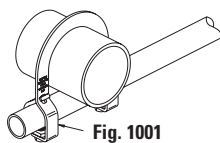


Set Bolts Included



Pipe Size in. (mm)	Part Number & Approx. Wt./100				Design Load - Lbs. For Brace Pipe Size 1" / 1 1/4"		
	1" (25mm) Brace Pipe		1 1/4" (32mm) Brace Pipe		Sch. 7 1" / 1 1/4"	Sch. 10 1" / 1 1/4"	Sch. 40 1" / 1 1/4"
	Part Number	Lbs. (kg)	Part Number	Lbs. (kg)			
1" (25)	1001-1 X 1	104.6 (47.4)	1001-1 X 1 1/4	122.2 (55.4)	— / —	— / —	1000 / 1000
1 1/4" (32)	1001-1 1/4 X 1	105.2 (47.7)	1001-1 1/4 X 1 1/4	122.6 (55.6)	1000 / 1000	1000 / 1000	1000 / 1000
1 1/2" (40)	1001-1 1/2 X 1	107.0 (48.5)	1001-1 1/2 X 1 1/4	124.7 (56.6)	1500 / 1500	1500 / 1500	1500 / 1500
2" (50)	1001-2 X 1	112.6 (51.1)	1001-2 X 1 1/4	129.2 (58.6)	1500 / 1500	1500 / 1500	1500 / 1500
2 1/2" (65)	1001-2 1/2 X 1	136.3 (61.8)	1001-2 1/2 X 1 1/4*	154.4 (70.0)	2000 / 2000	2000 / 2000	2000 / 2000
3" (80)	1001-3 X 1	145.0 (65.8)	1001-3 X 1 1/4	163.1 (74.0)	2000 / 2000	2000 / 2000	2000 / 2000
4" (100)	1001-4 X 1	158.6 (71.9)	1001-4 X 1 1/4	176.7 (80.1)	2000 / 2000	2000 / 2000	2000 / 2000
5" (100)	1001-5 X 1	173.2 (78.6)	1001-5 X 1 1/4	191.4 (86.8)	— / —	2000 / 2000	2000 / 2000
6" (150)	1001-6 X 1	190.0 (85.2)	1001-6 X 1 1/4*	206.0 (93.4)	2000 / 2000	2000 / 2000	2000 / 2000
8" (200)	1001-8 X 1	217.4 (111.5)	1001-8 X 1 1/4*	265.3 (120.3)	— / —	2000 / 2000	2000 / 2000

*Note: Metric sizes available for 65mm, 150mm, 200mm pipe size with 25mm and 32mm brace pipe size. Contact the factory.



All dimensions in charts and on drawings are in inches. Dimensions shown in parentheses are in millimeters unless otherwise specified.

TOLCO Fig. 1001 - sway brace attachment (FM approved)

Size Range: Pipe size to be braced: 1" (25mm) thru 8" (200mm) IPS. Pipe size used for bracing: 1" (25mm) and 1 1/4" (32mm) Schedule 40 IPS.

Material: Steel

Function: For bracing pipe against sway and seismic disturbance. The pipe attachment component of a sway brace system: Fig. 1001 is used in conjunction with a Fig. 900 Series fitting and joined together with bracing pipe per NFPA 13, forming a complete sway brace assembly.

Features: Can be used to brace schedule 7 through schedule 40 IPS. Field adjustable, making critical pre-engineering of bracing pipe length unnecessary. Unique design requires no threading of bracing pipe. Can be used as a component of a four-way riser brace. Comes assembled and ready for installation. Fig. 1001 has built-in visual verification of correct installation. See installation note below.

Installation Note: Position Fig. 1001 over the pipe to be braced and tighten two hex head cone point set bolts until heads bottom out. A minimum of 1" (25mm) pipe extension is recommended. Brace pipe can be installed on top or bottom of pipe to be braced.

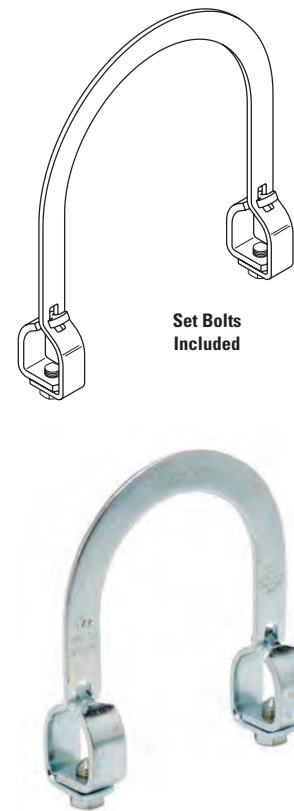
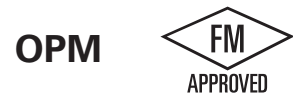
Approvals: Approved by Factory Mutual Engineering (FM). Included in our Seismic Engineering Guidelines approved by the State of California Office of Statewide Health Planning and Development (OSHPD). For additional load, spacing and placement information relating to OSHPD projects, please refer to our Seismic Engineering Guidelines, OPM-0052-13. For UL Listed information refer to UL Listed page 66.

Finish: Plain, Electro-Galvanized or Hot Dip Galvanized. Contact customer service for alternative finishes and materials.

Order By: Order by figure number, pipe size to be braced, followed by pipe size used for bracing (1" (25mm) or 1 1/4" (32mm)), and finish.

Important Note: Fig. 1001 is precision manufactured to perform its function as a critical component of a complete bracing assembly. To ensure performance, the FM Approval requires that Fig. 1001 must be used only with other TOLCO™ bracing products. **The Fig. 1001 is not intended for use with the Fig. 907 4-way Longitudinal Brace Attachment.**

Designed to meet or exceed requirements of FM DS 2-8.



Pipe Size in. (mm)	Part Number & Approx. Wt./100				Design Load - For Sch. 7, Sch. 10, & Sch. 40 Pipe Allowable Horizontal Capacity (lbf) Per Installation ^{1,2,3}			
	1" (25mm) Brace Pipe		1 1/4" (32mm) Brace Pipe		30°-44°	45°-59°	60°-74°	75°-90°
	Part No.	Lbs. (kg)	Part No.	Lbs. (kg)	Lbs. (kN)	Lbs. (kN)	Lbs. (kN)	Lbs. (kN)
1" (25)	1001-1 X 1	104.6 (47.4)	1001-1 X 1 1/4	122.2 (55.4)	1800 (8.01)	2550 (11.34)	3120 (13.88)	3490 (15.52)
1 1/4" (32)	1001-1 1/4 X 1	105.2 (47.7)	1001-1 1/4 X 1 1/4	122.6 (55.6)	1230 (5.47)	1740 (7.74)	2140 (9.52)	2380 (10.59)
1 1/2" (40)	1001-1 1/2 X 1	107.0 (48.5)	1001-1 1/2 X 1 1/4	124.7 (56.6)	1230 (5.47)	1740 (7.74)	2140 (9.52)	2380 (10.59)
2" (50)	1001-2 X 1	112.6 (51.1)	1001-2 X 1 1/4	129.2 (58.6)	1230 (5.47)	1740 (7.74)	2140 (9.52)	2380 (10.59)
2 1/2" (65)	1001-2 1/2 X 1	136.3 (61.8)	1001-2 1/2 X 1 1/4*	154.4 (70.0)	800 (3.56)	1130 (5.03)	1380 (6.14)	1540 (6.85)
3" (80)	1001-3 X 1	145.0 (65.8)	1001-3 X 1 1/4	163.1 (74.0)	850 (3.78)	1200 (5.34)	1470 (6.54)	1640 (7.30)
4" (100)	1001-4 X 1	158.6 (71.9)	1001-4 X 1 1/4	176.7 (80.1)	850 (3.78)	1200 (5.34)	1470 (6.54)	1640 (7.30)
5" (100)	1001-5 X 1	173.2 (78.6)	1001-5 X 1 1/4	191.4 (86.8)	510 (2.27)	730 (3.25)	890 (3.96)	990 (4.40)
6" (150)	1001-6 X 1	190.0 (85.2)	1001-6 X 1 1/4*	206.0 (93.4)	510 (2.27)	730 (3.25)	890 (3.96)	990 (4.40)
8" (200)	1001-8 X 1	217.4 (111.5)	1001-8 X 1 1/4*	265.3 (120.3)	510 (2.27)	730 (3.25)	890 (3.96)	990 (4.40)

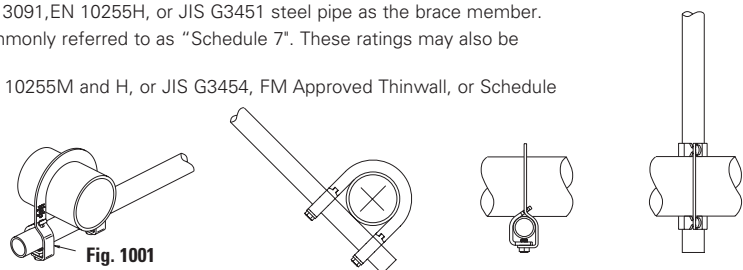
¹ FM Approved when used with 1 or 1 1/4 inch NPS Schedule 40 GB/T 3091, EN 10255H, or JIS G3451 steel pipe as the brace member.

² Load rating for LW above refers to FM Approved Lightwall Pipe commonly referred to as "Schedule 7". These ratings may also be applied when EN 10220 and GB/T 8163 steel pipe.

³ Load rating for Schedule 10 above may be applied to GB/T 3092, EN 10255M and H, or JIS G3454, FM Approved Thinwall, or Schedule 40 steel pipes.

Note: See UL load ratings in UL Listed Design Load chart shown under drawing.

*Note: Metric sizes available for 65mm, 150mm, 200mm pipe size with 25mm and 32mm brace pipe size. Contact the factory.



All dimensions in charts and on drawings are in inches. Dimensions shown in parentheses are in millimeters unless otherwise specified.

Seismic Bracing

TOLCO Fig. 1000 - "Fast Clamp" branch line restraint attachment (UL listed)

Size Range: Pipe size to be braced: 1" (25mm) thru 4" (100mm) 40 IPS.
 Pipe size used for bracing: 1" (25mm) and 1 1/4" (32mm) Schedule 40 IPS.
 For pipe sizes larger than 2" (50mm) please refer to TOLCO™ Fig. 1001.



Material: Steel

Function: A restraint device intended for lateral bracing.

Features: Field adjustable, making critical pre-engineering of bracing pipe unnecessary. Unique design requires no threading of bracing pipe. Steel leaf spring insert provided to assure installer and inspector necessary minimum torque has been achieved.

Installation: Fig. 1000 is the "braced pipe" attachment component of a lateral sway brace assembly. It is intended to be combined with the "bracing pipe" and TOLCO structural attachment component, Fig. 980, 910, 909 or other approved TOLCO component to form a complete bracing assembly. Follow NFPA 13 guidelines.

To Install: Place the Fig. 1000 over the pipe to be braced, insert bracing pipe through opening leaving a minimum of 1" extension. Brace pipe can be installed on top or bottom of pipe to be braced. Tighten hex nuts until leaf spring is flat. It is recommended that the brace angle be adjusted before hex nuts are fully tightened.

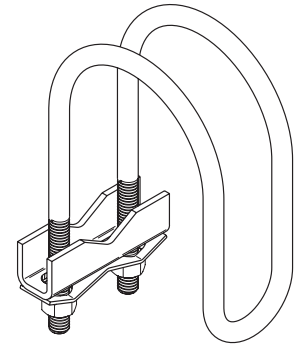
Approvals: Underwriters Laboratories Listed in the USA (UL) and Canada (cUL). Approved for use with engineered light wall sprinkler pipe up to 2" as a restraint device. Torque requirement is 6-8 ft./lbs. (8-10Nm). Included in our Seismic Engineering Guidelines approved by the State of California Office of Statewide Health Planning and Development (OSHPD). For additional load, spacing and placement information relating to OSHPD projects, please refer to our Seismic Engineering Guidelines, OPM-0052-13.

For FM Approval information refer to FM Approved page 69.

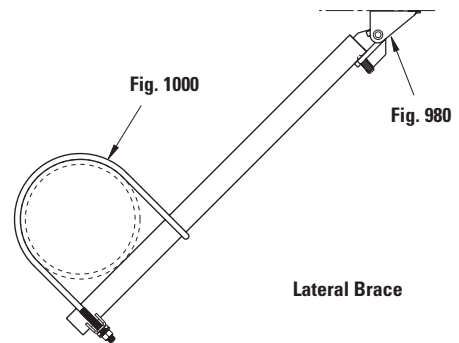
Application Note: Position Fast Clamp and tighten two hex nuts until leaf spring flattens. A minimum of 1" pipe extension beyond the Fig. 1000 is recommended.

Finish: Plain or Electro-Galvanized. Contact customer service for alternative finishes and materials.

Order By: Order by figure number, pipe size to be braced, followed by pipe size used for bracing (1" (25mm) or 1 1/4" (32mm)) , and finish.



Hardware Included



Pipe Size in. (mm)	Part Number & Approx. Wt./100					
	1" (24mm) Brace Pipe		1 1/4" (32mm) Brace Pipe			
	Part No.	Lbs.	(kg)	Part No.	Lbs.	(kg)
1" (25)	1000-1 X 1	71.6	(32.5)	1000-1 X 1 1/4	75.8	(34.4)
1 1/4" (32)	1000-1 1/4 X 1	74.8	(33.9)	1000-1 1/4 X 1 1/4	79.1	(35.9)
1 1/2" (40)	1000-1 1/2 X 1	77.8	(35.3)	1000-1 1/2 X 1 1/4	82.1	(37.2)
2" (50)	1000-2 X 1	84.1	(38.1)	1000-2 X 1 1/4	88.4	(40.1)

UL Listed Design Load
 1" (25mm) thru 2" (50mm) pipe size 650 Lbs. (2.89kN)

Eaton's B-Line series seismic bracing components are designed to be compatible only with other B-Line series bracing components, resulting in a listed seismic bracing assembly. Eaton B-Line Division warranty for seismic bracing components will be the warranty provided in Eaton B-Line Division standard terms and conditions of sale made available by Eaton, except that, in addition to the other exclusions from Eaton B-Line Division warranty, Eaton makes no warranty relating to B-Line series seismic bracing components that are combined with products not provided by Eaton.

All dimensions in charts and on drawings are in inches. Dimensions shown in parentheses are in millimeters unless otherwise specified.

TOLCO Fig. 1000 - "Fast Clamp" sway brace attachment (FM approved)

Size Range: Pipe size to be braced: 1" (25mm) thru 4" (100mm) 40 IPS.
 Pipe size used for bracing: 1" (25mm) and 1¼" (32mm) Schedule 40 IPS.
 For pipe sizes larger than 4" (100mm) please refer to TOLCO™ Fig. 1001.

Material: Steel

Function: For bracing pipe against sway and seismic disturbance.

Features: Field adjustable, making critical pre-engineering of bracing pipe unnecessary. Unique design requires no threading of bracing pipe. Steel leaf spring insert provided to assure installer and inspector necessary minimum torque has been achieved.

Installation: Fig. 1000 is the "braced pipe" attachment component of a lateral sway brace assembly. It is intended to be combined with the "bracing pipe" and TOLCO structural attachment component, Fig. 980 or other approved TOLCO seismic brace to form a complete bracing assembly. Follow NFPA 13 guidelines.

To Install: Place the Fig. 1000 over the pipe to be braced, insert bracing pipe through opening leaving a minimum of 1" extension. Brace pipe can be installed on top or bottom of pipe to be braced. Tighten hex nuts until leaf spring is flat. It is recommended that the brace angle be adjusted before hex nuts are fully tightened.

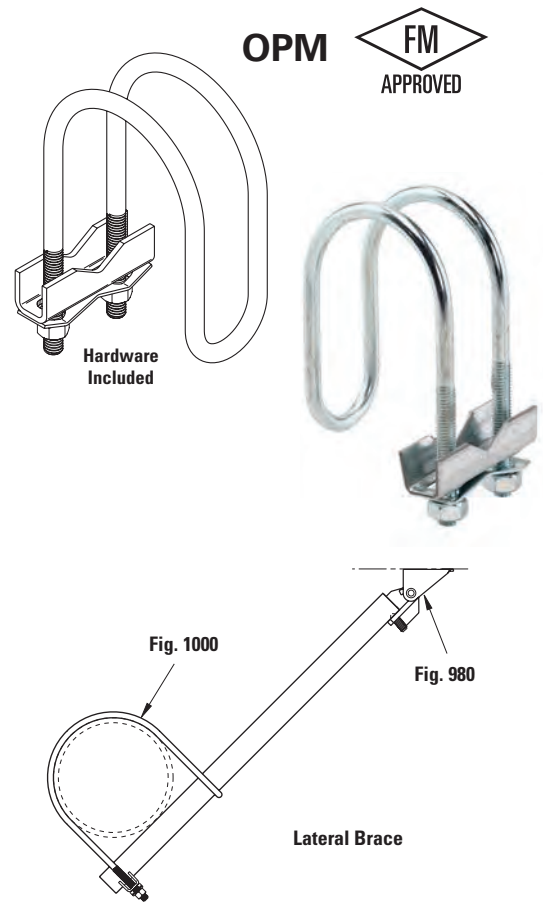
Approvals: Approved by Factory Mutual Engineering (FM). Included in our Seismic Engineering Guidelines approved by the State of California Office of Statewide Health Planning and Development (OSHPD). For additional load, spacing and placement information relating to OSHPD projects, please refer to our Seismic Engineering Guidelines, OPM-0052-13. For UL Listed information refer to UL Listed page 68.

Application Note: Position Fast Clamp and tighten two hex nuts until leaf spring flattens. A minimum of 1" pipe extension beyond the Fig. 1000 is recommended.

Finish: Plain or Electro-Galvanized. Contact customer service for alternative finishes and materials.

Order By: Order by figure number, pipe size to be braced, followed by pipe size used for bracing (1" (25mm) or 1¼" (32mm)), and finish.

Designed to meet or exceed requirements of FM DS 2-8.



Seismic Bracing

Pipe Size in. (mm)	Part Number & Approx. Wt./100				Design Load - Allowable Horizontal Capacity (lbf) Per Installation ^{1,2,3}			
	1" (24mm) Brace Pipe		1¼" (32mm) Brace Pipe		30°-44°	45°-59°	60°-74°	75°-90°
	Part No.	Lbs. (kg)	Part No.	Lbs. (kg)	Lbs. (kN)	Lbs. (kN)	Lbs. (kN)	Lbs. (kN)
1" (25)	1000-1 X 1	71.6 (32.5)	1000-1 X 1¼	75.8 (34.4)	200 (0.89)	280 (1.24)	340 (1.51)	380 (1.69)
1¼" (32)	1000-1¼ X 1	74.8 (33.9)	1000-1¼ X 1¼	79.1 (35.9)	200 (0.89)	280 (1.24)	340 (1.51)	380 (1.69)
1½" (40)	1000-1½ X 1	77.8 (35.3)	1000-1½ X 1¼	82.1 (37.2)	200 (0.89)	280 (1.24)	340 (1.51)	380 (1.69)
2" (50)	1000-2 X 1	84.1 (38.1)	1000-2 X 1¼	88.4 (40.1)	200 (0.89)	280 (1.24)	340 (1.51)	380 (1.69)
2½" (65)	1000-2½ X 1	90.2 (40.9)	1000-2½ X 1¼	94.6 (42.9)	200 (0.89)	280 (1.24)	340 (1.51)	380 (1.69)
3" (80)	1000-3 X 1	97.3 (44.1)	1000-3 X 1¼	101.7 (46.1)	230 (1.02)	320 (1.42)	400 (1.78)	450 (2.00)
3½" (90)	1000-3½ X 1	104.0 (47.2)	1000-3½ X 1¼	108.4 (49.2)	230 (1.02)	320 (1.42)	400 (1.78)	450 (2.00)
4" (100)	1000-4 X 1	110.3 (50.0)	1000-4 X 1¼	114.6 (52.0)	230 (1.02)	320 (1.42)	400 (1.78)	450 (2.00)

¹ FM Approved when used with 1, 1¼, 1½, or 2 inch NPS Schedule 40 GB/T 3091, EN 10255H, or JIS G3451 steel pipe as the brace member.

² Load rating for LW above refers to FM Approved Lightwall Pipe commonly referred to as "Schedule 7". These ratings may also be applied when EN 10220 and GB/T 8163 steel pipe.

³ Load rating for Schedule 10 above may be applied to GB/T 3092, EN 10255M and H, or JIS G3454, FM Approved Thinwall, or Schedule 40 steel pipes.

Eaton's B-Line series seismic bracing components are designed to be compatible only with other B-Line series bracing components, resulting in a listed seismic bracing assembly. Eaton B-Line Division warranty for seismic bracing components will be the warranty provided in Eaton B-Line Division standard terms and conditions of sale made available by Eaton, except that, in addition to the other exclusions from Eaton B-Line Division warranty, Eaton makes no warranty relating to B-Line series seismic bracing components that are combined with products not provided by Eaton.

All dimensions in charts and on drawings are in inches. Dimensions shown in parentheses are in millimeters unless otherwise specified.

Seismic Bracing

TOLCO Fig. 2002 - sway brace attachment (UL listed)

Size Range: Pipe size to be braced: 2½" (65mm) thru 8" (200mm) all steel schedules. Consult factory when bracing other than steel. The Fig. 2002 accepts brace pipes sizes 1½" (40mm) and 2" (50mm) steel schedule 40.



Material: Steel

Function: For bracing pipe against sway and seismic disturbance. The pipe attachment component of a sway brace system: Fig. 2002 is used in conjunction with a TOLCO™ Fig. 980 sway brace attachment and joined together with bracing pipe. Install per NFPA 13.

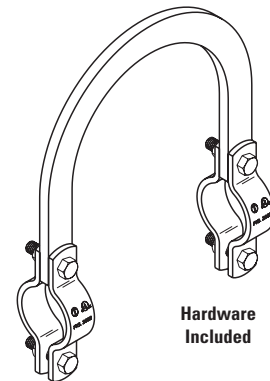
Features: Easy verification of proper installation by tightening bolts until ears touch.

Installation: Place Fig. 2002 over pipe to be braced. Slide bracing pipe through attachment and tighten hex nuts until ears touch.

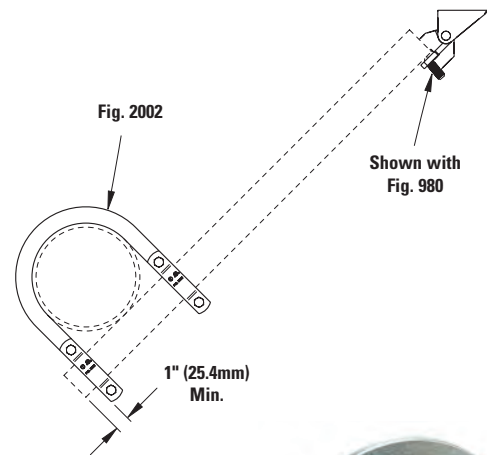
Approvals: Underwriters Laboratories Listed in the USA (UL) and Canada (cUL). UL Listed for the following sprinkler type pipes: Sch. 40 (and as brace member), Sch. 10, Bull Moose Eddy Flow, Wheatland Mega Flow, DIN 2448, KSD 3562 (and as brace member), KSD 3507. Ask the factory for additional information as it may vary by product size.

Finish: Plain or Electro-Galvanized. Contact customer service for alternative finishes and materials.

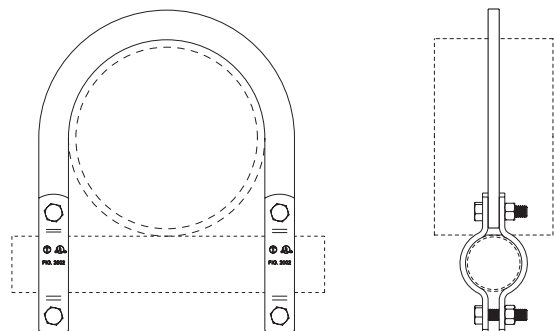
Order By: Figure number, pipe size to be braced, pipe size used for bracing (1½" (40mm) or 2" (50mm)) and finish.



Hardware Included



Pipe Size in. (mm)	Part Number & Approx. Wt./100				Design Load Lbs. (kN)	
	1½" (32mm) Brace Pipe		2" (50mm) Brace Pipe			
	Part Number	Lbs.	(kg)	Part Number	Lbs.	(kg)
2½" (65)	2002-2½ X 1½	260	(117.9)	2002-2½ X 2	283.3	(128.6)
3" (80)	2002-3 X 1½	276	(125.2)	2002-3 X 2	299.4	(135.8)
4" (100)	2002-4 X 1½	303	(137.4)	2002-4 X 2	326.8	(148.2)
6" (150)	2002-6 X 1½	361	(163.7)	2002-6 X 2	385.0	(174.6)
8" (200)	2002-8 X 1½	416	(188.7)	2002-8 X 2	439.7	(199.4)



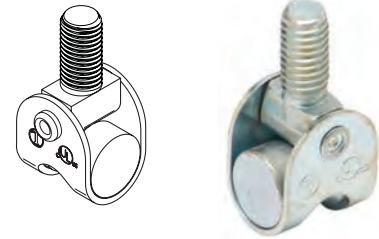
All dimensions in charts and on drawings are in inches. Dimensions shown in parentheses are in millimeters unless otherwise specified.

TOLCO Fig. 75 - swivel attachment

Function: Three recommended applications for this product:

- May be used as a branch line restraint for structural attachment to anchor bolt, beam clamp, etc.
- May be used as an upper attachment with short hanger rod to omit seismic bracing.
- May be used in a pitched or sloped roof application, to meet requirements of NFPA 13 (2010) 9.1.2.6.

Refer to page 40 for more information and sizing.



Seismic Bracing

TOLCO Fig. 3000 - CPVC sway brace attachment

Function: For bracing CPVC and steel pipe against sway and seismic disturbance. The pipe attachment component of a sway brace system: Fig. 3000 is used in conjunction with a Fig. 900 Series fitting and joined together with bracing pipe per NFPA 13, forming a complete sway brace assembly.

Refer to page 41 for more information and sizing.

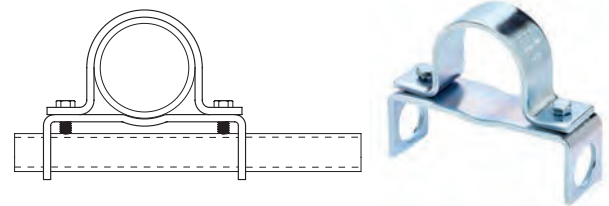


Fig. 76 - TOLCO structural attachment for branch line restraint assembly (UL listed) structural attachment for sway brace assembly (FM)

Function: Structural attachment for branch line restraint or sway brace assembly

Refer to pages 42 for UL Listed information and sizing.
Refer to pages 43 for FM information and sizing.

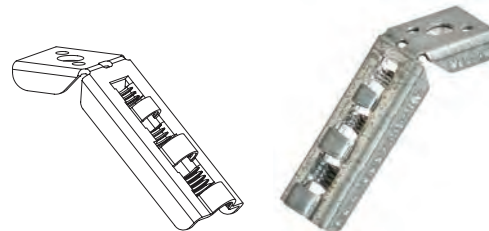
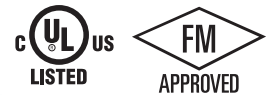
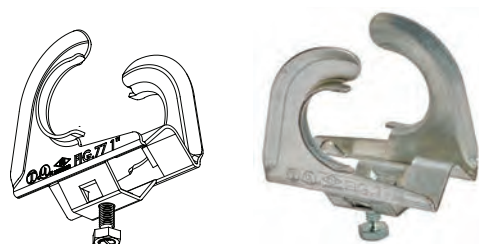


Fig. 77 - TOLCO structural attachment for branch line restraint assembly (UL listed) structural attachment for sway brace assembly (FM)

Function: System attachment for branch line restraint or sway brace assembly

Refer to pages 44 for UL Listed information and sizing.
Refer to pages 45 for FM information and sizing.



All dimensions in charts and on drawings are in inches. Dimensions shown in parentheses are in millimeters unless otherwise specified.

Seismic Bracing

TOLCO Fig. 98 - Rod Stiffener

TOLCO Fig. 98B - Rod Stiffener with Break-Off Bolt Head

Size Range: Secures 3/8"-16 thru 7/8"-9 hanger rod

Material: Steel

Function: Secures channel to hanger rod for vertical seismic bracing.

Approvals: Included in our Seismic Engineering Guidelines approved by the State of California Office of Statewide Health Planning and Development (**OSHPD**). For additional load, spacing and placement information relating to OSHPD projects, please refer to our Seismic Engineering Guidelines OPM-0052-13.

Finish: Electro Galvanized. Contact customer service for alternative finishes and materials.

Weight: Approx. Wt./100: Fig. 98 - 11.8 Lbs. (5.3kg)
Fig. 98B - 12.7 Lbs. (5.7kg)

Order By: Figure number

OPM



Fig. 98

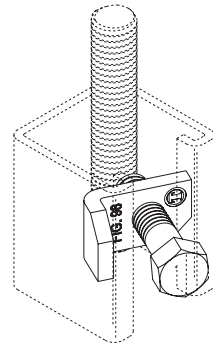


Fig. 98B

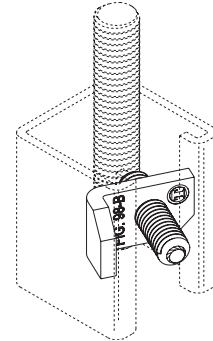


Fig. SC228 - Hanger Rod Stiffener

Size Range: Secures 3/8"-16 thru 5/8"-11 hanger rod

Material: Steel

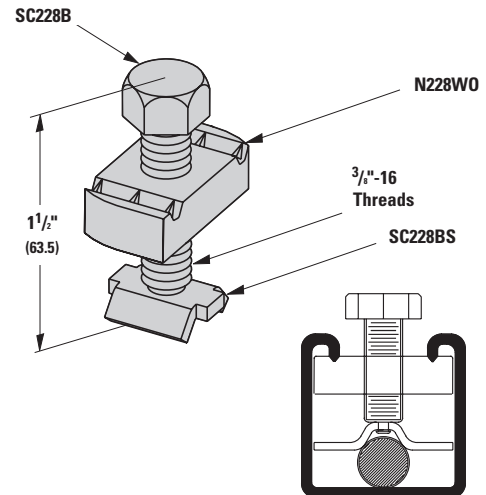
Function: Secures channel to hanger rod for vertical seismic bracing. Slight distortion of the channel (strut) may occur upon installation of rod stiffeners.

Finish: Electro Galvanized. Contact customer service for alternative finishes and materials.

Weight: Approx. Wt./100: 21.0 Lbs. (9.5kg)

Order By: Figure part number

Note: Order channel separately



Rod Stiffener Requirements

Rod Size	Maximum Rod Length Without Rod Stiffener	Maximum Spacing Between Rod Stiffeners
3/8"	19" (482mm)	13" (330mm)
1/2"	25" (635mm)	18" (457mm)
5/8"	31" (787mm)	23" (584mm)
3/4"	37" (940mm)	28" (711mm)
7/8"	43" (1092mm)	33" (838mm)
1"*	50" (1270mm)	38" (965mm)
1 1/4"*	60" (1524mm)	43" (1092mm)

* Use with SC228 only.

Notes:

- 1.) Rod stiffeners are required only on hanger and trapeze assemblies that have seismic bracing attached at or within 6" (152.4mm) of the rod. A minimum of two rod stiffeners (Figure 98, 98B, or SC228) must be installed.
- 2.) Recommended torque on Figure 98 and SC228 is 8 ft-lbs. (10.8Nm) or finger tight and one full turn with a wrench. Figure 98B has the break off bolt head.

All dimensions in charts and on drawings are in inches. Dimensions shown in parentheses are in millimeters unless otherwise specified.



TOLCO Fig. 4A - Pipe Clamp for Sway Bracing

Size Range: 2½" (65mm) thru 8" (200mm) pipe. For sizes smaller than 2½" (65mm) use Fig. 4LA.

Material: Steel

Function: For bracing pipe against sway and seismic disturbance.

Approvals: Underwriters Laboratories Listed in the USA (UL) and Canada (cUL) 2½" (65mm) thru 8" (200mm).

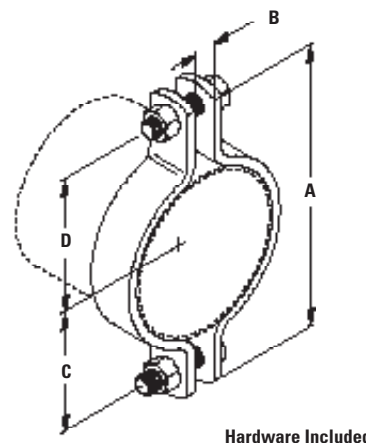
Installation Instructions: Fig. 4A is the "braced pipe" attachment component of a longitudinal, lateral or riser brace assembly. It is intended to be combine with the "bracing pipe" and TOLCO transitional and structural attachment component(s) to form a complete bracing assembly. NFPA 13 guidelines should be followed.

To Install: Place the Fig. 4A over the pipe to be braced. Attach TOLCO transitional fitting, either Fig. 980, 910 or 909, to the clamp ears. Tighten bolts and nuts; torque requirement is a minimum of 50 ft./lbs. (68Nm). Transitional fitting attachment can pivot for adjustment to proper brace angle.

Finish: Plain or Electro-Galvanized. Contact customer service for alternative finishes and materials.

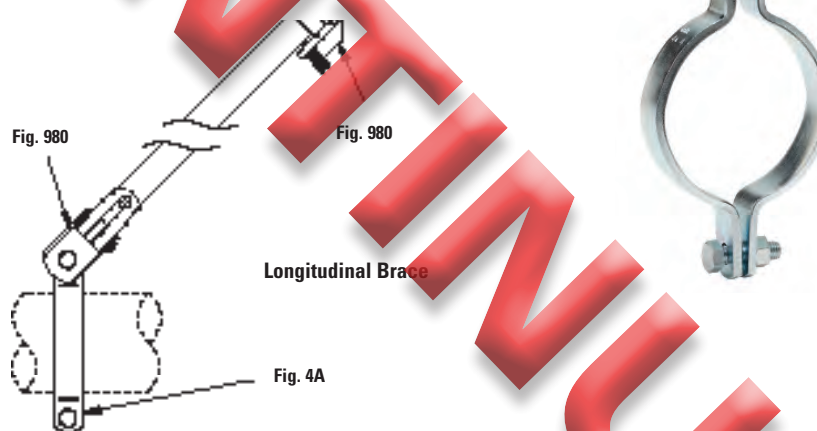
Order By: Figure number, pipe size and finish

Note: Please refer to Fig. 4LA for longitudinal brace applications for 1" (25mm) - 12" (300mm) pipe sizes.



Hardware Included

For
Lateral Brace
Refer to 4LA



Part No.	Pipe Size in. (mm)	A in. (mm)	C in. (mm)	D in. (mm)	Bolt Size	Max. Horizontal Design Load (UL) lbs. (kN)	Approx. Wt./100 lbs. (kg)
4A-2½	2½" (100)	7" (177.8)	2 ¹¹ / ₁₆ " (68.3)	3" (76.2)	½"-13	1000 (4.45)	134 (60.8)
4A-3	3" (80)	7½" (190.5)	3" (76.2)	3 ⁵ / ₁₆ " (84.1)	½"-13	1000 (4.45)	150 (69.0)
4A-4	4" (100)	8½" (215.9)	3 ³ / ₈ " (85.7)	3 ¹¹ / ₁₆ " (93.7)	½"-13	1600 (7.11)	221 (100.2)
4A-5	5" (125)	9¾" (247.6)	3 ⁷ / ₈ " (98.4)	4 ³ / ₈ " (111.1)	½"-13	1600 (7.11)	253 (114.7)
4A-6	6" (150)	11½" (292.1)	5" (127.0)	5 ¹ / ₈ " (130.2)	½"-13	2015 (8.96)	513 (232.7)
4A-8	8" (200)	13¼" (336.5)	6 ¹¹ / ₁₆ " (169.9)	6 ¹ / ₈ " (155.6)	½"-13	2015 (8.96)	601 (272.6)

Eaton's B-Line series seismic bracing components are designed to be compatible only with other B-Line series bracing components, resulting in a listed seismic bracing assembly. Eaton B-Line Division warranty for seismic bracing components will be the warranty provided in Eaton B-Line Division standard terms and conditions of sale made available by Eaton, except that, in addition to the other exclusions from Eaton B-Line Division warranty, Eaton makes no warranty relating to B-Line series seismic bracing components that are combined with products not provided by Eaton.

All dimensions in charts and on drawings are in inches. Dimensions shown in parentheses are in millimeters unless otherwise specified.

Seismic Bracing

TOLCO Fig. 4L - sway brace attachment (UL listed)

Size Range: 1" (25mm) through 8" (200mm) IPS. 10" (250mm) and 12" (300mm) not UL listed

Material: Steel and stainless steel.

Function: For bracing pipe against sway and seismic disturbance.

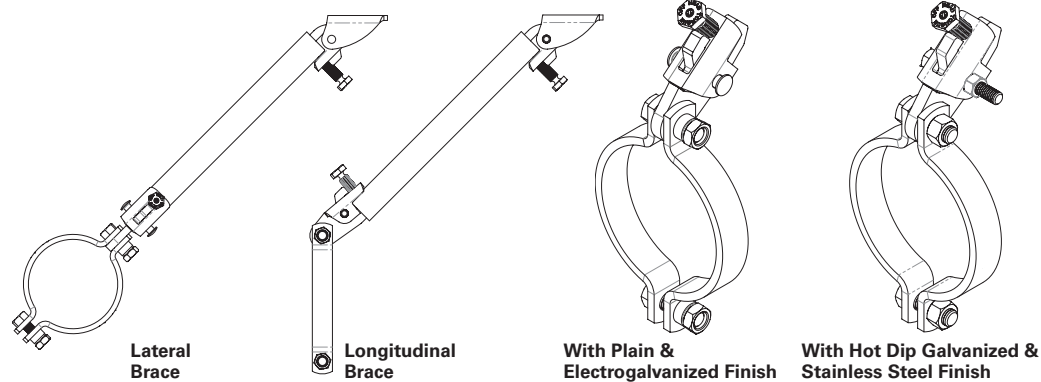
Approvals: Underwriters Laboratories Listed in the USA (UL) and Canada (cUL) 1" (25mm) through 8" (200mm) pipe. UL Listed for the following sprinkler type pipes: Sch. 40, Sch. 10, Bull Moose Eddy Flow, Wheatland Mega Flow, DIN 2448, KSD 3562, KSD 3507. Ask the factory for additional information as it may vary by product size. For FM Approval information refer to FM Approved page 75. Included in our Seismic Engineering Guidelines approved by the State of California Office of Statewide Health Planning and Development (OSHPD). For additional load, spacing and placement information relating to OSHPD projects, please refer to our Seismic Engineering Guidelines, OPM-0052-13.

Installation Instructions: Fig. 4L is the "braced pipe" attachment component of a longitudinal and lateral sway brace assembly. It is intended to be combined with the "bracing pipe" and TOLCO structural attachment component to form a complete bracing assembly. NFPA 13 guidelines should be followed. (For complete detailed instructions see instruction sheet [IL309015EN](#)).

To Install: Place the Fig. 4L over the pipe to be braced and tighten bolts. Then engage "bracing pipe" into jaw opening and tighten set bolt until head snaps off. Jaw attachment can pivot for adjustment to proper brace angle.

Finish: Plain, Electrogalvanized, Hot Dip Galvanized or Stainless Steel (only for 4" & 6" sizes).

Order By: Figure number, pipe size and finish.



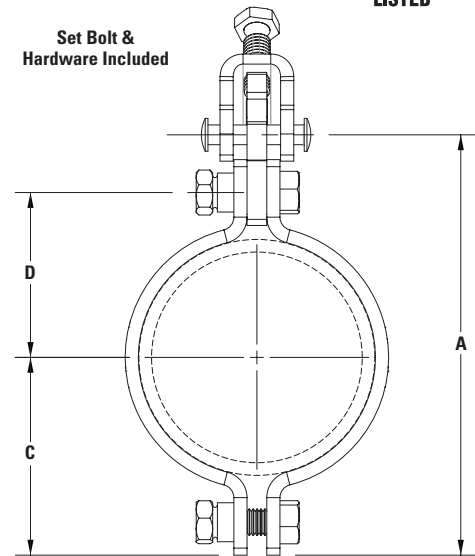
Part No.	Nom Pipe Size		A (Max) in.	C in.	D in.	Bolt Size in.	UL Max. Rec. Load		PLN & EG. Approx. Wt./100 lbs.
	in.	(mm)					Logitudinal lbs.	Lateral lbs.	
4L-1	1	(25)	5	2	1 ³ / ₈	1/2-13	1000	1000	176
4L-1 ¹ / ₄	1 ¹ / ₄	(32)	5 ² / ₇	2 ¹ / ₁₆	1 ⁵ / ₉	1/2-13	1000	1000	182
4L-1 ¹ / ₂	1 ¹ / ₂	(40)	5 ¹ / ₂	2 ¹ / ₃	1 ² / ₃	1/2-13	1000	1000	187
4L-2	2	(50)	6 ² / ₇	2 ² / ₃	2	1/2-13	1600	1000	204
4L-2 ¹ / ₂	2 ¹ / ₂	—	6 ⁷ / ₉	3	2 ¹ / ₃	1/2-13	2000	1000	217
4L-65mm	—	(65)	6 ⁷ / ₉	3	2 ¹ / ₃	1/2-13	700	1000	214
4L-3	3	(80)	7 ³ / ₇	3 ¹ / ₄	2 ⁵ / ₈	1/2-13	2000	1000	323
4L-3 ¹ / ₂	3 ¹ / ₂	(90)	8	3 ¹ / ₂	2 ⁷ / ₈	1/2-13	2000	1000	343
4L-4***	4	(100)	8 ³ / ₇	3 ³ / ₄	3 ¹ / ₈	1/2-13	2000**	1000	253
4L-5	5	—	9 ⁵ / ₉	4 ³ / ₈	3 ⁵ / ₈	1/2-13	2000**	1600*	314
4L-125mm	—	(125)	9 ⁵ / ₉	4 ³ / ₈	3 ⁵ / ₈	1/2-13	1200	1600*	314
4L-6***	6	—	11 ³ / ₇	5 ¹ / ₃	4 ⁴ / ₇	1/2-13	2000	1600*	540
4L-150mm	—	(150)	11 ³ / ₇	5 ¹ / ₃	4 ⁴ / ₇	1/2-13	1200	1600*	538
4L-8	8	—	13 ³ / ₅	6 ² / ₅	5 ² / ₃	1/2-13	2000	2100*	645
4L-200mm	—	(200)	13 ³ / ₅	6 ² / ₅	5 ² / ₃	1/2-13	1400	2100*	643
4L-10****	10	(254)	17 ³ / ₅	8 ¹ / ₄	7 ¹ / ₄	1/2-13	NA	NA	1349
4L-12****	12	(300)	19 ³ / ₅	9 ¹ / ₄	8 ¹ / ₄	1/2-13	NA	NA	1526

* Only UL listed as a lateral brace for use with a 1" (25mm) pipe as the brace member.

** Only UL listed as a longitudinal brace for use with a 1" (25mm) thru 1¹/₂" (40mm) pipe as the brace member.

*** Fig 4L-4 and Fig 4L-6 are only sizes available in stainless steel 316.

**** FM approved not UL listed.



Eaton's B-Line series seismic bracing components are designed to be compatible only with other B-Line series bracing components, resulting in a listed seismic bracing assembly. Eaton B-Line Division warranty for seismic bracing components will be the warranty provided in Eaton B-Line Division standard terms and conditions of sale made available by Eaton, except that, in addition to the other exclusions from Eaton B-Line Division warranty, Eaton makes no warranty relating to B-Line series seismic bracing components that are combined with products not provided by Eaton.

All dimensions in charts and on drawings are in inches. Dimensions shown in parentheses are in millimeters unless otherwise specified.

TOLCO Fig. 4L - sway brace attachment (FM approved)

Size Range: 1" (25mm) through 12" (300mm) IPS.

Material: Steel.

Function: For bracing pipe against sway and seismic disturbance.

Approvals: Approved by Factory Mutual Engineering (FM), 1" (25mm) through 12" (300mm) pipe. For UL Listed information refer to UL Listed page 74. Included in our Seismic Engineering Guidelines approved by the State of California Office of Statewide Health Planning and Development (OSHPD). For additional load, spacing and placement information relating to OSHPD projects, please refer to our Seismic Engineering Guidelines, OPM-0052-13.

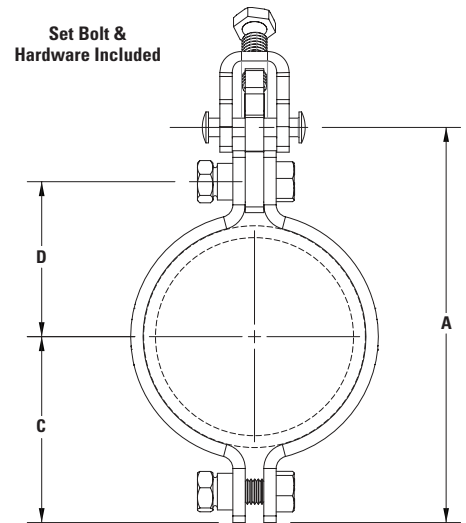
Installation Instructions: Fig. 4L is the "braced pipe" attachment component of a longitudinal and lateral sway brace assembly. It is intended to be combined with the "bracing pipe" and TOLCO™ structural attachment component to form a complete bracing assembly. NFPA 13 and/or FM guidelines should be followed.

To Install: Place the Fig. 4L over the pipe to be braced and tighten bolts. Then engage "bracing pipe" into jaw opening and tighten set bolt until head snaps off. Jaw attachment can pivot for adjustment to proper brace angle. (For complete detailed instructions see instruction sheet [IL309015EN](#)).

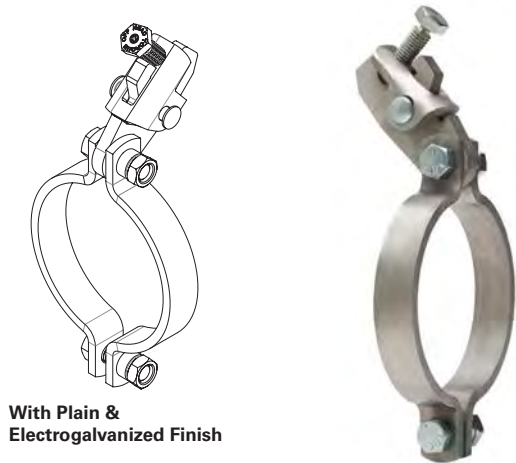
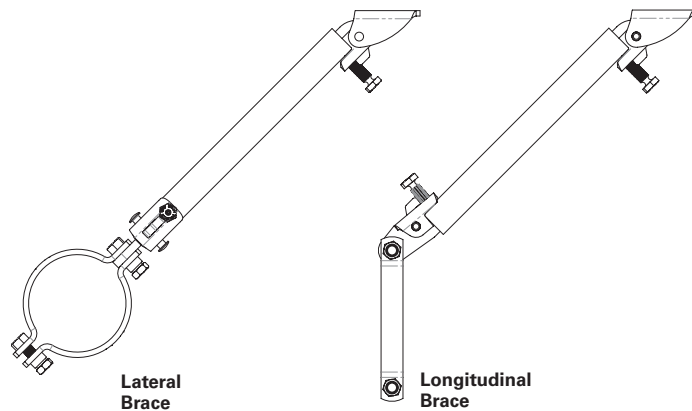
Finish: Plain, Electrogalvanized.

Order By: Figure number, pipe size and finish.

Designed to meet or exceed requirements of FM DS 2-8.



Seismic Bracing



Part No.	Nom Pipe Size in. (mm)	A (Max) in.	C in.	D in.	Bolt Size in.	FM Max. Rec. Load Longitudinal				FM Max. Rec. Load Lateral				Approx. Wt./100 lbs.	
						30°-44° lbs. (kN)	45°-59° lbs. (kN)	60°-74° lbs. (kN)	75°-90° lbs. (kN)	30°-44° lbs. (kN)	45°-59° lbs. (kN)	60°-74° lbs. (kN)	75°-90° lbs. (kN)		
4L-1	1 (25)	5	2	1 ³ / ₈	1/2-13	1060 (4.72)	1160 (5.16)	1400 (6.23)	1500 (6.68)	1370 (6.10)	1940 (8.63)	2380 (10.59)	2650 (11.79)	176	
4L-1 ¹ / ₄	1 ¹ / ₄ (32)	5 ² / ₇	2 ¹ / ₁₆	1 ⁵ / ₈	1/2-13	1060 (4.72)	1160 (5.16)	1400 (6.23)	1500 (6.68)	1370 (6.10)	1940 (8.63)	2380 (10.59)	2650 (11.79)	182	
4L-1 ¹ / ₂	1 ¹ / ₂ (40)	5 ¹ / ₂	2 ¹ / ₃	1 ² / ₃	1/2-13	740 (3.30)	1020 (4.54)	1250 (5.57)	920 (4.10)	1370 (6.10)	1940 (8.63)	2380 (10.59)	2650 (11.79)	187	
4L-2	2 (50)	6 ² / ₇	2 ² / ₃	2	1/2-13	740 (3.30)	1020 (4.54)	1250 (5.57)	920 (4.10)	1420 (6.32)	1990 (8.86)	2440 (10.86)	2720 (12.10)	204	
4L-2 ¹ / ₂	2 ¹ / ₂	—	6 ⁷ / ₈	3	2 ¹ / ₃	1/2-13	520 (2.32)	650 (2.90)	790 (3.52)	1040 (4.63)	1410 (6.28)	1990 (8.86)	2440 (10.86)	2720 (12.10)	220
4L-65mm	— (65)	6 ⁷ / ₈	3	2 ¹ / ₃	1/2-13	520 (2.32)	650 (2.90)	790 (3.52)	1040 (4.63)	1410 (6.28)	1990 (8.86)	2440 (10.86)	2720 (12.10)	218	
4L-3	3 (80)	7 ³ / ₇	3 ¹ / ₄	2 ⁵ / ₈	1/2-13	520 (2.32)	650 (2.90)	790 (3.52)	1040 (4.63)	1410 (6.28)	1990 (8.86)	2440 (10.86)	2720 (12.10)	323	
4L-3 ¹ / ₂	3 ¹ / ₂ (90)	8	3 ¹ / ₂	2 ⁷ / ₈	1/2-13	520 (2.32)	650 (2.90)	790 (3.52)	1040 (4.63)	1410 (6.28)	1990 (8.86)	2440 (10.86)	2720 (12.10)	343	
4L-4	4 (100)	8 ³ / ₇	3 ³ / ₄	3 ¹ / ₈	1/2-13	520 (2.32)	650 (2.90)	790 (3.52)	1040 (4.63)	1410 (6.28)	1990 (8.86)	2440 (10.86)	2720 (12.10)	253	
4L-5	5	—	9 ⁵ / ₈	4 ³ / ₈	3 ⁵ / ₈	1/2-13	520 (2.32)	650 (2.90)	790 (3.52)	1040 (4.63)	1410 (6.28)	1990 (8.86)	2440 (10.86)	313	
4L-125mm	— (125)	9 ⁵ / ₈	4 ³ / ₈	3 ⁵ / ₈	1/2-13	520 (2.32)	650 (2.90)	790 (3.52)	1040 (4.63)	1410 (6.28)	1990 (8.86)	2440 (10.86)	2720 (12.10)	312	
4L-6	6	—	11 ³ / ₇	5 ¹ / ₃	4 ⁴ / ₇	1/2-13	870 (3.87)	1200 (5.34)	1460 (6.50)	1630 (7.26)	1560 (6.94)	2210 (9.84)	2710 (12.06)	3020 (13.44)	540
4L-150mm	— (150)	11 ³ / ₇	5 ¹ / ₃	4 ⁴ / ₇	1/2-13	870 (3.87)	1200 (5.34)	1460 (6.50)	1630 (7.26)	1560 (6.94)	2210 (9.84)	2710 (12.06)	3020 (13.44)	538	
4L-8	8	—	13 ³ / ₅	6 ² / ₅	5 ² / ₃	1/2-13	1190 (5.30)	1440 (6.41)	1580 (7.03)	1750 (7.79)	1560 (6.94)	2210 (9.84)	2710 (12.06)	3020 (13.44)	645
4L-200mm	— (200)	13 ³ / ₅	6 ² / ₅	5 ² / ₃	1/2-13	1190 (5.30)	1440 (6.41)	1580 (7.03)	1750 (7.79)	1560 (6.94)	2210 (9.84)	2710 (12.06)	3020 (13.44)	643	
4L-10	10 (254)	17 ³ / ₅	8 ¹ / ₄	7 ¹ / ₄	1/2-13	1620 (7.21)	1660 (7.38)	1570 (6.98)	1740 (7.74)	1620 (7.21)	2300 (10.23)	2820 (12.54)	3140 (13.97)	1349	
4L-12	12 (300)	19 ³ / ₅	9 ¹ / ₄	8 ¹ / ₄	1/2-13	1620 (7.21)	1660 (7.38)	1570 (6.98)	1740 (7.74)	1620 (7.21)	2300 (10.23)	2820 (12.54)	3140 (13.97)	1526	

Eaton's B-Line series seismic bracing components are designed to be compatible only with other B-Line series bracing components, resulting in a listed seismic bracing assembly. Eaton B-Line Division warranty for seismic bracing components will be the warranty provided in Eaton B-Line Division standard terms and conditions of sale made available by Eaton, except that, in addition to the other exclusions from Eaton B-Line Division warranty, Eaton makes no warranty relating to B-Line series seismic bracing components that are combined with products not provided by Eaton.

All dimensions in charts and on drawings are in inches. Dimensions shown in parentheses are in millimeters unless otherwise specified.

Updated 4-2-21

Seismic Bracing

TOLCO Fig. 4LA - In-Line Sway Brace Attachment (UL Listed)

Size Range: 1" (25mm) through 8" (200mm) IPS.

Material: Steel

Function: For bracing pipe against sway and seismic disturbance.

Approvals: For FM Approval information refer to FM Approved page 77. Underwriters Laboratories Listed in the USA and Canada (cULus).

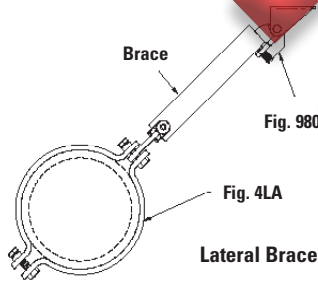
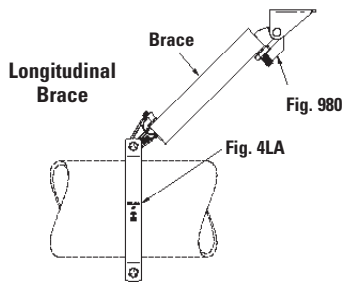
Included in our Seismic Engineering Guidelines approved by the State of California Office of Statewide Health Planning and Development (OSHPD). For additional load, spacing and placement information relating to OSHPD projects, please refer to our Seismic Engineering Guidelines, OPM-0052-13.

Installation Instructions: Fig. 4LA can be used as the system attachment component of a longitudinal or lateral brace assembly. It is intended to be combined with the "bracing member" and TOLCO™ transitional attachment and structural attachment to form a complete bracing assembly. For fire sprinkler applications NFPA 13 guidelines should be followed.

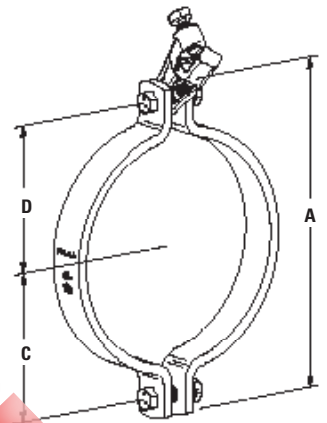
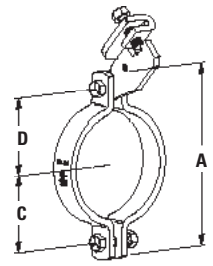
To Install: Place the Fig. 4LA pipe clamp component over the pipe to be braced and tighten down the break-off nuts until the hex head portion breaks off to verify correct installation torque. Next engage brace member (pipe or strut) with jaw component and tighten break-off head bolt until the hex head breaks off to verify correct installation torque. Pivot jaw for correct angle and attach to structure using TOLCO brand transitional attachment and structural attachment.

Finish: Plain or Electro-Galvanized. Contact customer service for alternative finishes and materials.

Order By: Figure number, pipe size and finish.



4LA-1 thru 4LA-4



4LA-6 thru 4LA-12

Part No.	Pipe Size in. (mm)	A in. (mm)	C in. (mm)	D in. (mm)	Bolt Size	UL Max. Rec. Load		Approx. Wt./100 lbs. (kg)
						Longitudinal lbs. (kN)	Lateral lbs. (kN)	
4LA-1	1" (25)	3 ¹⁹ / ₃₂ " (91.2)	1 ⁵ / ₁₆ " (33.5)	1 ⁵ / ₁₆ " (33.5)	3/8"-16	1000 (4.45)	NA (NA)	119 (54.0)
4LA-1 ¹ / ₄	1 ¹ / ₄ " (32)	3 ²⁹ / ₃₂ " (99.3)	1 ³ / ₈ " (35.3)	1 ³ / ₈ " (35.3)	3/8"-16	1000 (4.45)	NA (NA)	123 (55.8)
4LA-1 ¹ / ₂	1 ¹ / ₂ " (40)	4 ⁵ / ₃₂ " (105.7)	1 ¹ / ₂ " (38.5)	1 ¹ / ₂ " (38.5)	3/8"-16	1000 (4.45)	NA (NA)	127 (57.6)
4LA-2	2" (50)	5 ¹¹ / ₃₂ " (135.6)	2 ¹ / ₃₂ " (51.9)	2 ¹ / ₁₆ " (51.9)	3/8"-16	1000 (4.45)	NA (NA)	142 (64.4)
4LA-2 ¹ / ₂	2 ¹ / ₂ " (65)	5 ²⁷ / ₃₂ " (148.7)	2 ⁵ / ₁₆ " (58.5)	2 ⁵ / ₁₆ " (58.5)	3/8"-16	1000 (4.45)	NA (NA)	173 (78.5)
4LA-3	3" (80)	6 ¹ / ₂ " (164.9)	2 ⁵ / ₈ " (66.6)	2 ⁵ / ₈ " (66.6)	3/8"-16	1000 (4.45)	1000 (4.45)	187 (84.8)
4LA-3 ¹ / ₂	3 ¹ / ₂ " (90)	7.407" (188.1)	2 ⁷ / ₈ " (73.1)	2 ⁷ / ₈ " (73.1)	3/8"-16	1000 (4.45)	1000 (4.45)	198 (89.8)
4LA-4	4" (100)	7 ¹³ / ₃₂ " (190.8)	3 ¹ / ₈ " (79.5)	3 ¹ / ₈ " (79.5)	3/8"-16	1000 (4.45)	1000 (4.45)	209 (94.8)
4LA-6	6" (150)	10 ⁵ / ₈ " (269.9)	4 ⁹ / ₁₆ " (115.9)	4 ⁹ / ₁₆ " (115.9)	1/2"-13	1600 (7.12)	1600 (7.12)	521 (236.3)
4LA-8	8" (200)	12 ¹³ / ₁₆ " (325.5)	5 ⁹ / ₁₆ " (143.7)	5 ²¹ / ₃₂ " (143.7)	1/2"-13	2015 (7.12)	2015 (7.12)	629 (285.3)
4LA-10*	10" (250)	16 ¹ / ₂ " (419.1)	7 ¹ / ₄ " (184.2)	7 ¹ / ₄ " (184.2)	1/2"-13	NA (NA)	NA (NA)	1320 (598.7)
4LA-12*	12" (300)	18 ¹ / ₂ " (469.9)	8 ¹ / ₄ " (209.6)	8 ¹ / ₄ " (209.6)	1/2"-13	NA (NA)	NA (NA)	1496 (678.6)

* FM Approved but not UL Listed.

Eaton's B-Line series seismic bracing components are designed to be compatible only with other B-Line series bracing components, resulting in a listed seismic bracing assembly. Eaton B-Line Division warranty for seismic bracing components will be the warranty provided in Eaton B-Line Division standard terms and conditions of sale made available by Eaton, except that, in addition to the other exclusions from Eaton B-Line Division warranty, Eaton makes no warranty relating to B-Line series seismic bracing components that are combined with products not provided by Eaton.

All dimensions in charts and on drawings are in inches. Dimensions shown in parentheses are in millimeters unless otherwise specified.

TOLCO Fig. 4LA - In-Line Sway Brace Attachment (FM Approved)

Size Range: 1" (25mm) through 12" (300mm) IPS.

Material: Steel

Function: For bracing pipe against sway and seismic disturbance.

Approvals: Approved by Factory Mutual Engineering (FM), 1" (25mm) through 12" (300mm) pipe.

For UL Listed information refer to UL Listed page 76.

Included in our Seismic Engineering Guidelines approved by the State of California Office of Statewide Health Planning and Development (OSHPD). For additional load, spacing and placement information relating to OSHPD projects, please refer to our Seismic Engineering Guidelines, OPM-0052-13.

Installation Instructions: Fig. 4LA can be used as the system attachment component of a longitudinal or lateral brace assembly. It is intended to be combined with the "bracing member" and TOLCO™ transitional attachment and structural attachment to form a complete bracing assembly. For fire sprinkler applications NFPA 13 guidelines should be followed.

To Install: Place the Fig. 4LA pipe clamp component over the pipe to be braced and tighten down the break off nuts until the hex head portion breaks off to verify correct installation torque. Next engage brace member (pipe or strut) with jaw component and tighten break-off head bolt until the hex head breaks off to verify correct installation torque. Pivot jaw for correct angle and attach to structure using TOLCO brand transitional attachment and structural attachment.

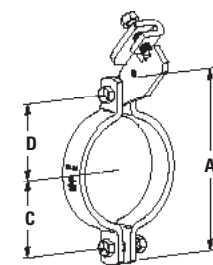
Finish: Plain or Electro-Galvanized. Contact customer service for alternative finishes and materials.

Order By: Figure number, pipe size and finish.

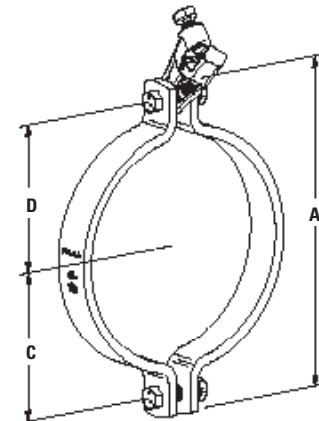
OPM  APPROVED



4LA-1 thru 4LA-4

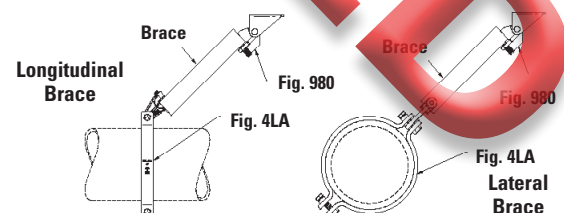


4LA-6 thru 4LA-12



Part No.	Pipe		Dimensions				Bolt Size	FM Max. Rec. Load Longitudinal & Lateral**				Approx. Wt./100 lbs. (kg)
	Size in. (mm)		A in. (mm)	C in. (mm)	D in. (mm)	30°-44° lbs. (kN)		45°-59° lbs. (kN)	60°-74° lbs. (kN)	75°-90° lbs. (kN)		
4LA-1	1" (25)		319/32" (91.2)	15/16" (33.5)	15/16" (33.5)	3/8"-16	680 (3.02)	970 (4.31)	1190 (5.29)	1320 (5.87)	119 (54.0)	
4LA-1 1/4	1 1/4" (32)		329/32" (99.3)	1 3/8" (35.3)	1 3/8" (35.3)	3/8"-16	680 (3.02)	970 (4.31)	1190 (5.29)	1320 (5.87)	123 (55.8)	
4LA-1 1/2	1 1/2" (40)		45 7/32" (105.7)	1 1/2" (38.5)	1 1/2" (38.5)	3/8"-16	680 (3.02)	970 (4.31)	1190 (5.29)	1320 (5.87)	127 (57.6)	
4LA-2	2" (50)		511/32" (135.6)	2 1/32" (51.9)	2 1/16" (51.9)	3/8"-16	680 (3.02)	970 (4.31)	1190 (5.29)	1320 (5.87)	142 (64.4)	
4LA-2 1/2	2 1/2" (65)		527/32" (148.7)	2 5/16" (58.5)	2 5/16" (58.5)	3/8"-16	680 (3.02)	970 (4.31)	1190 (5.29)	1320 (5.87)	173 (78.5)	
4LA-3	3" (80)		6 1/2" (164.9)	2 5/8" (66.6)	2 5/8" (66.6)	3/8"-16	680 (3.02)	970 (4.31)	1190 (5.29)	1320 (5.87)	187 (84.8)	
4LA-3 1/2	3 1/2" (90)		7.407" (188.1)	2 7/8" (73.1)	2 7/8" (73.1)	3/8"-16	680 (3.02)	970 (4.31)	1190 (5.29)	1320 (5.87)	198 (89.8)	
4LA-4	4" (100)		7 13/32" (190.8)	3 1/8" (79.5)	3 1/8" (79.5)	3/8"-16	680 (3.02)	970 (4.31)	1190 (5.29)	1320 (5.87)	209 (94.8)	
4LA-6	6" (150)		10 5/8" (269.9)	4 9/16" (115.9)	4 9/16" (115.9)	1 1/2"-13	1620 (7.20)	Note 1	Note 3	Note 5	521 (236.3)	
4LA-8	8" (200)		12 13/16" (325.5)	5 9/16" (143.7)	5 21/32" (143.7)	1 1/2"-13	1620 (7.20)	Note 2	Note 4	Note 6	629 (285.3)	
4LA-10	10" (250)		16 1/2" (419.1)	7 1/4" (184.2)	7 1/4" (184.2)	1 1/2"-13	1620 (7.20)	Note 2	Note 4	Note 6	1320 (598.7)	
4LA-12	12" (300)		18 1/2" (469.9)	8 1/4" (209.6)	8 1/4" (209.6)	1 1/2"-13	1620 (7.20)	Note 2	Note 4	Note 6	1496 (678.6)	

** Longitudinal and Lateral Loads are the same except where noted in chart.
 Note 1: Longitudinal Load 2260 lbs. (10.05kN) - Lateral Load 2300 lbs. (10.23kN)
 Note 2: Longitudinal Load 1660 lbs. (7.38kN) - Lateral Load 2300 lbs. (10.23kN)
 Note 3: Longitudinal Load 2010 lbs. (8.94kN) - Lateral Load 2820 lbs. (12.54kN)
 Note 4: Longitudinal Load 1570 lbs. (6.98kN) - Lateral Load 2820 lbs. (12.54kN)
 Note 5: Longitudinal Load 2220 lbs. (9.87kN) - Lateral Load 3140 lbs. (13.96kN)
 Note 6: Longitudinal Load 1740 lbs. (7.74kN) - Lateral Load 3140 lbs. (13.96kN)



Eaton's B-Line series seismic bracing components are designed to be compatible only with other B-Line series bracing components, resulting in a listed seismic bracing assembly. Eaton B-Line Division warranty for seismic bracing components will be the warranty provided in Eaton B-Line Division standard terms and conditions of sale made available by Eaton, except that, in addition to the other exclusions from Eaton B-Line Division warranty, Eaton makes no warranty relating to B-Line series seismic bracing components that are combined with products not provided by Eaton.

All dimensions in charts and on drawings are in inches. Dimensions shown in parentheses are in millimeters unless otherwise specified.

Seismic Bracing

TOLCO Figure 4B pipe clamp

Size Range: 3/4" (20mm) to 8" (200mm) pipe

Material: Steel

Function: For bracing pipe against sway and seismic disturbance

Approvals: Included in our Seismic Engineering Guidelines approved by the State of California Office of Statewide Health Planning and Development (OSHPD). For additional load, spacing and placement information relating to OSHPD projects, please refer to our Seismic Engineering Guidelines, OPM-0052-13.

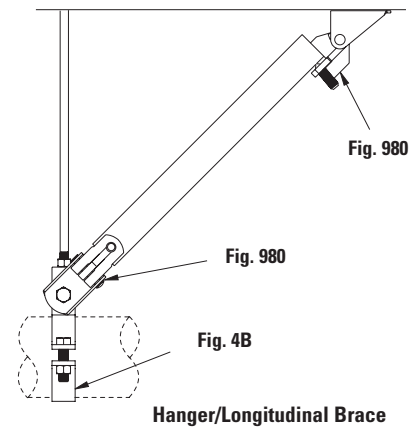
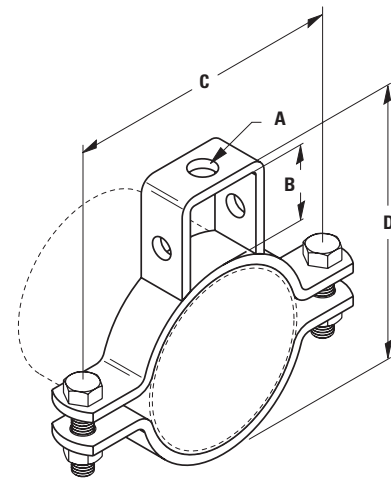
Standard Finish: Plain or Electro-Plated, Contact customer service for alternative finishes and materials.

Ordering: Specify part number and finish.

Installation Instructions: Fig. 4B is the "braced pipe" attachment component of a longitudinal or lateral sway brace assembly. It is intended to be combined with the "bracing pipe" and transitional and structural attachment component(s) to form a complete bracing assembly. OSHPD guidelines should be followed.

To Install: Place the Fig. 4B over the pipe to be braced. Attach other transitional fitting, Fig. 909, 910, 980, or 990. Tighten bolts and nuts. Transitional fitting attachment can pivot for adjustment to proper brace angle.

OPM



Part No.	Pipe Size in. (mm)	Rod Size A	B in. (mm)	C in. (mm)	D in. (mm)	Bolt Size	Approx. Wt./100 Lbs. (kg)
4B-3/4	3/4" (20)	3/8"-16	1" (25.4)	2 7/8" (73.0)	2 5/8" (66.7)	5/16"-18	56 (25.4)
4B-1	1" (25)	3/8"-16	1" (25.4)	3 1/4" (82.5)	2 15/16" (74.6)	5/16"-18	60 (27.2)
4B-1 1/4	1 1/4" (32)	3/8"-16	1" (25.4)	3 9/16" (90.6)	3 1/4" (82.5)	5/16"-18	74 (33.5)
4B-1 1/2	1 1/2" (40)	3/8"-16	1" (25.4)	3 13/16" (96.8)	3 7/16" (87.3)	5/16"-18	79 (35.8)
4B-2	2" (50)	3/8"-16	1 1/2" (38.1)	5 1/8" (130.2)	4 5/8" (117.5)	5/16"-18	156 (70.7)
4B-2 1/2	2 1/2" (65)	1/2"-13	1 3/4" (44.4)	5 5/8" (142.9)	5 3/8" (136.5)	3/8"-16	176 (79.8)
4B-3	3" (80)	1/2"-13	1 7/8" (47.6)	6 3/4" (171.4)	6 1/8" (155.5)	3/8"-16	198 (89.9)
4B-3 1/2	3 1/2" (90)	1/2"-13	2" (50.8)	7 1/4" (184.1)	6 3/4" (171.4)	3/8"-16	219 (99.3)
4B-4	4" (100)	5/8"-11	2" (50.8)	8 5/8" (219.1)	7 1/4" (184.1)	1/2"-13	288 (130.6)
4B-5	5" (125)	5/8"-11	2" (50.8)	9 7/8" (250.8)	8 5/16" (211.1)	5/8"-11	390 (176.9)
4B-6	6" (150)	3/4"-10	2 7/8" (54.0)	10 15/16" (277.8)	9 1/2" (241.3)	5/8"-11	448 (203.2)
4B-8	8" (200)	7/8"-9	2 7/8" (54.0)	13 7/16" (341.2)	11 1/2" (292.1)	3/4"-10	691 (313.4)

Refer to OPM-0052-13 for approved loads.

Eaton's B-Line series seismic bracing components are designed to be compatible only with other B-Line series bracing components, resulting in a listed seismic bracing assembly. Eaton B-Line Division warranty for seismic bracing components will be the warranty provided in Eaton B-Line Division standard terms and conditions of sale made available by Eaton, except that, in addition to the other exclusions from Eaton B-Line Division warranty, Eaton makes no warranty relating to B-Line series seismic bracing components that are combined with products not provided by Eaton.

All dimensions in charts and on drawings are in inches. Dimensions shown in parentheses are in millimeters unless otherwise specified.

AWSD Series - Power Stud+^{®†} SD2 seismic wedge anchors



OPM

Features:

- Fully threaded, torque-controlled, wedge anchor which is designed for consistent performance in cracked and uncracked concrete.
- For use in concrete, structural sand lightweight concrete, and concrete over metal deck.
- Nominal drill bit size is the same as the anchor diameter.
- ICC-ES listed, ESR-2502, Category 1
- Zinc plated carbon steel body with stainless steel expansion clip from premium performance.
- Qualified for seismic and wind loading.



Approvals: Included in our Seismic Engineering Guidelines approved by the State of California Office of Statewide Health Planning and Development (OSHPD). For additional load, spacing and placement information relating to OSHPD projects, please refer to our Seismic Engineering Guidelines, OPM-0052-13.

ICC-ES Certified. See ICC-ESR-2502

UL (Underwriters Laboratories) Listed

FM (Factory Mutual) Approved

Refer to pages 11-20 through 11-23 in Seismic Engineering Guidelines OPM-0052-13 for approval OSHPD structural attachment data.

Seismic Wedge Anchor - Data	3/8"-16	1/2"-13	5/8"-11	3/4"-10
ANSI Drill Bit Size (in. - mm)	3/8" - (9.5mm)	1/2" - (12.7mm)	5/8" - (15.9mm)	3/4" - (19.0mm)
Fixture Clearance Hole (in. - mm)	7/16" - (11.1mm)	9/16" - (14.3mm)	1 1/16" - (17.5mm)	13/16" - (20.6mm)
Minimum Hole Depth (in. - mm)	2 5/8" - (66.7mm)	2 3/4" - (69.8mm)	4 1/4" - (107.9mm)	5" - (127.0mm)
Minimum Concrete Thickness (in. - mm)	4" - (101.6mm)	4 1/2" - (114.3mm)	5 3/4" - (146.0mm)	7" - (177.8mm)
Max. Tightening Torque (lbs-ft - N•m)	20 lbs-ft - (27.1N•m)	40 lbs-ft - (54.2N•m)	60 lbs-ft - (81.3N•m)	110 lbs-ft - (149.1N•m)
Min. Embedment Depth (in. - mm)	2 3/8" - (60.3mm)	2 1/2" - (63.5mm)	3 7/8" - (98.4mm)	4 1/2" - (114.3mm)

For loading information, refer to the ICC-ES ESR-2502 evaluation report.

Wedge Anchor Part No.	Anchor Size		Thread Length		Wt./100	
	Diameter in. (mm)	Length in. (mm)	in. (mm)	in. (mm)	Lbs. (kg)	Lbs. (kg)
AWSD-37-300	3/8" (9.5)	3" (76.2)	1 3/4" (44.4)		11.4	(5.2)
AWSD-37-350	3/8" (9.5)	3 1/2" (88.9)	2 1/4" (57.1)		12.2	(5.5)
AWSD-37-375	3/8" (9.5)	3 3/4" (95.2)	2 1/2" (63.5)		13.2	(6.0)
AWSD-37-500	3/8" (9.5)	5" (127.0)	3 3/4" (95.2)		16.0	(7.2)
AWSD-50-375	1/2" (12.7)	3 3/4" (95.2)	2 1/8" (54.0)		23.0	(10.4)
AWSD-50-450	1/2" (12.7)	4 1/2" (114.3)	2 1/8" (73.0)		26.6	(12.0)
AWSD-50-550	1/2" (12.7)	5 1/2" (139.7)	3 1/8" (98.4)		34.0	(15.4)
AWSD-50-700	1/2" (12.7)	7" (177.8)	5 3/8" (136.5)		38.0	(17.2)
AWSD-62-475	5/8" (15.9)	4 3/4" (120.6)	2 1/8" (73.0)		50.3	(22.8)
AWSD-62-500	5/8" (15.9)	5" (127.0)	3 1/8" (79.4)		52.0	(23.6)
AWSD-62-600	5/8" (15.9)	6" (152.4)	4 1/8" (104.8)		58.8	(26.7)
AWSD-62-700	5/8" (15.9)	7" (177.8)	5 1/8" (130.2)		65.2	(29.6)
AWSD-75-550	3/4" (19.0)	5 1/2" (139.7)	3 1/4" (82.5)		81.5	(36.9)
AWSD-75-625	3/4" (19.0)	6 1/4" (158.7)	4" (101.6)		94.0	(42.6)
AWSD-75-700	3/4" (19.0)	7" (177.8)	4 3/4" (120.6)		106.5	(48.3)

[†] Power Stud+[®] SD2 is a registered trademark used by DeWalt.

All dimensions in charts and on drawings are in inches. Dimensions shown in parentheses are in millimeters unless otherwise specified.

Concrete Anchors

TOLCO Fig. 109DD - DDI+™† - concrete deck insert - hanger application

Size Range: 3/8"-16 thru 7/8"-9 rod

Material: Steel

Function: For use in concrete filled metal deck (20 GA. min.) assemblies (i.e. pan deck, Q-deck) applications. After installation, the threaded male hanger of the insert protrudes below the surface of the deck. The threaded bolt offers adjustability for precise height requirements and guarantees the minimum embedment depth. The longer plate enables a variety of installation locations across the deck. Pre-mounted drill screws included for installation.

Approvals: International Code Council, Evaluation Service (ICC-ES), ESR-3958 for concrete, for 3/8"-16 thru 5/8"-11" anchor sizes.

Approved for seismic and wind loading.

UL (Underwriters Laboratories) Listed

FM (Factory Mutual) Approved

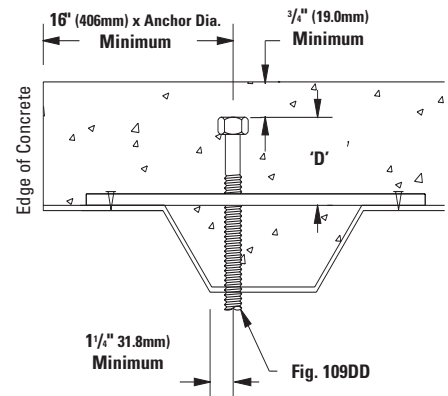
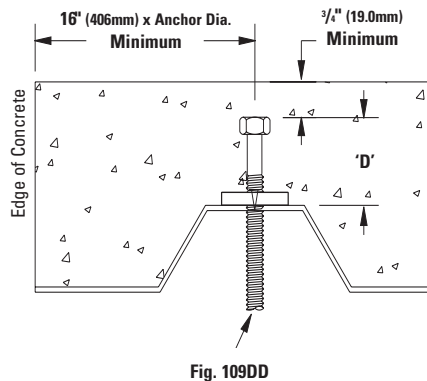
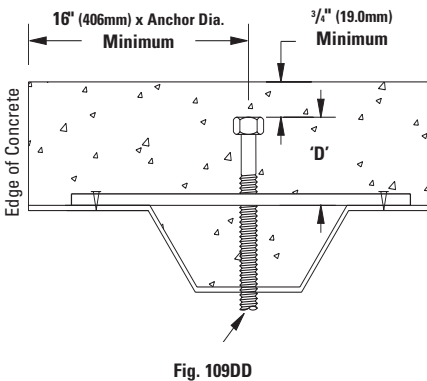
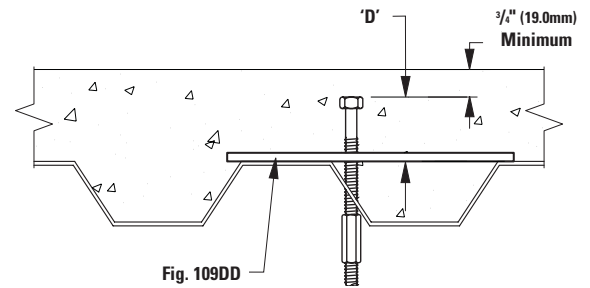
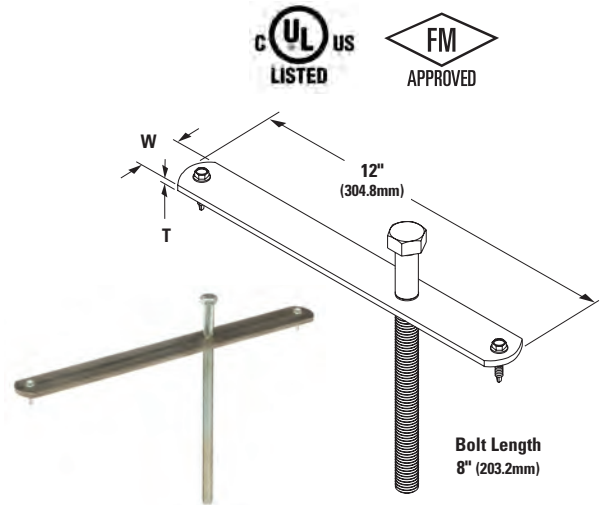
Finish: Plate: Plain Steel. Rod: Electro-Galvanized.

Order By: Figure number, rod size and finish.

Applications Per NFPA 13 (2010): UL Listed as a component of a hanger assembly per Section 9.1.1.4.1

See dimensions and installation Detail below.

Note: Fig. 109DD replaces Fig. 109A which has been discontinued.



Part No.	Rod Size	T in. (mm)	W in. (mm)	Max. Vertical Load lbs. (kn)	'D' Min. Anchor Embedment Depth in. (mm)	Approx. Wt./100 lbs. (kg)
109DD-3/8	3/8"-16	3/16" (4.7)	1 1/4" (31.7)	467 (2.08)	2 1/2" (63.5)	98.1 (44.5)
109DD-1/2	1/2"-13	3/16" (4.7)	1 1/4" (31.7)	680 (3.02)	2 1/2" (63.5)	112.8 (51.1)
109DD-5/8	5/8"-11	3/16" (4.7)	1 1/4" (31.7)	647 (2.88)	2 1/2" (63.5)	139.3 (63.2)
109DD-3/4	3/4"-10	3/8" (9.5)	2" (50.8)	612 (2.72)	2 1/2" (63.5)	112.8 (153.6)
109DD-7/8	7/8"-9	3/8" (9.5)	2" (50.8)	577 (2.56)	2 1/2" (63.5)	381.2 (172.9)

NOTES:

1. Mounting holes are standard. If the plate is not mechanically secured to the deck ribs, a jam nut is required to prevent the anchor bolt from laying over when concrete is poured. There is no structural strength added from the use of a mechanical fastener to hold the product in place before the pour.
2. Minimum spacing between inserts shall be not less than 3 times the embedment depth or 12 times the anchor diameter (whichever is greater)

† DDI+™ is a registered trademark used by DEWALT®

All dimensions in charts and on drawings are in inches. Dimensions shown in parentheses are in millimeters unless otherwise specified.

TOLCO Fig. 109DD-DDI+™† - concrete deck insert - brace application

Size Range: 3/8"-16 thru 7/8"-9 rod

Material: Steel

Function: For use in concrete filled metal deck (20 GA. min.) assemblies (i.e. pan deck, Q-deck) applications. After installation, the threaded male hanger of the insert protrudes below the surface of the deck. The threaded bolt offers adjustability for precise height requirements and guarantees the minimum embedment depth. The longer plate enables a variety of installation locations across the deck. Pre-mounted drill screws included for installation.

Approvals: International Code Council, Evaluation Service (ICC-ES), ESR-3958 for concrete, for 3/8"-16 thru 5/8"-11" anchor sizes. Approved for seismic and wind loading.

UL (Underwriters Laboratories) Listed

FM (Factory Mutual) Approved

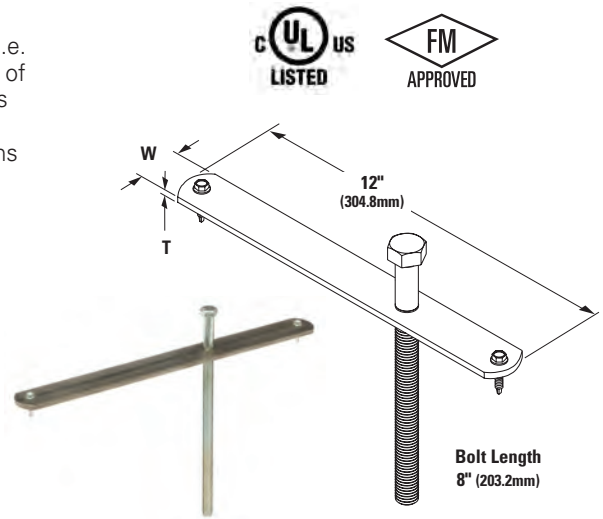
Finish: Plate: Plain Steel. Rod: Electro-Galvanized.

Order By: Figure number, rod size and finish.

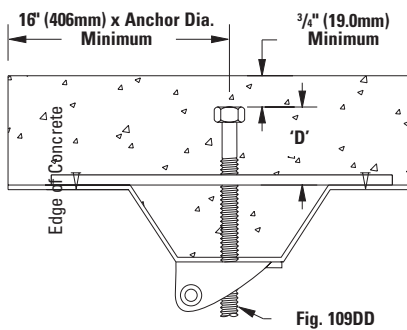
Applications Per NFPA 13 (2010): UL Listed as a component of a hanger assembly per Section 9.1.1.4.1

See dimensions and installation Detail below.

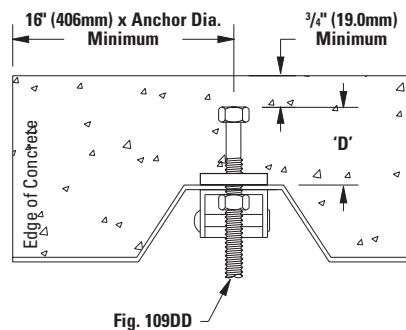
Note: Fig. 109DD replaces Fig. 109A which has been discontinued.



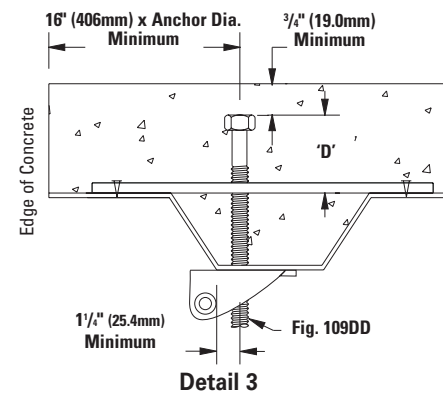
Concrete Anchors



Detail 1



Detail 2



Detail 3

Part No.	Rod Size	T in. (mm)	W in. (mm)	Details 1 & 2 Max. Horizontal Load Brace At 45° lbs. (kN)	Detail 3 Max. Horizontal Load Brace At 45° lbs. (kN)	'D' Min. Anchor Embedment Depth in. (mm)	Approx. Wt./100 lbs. (kg)
109DD-3/8	3/8"-16	3/16" (4.7)	1 1/4" (31.7)	311 (1.38)	257 (1.14)	2 1/2" (63.5)	98.1 (44.5)
109DD-1/2	1/2"-13	3/16" (4.7)	1 1/4" (31.7)	424 (1.89)	332 (1.48)	2 1/2" (63.5)	112.8 (51.1)
109DD-5/8	5/8"-11	3/16" (4.7)	1 1/4" (31.7)	482 (2.14)	363 (1.61)	2 1/2" (63.5)	139.3 (63.2)
109DD-3/4	3/4"-10	3/8" (9.5)	2" (50.8)	482 (2.14)	363 (1.61)	2 1/2" (63.5)	338.7 (153.6)
109DD-7/8	7/8"-9	3/8" (9.5)	2" (50.8)	482 (2.14)	363 (1.61)	2 1/2" (63.5)	381.2 (172.9)

Seismic bracing design load calculated in compliance with the requirements of IBC 2015 / CBC 2016.

NOTES:

1. Mounting holes are standard. If the plate is not mechanically secured to the deck ribs, a jam nut is required to prevent the anchor bolt from laying over when concrete is poured. There is no structural strength added from the use of a mechanical fastener to hold the product in place before the pour.
2. Minimum spacing between inserts shall be not less than 3 times the embedment depth or 12 times the anchor diameter (whichever is greater)

† DDI+™ is a registered trademark used by DEWALT®

All dimensions in charts and on drawings are in inches. Dimensions shown in parentheses are in millimeters unless otherwise specified.

Concrete Anchors

ACPW Series - Wood-Knocker™ II

Features:

- Wood-Knocker™ II concrete inserts are installed onto wooden forms used to support newly poured concrete floor slabs, roof slabs or walls.
- When the forms are stripped, the color-coded flange is visibly embedded in the concrete surface.
- The unique, six sided impact plate offers resistance to rotation within the concrete as threaded rod is being installed.
- Suitable for overhead installations such as suspending cable tray, pipe hangers, strut and conduit.
- Color coded by size for all trades.
- UL and FM approved.
- Lowest installation cost.

Approvals: Qualified for static, wind, and seismic loading in concrete. Included in our Seismic Engineering Guidelines approved by the State of California Office of Statewide Health Planning and Development (OSHPD). For additional load, spacing and placement information relating to OSHPD projects, please refer to our Seismic Engineering Guidelines, OPM-0052-13.

ICC-ES Certified. See ICC-ESR-3657

UL (Underwriters Laboratories) Listed

FM (Factory Mutual) Approved

Refer to pages 11-26 through 11-27 in Seismic Engineering Guidelines OPM-0052-13 for approval OSHPD structural attachment data.



ACPW-50 shown



Catalog Number	Rod Diameter	Color
ACPW-25-2	1/4"	Brown
ACPW-37-2	3/8"	Green
ACPW-3750-2	3/8"-1/2"	Gray
ACPW-50-2	1/2"	Yellow
ACPW-62-2	5/8"	Red
ACPW-75-2	3/4"	Purple

Wood Knocker™ - Data	1/4"	3/8"	1/2"	5/8"	3/4"
Insert Thread Length (in.)	3/8	5/8	11/16	15/16	1 1/8
Plastic Flange Diameter (in.)	1 3/8	1 3/8	1 3/8	1 5/8	1 5/8
Thread Size (UNC)	1/4"-20	3/8"-16	1/2"-13	5/8"-11	3/4"-10
Overall Length (in.)	1 7/8	1 7/8	1 7/8	1 7/8	1 7/8
Min. Insert Spacing (in.)	9	9	9	12	12
Min. End Distance (in.)	6	6	6	9	9
Load Capacity Tension (lbs) *	930	1200	1200	1160	1160
Load Capacity Shear (lbs) *	370	1330	1840	2800	2800

* Based on normal weight concrete with minimum compression strength of 3000 psi. Allowable load capacities are calculated using applied safety factor of 4.0. For additional loading information contact factory. Minimum embedment depth is 2".

† Wood-Knocker™ is a registered trademark used by DeWalt.

All dimensions in charts and on drawings are in inches. Dimensions shown in parentheses are in millimeters unless otherwise specified.

ACPD Series - Bang-It™+ anchors

Features:

- Bang-It™+ concrete inserts are designed for installation in and through metal composite deck used to support newly poured concrete floors or roof slabs.
- After installation, the protective sleeve of the insert protrudes below the surface of the deck, allowing overhead attachment of threaded rod.
- The unique, six sided impact plate offers resistance to rotation within the concrete as threaded rod is being installed.
- Suitable for overhead installations such as suspending cable tray, pipe hangers, strut and conduit.
- Color coded by size for all trades.
- Lowest installation cost.

Approvals: Qualified for static, wind, and seismic loading in concrete. Included in our Seismic Engineering Guidelines approved by the State of California Office of Statewide Health Planning and Development (**OSHPD**). For additional load, spacing and placement information

relating to OSHPD projects, please refer to our Seismic Engineering Guidelines, OPM-0052-13.

ICC-ES Certified. See ICC-ESR-3657

UL (Underwriters Laboratories) Listed

FM (Factory Mutual) Approved

Refer to pages 11-28 through 11-32 in Seismic Engineering Guidelines OPM-0052-13 for approval OSHPD structural attachment data.



Concrete Anchors

Catalog Number	Rod Diameter	Color
ACPD-25	1/4"	Brown
ACPD-37	3/8"	Green
ACPD-3750-2	3/8"-1/2"	Gray
ACPD-50	1/2"	Yellow
ACPD-62	5/8"	Red
ACPD-75	3/4"	Purple

Catalog Number	Description
ACPD-HS813-2	13/16" Carbide Hole Saw for 1/4", 3/8", 1/2"
ACPD-HS1188-2	13/16" Carbide Hole Saw for 5/8", 3/4"

Bang-It™ - Data	1/4"	3/8"	1/2"	5/8"	3/4"
Metal Hole Saw Diameter (in.)	13/16	13/16	13/16	13/16	13/16
Drilling Speed (rpm)	700-900	700-900	700-900	500-700	500-700
Insert Thread Length (in.)	3/8	5/8	11/16	15/16	11/8
Length of Sleeve (in.)	33/8	33/8	33/8	33/8	33/8
Thread Size (UNC)	1/4"-20	3/8"-16	1/2"-13	5/8"-11	3/4"-10
Embedment Depth (in.)	2	2	2	2	2
Upper Deck Tension Load (lbs) *	1115	1915	2370	2935	2935
Lower Deck Tension Load (lbs) *	830	830	830	930	990
Upper Deck Shear Load (lbs) *	835	1115	1115	1115	1115
Lower Deck Shear Load (lbs) *	625	840	840	840	840

* Based on sand lightweight and normal weight concrete with minimum compression strength of 3000 psi over steel deck. Allowable load capacities are calculated using applied safety factor of 4.0. For additional loading information contact factory.

Minimum insert spacing of 6", minimum end spacing 6".

† Bang-It™ is a registered trademark used by DeWalt

All dimensions in charts and on drawings are in inches. Dimensions shown in parentheses are in millimeters unless otherwise specified.

Concrete Anchors

ACB Series - concrete screw bolts

Features:

- For use in racking, shelving, material handling, structural anchorage, masonry AND food & beverage facilities.
- One piece heavy-duty anchor with a finished hex-head.
- Fits standard fixture hole dimensions in fabricated steel.
- Fast installation and immediate loading reduces downtime.
- For proper performance, screw anchors must be installed with the corresponding bits. The bits have a matched tolerance range designed to provide optimum performance.



Concrete Screw Bolts - Data	1/4"	3/8"
ACB Drill Bit Size (in. - mm)	1/4" - (6.3mm)	3/8" - (9.5mm)
Concrete Screw Tolerance Range (in. - mm)	0.255" - 0.259" - (6.5mm - 6.6mm)	0.385" - 0.389" - (9.8mm - 9.9mm)
Min. Embedment Depth (in. - mm)	1" - (25.4mm)	1 1/2" - (38.1mm)
Load Capacity Tension (lbs - kN) *	335 lbs. - (1.49kN)	630 lbs. - (2.80kN)
Load Capacity Shear (lbs - kN) *	520 lbs. - (2.31kN)	1170 lbs. - (5.20kN)

* Based on concrete compression strength of 4000 psi in uncracked concrete using applied safety factor of 4.0. For additional loading information contact factory.

For ultimate strength design data in cracked and uncracked concrete, refer to ICC-ES ESR-3889 evaluation report.

Concrete Bolt Part No.	Diameter		Length		Thread Length		Wt./100	
	in.	(mm)	in.	(mm)	in.	(mm)	Lbs.	(kg)
ACB-25-175-2	1/4"	(6.3)	1 3/4"	(44.4)	1 5/8"	(41.3)	3.5	(1.6)
ACB-25-225-2	1/4"	(6.3)	2 1/4"	(57.1)	2"	(50.8)	4.2	(1.9)
ACB-25-300-2	1/4"	(6.3)	3"	(76.2)	2 3/4"	(69.8)	5.0	(2.3)
ACB-37-175-2	3/8"	(9.5)	1 3/4"	(44.4)	1 1/2"	(38.1)	7.8	(3.5)
ACB-37-250-2	3/8"	(9.5)	2 1/2"	(63.5)	2 1/4"	(57.1)	10.2	(4.6)
ACB-37-300-2	3/8"	(9.5)	3"	(76.2)	2 3/4"	(69.8)	11.6	(5.3)
ACB-37-400-2	3/8"	(9.5)	4"	(101.6)	3 3/4"	(95.2)	14.8	(6.7)

ATM Series - self-tapping machine screw anchors

Features:

- For use in normal-weight concrete, structural sand lightweight concrete and concrete over metal deck.
- Anchor design allows for shallow embedment and mechanically interlocks with base material.
- Internally threaded anchor for easy adjustment and removability of threaded rod or bolt.
- Fast anchor installation with a powered impact wrench.
- Suitable for overhead applications such as suspending cable tray, strut, pipe hangers and conduit.
- Made of Zinc Plated carbon steel.
- Setting tool included.
- **Approvals: ICC-ES** certified. See ICC-ESR-2272.
FM (Factory Mutual) Approved



Part No.	Anchor Thread Size	Thread Length		Wt./100	
		in.	(mm)	lbs.	(kg)
ATM-37	3/8"-16	1 1/16"	(17.6)	5.2	(2.3)

Self-Tapping Machine Screw Anchor - Data	3/8"
ANSI Drill Bit Size (in. - mm)	1/2" - (12.7mm)
Minimum Concrete Thickness (in. - mm)	4" - (101.6mm)
Max. Tightening Torque (lbs-ft - N•m)	8 lbs-ft - (10.8N•m)
Min. Embedment Depth (in. - mm)	1 3/8" - (41.3mm)
Load Capacity Tension (lbs - kN) **	540 lbs - (2.40kN)
Load Capacity Shear (lbs - kN) **	825 lbs - (3.67kN)

** Based on concrete compression strength of 4000 psi in uncracked concrete using applied safety factor of 4.0. For additional loading information contact factory. For ultimate strength design data in cracked and uncracked concrete, refer to ICC-ES ESR-2272 evaluation report.

All dimensions in charts and on drawings are in inches. Dimensions shown in parentheses are in millimeters unless otherwise specified.

B3068 - Welded bracket - light duty

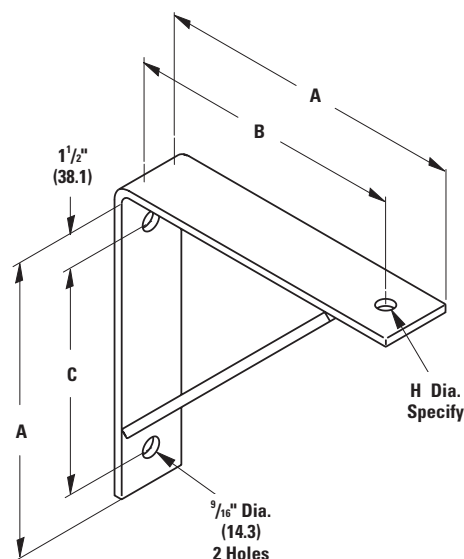
Material: Steel

Function: Recommended for suspending pipe outward from mounting surface.

Approvals: Conforms to Federal Specification WW-H-171E & A-A-1192A, Type 32 and Manufacturers Standardization Society ANSI/MSS SP-69 & SP-58, Type 31.

Finish: Plain or Electro-Galvanized.
Contact customer service for alternative finishes and materials.

Order By: Part number, hole size 'H', and finish



Part No.	A		B		C		H Dia.		Design Load *	Approx. Wt./100		
	in.	(mm)	in.	(mm)	in.	(mm)	in.	(mm)		Lbs.	(kg)	
B3068-1	9"	(228.6)	8"	(203.2)	6 1/2"	(165.1)	Specify	(Specify)	275	(1.22)	360	(163.3)
B3068-2	13"	(330.2)	12"	(304.8)	10 1/2"	(266.7)	Specify	(Specify)	275	(1.22)	582	(264.0)
B3068-3	19"	(482.6)	18"	(457.2)	16 1/2"	(419.1)	Specify	(Specify)	275	(1.22)	860	(390.1)

* Design load based on a safety factor of 5 and reduced by 250 lbs per NFPA.

B3065 - Welded bracket - light duty

Max. Recommended Load: 275 lbs. (1.22kN)

Material: Steel

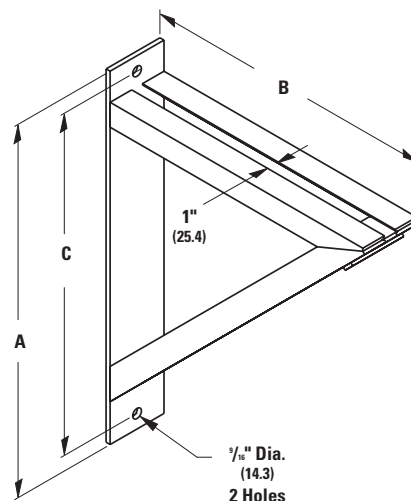
Function: Recommended for supporting pipe on top or hanging through support bracket outward from mounting surface.

Approvals: Conforms to Federal Specification WW-H-171E & A-A-1192A, Type 32 and Manufacturers Standardization Society ANSI/MSS SP-69 & SP-58, Type 31.

Finish: Plain

Note: Available in Electro-Galvanized and HDG finish or Stainless Steel materials.

Order By: Figure number and finish



Part No.	A		B		C		Design Load *		Approx. Wt./100	
	in.	(mm)	in.	(mm)	in.	(mm)	Lbs.	(kN)	Lbs.	(kg)
B3065-1	13"	(330.2)	9"	(228.6)	11 1/2"	(292.1)	275	(1.22)	571	(259.0)
B3065-2	17"	(431.8)	13"	(330.2)	15 1/2"	(393.7)	275	(1.22)	769	(348.8)
B3065-3	23"	(584.2)	19"	(482.6)	21 1/2"	(546.1)	275	(1.22)	1057	(479.4)

* Design load based on a safety factor of 5 and reduced by 250 lbs per NFPA.

All dimensions in charts and on drawings are in inches. Dimensions shown in parentheses are in millimeters unless otherwise specified.

Brackets

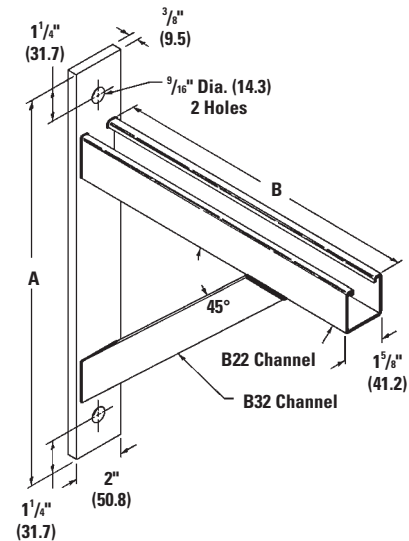
B3064 - Adjustable strut bracket

Material: Steel

Function: Designed for supporting pipe from walls or structures where lateral adjustment is required.

Standard Finish: Plain or Electro-Galvanized

Order By: Part number and finish.



Part No.	A		B		Design Load *		Approx. Wt./100	
	in.	(mm)	in.	(mm)	Lbs.	(kN)	Lbs.	(kg)
B3064-1	15"	(381.0)	12"	(304.8)	590	(2.62)	660	(299.4)
B3064-2	21"	(533.4)	18"	(457.2)	310	(1.38)	1004	(455.4)
B3064-3	27"	(685.8)	24"	(609.6)	170	(0.75)	1346	(610.5)

* Design load based on a safety factor of 5 and reduced by 250 lbs per NFPA.

Brackets

B3066 - Welded bracket - medium duty

Max. Recommended Load: 800 lbs. (3.56kN)

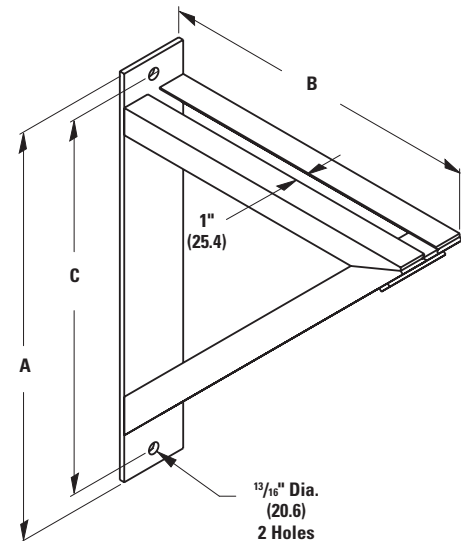
Material: Steel

Function: Recommended for supporting pipe on top or hanging through support bracket outward from mounting surface.

Approvals: Conforms to Federal Specification WW-H-171E & A-A-1192A, Type 33 and Manufacturers Standardization Society ANSI/MSS SP-69 & SP-58, Type 32.

Finish: Plain. Contact customer service for alternative finishes and materials.

Order By: Figure number and finish



Part No.	A		B		C		Design Load *		Approx. Wt./100	
	in.	(mm)	in.	(mm)	in.	(mm)	Lbs.	(kN)	Lbs.	(kg)
B3066-0	18"	(457.2)	12"	(304.8)	15 1/2"	(393.7)	800	(3.56)	1577	(715.3)
B3066-1	24"	(609.6)	18"	(457.2)	21 1/2"	(546.1)	800	(3.56)	2578	(1169.4)
B3066-2	30"	(762.0)	24"	(609.6)	27 1/2"	(698.5)	800	(3.56)	4446	(2016.7)

* Design load based on a safety factor of 5 and reduced by 250 lbs per NFPA.

All dimensions in charts and on drawings are in inches. Dimensions shown in parentheses are in millimeters unless otherwise specified.

B3067 - Welded bracket - heavy duty

Max. Recommended Load: 3000 lbs. (13.34kN)

Material: Steel

Function: Recommended for supporting pipe on top or hanging through support bracket outward from mounting surface.

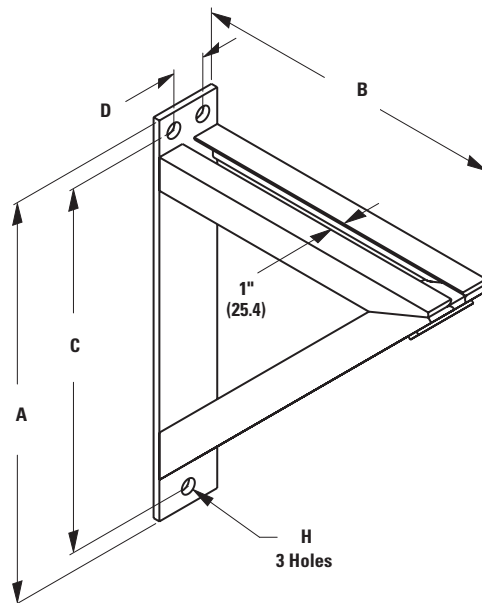
Approvals: Conforms to Federal Specification WW-H-171E & A-A-1192A, Type 33 and Manufacturers Standardization Society ANSI/MSS SP-69 & SP-58, Type 33.

Finish: Plain or Electro-Galvanized. Contact customer service for alternative finishes and materials.

Order By: Part number and finish



**B3067-0
Shown**



Only one hole in top for B3067-0



Part No.	Mtg. Hole H in. (mm)	A in. (mm)	B in. (mm)	C in. (mm)	D in. (mm)
B3067-0	1 1/8" (28.6)	18" (457.2)	12" (304.8)	15 1/4" (387.3)	** **
B3067-1	1 1/8" (28.6)	24" (609.6)	18" (457.2)	21 1/4" (539.7)	2 1/2" (63.5)
B3067-2	1 1/8" (28.6)	30" (762.0)	24" (609.6)	27 1/4" (692.1)	2 1/2" (63.5)
B3067-3	1 1/8" (28.6)	36" (914.4)	30" (762.0)	33" (838.2)	2 1/2" (63.5)
B3067-4	1 1/8" (28.6)	42" (1066.8)	36" (914.4)	39" (990.6)	3 1/2" (88.9)
B3067-5	1 1/8" (28.6)	50" (1270.0)	42" (1066.8)	46" (1168.4)	3 1/2" (88.9)

** One Hole

Part No.	Design Load *		Approx. Wt./100	
	Lbs.	(kN)	Lbs.	(kg)
B3067-0	1850	(8.23)	2195	(995.6)
B3067-1	1850	(8.23)	4398	(1994.9)
B3067-2	1850	(8.23)	6294	(2854.9)
B3067-3	1850	(8.23)	7196	(3264.1)
B3067-4	1850	(8.23)	13197	(5986.2)
B3067-5	1850	(8.23)	15795	(7164.6)

* Design load based on a safety factor of 5 and reduced by 250 lbs per NFPA.

All dimensions in charts and on drawings are in inches. Dimensions shown in parentheses are in millimeters unless otherwise specified.

B3069W - Welded knee bracket

Size Range: 1/2" (15mm) thru 8" (200mm) pipe

Material: Steel

Function: Recommended for suspending pipe outward from mounting surface.

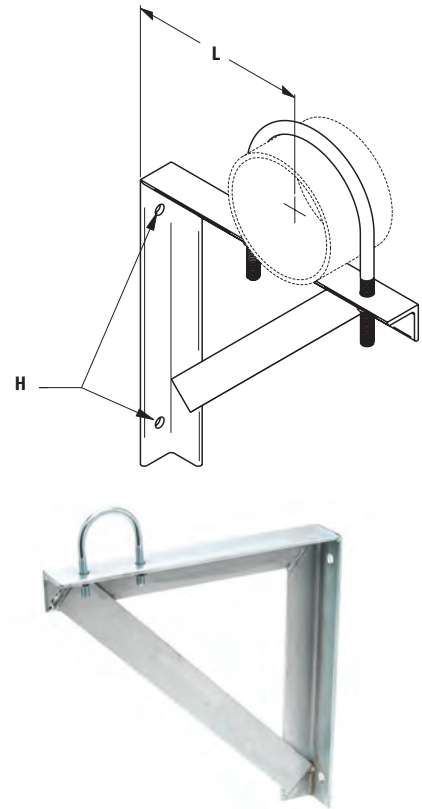
Finish: Plain or Electro-Galvanized. Contact customer service for alternative finishes and materials.

Note: Maximum "L" dimension 16" (406.4mm).

Order By: Figure number, pipe size, (**) "L" dimension and finish

Part No.	Pipe Size		Hole Size H		Max. Rec. Load ***	
	in.	(mm)	in.	(mm)	Lbs.	(kN)
B3069W-1/2-**	1/2"	(15)	9/16"	(14.3)	450	(2.00)
B3069W-3/4-**	3/4"	(20)	9/16"	(14.3)	450	(2.00)
B3069W-1-**	1"	(25)	9/16"	(14.3)	450	(2.00)
B3069W-1 1/4-**	1 1/4"	(32)	9/16"	(14.3)	450	(2.00)
B3069W-1 1/2-**	1 1/2"	(40)	9/16"	(14.3)	450	(2.00)
B3069W-2-**	2"	(50)	9/16"	(14.3)	450	(2.00)
B3069W-2 1/2-**	2 1/2"	(65)	9/16"	(14.3)	450	(2.00)
B3069W-3-**	3"	(80)	9/16"	(14.3)	450	(2.00)
B3069W-3 1/2-**	3 1/2"	(90)	9/16"	(14.3)	450	(2.00)
B3069W-4-**	4"	(100)	1 1/16"	(17.5)	450	(2.00)
B3069W-5-**	5"	(125)	1 1/16"	(17.5)	450	(2.00)
B3069W-6-**	6"	(150)	1 1/16"	(17.5)	450	(2.00)
B3069W-8-**	8"	(200)	1 1/16"	(17.5)	450	(2.00)

*** Load based on a safety factor of 5 and reduced by 250 lbs per NFPA.



** Length to be specified as shown on the drawing.

B3069E - "O" Bracket

Size Range: 1/2" (15mm) thru 8" (200mm) pipe

Material: Carbon Steel

Function: Recommended for suspending pipe outward from mounting surface.

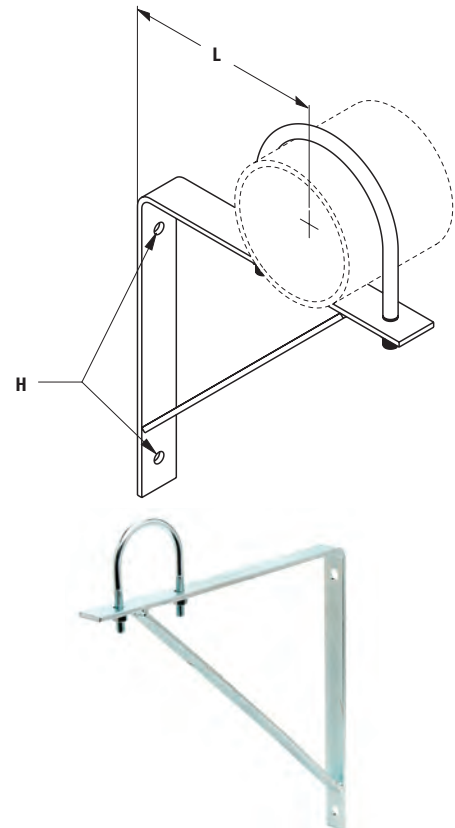
Finish: Plain or Electro-Galvanized. Contact customer service for alternative finishes and materials.

Note: Maximum "L" dimension 16" (406.4mm).

Order By: Figure number, pipe size, (**) "L" dimension and finish

Part No.	Pipe Size		Hole Size H		Max. Rec. Load ***	
	in.	(mm)	in.	(mm)	Lbs.	(kN)
B3069E-1/2-**	1/2"	(15)	9/16"	(14.3)	65	(0.29)
B3069E-3/4-**	3/4"	(20)	9/16"	(14.3)	65	(0.29)
B3069E-1-**	1"	(25)	9/16"	(14.3)	65	(0.29)
B3069E-1 1/4-**	1 1/4"	(32)	9/16"	(14.3)	65	(0.29)
B3069E-1 1/2-**	1 1/2"	(40)	9/16"	(14.3)	65	(0.29)
B3069E-2-**	2"	(50)	9/16"	(14.3)	65	(0.29)
B3069E-2 1/2-**	2 1/2"	(65)	9/16"	(14.3)	65	(0.29)
B3069E-3-**	3"	(80)	9/16"	(14.3)	65	(0.29)
B3069E-3 1/2-**	3 1/2"	(90)	9/16"	(14.3)	65	(0.29)
B3069E-4-**	4"	(100)	1 1/16"	(17.5)	65	(0.29)
B3069E-5-**	5"	(125)	1 1/16"	(17.5)	65	(0.29)
B3069E-6-**	6"	(150)	1 1/16"	(17.5)	65	(0.29)
B3069E-8-**	8"	(200)	1 1/16"	(17.5)	65	(0.29)

*** Load based on a safety factor of 5 and reduced by 250 lbs per NFPA.



** Length to be specified as shown on the drawing.

All dimensions in charts and on drawings are in inches. Dimensions shown in parentheses are in millimeters unless otherwise specified.

TOLCO Fig. 78 - all steel ceiling plate

Size Range: 3/8"-16 rod

Material: Pre-Galvanized Steel

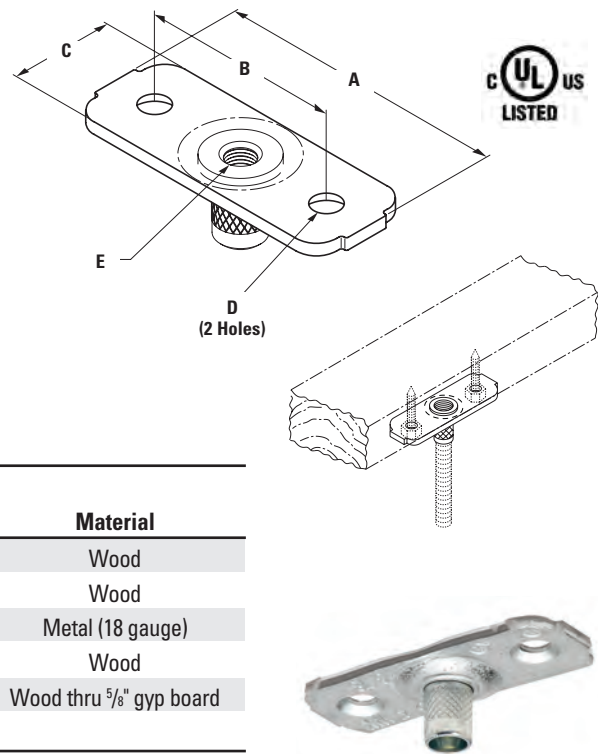
Function: Attachment to wood beams, ceilings, metal decks or walls. Can also be welded to steel beams.

Approvals: Underwriters Laboratories Listed in the USA (UL) and Canada (cUL). Additionally, UL has listed the Fig. 78 with fasteners as shown in the table below.

Finish: Plain or Electro-Galvanized. Contact customer service for alternative finishes and materials.

Order By: Figure number, rod size and finish

Patent #5,702,077



UL Listed Fastener Table			
Pipe Size	Qty	Fastener Type	Material
1/2" - 2"	2	#14 x 1 1/4" A-point hex-washer-head sheet metal screw	Wood
2 1/2" - 4"	2	1/4" x 1 1/2" wood screws*	Wood
1/2" - 2"	2	1/4" x 1" tek screws	Metal (18 gauge)
1/2" - 2"	2	#14 x 1 1/4" A-point hex-washer-head sheet metal screw	Wood
1/2" - 2"	2	#14 x 2" A-point-hex-washer-head sheet metal screw	Wood thru 5/8" gyp board

* No pre-drilling

Larger pipe sizes can be hung with reduced spacing.

Part No.	Pipe Size in. (mm)	A in. (mm)	B in. (mm)	C in. (mm)	Hole Dia. D in. (mm)	Thread Size E	Approx. Wt./100 Lbs. (kg)
78-3/8	1/2" - 2" (15 - 60)	3" (76.2)	2 1/8" (54.0)	1 1/8" (28.6)	5/16" (7.9)	3/8"-16	15 (6.8)

TOLCO Fig. 51 - side beam bracket for NFPA rod & fastener sizing

Size Range: 3/8"-16 thru 1/2"-13 rod, 1/2" (15mm) thru 8" pipe (200mm)

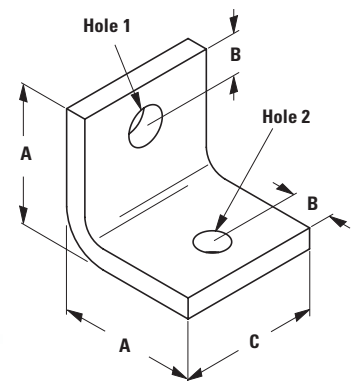
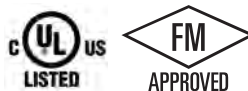
Material: Steel

Function: Recommended for attaching hanger rod to side of beams or walls. Designed to accommodate current rod schedule and fastener requirements per National Fire Protection Association (NFPA) Pamphlet 13.

Approvals: Underwriters Laboratories Listed in the USA (UL) and Canada (cUL), and Factory Mutual Engineering approved.

Finish: Plain or Electro-Galvanized. Contact customer service for alternative finishes and materials.

Order By: Figure number and finish



Part No.	Pipe Size in. (mm)	Rod Size	A in. (mm)	B in. (mm)	C in. (mm)	Hole 1 in. (mm)	Hole 2 in. (mm)	Approx. Wt./100 Lbs. (kg)
51NFPA-3/8x3/8	1/2" - 2" (15 - 60)	3/8"-16	2" (50.8)	3/4" (19.0)	2" (50.8)	7/16" (11.1)	7/16" (11.1)	35 (15.9)
51NFPA-3/8x1/2	2 1/2" - 4" (65 - 100)	3/8"-16	2" (50.8)	3/4" (19.0)	2" (50.8)	9/16" (14.3)	7/16" (11.1)	34 (15.4)
51NFPA-1/2x1/2	5" - 6" (125 - 150)	1/2"-13	2 1/2" (63.5)	3/4" (19.0)	2 1/2" (63.5)	9/16" (14.3)	9/16" (14.3)	71 (32.2)
51NFPA-1/2x5/8	8" (200)	1/2"-13	2 1/2" (63.5)	3/4" (19.0)	2 1/2" (63.5)	1 1/16" (17.5)	9/16" (14.3)	70 (31.7)

All dimensions in charts and on drawings are in inches. Dimensions shown in parentheses are in millimeters unless otherwise specified.

Upper Attachments

TOLCO Fig. 50 - side beam bracket

Size Range: 3/8"-16 thru 7/8"-9 rod

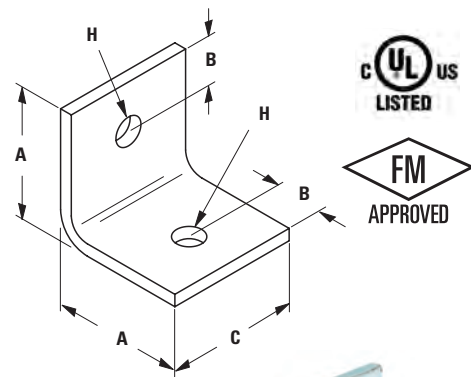
Material: Steel

Function: Recommended for attaching hanger rod to side of beams or walls.

Approvals: 3/8"-16 - Underwriters Laboratories Listed in the USA (UL) and Canada (cUL), and Factory Mutual Engineering (FM) approved.

Finish: Plain or Electro-Galvanized. Contact customer service for alternative finishes and materials.

Order By: Figure number, rod size and finish



Part No.	Rod Size	A in. (mm)	B in. (mm)	C in. (mm)	Hole Size H in. (mm)	Approx. Wt./100 Lbs. (kg)
50-3/8	3/8"-16	2" (50.8)	3/4" (19.0)	2" (50.8)	7/16" (11.1)	35 (15.9)
50-1/2	1/2"-13	2" (50.8)	3/4" (19.0)	2" (50.8)	9/16" (14.3)	35 (15.9)
50-5/8	5/8"-11	2" (50.8)	3/4" (19.0)	2" (50.8)	11/16" (17.5)	32 (14.5)
50-3/4	3/4"-10	2 1/2" (63.5)	3/4" (19.0)	2 1/2" (63.5)	13/16" (20.6)	110 (49.9)
50-7/8	7/8"-9	2 1/2" (63.5)	3/4" (19.0)	2 1/2" (63.5)	15/16" (23.8)	100 (45.3)

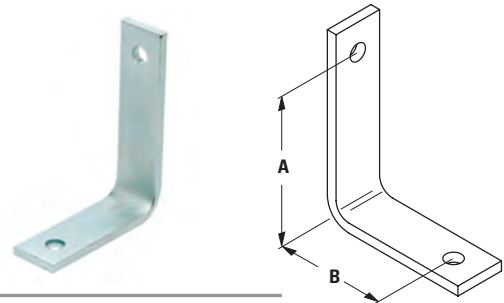
B3061 - Angle bracket

Material: Steel

Function: — Recommended for supporting pipe at various distances from wall or column.

Finish: Plain or Electro-Galvanized. Contact customer service for alternative finishes and materials.

Order By: Figure number and finish



Part No.	Size in.	A in. (mm)	B in. (mm)	Hole Size in. (mm)	Max. Rec. Load Lbs. (kN)	Approx. Wt./100 Lbs. (kg)
B3061-1	1	3" (76.2)	2" (50.8)	7/16" (11.1)	180 (0.80)	46 (20.8)
B3061-2	2	4" (101.6)	3" (76.1)	7/16" (11.1)	180 (0.80)	65 (29.5)
B3061-3	3	3" (76.2)	2" (50.8)	9/16" (14.3)	390 (1.73)	85 (38.5)
B3061-4	4	4" (101.6)	3" (76.1)	9/16" (14.3)	390 (1.73)	115 (52.1)

TOLCO Fig. 56 - tapped side beam connector (stainless steel)

Size Range: 1/2" (15mm) thru 4" (100mm) pipe (3/8"-16 rod)

Material: Stainless Steel Type 304 or 316

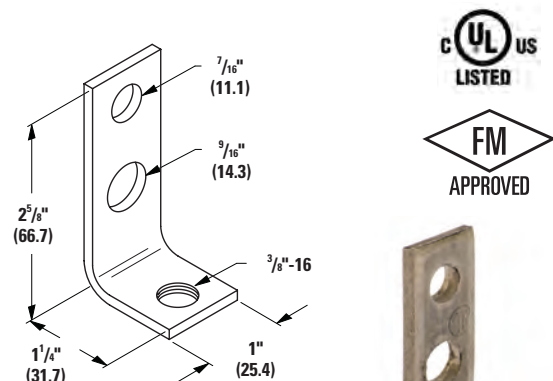
Function: Recommended for attaching hanger rod to steel or wood beams. Tapped hole allows easy adjustment of hanger rod.

Approvals: Underwriters Laboratories Listed in the USA (UL) and Canada (cUL), and Factory Mutual Engineering (FM) approved for 1/2" (15mm) thru 4" (100mm) pipe.

Order By: Figure number

Note: Available only in Stainless Steel materials.

Per NFPA 13: 1/2" (15mm) thru 2" (50mm) pipe use 3/8"-16 fastener;
2 1/2" (65mm) thru 4" (100mm) pipe, use 1/2"-13 fastener.



Part No.	Approx. Wt./100 Lbs. (kg)
56	20 (9.1)



All dimensions in charts and on drawings are in inches. Dimensions shown in parentheses are in millimeters unless otherwise specified.

TOLCO Fig. 58 - threaded side beam bracket

Size Range: 3/8"-16 rod, pipe sizes 1/2" (15mm) thru 4" (100mm)

Material: Pre-Galvanized Steel

Function: Practical and economical bracket used to support piping from wood, concrete or steel beams.

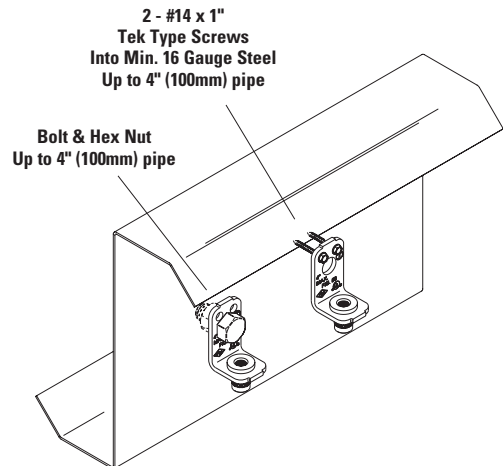
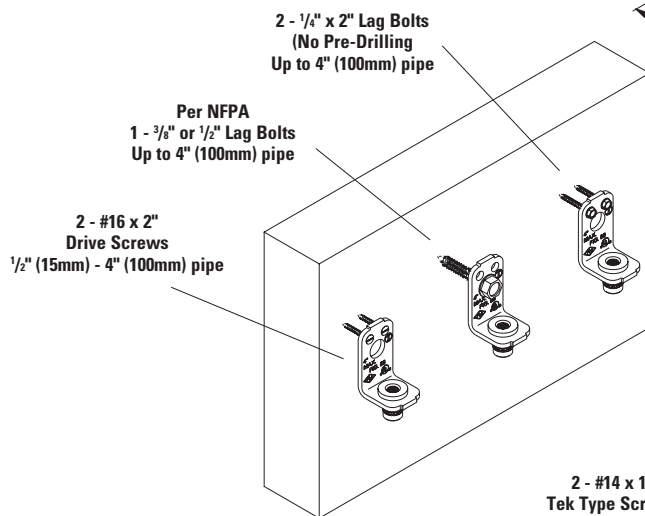
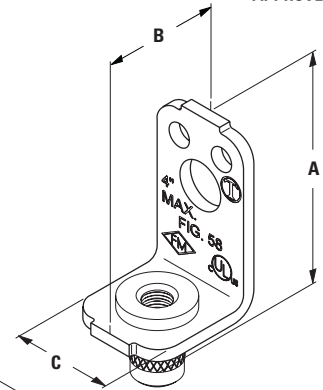
Features: Unique design allows rod to be easily threaded into bracket. Offset design permits unlimited rod adjustment. Center mounting hole will accept 3/8" and 1/2" fastener bolts. Per NFPA 13: 1/2" (15mm) thru 2" (50mm) pipe requires 3/8" fastener, 2 1/2" (65mm) thru 4" (100mm) pipe requires 1/2" fastener.*

Approvals: Underwriters Laboratories Listed in the USA (UL) and Canada (cUL), and Factory Mutual Engineering approved thru 4" (100mm) pipe.

Finish: Pre-Galvanized

Order By: Figure number and finish

***Note:** Additionally UL has listed the Fig. 58 with fasteners as shown in table below.



UL Listed Fastener Table			
Pipe Size	Qty	Fastener Type	Material
2"	2	#16 x 2" Drive screws	Wood
2"	1	3/8" Lag bolt	Wood
2 1/2" - 4"	1	1/2" Lag bolt	Wood
3 1/2"	2	1/4" x 1 1/2" Lag bolts	Wood
4"	2	1/4" x 2" Lag bolts **	Wood
4"	2	1/4" x 1" Tek screws	Metal (15 gauge)
4"	2	1/4" x 1" Tek screws	Metal (16 gauge)

** No pre-drilling

Larger pipe sizes can be hung with reduced spacing.

Part No.	Pipe Size		Rod Size	A		B		C		Approx. Wt./100 Lbs. (kg)
	in.	(mm)		in.	(mm)	in.	(mm)	in.	(mm)	
58	1/2" - 4"	(15 - 100)	3/8"-16	2 3/4"	(69.8)	1 1/2"	(38.1)	1 1/8"	(28.6)	14 (6.3)

All dimensions in charts and on drawings are in inches. Dimensions shown in parentheses are in millimeters unless otherwise specified.

Threaded Accessories

B3200 - Weldless Eye Nut

Size Range: 3/8"-16 thru 2 1/2"-4 1/2" machine thread.

Material: Forged Steel

Quality Assurance: Conforms to the requirements of NCA 3800.

Threads: Tapped UNC Class 2B. Right hand threads are standard. Left hand threads supplied upon request (B3200L).

Function: Used on piping installations where high strength and swivel action are required. Left hand tap is also available.

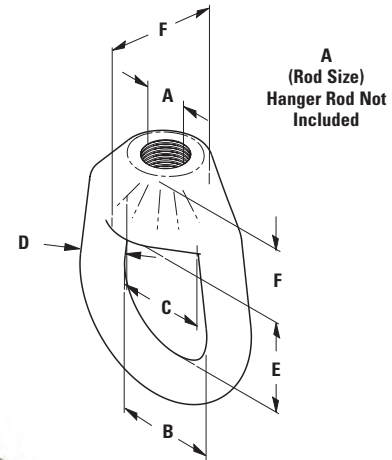
Approvals: **Approvals:** Included in our Seismic Engineering Guidelines approved by the State of California Office of Statewide Health Planning and Development (OSHPD). For additional load, spacing and placement information relating to OSHPD projects, please refer to our Seismic Engineering Guidelines, OPM-0052-13.

Conforms to Federal Specification WW-H-171E & A-A-1192A, Type 17 and Manufacturers Standardization Society ANSI/MSS SP-69 & SP-58, Type 17.

Finish: Plain. Contact customer service for alternative finishes and materials.

Order By: Figure number and finish.

OPM



Part No.	Rod Size	B		C		D		E		F		G	
	A	in.	(mm)	in.	(mm)	in.	(mm)	in.	(mm)	in.	(mm)	in.	(mm)
B3200-3/8	3/8"-16	1 1/2"	(38.1)	1 3/16"	(30.2)	1/2"	(12.7)	2"	(50.8)	1 3/8"	(34.9)	1 1/16"	(17.5)
B3200-1/2	1/2"-13	1 1/2"	(38.1)	1 3/16"	(30.2)	1/2"	(12.7)	2"	(50.8)	1 3/8"	(34.9)	1 1/16"	(17.5)
B3200-5/8	5/8"-11	1 1/2"	(38.1)	1 3/16"	(30.2)	1/2"	(12.7)	2"	(50.8)	1 3/8"	(34.9)	1 1/16"	(17.5)
B3200-3/4	3/4"-10	1 1/2"	(38.1)	1 3/16"	(30.2)	1/2"	(12.7)	2"	(50.8)	1 3/8"	(34.9)	1 1/16"	(17.5)
B3200-7/8	7/8"-9	2"	(50.8)	1 11/16"	(42.9)	3/4"	(19.0)	2 5/8"	(66.7)	1 15/16"	(49.2)	1"	(25.4)

Part No.	Design Load					
	650°F (343°C)		750°F (399°C)		Approx. Wt./100	
	Lbs.	(kN)	Lbs.	(kN)	Lbs.	(kg)
B3200-3/8	610	(2.71)	540	(2.40)	63	(28.6)
B3200-1/2	1130	(5.02)	1010	(4.49)	60	(27.2)
B3200-5/8	1810	(8.05)	1610	(7.16)	59	(26.7)
B3200-3/4	2710	(12.05)	2420	(10.76)	56	(25.4)
B3200-7/8	3770	(16.77)	3360	(14.94)	170	(77.1)

For larger sizes consult full line pipe hanger catalog.

B501 - Light weight u-bolt with 2 hex nuts

Size Range: Size 1/2" (15mm) thru 8" (200mm) pipe

Material: Carbon Steel

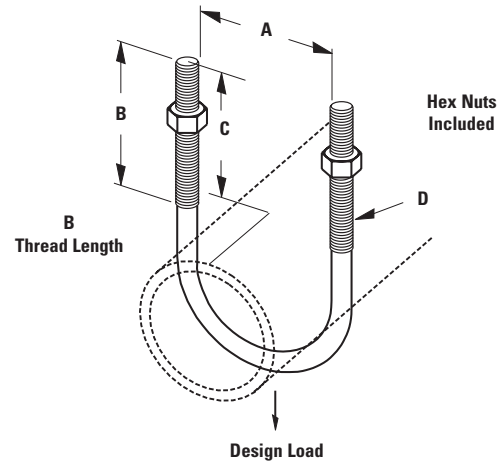
Function: Recommended for supporting or anchoring light pipe loads.

Maximum Temperature: 650°F (343°C)

Finish: Plain or Electro-Galvanized. Contact customer service for alternative finishes and materials.

Order By: Figure number and finish.

Note: When furnished in Hot-Dip Galvanized finish, oversize tapped hex nuts must be used.



Part No.	A		B		C		D	Design Load		Approx. Wt./100	
	in.	(mm)	in.	(mm)	in.	(mm)		Lbs.	(kN)	Lbs.	(kg)
B501-1/2	15/16"	(23.8)	1 3/4"	(44.4)	1 1/2"	(38.1)	5/16"-18	600	(2.67)	12	(5.4)
B501-3/4	1 1/8"	(28.6)	1 3/4"	(44.4)	1 5/8"	(41.3)	5/16"-18	600	(2.67)	13	(5.9)
B501-1	1 3/8"	(29.9)	1 7/8"	(47.6)	1 5/8"	(41.3)	5/16"-18	900	(4.00)	14	(6.3)
B501-1 1/4	1 23/32"	(43.6)	1 3/4"	(44.4)	1 15/32"	(37.3)	5/16"-18	900	(4.00)	15	(6.8)
B501-1 1/2	2"	(50.8)	1 3/4"	(44.4)	1 7/16"	(36.5)	5/16"-18	900	(4.00)	16	(7.2)
B501-2	2 7/16"	(61.9)	2 1/16"	(52.4)	1 7/8"	(47.6)	3/8"-16	1200	(5.34)	27	(12.2)
B501-2 1/2	2 15/16"	(74.6)	2 1/16"	(52.4)	1 13/16"	(46.0)	3/8"-16	1200	(5.34)	32	(14.5)
B501-3	3 9/16"	(90.5)	2"	(50.8)	1 3/4"	(44.4)	3/8"-16	1800	(8.00)	36	(16.3)
B501-3 1/2	4 3/32"	(94.6)	2"	(50.8)	1 23/32"	(43.6)	3/8"-16	1800	(8.00)	38	(17.2)
B501-4	4 19/32"	(116.7)	2 1/4"	(57.1)	1 21/32"	(50.0)	3/8"-16	1800	(8.00)	42	(19.0)
B501-5	5 21/32"	(143.6)	2 1/4"	(57.1)	2"	(50.8)	1/2"-13	2400	(10.70)	92	(41.7)
B501-6	6 3/4"	(171.4)	2 5/8"	(66.7)	2 3/8"	(60.3)	5/8"-11	2400	(10.70)	176	(79.8)
B501-8	8 3/4"	(222.2)	2 5/8"	(66.7)	2 3/8"	(60.3)	5/8"-11	2400	(10.70)	191	(86.6)

All dimensions in charts and on drawings are in inches. Dimensions shown in parentheses are in millimeters unless otherwise specified.

Threaded Accessories

B3188 - Standard U-bolt with 4 hex nuts B3188C - Standard plastic coated U-bolt

Size Range: Size 1/2" (15mm) thru 30" (900mm) pipe

Material: Steel

Function: Recommended for support, anchor or guide of pipe.

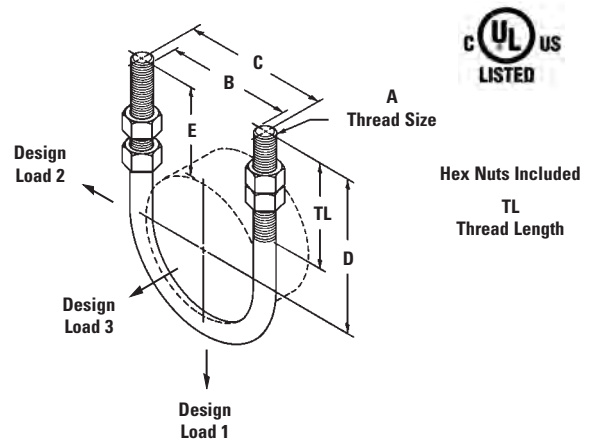
Approvals: Underwriters Laboratories Listed 3/4" (20mm) thru 12" (300mm). Conforms to Federal Specification WW-H-171E & A-A-1192A, Type 24 and Manufacturers Standardization Society ANSI/MSS SP-69 & SP-58, Type 24.

Maximum Temperature: 750°F (399°C)

Finish: Plain or Electro-Galvanized. Contact customer service for alternative finishes and materials.

Order By: Figure number and finish. U-bolt can be furnished with longer tangents "D" or with longer threads "E". Consult factory.

Note: When furnished in Hot-Dip Galvanized finish, oversize tapped hex nuts must be used. B3188NS - Non-standard (NS) U-bolts are available upon request. Specify dimensions other than standard. B3188DI - For ductile iron pipe.



Part No.	Pipe Size		Thread Size	Thread Length TL		B	
	in.	(mm)		in.	(mm)	in.	(mm)
B3188-1/2	1/2"	(15)	1/4"-20	2 1/8"	(54.0)	15/16"	(23.8)
B3188-3/4	3/4"	(20)	1/4"-20	2 1/8"	(54.0)	1 1/8"	(28.6)
B3188-1	1"	(25)	1/4"-20	2 1/8"	(54.0)	1 3/8"	(34.9)
B3188-1 1/4	1 1/4"	(32)	3/8"-16	2 1/8"	(54.0)	1 11/16"	(42.9)
B3188-1 1/2	1 1/2"	(40)	3/8"-16	2 1/2"	(63.5)	2"	(50.8)
B3188-2	2"	(50)	3/8"-16	2 1/2"	(63.5)	2 7/16"	(61.9)
B3188-2 1/2	2 1/2"	(65)	1/2"-13	3"	(76.2)	2 15/16"	(74.6)
B3188-3	3"	(80)	1/2"-13	3"	(76.2)	3 9/16"	(90.5)
B3188-3 1/2	3 1/2"	(90)	1/2"-13	3"	(76.2)	4 1/16"	(103.2)
B3188-4	4"	(100)	1/2"-13	3"	(76.2)	4 9/16"	(115.9)
B3188-5	5"	(125)	1/2"-13	3"	(76.2)	5 21/32"	(143.6)
B3188-6	6"	(150)	5/8"-11	3 3/4"	(95.2)	6 3/4"	(171.4)
B3188-8	8"	(200)	5/8"-11	3 3/4"	(95.2)	8 3/4"	(222.2)
B3188-10	10"	(250)	3/4"-10	4"	(101.6)	10 7/8"	(276.2)
B3188-12	12"	(300)	7/8"-9	4 1/4"	(107.9)	12 7/8"	(327.0)
B3188-14	14"	(350)	7/8"-9	4 1/4"	(107.9)	14 1/8"	(358.8)

For larger sizes consult full line pipe hanger catalog.

All dimensions in charts and on drawings are in inches. Dimensions shown in parentheses are in millimeters unless otherwise specified.

B3188 - Standard U-Bolt with 4 Hex Nuts cont'd.

Part No.	C		Tangent D		E		Approx. Wt./100	
	in.	(mm)	in.	(mm)	in.	(mm)	Lbs.	(kg)
B3188-1/2	1 ³ / ₁₆ "	(30.2)	2 ³ / ₄ "	(69.8)	2 ⁵ / ₁₆ "	(58.7)	10	(4.5)
B3188-3/4	1 ³ / ₈ "	(34.9)	2 ³ / ₄ "	(69.8)	2 ⁷ / ₃₂ "	(56.3)	11	(5.0)
B3188-1	1 ⁵ / ₈ "	(41.3)	2 ³ / ₄ "	(69.8)	2 ³ / ₃₂ "	(53.2)	11	(5.0)
B3188-1 ¹ / ₄	2 ³ / ₃₂ "	(53.2)	2 ⁷ / ₈ "	(73.0)	2 ¹ / ₃₂ "	(51.6)	28	(12.7)
B3188-1 ¹ / ₂	2 ³ / ₈ "	(60.3)	3"	(76.2)	2 ¹ / ₁₆ "	(52.4)	29	(13.1)
B3188-2	2 ¹³ / ₁₆ "	(71.4)	3 ¹ / ₄ "	(82.5)	2 ¹ / ₁₆ "	(52.4)	31	(14.0)
B3188-2 ¹ / ₂	3 ⁷ / ₁₆ "	(87.3)	3 ³ / ₄ "	(95.2)	2 ⁵ / ₁₆ "	(58.7)	72	(32.6)
B3188-3	4 ¹ / ₁₆ "	(103.2)	4"	(101.6)	2 ¹ / ₄ "	(57.1)	79	(35.8)
B3188-3 ¹ / ₂	4 ⁹ / ₁₆ "	(115.9)	4 ¹ / ₄ "	(107.9)	2 ¹ / ₄ "	(57.1)	84	(38.1)
B3188-4	5 ¹ / ₁₆ "	(128.6)	4 ¹ / ₂ "	(114.3)	2 ¹ / ₄ "	(57.1)	94	(42.6)
B3188-5	6 ⁵ / ₃₂ "	(156.3)	5"	(127.0)	2 ⁷ / ₃₂ "	(56.3)	104	(47.2)
B3188-6	7 ³ / ₈ "	(187.3)	6 ¹ / ₈ "	(155.6)	2 ¹³ / ₁₆ "	(71.4)	203	(92.1)
B3188-8	9 ³ / ₈ "	(238.1)	7 ¹ / ₈ "	(181.0)	2 ¹³ / ₁₆ "	(71.4)	241	(109.3)
B3188-10	11 ⁵ / ₈ "	(295.3)	8 ³ / ₈ "	(212.7)	3 ¹ / ₄ "	(82.5)	412	(186.9)
B3188-12	13 ³ / ₄ "	(349.2)	9 ⁵ / ₈ "	(244.5)	3 ¹ / ₄ "	(82.5)	661	(299.8)
B3188-14	15"	(381.0)	10 ¹ / ₄ "	(260.3)	3"	(76.2)	707	(320.7)

Part No.	Design Load 1		Design Load 2		Design Load 3	
	650°F (343°C) Lbs. (kN)	750°F (399°C) Lbs. (kN)	650°F (343°C) Lbs. (kN)	650°F (343°C) Lbs. (kN)	650°F (343°C) Lbs. (kN)	650°F (343°C) Lbs. (kN)
B3188-1/2	580 (2.58)	454 (2.02)	145 (0.64)	180 (0.80)	180 (0.80)	300 (1.33)
B3188-3/4	580 (2.58)	454 (2.02)	145 (0.64)	480 (2.13)	480 (2.13)	600 (2.67)
B3188-1	580 (2.58)	454 (2.02)	145 (0.64)	600 (2.67)	600 (2.67)	720 (3.20)
B3188-1 ¹ / ₄	1460 (6.49)	1144 (5.09)	365 (1.62)	720 (3.20)	720 (3.20)	900 (4.00)
B3188-1 ¹ / ₂	1460 (6.49)	1144 (5.09)	365 (1.62)	900 (4.00)	900 (4.00)	1080 (4.80)
B3188-2	1460 (6.49)	1144 (5.09)	365 (1.62)	1080 (4.80)	1080 (4.80)	—
B3188-2 ¹ / ₂	2700 (12.01)	2114 (9.40)	675 (3.00)	—	—	—
B3188-3	2700 (12.01)	2114 (9.40)	675 (3.00)	—	—	—
B3188-3 ¹ / ₂	2700 (12.01)	2114 (9.40)	675 (3.00)	—	—	—
B3188-4	2700 (12.01)	2114 (9.40)	675 (3.00)	—	—	—
B3188-5	2700 (12.01)	2114 (9.40)	675 (3.00)	—	—	—
B3188-6	4320 (19.21)	3382 (15.04)	1080 (4.80)	—	—	—
B3188-8	4320 (19.21)	3382 (15.04)	1080 (4.80)	—	—	—
B3188-10	6460 (28.73)	5060 (22.50)	1615 (7.18)	—	—	—
B3188-12	9960 (44.30)	7016 (31.21)	2490 (11.07)	—	—	—
B3188-14	9960 (44.30)	7016 (31.21)	2490 (11.07)	—	—	—

For larger sizes consult full line pipe hanger catalog.

All dimensions in charts and on drawings are in inches. Dimensions shown in parentheses are in millimeters unless otherwise specified.

Threaded Accessories

B3205 - Threaded rod (right-hand threads - both ends)

B3205L - Threaded rod (right & left hand threads)

Size Range: 3/8"-16 thru 7/8"-9 rod

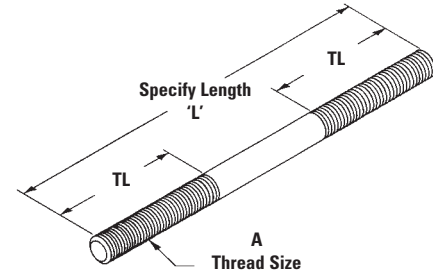
Material: Steel

Function: Recommended for use as a hanger support in hanger assemblies. Rod is threaded on both ends with right hand threads of the length shown. Also available with left and right hand threads - specify Fig. B3205L when ordering.

Maximum Temperature: 750°F (399°C)

Finish: Plain or Electro-Galvanized. Contact customer service for alternative finishes and materials.

Order By: Figure number, rod size, length and finish



Part No.	Thread Size A	Standard Thread Length TL in. (mm)	Design Load	
			650°F (343°C) Lbs. (kN)	750°F (399°C) Lbs. (kN)
B3205-3/8 x 'L'	3/8"-16	2 1/2" (63.5)	730 (3.25)	572 (2.54)
B3205-1/2 x 'L'	1/2"-13	2 1/2" (63.5)	1350 (6.00)	1057 (4.70)
B3205-5/8 x 'L'	5/8"-11	2 1/2" (63.5)	2160 (9.61)	1692 (7.52)
B3205-3/4 x 'L'	3/4"-10	3" (76.2)	3230 (14.37)	2530 (11.25)
B3205-7/8 x 'L'	7/8"-9	3 1/2" (88.9)	4480 (19.93)	3508 (15.60)

For larger sizes consult full line pipe hanger catalog.

ATR - All threaded rod - 120" (3.05m) lengths TOLCO Fig. 99 - all threaded rod cut to length

Size Range: 1/4"-20 thru 7/8"-9 rod in 120" lengths or cut to length

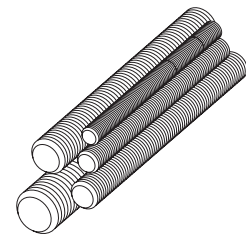
Material: Steel

Maximum Temperature: 750°F (399°C)

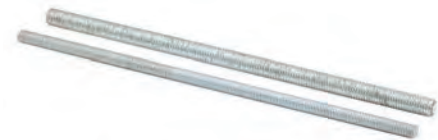
Finish: Plain or Electro-Galvanized. Contact customer service for alternative finishes and materials.

Approvals: Included in our Seismic Engineering Guidelines approved by the State of California Office of Statewide Health Planning and Development (OSHPD). For additional load, spacing and placement information relating to OSHPD projects, please refer to our Seismic Engineering Guidelines, OPM-0052-13.

Order By: Figure number, rod size, length and finish



OPM



Part No. - Size x Length		Threads Per Inch	Recommended Load		Approx. Wt./100 Ft.	
ATR	Fig. 99		Lbs.	(kN)	Lbs.	(kg)
ATR 1/4" x 120	99-1/4" x length	20	240	(1.07)	12	(5.44)
ATR 3/8" x 120	99-3/8" x length	16	730	(3.24)	29	(13.15)
ATR 1/2" x 120	99-1/2" x length	13	1350	(6.00)	53	(24.04)
ATR 5/8" x 120	99-5/8" x length	11	2160	(9.60)	89	(40.37)
ATR 3/4" x 120	99-3/4" x length	10	3230	(14.37)	123	(55.79)
ATR 7/8" x 120	99-7/8" x length	9	4480	(19.93)	170	(77.11)

For larger sizes consult full line pipe hanger catalog.

All dimensions in charts and on drawings are in inches. Dimensions shown in parentheses are in millimeters unless otherwise specified.

B3213 - Coach screw rod

Size Range: 3/8"-16 rod thru 1/2"-13 rod

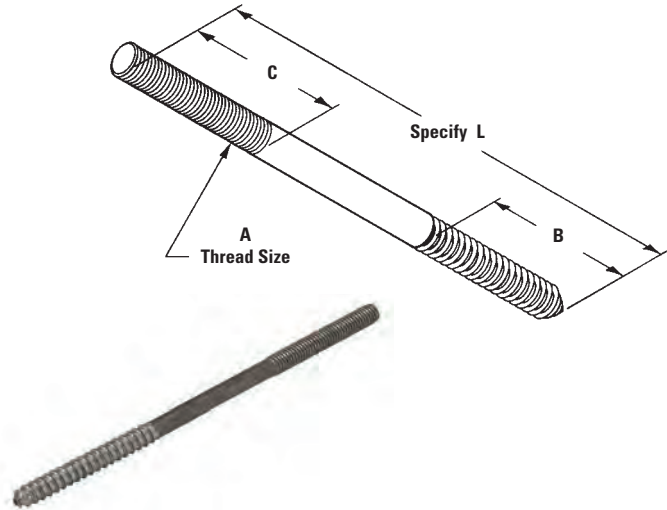
Material: Steel

Function: Typically used to suspend pipe from wood joists. Machine threaded on one end and lag threaded on the other end. It is recommended that pilot holes be pre-drilled to prevent beam from splitting and to aid in starting lag threads.

Approvals: Conforms to the requirements of NFPA13.

Finish: Plain. Contact customer service for alternative finishes and materials.

Order By: Figure number, rod size, length and finish



Part No.	Thread Size A	Standard Rod Lengths L in. (mm)	Coach Screw Thread Length B in. (mm)	Rod Thread Length C in. (mm)	Design Load Lbs. (kg)
B3213-3/8 x 'L'	3/8"-16	*3 1/2", 8" (88.9, 203.2)	2" (50.8)	2" (50.8)	390 (1.73)
B3213-1/2 x 'L'	1/2"-13	*3 1/2", 8" (88.9, 203.2)	2 1/2" (63.5)	2 1/2" (63.5)	640 (2.84)

*3/8 x 3 1/2 and 1/2 x 3 1/2 will have a coach screw thread length of 2" (50.8) and a rod thread length of 1" (25.4). Design Load is based on proper installation and solid wood.

B3214 - Tie bolt

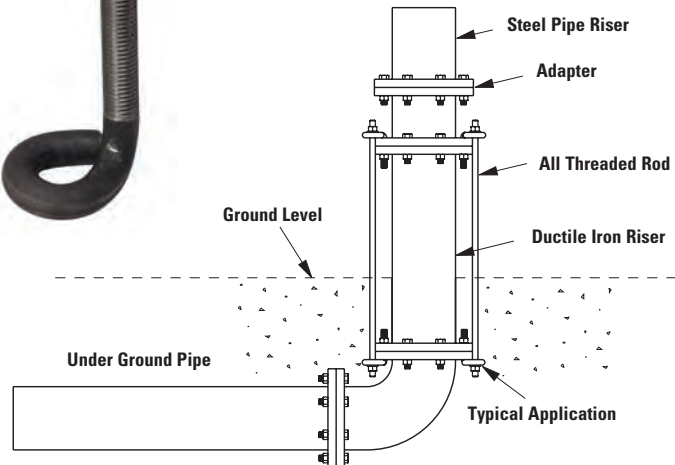
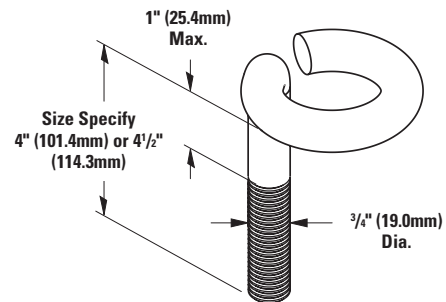
Material: Steel

Function: Recommended for securing the connection of steel pipe to ductile pipe first attach tie bolts to pipe flanges then connect tie rods. May be used in vertical or horizontal applications.

Approvals: As shown in NFPA Pamphlet 24, Installation of Private Fire Service Maintenance 4" (100mm) - 12" (300mm) pipe size.

Finish: Plain. Contact customer service for alternative finishes and materials.

Order By: Figure number, length and finish. Custom lengths for thicker flange available.



Part No.	Length in. (mm)	Approx. Wt./100 Lbs. (kg)
B3214-4	4" (101.6)	107.5 (48.5)
B3214-4 1/2	4 1/2" (114.3)	113.7 (51.6)

All dimensions in charts and on drawings are in inches. Dimensions shown in parentheses are in millimeters unless otherwise specified.

Threaded Accessories

B3212 - J-bolt

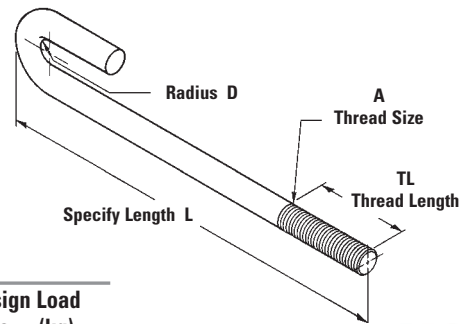
Size Range: 3/8"-16 thru 7/8"-19 rod

Material: Steel

Function: Designed to be hooked or hung from beam flange or purlin.

Finish: Plain or Electro-Galvanized. Contact customer service for alternative finishes and materials.

Order By: Figure number, length and finish



Part No.	Thread Size A	Thread Length TL in. (mm)	Radius D in. (mm)	Design Load Lbs. (kg)
B3212-3/8 x 'L'	3/8"-16	2" (50.8)	1/2" (12.7)	240 (1.07)
B3212-1/2 x 'L'	1/2"-13	2" (50.8)	5/8" (15.9)	440 (1.96)
B3212-5/8 x 'L'	5/8"-11	2 1/2" (63.5)	3/4" (19.0)	705 (3.13)
B3212-3/4 x 'L'	3/4"-10	2 1/2" (63.5)	7/8" (22.2)	1050 (4.67)
B3212-7/8 x 'L'	7/8"-9	2 1/2" (63.5)	1" (25.4)	1470 (6.54)



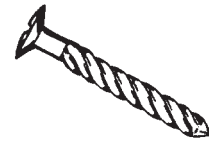
DS 16 x 2 - Drive screw

Material: Steel

Function: Equivalent to a nail, but has greater holding power

Finish: Plain and Electro-Galvanized

Order By: Figure number and finish



B3228 - Hex head lag bolt

Material: Steel

Function: Designed to fasten metal to wood. Lag screws are made with hex heads in lengths of 6" (152.5mm) or shorter and square heads in lengths longer than 6" (152.5mm). Both types have coarse lag threads and gimlet points and are available in diameters of 1/4"(6.3mm) to 5/8"(15.9mm) inclusive. Square-head lag screws are also available in 3/4"(19.0mm), 7/8"(22.2mm) and 1"(25.4mm) diameters.

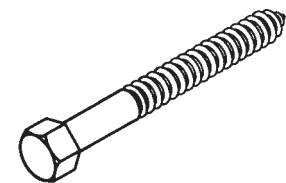
Approvals: Qualified for static, wind, and seismic loading in concrete. Included in our Seismic Engineering Guidelines approved by the State of California Office of Statewide Health Planning and Development (OSHPD). For additional load, spacing and placement information relating to OSHPD projects, please refer to our Seismic Engineering Guidelines, OPM-0052-13.

Finish: Plain or Electro-Galvanized. Contact customer service for alternative finishes and materials.

Order By: Figure number, bolt size, length and finish

OPM

Length 1/4"	Bolt Diameter and Wt./C									
	(6.3)	3/8"	(9.5)	1/2"	(12.7)	5/8"	(15.9)	3/4"	(19.0)	
1 1/2" (38.1)	2.3	(1.0)	6.0	(2.7)	11.8	(5.3)	19.4	(8.8)	32.3	(14.6)
2" (50.8)	2.8	(1.3)	7.0	(3.2)	14.4	(6.5)	23.2	(10.5)	38.3	(17.4)
2 1/2" (63.5)	3.3	(1.5)	8.3	(3.7)	16.2	(7.3)	27.0	(12.2)	44.0	(19.9)
3" (76.2)	3.9	(1.7)	9.8	(4.4)	18.6	(8.4)	31.0	(14.0)	47.7	(21.6)
3 1/2" (88.9)	4.4	(2.0)	11.4	(5.2)	21.2	(9.6)	34.8	(15.8)	56.3	(25.5)
4" (101.6)	5.0	(2.2)	12.5	(5.7)	23.3	(10.5)	37.6	(17.0)	58.5	(26.5)
4 1/2" (114.3)	5.7	(2.6)	14.0	(6.3)	26.1	(11.8)	42.6	(19.3)	64.0	(29.0)
5" (127.0)	6.3	(2.8)	15.4	(7.0)	29.0	(13.1)	45.5	(20.6)	68.0	(30.8)
5 1/2" (139.7)	7.0	(3.2)	16.4	(7.4)	31.5	(14.3)	49.3	(22.3)	74.0	(33.5)
6" (152.4)	7.4	(3.3)	18.3	(8.3)	34.0	(15.4)	53.0	(24.0)	77.0	(34.9)



All dimensions in charts and on drawings are in inches. Dimensions shown in parentheses are in millimeters unless otherwise specified.

B655 - Steel rod coupling B656 - Steel reducing rod coupling

OPM

Size Range: 1/4"-20 thru 1"-8 rod

Material: Steel

Function: Used for coupling two threaded rods together of equal or reduced rod sizes, with or without inspection hole.

Approvals: Qualified for static, wind, and seismic loading in concrete. Included in our Seismic Engineering Guidelines approved by the State of California Office of Statewide Health Planning and Development (**OSHPD**). For additional load, spacing and placement information relating to OSHPD projects, please refer to our Seismic Engineering Guidelines, OPM-0052-13.

Finish: Electro-Galvanized. Contact customer service for alternative finishes and materials.

Order By: Figure number and finish

Part No.	For Rod Size	Length in. (mm)	Design Load Lbs. (kN)	Approx. Wt./100 Lbs. (kg)
B655-1/4	1/4"-20	7/8" (22.2)	300 (1.33)	1.9 (0.86)
B655-3/8	3/8"-16	1 1/8" (28.6)	730 (3.25)	3.6 (1.63)
B655-1/2	1/2"-13	1 3/4" (44.4)	1350 (6.00)	11.3 (5.12)
B655-5/8	5/8"-11	2 1/8" (54.0)	2160 (9.61)	17.6 (7.98)
B655-3/4	3/4"-10	2 1/4" (57.1)	3230 (14.37)	28.1 (12.74)
B655-7/8	7/8"-9	2 1/2" (63.5)	4480 (19.93)	57.2 (25.94)
B655-1	1"-8	2 3/4" (69.8)	5900 (26.24)	73.7 (33.43)



B655



Part No.	For Rod Size	Length in. (mm)	Design Load Lbs. (kN)	Approx. Wt./100 Lbs. (kg)
B656-3/8 x 1/4	3/8"-16 & 1/4"-20	1" (25.4)	300 (1.33)	3.7 (1.68)
B656-1/2 x 3/8	1/2"-13 & 3/8"-16	1 1/4" (31.7)	730 (3.25)	6.6 (2.99)
B656-5/8 x 1/2	5/8"-11 & 1/2"-13	1 1/4" (31.7)	1350 (6.00)	11.6 (5.26)
B656-3/4 x 5/8	3/4"-10 & 5/8"-11	1 1/2" (38.1)	2160 (9.61)	20.6 (9.34)
B656-7/8 x 3/4	7/8"-9 & 3/4"-10	1 3/4" (44.4)	3230 (14.37)	39.4 (17.87)



B656



B3220 - Malleable iron rod coupling

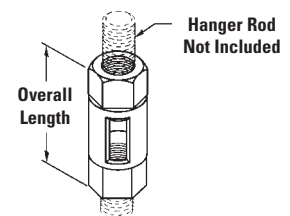
Size Range: 1/4"-20 thru 1"-8 rod

Material: Malleable Iron

Function: Used for coupling two threaded rods together of equal rod sizes, with inspection hole.

Finish: Electro-Galvanized. Contact customer service for alternative finishes and materials.

Order By: Figure number and finish



Part No.	For Rod Size	Overall Length in. (mm)	Design Load Lbs. (kN)	Approx. Wt./100 Lbs. (kg)
B3220-1/4	1/4"-20	1 3/8" (34.9)	300 (1.33)	6 (2.7)
B3220-3/8 x 1/4	3/8"-16 to 1/4"-20	1 5/8" (41.3)	300 (1.33)	11 (5.0)
B3220-3/8	3/8"-16	1 5/8" (41.3)	730 (3.25)	10 (4.5)
B3220-1/2 x 3/8	1/2"-13 to 3/8"-16	2 1/8" (54.0)	730 (3.25)	20 (9.1)
B3220-1/2	1/2"-13	2 1/8" (54.0)	1350 (6.00)	20 (9.1)
B3220-5/8	5/8"-11	2 1/2" (63.5)	2160 (9.61)	32 (14.5)
B3220-3/4	3/4"-10	2 5/8" (66.7)	3230 (14.37)	42 (19.0)
B3220-7/8	7/8"-9	3 1/16" (55.6)	4480 (19.93)	91 (41.3)
B3220-1	1"-8	2 3/4" (69.8)	5900 (26.24)	100 (45.3)



All dimensions in charts and on drawings are in inches. Dimensions shown in parentheses are in millimeters unless otherwise specified.

Threaded Accessories

B3210 - Eye rod (right-hand threads)

B3210L - Eye rod (left & right hand threads)

B3211 - Welded eye rod (right-hand threads)

B3211L - Welded eye rod (left & right hand threads)

Size Range: 3/8"-16 thru 7/8"-9 rod

Material: Steel

Function: Designed for use as support hanger rod that may be attached directly to structure or to other pipe support product. The welded eye allows for heavier loads.

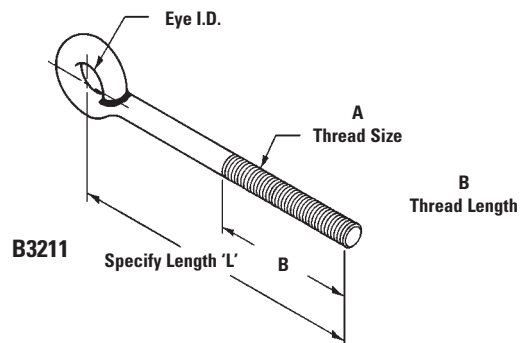
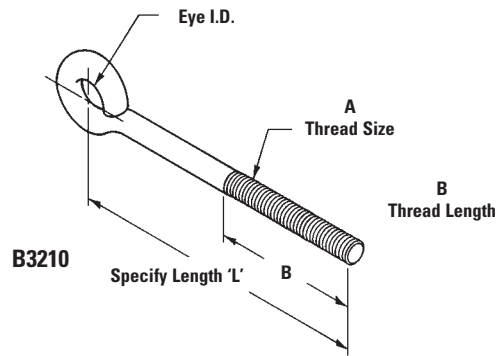
Approvals: Conforms to the requirements of NFPA13.

Finish: Plain. Contact customer service for alternative finishes and materials.

Order By: Figure number, rod size, length and finish

Important Note: The Eye I.D. dimension may be larger if needed.

Contact B-line if larger Eye I.D. dimension is required.



Part No.	Thread Size A	Thread Length B in. (mm)	Eye I.D. in. (mm)	Design Load			
				B3210 650°F (343°C) Lbs. (kN)	B3211 650°F (343°C) Lbs. (kN)	B3211 750°F (399°C) Lbs. (kN)	
B3210-3/8 x 'L'	B3211-3/8 x 'L'	3/8"-16	2 1/2" (63.5)	1/2" (12.7)	240 (1.07)	730 (3.25)	572 (2.54)
B3210-1/2 x 'L'	B3211-1/2 x 'L'	1/2"-13	2 1/2" (63.5)	5/8" (15.9)	440 (1.96)	1350 (6.00)	1057 (4.70)
B3210-5/8 x 'L'	B3211-5/8 x 'L'	5/8"-11	2 1/2" (63.5)	3/4" (19.0)	705 (3.13)	2160 (9.61)	1692 (7.52)
B3210-3/4 x 'L'	B3211-3/4 x 'L'	3/4"-10	3" (76.2)	7/8" (22.2)	1050 (4.67)	3230 (14.37)	2530 (11.25)
B3210-7/8 x 'L'	B3211-7/8 x 'L'	7/8"-9	3 1/2" (88.9)	1" (25.4)	1470 (6.54)	4480 (19.93)	3508 (15.60)

For larger sizes consult full line pipe hanger catalog.

All dimensions in charts and on drawings are in inches. Dimensions shown in parentheses are in millimeters unless otherwise specified.

B3210X - Linked eye rods (right-hand threads-both ends)

B3210XL - Linked eye rods (left & right threads)

B3211X - Linked welded eye rods (right-hand threads-both ends)

B3211XL - Linked welded eye rods (left & right threads)

Size Range: 3/8"-16 thru 7/8"-9 rod

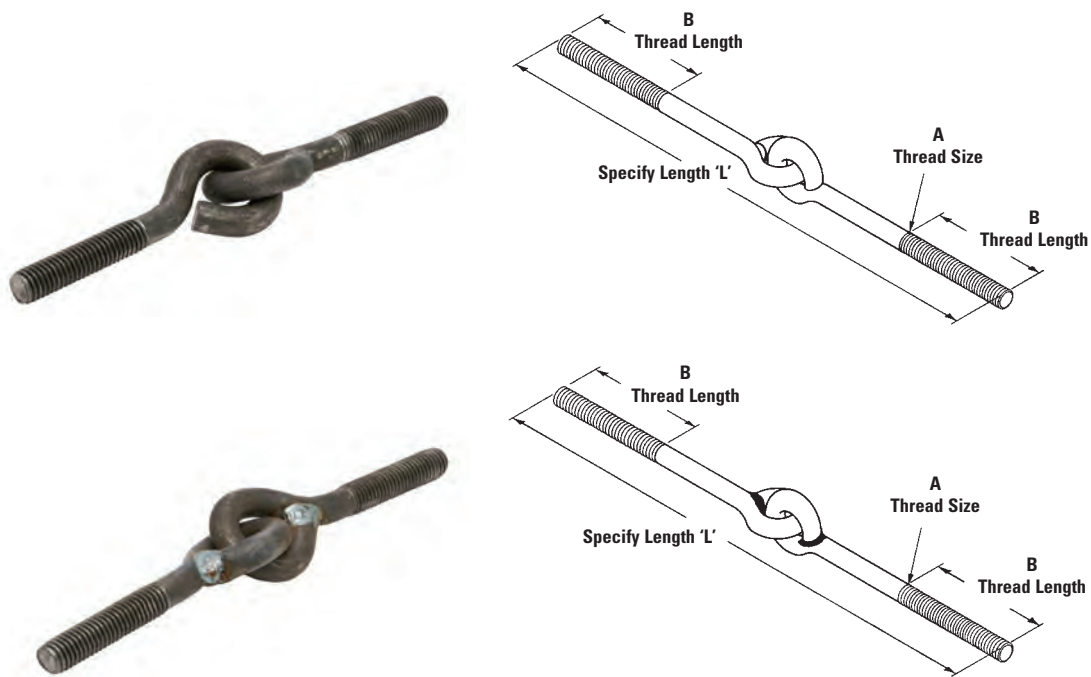
Material: Steel

Function: Designed for use in a hanger assembly where universal movement is necessary. The welded eye rods allow for heavier loads.

Approvals: Conforms to the requirements of NFPA13.

Finish: Plain. Contact customer service for alternative finishes and materials.

Order By: Figure number, rod size, length, and finish.



Part No.	Thread Size A	Thread Length B in. (mm)	Eye I.D. in. (mm)	Design Load		
				B3210 650°F (343°C) Lbs. (kN)	B3211 650°F (343°C) Lbs. (kN)	B3211 750°F (399°C) Lbs. (kN)
B3210X-3/8 x L' B3211X-3/8 x L'	3/8"-16	2 1/2" (63.5)	1/2" (12.7)	240 (1.07)	730 (3.25)	572 (2.54)
B3210X-1/2 x L' B3211X-1/2 x L'	1/2"-13	2 1/2" (63.5)	5/8" (15.9)	440 (1.96)	1350 (6.00)	1057 (4.70)
B3210X-5/8 x L' B3211X-5/8 x L'	5/8"-11	2 1/2" (63.5)	3/4" (19.0)	705 (3.13)	2160 (9.61)	1692 (7.52)
B3210X-3/4 x L' B3211X-3/4 x L'	3/4"-10	3" (76.2)	7/8" (22.2)	1050 (4.67)	3230 (14.37)	2530 (11.25)
B3210X-7/8 x L' B3211X-7/8 x L'	7/8"-9	3 1/2" (88.9)	1" (25.4)	1470 (6.54)	4480 (19.93)	3508 (15.60)

For larger sizes consult full line pipe hanger catalog.

All dimensions in charts and on drawings are in inches. Dimensions shown in parentheses are in millimeters unless otherwise specified.

Threaded Accessories

B3248 - Steel washer plate

Size Range: 3/8" thru 1" rod sizes

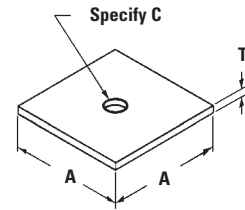
Material: Steel

Function: Heavy duty washer for use on top of channels or angles to support hanger rod.

Finish: Plain. Contact customer service for alternative finishes and materials.

Order By: Figure number size and finish

Part No.	Rod Size C	A		T		Approx. Wt./100	
		in.	(mm)	in.	(mm)	Lbs.	(kg)
B3248-3/8	3/8"-16	2"	(50.8)	1/4"	(6.3)	27	(12.2)
B3248-1/2	1/2"-13	2"	(50.8)	1/4"	(6.3)	27	(12.2)
B3248-5/8	5/8"-11	2 1/2"	(63.5)	1/4"	(6.3)	47	(21.3)
B3248-3/4	3/4"-10	2 1/2"	(63.5)	3/8"	(9.5)	52	(23.6)
B3248-7/8	7/8"-9	3"	(76.2)	3/8"	(9.5)	85	(38.5)
B3248-1	1"-8	4"	(101.6)	3/8"	(9.5)	160	(72.6)



B200 - Series square washer

Material: Steel

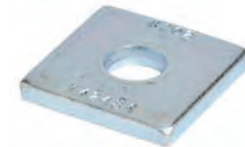
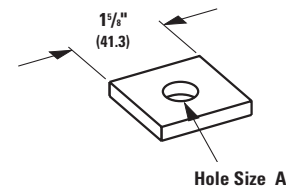
Standard Finish: Electro-Galvanized

Service: Designed as a washer to suspend hanger rods.

Approvals: Qualified for static, wind, and seismic loading in concrete. Included in our Seismic Engineering Guidelines approved by the State of California Office of Statewide Health Planning and Development (OSHPD). For additional load, spacing and placement information relating to OSHPD projects, please refer to our Seismic Engineering Guidelines, OPM-0052-13.

Order by: Figure number and finish.

Part No.	Hole Size A		Bolt Size	Thickness		Approx. Wt./100	
	in.	(mm)		in.	(mm)	Lbs.	(kg)
B200	3/8"	(9.5)	5/16"-18	1/4"	(6.3)	18	(8.1)
B201	7/16"	(11.1)	3/8"-16	1/4"	(6.3)	18	(8.1)
B202	9/16"	(14.2)	1/2"-13	1/4"	(6.3)	17	(7.7)
B202-1	1 1/16"	(17.4)	5/8"-11	1/4"	(6.3)	16	(7.2)
B202-2	1 3/16"	(20.6)	3/4"-10	1/4"	(6.3)	15	(6.8)



OPM

Threaded Accessories

B3234 - Bevel Washer

Size Range: 3/8"-16 thru 7/8"-9 bolt

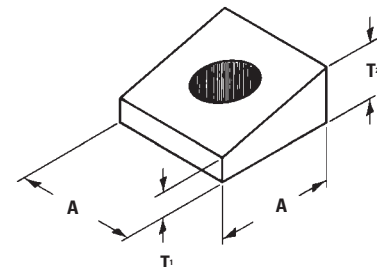
Material: Malleable Iron

Function: Designed to match taper of flange of I-beam or channel to permit right angle fastening of bolt.

Finish: Plain. Contact customer service for alternative finishes and materials.

Order By: Figure number size and finish

Part No.	For Bolt Size	A		T ¹	T ²	Approx. Wt./100			
		in.	(mm)	in.	(mm)	in.	(mm)	Lbs.	(kg)
B3234-3/8	3/8"-16	1 1/4"	(31.7)	5/32"	(3.9)	1 1/32"	(8.7)	9	(4.1)
B3234-1/2	1/2"-13	1 1/4"	(31.7)	5/32"	(3.9)	1 1/32"	(8.7)	9	(4.1)
B3234-5/8	5/8"-11	1 1/2"	(38.1)	5/32"	(3.9)	1 3/32"	(10.3)	14	(6.3)
B3234-3/4	3/4"-10	1 1/2"	(38.1)	7/32"	(5.5)	1 5/32"	(11.9)	16	(7.2)
B3234-7/8	7/8"-9	2"	(50.8)	7/32"	(5.5)	9/16"	(14.3)	33	(14.9)



All dimensions in charts and on drawings are in inches. Dimensions shown in parentheses are in millimeters unless otherwise specified.

HN - Standard hex nut

Size Range: 1/4"-20 thru 7/8"-9

Material: Steel

Approvals: Qualified for static, wind, and seismic loading in concrete. Included in our Seismic Engineering Guidelines approved by the State of California Office of Statewide Health Planning and Development (**OSHPD**). For additional load, spacing and placement information relating to OSHPD projects, please refer to our Seismic Engineering Guidelines, OPM-0052-13.

Finish: Plain or Electro-Galvanized.

Contact customer service for alternative finishes and materials.

Order By: Figure number size and finish

OPM



Part Number	For Rod Size	Width Across Flats in. (mm)	Width Across Points in. (mm)	Thickness in. (mm)	Approx. Wt./100 lbs. (kg)
HN-1/4	1/4"-20	7/16" (11.1)	1/2" (12.7)	7/32" (5.7)	0.7 (0.3)
HN-3/8	3/8"-16	9/16" (14.3)	21/32" (16.6)	21/64" (8.3)	1.6 (0.7)
HN-1/2	1/2"-13	3/4" (19.0)	55/64" (21.8)	7/16" (11.1)	3.7 (1.7)
HN-5/8	5/8"-11	15/16" (23.8)	13/32" (27.8)	35/64" (13.9)	7.3 (3.3)
HN-3/4	3/4"-10	1 1/8" (28.6)	1 5/16" (33.3)	41/64" (16.3)	12.0 (5.4)
HN-7/8	7/8"-9	1 5/16" (33.3)	1 33/64" (38.5)	3/4" (19.0)	19.0 (8.6)

HHN - Heavy hex nut

Size Range: 1/4"-20 thru 7/8"-9

Material: Steel

Finish: Plain or Electro-Galvanized.

Contact customer service for alternative finishes and materials.

Order By: Figure number size and finish



Part Number	For Rod Size	Width Across Flats in. (mm)	Width Across Points in. (mm)	Thickness in. (mm)	Approx. Wt./100 lbs. (kg)
HHN-1/4	1/4"-20	1/2" (12.7)	37/64" (14.7)	15/64" (5.9)	1.2 (0.5)
HHN-3/8	3/8"-16	11/16" (17.5)	51/64" (20.2)	23/64" (9.1)	3.1 (1.4)
HHN-1/2	1/2"-13	7/8" (22.2)	1 1/8" (28.6)	31/64" (12.3)	6.5 (2.9)
HHN-5/8	5/8"-11	1 1/16" (27.0)	1 15/64" (31.3)	39/64" (15.5)	12.0 (5.4)
HHN-3/4	3/4"-10	1 1/4" (31.7)	1 29/64" (36.9)	47/64" (18.6)	19.0 (8.6)
HHN-7/8	7/8"-9	1 7/16" (36.5)	1 21/32" (42.6)	55/64" (21.8)	30.0 (13.6)

All dimensions in charts and on drawings are in inches. Dimensions shown in parentheses are in millimeters unless otherwise specified.

Threaded Accessories

FW - Flat washer

OPM

Size Range: 1/4"-20 thru 1"-8 rods

Material: Steel

Approvals: Qualified for static, wind, and seismic loading in concrete. Included in our Seismic Engineering Guidelines approved by the State of California Office of Statewide Health Planning and Development (OSHPD). For additional load, spacing and placement information relating to OSHPD projects, please refer to our Seismic Engineering Guidelines, OPM-0052-13.

Finish: Plain or Electro-Galvanized. Contact customer service for alternative finishes and materials.

Order By: Figure number size and finish

Part Number	For Rod Size	Outside Diameter in. (mm)	Approx. Wt./100 lbs. (kg)
FW-1/4	1/4"-20	3/4" (19.0)	0.7 (0.3)
FW-3/8	3/8"-16	1" (25.4)	3.9 (1.7)
FW-1/2	1/2"-13	1 3/8" (34.9)	6.7 (3.0)
FW-5/8	5/8"-11	1 3/4" (44.4)	7.3 (3.3)
FW-3/4	3/4"-10	2" (50.8)	11.0 (5.0)
FW-7/8	7/8"-9	2 1/4" (57.1)	19.0 (8.6)
FW-1	1"-8	2 1/2" (69.8)	22.0 (10.0)



LW - Lock washer

Size Range: 1/4"-20 thru 1"-8 rods

Material: Steel

Finish: Plain or Electro-Galvanized. Contact customer service for alternative finishes and materials.

Order By: Figure number size and finish

Part Number	For Rod Size	Outside Diameter in. (mm)	Approx. Wt./100 lbs. (kg)
LW-1/4	1/4"-20	.49" (12.4)	0.3 (0.13)
LW-3/8	3/8"-16	.68" (17.3)	0.6 (0.27)
LW-1/2	1/2"-13	.88" (22.3)	1.3 (0.59)
LW-5/8	5/8"-11	1.08" (27.4)	2.4 (1.09)
LW-3/4	3/4"-10	1.27" (32.2)	3.8 (1.72)
LW-7/8	7/8"-9	1.46" (37.1)	5.9 (2.67)
LW-1	1"-8	1.66" (42.1)	8.8 (3.99)



Threaded Accessories

FFW - Flat fender washer

Size Range: 3/8"-16 and 1/2"-13 rods

Material: Steel

Function: To provide a greater bearing surface than standard washer.

Finish: Plain or Electro-Galvanized. Contact customer service for alternative finishes and materials.

Order By: Figure number and size

Part Number	For Rod Size	Inside Diameter in. (mm)	Outside Diameter in. (mm)	Approx. Wt./100 lbs. (kg)
FFW-3/8	3/8"-16	1/2" (12.7)	1 1/8" (28.6)	3.0 (1.3)
FFW-1/2	1/2"-13	9/16" (14.3)	2" (50.8)	2.8 (1.3)




All dimensions in charts and on drawings are in inches. Dimensions shown in parentheses are in millimeters unless otherwise specified.

Reference Data - Seismic Anchor Load Chart Information

For load information when using Fig. 980, Fig. 910, or Fig. 909 with pre-installed or post-installed concrete anchors in compliance with NFPA 13 (2016) or ASCE 7-10, including prying factors, see load tables on the Eaton website at the following location:

[Eaton.com/seismic-resources](https://www.eaton.com/seismic-resources)

If you have any questions, contact TolcoSupport@Eaton.com



The image is a promotional graphic for Eaton's seismic bracing products. At the top, a dark red banner contains the text "Seismic Bracing Products" on the left, "SBALC-21" in the center, and "B-LINE SERIES" on the right. Below the banner is a photograph of a large industrial pipe with a seismic bracing anchor attached. Overlaid on this photo is the text "Seismic bracing anchor load charts for Fig. 909, Fig. 910, Fig. 980" in a large, white, sans-serif font. Below the photo are three separate images of different anchor models: a side view of a U-shaped anchor, a top-down view of a similar anchor, and a side view of a more complex anchor with a threaded rod. At the bottom of the graphic is the Eaton logo, which consists of the word "EATON" in a bold, blue, sans-serif font, with the tagline "Powering Business Worldwide" underneath it.

Load Chart For Threaded Rod (ATR)

Rod Size	Root Area Thread		Maximum Safe Loads			
	In. ²	(cm ²)	650°F (349°C)		750°F (399°C)	
			Lbs.	(kN)	Lbs.	(kN)
3/8"-16	0.068	(.43)	730	(3.24)	572	(2.54)
1/2"-13	0.126	(.81)	1350	(6.00)	1057	(4.70)
5/8"-11	0.202	(1.30)	2160	(9.60)	1692	(7.52)
3/4"-10	0.302	(1.95)	3230	(14.37)	2530	(11.25)
7/8"-9	0.419	(2.70)	4480	(19.93)	3508	(15.60)
1"-8	0.551	(3.55)	5900	(26.24)	4620	(20.55)
1 1/8"-7	0.693	(4.47)	7450	(33.14)	5830	(25.93)
1 1/4"-7	0.890	(5.74)	9500	(42.25)	7440	(33.09)
1 1/2"-6	1.29	(8.32)	13800	(61.38)	10807	(48.07)
1 3/4"-5	1.74	(11.22)	18600	(82.73)	14566	(64.79)
2"-4 1/2	2.30	(14.84)	24600	(109.42)	19625	(87.29)
2 1/4"-4 1/2	3.02	(19.48)	32300	(143.67)	25295	(112.51)
2 1/2"-4	3.72	(24.00)	39800	(177.03)	31169	(138.64)
2 3/4"-4	4.62	(29.80)	49400	(219.73)	38687	(172.08)
3"-4	5.62	(36.26)	60100	(267.32)	47066	(209.35)
3 1/4"-8UN	6.72	(43.35)	71900	(319.81)	56307	(250.45)
3 1/2"-8UN	7.92	(51.09)	84700	(376.74)	66331	(295.04)
3 3/4"-8UN	9.21	(59.42)	98500	(438.13)	77139	(138.64)

Extracted from MSS SP-58, 2002, with permission of the publisher, the Manufacturers Standardization Society.

Rod Size As Determined By Steel Pipe Size For Fire Protection

Steel Pipe Size	Maximum Span	Rod Size
In. (mm)	Ft. (m)	
1"-1 1/4" (25-30)	12 (3.66)	3/8"-16
1 1/2"-4" (40-100)	15 (4.57)	3/8"-16
5"-8" (125-200)	15 (4.57)	1/2"-13
10"-12" (250-300)	15 (4.57)	5/8"-11

Based on NFPA 13-1999, Table 6-2.2 & Table 6-1.4.1

Rod Size As Determined By Copper Tubing Size For Fire Protection

Copper Tubing Size	Maximum Span	Rod Size
In. (mm)	Ft. (m)	
3/4"-1" (20-35)	8 (2.44)	3/8"-16
1 1/4"-1 1/2" (32-40)	15 (3.05)	3/8"-16
2"-3" (50-80)	15 (3.66)	3/8"-16
3 1/2"-4" (90-100)	15 (4.57)	3/8"-16
5"-8" (125-200)	15 (4.57)	1/2"-13

Based on NFPA 13-1999, Table 6-2.2 & Table 6-1.4.1

Reference Data

Schedule 40 steel pipe data

Nominal Pipe Size		Pipe O.D.		Wall Thickness		Weight of Pipe		Weight of Pipe Filled With Water		Maximum Span*		Recommended Hanger Rod Sizes
In.	mm	In.	mm	In.	mm	Lbs./Ft.	kg/m	Lbs./Ft.	kg/m	Ft.	Meter	Sizes
3/8"	(10)	.675	(17.1)	.091	(2.3)	.6	(.9)	.7	(1.0)	7	(2.13)	3/8"-16
1/2"	(15)	.840	(21.3)	.109	(2.7)	.8	(1.2)	.9	(1.3)	7	(2.13)	3/8"-16
3/4"	(20)	1.050	(26.7)	.113	(2.9)	1.1	(1.7)	1.3	(2.0)	7	(2.13)	3/8"-16
1"	(25)	1.315	(33.4)	.133	(3.4)	1.7	(2.5)	2.1	(3.0)	7	(2.13)	3/8"-16
1 1/4"	(32)	1.660	(42.1)	.140	(3.5)	2.3	(3.4)	2.9	(4.3)	7	(2.13)	3/8"-16
1 1/2"	(40)	1.900	(48.2)	.145	(3.7)	2.7	(4.0)	3.6	(5.3)	9	(2.74)	3/8"-16
2"	(50)	2.375	(60.3)	.154	(3.9)	3.6	(5.4)	5.0	(7.5)	10	(3.05)	3/8"-16
2 1/2"	(65)	2.875	(73.0)	.203	(5.1)	5.8	(8.6)	7.9	(11.7)	11	(3.35)	1/2"-13
3"	(80)	3.500	(88.9)	.216	(5.5)	7.6	(11.2)	10.8	(15.9)	12	(3.66)	1/2"-13
3 1/2"	(90)	4.000	(101.6)	.226	(5.7)	9.1	(13.5)	13.4	(19.8)	13	(3.96)	1/2"-13
4"	(100)	4.500	(114.3)	.237	(6.0)	10.8	(16.0)	16.3	(24.2)	14	(4.27)	5/8"-11
5"	(125)	5.563	(141.3)	.258	(6.5)	14.6	(21.7)	23.2	(34.6)	16	(4.87)	5/8"-11
6"	(150)	6.625	(168.3)	.280	(7.1)	19.0	(28.2)	31.5	(46.8)	17	(5.18)	3/4"-10
8"	(200)	8.625	(219.1)	.322	(8.2)	28.5	(42.5)	50.1	(74.6)	19	(5.79)	3/4"-10
10"	(250)	10.750	(273.0)	.365	(9.3)	40.5	(60.2)	74.6	(110.9)	22	(6.69)	7/8"-9
12"	(300)	12.750	(323.8)	.406	(10.3)	51.1	(75.9)	102.1	(151.9)	23	(7.01)	7/8"-9
14"	(350)	14.000	(355.6)	.437	(11.1)	63.0	(93.7)	121.5	(180.7)	25	(7.62)	1"-8
16"	(400)	16.000	(406.4)	.500	(12.7)	83.0	(123.5)	159.5	(237.3)	27	(8.23)	1"-8
18"	(450)	18.000	(457.2)	.563	(14.3)	105.0	(156.2)	202.2	(300.8)	28	(8.53)	1"-8
20"	(500)	20.000	(508.0)	.593	(15.1)	123.0	(183.0)	243.4	(361.8)	30	(9.14)	1 1/4"-7
24"	(600)	24.000	(609.6)	.687	(17.4)	171.0	(254.5)	345.2	(513.7)	32	(9.75)	1 1/4"-7

Based on ASTM A53-86.

1 cubic ft. of water weighs 62.41 lbs.
 1 gallon (U.S.) weighs 8.335 lbs.
 1 cubic meter of water weighs 999.97 kg.
 1 liter weighs .999 kg.

Based on MSS SP-69 Table 3 & 4.

*Many codes require pipe hangers to be spaced every 10' (3.048 meters) regardless of size. Check local codes.
 Spacing and capacities are based on water filled pipe. Closer hanger spacing may be required where additional valves and fittings increase the load.

CPVC Fire Sprinkler Pipe Data

Nominal Pipe Size		Pipe O.D.		Average Wall Thickness		Average Inside Diameter		Weight of CPVC Pipe		Weight of CPVC Pipe Filled With Water	
In.	mm	In.	mm	In.	mm	In.	mm	Lbs./Ft.	kg/m	Lbs./Ft.	kg/m
3/4"	(20)	1.050	(26.7)	.083	(2.1)	0.874	(22.2)	0.168	(0.250)	0.428	(0.637)
1"	(25)	1.315	(33.4)	.102	(2.6)	1.101	(27.9)	0.262	(0.390)	0.674	(1.003)
1 1/4"	(32)	1.660	(42.1)	.128	(3.2)	1.394	(35.4)	0.418	(0.622)	1.079	(1.606)
1 1/2"	(40)	1.900	(48.2)	.146	(3.7)	1.598	(40.6)	0.548	(0.815)	1.417	(2.109)
2"	(50)	2.375	(60.3)	.181	(4.6)	2.003	(50.9)	0.859	(1.278)	2.222	(3.307)
2 1/2"	(65)	2.875	(73.0)	.218	(5.5)	2.423	(61.5)	1.257	(1.870)	3.252	(4.839)
3"	(80)	3.500	(88.9)	.267	(6.8)	2.950	(74.9)	1.867	(2.778)	4.827	(7.183)

Dimensions and tolerances per ASTM F442.

1 cubic ft. of water weighs 62.41 lbs.
 1 cubic meter of water weighs 999.97 kg.

AWWA Ductile iron pipe data

Nominal Pipe Size In. mm	Class	O.D. of Ductile Iron Pipe		Wall Thickness		Weight of Pipe		Weight of Pipe Filled With Water	
		In.	mm	In.	mm	Lbs./Ft.	kg/m	Lbs./Ft.	kg/m
3" (80)	53	3.96	(100.6)	.31	(7.9)	11.2	(16.6)	15.0	(22.2)
4" (100)	53	4.80	(121.9)	.32	(8.1)	14.2	(21.1)	20.1	(29.9)
6" (150)	53	6.90	(175.2)	.34	(8.6)	22.0	(32.7)	35.1	(52.2)
8" (200)	53	9.05	(229.9)	.36	(9.1)	31.0	(46.1)	54.0	(80.3)
10" (250)	53	11.10	(281.9)	.38	(9.6)	40.4	(60.1)	76.8	(114.2)
12" (300)	53	13.20	(335.3)	.40	(10.1)	50.7	(75.4)	103.0	(153.2)
14" (350)	53	15.30	(388.6)	.42	(10.6)	62.4	(92.8)	133.5	(198.6)
16" (400)	53	17.40	(441.9)	.43	(10.9)	72.8	(108.3)	165.9	(246.8)
18" (450)	53	19.50	(495.3)	.44	(11.1)	83.6	(124.4)	201.5	(299.8)
20" (500)	53	21.60	(548.6)	.45	(11.4)	95.2	(141.7)	241.0	(358.7)
24" (600)	53	25.80	(655.3)	.47	(11.9)	119.2	(177.4)	329.4	(490.2)
30" (750)	53	32.00	(812.8)	.51	(12.9)	161.3	(240.0)	487.8	(597.1)
36" (900)	53	38.30	(972.8)	.58	(14.7)	219.5	(326.6)	688.8	(1025.0)
42" (1050)	53	44.50	(1130.3)	.65	(16.5)	285.2	(424.4)	920.1	(1369.2)
48" (1200)	53	50.80	(1290.3)	.72	(18.3)	360.3	(536.2)	1189.2	(1769.7)
54" (1350)	53	57.10	(1450.3)	.81	(20.6)	455.0	(677.1)	1502.2	(2135.5)

Based on AWWA C108-70, Table 8.2.

Add flange weight for flanged cast iron pipe.

Ductile Iron Pipe Size

Ductile Iron Pipe Size In. mm	B3110	B3114	B3120	B3122	B3122A	B3124	B3126	B3117SL
3" (80)	3 1/2	3 1/2	3 1/2	3 1/2	3 1/2	2 to 3 1/2	2 to 3 1/2	2 to 3 1/2
4" (100)	4	4	4	4	4	4 to 6	4 to 6	4 to 6
6" (150)	6	6	6	6	6	4 to 6	4 to 6	4 to 6
8" (200)	10	8	8	8	8	8 to 10	8 to 10	8 to 10
10" (250)	12	10	10	10	10	8 to 10	8 to 10	8 to 10
12" (300)	12	12	12	12	12	12 to 14	12 to 14	12 to 14
14" (350)	16	14	14	14	14	12 to 14	12 to 14	12 to 14
16" (400)	18	16	16	16	16	16 to 20	16 to 20	16 to 20
18" (450)	20	18	18	18	18	16 to 20	16 to 20	16 to 20
20" (500)	24	20	20	20	20	16 to 20	16 to 20	16 to 20
24" (600)	30	24	24	24	24	—	—	24

Ductile Iron Pipe Size In. mm	B3118SL	B3119SL	B218	B219	B379	B479	B3114R	B3117R
3" (80)	2 to 3 1/2	2 to 3 1/2	B218	B219-1	—	—	3 1/2	2 to 3 1/2
4" (100)	4 to 6	4 to 6	B218	B219-2	—	—	4	4 to 6
6" (150)	4 to 6	4 to 6	B218	B219-3	B379	—	6	4 to 6
8" (200)	8 to 10	8 to 10	—	B219-4	B379	—	8	8 to 10
10" (250)	8 to 10	8 to 10	—	B219-4	B379	—	10	8 to 10
12" (300)	12 to 14	12 to 14	—	B219-5	B379	—	12	12 to 14
14" (350)	12 to 14	12 to 14	—	—	B379	—	14	12 to 14
16" (400)	16 to 20	16 to 20	—	—	B379	B479	16	16 to 20
18" (450)	16 to 20	16 to 20	—	—	—	B479	18	16 to 20
20" (500)	16 to 20	16 to 20	—	—	—	B479	20	16 to 20
24" (600)	24	24	—	—	—	B479	24	24

Reference Data

Copper tubing (type L) data

Nominal Tubing Size		O.D. Size		Wall Thickness		Weight of Tubing		Weight of Tubing Filled With Water	
In.	mm	In.	mm	In.	mm	Lbs./Ft.	kg/m	Lbs./Ft.	kg/m
1/4"	(6)	.375	(9.5)	.030	(.7)	.12	(.17)	.15	(.21)
3/8"	(10)	.500	(12.7)	.035	(.9)	.20	(.30)	.26	(.39)
1/2"	(15)	.625	(15.9)	.040	(1.0)	.28	(.41)	.38	(.56)
5/8"	(17)	.750	(19.0)	.042	(1.0)	.36	(.53)	.51	(.75)
3/4"	(20)	.875	(22.2)	.045	(1.1)	.45	(.67)	.66	(.98)
1"	(25)	1.125	(28.6)	.050	(1.3)	.65	(.97)	1.01	(1.50)
1 1/4"	(32)	1.375	(34.9)	.055	(1.4)	.88	(1.31)	1.42	(2.11)
1 1/2"	(40)	1.625	(41.3)	.060	(1.5)	1.14	(1.69)	1.91	(2.83)
2"	(50)	2.125	(54.0)	.070	(1.8)	1.75	(2.60)	3.09	(4.59)
2 1/2"	(65)	2.625	(66.7)	.080	(2.0)	2.48	(3.69)	4.54	(6.75)
3"	(80)	3.125	(79.4)	.090	(2.3)	3.33	(4.95)	6.28	(9.34)
3 1/2"	(90)	3.625	(92.1)	.100	(2.5)	4.29	(6.38)	8.28	(12.32)
4"	(100)	4.125	(104.8)	.110	(2.8)	5.38	(8.00)	10.57	(15.72)
5"	(125)	5.125	(130.2)	.125	(3.2)	7.61	(11.32)	15.69	(23.34)
6"	(150)	6.125	(155.6)	.140	(3.5)	10.20	(15.18)	21.81	(32.46)
8"	(200)	8.125	(206.4)	.200	(5.1)	19.29	(28.70)	39.49	(58.89)

Dimensions taken from ASTM B88-83.

Copper tubing (type K) data

Nominal Tubing Size		O.D. Size		Wall Thickness		Weight of Tubing		Weight of Tubing Filled With Water	
In.	mm	In.	mm	In.	mm	Lbs./Ft.	kg/m	Lbs./Ft.	kg/m
1/4"	(6)	.375	(9.5)	.035	(.9)	.14	(.21)	.17	(.25)
3/8"	(10)	.500	(12.7)	.049	(1.2)	.27	(.40)	.32	(.47)
1/2"	(15)	.625	(15.9)	.049	(1.2)	.34	(.50)	.43	(.63)
5/8"	(17)	.750	(19.0)	.049	(1.2)	.42	(.62)	.56	(.83)
3/4"	(20)	.875	(22.2)	.065	(1.6)	.64	(.95)	.83	(1.23)
1"	(25)	1.125	(28.6)	.065	(1.6)	.84	(1.25)	1.18	(1.75)
1 1/4"	(32)	1.375	(34.9)	.065	(1.6)	1.04	(1.55)	1.57	(2.34)
1 1/2"	(40)	1.625	(41.3)	.072	(1.8)	1.36	(2.02)	2.10	(3.12)
2"	(50)	2.125	(54.0)	.083	(2.1)	2.06	(3.06)	3.37	(5.01)
2 1/2"	(65)	2.625	(66.7)	.095	(2.4)	2.92	(4.34)	4.92	(7.31)
3"	(80)	3.125	(79.4)	.109	(2.8)	4.00	(5.95)	6.96	(10.35)
3 1/2"	(90)	3.625	(92.1)	.120	(3.0)	5.12	(7.62)	9.02	(13.42)
4"	(100)	4.125	(104.8)	.134	(3.4)	6.51	(9.69)	11.57	(17.22)
5"	(125)	5.125	(130.2)	.160	(4.0)	9.67	(14.39)	17.67	(26.29)
6"	(150)	6.125	(155.6)	.192	(4.9)	13.87	(20.60)	25.07	(37.27)
8"	(200)	8.125	(206.4)	.271	(6.9)	25.90	(38.50)	45.40	(67.52)

Dimensions taken from ASTM B88-83.

1 cubic ft. of water weighs 62.41 lbs.

1 cubic meter of water weighs 999.97 kg.

1 gallon (U.S.) weighs 8.335 lbs.

1 liter weighs .999 kg.

Schedule 40 PVC plastic pipe data

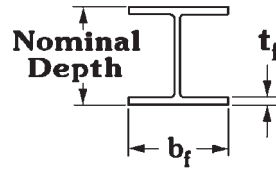
Nominal Pipe Size		Pipe O.D.		Wall Thickness		Weight of Pipe		Weight of Pipe Filled With Water	
In.	mm	In.	mm	In.	mm	Lbs./Ft.	kg/m	Lbs./Ft.	kg/m
1/8"	(3)	.405	(10.3)	.068	(1.7)	.04	(.06)	.06	(.09)
1/4"	(6)	.540	(13.7)	.088	(2.2)	.07	(.11)	.11	(.17)
3/8"	(10)	.675	(17.1)	.091	(2.3)	.10	(.14)	.18	(.26)
1/2"	(15)	.840	(21.3)	.109	(2.7)	.15	(.20)	.25	(.40)
3/4"	(20)	1.050	(26.7)	.113	(2.9)	.20	(.30)	.40	(.60)
1"	(25)	1.315	(33.4)	.133	(3.4)	.30	(.40)	.70	(.90)
1 1/4"	(32)	1.660	(42.1)	.140	(3.5)	.40	(.60)	1.00	(1.50)
1 1/2"	(40)	1.900	(48.2)	.145	(3.7)	.50	(.70)	1.40	(2.00)
2"	(50)	2.375	(60.3)	.154	(3.9)	.60	(.90)	2.00	(3.00)
2 1/2"	(65)	2.875	(73.0)	.203	(5.1)	1.00	(1.50)	3.10	(4.51)
3"	(80)	3.500	(88.9)	.216	(5.5)	1.30	(2.00)	4.50	(6.70)
3 1/2"	(90)	4.000	(101.6)	.226	(5.7)	1.60	(2.40)	5.90	(8.70)
4"	(100)	4.500	(114.3)	.237	(6.0)	1.90	(2.80)	7.40	(11.00)
5"	(125)	5.563	(141.3)	.258	(6.5)	2.80	(4.10)	11.40	(17.00)
6"	(150)	6.625	(168.3)	.280	(7.1)	3.30	(4.90)	15.40	(23.00)
8"	(200)	8.625	(219.1)	.322	(8.2)	5.30	(7.80)	26.90	(39.90)
10"	(250)	10.750	(273.0)	.366	(9.3)	7.50	(11.10)	41.60	(61.80)
12"	(300)	12.750	(323.8)	.406	(10.3)	10.00	(14.90)	58.50	(87.00)

Schedule 80 PVC plastic pipe data

Nominal Pipe Size		Pipe O.D.		Wall Thickness		Weight of Pipe		Weight of Pipe Filled With Water	
In.	mm	In.	mm	In.	mm	Lbs./Ft.	kg/m	Lbs./Ft.	kg/m
1/8"	(3)	.405	(10.3)	.095	(2.4)	.05	(.08)	.06	(.10)
1/4"	(6)	.540	(13.7)	.119	(3.0)	.09	(.14)	.12	(.18)
3/8"	(10)	.675	(17.1)	.126	(3.2)	.10	(.19)	.16	(.28)
1/2"	(15)	.840	(21.3)	.147	(3.7)	.10	(.20)	.20	(.30)
3/4"	(20)	1.050	(26.7)	.154	(3.9)	.20	(.40)	.40	(.70)
1"	(25)	1.315	(33.4)	.179	(4.5)	.40	(.50)	.70	(.90)
1 1/4"	(32)	1.660	(42.1)	.191	(4.8)	.50	(.80)	1.00	(1.60)
1 1/2"	(40)	1.900	(48.2)	.200	(5.1)	.60	(.90)	1.30	(2.00)
2"	(50)	2.375	(60.3)	.218	(5.5)	.90	(1.30)	2.20	(3.20)
2 1/2"	(65)	2.875	(73.0)	.276	(7.0)	1.30	(2.00)	3.10	(4.70)
3"	(80)	3.500	(88.9)	.300	(7.6)	1.80	(2.70)	4.60	(6.90)
3 1/2"	(90)	4.000	(101.6)	.318	(8.1)	2.20	(3.20)	6.00	(8.90)
4"	(100)	4.500	(114.3)	.337	(8.5)	2.60	(3.90)	7.60	(11.30)
5"	(125)	5.563	(141.3)	.375	(9.5)	4.10	(6.10)	12.00	(17.80)
6"	(150)	6.625	(168.3)	.432	(11.0)	5.00	(7.50)	16.30	(24.30)
8"	(200)	8.625	(219.1)	.500	(12.7)	8.00	(11.90)	27.80	(41.30)
10"	(250)	10.750	(273.0)	.593	(15.0)	11.90	(17.70)	43.20	(77.60)
12"	(300)	12.750	(323.8)	.687	(17.4)	16.30	(24.30)	60.30	(89.80)

1 cubic ft. of water weighs 62.41 lbs.
1 cubic meter of water weighs 999.97 kg.
1 gallon (U.S.) weighs 8.335 lbs.
1 liter weighs .999 kg.

Reference Data



Wide flange I-beams

Designation		Flange Width		Flange thickness		Designation		Flange Width		Flange thickness	
Nominal Depth & Weight		b _f		t _f		Nominal Depth & Weight		b _f		t _f	
In. x Lbs./Ft.	(mm x kg/m)	in.	mm	in.	mm	In. x Lbs./Ft.	(mm x kg/m)	in.	mm	in.	mm
W4 x 13	(W100 x 19.3)	4 ^{1/16"}	(103)	0.345	(8.8)	W12 x 14	(W310 x 21.0)	4"	(101)	0.225	(5.7)
W5 x 16	(W130 x 23.8)	5"	(127)	0.360	(9.1)	W12 x 16	(W310 x 23.8)	4"	(101)	0.265	(6.7)
W5 x 19	(W130 x 28.1)	5"	(128)	0.430	(10.9)	W12 x 19	(W310 x 28.3)	4"	(101)	0.350	(8.9)
W6 x 9	(W150 x 13.5)	3 ^{15/16"}	(100)	0.215	(5.5)	W12 x 22	(W310 x 32.7)	4"	(101)	0.425	(10.8)
W6 x 12	(W150 x 18.0)	4"	(101)	0.280	(7.1)	W12 x 26	(W310 x 38.7)	6 ^{1/2"}	(165)	0.380	(9.7)
W6 x 16	(W150 x 24.0)	4"	(101)	0.405	(10.3)	W12 x 30	(W310 x 44.5)	6 ^{1/2"}	(165)	0.440	(11.2)
W6 x 20	(W150 x 29.8)	6"	(153)	0.365	(9.3)	W12 x 35	(W310 x 52)	6 ^{9/16"}	(167)	0.520	(13.2)
W6 x 25	(W150 x 37.1)	6 ^{1/16"}	(154)	0.455	(11.6)	W12 x 40	(W310 x 60)	8"	(203)	0.515	(13.1)
W8 x 10	(W200 x 15.0)	3 ^{15/16"}	(100)	0.205	(5.2)	W12 x 45	(W310 x 67)	8 ^{1/16"}	(205)	0.575	(14.6)
W8 x 13	(W200 x 19.3)	4"	(101)	0.255	(6.5)	W12 x 50	(W310 x 74)	8 ^{1/16"}	(205)	0.640	(16.3)
W8 x 15	(W200 x 22.5)	4"	(101)	0.315	(8.0)	W12 x 53	(W310 x 79)	10"	(254)	0.575	(14.6)
W8 x 18	(W200 x 26.6)	5 ^{1/4"}	(133)	0.330	(8.4)	W12 x 58	(W310 x 86)	10"	(254)	0.640	(16.3)
W8 x 21	(W200 x 31.3)	5 ^{1/4"}	(133)	0.400	(10.2)	W12 x 65	(W310 x 97)	12"	(306)	0.605	(15.4)
W8 x 24	(W200 x 35.9)	6 ^{1/2"}	(165)	0.400	(10.2)	W12 x 72	(W310 x 107)	12"	(306)	0.670	(17.0)
W8 x 28	(W200 x 41.7)	6 ^{1/2"}	(166)	0.465	(11.8)	W12 x 79	(W310 x 117)	12 ^{1/16"}	(307)	0.735	(18.7)
W8 x 31	(W200 x 46.1)	8"	(203)	0.435	(11.0)	W12 x 87	(W310 x 129)	12 ^{1/8"}	(308)	0.810	(20.6)
W8 x 35	(W200 x 52)	8"	(203)	0.495	(12.6)	W12 x 96	(W310 x 143)	12 ^{1/8"}	(308)	0.900	(22.9)
W8 x 40	(W200 x 59)	8 ^{1/16"}	(205)	0.560	(14.2)	W12 x 106	(W310 x 158)	12 ^{1/4"}	(310)	0.990	(25.1)
W8 x 48	(W200 x 71)	8 ^{1/8"}	(206)	0.685	(17.4)	W12 x 120	(W310 x 179)	12 ^{5/16"}	(313)	1.105	(28.1)
W8 x 58	(W200 x 86)	8 ^{1/4"}	(209)	0.810	(20.6)	W12 x 136	(W310 x 202)	12 ^{3/8"}	(315)	1.250	(31.8)
W8 x 67	(W200 x 100)	8 ^{1/4"}	(210)	0.935	(23.7)	W12 x 152	(W310 x 226)	12 ^{1/2"}	(317)	1.400	(35.6)
W10 x 12	(W250 x 17.9)	4"	(101)	0.210	(5.3)	W12 x 170	(W310 x 253)	12 ^{9/16"}	(319)	1.560	(39.6)
W10 x 15	(W250 x 22.3)	4"	(101)	0.270	(6.9)	W12 x 190	(W310 x 283)	12 ^{11/16"}	(322)	1.735	(44.1)
W10 x 17	(W250 x 25.3)	4"	(101)	0.330	(8.4)	W12 x 210	(W310 x 313)	12 ^{3/4"}	(325)	1.900	(48.3)
W10 x 19	(W250 x 28.4)	4"	(101)	0.395	(10.0)	W12 x 230	(W310 x 342)	12 ^{7/8"}	(328)	2.070	(52.6)
W10 x 22	(W250 x 32.7)	5 ^{3/4"}	(146)	0.360	(9.1)	W12 x 252	(W310 x 375)	13"	(330)	2.250	(57.2)
W10 x 26	(W250 x 38.5)	5 ^{3/4"}	(147)	0.440	(11.2)	W14 x 22	(W360 x 32.9)	5"	(127)	0.335	(8.5)
W10 x 30	(W250 x 44.8)	5 ^{13/16"}	(148)	0.510	(13.0)	W14 x 26	(W360 x 39.0)	5"	(127)	0.420	(10.7)
W10 x 33	(W250 x 49.1)	7 ^{15/16"}	(202)	0.435	(11.0)	W14 x 30	(W360 x 44.8)	6 ^{3/4"}	(172)	0.385	(9.8)
W10 x 39	(W250 x 58)	8"	(203)	0.530	(13.5)	W14 x 34	(W360 x 51)	6 ^{3/4"}	(172)	0.455	(11.6)
W10 x 45	(W250 x 67)	8"	(203)	0.620	(15.7)	W14 x 38	(W360 x 57)	6 ^{3/4"}	(172)	0.515	(13.1)
W10 x 49	(W250 x 73)	10"	(254)	0.560	(14.2)	W14 x 43	(W360 x 64)	8"	(203)	0.530	(13.5)
W10 x 54	(W250 x 80)	10 ^{1/16"}	(255)	0.615	(15.6)	W14 x 48	(W360 x 72)	8"	(203)	0.595	(15.1)
W10 x 60	(W250 x 89)	10 ^{1/16"}	(256)	0.680	(17.3)	W14 x 53	(W360 x 79)	8 ^{1/16"}	(205)	0.660	(16.8)
W10 x 68	(W250 x 101)	10 ^{1/8"}	(257)	0.770	(19.6)	W14 x 61	(W360 x 91)	10"	(254)	0.645	(16.4)
W10 x 77	(W250 x 115)	10 ^{3/16"}	(259)	0.870	(22.1)	W14 x 68	(W360 x 101)	10"	(254)	0.720	(18.3)
W10 x 88	(W250 x 131)	10 ^{1/4"}	(261)	0.990	(25.1)	W14 x 74	(W360 x 110)	10 ^{1/16"}	(256)	0.785	(19.9)
W10 x 100	(W250 x 149)	10 ^{3/8"}	(263)	1.120	(28.4)	W14 x 82	(W360 x 122)	10 ^{1/8"}	(257)	0.855	(21.7)
W10 x 112	(W250 x 167)	10 ^{7/16"}	(265)	1.250	(31.8)	W14 x 90	(W360 x 134)	14 ^{1/2"}	(369)	0.710	(18.0)

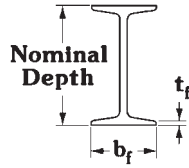
Dimensions taken from ASTM A6-86.

(Continued on next page)

Wide flange I-beams (Continued)

Designation		Flange Width		Flange thickness		Designation		Flange Width		Flange thickness	
Nominal Depth & Weight		b _f		t _f		Nominal Depth & Weight		b _f		t _f	
In. x Lbs./Ft.	(mm x kg/m)	In.	mm	In.	mm	In. x Lbs./Ft.	(mm x kg/m)	In.	mm	In.	mm
W14 x 99	(W360 x 147)	14 ⁹ / ₁₆ "	(370)	0.780	(19.8)	W21 x 73	(W530 x 109)	8 ¹ / ₄ "	(209)	0.740	(18.8)
W14 x 109	(W360 x 162)	14 ⁵ / ₈ "	(371)	0.860	(21.8)	W21 x 83	(W530 x 123)	8 ⁷ / ₈ "	(213)	0.835	(21.2)
W14 x 120	(W360 x 179)	14 ¹¹ / ₁₆ "	(373)	0.940	(23.9)	W21 x 93	(W530 x 138)	8 ⁷ / ₁₆ "	(214)	0.930	(23.6)
W14 x 132	(W360 x 196)	14 ³ / ₄ "	(374)	1.030	(26.2)	W21 x 101	(W530 x 150)	12 ¹ / ₄ "	(311)	0.800	(20.3)
W14 x 145	(W360 x 216)	15 ¹ / ₂ "	(394)	1.090	(27.7)	W21 x 111	(W530 x 165)	12 ³ / ₈ "	(314)	0.875	(22.2)
W14 x 159	(W360 x 237)	15 ⁹ / ₁₆ "	(395)	1.190	(30.2)	W21 x 122	(W530 x 182)	12 ³ / ₈ "	(314)	0.960	(24.4)
W14 x 176	(W360 x 262)	15 ⁵ / ₈ "	(397)	1.310	(33.3)	W21 x 132	(W530 x 196)	12 ⁷ / ₁₆ "	(316)	0.035	(26.3)
W14 x 193	(W360 x 287)	15 ³ / ₄ "	(400)	1.440	(36.6)	W21 x 147	(W530 x 219)	12 ¹ / ₂ "	(317)	0.150	(29.2)
W14 x 211	(W360 x 314)	15 ³ / ₄ "	(400)	1.560	(39.6)	W24 x 55	(W610 x 82)	7"	(178)	0.505	(12.8)
W14 x 233	(W360 x 347)	15 ⁷ / ₈ "	(403)	1.720	(43.7)	W24 x 62	(W610 x 92)	7 ¹ / ₁₆ "	(179)	0.590	(15.0)
W14 x 257	(W360 x 382)	16"	(406)	1.890	(48.0)	W24 x 68	(W610 x 101)	8 ¹⁵ / ₁₆ "	(227)	0.585	(14.9)
W14 x 283	(W360 x 421)	16 ¹ / ₈ "	(409)	2.070	(52.6)	W24 x 76	(W610 x 113)	9"	(228)	0.680	(17.3)
W14 x 311	(W360 x 463)	16 ¹ / ₄ "	(413)	2.260	(57.4)	W24 x 84	(W610 x 125)	9"	(228)	0.770	(19.6)
W14 x 342	(W360 x 509)	16 ³ / ₈ "	(416)	2.470	(62.7)	W24 x 94	(W610 x 140)	9 ¹ / ₁₆ "	(230)	1.875	(22.2)
W14 x 370	(W360 x 551)	16 ¹ / ₂ "	(419)	2.660	(67.6)	W24 x 104	(W610 x 155)	12 ³ / ₄ "	(324)	1.750	(19.0)
W14 x 398	(W360 x 592)	16 ⁹ / ₁₆ "	(421)	2.845	(72.3)	W24 x 117	(W610 x 174)	12 ³ / ₄ "	(324)	0.850	(21.6)
W14 x 426	(W360 x 634)	16 ¹¹ / ₁₆ "	(424)	3.035	(77.1)	W24 x 131	(W610 x 195)	12 ⁷ / ₈ "	(327)	0.960	(24.4)
W16 x 26	(W410 x 38.8)	5 ¹ / ₂ "	(140)	0.345	(8.8)	W24 x 146	(W610 x 217)	12 ⁷ / ₈ "	(327)	1.090	(27.7)
W16 x 31	(W410 x 46.1)	5 ¹ / ₂ "	(140)	0.440	(11.2)	W24 x 162	(W610 x 241)	12 ¹⁵ / ₁₆ "	(328)	1.220	(31.0)
W16 x 36	(W410 x 53)	7"	(178)	0.430	(10.9)	W27 x 84	(W690 x 125)	9 ⁵ / ₁₆ "	(252)	0.640	(16.3)
W16 x 40	(W410 x 60)	7"	(178)	0.505	(12.8)	W27 x 94	(W690 x 140)	10"	(254)	0.745	(18.9)
W16 x 45	(W410 x 67)	7"	(178)	0.565	(14.4)	W27 x 102	(W690 x 152)	10"	(254)	0.830	(21.1)
W16 x 50	(W410 x 75)	7 ¹ / ₁₆ "	(179)	0.630	(16.0)	W27 x 114	(W690 x 170)	10 ¹ / ₁₆ "	(255)	0.930	(23.6)
W16 x 57	(W410 x 85)	7 ¹ / ₈ "	(181)	0.715	(18.2)	W27 x 146	(W690 x 217)	13 ¹⁵ / ₁₆ "	(354)	0.975	(24.8)
W16 x 67	(W410 x 100)	10 ¹ / ₄ "	(260)	0.665	(16.9)	W27 x 161	(W690 x 240)	14"	(355)	1.080	(27.4)
W16 x 77	(W410 x 114)	10 ⁵ / ₁₆ "	(262)	0.760	(19.3)	W27 x 178	(W690 x 265)	14 ¹ / ₁₆ "	(357)	1.190	(30.2)
W16 x 89	(W410 x 132)	10 ³ / ₈ "	(263)	0.875	(22.2)	W30 x 99	(W760 x 147)	10 ⁷ / ₁₆ "	(265)	0.670	(17.0)
W16 x 100	(W410 x 149)	10 ⁷ / ₁₆ "	(265)	0.985	(25.0)	W30 x 108	(W760 x 161)	10 ¹ / ₂ "	(267)	0.760	(19.3)
W18 x 35	(W460 x 52)	6"	(152)	0.425	(10.8)	W30 x 116	(W760 x 173)	10 ¹ / ₂ "	(267)	0.850	(21.6)
W18 x 40	(W460 x 60)	6"	(152)	0.525	(13.3)	W30 x 124	(W760 x 185)	10 ¹ / ₂ "	(267)	0.930	(23.6)
W18 x 46	(W460 x 68)	6 ¹ / ₁₆ "	(154)	0.605	(15.4)	W30 x 132	(W760 x 196)	10 ⁹ / ₁₆ "	(268)	1.000	(25.4)
W18 x 50	(W460 x 74)	7 ¹ / ₂ "	(190)	0.570	(14.5)	W30 x 173	(W760 x 257)	15"	(381)	1.065	(27.1)
W18 x 55	(W460 x 82)	7 ¹ / ₂ "	(190)	0.630	(16.0)	W30 x 191	(W760 x 284)	15"	(381)	1.185	(30.1)
W18 x 60	(W460 x 89)	7 ⁹ / ₁₆ "	(192)	0.695	(17.7)	W30 x 211	(W760 x 314)	15 ¹ / ₈ "	(384)	1.315	(33.4)
W18 x 65	(W460 x 97)	7 ⁹ / ₁₆ "	(192)	0.750	(19.0)	W33 x 118	(W840 x 176)	11 ¹ / ₂ "	(292)	0.740	(18.8)
W18 x 71	(W460 x 106)	7 ⁵ / ₈ "	(193)	0.810	(20.6)	W33 x 130	(W840 x 193)	11 ¹ / ₂ "	(292)	0.855	(21.7)
W18 x 76	(W460 x 113)	11"	(279)	0.680	(17.3)	W33 x 141	(W840 x 210)	11 ¹ / ₂ "	(292)	0.960	(24.4)
W18 x 86	(W460 x 128)	11 ¹ / ₁₆ "	(281)	0.770	(19.6)	W33 x 152	(W840 x 226)	11 ⁹ / ₁₆ "	(294)	1.055	(26.8)
W18 x 97	(W460 x 144)	11 ¹ / ₈ "	(282)	0.870	(22.1)	W33 x 201	(W840 x 299)	15 ³ / ₄ "	(400)	1.150	(29.2)
W18 x 106	(W460 x 158)	11 ³ / ₁₆ "	(284)	0.940	(23.9)	W36 x 135	(W920 x 201)	11 ¹⁵ / ₁₆ "	(303)	0.790	(20.1)
W18 x 119	(W460 x 177)	11 ¹ / ₄ "	(286)	1.060	(26.9)	W36 x 150	(W920 x 223)	12"	(305)	0.940	(23.9)
W21 x 44	(W530 x 66)	6 ¹ / ₂ "	(165)	0.450	(11.4)	W36 x 160	(W920 x 238)	12"	(305)	1.020	(25.9)
W21 x 50	(W530 x 74)	6 ¹ / ₂ "	(165)	0.535	(13.6)	W36 x 170	(W920 x 253)	12"	(305)	1.100	(27.9)
W21 x 57	(W530 x 85)	6 ⁹ / ₁₆ "	(167)	0.650	(16.5)	W36 x 182	(W920 x 271)	12 ¹ / ₁₆ "	(306)	1.180	(30.0)
W21 x 62	(W530 x 92)	8 ¹ / ₄ "	(209)	0.615	(15.6)	W36 x 194	(W920 x 289)	12 ¹ / ₈ "	(308)	1.260	(32.0)
W21 x 68	(W530 x 101)	8 ¹ / ₄ "	(209)	0.685	(17.4)	W36 x 210	(W920 x 313)	12 ³ / ₁₆ "	(309)	1.360	(34.5)

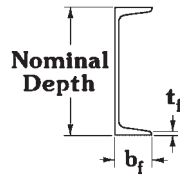
Dimensions taken from ASTM A6-86.



American Standard 'S' shape I-beams

Designation		Flange Width		Flange thickness	
Nominal Depth & Weight		b_f		t_f	
In. x Lbs./Ft.	(mm x kg/m)	in.	mm	in.	mm
S3 x 5.7	(S75 x 8.5)	2 ³ / ₈ "	(59)	0.260	(6.6)
S3 x 7.5	(S75 x 11.2)	2 ¹ / ₂ "	(63)	0.260	(6.6)
S4 x 7.7	(S100 x 11.5)	2 ⁵ / ₈ "	(68)	0.293	(7.4)
S4 x 9.5	(S100 x 14.1)	2 ³ / ₄ "	(71)	0.293	(7.4)
S5 x 10	(S130 x 15)	3"	(76)	0.326	(8.3)
S5 x 14.75	(S130 x 22)	3 ¹ / ₄ "	(83)	0.326	(8.3)
S6 x 12.5	(S150 x 18.6)	3 ³ / ₈ "	(85)	0.359	(9.1)
S6 x 17.25	(S150 x 25.7)	3 ¹¹ / ₁₆ "	(91)	0.359	(9.1)
S7 x 15.3	(S180 x 22.8)	3 ⁵ / ₈ "	(93)	0.392	(10.0)
S7 x 20	(S180 x 29.8)	3 ⁷ / ₈ "	(98)	0.392	(10.0)
S8 x 18.4	(S200 x 27.4)	4"	(102)	0.425	(10.8)
S8 x 23	(S200 x 34)	4 ¹ / ₈ "	(106)	0.425	(10.8)
S10 x 25.4	(S250 x 37.8)	4 ⁵ / ₈ "	(118)	0.491	(12.5)
S10 x 35	(S250 x 52)	4 ¹⁵ / ₁₆ "	(126)	0.491	(12.5)
S12 x 31.8	(S310 x 47.3)	5"	(127)	0.544	(13.8)
S12 x 35	(S310 x 52)	5 ¹ / ₁₆ "	(129)	0.544	(13.8)
S12 x 40.8	(S310 x 60.7)	5 ¹ / ₄ "	(133)	0.659	(16.7)
S12 x 50	(S310 x 74)	5 ¹ / ₂ "	(139)	0.659	(16.7)
S15 x 42.9	(S380 x 64)	5 ¹ / ₂ "	(140)	0.622	(15.8)
S15 x 50	(S380 x 74)	5 ⁵ / ₈ "	(143)	0.622	(15.8)
S18 x 54.7	(S460 x 81.4)	6"	(152)	0.691	(17.6)
S18 x 70	(S460 x 104)	6 ¹ / ₄ "	(159)	0.691	(17.6)
S20 x 66	(S510 x 98.2)	6 ¹ / ₄ "	(159)	0.795	(20.2)
S20 x 75	(S510 x 112)	6 ³ / ₈ "	(162)	0.795	(20.2)
S20 x 86	(S510 x 128)	7 ¹ / ₁₆ "	(179)	0.920	(23.4)
S20 x 96	(S510 x 143)	7 ³ / ₁₆ "	(183)	0.920	(23.4)
S24 x 80	(S610 x 119)	7"	(178)	0.870	(22.1)
S24 x 90	(S610 x 134)	7 ¹ / ₈ "	(181)	0.870	(22.1)
S24 x 100	(S610 x 149)	7 ¹ / ₄ "	(184)	0.870	(22.1)
S24 x 106	(S610 x 158)	7 ⁷ / ₈ "	(200)	1.090	(27.7)
S24 x 121	(S610 x 180)	8 ¹ / ₁₆ "	(204)	1.090	(27.7)

Dimensions taken from ASTM A6-86.



American Standard 'C' Shape I-Beams

Designation Nominal Depth & Weight In. x Lbs./Ft.(mm x kg/m)	Flange Width b_f		Flange thickness t_f	
	in.	mm	in.	mm
C3 x 4.1 (C75 x 6.1)	1 ³ / ₈ "	(35)	0.273	(6.9)
C3 x 5 (C75 x 7.4)	1 ¹ / ₂ "	(37)	0.273	(6.9)
C3 x 6 (C75 x 8.9)	1 ⁵ / ₈ "	(40)	0.273	(6.9)
C4 x 5.4 (C100 x 8)	1 ⁹ / ₁₆ "	(40)	0.296	(7.5)
C4 x 7.25 (C100 x 10.8)	1 ³ / ₄ "	(44)	0.296	(7.5)
C5 x 6.7 (C130 x 10)	1 ³ / ₄ "	(44)	0.320	(8.1)
C5 x 9 (C130 x 13.4)	1 ⁷ / ₈ "	(47)	0.320	(8.1)
C6 x 8.2 (C150 x 12.2)	1 ¹⁵ / ₁₆ "	(48)	0.343	(8.7)
C6 x 10.5 (C150 x 15.6)	2"	(51)	0.343	(8.7)
C6 x 13 (C150 x 19.3)	2 ¹ / ₈ "	(54)	0.343	(8.7)
C7 x 9.8 (C180 x 14.6)	2 ¹ / ₁₆ "	(53)	0.366	(9.3)
C7 x 12.25 (C180 x 18.2)	2 ³ / ₁₆ "	(55)	0.366	(9.3)
C7 x 14.75 (C180 x 22)	2 ¹ / ₄ "	(57)	0.366	(9.3)
C8 x 11.5 (C200 x 17.1)	2 ¹ / ₄ "	(57)	0.390	(9.9)
C8 x 13.75 (C200 x 20.5)	2 ³ / ₈ "	(59)	0.390	(9.9)
C8 x 18.75 (C200 x 27.9)	2 ¹ / ₂ "	(63)	0.390	(9.9)
C9 x 13.4 (C230 x 19.9)	2 ⁷ / ₁₆ "	(61)	0.413	(10.5)
C9 x 15 (C230 x 22)	2 ¹ / ₂ "	(63)	0.413	(10.5)
C9 x 20 (C230 x 30)	2 ⁵ / ₈ "	(67)	0.413	(10.5)
C10 x 15.3 (C250 x 22.8)	2 ⁵ / ₈ "	(67)	0.436	(11.1)
C10 x 20 (C250 x 30)	2 ³ / ₄ "	(69)	0.436	(11.1)
C10 x 25 (C250 x 37)	2 ⁷ / ₈ "	(73)	0.436	(11.1)
C10 x 30 (C250 x 45)	3"	(76)	0.436	(11.1)
C12 x 20.7 (C310 x 30.8)	2 ¹⁵ / ₁₆ "	(74)	0.501	(12.7)
C12 x 25 (C310 x 37)	3"	(76)	0.501	(12.7)
C12 x 30 (C310 x 45)	3 ¹ / ₈ "	(80)	0.501	(12.7)
C15 x 33.9 (C380 x 50.4)	3 ³ / ₈ "	(86)	0.650	(16.5)
C15 x 40 (C380 x 60)	3 ¹ / ₂ "	(89)	0.650	(16.5)
C15 x 50 (C380 x 74)	3 ³ / ₄ "	(94)	0.650	(16.5)
C18 x 42.7 (C460 x 63.5)	4"	(102)	0.625	(15.8)
C18 x 45.8 (C460 x 68.1)	4"	(102)	0.625	(15.8)
C18 x 51.9 (C460 x 77.2)	4 ¹ / ₈ "	(106)	0.625	(15.8)
C18 x 58 (C460 x 86.3)	4 ¹ / ₄ "	(112)	0.625	(15.8)

Trapeze hangers using B-Line series strut or angle iron

Trapeze Length		Nominal Pipe Size			
		2 1/2" (65) or less	3" (80)	3 1/2" (90)	4" (100)
18"	(457.2)	1 1/2" x 1 1/2" x 3/16" B26SH	1 1/2" x 1 1/2" x 3/16" B26SH	1 1/2" x 1 1/2" x 3/16" B26SH	2" x 1 1/2" x 3/16" B22SH
24"	(609.6)	1 1/2" x 1 1/2" x 3/16" B26SH	2" x 1 1/2" x 3/16" B22SH	2" x 1 1/2" x 3/16" B22SH	2" x 1 1/2" x 3/16" B22SH
30"	(762.0)	2" x 1 1/2" x 3/16" B22SH	2" x 1 1/2" x 3/16" B22SH	2" x 1 1/2" x 3/16" B22SH	2" x 1 1/2" x 3/16" B22SH
36"	(914.4)	2" x 1 1/2" x 3/16" B22SH	2" x 1 1/2" x 3/16" B22SH	2 1/2" x 1 1/2" x 3/16" B12SH	2 1/2" x 1 1/2" x 3/16" B12SH
48"	(1219.2)	2 1/2" x 1 1/2" x 3/16" B12SH	2 1/2" x 1 1/2" x 3/16" B12SH	2 1/2" x 1 1/2" x 3/16" B12SH	3" x 2" x 3/16" B11SH
60"	(1524.0)	2 1/2" x 1 1/2" x 3/16" B12SH	2 1/2" x 1 1/2" x 3/16" B12SH	3" x 2" x 3/16" B11SH	3" x 2" x 3/16" B11SH
72"	(1828.8)	2 1/2" x 1 1/2" x 3/16" B12SH	3" x 2" x 3/16" B11SH	3" x 2" x 3/16" B11SH	3" x 2" x 1/4" B11SH
84"	(2133.6)	3" x 2" x 3/16" B11SH	3" x 2" x 3/16" B11SH	3" x 2" x 1/4" B11SH	3" x 2" x 1/4" B11SH
96"	(2438.4)	3" x 2" x 3/16" B11SH	3" x 2" x 1/4" B11SH	3" x 2" x 1/4" B11SH	3 1/2" x 2 1/2" x 5/16" B12SHA
108"	(2743.2)	3" x 2" x 3/16" B11SH	3" x 2" x 1/4" B11SH	3 1/2" x 2 1/2" x 5/16" B12SHA	3 1/2" x 2 1/2" x 5/16" B12SHA
120"	(3048.0)	3" x 2" x 1/4" B11SH	3" x 2" x 1/4" B11SH	3 1/2" x 2 1/2" x 5/16" B12SHA	3 1/2" x 2 1/2" x 5/16" B12SHA

Based on NFPA 13-1999, Table 6-1.1.3 (a) & Table 6-1.1.3 (b).

Trapeze hangers using B-Line series strut or angle iron

Trapeze Length in. (mm)	Nominal Pipe Size			
	5" (125) or less	6" (150)	8" (200)	10" (250)
18" (457.2)	2" x 1 1/2" x 3/16" B22SH	2 1/2" x 1 1/2" x 3/16" B12SH	3" x 2" x 3/16" B11SH	3" x 2" x 1/4" B11SH
24" (609.6)	2 1/2" x 1 1/2" x 3/16" B12SH	2 1/2" x 1 1/2" x 3/16" B12SH	3" x 2" x 3/16" B11SH	3" x 2" x 1/4" B11SH
30" (762.0)	2 1/2" x 1 1/2" x 3/16" B12SH	3" x 2" x 3/16" B11SH	3" x 2" x 1/4" B11SH	3" x 2" x 1/4" B11SH
36" (914.4)	3" x 2" x 3/16" B11SH	3" x 2" x 3/16" B11SH	3 1/2" x 2 1/2" x 1/4" B12SHA	3 1/2" x 2 1/2" x 5/16" B12SHA
48" (1219.2)	3" x 2" x 3/16" B11SH	3" x 2" x 1/4" B11SH	3 1/2" x 2 1/2" x 5/16" B12SHA	4" x 3" x 5/16" B12SHA
60" (1524.0)	3" x 2" x 1/4" B11SH	3 1/2" x 2 1/2" x 5/16" B12SHA	4" x 3" x 5/16" B12SHA	5" x 3 1/2" x 5/16" B11SHA
72" (1828.8)	3 1/2" x 2 1/2" x 5/16" B12SHA	4" x 3" x 5/16" B12SHA	4" x 3" x 5/16" B12SHA	5" x 3 1/2" x 5/16" B11SHA
84" (2133.6)	3 1/2" x 2 1/2" x 5/16" B12SHA	4" x 3" x 5/16" B12SHA	5" x 3 1/2" x 5/16" B11SHA	6" x 4" x 1/4" B12SHA4
96" (2438.4)	3 1/2" x 2 1/2" x 5/16" B12SHA	4" x 3" x 5/16" B12SHA	5" x 3 1/2" x 5/16" B11SHA	6" x 4" x 1/4" B12SHA4
108" (2743.2)	3 1/2" x 2 1/2" x 5/16" B12SHA	4" x 3" x 5/16" B12SHA	5" x 3 1/2" x 5/16" B11SHA	6" x 4" x 3/8" B11SHA4
120" (3048.0)	4" x 3" x 5/16" B12SHA	5" x 3 1/2" x 5/16" B11SHA	6" x 4" x 1/4" B12SHA4	6" x 4" x 3/8" B11SHA4

Based on NFPA 13-1999, Table 6-1.1.3 (a) & Table 6-1.1.3 (b).

MSS To B-Line series & Federal Specification Cross Reference

MSS SP-69 MSS SP-58	B-Line series Part No.	A-A-1192A WW-H-171E	MSS SP-69 MSS SP-58	B-Line series Part No.	A-A-1192A WW-H-171E
Type 1	B3100	Type 1	Type 19	B321	Type 19
Type 1	B3100C	Type 1	Type 19	B3031	Type 19
Type 1	B3100F	Type 1	Type 19 & 23	B3033	Type 19 & 23
Type 1	B3102	Type 1	Type 19 & 23	B3034	Type 19 & 23
Type 1 *	B3104	Type 12	Type 21	B3050	Type 21
Type 1	B3104CT	Type 12	Type 21	B3055	Type 21
Type 1	B3106	—	Type 22	B3083	Type 22
Type 1	B3108	Type 1	Type 23	B351L	Type 23
Type 1	B3109	—	Type 23	B3036L	Type 23
Type 3	B3144	Type 3	Type 23	B3037	Type 23
Type 3	B3146	Type 3	Type 24	B3188	Type 24
Type 4	B3140	Type 4	Type 24	B3188C	Type 24
Type 4	B3141	Type 4	Type 25	B3045	Type 53
Type 4	B3142	Type 4	Type 26	B2400	Type 26
Type 5	B3690	—	Type 26	B3180	Type 26
Type 5	B3690C	—	Type 26	B3180FL	Type 26
Type 5	B3690F	—	Type 27	B3040	Type 54
Type 6	B3171	Type 6	Type 28	B3291, B3292 B3294, B3296 B3298	Type 28
Type 8	B3373	Type 8	Type 29	B3293, B3295 B3297	Type 29
Type 8	B3373C	Type 8	Type 30	B3054	Type 30
Type 8	B3373CT	Type 8	Type 31	B3065	Type 32
Type 8	B3373CTC	Type 8	Type 31	B3068	Type 32
Type 10	200	Type 10	Type 32	B3066	Type 33
Type 10	200C	Type 10	Type 33	B3067	Type 34
Type 10	200F	Type 10	Type 34	B3058	Type 35
Type 10	200H	Type 10	Type 34	B3060	Type 35
Type 10	2	Type 10	Type 34	B3060L	Type 35
Type 10	B3170CT	Type 10	Type 34	B3062	Type 35
Type 10	B3170CTC	Type 10	Type 34	B3070	Type 35
Type 10	2F	Type 10	Type 35	B3891-B3897	Type 35
Type 12	B3198H	Type 25	Type 35	B3991 & B3993	Type 35
Type 12	B3198HCT	Type 25	Type 36	B3095	Type 37
Type 12	B3198R	Type 25	Type 37	B3090	Type 38
Type 12	B3198RCT	Type 25	Type 37	B3092	Type 38
Type 13	B3202	Type 13	Type 37	B3094	Type 38
Type 14	B3201	Type 14	Type 37	B3097	Type 38
Type 15	B3224	Type 15	Type 38	B3093	Type 39
Type 15	B3224CT	Type 15	Type 38	B3096	Type 39
Type 16	B3222	Type 16	Type 39A & 39B	B3160-B3165	Type 40A & 40B
Type 17	B3200	Type 17	Type 40	B3151	Type 41
Type 18	B221, B321, B521	—	Type 41	B3114	Type 42
Type 18	B2500	Type 19	Type 41	B3122	Type 42
Type 18	B2503	—	Type 41	B3122A	Type 42
Type 18	B2505-B2508	—	Type 43	B3110	Type 44
Type 18	B3014	Type 18	Type 44	B3117SL	Type 45
Type 19	65	Type 23	Type 44	B3120	Type 45
Type 19	65XT	Type 23	Type 45	B3119SL	Type 46
Type 19	66	Type 23	Type 46	B3118SL	Type 47
Type 19	67SS	—	Type 48	B3262	Type 49
Type 19	68S	Type 23	Type 49	B3264	Type 50
Type 19	68SS	—	Type 57	B3080S & L	—
Type 19	68W	Type 23			
Type 19	B303-B309	Type 19			

* For all finishes excluding plain.

Federal specification to B-Line series & MSS cross reference

A-A-1192A WW-H-171E	B-Line series Part No.	MSS SP-69 MSS SP-58	A-A-1192A WW-H-171E	B-Line series Part No.	MSS SP-69 MSS SP-58
—	B3106	Type 1	Type 23	65 & 65XT	Type 19
—	B3109	Type 1	Type 23	66	Type 19
—	B3690	Type 5	Type 23	68S & 68W	Type 19
—	B3690C	Type 5	Type 23	B351L	Type 23
—	B3690F	Type 5	Type 23	B3036L	Type 23
—	B22I, B32I, B52I	Type 18	Type 23	B3037	Type 23
—	B2503	Type 18	Type 24	B3188	Type 24
—	B2505-B2508	Type 18	Type 24	B3188C	Type 24
—	67SS	Type 19	Type 25	B3198H	Type 12
—	68SS	Type 19	Type 25	B3198HCT	Type 12
—	B3080 S & L	Type 57	Type 25	B3198R	Type 12
Type 1	1NFPA	Type 1	Type 25	B3198RCT	Type 12
Type 1	B3100	Type 1	Type 26	B2400	Type 26
Type 1	B3100C	Type 1	Type 26	B3180	Type 26
Type 1	B3100F	Type 1	Type 26	B3180FL	Type 26
Type 1	B3102	Type 1		B3291, B3292	
Type 1	B3104	Type 1	Type 28	B3294, B3296	Type 28
Type 1	B3108	Type 1		B3298	
Type 3	B3144	Type 3	Type 29	B3293, B3295	Type 29
Type 3	B3146	Type 3		B3297	
Type 4	B3140	Type 4	Type 30	B3054	Type 30
Type 4	B3141	Type 4	Type 32	B3065	Type 31
Type 4	B3142	Type 4	Type 32	B3068	Type 31
Type 6	B3171	Type 6	Type 33	B3066	Type 32
Type 8	B3373	Type 8	Type 34	B3067	Type 33
Type 8	B3373C	Type 8	Type 35	B3058	Type 34
Type 8	B3373CT	Type 8	Type 35	B3060	Type 34
Type 8	B3373CTC	Type 8	Type 35	B3060L	Type 34
Type 10	200	Type 10	Type 35	B3062	Type 34
Type 10	200C	Type 10	Type 35	B3070	Type 34
Type 10	200F	Type 10	Type 35	B3891-B3897	Type 35
Type 10	200H	Type 10	Type 35	B3991 & B3993	Type 35
Type 10	2 & 2F	Type 10	Type 37	B3095	Type 36
Type 10	B3170CT	Type 10	Type 38	B3090	Type 37
Type 10	B3170CTC	Type 10	Type 38	B3092	Type 37
Type 12	B3104	Type 1*	Type 38	B3094	Type 37
Type 12	B3104C	Type 1*	Type 38	B3097	Type 37
Type 12	B3104CT	Type 1	Type 39	B3093	Type 38
Type 13	B3202	Type 13	Type 39	B3096	Type 38
Type 14	B3201	Type 14	Type 40A & 40B	B3160-3165	Type 39A & 39B
Type 15	B3224	Type 15	Type 41	B3151	Type 40
Type 15	B3224CT	Type 15	Type 42	B3114	Type 41
Type 16	B3222	Type 16	Type 42	B3122	Type 41
Type 17	B3200	Type 17	Type 42	B3122A	Type 41
Type 18	B3014	Type 18	Type 44	B3110	Type 43
Type 19	B303-B309	Type 19	Type 45	B3117SL	Type 44
Type 19	B321	Type 19	Type 45	B3120	Type 44
Type 19	B2500	Type 18	Type 46	B3119SL	Type 45
Type 19	B3031	Type 19	Type 47	B3118SL	Type 46
Type 19 & 23	B3033	Type 19 & 23	Type 49	B3262	Type 48
Type 19 & 23	B3034	Type 19 & 23	Type 50	B3264	Type 49
Type 21	B3050	Type 21	Type 53	B3045	Type 25
Type 21	B3055	Type 21	Type 54	B3040	Type 27
Type 22	B3083	Type 22			

* For all finishes excluding plain.

Reference Data

B-Line series compliances & approvals

Part No.	ANSI/MSS SP-69	A-A-1192A	UL Listed	FM Approved
	ANSI/MSS SP-58	WW-H-171E		
1NFPA	Type 1	Type 1	Yes	Yes
2	Type 10	Type 10	Yes	Yes
2F	Type 10	Type 10	Yes	Yes
4B	—	—	Yes	—
4L	—	—	Yes	Yes
22	—	—	Yes	—
22L2	—	—	Yes	—
23	—	—	Yes	—
24	—	—	Yes	—
25	—	—	Yes	—
28	—	—	Yes	—
28M	—	—	Yes	—
29	—	—	Yes	—
50	—	—	Yes	Yes
51	—	—	Yes	Yes
56	—	—	Yes	Yes
58	—	—	Yes	Yes
65	—	—	Yes	—
65XT	—	—	Yes	Yes
66	—	—	Yes	—
67SS	—	—	Yes	—
68S	Type 19 & 23	Type 19 & 23	Yes	Yes
68SS	—	—	Yes	—
68W	Type 19 & 23	Type 19 & 23	Yes	Yes
69	—	—	Yes	—
69R	—	—	Yes	—
75	—	—	Yes	—
78	—	—	Yes	—
120RWA	—	—	Yes	—
130	—	—	Yes	Yes
200	Type 10	Type 10	Yes	Yes
200C	Type 10	Type 10	—	—
200F	Type 10	Type 10	—	—
200H	Type 10	Type 10	Yes	—
200M	Type 10	Type 10	Yes	Yes
800	—	—	Yes	Yes
825	—	—	Yes	Yes
825A	—	—	Yes	—
828	—	—	Yes	Yes
906	—	—	Yes	—
909	—	—	Yes	—
910	—	—	Yes	—
975	—	—	Yes	—

Part No.	ANSI/MSS SP-69	A-A-1192A	UL Listed	FM Approved
	ANSI/MSS SP-58	WW-H-171E		
980	—	—	Yes	Yes
980H	—	—	—	—
1000	—	—	Yes	Yes
1001	—	—	Yes	Yes
2002	—	—	Yes	—
B22I	Type 18	—	—	—
B32I	Type 18	—	—	—
B52I	Type 18	—	—	—
B351L	Type 23	Type 23	Yes	—
B2400	Type 26	Type 26	Yes	—
B2500	Type 18	Type 19	Yes	—
B2501	—	—	Yes	—
B2503	Type 18	—	—	—
B2505-B2508	Type 18	—	Yes	—
B3014	Type 18	Type 18	Yes	—
B3031	Type 19	Type 19	Yes	—
B3033	Type 19 & 23	Type 19 & 23	Yes	Yes
B3034	Type 19 & 23	Type 19 & 23	Yes	Yes
B3036L	Type 23	Type 23	Yes	—
B3037	Type 23	Type 23	Yes	—
B3040	Type 27	Type 27	—	—
B3042T	—	—	Yes	—
B3045	Type 25	Type 53	—	—
B3050	Type 21	Type 21	—	—
B3054	Type 30	Type 30	Yes	—
B3055	Type 21	Type 21	—	—
B3058	Type 34	Type 35	—	—
B3060	Type 34	Type 35	—	—
B3060L	Type 34	Type 35	—	—
B3062	Type 34	Type 35	—	—
B3065	Type 31	Type 32	—	—
B3066	Type 32	Type 33	—	—
B3067	Type 33	Type 34	—	—
B3068	Type 31	Type 32	—	—
B3070	Type 34	Type 35	—	—
B3080S & L	Type 57	—	—	—
B3083	Type 22	Type 22	—	—
B3090	Type 37	Type 38	—	—
B3092	Type 37	Type 38	—	—
B3093	Type 38	Type 39	—	—
B3094	Type 37	Type 38	—	—
B3095	Type 36	Type 37	—	—
B3096	Type 38	Type 39	—	—

Note: Refer to the catalog page for specific sizes that are UL Listed and/or FM Approved.

B-Line series Compliances & Approvals

Part No.	ANSI/MSS SP-69	A-A-1192A	UL Listed	FM Approved
	ANSI/MSS SP-58	WW-H-171E		
B3097	Type 37	Type 38	—	—
B3100	Type 1	Type 1	Yes	Yes
B3100C	Type 1	Type 1	—	—
B3100F	Type 1	Type 1	—	—
B3102	Type 1	—	—	—
B3104	Type 1*	Type 12	Yes	—
B3104C	Type 1*	Type 12	—	—
B3104CT	Type 1	Type 12	—	—
B3104CTC	Type 1	Type 12	—	—
B3104F	Type 1*	Type 12	—	—
B3106	Type 1	—	—	—
B3108	Type 1	Type 1	—	—
B3109	Type 1	—	—	—
B3110	Type 43	Type 44	—	—
B3114	Type 41	Type 42	—	—
B3117SL	Type 44	Type 45	—	—
B3118SL	Type 46	Type 47	—	—
B3119SL	Type 45	Type 46	—	—
B3120	Type 44	Type 45	—	—
B3122	Type 41	Type 42	—	—
B3122A	Type 41	Type 42	—	—
B3140	Type 4	Type 4	Yes	Yes
B3141	Type 4	Type 4	—	—
B3142	Type 4	Type 4	—	—
B3144	Type 3	Type 3	—	—
B3146	Type 3	Type 3	—	—
B3151	Type 40	Type 41	—	—
B3160-B3165	Type 39A & 39B	Type 40A & 40B	—	—
B3170CT	Type 10	Type 10	—	—
B3170CTC	Type 10	Type 10	—	—
B3180	Type 26	Type 26	—	—
B3180FL	Type 26	Type 26	—	—
B3184	—	—	Yes	—
B3188	Type 24	Type 24	Yes	—
B3188C	Type 24	Type 24	—	—
B3198H	Type 12	Type 25	—	—
B3198HCT	Type 12	Type 25	—	—
B3198R	Type 12	Type 25	—	—
B3198RCT	Type 12	Type 25	—	—
B3200	Type 17	Type 17	—	—
B3201	Type 14	Type 14	—	—
B3202	Type 13	Type 13	—	—

Part No.	ANSI/MSS SP-69	A-A-1192A	UL Listed	FM Approved
	ANSI/MSS SP-58	WW-H-171E		
B3203	—	—	Yes	—
B3222	Type 16	Type 16	Yes	—
B3223	—	—	Yes	—
B3224	Type 15	Type 15	—	—
B3224CT	Type 15	Type 15	—	—
B3262	Type 48	Type 49	—	—
B3264	Type 49	Type 50	—	—
B3291, B3292				
B3294, B3296	Type 28	Type 28	—	—
B3298				
B3293, B3295	Type 29	Type 29	—	—
B3297				
B3373	Type 8	Type 8	Yes	Yes
B3373C	Type 8	Type 8	—	—
B3373CT	Type 8	Type 8	—	—
B3373CTC	Type 8	Type 8	—	—
B3373F	Type 8	Type 8	—	—
B3690	Type 5	Type 5	—	—
B3690C	Type 5	Type 5	—	—
B3690F	Type 5	Type 5	—	—
B3891-B3897	Type 35	Type 35	—	—
B3991	Type 35	Type 35	—	—
B3993	Type 35	Type 35	—	—
B3993A	Type 35	Type 35	—	—

Note: Refer to the catalog page for specific sizes that are UL Listed and/or FM Approved.

Reference Data - B-Line series to TOLCO cross

B-Line series	TOLCO	B-Line series	TOLCO	B-Line series	TOLCO
1CBS	1CBS	909	909	B3031	N/A
1U (Disc.)	1U (Disc.)	910	910	B3033	68, 68W
4A (Disc.)	4A (Disc.)	975	975	B3034	68S
4B	4B	980	980	B3036L	N/A
4L	4L	980H	980H	B3037	N/A
4LA (Disc.)	4LA (Disc.)	981	981	B3040	336 (Disc.)
22	22	985	985	B3042	61 (Disc.)
22L2	22L2	986	986	B3042T	61T (Disc.)
23	23	990	990	B3045	335 (Disc.)
24	24	990H	990H	B3050	62 (Disc.)
25	25	991	991	B3052 (Disc.)	130
27B	27B	1000	1000	B3054	329 (Disc.)
28	28	1001	1001	B3055	N/A
28M	28M	2002	2002	B3058	N/A
29	29	ATR	99	B3060	50
50	60	ATR	100 (Disc.)	B3060L	N/A
51	51	AWA	209 (Disc.)	B3061	42 (Disc.)
56	56	B22I	N/A	B3062	N/A
58	58	B32I	N/A	B3064	N/A
65	65	B52I	N/A	B3065	30L (Disc.)
65XT	65XT	B200	F13	B3066	30M (Disc.)
66	66	B201	F14	B3067	30H (Disc.)
67S	67S	B202	F15	B3068	30 (Disc.)
67SS	67SS	B202-1	F16	B3069E	31-O (Disc.)
68SS	68SS	B202-2	F17	B3069W	31-M (Disc.)
68W	68W	B218	ROL-12	B3070	52 (Disc.)
69	69	B219	ROL-13	B3080 L & S	343 (Disc.)
69R	69R	B303 - B309	N/A	B3082	337 (Disc.)
75	75	B312 Series	N/A	B3083	305 (Disc.)
78	78	B321 Series	N/A	B3083WO	304 (Disc.)
98	98	B351L	64 (Disc.)	B3084	33 (Disc.)
98B	98B	B379	ROL-14	B3085	35 (Disc.)
109A	109A	B386 (Disc.)	4B	B3086	34 (Disc.)
109AF	109AF	B479	ROL-14	B3088	316 (Disc.)
120	120	B501	111 (Disc.)	B3088S	N/A
120MJ	120MJ	B655	70 (Disc.)	B3088ST	N/A
120RWA	120RWA	B656	70R (Disc.)	B3088T	316T (Disc.)
120W	120W	B1999	N/A	B3089	319 (Disc.)
200	200	B2400	2STR	B3090	318 (Disc.)
200C	200C	B2417	N/A	B3092	318A (Disc.)
200F	200H	B2499	107F (Disc.)	B3093	317A (Disc.)
200H	200H	B2500	310 (Disc.)	B3094	314 (Disc.)
800	800	B2501 (Disc.)	109AF	B3095	317 (Disc.)
825	825	B2503	N/A	B3096	312 (Disc.)
825A	825A	B2505 - B2508	N/A	B3097	311 (Disc.)
828	828	B3014	309 (Disc.)		
906	906	B3014N	309N (Disc.)		
907	907	B3019	109A		

(Disc.) = Discontinued Item

Reference Data - B-Line series to TOLCO cross

B-Line series	TOLCO	B-Line series	TOLCO	B-Line series	TOLCO
B3098	313 (Disc.)	B3162	262 (Disc.)	B3234	116 (Disc.)
B3100	1 (Disc.)	B3163	263 (Disc.)	B3248	118 (Disc.)
B3100C	1PVC (Disc.)	B3164	264 (Disc.)	B3256	405 (Disc.)
B3100F	1F (Disc.)	B3165	265 (Disc.)	B3257	406 (Disc.)
B3100PS (Disc.)	1CBS	B3170 (Disc.)	2	B3262	506 (Disc.)
B3102	1CI (Disc.)	B3170CT	202 (Disc.)	B3264	500 (Disc.)
B3104	1LD (Disc.)	B3170CTC	N/A	B3281 - B3287	420 (Disc.)
B3104C	N/A	B3170F (Disc.)	2F	B3281 - B3287	421 (Disc.)
B3104CT	81 (Disc.)	B3170NF (Disc.)	200	B3281 - B3287	422 (Disc.)
B3104CTC	81PVC (Disc.)	B3170NF (Disc.)	200R (Disc.)	B3281 - B3287	422C (Disc.)
B3104F	N/A	B3170NFC (Disc.)	200C	B3291 - B3298	N/A
B3106	1V (Disc.)	B3170NFF (Disc.)	200F	B3362 - B3365	N/A
B3106V	1VT (Disc.)	B3171	N/A	B3367 (Disc.)	69
B3108	1A (Disc.)	B3175	N/A	B3373	6 (Disc.)
B3109	N/A	B3175CT	N/A	B3373C	6PVC (Disc.)
B3110	324 (Disc.)	B3180	20 (Disc.)	B3373CT	82 (Disc.)
B3114	322 (Disc.)	B3180FL	20S (Disc.)	B3373CTC	82PVC (Disc.)
B3114R	N/A	B3181 (Disc.)	22	B3373F	6F (Disc.)
B3117R	N/A	B3182 (Disc.)	23	B3380 - B3387	N/A
B3117SL	327 (Disc.)	B3183 (Disc.)	24	B3690	3 (Disc.)
B3118SL	328 (Disc.)	B3184	N/A	B3690C	3PVC (Disc.)
B3119SL	N/A	B3188	110 (Disc.)	B3690F	3F (Disc.)
B3120	325 (Disc.)	B3188C	N/A	B3891	425 (Disc.)
B3122	326 (Disc.)	B3190	40 (Disc.)	B3891	426 (Disc.)
B3122A	N/A	B3191	41 (Disc.)	B3891	429 (Disc.)
B3124	N/A	B3195	84 (Disc.)	B3892	430 (Disc.)
B3126	ROL-16	B3195CT	83 (Disc.)	B3894	N/A
B3132	9 (Disc.)	B3198H	302 (Disc.)	B3895	N/A
B3132W-1 & 1 1/2	9X (Disc.)	B3198HCT	301CT (Disc.)	B3993-10	428 (Disc.)
B3134	14 (Disc.)	B3199R	78	B3393-10/B3393-10B	431 (Disc.)
B3134W	14X (Disc.)	B3199RCT	N/A	DS15x2	125 (Disc.)
B3140	4 (Disc.)	B3200	330 (Disc.)	DURA-BLOK™	Pipe Pier (Disc.)
B3140C	4PVC (Disc.)	B3201	332 (Disc.)	FFW	119 (Disc.)
B3140F	4F (Disc.)	B3202	331 (Disc.)	FW	115 (Disc.)
B3141	4CI (Disc.)	B3203	333 (Disc.)	HHN	114 (Disc.)
B3142	4H (Disc.)	B3205	103 (Disc.)	HN	113 (Disc.)
B3144	5 (Disc.)	B3210	102 (Disc.)	ISO	N/A
B3146	5H (Disc.)	B3210X	102L (Disc.)	KwikClips™	N/A
B3147A-1/2 thru 4	32-1 1/2 thru 4 (Disc.)	B3211	101 (Disc.)	LW	117 (Disc.)
B3147B 4 thru 24	32-5 thru 34 (Disc.)	B3211X	101L (Disc.)	N2500	310N (Disc.)
B3148	7 (Disc.)	B3212	104 (Disc.)	Snap 'N Shields™ Clevis Hangers	N/A
B3149	8 (Disc.)	B3213	105 (Disc.)	Snap 'N Shields™	N/A
B3151	220 (Disc.)	B3214	106 (Disc.)	Toggle Bolts	123 (Disc.)
B3153	219 (Disc.)	B3220	71 (Disc.)		
B3154	220 (Disc.)	B3222	307 (Disc.)		
B3155	219 (Disc.)	B3223	N/A		
B3160	260 (Disc.)	B3224	306 (Disc.)		
B3161	261 (Disc.)	B3227 (Disc.)	N/A		

(Disc.) = Discontinued Item

Reference Data - TOLCO to B-Line series cross

TOLCO	B-Line series	TOLCO	B-Line series	TOLCO	B-Line series
1 (Disc.)	B3100	31-O (Disc.)	B3069E	106 (Disc.)	B3214
1A (Disc.)	B3108	32-1/2 thru 4 (Disc.)	B3147A-1/2 thru 4	107F (Disc.)	B2499
1CBS	B3100PS (Disc.)			109A (Disc.)	B3019 (Disc.)
1CI (Disc.)	B3102	32-5 thru 34 (Disc.)	B3147B 5 thru 24	109AF (Disc.)	B2501
1F (Disc.)	B3100F			110 (Disc.)	B3188
1LD (Disc.)	B3104	33 (Disc.)	B3084	111 (Disc.)	B501
1NFPA	1NFPA	34 (Disc.)	B3086	113 (Disc.)	HN
1PVC (Disc.)	B3100C	35 (Disc.)	B3085	114 (Disc.)	HHN
1U (Disc.)	1U (Disc.)	40 (Disc.)	B3190	115 (Disc.)	FW
1V (Disc.)	B3106	41 (Disc.)	B3191	116 (Disc.)	B3234
1VT (Disc.)	B3106V	42 (Disc.)	B3061	117 (Disc.)	LW
2	B3170 (Disc.)	50	50	118 (Disc.)	B3248
2F	B3170F (Disc.)	51	51	119 (Disc.)	FFW
2FWON (Disc.)	N/A	52 (Disc.)	B3070	120	120
2WON	N/A	56	56	120MJ	120MJ
3 (Disc.)	B3690	58	58	120RWA	120RWA
3F (Disc.)	B3690F	60 (Disc.)	N/A	120W	120W
3PVC (Disc.)	B3690C	61 (Disc.)	B3042	122 (Disc.)	N/A
4 (Disc.)	B3140	61T (Disc.)	B3042T	123 (Disc.)	Toggle Bolts
4A (Disc.)	4A (Disc.)	62 (Disc.)	B3050	124 (Disc.)	Toggle Bolt Head
4B	B386 (Disc.)	64 (Disc.)	B351L	125 (Disc.)	DS15x2
4CI (Disc.)	B3141	65	65	126 (Disc.)	N/A
4F (Disc.)	B3140F	65XT	65XT	130	B3052 (Disc.)
4H (Disc.)	B3142	66	66	150 (Disc.)	N/A
4L	4L	67SS	67SS	200	B3170NF (Disc.)
4LA (Disc.)	4LA (Disc.)	68S	B3034	200C	B3170NFC (Disc.)
4PVC (Disc.)	B3140C	68SS	68SS	200F	B3170NFF (Disc.)
5 (Disc.)	B3144	68W	B3033	200H	200H
5H (Disc.)	B3146	69	B3367 (Disc.)	200R (Disc.)	B3170NF (Disc.)
6 (Disc.)	B3373	69R	69R	200WON (Disc.)	N/A
6F (Disc.)	B3373F	70 (Disc.)	B655	202 (Disc.)	B3170CT
6PVC (Disc.)	B3373C	70R (Disc.)	B656	203 (Disc.)	B3170NFC (Disc.)
7 (Disc.)	B3148	70S (Disc.)	B655	207 (Disc.)	N/A
8 (Disc.)	B3149	71 (Disc.)	B3220	209 (Disc.)	AWA
9 (Disc.)	B3132	75	75	219 (Disc.)	B3153
9X (Disc.)	B3132W-1 & 1 1/2	76	76	219 (Disc.)	B3155
14 (Disc.)	B3134	77	77	220 (Disc.)	B3151
14X (Disc.)	B3134W	78	78 & B3199	220 (Disc.)	B3154
20 (Disc.)	B3180	81 (Disc.)	B3104CT	260 (Disc.)	B3160
20S (Disc.)	B3180FL	81PVC (Disc.)	B3104CTC	261 (Disc.)	B3161
21 (Disc.)	N/A	82 (Disc.)	B3373CT	262 (Disc.)	B3162
22	B3181 (Disc.)	82PVC (Disc.)	B3373CTC	263 (Disc.)	B3163
22L2	22L2	83 (Disc.)	B3195CT	264 (Disc.)	B3164
23	B3182 (Disc.)	84 (Disc.)	B3195	265 (Disc.)	B3165
24	B3183 (Disc.)	98	98	301CT (Disc.)	B3198HCT
25	25	98B	98B	302 (Disc.)	B3198H
27B	27B	99	ATR	304 (Disc.)	B3083WO
28	28	100 (Disc.)	ATR	305 (Disc.)	B3083
28M	28M	101 (Disc.)	B3211	306 (Disc.)	B3224
29	29	101L (Disc.)	B3211X	307 (Disc.)	B3222
30 (Disc.)	B3068	102 (Disc.)	B3210	309 (Disc.)	B3014
30H (Disc.)	B3067	102L (Disc.)	B3210X	309N (Disc.)	B3014N
30L (Disc.)	B3065	103 (Disc.)	B3205	310 (Disc.)	B2500
30M (Disc.)	B3066	104 (Disc.)	B3212	310N (Disc.)	N2500
31-M (Disc.)	B3069W	105 (Disc.)	B3213	311 (Disc.)	B3097

Reference Data - TOLCO to B-Line series cross

TOLCO	B-Line series	TOLCO	B-Line series
312 (Disc.)	B3096	828	828
313 (Disc.)	B3098	906	906
314 (Disc.)	B3094	907	907
315 (Disc.)	N/A	909	909
316 (Disc.)	B3088	910	910
316T (Disc.)	B3088T	975	975
317 (Disc.)	B3095	980	980
317A (Disc.)	B3093	981	981
318 (Disc.)	B3090	985	985
318A (Disc.)	B3092	986	986
319 (Disc.)	B3089	990	990
322 (Disc.)	B3114	991	991
323 (Disc.)	N/A	1000	1000
324 (Disc.)	B3110	1001	1001
325 (Disc.)	B3120	2002	2002
326 (Disc.)	B3122	3000	3000
327 (Disc.)	B3117SL	Pipe Pier (Disc.)	DURA-BLOK
328 (Disc.)	B3118SL		
329 (Disc.)	B3054		
330 (Disc.)	B3200		
331 (Disc.)	B3202		
332 (Disc.)	B3201		
333 (Disc.)	B3203		
335 (Disc.)	B3045		
336 (Disc.)	B3040		
337 (Disc.)	B3082		
343 (Disc.)	B3080 L & S		
405 (Disc.)	B3256		
406 (Disc.)	B3257		
420 (Disc.)	B3281 - B3287		
421 (Disc.)	B3281 - B3287		
422 (Disc.)	B3281 - B3287		
422C (Disc.)	B3281 - B3287		
425 (Disc.)	B3891		
426 (Disc.)	B3891		
426A (Disc.)	N/A		
426AC (Disc.)	N/A		
426AG (Disc.)	N/A		
426C (Disc.)	N/A		
426G (Disc.)	N/A		
427 (Disc.)	N/A		
428 (Disc.)	B3993-10		
429 (Disc.)	B3891		
430 (Disc.)	B3892		
431 (Disc.)	B3393-10 /B3393-10B		
432 (Disc.)	N/A		
433 (Disc.)	N/A		
434 (Disc.)	N/A		
500 (Disc.)	B3264		
506 (Disc.)	B3262		
800	800		
825	825		
825A	825A		

(Disc.) = Discontinued Item

Reference Data

Reference Data - Metric Conversion Chart

To Convert From	To	Multiply By	To Convert From	To	Multiply By
Angle			Length		
degree	radian (rad)	1.745329×10^{-2}	foot (ft)	meter (m)	3.048000×10^{-1}
radian (rad)	degree	$5.729578 \times 10^{+1}$	inch (in)	meter (m)	2.540000×10^{-2}
Area			mil	meter (m)	2.540000×10^{-5}
foot ²	square meter (m ²)	9.290304×10^{-2}	inch (in)	millimeter (mm)	25.40000
inch ²	square meter (m ²)	6.451600×10^{-4}	inch (in)	micrometer (μm)	2.5400×10^4
circular mil	square meter (m ²)	5.067075×10^{-10}	millimeter (mm)	inch (in)	0.0393701
sq. centimeter (cm ²)	square inch (in ²)	1.550003×10^{-1}	meter (m)	foot (ft)	3.280840
square meter (m ²)	foot ²	$1.076391 \times 10^{+1}$	meter (m)	inch (in)	$3.937008 \times 10^{+1}$
square meter (m ²)	inch ²	$1.550003 \times 10^{+3}$	meter (m)	mil	$3.937008 \times 10^{+4}$
square meter (m ²)	circular mil	$1.973525 \times 10^{+9}$	micrometer (μm)	inch (in)	3.937008×10^{-5}
Temperature			Volume		
degree Fahrenheit	degree Celsius	$t^{\circ C} = (t^{\circ F} - 32) / 1.8$	foot ³	cubic meter (m ³)	2.831685×10^{-2}
degree Celsius	degree Fahrenheit	$t^{\circ F} = 1.8 t^{\circ C} + 32$	inch ³	cubic meter (m ³)	1.638706×10^{-5}
Force			cubic centimeter (cm ³)	cubic inch (in ³)	6.102374×10^{-2}
pounds-force (lbf)	newtons (N)	4.448222	cubic meter (m ³)	foot ³	$3.531466 \times 10^{+1}$
Section Properties			cubic meter (m ³)	inch ³	$6.102376 \times 10^{+4}$
section modulus S (in ³)	S (m ³)	1.638706×10^{-5}	gallon (U.S. liquid)	cubic meter (m ³)	3.785412×10^{-3}
moment of inertia I (in ⁴)	I (m ⁴)	4.162314×10^{-7}	Abbreviations		
modulus of elasticity E (psi)	E (Pa)	$6.894757 \times 10^{+3}$	section modulus S (m ³)	S (in ³)	$6.102374 \times 10^{+4}$
			moment of inertia I (m ⁴)	I (in ⁴)	$2.402510 \times 10^{+6}$
			modulus of elasticity E (Pa)	E (psi)	1.450377×10^{-4}

To Convert From	To	Multiply By	Abbreviations	
Bending Moment or Torque			AISC = American Institute of Steel Construction	
lbf•ft	newton meter (N•m)	1.355818	AISI = American Iron & Steel Institute	
lbf•in	newton meter (N•m)	1.129848×10^{-1}	ANSI = American National Standards Institute	
N•m	lbf•ft	7.375621×10^{-1}	ASTM = American Society for Testing & Materials	
N•m	lbf•in	8.850748	AWWA = American Water Works Association	
Mass			Dia. = Diameter	
ounce (avoirdupois)	kilogram (kg)	2.834952×10^{-2}	Ft. = Feet	
pound (avoirdupois)	kilogram (kg)	4.535924×10^{-1}	Ga. = Gauge	
ton (short, 2000 lb)	kilogram (kg)	$9.071847 \times 10^{+2}$	I.D. = Inside Diameter	
ton (long, 2240 lb)	kilogram (kg)	$1.016047 \times 10^{+3}$	In. = Inch	
kilogram (kg)	ounce (avoirdupois)	$3.527396 \times 10^{+1}$	Lbs. = Pounds	
kilogram (kg)	pound (avoirdupois)	2.204622	Max. = Maximum	
kilogram (kg)	ton (short 2000 lb)	1.102311×10^{-3}	Min. = Minimum	
kilogram (kg)	ton (long 2240 lb)	9.842064×10^{-4}	MSS = Manufacturers Standardization Society	
Mass Per Unit Length			NFPA = National Fire Protection Association	
lb/ft	kilogram per meter (kg/m)	1.488164	O.D. = Outside Diameter	
lb/in	kilogram per meter (kg/m)	$1.785797 \times 10^{+1}$	Oz. = Ounces	
kg/m	lb/ft	6.719689×10^{-1}	Pre-Galv. = Pre-galvanized	
kg/m	lb/in	$5.599741 \times 10^{+2}$	psi = Pounds Per Square Inch	
Mass Per Unit Volume			PVC = Polyvinyl Chloride	
lb/ft ³	kilogram per cubic meter (kg/m ³)	$1.601846 \times 10^{+1}$	UL = Underwriters' Laboratories, Inc.	
lb/in ³	kilogram per cubic meter (kg/m ³)	$2.767990 \times 10^{+4}$	UNC = Unified Coarse Threads	
kg/m ³	lb/ft ³	6.242797×10^{-2}	UNC R = Unified Coarse Threads (Rounded Root)	
kg/m ³	lb/in ³	3.612730×10^{-5}	Wt./C = Weight per 100	
lbs/ft ³	lbs/in ³	$1.728000 \times 10^{+3}$	Metric Symbols	
Mass Per Area Unit			cm = centimeter	
lb/ft ²	kilogram per square meter (kg/m ²)	4.882428	kg = kilogram	
kg/m ²	pound per square foot (lb/ft ²)	2.048161×10^{-1}	kN = kilonewton	
Pressure or Stress			m = meter	
lbf/in ² (psi)	pascal (Pa)	$6.894757 \times 10^{+3}$	μm = micrometer	
kip/in ² (ksi)	pascal (Pa)	$6.894757 \times 10^{+6}$	mm = millimeter	
lbf/in ² (psi)	megapascals (MPa)	6.894757×10^{-3}	MPa = megapascal	
pascal (Pa)	pound force per sq. inch (psi)	1.450377×10^{-4}	N = newton	
pascal (Pa)	kip per sq. inch (ksi)	1.450377×10^{-7}	Nm = newton-meter	
megapascals (MPa)	lbf/in ² (psi)	$1.450377 \times 10^{+2}$	Pa = pascal	

Decimals of a Foot

Inch	0"	1"	2"	3"	4"	5"	6"	7"	8"	9"	10"	11"
0	.0000	.0833	.1667	.2500	.3330	.4167	.5000	.5833	.6667	.7500	.8333	.9167
1/16	.0052	.0085	.1719	.2552	.3385	.4219	.5052	.5885	.6719	.7552	.8385	.9219
1/8	.0104	.0938	.1771	.2604	.3438	.4271	.5104	.5938	.6771	.7604	.8438	.9271
3/16	.0156	.0990	.1823	.2656	.3490	.4323	.5156	.5990	.6823	.7656	.8490	.9323
1/4	.0208	.1042	.1875	.2708	.3542	.4375	.5208	.6042	.6875	.7708	.8542	.9375
5/16	.0260	.1094	.1927	.2760	.3594	.4427	.5260	.6094	.6927	.7760	.8594	.9427
3/8	.0313	.1146	.1979	.2812	.3646	.4479	.5313	.6146	.6979	.7813	.8646	.9479
7/16	.0365	.1198	.2031	.2891	.3724	.4557	.5391	.6224	.7057	.7891	.8724	.9557
1/2	.0417	.1250	.2083	.2917	.3750	.4583	.5417	.6250	.7083	.7917	.8750	.9583
9/16	.0469	.1302	.2135	.2969	.3802	.4635	.5469	.6302	.7135	.7969	.8802	.9635
5/8	.0521	.1354	.2188	.3021	.3854	.4688	.5521	.6354	.7188	.8021	.8854	.9688
11/16	.0573	.1406	.2240	.3073	.3906	.4740	.5573	.6406	.7240	.8073	.8906	.9740
3/4	.0625	.1458	.2292	.3125	.3958	.4792	.5625	.6458	.7292	.8125	.8958	.9792
13/16	.0677	.1510	.2344	.3177	.4010	.4844	.5677	.6510	.7344	.8177	.9010	.9844
7/8	.0729	.1563	.2396	.3229	.4063	.4896	.5729	.6563	.7396	.8229	.9063	.9896
15/16	.0781	.1615	.2448	.3281	.4118	.4948	.5781	.6615	.7448	.8221	.9115	.9948

Fractions of a Inch

Fraction	Decimal	Fraction	Decimal
1/32	.0312	17/32	.5312
1/16	.0625	9/16	.5625
3/32	.0937	19/32	.5937
1/8	.1250	5/8	.6250
5/32	.1562	21/32	.6562
3/16	.1875	11/16	.6875
7/32	.2187	23/32	.7187
1/4	.2500	3/4	.7500
9/32	.2812	25/32	.7812
5/16	.3125	13/16	.8125
11/32	.3437	27/32	.8437
3/8	.3750	7/8	.8750
13/32	.4062	29/32	.9062
7/16	.4375	15/16	.9375
15/32	.4687	31/32	.9687
1/2	.5000	1	1.0000

Index

Part No.	Page	Part No.	Page	Part No.	Page
1CBS	22	828	52 & 53	B3140F	30
1NFPA	21	906	57	B3184	39
4A (Disc.)	73 (Disc.)	907	64	B3188	94 & 95
4B	78	909	62	B3188C	94 & 95
4L	74 & 75	910	63	B3198H	25
4LA (Disc.)	76 & 77 (Disc.)	975	65	B3198HCT	25
22	32	980	60 & 61	B3200	92
22L2	33	1000	68 & 69	B3200L	92
23	34	1001	66 & 67	B3205	96
24	35	2002	70	B3205L	96
25	22	3000	46, 71	B3210	100
27B	36	ACB Series	84	B3210L	100
28	37	ACPD Series	83	B3210X	101
28M	38	ACPW Series	82	B3210XL	101
29	40	ATM Series	84	B3211	100
50	90	ATR	96	B3211L	100
51NFPA	89	AWSD Series	79	B3211X	101
56	90	B200	102	B3211XL	101
58	91	B201	102	B3212	98
65	14	B202	102	B3213	97
65XT	14	B202-1	102	B3214	97
66	15	B202-2	102	B3220	99
67SS	16	B501	93	B3228	98
68SS	16	B655	99	B3234	102
69	17	B656	99	B3248	102
69R	18	B2400	31	B3373	29
75	41, 71	B3033	12	B3373C	29
76	42 & 43, 71	B3034	13	DS16 x 2	98
77	44 & 45, 71	B3037	12	FW	104
78	89	B3042T	19	FFW	104
98	72	B3061	90	HHN	103
98B	72	B3064	86	HN	103
99	96	B3065	85	LW	104
109DD	80 & 81	B3066	86	SC228	72
120	26	B3067	87		
120MJ	27	B3068	85		
120RWA	28	B3069E	88		
120W	27	B3069W	88		
130	20	B3088	47		
200	23	B3088S	48		
200C	23	B3088T	47		
200F	23	B3088ST	48		
200H	24	B3092	49		
200S	23	B3093	50		
800	58 & 59	B3100	21		
825	54 & 55	B3140	30		
825A	56	B3140C	30		

Eaton's B-Line Business reserves the right to make changes to the specifications, materials, equipment, prices, or the availability of products at any time without prior notice. While every effort has been made to assure the accuracy of information contained in this catalog at the time of publication, we cannot accept responsibility for inaccuracies resulting from undetected errors or omissions.

U.S. Customer Service Center is staffed Monday through Friday
from 7 a.m. to 5:00 p.m. Central Standard Time.
For more information, visit Eaton.com.

Eaton
509 West Monroe Street
Highland, IL 62249
United States
Phone: (800) 851-7415
Eaton.com/contactus

Cooper Industries Middle East LLC
PO Box 70160
Al Khobar - 31952
Kingdom of Saudi Arabia
Phone: +966 506 395 973
Eaton.com

Eaton
5925 McLaughlin Road
Mississauga, ON L5R 1B8
Canada
Phone: (800) 569-3660
Eaton.com/contactca

Eaton
13201 Dahlia Street
Fontana, CA
United States
Eaton.com/tolco

Eaton
1000 Eaton Boulevard
Cleveland, OH 44122
United States
Eaton.com

B-Line Division
509 West Monroe Street
Highland, IL 62249
Phone: 800-851-7415
Fax: 618-654-1917
Eaton.com

© 2021 Eaton
All Rights Reserved
Printed in USA
Publication No. CA312001EN
April 2021 web (FPS-21)

Eaton is a registered trademark

All other trademarks are property
of their respective owners.

Follow us on social media to get the
latest product and support information.

