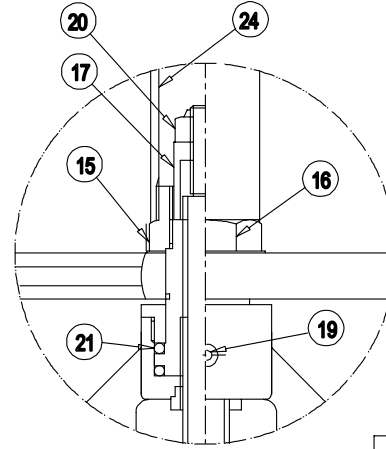


FOR SIZES 6" AND LARGER



UNIT : INCHES

| SIZE | L | D | I | H | W |
|------|-------------|-------|-------|--------|-------|
| 3 | 2.13 (2.00) | 2.83 | 3.94 | 24.72 | 9.84 |
| 4 | 2.13 (2.00) | 3.78 | 4.53 | 30.00 | 11.81 |
| 6 | 2.36 (2.25) | 5.79 | 6.34 | 36.57 | 11.81 |
| 8 | 2.87 (2.75) | 7.75 | 7.48 | 43.11 | 15.75 |
| 10 | 2.87 (2.75) | 9.69 | 8.86 | 49.80 | 15.75 |
| 12 | 3.11 (3.00) | 11.61 | 10.24 | 57.17 | 15.75 |
| 14 | 3.11 (3.00) | 13.35 | 11.26 | 64.76 | 19.69 |
| 16 | 3.62 (3.50) | 15.31 | 12.60 | 70.51 | 21.65 |
| 18 | 3.62 (3.50) | 17.20 | 13.39 | 77.64 | 21.65 |
| 20 | 4.61 (4.50) | 19.09 | 14.69 | 86.14 | 23.62 |
| 24 | 4.61 (4.50) | 23.03 | 16.93 | 98.15 | 23.62 |
| 30 | 5.04 (4.75) | 28.98 | 22.95 | 105.12 | 28.35 |

FNWTM

4120 NE Columbia Blvd
Portland, OR 97211
Phone (503) 287-8383
Fax (503) 281-9677

TITLE/DESCRIPTION: RESILIENT SEAT KNIFE GATE VALVE, POP IN SEATS, BIDIRECTIONAL SHUT-OFF

DATE: 8-9-2005 BY: UNITS: INCHES

SCALE: NONE APP'D: PAGE(S): 1

MODEL: 60R

DWG NO: FNW60R

NOTES:

FILE: 60R_3-30.dwg WT: LOC: PORTLAND

PAGE SIZE: 8.5 x 11L REV: 0 R'DATE:

THIS DRAWING CONTAINS CONFIDENTIAL AND PROPRIETARY INFORMATION OF FNW VALVE AND IS SUBMITTED TO YOU FOR THE LIMITED PURPOSE OF PROVIDING YOU INFORMATION ON PRODUCTS AND SYSTEMS PURCHASED FROM FNW VALVE. BY RECEIVING THIS DOCUMENT, YOU AGREE NOT TO DISCLOSE SUCH INFORMATION TO OTHERS EXCEPT BY WRITTEN PERMISSION OF FNW VALVE.