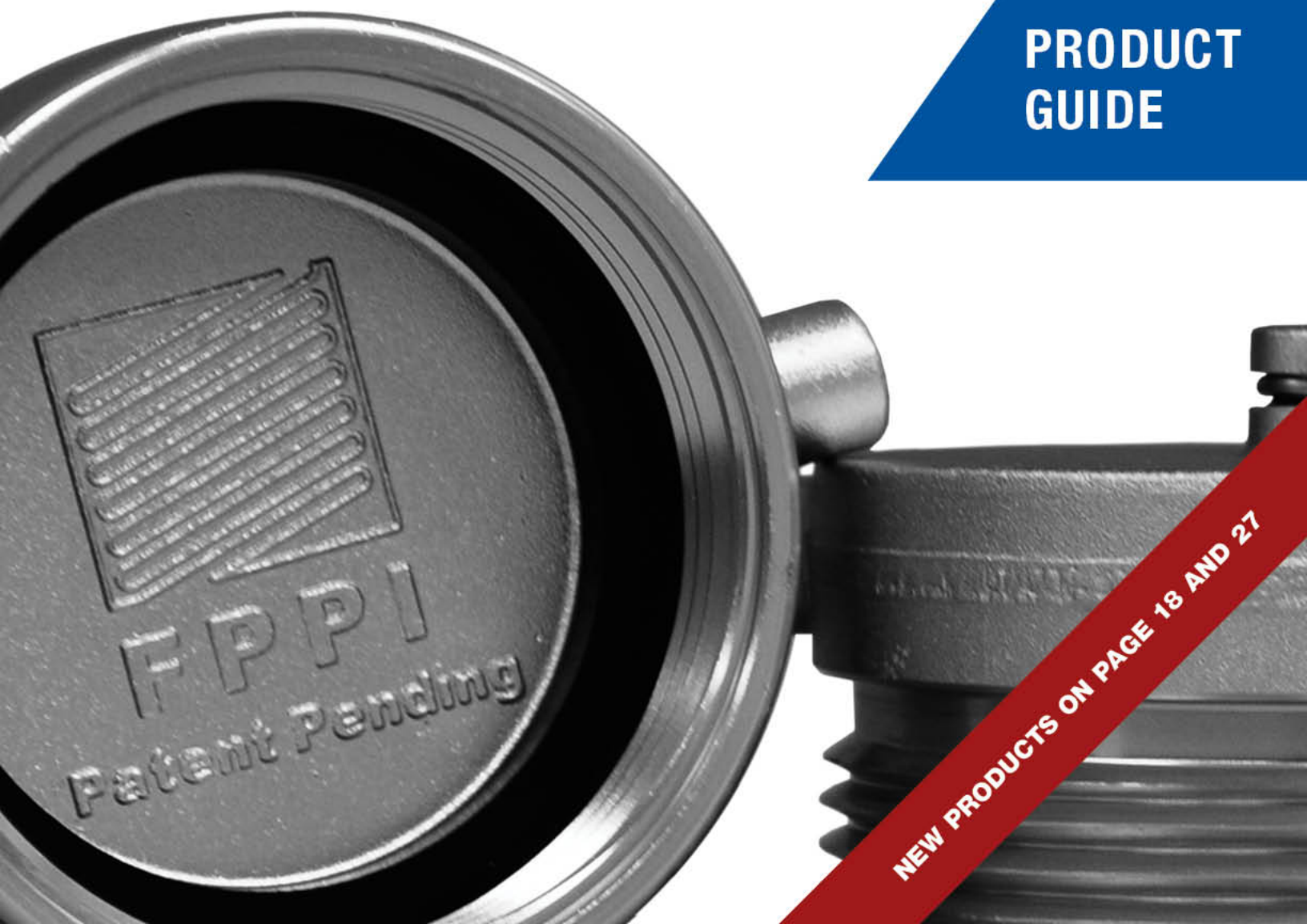


ACCESSORIES BRASS TRIM SEALANTS & LUBRICANTS STANDPIPE EQUIPMENT

INSIST ON FPPI®

PRODUCT
GUIDE



NEW PRODUCTS ON PAGE 18 AND 27



“Insist on FPPI” – Our Commitment

Fire Protection Products, Inc. is the most preferred, trusted and installed brand in the fire sprinkler industry. We have earned and maintain that position by partnering with leading industry distributors to make our products available with a level of service that is unmatched.

When choosing FPPI, you choose a “winning environment.” You can be sure that you will receive products that meet the highest quality standards and are designed specifically for the fire sprinkler industry. Our strategic warehouse locations and our sophisticated inventory management systems provide assurance that you will receive your order promptly – usually in under three days.

We challenge ourselves every day to improve our already high standards. You will experience the results of our “winning environment” every day. – From thoughtfully engineered products designed to fit the unique needs of the fire sprinkler contractor to our friendly and knowledgeable customer service staff who are second to none.

If you have any questions or thoughts, please feel free to contact us directly. Your feedback is valuable and will help us to improve further and reinforce our position as a symbol of strength in the fire protection industry.

Thank you for your business.

Randy Greenslate
President

3198 Lionshead Avenue
Carlsbad, CA 92010
Telephone: + 1 (800) 344-1822
Fax: + 1 (800) 344-3775
Internet: www.fppi.com

Rev. 2016.1

FlangeFit®, GrooveFit®, LubeFit®, PipeFit®, PipeFit AS®, ThreadFit®, TrimFit®, WeldFit® and FPPI® are registered trademarks of Fire Protection Products, Inc., and may not be used without express written permission. “FBC™, FlowGuard Gold®, BlazeMaster®, Caulk&Waik®, Corzan®, and FGG/BM/CZ™” are licensed trademarks of The Lubrizol Corporation or its affiliates. Spears® is a registered trademark of Spears Manufacturing Company. Kydex® is a registered trademark of Cleardex Corporation. This catalog is a copyrighted publication and may not be reproduced in whole or in part without express written permission.

Accessories

Escutcheons

Canopies	4-7
Recessed Coverage Extension	7
Threaded Recessed Escutcheons	7
Wall Plates	8-9
Rod Buttons	9
Kydex® Rings	9
Water Shield	9

Fire Sprinkler Accessories

Alarm Bells	10
Back Box	10
Break Locks	10
Spare Head Cabinets	11
Headguards	11
Sign Chain	11
Identification Signs	12, 13
Identification Decals	13

Hangers/Fasteners

Drop-in Anchors	14
Hex Head Lag Screws	14
Hex Head Machine Bolts	14
Toggle Wings	14
Hex Nuts	15
Rod Couplings	15
Washers	15

Pressure Gauges & Accessories

FPPI Gauge Kits	16
FPPI Gauges	17

Brass Trim

Expansion Tank

Expansion Tank	18
----------------	----

Valves

Butterfly Valves	18
Fire Main Gate Valves (OS&Y)	18
Adjustable Pressure Relief Valve	19
Angle Globe Valve	19
Ball Valve	19
SureTest™ Inspector's Test & Drain Valves	19
Globe Valves	20
Swing Check Valve	20
Swing Check w/Orifice	20
Three-Way Gauge Valve	20

Miscellaneous Brass

Ball Drips, Brass	21
Extension Nipples, Brass	21
Orifice Union	21
Sight Glass	21

Sealants & Lubricants

Sealants & Lubricants

PipeFit® AS Thread Sealant Paste w/PTFE	22
PipeFit® Thread Sealing Paste w/PTFE	22
BlazeMaster® Caulk & Walk®	22
LubeFit® Coupling Grease	23
PipeFit® Paint Markers	23
FPPI® PTFE® Thread Sealing Tape	23
FPPI® High Density PTFE® Tape	23
ThreadFit® Cutting Oil	24
WeldFit® APS Porosity Sealant	24
Wood Handle Brush	24

Gasket & Flange Kits

FlangeFit® Gasket Kits	25
Ring Gaskets	25

Standpipe Equipment

Rack & Reel Hose & Accessories

Gate Valve	26
Fog Nozzles	26
Rack Nipples	26
Replacement Handles	26
Rack & Reel Fire Hose	27

Hose Valves & Accessories

Angle Hose Valves	27
Universal Hose Valve Caps with Chain	27
Adapters	28
Hydrant/Spanner Wrenches	28
Plugs with Chains	29
Caps with Chains	29
Swivel Gaskets	29

Check Valves

Check Valves	30
--------------	----

Fire Department Connections & Accessories

Outlet Manifolds	30
Fire Department Connections	31
Open Snoots	32
Residential FDC	33
Open Snoot Assemblies	33
Check Snoots	34
Replacement Swivel	34
FDC Break Caps	34
Storz Connections & Kits	35
FDC Wall Plates	35

Technical Information

Brass Extension Warning	36
Thread Specifications	37



1-pc Heavy Gauge Steel

Manufactured of 22 ga. chrome plated steel. Available for 1/2" or 3/4" sprinkler heads. Each escutcheon is complete with a "weep" hole for early leak detection.



Part No.	Description	Pack Qty.
01-720-00	1-pc Canopy 1/4" - 1/2" IPS	100
01-722-00	1-pc Canopy 1/4" - 3/4" IPS	100
01-724-00	1-pc Canopy 1/2" - 1/2" IPS	100
01-726-00	1-pc Canopy 1/2" - 3/4" IPS	100
01-728-00	1-pc Canopy 3/4" - 1/2" IPS	100
01-730-00	1-pc Canopy 3/4" - 3/4" IPS	100



1-pc Light Gauge Steel

Features a light weight design of chrome plated steel. Available in 5/8" depth only for 1/2" or 3/4" IPS sprinklers.

Part No.	Description	Pack Qty.
01-700-00	1-pc Lt. Gauge Canopy CP 1/2"	50
01-705-00	1-pc Lt. Gauge Canopy CP 3/4"	50



1-pc Plastic

Manufactured of injection molded plastic. Superior corrosion resistance to steel or aluminum escutcheons. Available in chrome or white finish.

Part No.	Description	Pack Qty.
01-800-00	1-pc Plastic Canopy CP 1/2"	10
01-805-00	1-pc Plastic Canopy WH 1/2"	10



Pendent Steel Cup for 2-pc Canopies

Steel cups for pendent sprinkler installations. Complete installation requires the use of a compatible steel skirt (01-500 series). Triple chrome plated for extended corrosion resistance or powder coating used for white and off-white selections. Available for use with 1/2" or 3/4" IPS sprinklers with 0-3" total adjustment depending on skirt selection.

Part No.	Description	Pack Qty.
01-600-00	Standard Cup CP 1/2"	100
01-602-00	Standard Cup WH 1/2"	100
01-604-00	Standard Cup OW 1/2"	100
01-606-00	Standard Cup BR 1/2"	100
01-620-00	Standard Cup CP 3/4"	100
01-622-00	Standard Cup WH 3/4"	100
01-624-00	Standard Cup OW 3/4"	100
01-626-00	Standard Cup BR 3/4"	100

Standard, Flush and Semi-flush Skirts for Pendent Steel Cup and 2-pc Pendent Steel Cup

Steel skirts are for use with 01-600 series steel cups and are available with several finishes. Three skirt types, pendent, flush and semi-flush allow for several different pendent sprinkler installation choices. White and off-white are powder coat finished for superior corrosion resistance over painted alternatives.

Part No.	Description	Pack Qty.
01-500-00	Standard Skirt CP	100
01-502-00	Standard Skirt WH	100
01-504-00	Standard Skirt OW	100
01-506-00	Standard Skirt BR	100
01-520-00	Flush Skirt CP	20
01-522-00	Flush Skirt WH	20
01-524-00	Flush Skirt OW	200
01-526-00	Flush Skirt BR	200
01-540-00	Semi-Flush Skirt CP	20
01-542-00	Semi-Flush Skirt WH	20
01-544-00	Semi-Flush Skirt OW	200
01-546-00	Semi-Flush Skirt BR	200



2-pc Pendent Steel Cup for Standard, Flush and Semi-flush Skirts

Designed as a replacement cup for typical pendent style escutcheons. Two halves snap together. Eliminates need for sprinkler head removal to replace corroded pendent style sprinkler escutcheons. For use with 01-500 series steel skirts.

Part No.	Description	Pack Qty.
01-650-00	2-pc Cup Only CP 1/2"	100
01-660-00	2-pc Cup Only WH 1/2"	100

2-pc Plastic Pendent Style

Manufactured of injection molded plastic. Features 2-3" adjustment for 1/2" IPS sprinklers. (The cup may be drilled to .99" for use with 3/4" IPS sprinklers.) Superior corrosion resistance to metal alternatives.

Part No.	Description	Pack Qty.
01-850-00	2-pc Plastic Canopy CP 1/2"	12
01-855-00	2-pc Plastic Canopy WH 1/2"	12



2-pc Recessed

Recessed canopies provide a more finished look to the installed sprinkler than the pendent style escutcheon. Suitable as a lower cost substitution for OEM escutcheons if installed according to individual manufacturer's specifications. Available in 1/2" or 3/4" IPS and several finishes. Powder coating is used for black or white finishes. Powder coating provides superior corrosion resistance over painted alternatives. 3/4" adjustment.



Part No.	Description	Pack Qty.
01-400-00	2-pc Rec. Canopy CP 1/2"	200
01-402-00	2-pc Rec. Canopy WH 1/2"	200
01-406-00	2-pc Rec. Canopy BR 1/2"	200
01-408-00	2-pc Rec. Canopy BK 1/2"	200
01-412-00	2-pc Rec. Canopy CP 3/4"	200
01-414-00	2-pc Rec. Canopy WH 3/4"	200
01-418-00	2-pc Rec. Canopy BR 3/4"	200
01-420-00	2-pc Rec. Canopy BK 3/4"	200

2-pc Recessed, Short Skirt

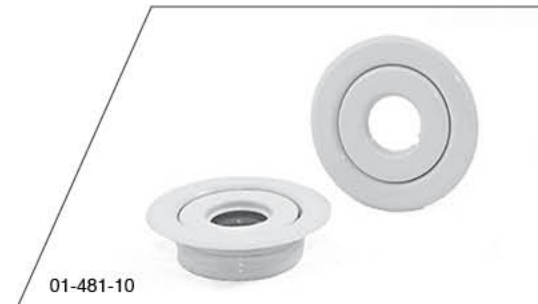
The short skirt recessed escutcheon is similar to the regular recessed canopy. It provides slightly less adjustment for use with residential recessed style sprinklers. Suitable as a low cost substitution for OEM escutcheons if installed according to individual manufacturer's specifications. Available in 1/2" or 3/4" IPS and several finishes. Powder coating is used for white finishes. It provides superior corrosion resistance over painted alternatives. 1/2" adjustment.

Part No.	Description	Pack Qty.
01-450-00	2-pc Rec. Canopy CP 1/2" Short	200
01-452-00	2-pc Rec. Canopy WH 1/2" Short	200
01-456-00	2-pc Rec. Canopy BR 1/2" Short	200
01-470-00	2-pc Rec. Canopy CP 3/4" Short	200
01-472-00	2-pc Rec. Canopy WH 3/4" Short	200

Threaded Recessed Sprinkler Escutcheon

The recessed canopy has been widely accepted as the preferred method of finished sprinkler head installation. This type of canopy is one of the most aesthetically pleasing by making the sprinkler less obtrusive. FPPI's threaded recessed canopies are available in white or chrome. The retainer features a threaded outer edge for fine adjustment and optimal hold of the skirt or outer ring.

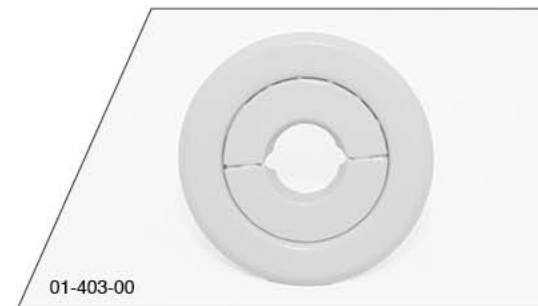
Part No.	Description	Pack Qty.
01-481-00	2pc Rec Canopy 3/4", Chrome, Threaded	200
01-481-10	2pc Rec Canopy 3/4", White, Threaded	200



3-pc Recessed Canopy with Split Retainer

All the features and benefits of our regular recessed canopies. Retainer is two pieces that snap together to accommodate changing out the escutcheon without removing the sprinkler head or shutting down the sprinkler system.

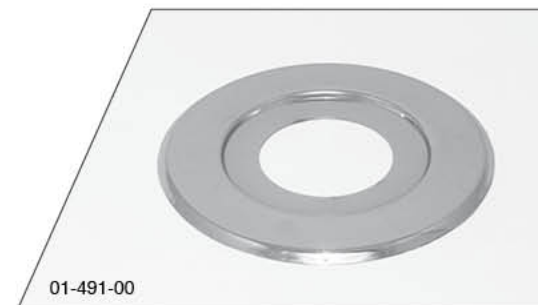
Part No.	Description	Pack Qty.
01-401-00	3pc Rec Canopy 1/2", CP Split	200
01-403-00	3pc Rec Canopy 1/2", WH Split	200



Coverage Plate for Recessed Canopy

When added to the recessed canopy, the coverage plate increases the overall coverage of the recessed canopy flange from approximately 2 7/8" to 5" OD. Use when the hole in ceiling material is oversized to meet new requirement for earthquake standards.

Part No.	Description	Pack Qty.
01-491-00	Coverage Plate CP 5" OD	100
01-493-00	Coverage Plate WH 5" OD	100





Wall Plate, Cast Iron, GALVANIZED

Manufactured of malleable iron and galvanized for superior corrosion resistance. Complete with set screw for secure positioning on installed pipe.

Part No.	Description	Pack Qty.
01-300-00	MI Wall Plate 1" IPS Galv	5
01-301-00	MI Wall Plate 1¼" IPS Galv	5
01-302-00	MI Wall Plate 1½" IPS Galv	5
01-303-00	MI Wall Plate 2" IPS Galv	5
01-304-00	MI Wall Plate 2½" IPS Galv	5
01-305-00	MI Wall Plate 3" IPS Galv	5
01-306-00	MI Wall Plate 4" IPS Galv	5



01-300-00

Wall Plate, Heavy Gauge Steel

Features chrome plated steel construction, hinged, with springs for easy installation and centering on pipe.

Part No.	Description	Pack Qty.
01-200-00	Steel Wall Plate ½"	48
01-201-00	Steel Wall Plate ¾"	48
01-202-00	Steel Wall Plate 1"	48
01-203-00	Steel Wall Plate 1¼"	80
01-204-00	Steel Wall Plate 1½"	60
01-205-00	Steel Wall Plate 2"	60
01-206-00	Steel Wall Plate 2½"	40
01-207-00	Steel Wall Plate 3"	12
01-208-00	Steel Wall Plate 4"	30
01-209-00	Steel Wall Plate 5"	20
01-210-00	Steel Wall Plate 6"	30
01-211-00	Steel Wall Plate 8"	24
01-212-00	Steel Wall Plate 10"	24

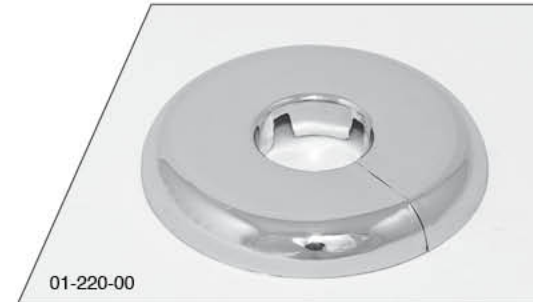


01-202-00

Wall Plate, Plastic (Chrome or White)

Features one piece construction of flexible plastic, split for easy installation around installed pipe. Vacuum metalized chrome finish for enhanced appearance. Will not fall off pipe under normal conditions.

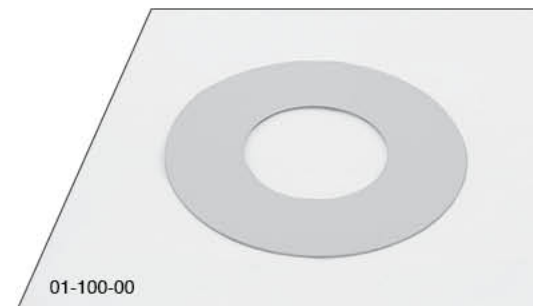
Part No. Chrome	Part No. White	Description	Pack Qty.
01-220-00	01-232-00	Plastic Wall Plate 1/2"	12
01-221-00	01-233-00	Plastic Wall Plate 3/4"	12
01-222-00	01-234-00	Plastic Wall Plate 1"	12
01-223-00	01-235-00	Plastic Wall Plate 1 1/4"	12
01-224-00	01-236-00	Plastic Wall Plate 1 1/2"	12
01-225-00	01-237-00	Plastic Wall Plate 2"	12
01-226-00	01-238-00	Plastic Wall Plate 2 1/2"	12
01-227-00	01-239-00	Plastic Wall Plate 3"	12
01-228-00	01-240-00	Plastic Wall Plate 4"	12
01-229-00	01-241-00	Plastic Wall Plate 5"	6
01-230-00	01-242-00	Plastic Wall Plate 6"	6
01-231-00	01-243-00	Plastic Wall Plate 8"	6



Rod Buttons for 3/8-16 rod, Plastic

Manufactured from injection molded white plastic. Provides a clean installation for all thread rod in interior areas visible to occupants.

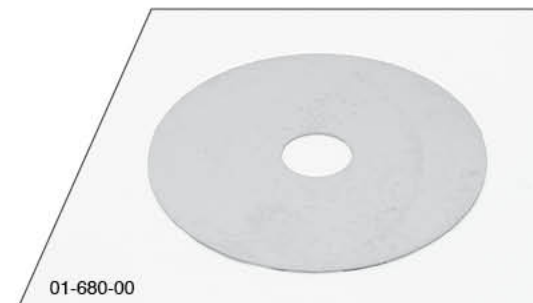
Part No.	Description	Pack Qty.
01-150-00	Plastic Rod Button WH 3/8"	100
01-155-00	Plastic Rod Button CP 3/8"	100



Kydex® Ring

For use as a backing material behind sprinkler escutcheons. 4" diameter covers most oversize holes (including oversize holes in ceiling materials to meet seismic requirements) cut in ceiling material during installation or ceiling material replacement. Kydex® is a fire resistant material made by Cleardex. May be cut to install around an existing sprinkler drop.

Part No.	Description	Pack Qty.
01-100-00	Kydex® Ring	100



Water Shield

Features one piece aluminum construction for 1/2" or 3/4" IPS sprinklers. 4" OD x .030"

Part No.	Description	Pack Qty.
01-680-00	1/2" IPS Water Shield	200
01-682-00	3/4" IPS Water Shield	200



02-450-00

Alarm Bells and Bell Accessories

Alarm bells provide an audible notification of sprinkler events. They are activated by monitoring switch or alarm panel.

Part No.	Description	Pack Qty.
02-450-00	Alarm Bell 10" 120VAC, UL listed	10
02-450-50	Alarm Bell 10" 24VDC, UL Listed	10
02-452-00	Alarm Bell 6" 120VAC, UL listed	20
02-452-50	Alarm Bell 6" 24VDC, UL Listed	20
02-457-00	Bell Guard	20



02-454-00

Back Box for Fire Alarm Bell

Bell back boxes are made from high impact ABS thermoplastic and protect electrical connections to the bell. Corrosion resistant.

Part No.	Description	Pack Qty.
02-454-00	Alarm Bell Back Box, ABS	10



02-410-00

Break Shackle Locks

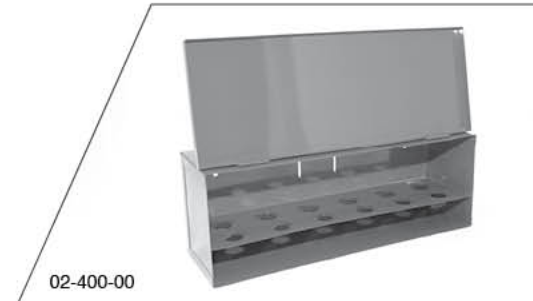
FPPI offers break shackle locks to prevent tampering with controlled valves. Locks are keyed alike to allow easy access to secured valves by authorized personnel.

Part No.	Description	Pack Qty.
02-410-00	Break Shackle Lock #764-40	25
02-411-00	Master Break Lock #500KABRK197	12

Spare Sprinkler Head Cabinets

All spare sprinkler head cabinets are equipped with “knockouts” to accommodate ½” or ¾” sprinkler heads. ESFR head box will accommodate ¾” or 1” IPS sprinklers. Finish: Red enamel.

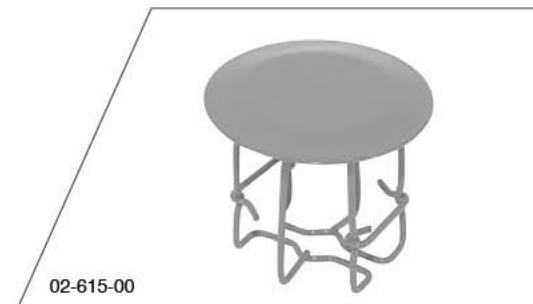
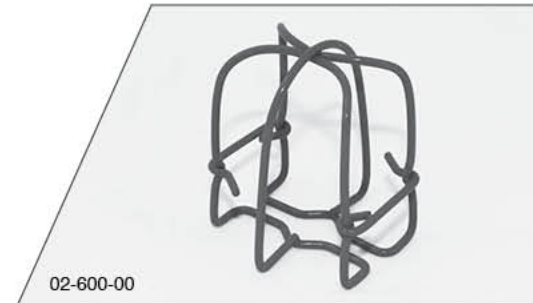
Part No.	Description			Pack Qty.
02-400-00	Spare Head Box	12	Head	20
02-401-00	Spare Head Box	6	Head	25
02-402-00	Spare Head Box	3	Head	40
02-403-00	ESFR Spare Head Box	6	Head	20
02-404-00	Spare Head Box	24	Head	10
02-405-00	Spare Head Box	36	Head	10



Sprinkler Head Guards

FPPI Sprinkler Head Guards provide sprinkler head protection from occasional light contact in warehouses, institutional and other applications where the occupancy exposes the sprinkler head to potential damage from its environment. Sprinkler head guards do not protect sprinkler heads from direct impact or abuse.

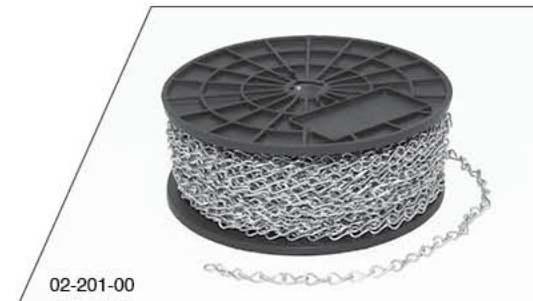
Part No.	Description	Pack Qty.
02-600-00	Headguard 1-pc 2-hk Red	100
02-605-00	Headguard 1-pc 2-hk CP	100
02-610-00	Headguard Recessed 1pc, 2-hk, CP	10
02-612-00	Headguard Recessed 1pc, 2-hk, WH	10
02-615-00	Headguard w/shield 1-pc 2-hk Red	100
02-620-00	Headguard w/shield 1-pc 2-hk CP	100
02-630-00	2-pc Headguard Red ½” IPS	50
02-631-00	2-pc Headguard Red ¾” IPS	25
02-635-00	2-pc Headguard CP ½” IPS	25
02-690-00	Base for 2-pc Red	25
02-691-00	Set Screw for Headguard	1



Sign Chain

Zinc plated for corrosion resistance. Suitable for use in exposed areas.

Part No.	Description	Pack Qty.
02-200-00	#16 Sign Chain, 100' Box	1
02-201-00	#16 Sign Chain, 250' Reel	1





Sprinkler Identification Signs

FPPI's sprinkler identification signs are manufactured of aluminum, painted white then printed with "fade resistant" red ink. Each sign is drilled for easy installation and is plastic coated to prevent scratching of finish during shipment and final installation. Designed in accordance with NFPA requirements.



02-023-00



02-024-00



02-063-00



02-057-00

Part No.	Description		Pack Qty.
02-002-00	Blank Sign w/border	6" x 2"	10
02-006-00	Air Control	6" x 2"	10
02-010-00	Air Line	6" x 2"	10
02-014-00	Alarm Line	6" x 2"	10
02-018-00	Alarm Test	6" x 2"	10
02-022-00	Anti-Freeze System	6" x 2"	10
02-023-00	Anti-Freeze System	5" x 7"	10
02-024-00	Auto Sprinkler Shut-Off	12" x 10"	10
02-026-00	Auxiliary Drain	6" x 2"	10
02-034-00	Control Valve	6" x 2"	10
02-036-00	Control Valve	4" x 6"	10
02-037-00	Control Valve	5" x 7"	10
02-038-00	Control Valve	9" x 7"	10
02-042-00	Drain	6" x 2"	10
02-046-00	Drain Valve	6" x 2"	10
02-049-00	Drum Drip	6" x 2"	10
02-050-00	Dry Standpipe	6" x 2"	10
02-051-00	Fire Dept. Connection	6" x 2"	10
02-052-00	FDC w/ Arrow Label	12" x 10"	10
02-053-00	Excess Pressure Pump	6" x 2"	10
02-054-00	Entire System	6" x 2"	10
02-055-00	Fire Alarm Bell	9" x 7"	10
02-056-00	Fire Alarm Bell Plastic	7" Round	10
02-057-00	911 Fire Alarm Bell Plastic	7" Round	10
02-058-00	F.S. Valve Do Not Close	6" x 2"	10
02-060-00	Fire Sprinkler Riser Inside	6" x 2"	10
02-062-00	From City Main	6" x 2"	10
02-064-00	General Information	9" x 7"	10
02-066-00	In This Building	6" x 2"	10
02-070-00	In This Section	6" x 2"	10
02-074-00	Inspectors Test	6" x 2"	10
02-077-00	Hydraulic System	5" x 7"	10
02-081-00	Hydraulic System	8½" x 11"	10
02-082-00	Main Control	6" x 2"	10
02-083-00	Low Point	6" x 2"	10
02-086-00	Main Drain	6" x 2"	10
02-091-00	Multi-use System, Warning	5" x 7"	10
02-092-00	Normally Closed	6" x 2"	10

Sprinkler Identification Signs (continued)

Part No.	Description		Pack Qty.
02-096-00	Normally Open	6" x 2"	10
02-098-00	Open Sprinkler	6" x 2"	10
02-100-00	Open Sprinkler Control	6" x 2"	10
02-105-00	Open Valve	6" x 2"	10
02-108-00	Sprinkler Control Valve	6" x 2"	10
02-110-00	Sprinkler Drain Valve	6" x 2"	10
02-111-00	Sprinkler Drain Room	6" x 2"	10
02-112-00	Sprinkler Valve Room	6" x 2"	10
02-114-00	Sprinklers Throughout Bldg.	12" x 10"	10
02-116-00	Standpipe System	6" x 2"	10
02-120-00	Test & Drain	6" x 2"	10
02-124-00	Test Valve	6" x 2"	10
02-128-00	Water Motorline	6" x 2"	10
02-132-00	Wet Standpipe	6" x 2"	10
02-133-00	Wet Standpipe Shutoff	6" x 2"	10

Sign Kits

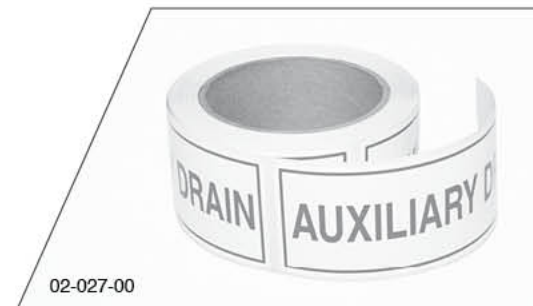
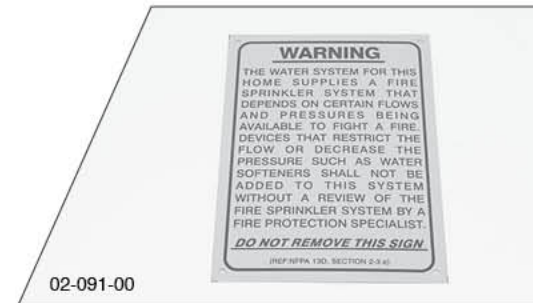
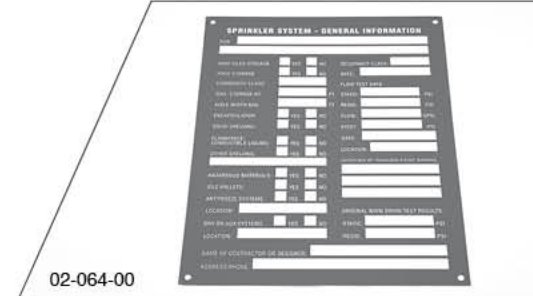
FPPI offers pre-packed sign kits for alarm valve and dry valve installations. Each kits contains a selection of signs that is typically used to indicate the respective installation. The Alarm Valve Sign Kit includes two Inspectors Test signs and one each Auxiliary Drain, Main Drain, Alarm Test, and Control Valve sign. The Dry Valve Sign Kit contains one each of the Inspectors Test, Auxiliary Drain, Main Drain, Alarm Test and Control Valve sign. All signs are 6" x 2" in size.

Part No.	Description		Pack Qty.
02-190-00	Alarm Valve Sign Kit	6" x 2"	1
02-191-00	Dry Valve Sign Kit	6" x 2"	1

Sprinkler Identification Signs, Decals

Printed with "fade resistant" red ink on white vinyl.

Part No.	Description		Pack Qty.
02-027-00	Auxiliary Drain, Decal (100/roll)	6" x 2"	1 roll
02-035-00	Control Valve Decal (100/roll)	6" x 2"	1 roll
02-040-00	Do Not Hang Decal (100/roll)	2 1/4" round	1 roll
02-061-00	Fire Sprinkler Line Decal (100/roll)	6" x 2"	1 roll
02-063-00	Fire Sprinkler Riser Room Decal	6" x 18"	25
02-065-00	General Information Decal	9" x 7"	10
02-075-00	Inspectors Test Decal (100/roll)	6" x 2"	1 roll
02-079-00	Hydraulic System Foil Decal	5" x 7"	10
02-080-00	Hydraulic System Decal	5" x 7"	25
02-087-00	Main Drain Decal (100/roll)	6" x 2"	1 roll
02-090-00	Multi-use System Warning Decal	5" x 7"	25





05-471-00, 05-470-00, 05-472-00

Drop-In Anchors, UL Listed/Setting Tools

Zinc plated for corrosion resistance. UL Listed in accordance with NFPA requirements. Follow installation instructions for proper use.

Part No.	Description	Pack Qty.
05-470-00	Drop-in Anchor 3/8"	50
05-471-00	Drop-in Anchor 1/2"	50
05-472-00	Drop-in Anchor 3/8", Mini	100
05-474-00	Setting Tool 1/2"	1
05-475-00	Setting Tool 3/8"	1
05-476-00	Setting Tool 3/8", Mini	1



05-400-00 - 05-409-00

Lag Screws, Hex Head

Zinc plated for corrosion resistance.

Part No.	Description	Pack Qty.
05-400-00	Hex Lag Screw 1/4" x 2"	100
05-405-00	Hex Lag Screw 3/8" x 2"	50
05-406-00	Hex Lag Screw 3/8" x 2 1/2"	50
05-407-00	Hex Lag Screw 3/8" x 3"	50
05-409-00	Hex Lag Screw 1/2" x 2 1/2"	25
05-410-00	Hex Lag Screw 1/2" x 3"	25



05-435-00 - 05-446-00

Machine Bolts, Hex Head

Zinc plated for corrosion resistance. Ideally suited for all types of flanged connections.

Part No.	Description	Pack Qty.
05-433-00	#2 Bolt, 3/8" x 2"	50
05-435-00	#2 Bolt 1/2" x 2"	25
05-437-00	#2 Bolt 5/8" x 3"	200
05-444-00	#2 Bolt 3/4" x 3 1/2"	100
05-446-00	#2 Bolt 7/8" x 3 3/4"	70

Bolts manufactured to ASTM A307, Grade A



05-145-00

Toggle Wings

Zinc plated for corrosion resistance.

Part No.	Description	Pack Qty.
05-145-00	Toggle Wings 3/8"	50

Nuts, Hex

Zinc plated for corrosion resistance.

Part No.	Description	Pack Qty.
05-450-00	Hex Nut 3/8"	100
05-451-00	Hex Nut 1/2"	100
05-452-00	Hex Nut 5/8"	50
05-453-00	Hex Nut 3/4"	50
05-454-00	Hex Nut 7/8"	25

Hex nuts manufactured to ASTM A194, Grade 2



Rod Couplings, Zinc

Zinc plated for corrosion resistance.

Part No.	Description	Pack Qty.
05-135-00	Rod Coupling 3/8" x 1 1/8"	100
05-136-00	Rod Coupling 3/8" x 1 3/4"	50
05-137-00	Rod Coupling 1/2" x 1 3/4"	50
05-138-00	Rod Coupling 5/8" x 2 1/8"	25
05-139-00	Rod Coupling 3/4" x 2 1/4"	20

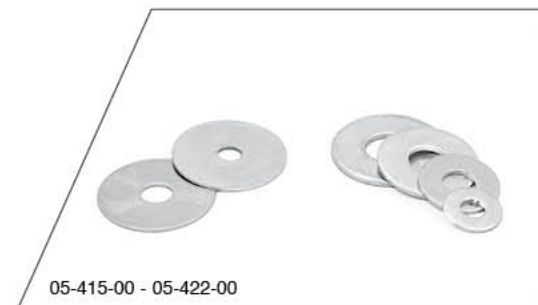
Rod Couplings manufactured to ASTM A563, Grade A



Washers

Zinc plated for corrosion resistance.

Part No.	Description	Pack Qty.
05-415-00	Flat Washer 3/8"	100
05-416-00	Flat Washer 1/2"	100
05-417-00	Flat Washer 5/8"	50
05-418-00	Flat Washer 3/4"	50
05-421-00	Fender Washer 3/8" x 2"	100
05-422-00	Fender Washer 1/2" x 2"	100





11-565-00 - 11-569-00



11-565-00 - 11-569-00

Pressure Gauge Kits

Each kit contains a pressure gauge*, 1/4" 3-way valve*, 1/4" x 4" galvanized pipe nipple, 1/2" x 1/4" bushing and a 1/4" IPS pipe plug, clamshell packed to make sure all components get to the job.

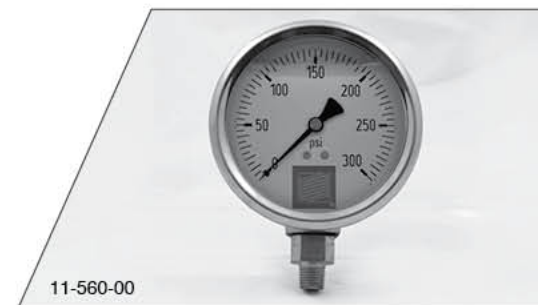
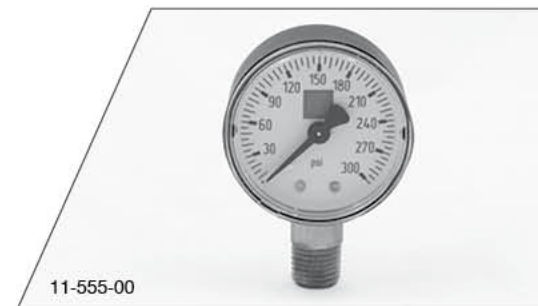
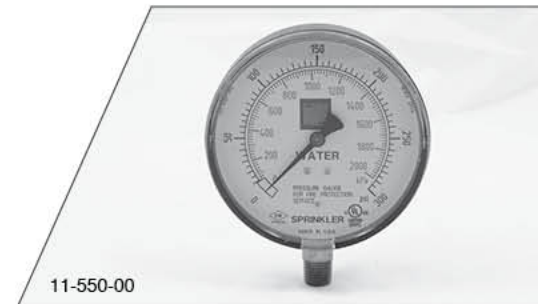
Part No.	Description	Pack Qty.
11-565-00	Gauge Kit, Water	16
11-566-00	Gauge Kit, Air/Water	16
11-567-00	Gauge Kit, Air	16
11-568-00	Gauge Kit, Air w/Retard	16
11-569-00	Gauge Kit, Air-Water, Personalized	16

* Components are UL/ULC/FM listed/approved or both.

FPPI Pressure Gauges and Accessories

Each gauge features an impact and corrosion resistant case made from ABS plastic (liquid filled gauge features a stainless steel case, air/water gauge is available with plastic or stainless steel case). Features phosphor bronze bourdon tube movement with white enameled brass dial face with large numbers for easy reading. Dual scale to 300 PSI/2000Kpa. UL/ULc Listed and FM Approved.

Part No.	Description				Pack Qty.
11-550-00	Water Gauge	0-300	4"	UL/ULc/FM	60
11-551-00	Air Gauge	0-300	4"	UL/ULc/FM	60
11-552-00	Air Gauge w/Retard		4"	UL/ULc/FM	60
11-553-00	Air/Water Gauge	0-300	4"	UL/ULc/FM	60
11-553-10	Air/Water Gauge	0-300	4" (Steel Case)	UL/ULc/FM	60
11-555-00	Resid. Spr. Gauge	0-300	2"		240
11-558-00	Water Gauge Personalized	0-300	4"	UL/ULc/FM	60
11-559-00	Air/Water Gauge Personalized	0-300	4"	UL/ULc/FM	60
11-560-00	Liquid Filled Gauge	0-300	4"		24
11-561-00	Air Gauge w/Retard Personalized	0-300		UL/ULc/FM	60





Expansion Tank

NFPA 13, 13D and 13R requires the use of an expansion chamber on antifreeze systems with backflow preventers. The TrimFit® ET25 is a rubber bladder filled expansion chamber designed for use on antifreeze based fire sprinkler systems.



06-025-00

Part No.	Description	Pack Qty.
06-025-00	Expansion Tank 2½ gal, UL listed	1

TrimFit® Butterfly Valves

TrimFit® Butterfly Valves close slowly to prevent water hammer. They are designed to be installed in any orientation and monitored to signal if the valve is opened or closed. UL Listed and FM Approved for use in a fire sprinkler system.



06-526-00

Part No.	Description	Pack Qty.
06-500-00	Butterfly Valve 1", FNPT, BRZ UL/FM	1
06-502-00	Butterfly Valve 1¼", FNPT, BRZ UL/ULc/FM	1
06-504-00	Butterfly Valve 1½", FNPT, BRZ UL/ULc/FM	1
06-506-00	Butterfly Valve 2", FNPT, BRZ UL/ULc/FM	1
06-508-00	Butterfly Valve 2½", FNPT, BRZ UL/ULc/FM	1
06-522-00	Butterfly Valve 1¼", GRV†, BRZ UL/ULc/FM	1
06-524-00	Butterfly Valve 1½", GRV†, BRZ UL/ULc/FM	1
06-526-00	Butterfly Valve 2", GRV†, BRZ UL/ULc/FM	1
06-528-00	Butterfly Valve 2½", GRV†, BRZ UL/ULc/FM	1

†GrooveFit® Grooved Connection



06-562-00

TrimFit® Ductile Iron Butterfly Valves

Part No.	Description	Pack Qty.
06-558-00	Butterfly Valve 2½", GRV†, DI UL/ULc/FM	1
06-560-00	Butterfly Valve 3", GRV†, DI UL/ULc/FM	1
06-562-00	Butterfly Valve 4", GRV†, DI UL/ULc/FM	1
06-564-00	Butterfly Valve 6", GRV†, DI UL/ULc/FM	1
06-566-00	Butterfly Valve 8", GRV†, DI UL/ULc/FM	1

†GrooveFit® Grooved Connection



06-706-00

TrimFit® OS&Y Fire Main Gate Valves

NEW

TrimFit® OS&Y valves feature a bronze body, cast iron hand wheel, and steel, stainless steel, and brass components for extended service life. OS&Y valves (outside stem and yoke) are perfect for fire sprinkler system monitoring, as they allow for immediate identification if the valve is "OPEN" or "CLOSED". When the valve is open, the stem is visible above the hand wheel. In the closed position, the stem is concealed inside the valve body. Can be fitted with external tamper switches for central station or panel monitoring. UL Listed, FM Approved.

Part No.	Description	Pack Qty.
06-702-00	1" NPT, BRZ, 175CWP UL/FM	12
06-704-00	1¼" NPT, BRZ, 175CWP UL/FM	8
06-706-00	1½" NPT, BRZ, 175CWP UL/FM	6
06-708-00	2" NPT, BRZ, 175CWP UL/FM	4

Adjustable Pressure Relief Valve

Used in “grid” type and residential sprinkler systems or when pressure relief is required. Adjustable from 75 to 175 PSI*.

Part No.	Description	Pack Qty.
06-835-00	Adjustable PRV, ½”	10

(*System pressure gauge must be used for proper installation and adjustment. Valve is NOT preset.)

Angle Globe Valve, Brass UL/ULc Listed 300PSI

FPPI angle globe valves are specifically designed for use in fire sprinkler systems. Typical use is in a “trim” or “drain” application. Each valve is UL/ULc Listed, to 300 PSI.

Part No.	Description	Pack Qty.
06-820-00	Angle Valve ½”	8
06-822-00	Angle Valve ¾”	5
06-824-00	Angle Valve 1”	5
06-826-00	Angle Valve 1¼”	4
06-828-00	Angle Valve 1½”	4
06-830-00	Angle Valve 2”	2

Ball Valves, Forged Brass, UL/ULc Listed, FM Approved

FPPI full port ball valves are manufactured of forged brass. Designed for use as a Trim or Drain valve. FNPT x FNPT UL/ULc Listed and FM Approved.

Part No.	Description	Pack Qty.
06-838-00	Ball Valve ¼” 600 PSI	10
06-840-00	Ball Valve ½” 600 PSI	10
06-842-00	Ball Valve ¾” 600 PSI	10
06-844-00	Ball Valve 1” 600 PSI	8
06-845-00	Ball Valve 1¼” 600 PSI	4
06-846-00	Ball Valve 1½” 600 PSI	4
06-848-00	Ball Valve 2” 300 PSI	2

SureTest™ Inspector’s Test & Drain Valves

The FPPI SureTest™ inspector’s test & drain valve features heavy duty bronze construction and space saving design. When not in the closed position, the valve can be either fully open (full port), or tested through a ½” restricting orifice. The valve features two large and integral sight glasses allowing for maximum visibility when operated. The compact and integrated form allows for installation in both horizontal and vertical orientations.

Part No.	Description		Pack Qty.
06-850-00	Test & Drain Valve, 1”	UL/ULc/FM	1
06-852-00	Test & Drain Valve, 1¼”	UL/ULc/FM	1



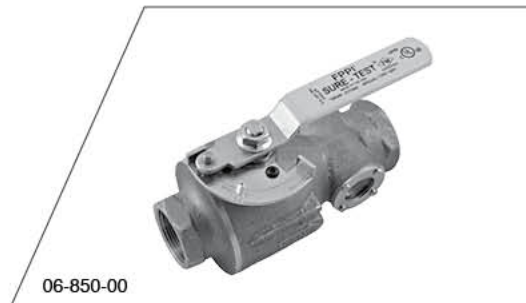
06-804-00



06-804-00



06-844-00



06-850-00



Globe Valves, with Soft Seats, Bronze, UL/ULc Listed, 300 PSI

FPPI globe valves are specifically designed for use in fire sprinkler systems. Typical use is in a "Trim" or "Drain" application. Each valve is UL/ULc Listed to 300 PSI.



06-804-00

Part No.	Description	Pack Qty.
06-798-00	Globe Valve 1/4"	10
06-800-00	Globe Valve 1/2"	10
06-802-00	Globe Valve 3/4"	10
06-804-00	Globe Valve 1"	5
06-806-00	Globe Valve 1 1/4"	5
06-808-00	Globe Valve 1 1/2"	2
06-810-00	Globe Valve 2"	1



06-866-00

Swing Check Valves with Soft Seats, Bronze, (Full Floating Clapper)

FPPI small pipe diameter check valves are made from bronze and feature a full floating clapper assembly with soft seat. Clapper design assures proper clapper seating during valve cycle.

Part No.	Description	Pack Qty.
06-860-00	Swing Check Valve 1/2"	10
06-862-00	Swing Check Valve 3/4"	10
06-864-00	Swing Check Valve 1"	8
06-866-00	Swing Check Valve 1 1/4"	8
06-868-00	Swing Check Valve 1 1/2"	4
06-870-00	Swing Check Valve 2"	3



06-860-50

Check Valve with Orifice for Pump Systems

Check valve with a full-floating clapper and 3/32" orifice. Typically used in pump systems. Provides adequate drop in the sensing line without allowing unnecessary pump starts due to major pressure fluctuations in the 1/2" line.

Part No.	Description	Pack Qty.
06-860-50	Check Valve 1/2" with 3/32" orifice	10



06-600-00

Three-way Gauge Valve, Brass, UL/ULc Listed, 300 PSI

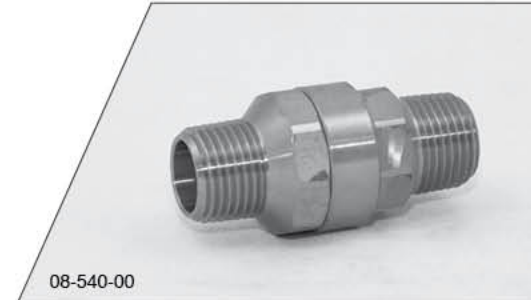
FPPI three-way valves are manufactured from high quality brass alloy and are UL/ULc Listed. Rated to 300 PSI.

Part No.	Description	Pack Qty.
06-600-00	3-Way Gauge Valve, Brass, UL/ULc	10

Ball Drips, Brass

FPPI ball drips feature two piece brass construction. Their designed use is to prevent moisture accumulation on the “dry” side of fire department connections when used in conjunction with an approved check valve.

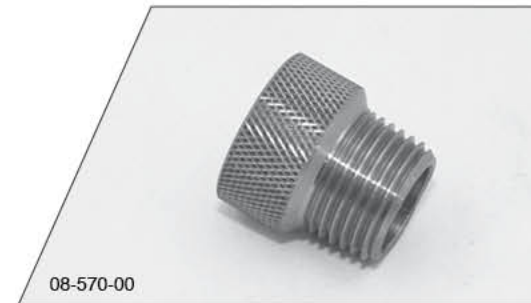
Part No.	Description	Pack Qty.
08-540-00	Ball Drip ½” IPS	10
08-541-00	Ball Drip ¾” IPS	10
08-542-00	Ball Drip ¼” NPT x ½” NPT	10



Extension Nipples, Brass

Designed to be used to correct sprinkler head elevation without removing or re-cutting sprinkler drop. THIS PRODUCT IS COVERED BY ADDITIONAL DISCLAIMERS REGARDING SUITABILITY AND USE. PURCHASER AND USER TAKE FULL RESPONSIBILITY FOR THE USE OF THIS PRODUCT. FPPI WILL NOT BE HELD LIABLE FOR PRODUCT FAILURE OR DAMAGE CAUSED BY MISUSE. SEE INSTALLATION INSTRUCTIONS FOR DETAILS.

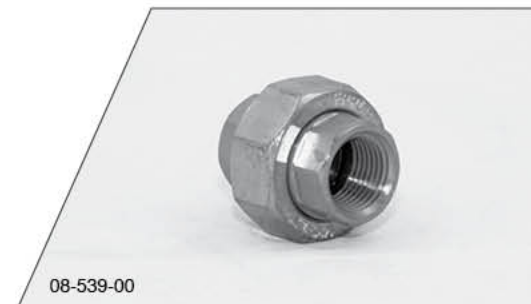
Part No.	Description	Pack Qty.
08-570-00	½” Takeout x ½” IPS Br. Spr. Ext.	100
08-571-00	¾” Takeout x ½” IPS Br. Spr. Ext.	35
08-572-00	1” Takeout x ½” IPS Br. Spr. Ext.	35
08-573-00	1½” Takeout x ½” IPS Br. Spr. Ext.	25
08-574-00	2” Takeout x ½” IPS Br. Spr. Ext.	20
08-575-00	½” Takeout x ¾” IPS Br. Spr. Ext.	25
08-576-00	¾” Takeout x ¾” IPS Br. Spr. Ext.	25



Orifice Union

Orifice unions create a restricting orifice and are commonly used in pressure sensing lines or fire pump systems to provide adequate pressure drop.

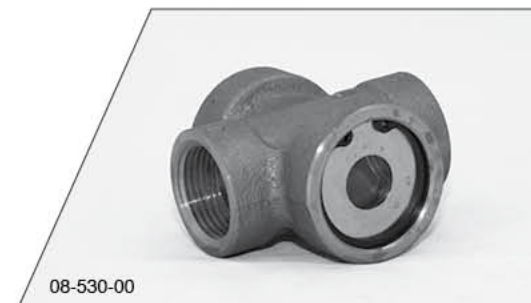
Part No.	Description	Pack Qty.
08-537-00	Orifice Union 1” IPS x ½”	5
08-539-00	Orifice Union ½” IPS x ⅜”	10



Sight Glass, Brass

FPPI sight glasses feature brass construction with Lexan view windows for observation of flow. Typical use is for the sprinkler systems inspectors’ test trim. Available in straight and restricted orifice patterns.

Part No.	Description	Pack Qty.
08-529-00	1” IPS Sight Glass MxF	3
08-530-00	1” IPS Sight Glass ½” Orifice FxF	5
08-531-00	1¼” IPS Sight Glass MxF	4
08-532-00	1” IPS Sight Glass ⅞” Orifice FxF	5
08-533-00	1½” IPS Sight Glass FxF	1
08-535-00	2” IPS Sight Glass FxF	1





03-310-00

PipeFit AS® Thread Sealant Paste with PTFE

Formulated specifically for the fire sprinkler industry. PipeFit AS® cures to a vibration proof polymer shim. DO NOT USE ON CPVC systems, pipe or fittings.

Part No.	Description	Pack Qty.
03-305-00	PipeFit AS® Anaerobic 250 ml	4
03-310-00	PipeFit AS® Anaerobic 750 ml	6
03-313-00	PipeFit AS® Anaerobic 7 L	1



03-135-00

PipeFit® Thread Sealing Paste with PTFE

Formulated as a low cost, high performance thread sealant. PipeFit® contains more PTFE by volume than any other similar product. Suitable for most threaded materials including CPVC.



Part No.	Description	Pack Qty.
03-133-00	PipeFit® 1-pt BIC	24
03-135-00	PipeFit® 1-qt.	12
03-136-00	PipeFit® 1-qt. BIC	12
03-139-00	PipeFit® 5-gl. Pail	1
03-140-00	PipeFit® 55-gl.	Drum

FBC System Compatible™ Program indicates this product has been tested and is monitored on an ongoing basis to assure chemical compatibility with FlowGuard Gold®, BlazeMaster®, and Corzan® pipe and fittings.



03-200-00



Blazemaster® Caulk & Walk® Fire Stop Sealant for CPVC

Blazemaster® Caulk & Walk® fire stop sealant is suitable for all types of pipe penetrations including those by CPVC fire sprinkler systems. Caulk & Walk® is an intumescent, acrylic-based fire stop sealant for fire rated building construction.

Part No.	Description	Pack Qty.
03-200-00	Blazemaster® Caulk & Walk® 10.5 oz.	30

LubeFit® Coupling Grease

Specifically designed for mechanical couplings. LubeFit® will not dry out or freeze in normal applications.

Part No.	Description	Pack Qty.
03-150-00	Lubefit® 1-qt. Coupling Grease	12
03-152-00	Lubefit® 55-gl. Coupling Grease	Drum

FBC System Compatible™ Program indicates this product has been tested and is monitored on an ongoing basis to assure chemical compatibility with FlowGuard Gold®, BlazeMaster®, and Corzan® pipe and fittings.



03-150-00

PipeFit® Paint Markers

Suitable for use on steel or plastic pipe as well as other non-porous materials. Each marker features a “pump” style tip for continuous flow of paint. Marks through grease oil and other contaminants.

Part No.	Description	Pack Qty.
03-170-00	PipeFit® Paint Marker, Yellow	12
03-175-00	PipeFit® Paint Marker, White	12



03-170-00

FPPI® PTFE Pipe Thread Sealing Tape

Made from PTFE and manufactured to MIL Spec T27730A.

Part No.	Description	Pack Qty.
03-120-00	FPPI® PTFE Pipe Tape ½" x 520"	100
03-121-00	FPPI® PTFE Pipe Tape ¾" x 520"	80
03-122-00	FPPI® PTFE Pipe Tape 1" x 520"	300

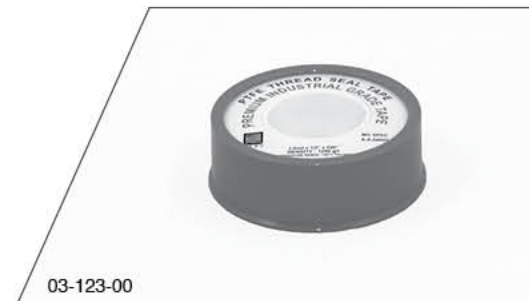


03-120-00 - 03-122-00

FPPI® High Density PTFE Tape

Designed for use in difficult sealing applications. It is ideally suited for anti-freeze filled sprinkler systems which are more subject to thread leakage than water filled systems. Manufactured to meet MIL Spec AA58092. Thickness is 0.09 mm with density of 1.2g/cu cm.

Part No.	Description	Pack Qty.
03-123-00	FPPI® PTFE High Density Tape ½" x 520"	50
03-124-00	FPPI® PTFE High Density Tape ¾" x 520"	40



03-123-00



03-160-00

ThreadFit® DARK – Cutting Oil

ThreadFit® DARK – Cutting Oil extends threading machine die life and helps increase thread quality over any other comparable cutting oil. Special formula provides improved lubrication and cooling during high speed threading operations. Contains 2% active sulphur. See SDS for additional safety information.

Part No.	Description	Pack Qty.
03-160-00	Threadfit® Dark – Cutting Oil 1-gl.	6
03-162-00	Threadfit® Dark – Cutting Oil 5-gl.	1
03-164-00	Threadfit® Dark – Cutting Oil 55-gl.	Drum
03-166-00	Threadfit® Dark – Cutting Oil 275-gl.	Tote



03-160-10



ThreadFit® CLEAR – Cutting Oil

ThreadFit® CLEAR – Cutting Oil expands on ThreadFit®’s proven lubricating properties in a new, light colored formula. ThreadFit®’s CLEAR formulation reduces smoke while offering a pleasant odor, making it the ideal choice for high speed threading applications. ThreadFit® CLEAR is chlorine free, FBC™ System Compatible and Spears® Compatible.

Part No.	Description	Pack Qty.
03-160-10	Threadfit® CLEAR – Cutting Oil 1-gl.	6
03-162-10	Threadfit® CLEAR – Cutting Oil 5-gl.	1
03-164-10	Threadfit® CLEAR – Cutting Oil 55-gl.	Drum
03-166-10	Threadfit® CLEAR – Cutting Oil 275-gl.	Tote



03-350-00

WeldFit APS® Anaerobic Porosity Sealant

WeldFit APS® has been specifically engineered for use as a porosity sealant for most metallic surfaces found in fire sprinkler systems. For sealing “pin hole” leaks or used as part of quality control process in a fabrication operation. See additional information in online technical data sheets. Do not use on CPVC systems, pipe or fittings.

Part No.	Description	Pack Qty.
03-350-00	WeldFit APS® 50ml	10
03-355-00	WeldFit APS® 1L	6



03-190-00

Wood Handle Brush

Features 6” wood handle and natural fiber bristles. Suitable for applying PipeFit®, LubeFit® and other viscous materials.

Part No.	Description	Pack Qty.
03-190-00	Dope Brush 6”	36

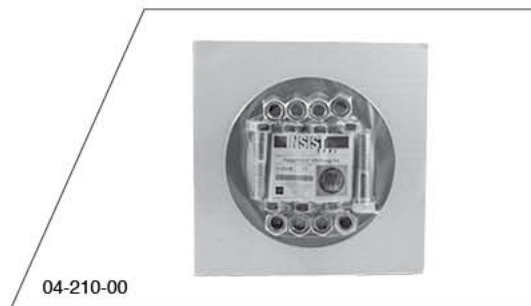
Sealants & Lubricants // Gaskets & Flange Kits

FlangeFit® Bolt and Gasket Kits

FPPI FlangeFit® gasket kits contain a 1/8" thick red rubber ring gasket and a correct number of zinc plated nuts and bolts for the flange size indicated. (Enough to make one flanged connection.)

Part No.	Description	Bolt Size	Pack Qty.
04-203-00	FlangeFit® 1 1/4" Flange Kit	1/2" x 2" (4)	12
04-204-00	FlangeFit® 1 1/2" Flange Kit	1/2" x 2" (4)	12
04-205-00	FlangeFit® 2" Flange Kit	5/8" x 2 1/2" (4)	12
04-206-00	FlangeFit® 2 1/2" Flange Kit	5/8" x 2 3/4" (4)	12
04-207-00	FlangeFit® 3" Flange Kit	5/8" x 2 3/4" (4)	12
04-208-00	FlangeFit® 4" Flange Kit	5/8" x 3" (8)	13
04-209-00	FlangeFit® 5" Flange Kit	3/4" x 3 1/2" (8)	10
04-210-00	FlangeFit® 6" Flange Kit	3/4" x 3 1/2" (8)	10
04-211-00	FlangeFit® 8" Flange Kit	3/4" x 3 1/2" (8)	10
04-212-00	FlangeFit® 10" Flange Kit	7/8" x 3 3/4" (12)	5
04-213-00	FlangeFit® 12" Flange Kit	7/8" x 3 3/4" (12)	5

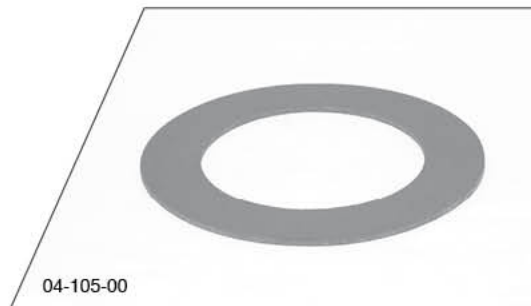
Bolts manufactured to ANSI/ASME B18.2.1 1981
Nuts manufactured to ANSI/ASME B18.2.2 1986



Ring Gaskets, 1/8" Red Rubber

Die cut from 1/8" thick red rubber. Suitable for class 125 flanges.

Part No.	Description	Pack Qty.
04-096-00	Gasket 1 1/4" RR Ring	50
04-097-00	Gasket 1 1/2" RR Ring	50
04-098-00	Gasket 2" RR Ring	50
04-100-00	Gasket 2 1/2" RR Ring	50
04-101-00	Gasket 3" RR Ring	50
04-105-00	Gasket 4" RR Ring	50
04-106-00	Gasket 5" RR Ring	50
04-108-00	Gasket 6" RR Ring	50
04-110-00	Gasket 8" RR Ring	50
04-112-00	Gasket 10" RR Ring	50
04-114-00	Gasket 12" RR Ring	50
04-116-00	Gasket 14" RR Ring	50





Gate Valve, Rough, Brass, UL/ULc/FM

FPPI gate valves are UL/ULc Listed/FM approved. Feature solid brass construction and rated to 300 PSI maximum working pressure.



Part No.	Description		Pack Qty.
07-070-00	2½" FNPT x MNST	Rough Brass	4
07-070-10	2½" FNPT x MNST	Polished Chrome	4
07-074-00	3" FNPT x MNST	Rough Brass	4
07-078-00	2½" FNST Swivel x MNST	Rough Brass	4
07-078-01	2½" FBCT/FNYCORP Swivel x MNST	Rough Brass	4
07-078-02	2½" FQST Swivel x MNST	Rough Brass	4
07-078-03	2½" FONT Swivel x MNST	Rough Brass	4
07-078-04	2½" FPHX Swivel x MNST	Rough Brass	4
07-078-05	2½" FTEM Swivel x MNST	Rough Brass	4
07-078-06	2½" FCLV Swivel x MNST	Rough Brass	4
07-078-07	2½" FDET Swivel x MNST	Rough Brass	4
07-078-08	2½" FCF Swivel x MNST	Rough Brass	4
07-078-09	2½" FNYFD Swivel x MNST	Rough Brass	4
07-078-10	2½" FCIN (NEW) Swivel x MNST	Rough Brass	4
07-078-11	2½" FCIN (OLD) Swivel x MNST	Rough Brass	4
07-078-12	2½" FDAY Swivel x MNST	Rough Brass	4
07-078-13	2½" FRAL Swivel x MNST	Rough Brass	4
07-078-14	2½" FNVS Swivel x MNST	Rough Brass	4
07-078-15	2½" FRCH Swivel x MNST	Rough Brass	4

Fog Nozzles

Suitable for use on Class A and Class B fires. Also suitable for general industrial use, as well as rack and reel assemblies.

Part No.	Description	Pack Qty.
07-500-00	1½" Lexan Fog Nozzle	4
07-502-00	1½" Fog Nozzle UL/FM, Brass	2

Rack Nipples

Placed through a hose rack and screwed into a female angle valve, the rack nipple secures the hose rack to the valve.

Part No.	Description	Pack Qty.
07-934-00	1½" MNPT x MNST Rack Nipple, Brass	5
07-936-00	2½" MNPT x MNST Rack Nipple, Brass	4

Replacement Handles

Part No.	Description	Pack Qty.
07-924-00	1½" Hose Valve Handle w/Nut	1
07-926-00	2½" Hose Valve Handle w/Nut	1

Angle Hose Valves, UL/ULc Listed and FM Approved

FPPI hose valves are UL/ULc Listed and FM Approved. Feature solid brass construction and rated to 300 PSI maximum working pressure.

Part No.	Description		Pack Qty.
07-000-00	2½" FNPT x MNST	Rough Brass	6
07-000-10	2½" FNPT x MNST	Polished Chrome	6
07-001-00	2½" GRV† x MNST	Rough Brass	4
07-001-02	2½" GRV† x MQST	Rough Brass	4
07-001-03	2½" GRV† x MNYFD	Rough Brass	4
07-002-00	2½" FNPT x MBCT/MNYCORP	Rough Brass	6
07-003-00	2½" FNPT x MNYFD	Rough Brass	6
07-004-00	2½" FNPT x MQST	Rough Brass	6
07-005-00	2½" FNPT x MRCH	Rough Brass	6
07-006-00	2½" FNPT x MONT	Rough Brass	6
07-008-00	2½" FNPT x MPHX	Rough Brass	6
07-010-00	2½" FNPT x MTEM	Rough Brass	6
07-012-00	2½" FNPT x MCLV	Rough Brass	6
07-014-00	2½" FNPT x MDET	Rough Brass	6
07-016-00	2½" FNPT x MCF	Rough Brass	6
07-020-00	2½" FNPT x FNPT	Rough Brass	6
07-021-00	2½" GRV† x FNPT	Rough Brass	4
07-022-00	1½" FNPT x MNST	Rough Brass	2
07-024-00	1½" FNPT x FNPT	Rough Brass	2
07-050-00	2½" FNPT x 3" MNST	Rough Brass**	4

†GrooveFit® Grooved Connection **07-050-00 is made up of parts 07-020-00 with 07-970-00 installed.

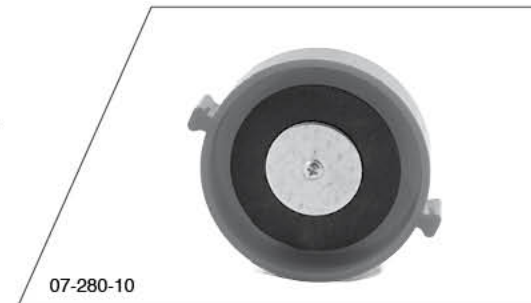


Universal Hose Valve Caps with Chain

NEW

The universal hose valve cap with chain is compatible with most 2½" sized hose valves*. The cap is simply pushed onto the outlet, can be installed without any tools, and is engineered to be removed and put back in place several times without compromising the level of protection it delivers to the threads and against the buildup of debris. NOT SUITABLE FOR PRESSURE TESTING. *Not suitable for 2½" RCH Angle Hose Valve

Part No.	Description	Pack Qty.
07-280-10	Cap w/chain, 2½" Universal RL (ABS)	10



Rack & Reel Fire Hose

Designed for interior use as replacement hose for Class II semiautomatic hose racks and reels. Light weight construction using a thermoplastic polyurethane lining and polyester jacket to prevent mold and mildew. Shipped folded for easy rack installation and complete with solid brass hose fittings. UL/ULc Listed and FM Approved.

Part No.	Description	Pack Qty.
07-600-00	Pin Rack Hose, 1½" x 50' (NST) UL/ULc/FM	4
07-602-00	Pin Rack Hose, 1½" x 75' (NST) UL/ULc/FM	4
07-604-00	Pin Rack Hose, 1½" x 100' (NST) UL/ULc/FM	4
07-602-01	Pin Rack Hose, 1½" x 75' (NPSH) UL/ULc/FM	4
07-604-01	Pin Rack Hose, 1½" x 100' (NPSH) UL/ULc/FM	4





Adapters

Commonly used to change the pipe size, reverse the sex of the fitting or change the thread type. Available in brass or forged aluminum.



Part No.	Description		Pack Qty.
07-418-00	Reducer 2½" FNST x 1½"	MNPSH RB PL	5
07-418-10	Reducer 2½" FNST x 1½"	MNPSH PC PL	5
07-420-00	Reducer 2½" FNST x 1½"	MNST RB PL	5
07-420-10	Reducer 2½" FNST x 1½"	MNST PC PL	5
07-420-20	Reducer 2½" FNST x 1½"	MNST AL PL	5
07-422-00	Reducer 2½" FBCT/FNYCORP x 1½"	MNST RB PL	5
07-423-00	Reducer 2½" FBCT/FNYCORP x 1½"	MNPSH RB PL	5
07-424-00	Reducer 2½" FQST x 1½"	MNST RB PL	5
07-425-00	Reducer 2½" FRCH x 1½"	MNST RB PL	5
07-426-00	Reducer 2½" FONT x 1½"	MNST RB PL	5
07-428-00	Reducer 2½" FPHX x 1½"	MNST RB PL	5
07-430-00	Reducer 2½" FTEM x 1½"	MNST RB PL	5
07-432-00	Reducer 2½" FCLV x 1½"	MNST RB PL	5
07-434-00	Reducer 2½" FDET x 1½"	MNST RB PL	5
07-440-00	Reducer 2½" FNST x ¾"	MGHT RB	5
07-445-00	Reducer 2½" FNST x ¾"	MNPT RB	5
07-950-00	Adapter 1½" NST x 1½"	MxM NPT RB	5
07-955-00	Adapter 2½" NST x 2½"	MxM NPT RB	5
07-960-00	Adapter 1½" FNPT x 1½"	MNST RB	5
07-961-00	Adapter 1½" FNST x 1½"	MNPT RB	5
07-965-00	Adapter 2½" FNPT x 2½"	MNST RB	5
07-970-00	Adapter 2½" MNPT x 3"	MNST RB	2
07-975-00	Adapter 2½" MNST x 2"	MNPT RB	5

PC=Polished Chrome, RB=Rough Brass, PL=Pin Lug, PB=Polished Brass
*For swivel adapters see Open Snoots on page 32

Hydrant/Spanner Wrenches

FPPI spanner wrenches feature all aluminum construction for light weight corrosion resistance. Multiple sizes and styles fit pin lug or rocker type fittings. FPPI's adjustable hydrant wrench can be used on pentagonal hydrant nuts and accommodates pin or rocker lug swivels. The handle is plated steel with a bronze wrench head.

Part No.	Description	Pack Qty.
09-292-00	Combination Spanner Wrench	1
09-293-00	Combination Spanner Wrench 1½"	1
09-294-00	Combination Spanner Wrench 2½"	1
09-295-00	Universal Spanner Wrench	1
09-296-00	Adjustable Hydrant Wrench	1

Plugs with Chains

Available in solid brass, forged aluminum, and red plastic (1½" NST plugs are made from black plastic). Aluminum offers similar mechanical properties to brass and deters theft. Plastic protects threads and prevents the buildup of debris but is not suitable for pressure testing.

Description	RB	ABS*	AL	PC	Pack Qty.
3" NST		07-282-00			10
3" NST			07-370-00		4
2½" NST	07-450-00		07-340-00	07-450-10	5
2½" NST		07-281-00			10
1½" NST	07-470-00	07-297-00	07-360-00		10
2½" RCH	07-450-15				5
2½" BCT/NYCORP	07-452-00				5
2½" QST	07-454-00				5
2½" ONT	07-456-00				5
2½" PHX	07-458-00				5
2½" TEM	07-460-00				5
2½" CLV	07-462-00				5
2½" DET	07-464-00				5

AL=Aluminum, ABS=ABS Plastic (Red or Black), PB=Polished Brass
PC=Polished Chrome, RB=Rough Brass | * Not for pressurized applications

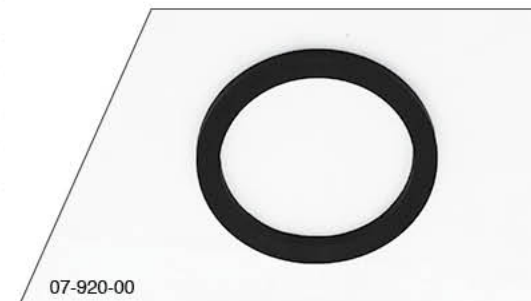


Caps with Chains

Available in solid brass, forged aluminum, chrome, and red plastic. Aluminum offers similar mechanical properties to brass and deters theft. Plastic protects threads and prevents the buildup of debris but is not suitable for pressure testing.

Description	RB	ABS*	AL	PC	Pack Qty.
3" NST	07-200-00		07-330-00		5
2½" NST	07-250-00			07-250-10	5
2½" NST		07-280-00	07-300-00		10
2½" BCT/NYCORP	07-252-00				5
2½" QST	07-254-00				5
2½" RCH	07-255-00				5
2½" ONT	07-256-00				5
2½" PHX	07-258-00				5
2½" TEM	07-260-00				5
2½" CLV	07-262-00				5
2½" DET	07-264-00				5
2½" CF	07-266-00				5
2½" NYFD	07-253-00				5
1½" NST	07-270-00	07-296-00	07-320-00	07-270-10	10
1½" NPSH	07-272-00		07-322-00	07-272-10	10

AL=Aluminum, ABS=ABS Plastic (Red), PB=Polished Brass
PC=Polished Chrome, RB=Rough Brass | * Not for pressurized applications



Swivel Gaskets

Part No.	Description	Pack Qty.
07-918-00	3" Swivel Gasket	10
07-920-00	2½" Swivel Gasket	10
07-922-00	1½" Swivel Gasket	10



09-572-00



09-576-00



09-100-00



09-101-00

Check Valves, Rough Brass UL/ULc Listed and FM Approved

Manufactured of solid brass for use on sprinkler and standpipe systems. Each check valve has a spring loaded clapper and is tapped (plugged) with a 1/2" or 1/4" IPS port for installation of a system accessory such as a ball drip, sprinkler gauge or other approved device. (1/4" NPT on 2 1/2" diameter valve.)

Part No.	Description	Pack Qty.
09-550-00	4" MNPT x GRV [†] UL/ULc/FM	4
09-552-00	4" MNPT x FNPT UL/ULc/FM	4
09-554-00	4" GRV [†] x GRV [†] UL/ULc/FM	4
09-556-00	3" MNPT x GRV [†] UL/ULc/FM	6
09-558-00	3" MNPT x FNPT UL/ULc/FM	6
09-560-00	3" GRV [†] x GRV [†] UL/ULc/FM	6
09-562-00	2 1/2" MNPT x GRV [†] UL/ULc/FM	9
09-564-00	2 1/2" MNPT x FNPT UL/ULc/FM	9
09-566-00	2 1/2" GRV [†] x GRV [†] UL/ULc/FM	9
09-568-00	2" MNPT x GRV [†] UL/ULc/FM	10
09-570-00	2" MNPT x FNPT UL/ULc/FM	10
09-572-00	2" GRV [†] x GRV [†] UL/ULc/FM	10
09-574-00	1 1/2" MNPT x GRV [†] UL/ULc	10
09-575-00	1 1/2" MNPT x FNPT UL/ULc	10
09-576-00	1 1/2" GRV [†] x GRV [†] UL/ULc	10
09-577-00	1 1/2" FNPT x FNPT UL/ULc	10

[†] GrooveFit[®] Grooved Connection

Outlet Manifold, Rough Brass

FPPI outlet manifolds are manufactured of solid brass and typically installed as a roof outlet connection for fire service professionals. Combine with either gate or angle hose valves for flow control. Female NPT or Grooved inlet x NPT or NST outlets.

Part No.	Description	Pack Qty.
09-100-00	4" FNPT x 2 1/2" MNPT x 2 1/2" MNPT Straight	1
09-100-05	4" FNPT x 2 1/2" MNST x 2 1/2" MNST Straight	1
09-101-00	4" GRV [†] x 2 1/2" MNPT x 2 1/2" MNPT Straight	1
09-106-00	6" FNPT x 2 1/2" MNPT x 2 1/2" MNPT Straight	1
09-107-00	6" GRV [†] x 2 1/2" MNPT x 2 1/2" MNPT Straight	1
09-115-00	4" FNPT x 2 1/2" MNPT x 2 1/2" MNPT 90°	1
09-116-00	4" GRV [†] x 2 1/2" MNPT x 2 1/2" MNPT 90°	1

[†] GrooveFit[®] Grooved Connection

Fire Department Connections – Single Clapper Siamese, UL/ULc Listed and FM Approved

FPPI fire department connections are UL Listed and FM Approved in accordance with NFPA. Standard configuration is 4" NPT x 2½" x 2½" NST PL. A limited number of regional threads are available for the pin lugs. Each FDC features solid brass construction and single clapper design.

Rough Brass 2½" Pin Lug Threads	4" FDC Straight (Threaded)	4" FDC Straight (Grooved) [†]	4" FDC 90° (Threaded)	4" FDC 90° (Grooved) [†]
NST	09-000-00	09-070-00	09-020-00	09-090-00
BCT/NYCORP	09-002-00	09-070-01	09-052-00	09-090-01
CF	09-000-08	09-070-08	09-020-08	09-090-08
CIN (NEW)	09-000-10	09-070-10	09-020-10	09-090-10
CIN (OLD)	09-000-11	09-070-11	09-020-11	09-090-11
CLV	09-012-00	09-070-06	09-062-00	09-090-06
Dayton	09-000-12	09-070-12	09-020-12	09-090-12
DET	09-014-00	09-070-07	09-064-00	09-090-07
QST	09-004-00	09-070-02	09-054-00	09-090-02
Nova Scotia	09-000-14	09-070-14	09-020-14	09-090-14
NYFD	09-000-09	09-070-09	09-020-09	09-090-09
ONT	09-006-00	09-070-03	09-056-00	09-090-03
PHX	09-008-00	09-070-04	09-058-00	09-090-04
Raleigh	09-000-13	09-070-13	09-020-13	09-090-13
Richmond	09-000-15	09-070-15	09-020-15	09-090-15
TEM	09-010-00	09-070-05	09-060-00	09-090-05
Polished Chrome				
NST	09-000-01		09-020-01	
Pack Qty.	6	6	6	6

[†]GrooveFit® Grooved Connection



Fire Department Connections – Double Clapper Siamese, UL Listed FM Approved

FPPI fire department connections are UL Listed and FM Approved in accordance with NFPA. Standard configuration is 4" FNPT x 2½" x 2½" NST PL. Each FDC features solid brass and double clapper design.

Part No.	Description	Pack Qty.
Rough Brass		
09-121-00	4" FNPT x 2½" NST Swivel x 2½" NST "STANDPIPE"	Straight 3
09-120-00	4" FNPT x 2½" NST Swivel x 2½" NST "AUTO SPKR"	90° 3
Polished Chrome		
09-121-01	4" FNPT x 2½" NST Swivel x 2½" NST "STANDPIPE"	Straight 3
09-120-01	4" FNPT x 2½" NST Swivel x 2½" NST "AUTO SPKR"	90° 3



Open Snoots

FPPI open snoots feature all brass construction. Standard configuration is NST PL Inlet x NPT Outlet. A limited number of regional threads are available.

Hose Pin Lug x Male Thread

Pin Lug Thread	1½" PL X 1½" MNPT (Rough Brass)	2½" PL X 1½" MNPT (Rough Brass)	2½" PL X 2" MNPT (Rough Brass)	2½" PL X 2½" MNPT (Rough Brass)	2½" PL X 2½" MNPT (Rough Brass)	2½" PL X 3" MNPT (Rough Brass)	2½" PL X 3" MNST (Rough Brass)	3" PL X 3" MNPT (Rough Brass)
NST	09-580-00	09-584-00	09-588-00	09-616-00		09-630-00	09-631-00	09-634-00
BCT/NYCORP		09-584-01	09-588-01		09-616-01	09-630-01		
CF		09-584-08	09-588-08		09-616-08	09-630-08		
CIN (NEW)		09-584-10	09-588-10		09-616-10	09-630-10		
CIN (OLD)		09-584-11	09-588-11		09-616-11	09-630-11		
CLV		09-584-06	09-588-06		09-616-06	09-630-06		
Dayton		09-584-12	09-588-12		09-616-12	09-630-12		
DET		09-584-07	09-588-07		09-616-07	09-630-07		
QST		09-584-02	09-588-02		09-616-02	09-630-02		
Nova Scotia		09-584-14	09-588-14		09-616-14	09-630-14		
NYFD		09-584-09	09-588-09		09-616-09	09-630-09		
ONT		09-584-03	09-588-03		09-616-03	09-630-03		
PHX		09-584-04	09-588-04		09-616-04	09-630-04		
Raleigh		09-584-13	09-588-13		09-616-13	09-630-13		
Richmond		09-584-15	09-588-15		09-616-15	09-630-15		
TEM		09-584-05	09-588-05		09-616-05	09-630-05		
Pack Qty.	4	2	2	2	3	1	1	1

Hose Pin Lug x Female Thread

Pin Lug Thread	1½" PL X 1½" FNPT (Rough Brass)	2½" PL X 1½" FNPT (Rough Brass)	2½" PL X 2" FNPT (Rough Brass)	2½" PL X 2½" FNPT (Rough Brass)	2½" PL X 2½" FNPT (Rough Brass)	2½" PL X 3" FNPT (Rough Brass)	3" PL X 3" FNPT (Rough Brass)	2½" PL X 2½" FNPT (Polished Chrome)
NST	09-582-00	09-586-00	09-590-00	09-600-00		09-632-00	09-636-00	09-600-01
BCT/NYCORP		09-586-01	09-590-01		09-602-00	09-632-01		
CF		09-586-08	09-590-08		09-600-08	09-632-08		
CIN (NEW)		09-586-10	09-590-10		09-600-10	09-632-10		
CIN (OLD)		09-586-11	09-590-11		09-600-11	09-632-11		
CLV		09-586-06	09-590-06		09-612-00	09-632-06		
Dayton		09-586-12	09-590-12		09-600-12	09-632-12		
DET		09-586-07	09-590-07		09-614-00	09-632-07		
QST		09-586-02	09-590-02		09-604-00	09-632-02		
Nova Scotia		09-586-14	09-590-14		09-600-14	09-632-14		
NYFD		09-586-09	09-590-09		09-600-09	09-632-09		
ONT		09-586-03	09-590-03		09-606-00	09-632-03		
PHX		09-586-04	09-590-04		09-608-00	09-632-04		
Raleigh		09-586-13	09-590-13		09-600-13	09-632-13		
Richmond		09-586-15	09-590-15		09-600-15	09-632-15		
TEM		09-586-05	09-590-05		09-610-00	09-632-05		
Pack Qty.	4	2	2	2	3	1	1	3



Fire Department Connections – Single Inlet for Residential Sprinkler System, UL Listed

FPPI single inlet FDC is the only UL Listed FDC of this type and is ideal for residential applications where required. Features integral identification plate (AUTO-SPKR) and comes complete with 1½” NST plug and chain. Predrilled for mounting to finished building surface. Solid brass snoot with forged aluminum, brass or plastic plug.

Part No.	Description	Pack Qty.
09-502-00	FDC 1½” NPT x NST w/BR Plug UL	4
09-502-01	FDC 1½” NPT x NST w/AL Plug UL	4
09-502-02	FDC 1½” NPT x NST w/ABS Plug UL	4



Open Snoot Assembly

Each kit contains one open snoot, 2½” IPS brass wall plate (AUTO- SPKR) and a 2½” plug with chain, boxed and labeled.

Pin Lug Thread	2½” PL X 2½” FNPT (Rough Brass)	2½” PL X 2½” FNPT (Polished Chrome)
	NST	09-650-00
BCT/NYCORP	09-652-00	
CLV	09-662-00	
DET	09-664-00	
QST	09-654-00	
ONT	09-656-00	
PHX	09-658-00	
TEM	09-660-00	
Pack Qty.	4	4

*Additional Regional Thread Kits available with Break Caps.

**Chrome snoot supplied with red wall plate.





09-683-10



09-680-00



09-425-00



09-506-00

Check Snoots

FPPI check snoots are made of brass and typically used on multiple inlet fire department connections to help prevent backflow of water into connected supply lines. A breakable cap or male NST plug should be used to protect threads and prevent debris from entering the waterway. Available all rough brass or with polished brass (pictured to the left) snoot. UL Listed.

Pin Lug Thread	2 1/2" PL X 3" MNPT (Rough Brass)	2 1/2" PL X 3" MNPT (Polished Brass)	2 1/2" PL X 3" FNPT (Rough Brass)	2 1/2" PL X 3" FNPT (Polished Brass)	2 1/2" PL X 3" MNPT (Polished Chrome)
NST	09-682-00	09-683-00	09-680-00	09-681-00	09-683-10
BCT/NYCORP	09-682-01		09-680-01		
CF	09-682-08		09-680-08		
CIN (NEW)	09-682-10		09-680-10		
CIN (OLD)	09-682-11		09-680-11		
CLV	09-682-06		09-680-06		
Dayton	09-682-12		09-680-12		
DET	09-682-07		09-680-07		
QST	09-682-02		09-680-02		
Nova Scotia	09-682-14		09-680-14		
NYFD	09-682-09		09-680-09		
ONT	09-682-03		09-680-03		
PHX	09-682-04		09-680-04		
Raleigh	09-682-13		09-680-13		
Richmond	09-682-15		09-680-15		
TEM	09-682-05		09-680-05		
Pack Qty.	1	1	1	1	1

Replacement Pin Lugs

Replacement for missing FPPI pin lugs only. Installer must verify fit for any other application.

Part No.	Description	Pack Qty.
09-425-00	2 1/2" PL Assembly, NST	4

*Regional Threads Available Upon Request

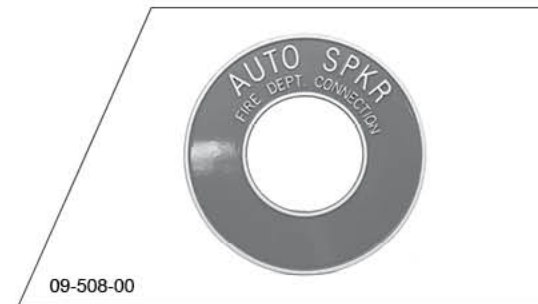
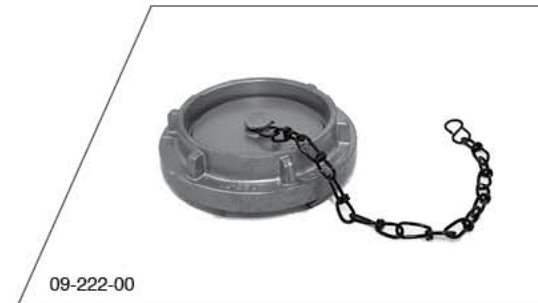
FDC Break Caps

Description	Red	Green	Yellow	Pack Qty.
2 1/2" Metal	09-505-00	09-505-01	09-505-02	25 Pair
2 1/2" Plastic	09-506-00			25 Pair
3" Metal	09-503-00	09-503-01	09-503-02	25 Pair

Storz Type Fire Department Connection

Provides a "quick connection" of large diameter hose by fire service professionals to fire sprinkler or standpipe systems. Conforms with NFPA1963 requirements. Powder coated, forged aluminum. Listed where noted.

Storz	Fire Dept. Connections w/ Caps	Pack Qty.
09-205-00	4" Storz x 4" FNPT w/Cap (UL)	2
09-207-00	5" Storz x 4" FNPT w/Cap (UL)	2
09-215-00	4" Storz x 4" FNPT, 30° w/Cap (UL)	1
09-217-00	5" Storz x 4" FNPT, 30° w/Cap (UL)	1
Storz Kits	Fire Dept. Connections w/ Caps & Sprinkler Wall Plates	Pack Qty.
09-230-00	4" Storz x 4" FNPT w/Cap & Wall Plate (UL)	1
09-234-00	5" Storz x 4" FNPT w/Cap & Wall Plate (UL)	1
09-236-00	4" Storz x 4" FNPT, 30° w/Cap & Wall Plate (UL)	1
09-238-00	5" Storz x 4" FNPT, 30° w/Cap & Wall Plate (UL)	1
09-239-00	5" Storz x 4" FNPT, 30° w/Cap, WP, Ball Drip & Valve	1
Storz	Individual Storz Components	Pack Qty.
09-200-00	4" Storz x 4" FNPT	4
09-202-00	5" Storz x 4" FNPT	4
09-210-00	4" Storz x 4" FNPT w/30° Elbow	1
09-212-00	5" Storz x 4" FNPT w/30° Elbow	1
09-220-00	4" Storz Cap & Chain	4
09-222-00	5" Storz Cap & Chain	4

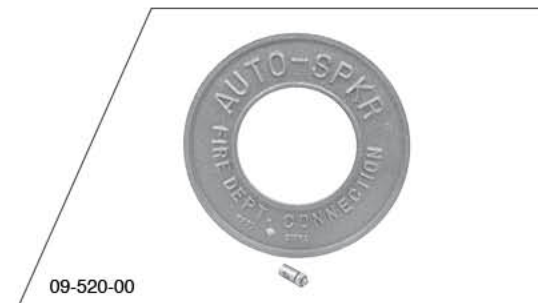


FDC Wall Plates

FPPI's FDC wall plates are available in aluminum, brass, polished chrome or plastic. All signs are forged, cast or molded with raised letters.

Part No.	Description	Pack Qty.
09-507-00	FDC W/P 4" IPS "Auto Spr" Plastic	25
09-508-00	FDC W/P 4" IPS "Auto Spr" AL	12
09-509-00	FDC Sign 4" x 8" "Fire Dept Conn" AL	100
09-510-00	FDC W/P 4" IPS "Auto Spr" RB	5
09-510-10	FDC W/P 4" IPS "Auto Spr" PC	5
09-514-00	FDC W/P 4" IPS "Standpipe" AL	12
09-516-00	FDC W/P 4" IPS "Standpipe-Auto" AL	12
09-520-00	FDC W/P 2½" IPS "Auto Spr" RB	10
09-522-00	FDC W/P 2½" IPS "Auto Spr" AL	20

AL = Aluminum
 RB = Rough Brass
 PC = Polished Chrome





Brass Sprinkler Extension WARNING

THIS PRODUCT IS SOLD AS IS AND WITH ALL FAULTS. PROPER INSTALLATION IS REQUIRED TO AVOID RISK OF FAILURE. WE MAKE NO WARRANTY OF ANY KIND FOR THIS PRODUCT. USE THIS PRODUCT AT YOUR OWN RISK. WE WILL NOT PROVIDE FOR REPLACEMENT OF THIS PRODUCT NOR WILL WE BE RESPONSIBLE FOR ANY DIRECT OR CONSEQUENTIAL DAMAGES ASSOCIATED WITH THE USE OF THIS PRODUCT.

This product should only be used when no other installation option is available and then only installed under controlled and supervised conditions.

The following disclosure should be considered when determining whether you should use brass sprinkler extensions as identified in our full product catalog. The product is manufactured in 1/2" IPS and 3/4" IPS sizes in "take out" lengths of 1/2", 3/4", 1", 1 1/2", and 2".

This product has not been tested nor approved by any agency or authority as being a universally accepted product for the extension of sprinklers. The shortness of both the male and female threads of the *brass sprinkler extensions* require ideal installation conditions to be assured of successful use. Proper installation requires the proper use of tools and an adequate amount of thread sealant as well as mating the extensions with properly threaded components such as the sprinkler and the reducer to which the extension may be installed. You must be able to see and have access to all components to which the extension will be installed. Do not install in "blind" applications. You must also be able to "hold" back the reducer to which the extension is being installed and to "hold" back the extension to which the sprinkler is being installed to prevent over-tightening of each component and to be able to visually inspect the final installations of the extension/sprinkler. Great care must be taken not to over tighten the sprinkler/extension/reducer assembly. Over tightening will cause failure of the brass sprinkler extensions in almost every case. Evidence of failure may not be visible by visual inspection. The absence of apparent leaks during hydro testing may not reveal product failure.

By installing this product you acknowledge that you have read this warning and disclosure and that you understand the statements contained herein and furthermore accept responsibility for use of this product.

Regional Thread Specifications

Abbreviation	Size	Locations Used & Alternate Thread Names	Outside Diameter (Inches)	TPI
NH (NST)	1.5	National Standard	1.9900	9
NPSH	1.5	National Pipe Straight Hose	1.8788	11.5
NST (NH)	2.5	National Standard	3.0686	7.5
CF	2.5	Chicago Fire	2.9900	7.5
BCT/NYCORP	2.5	British Columbia, Toledo, N.Y. Corp., Yonkers, Newark	3.0000	8
NYFD	2.5	New York Fire Dept., Baton Rouge, Lincoln	3.0300	8
QST	2.5	Quebec	3.0310	7
CIN (NEW)	2.5	Cincinnati - New Thread, Morgantown	3.0580	6
PHX	2.5	Phoenix, Pittsburgh	3.0620	6
TEM	2.5	Tempe	3.0750	6
CLV	2.5	Cleveland, Erie, Omaha, Lafayette	3.0780	8
CIN (OLD)	2.5	Cincinnati - Old Thread, Starksville	3.0930	6
ONT	2.5	Canadian Standards Assoc. (CSA), Ontario	3.1250	5
DET	2.5	Detroit	3.1250	7.5
NVS	2.5	Nova Scotia - Zone 1	3.2300	5
DAY	2.5	Dayton, OH	3.2340	6
RCH	2.5	Richmond, VA	3.3120	8
RAL	2.5	Raleigh, NC	3.3400	6
NH (NST)	3	National Standard	3.6300	6

Unmatched value in distribution, attention to detail, and superior customer service. Our mission is simple, “exceed customer expectations and produce more opportunity for their businesses”.



ACCESSORIES

BRASS TRIM

SEALANTS & LUBRICANTS

STANDPIPE EQUIPMENT

FPPI.COM



3198 Lionshead Ave
Carlsbad, CA 92010
P +1 (800) 344 1822
F +1 (800) 344 3775

CUSTOMERSERVICE@FPPI.COM

