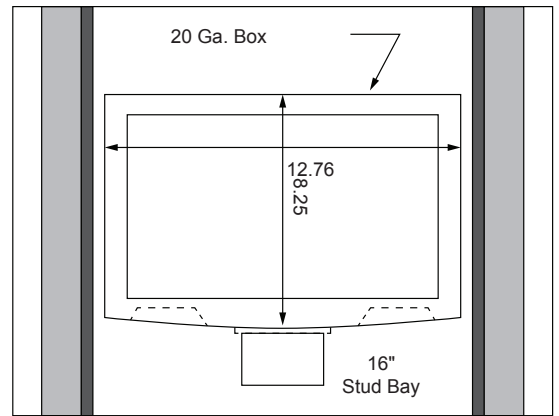
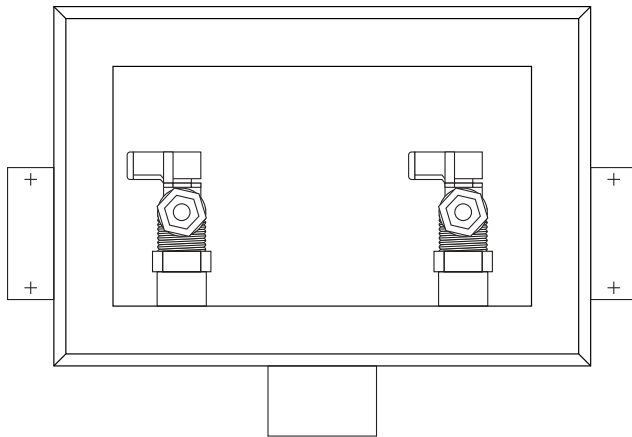




Center Drain White Powder-Coated Steel WMOB - "T" Series Quarter Turn Valves



Specifications:

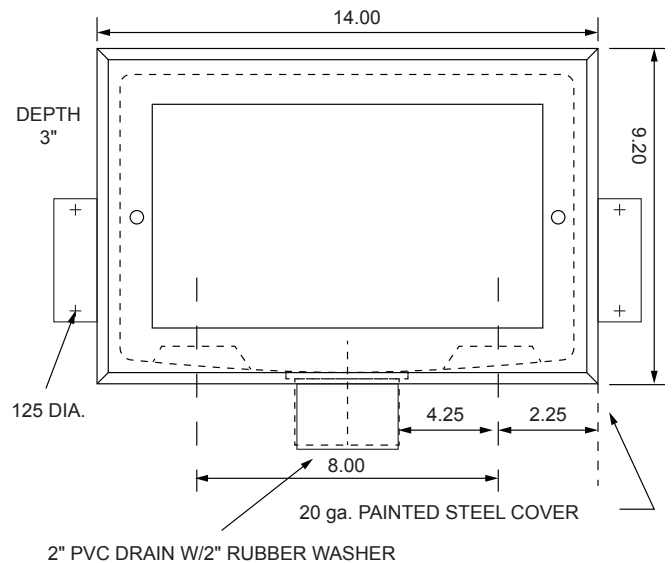
Furnish and install center drain white powder coated cold rolled steel washing machine outlet box with quarter turn valves. Unit shall be Guy Gray product code checked below as manufactured by IPS Corporation.

Box Material:

- White Powder Coated on Cold Rolled Steel Finish
- 20 gauge box and 20 gauge faceplate

Valve and Drain Options:

- Qtr. Turn Valves with 1/2" sweat or CPVC connections furnished
- 2" Slipnut, PVC, or ABS Drain Fittings furnished
- Valves compliant with ASME A112.18.1/CSA B125.1



PRODUCT	DESCRIPTION	MODEL	UNITS/CASE
82139	Domestic Valve, 1/2" Sweat Conx., 2" Slipnut Drain Kit	T200	6
82311	Brass Qtr-turn Valves, 1/2" Sweat Conx., 2" Slipnut Drain Kit	T200QT	6
82135	Domestic Valve, 1/2" Sweat Conx., 2" PVC Drain Fitting	T200TPPVC	6
82145	Brass Qtr-turn Valves, 1/2" CPVC Conx., 2" PVC Drain Fitting	T200TPPCCPVC	6
82353	Brass Qtr-turn Valves, 1/2" Sweat Conx., 2" PVC Drain Fitting	T200TPPVCQT	6
82136	Domestic Valve, 1/2" Sweat Conx., 2" ABS Drain Fitting	T200TPABS	6
82147	Brass Qtr-turn Valves, 1/2" Sweat Conx., 2" ABS Drain Fitting	T200TPABSQT	6



500 Distribution Parkway, Collierville, TN 38017 • Phone: 800-888-8312 • Fax: 901-853-5008 • www.ipscorp.com