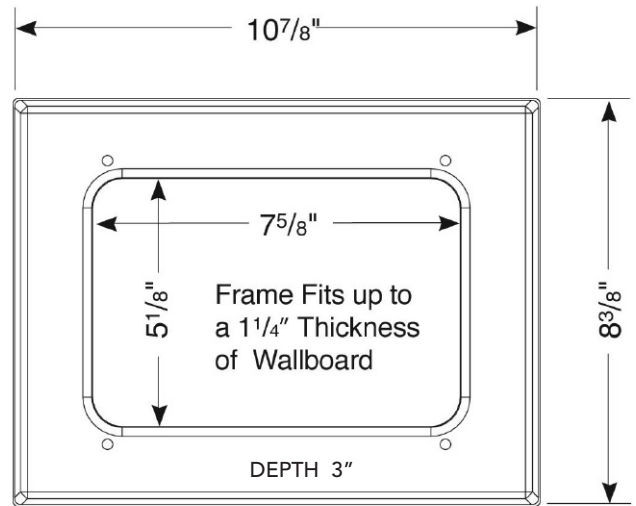
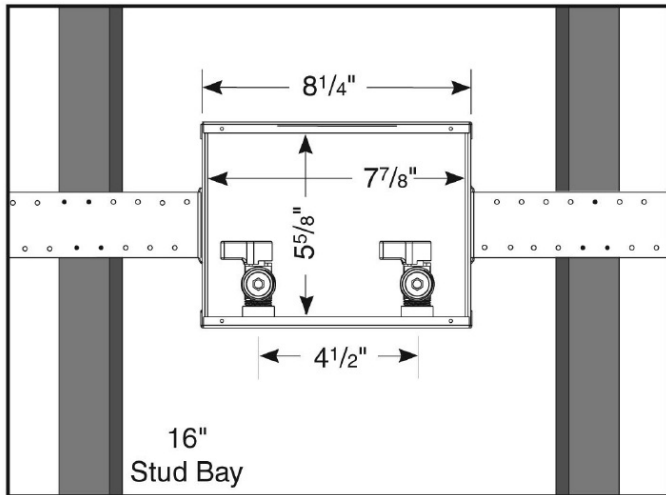


SPECIFICATION SUBMITTAL SHEET



CENTER DRAIN WHITE POWDER COATED WMOB with Quarter Turn Valves



Specifications:

Furnish and install center drain white powder coated metal washing machine outlet box. Unit shall be Guy Gray product code as manufactured by IPS Corporation

Box Material:

White Powder Coat on Cold Rolled Steel Finish
20 gauge box with 20 gauge face plate

Valve & Drain Option:

Top mount Qtr. Turn Valve kit with 1/2" Sweat/MIP or Wirsbo. Kit includes valves, locknuts and o-rings. 2" slipnut drain kit included.

Item #	Product Description	Model #	Quantity
82161	1/2" Qtr Turn Sweat Valve TM Installed, 2" Slipnut Drain Kit	MWB21	5
82162	1/2" Qtr Turn Wirsbo® Top Mount Installed, 2" Slipnut Drain Kit	MWB22	5
86162	1/2" Qtr Turn Sweat Valve TM Installed, Arrester, 2" Slipnut Drain Kit	MWB26	5

