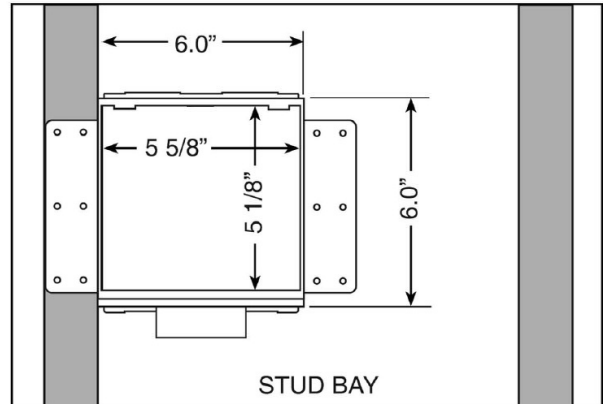
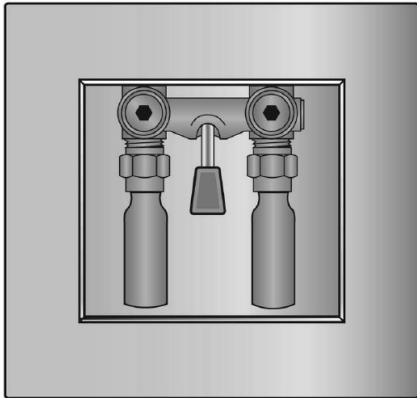


SPECIFICATION SUBMITTAL SHEET



"FR-12" WMOB with Single Lever Valve with Hammer Arresters



Specifications:

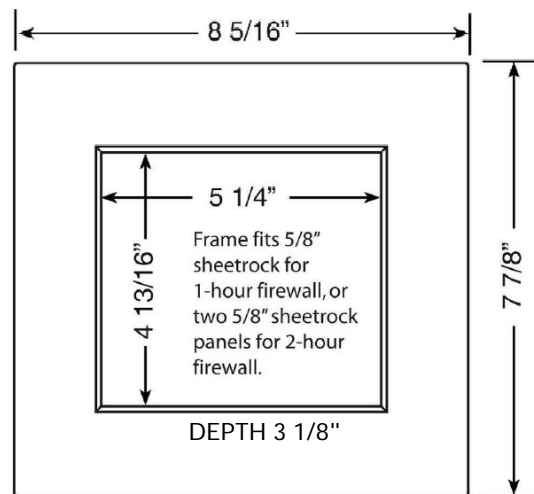
Furnish and install fire rated recessed washine machien outlet box. Unit shall have a single lever valve with integral hammer arresters. Unit shall be Guy Gray product code checked below as manufactured by IPS Corporation.

Box Material:

PVC Resin & Intumescent Pad attached

Valve & Drain Options:

Single Lever Valve with 1/2" MIP/Sweat or PEX connection. Valves comply with ASME A112.18.1. Hammer arresters comply with ASSE 1010.



Item #	Product Description	Model #	Quantity
82379	Single Lever Arrester Valve, 1/2" Sweat Connection	FR12SSHA	5
82380	Single Lever Arrester Valve, 1/2" Sweat Connection, Contractor Pack	FR12SSHACP	10
82381	Single Lever Arrester Valve, 1/2" Pex Connection, Contractor Pack	FR12PSHA	5
82382	Single Lever Arrester Valve, 1/2" Pex Connection, Contractor Pack	FR12PSHACP	10

